



US00D982109S

(12) **United States Design Patent**  
**Wang et al.**

(10) **Patent No.:** **US D982,109 S**  
(45) **Date of Patent:** **\*\* Mar. 28, 2023**

- (54) **GOLF CLUB HEAD**
- (71) Applicant: **Karsten Manufacturing Corporation**,  
Phoenix, AZ (US)
- (72) Inventors: **Calvin S. Wang**, Chandler, AZ (US);  
**David A. Higdon**, Cave Creek, AZ  
(US); **Murphy R. Alexander**,  
Scottsdale, AZ (US)
- (73) Assignee: **Karsten Manufacturing Corporation**,  
Phoenix, AZ (US)
- (\*\*) Term: **15 Years**

- D485,320 S 1/2004 Breier et al.
- D498,276 S 11/2004 Schweigert et al.
- D517,141 S 3/2006 Niwa
- D524,887 S 7/2006 Jones et al.
- D525,328 S 7/2006 Solheim et al.
- D525,329 S 7/2006 Jones et al.
- D531,241 S 10/2006 Hueber
- D532,847 S 11/2006 Rollinson
- D535,712 S 1/2007 Torossian
- D548,294 S 8/2007 Nguyen et al.
- D565,678 S 4/2008 Cameron
- D566,212 S 4/2008 Bardha
- D571,877 S 6/2008 Jones et al.
- D571,878 S 6/2008 Jones et al.
- D574,906 S 8/2008 Jones et al.

(Continued)

- (21) Appl. No.: **29/724,098**
- (22) Filed: **Feb. 12, 2020**
- (51) **LOC (14) Cl.** ..... **21-02**
- (52) **U.S. Cl.**  
USPC ..... **D21/743**
- (58) **Field of Classification Search**  
USPC ..... D21/736-746  
CPC ..... A63B 53/00; A63B 53/04; A63B 53/007;  
A63B 53/065; A63B 53/0487; A63B  
60/00; A63B 60/46  
See application file for complete search history.

**OTHER PUBLICATIONS**

Ping putters google search; google.com; Jun. 7, 2022.\*  
<https://ping.com/en-us/clubs/putters/sigma-g> ; Jun. 7, 2022.\*  
<https://ping.com/en-us/clubs/putters/ping-2021> ; Jun. 7, 2022.\*

*Primary Examiner* — Mitchell I. Siegel

(57) **CLAIM**

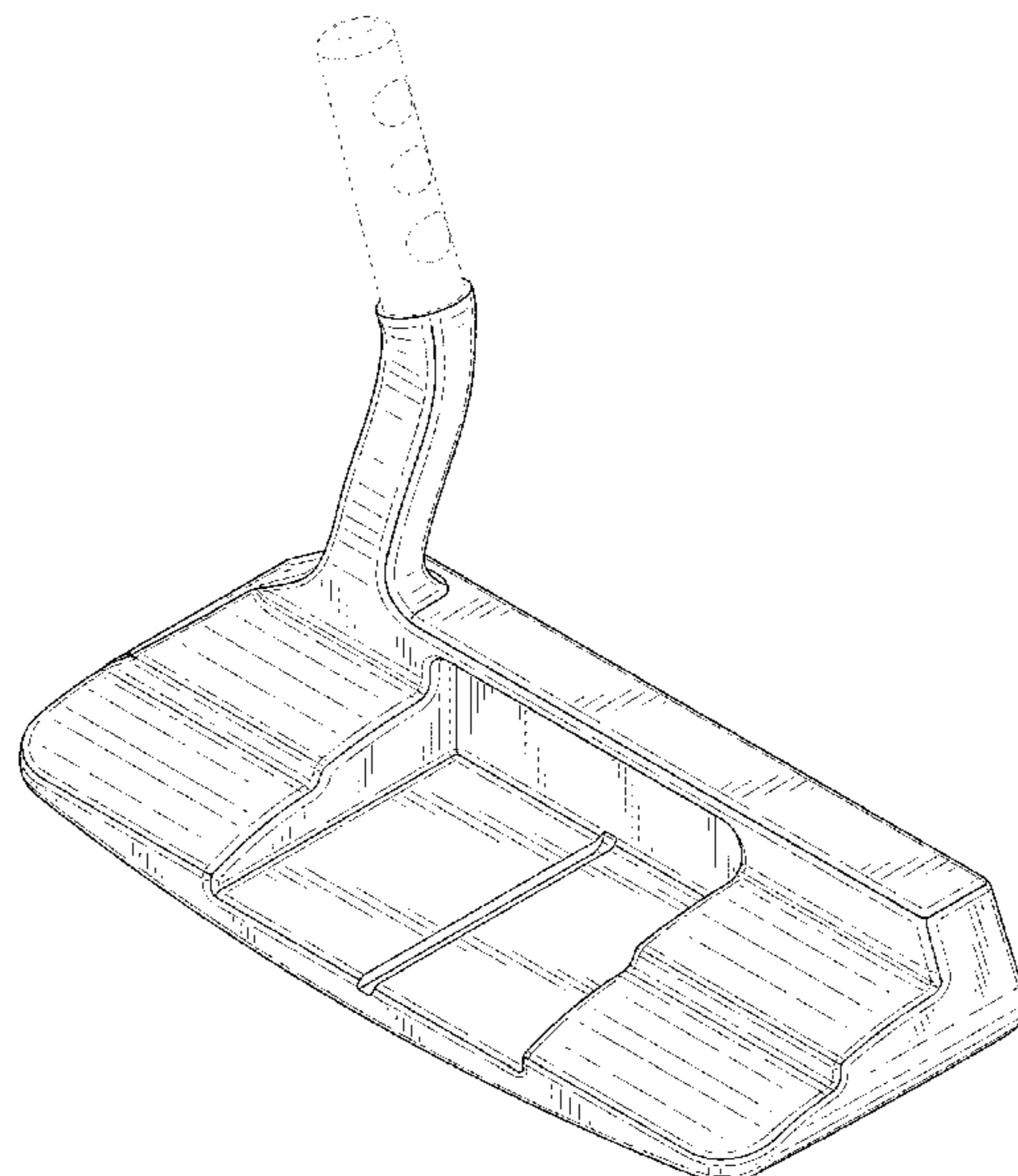
The ornamental design for a golf club head, as shown and described.

**DESCRIPTION**

FIG. 1 is a top perspective view of a golf club head;  
FIG. 2 is a bottom perspective view of the golf club head of FIG. 1;  
FIG. 3 is a top view of the golf club head of FIG. 1;  
FIG. 4 is a bottom view of the golf club head of FIG. 1;  
FIG. 5 is a front view of the golf club head of FIG. 1;  
FIG. 6 is a rear view of the golf club head of FIG. 1;  
FIG. 7 is a heel view of the golf club head of FIG. 1; and,  
FIG. 8 is a toe view of the golf club head of FIG. 1.  
The broken lines shown on the drawings form no part of the claimed design.

**1 Claim, 7 Drawing Sheets**

- (56) **References Cited**  
U.S. PATENT DOCUMENTS  
D207,227 S 3/1967 Solheim  
D228,930 S 10/1973 Leigh  
D239,951 S 5/1976 Carrier  
D334,959 S 4/1993 Iinuma et al.  
D360,670 S 7/1995 Nilsson  
D363,101 S 10/1995 Sturm  
D379,392 S 5/1997 Fehrer  
D380,515 S 7/1997 Fabbri, Jr. et al.  
D394,689 S \* 5/1998 Sheets ..... D21/743  
D402,721 S 12/1998 Gurrola  
D483,823 S 12/2003 Swist



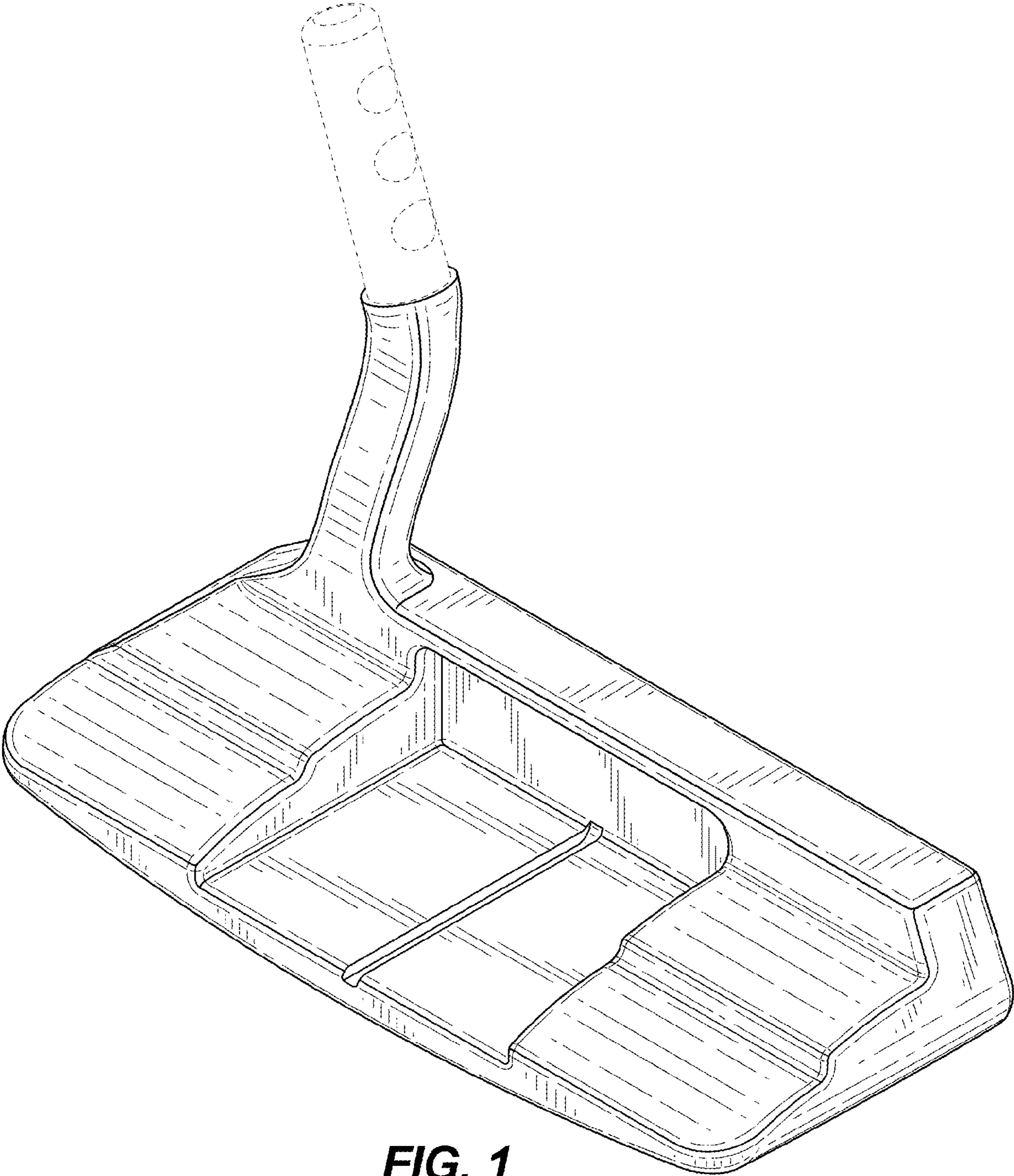
(56)

**References Cited**

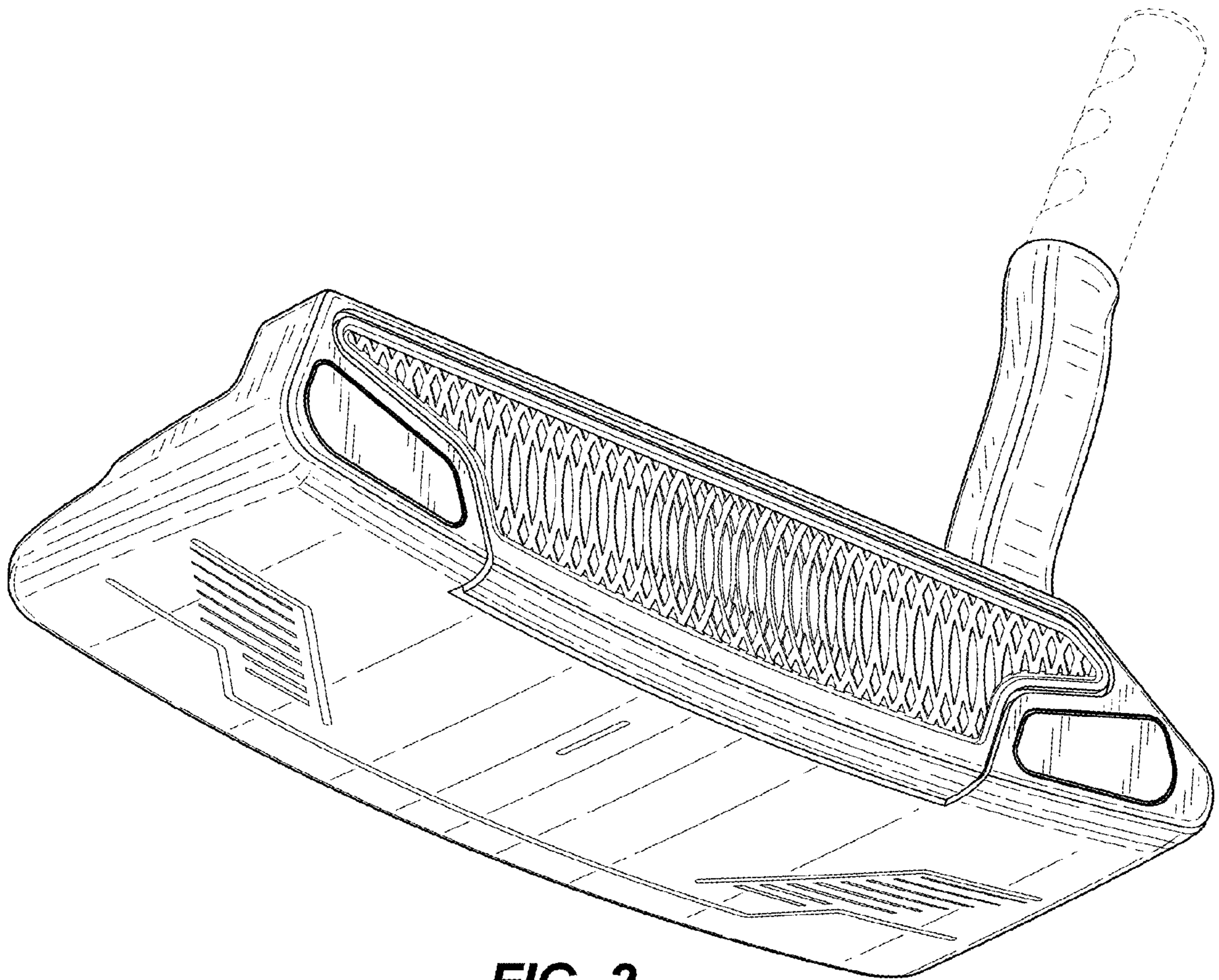
U.S. PATENT DOCUMENTS

D574,909	S	8/2008	Jones et al.	
D574,911	S	8/2008	Jones et al.	
D579,505	S	10/2008	Jones	
D583,887	S *	12/2008	Cameron .....	D21/743
D590,462	S	4/2009	Hettinger et al.	
D599,423	S	9/2009	Serrano et al.	
D638,892	S *	5/2011	Hettinger .....	D21/743
D650,456	S	12/2011	Tang et al.	
D688,339	S *	8/2013	Hilton .....	D21/736
D689,574	S *	9/2013	Rollinson .....	D21/743
D702,782	S	4/2014	Wempe et al.	
9,033,812	B2	5/2015	Solheim et al.	
D763,980	S	8/2016	Radke	
D784,468	S *	4/2017	Rollinson .....	D21/743
D797,220	S *	9/2017	Serrano .....	D21/743
D837,315	S *	1/2019	Rollinson .....	D21/743
D852,301	S *	6/2019	Serrano .....	D21/743
D857,819	S	8/2019	Wang et al.	
D859,544	S	9/2019	Wang et al.	
D865,090	S *	10/2019	Rollinson .....	D21/743
D907,147	S *	1/2021	Agrella .....	D21/743
D912,176	S *	3/2021	Toulon .....	D21/743
D929,519	S *	8/2021	Agrella .....	D21/744

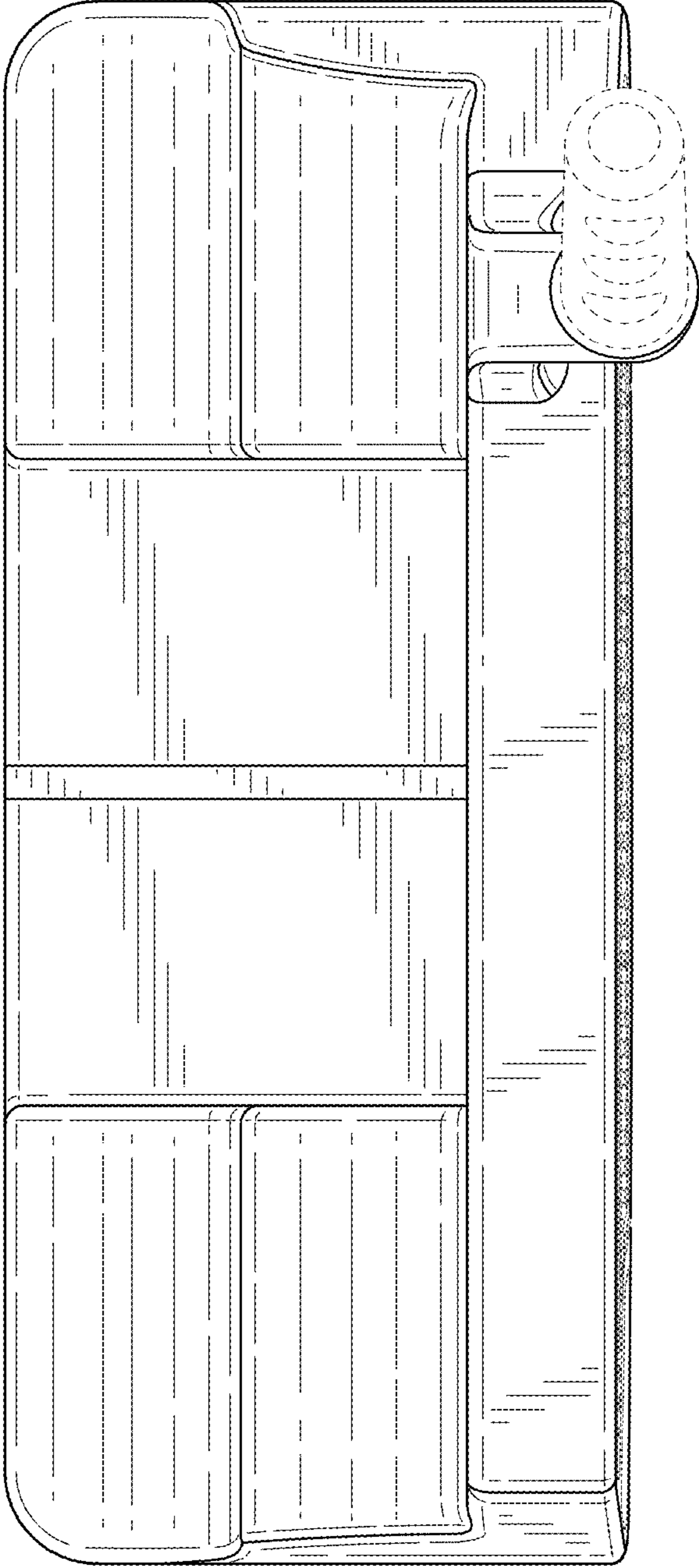
\* cited by examiner



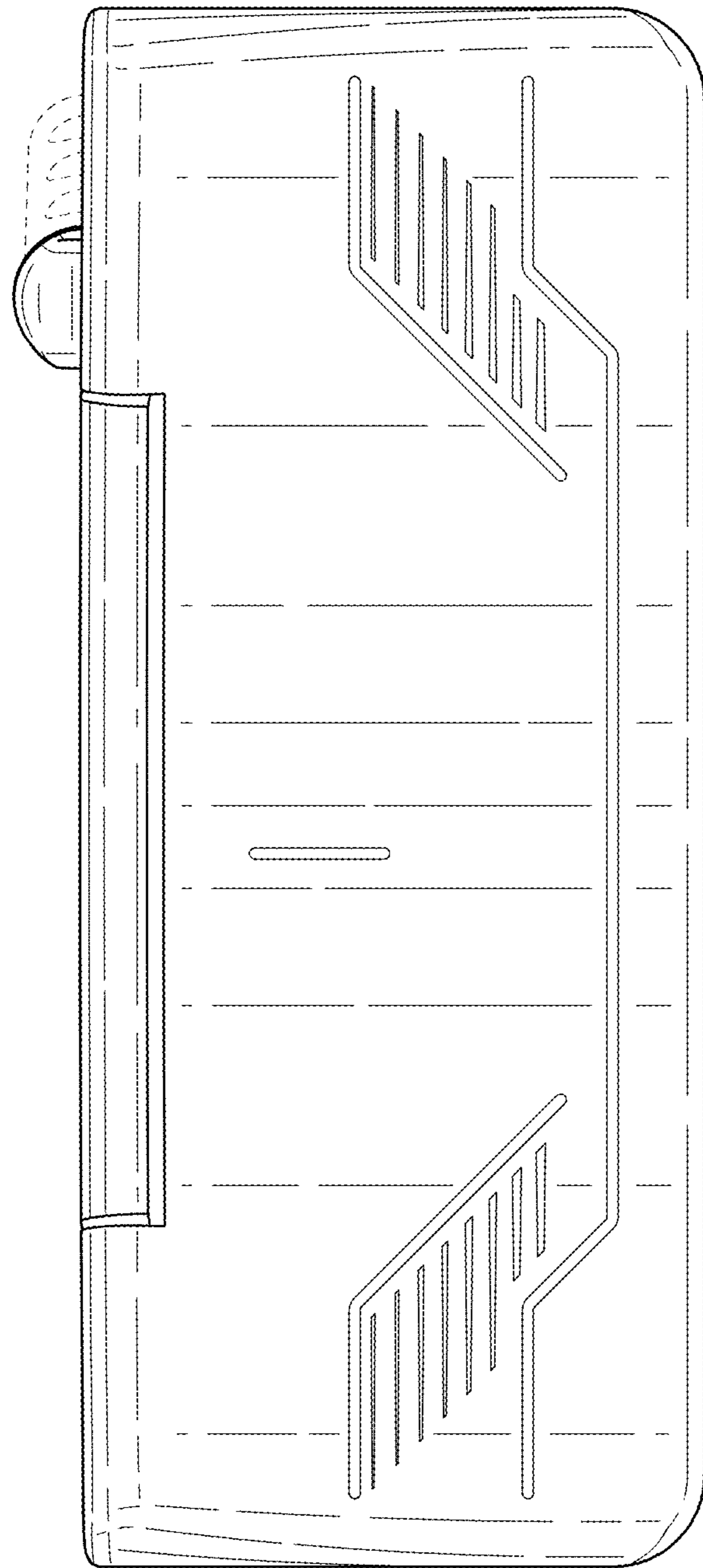
**FIG. 1**



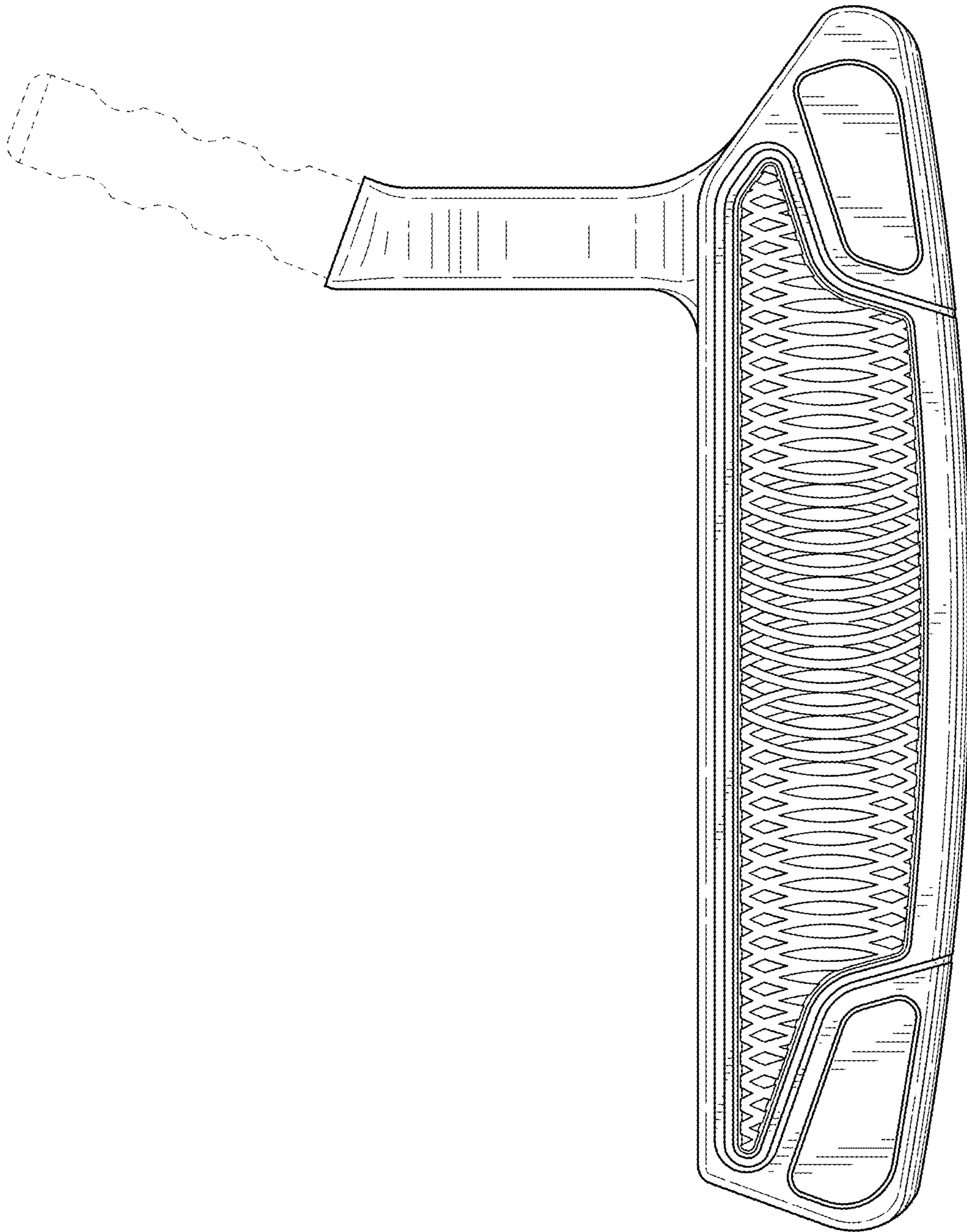
**FIG. 2**



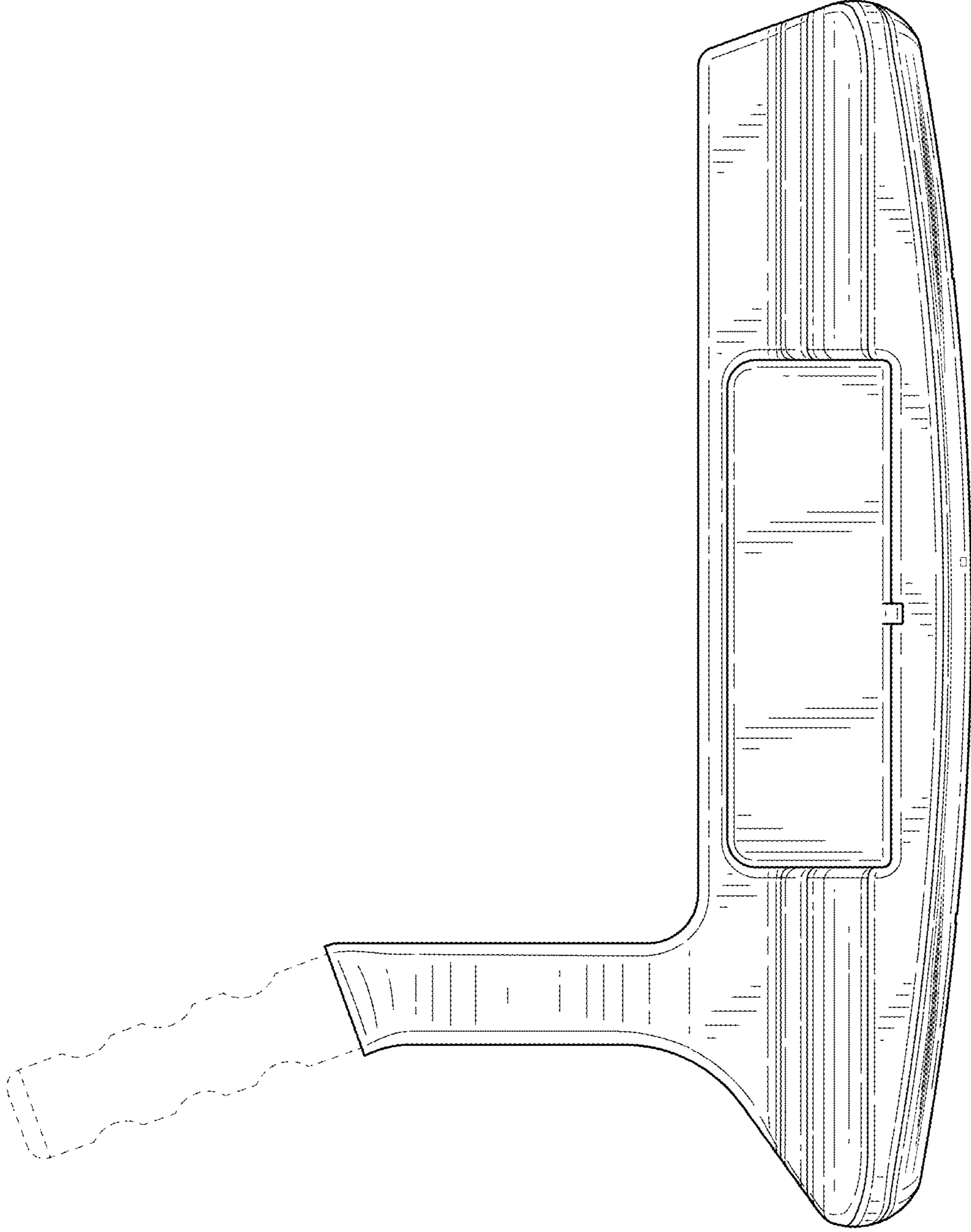
**FIG. 3**



**FIG. 4**

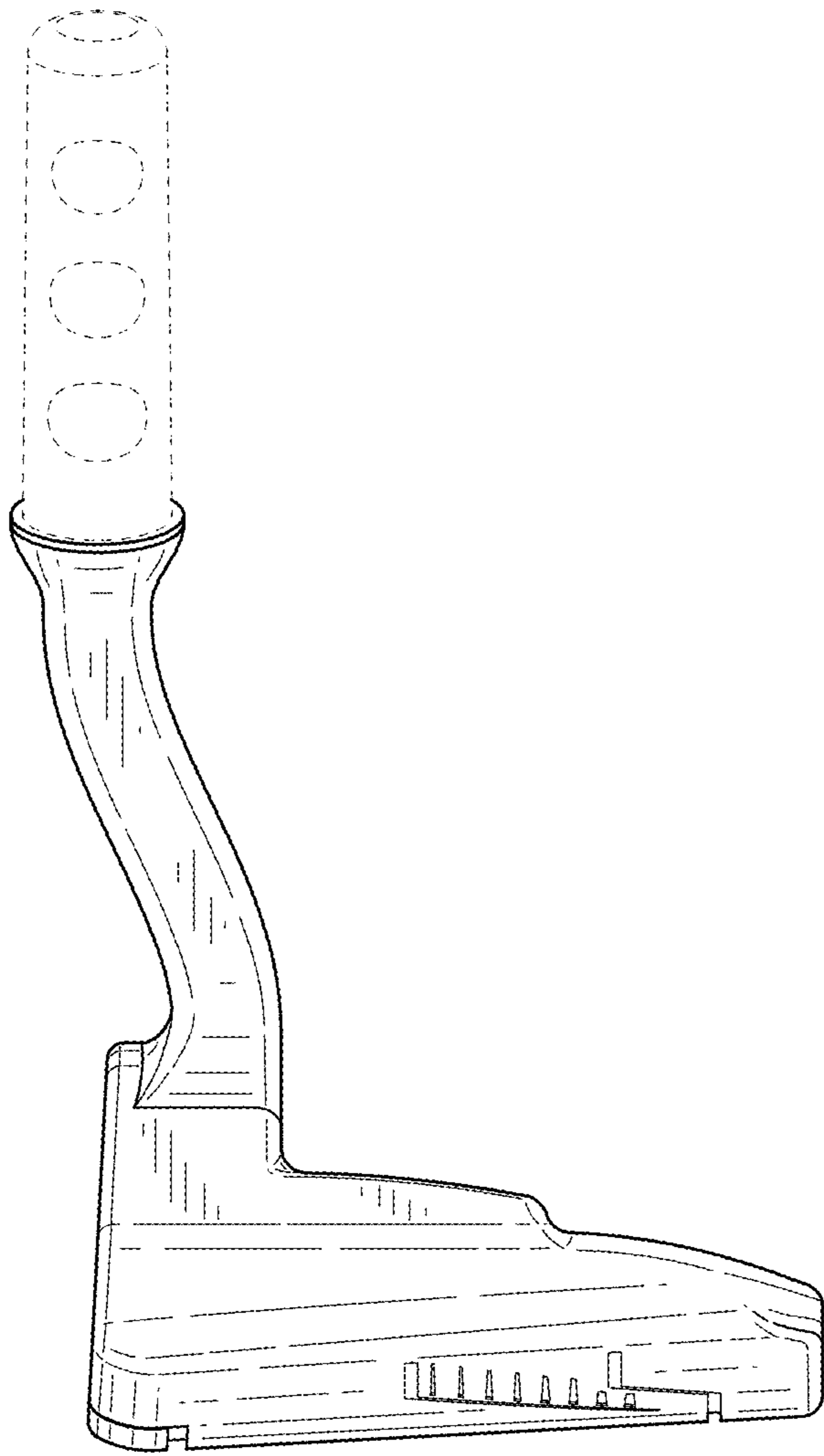


**FIG. 5**

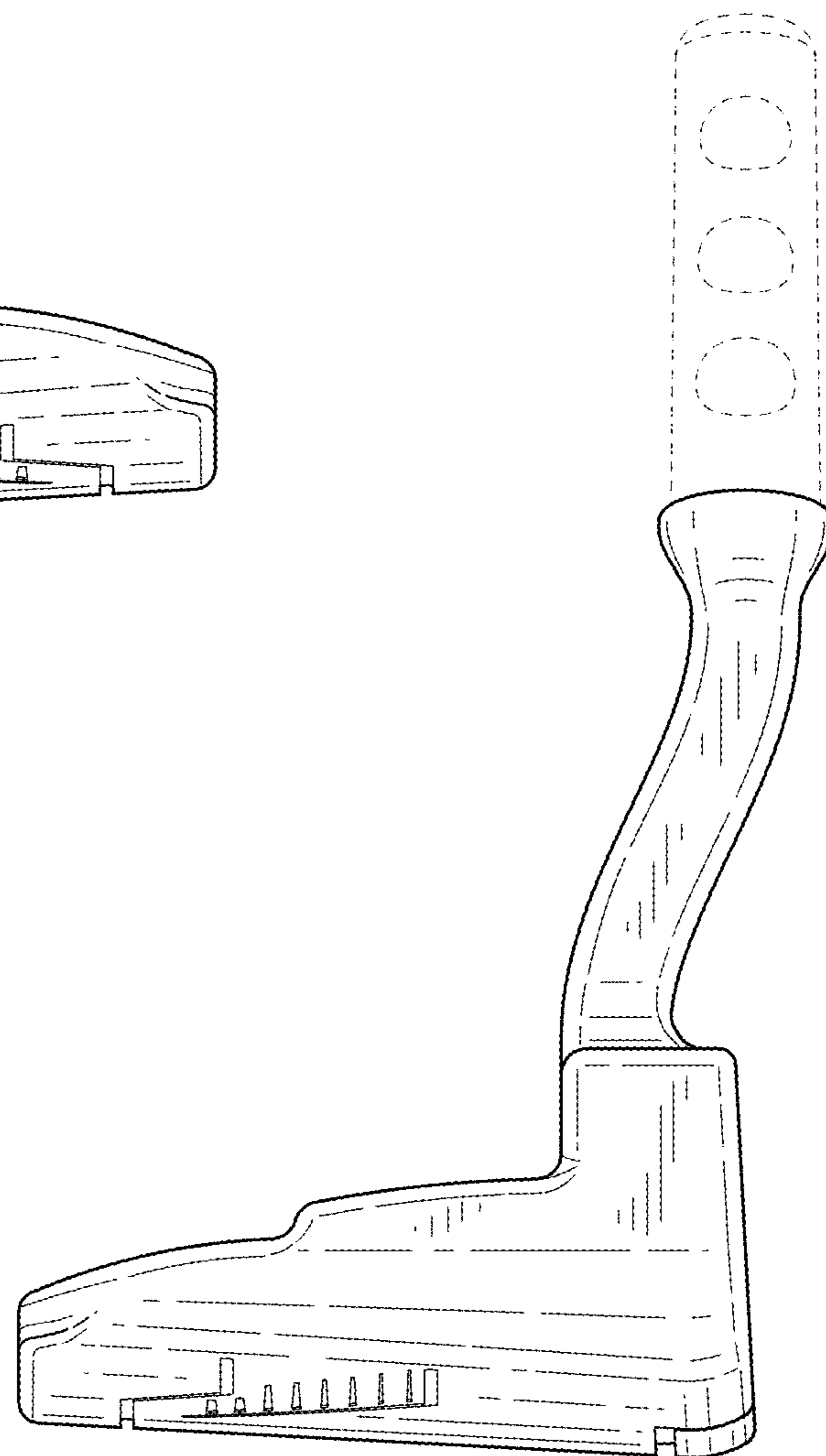


**FIG. 6**





**FIG. 7**



**FIG. 8**