



US00D982108S

(12) **United States Design Patent** (10) **Patent No.:** **US D982,108 S**
Jiang (45) **Date of Patent:** **** Mar. 28, 2023**

- (54) **BALL PICKER**
- (71) Applicant: **Shijia Jiang**, Xingtai (CN)
- (72) Inventor: **Shijia Jiang**, Xingtai (CN)
- (**) Term: **15 Years**
- (21) Appl. No.: **29/831,591**
- (22) Filed: **Mar. 22, 2022**
- (51) **LOC (14) Cl.** **21-02**
- (52) **U.S. Cl.**
USPC **D21/721**
- (58) **Field of Classification Search**
USPC D21/698, 715, 720, 721, 722, 723, 728,
D21/789; D23/370, 378, 381; D8/14
CPC A63B 47/02; A63B 47/021; A63B 53/14;
A63B 57/20
See application file for complete search history.

(56) **References Cited**

U.S. PATENT DOCUMENTS

- 3,215,293 A * 11/1965 Kelly A63B 47/021
414/440
- 3,227,298 A * 1/1966 Shoemaker A63B 47/021
414/440
- D239,812 S * 5/1976 Gould D21/723
- 5,407,242 A * 4/1995 Beranek A63B 47/021
414/440
- D524,886 S 7/2006 Baril
- D737,911 S * 9/2015 Dorsey D21/722
- 9,820,439 B1 * 11/2017 Tung A47L 13/00
- 2017/0265393 A1 * 9/2017 Kohl A01D 51/002
- 2018/0015348 A1 * 1/2018 Filmalter A63B 69/3655

FOREIGN PATENT DOCUMENTS

- CN 303012796 * 11/2014
- CN 303913175 * 11/2016

- CN 307267794 * 4/2022
- JP D1573992 * 4/2017
- KR 300887084.0000 * 12/2019

OTHER PUBLICATIONS

Gardena Rolling Collector, available on Amazon.de, date first available Jan. 4, 2016, [site visited Nov. 14, 2022], URL: <https://www.amazon.de/-/en/Gardena-Combination-System-Rolling-Collector/dp/B01A5MJUIK/> (Year: 2016).*

Zozen Nut Gatherer, available on ubuy.com, oldest customer review Nov. 9, 2021, [site visited Nov. 14, 2022], URL: <https://www.ubuy.co.no/en/product/4L2KX5K00-nut-gatherer-nut-collector-with-dump-outlet-acorn-picker-upper-acorn-rake-apply-to-hickory-nuts-spiked-balls-large-acorns-nerf-darts-golf> (Year: 2021).*

(Continued)

Primary Examiner — Dana K Weiland
Assistant Examiner — Emily Anna Saunders

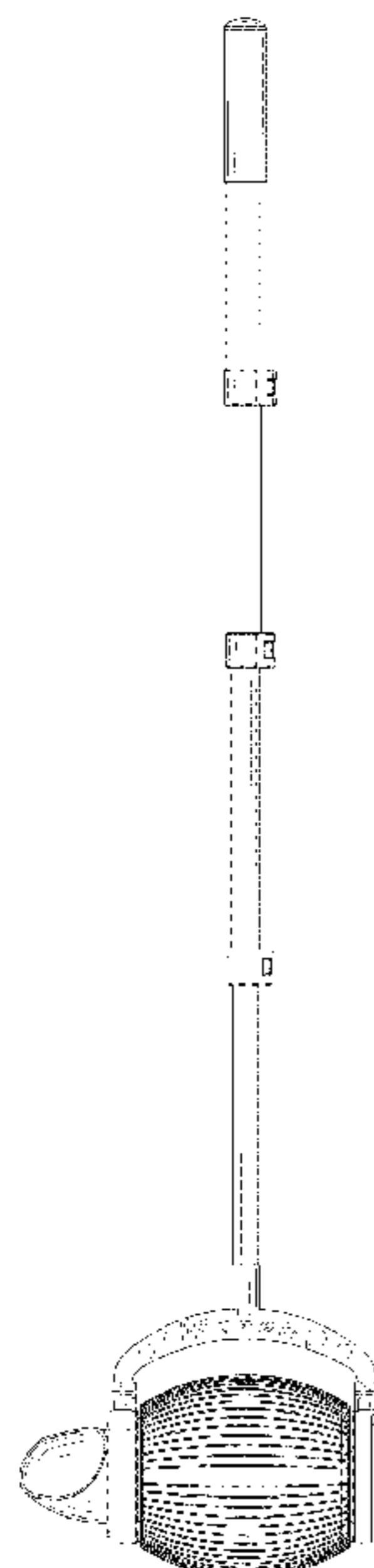
(57) **CLAIM**

The ornamental design for a ball picker, as shown and described.

DESCRIPTION

FIG. 1 is a perspective view of a ball picker showing my new design;
FIG. 2 is another perspective view thereof;
FIG. 3 is a front elevational view thereof;
FIG. 4 is a rear elevational view thereof;
FIG. 5 is a left side elevational view thereof;
FIG. 6 is a right side elevational view thereof;
FIG. 7 is a top plan view thereof;
FIG. 8 is a bottom plan view thereof; and,
FIG. 9 is an enlarged view of portion 9 shown in FIG. 1.
The dash-dash broken lines in the drawings depict portions of the ball picker that form no part of the claimed design. The dot-dash broken lines represent the boundary of the enlarged portion and form no part of the claimed design.

1 Claim, 9 Drawing Sheets



(56)

References Cited

OTHER PUBLICATIONS

Large Nut Gatherer, available on Amazon.com, oldest customer review Feb. 7, 2021, [site visited Nov. 14, 2022], URL: <https://www.amazon.com/Gatherer-Harvester-Adjustable-Lightweight-Collector/dp/B08P4LC5Y1/> (Year: 2021).*

Kollectaball, available on Amazon.com, date first available Jun. 23, 2015, [site visited Nov. 14, 2022], URL: <https://www.amazon.com/Kollectaball-Buddy-Collector-Picker-Upper/dp/B01088S0DM> (Year: 2015).*

Tennis Ball Collector, available on youtube.com, date posted May 25, 2017, [site visited Nov. 14, 2022], URL: <https://www.youtube.com/watch?v=SdgS5negjYk> (Year: 2017).*

Zozen Nut Gatherer, available on Amazon.com, date first available May 29, 2022, oldest customer review Aug. 25, 2022, [site visited Nov. 14, 2022], URL: <https://www.amazon.com/Zozen-Gatherer-Acorn-Picker-Upper/dp/B0B2MFGD9B/> (Year: 2022).*

* cited by examiner

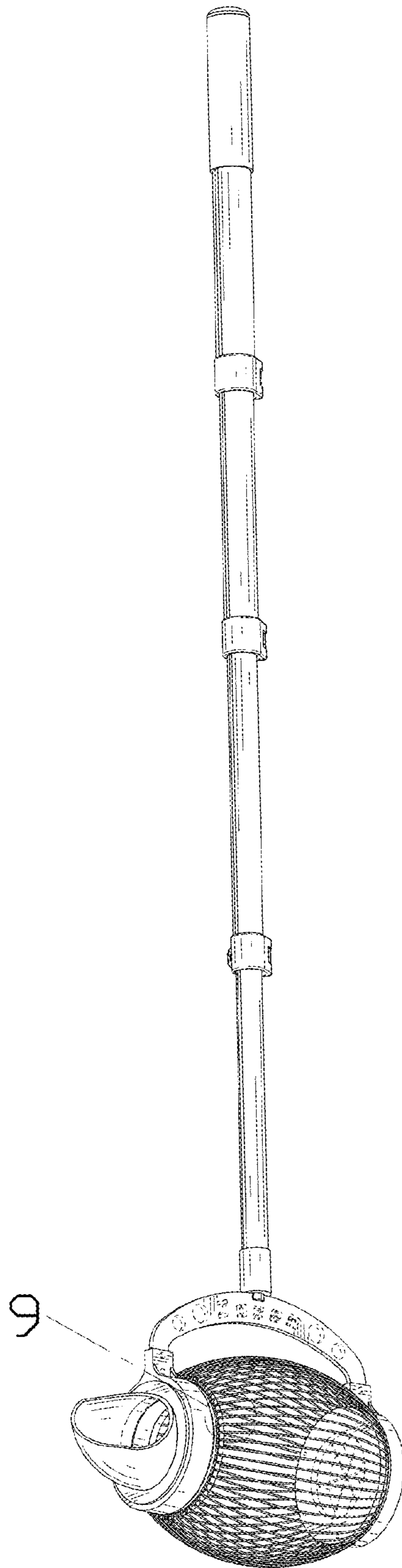


FIG. 1

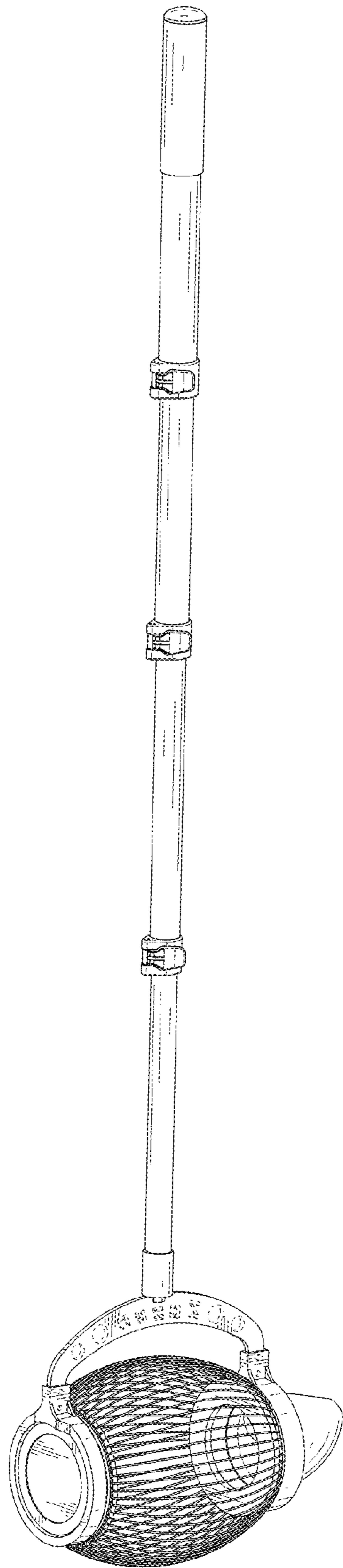


FIG. 2

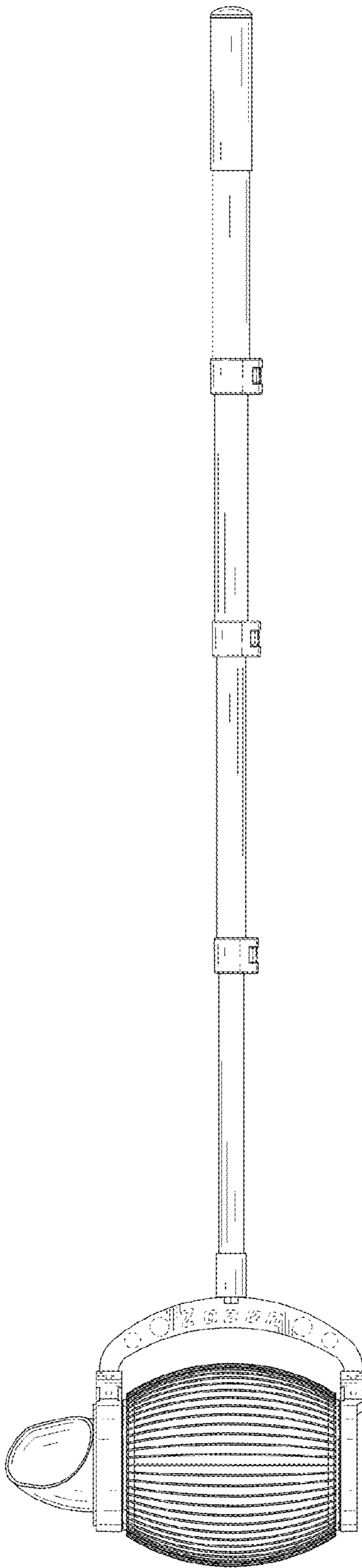


FIG. 3

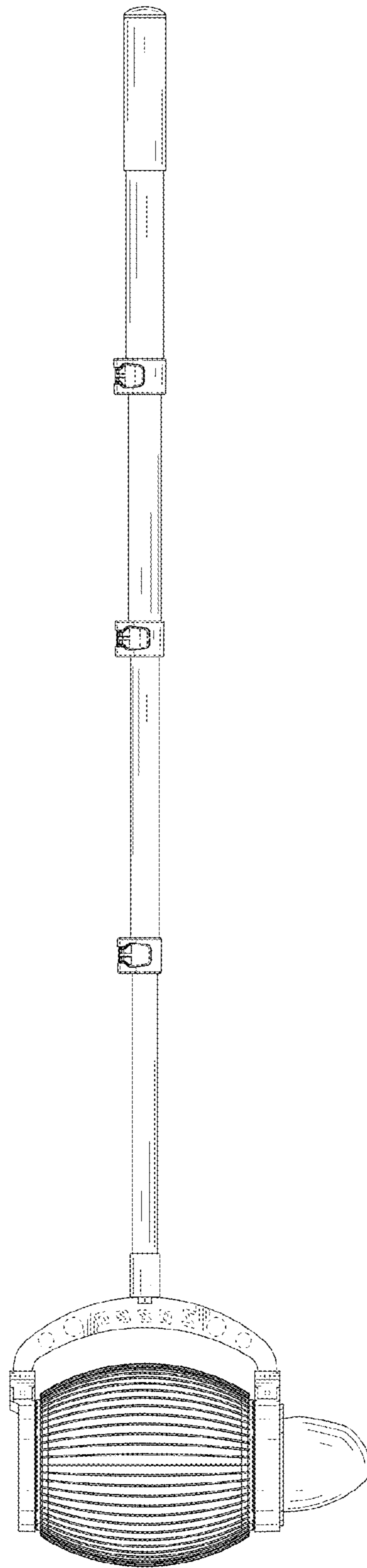


FIG. 4

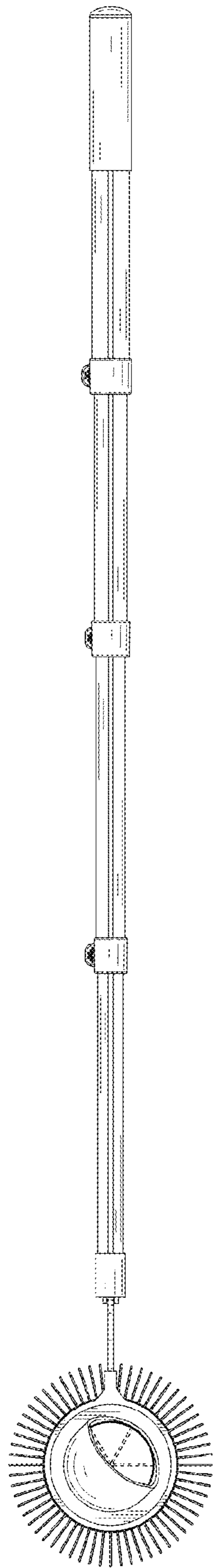


FIG. 5

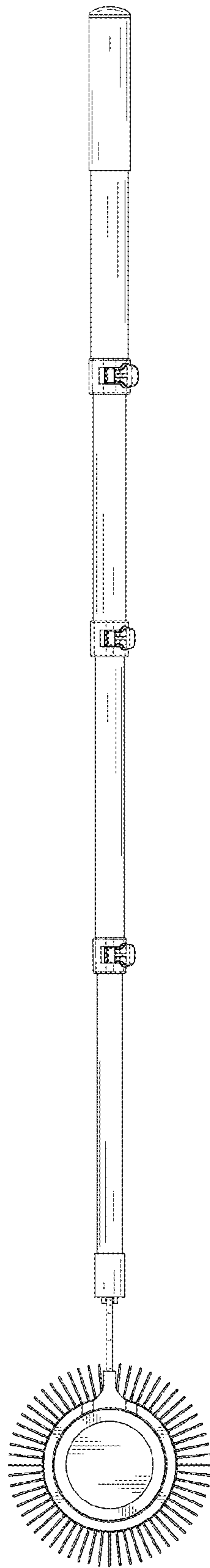


FIG. 6

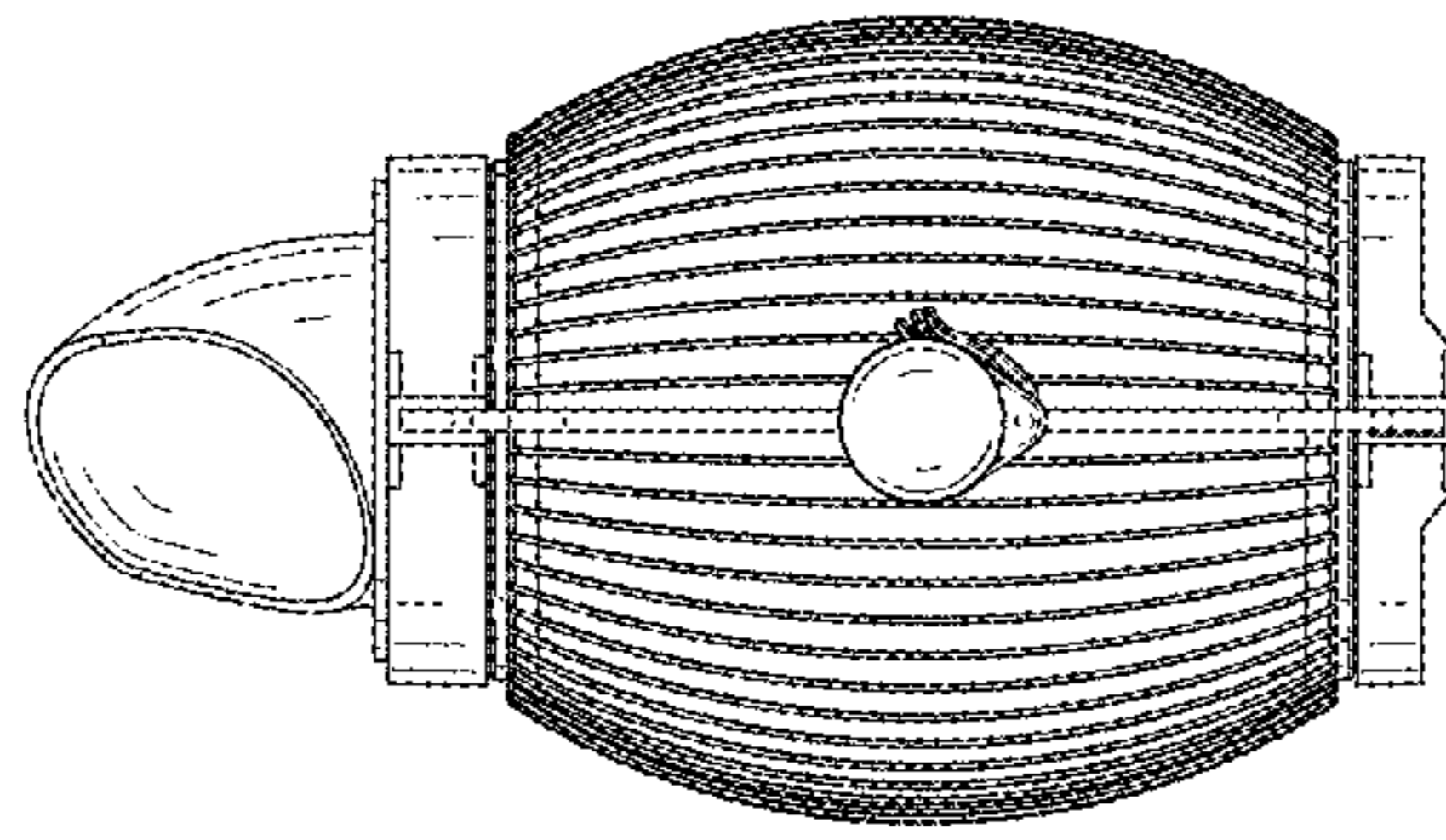


FIG. 7

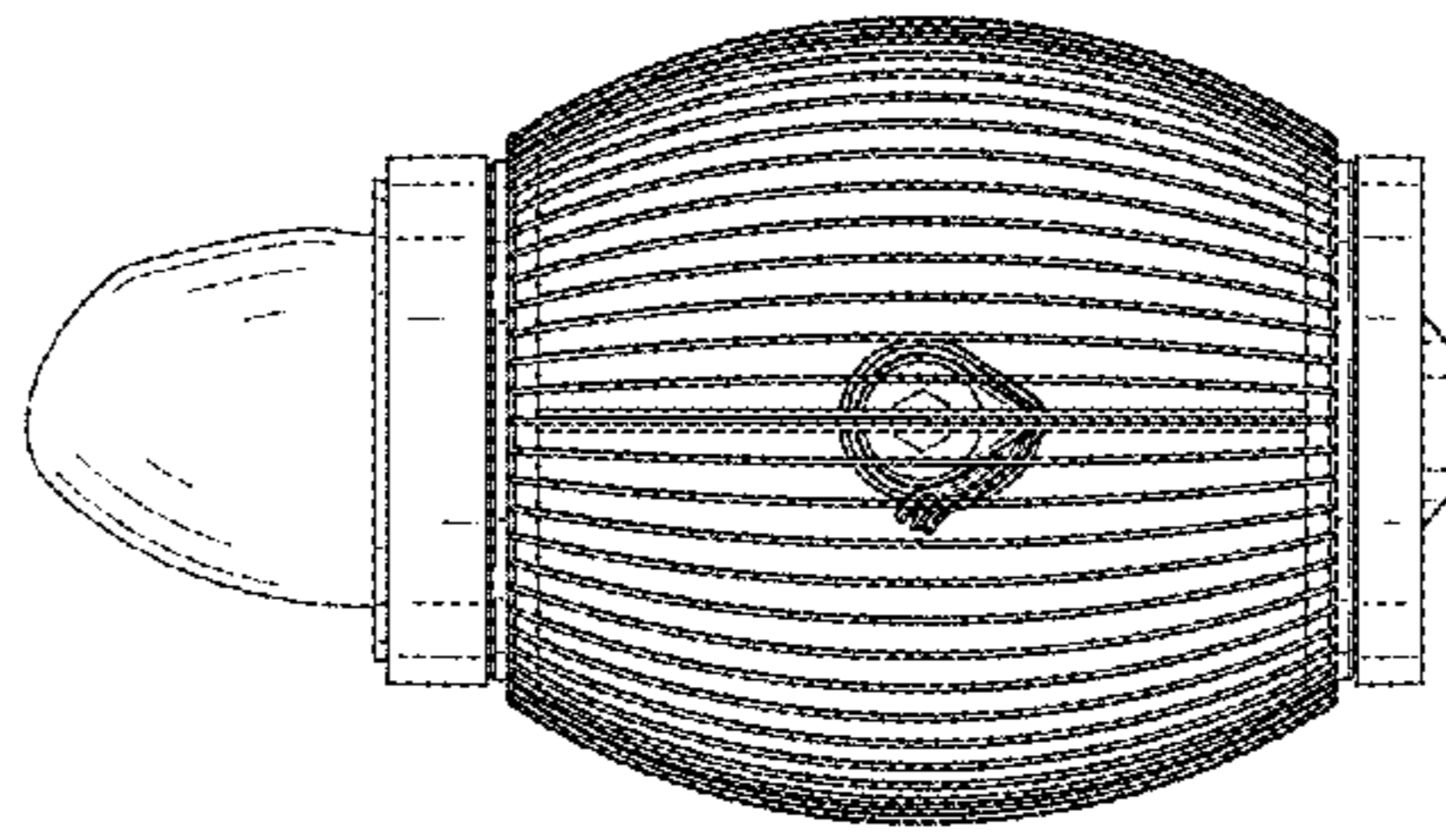


FIG. 8

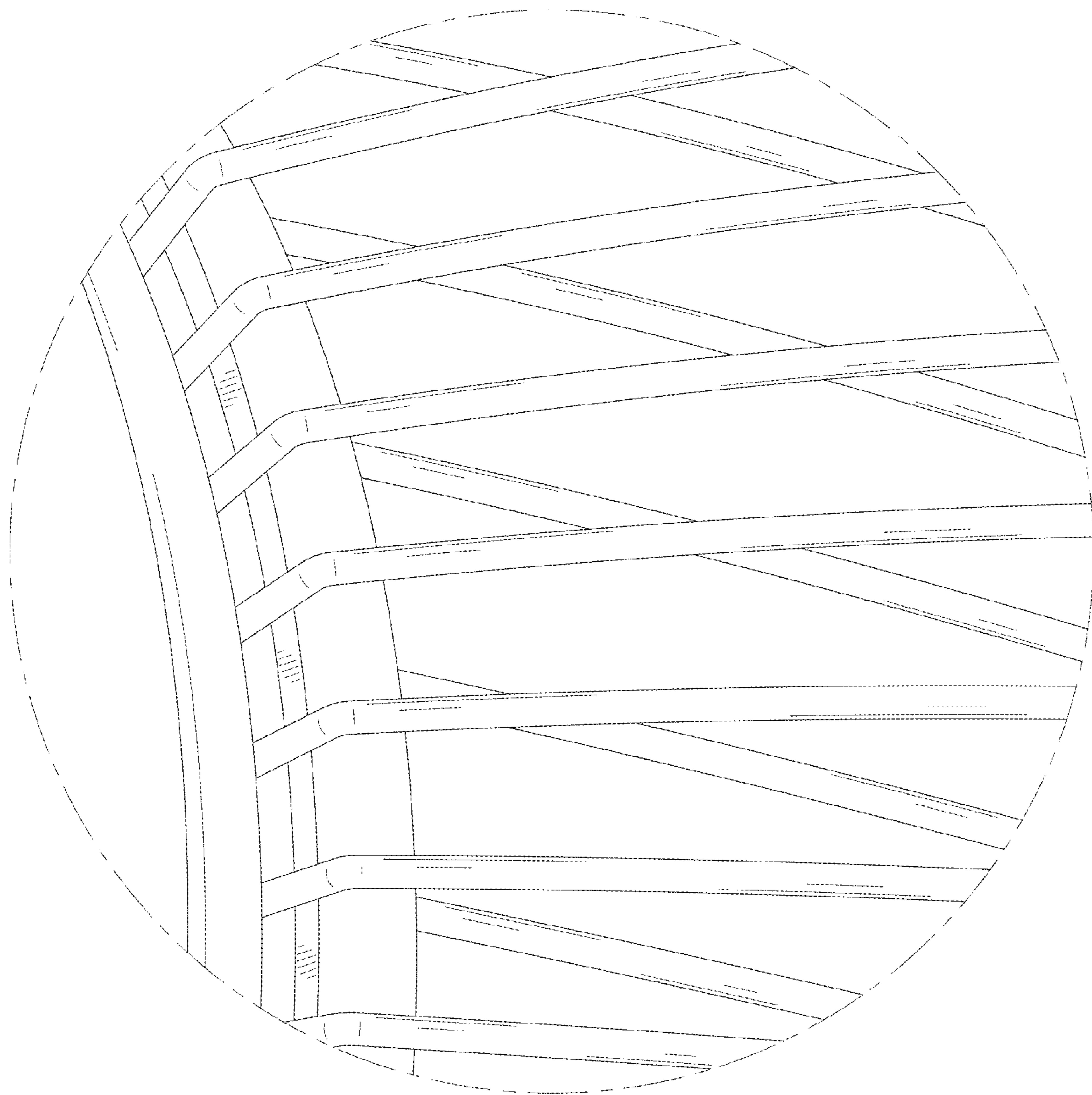


FIG. 9