



US00D982103S

(12) **United States Design Patent**  
**Zheng**

(10) **Patent No.:** **US D982,103 S**  
(45) **Date of Patent:** **\*\* Mar. 28, 2023**

(54) **TOY WATER GUN**

(71) Applicant: **Wenquan Zheng**, Guangdong (CN)

(72) Inventor: **Wenquan Zheng**, Guangdong (CN)

(\*\*) Term: **15 Years**

(21) Appl. No.: **29/860,326**

(22) Filed: **Nov. 17, 2022**

(51) **LOC (14) Cl.** ..... **21-01**

(52) **U.S. Cl.**  
USPC ..... **D21/572**; D21/570; D21/567

(58) **Field of Classification Search**  
USPC ..... D21/572, 573, 574, 333, 570; D14/418;  
D22/100, 103, 105; D23/226, 223  
CPC ..... A63H 33/28; F41B 9/0012; F41B 9/0078  
See application file for complete search history.

(56) **References Cited**

**U.S. PATENT DOCUMENTS**

D350,573 S *	9/1994	Caminos	.....	D21/572
D458,652 S	6/2002	Chan		
D618,687 S *	6/2010	Ito	.....	D14/418
D646,281 S *	10/2011	Markowitz	.....	D21/333
D660,920 S *	5/2012	Johnson	.....	D21/573
D903,789 S *	12/2020	Zheng	.....	D21/572
D946,091 S *	3/2022	Li	.....	D21/572
D952,766 S *	5/2022	Cheng	.....	D21/574
D957,546 S	7/2022	Chen		
D964,483 S *	9/2022	Xu	.....	D21/573

**FOREIGN PATENT DOCUMENTS**

CN	301301546	*	8/2010
CN	303543292	*	1/2016
HK	1600130-0001	*	5/2016

**OTHER PUBLICATIONS**

Amazon Website, Toy CS Game Gun, Earliest Comment Date: Aug. 13, 2018, [Website Visited on Dec. 8, 2022], Available on the Internet URL: <https://www.amazon.com/Cp-Tree-Shooting-10400pcs-Polymer-Projectile/dp/B0756TM3HW/> (Year: 2022).\*

\* cited by examiner

*Primary Examiner* — S. Bryan Reinholdt, Jr.

*Assistant Examiner* — James T Tyree

(74) *Attorney, Agent, or Firm* — ScienBiziP, P.C.

(57) **CLAIM**

The ornamental design for a toy water gun, as shown and described.

**DESCRIPTION**

FIG. 1 is a front, right and top perspective view of a toy water gun, showing my design.

FIG. 2 is a rear, left and bottom perspective view thereof.

FIG. 3 is a front elevation view thereof.

FIG. 4 is a rear elevation view thereof.

FIG. 5 is a left side elevation view thereof.

FIG. 6 is a right side elevation view thereof.

FIG. 7 is a top plan view thereof.

FIG. 8 is a bottom plan view thereof.

FIG. 9 is an enlarged view of detail 9 in FIG. 1.

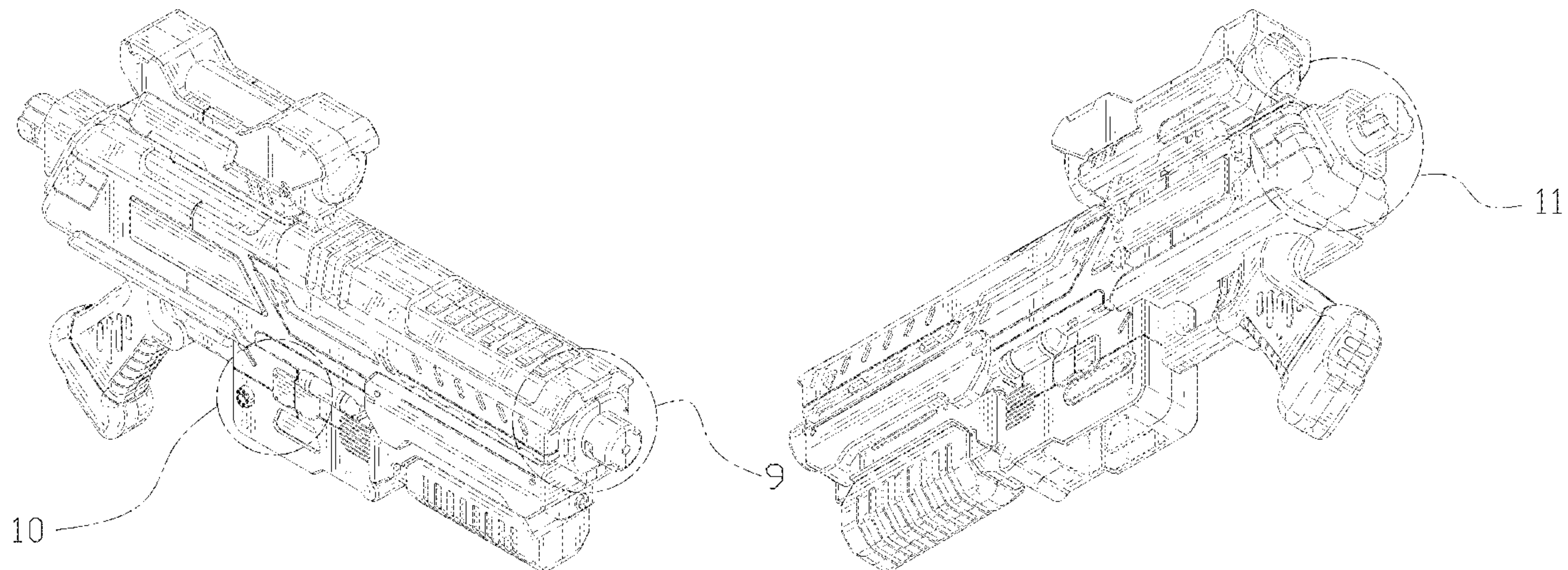
FIG. 10 is an enlarged view of detail 10 in FIG. 1; and,

FIG. 11 is an enlarged view of detail 11 in FIG. 2.

The broken lines depict portions of the toy water gun that form no part of the claimed design.

The dot-dash broken lines in FIGS. 1, 2, 9, 10 and 11 depict the boundaries of the enlargements that form no part of the claimed design.

**1 Claim, 11 Drawing Sheets**



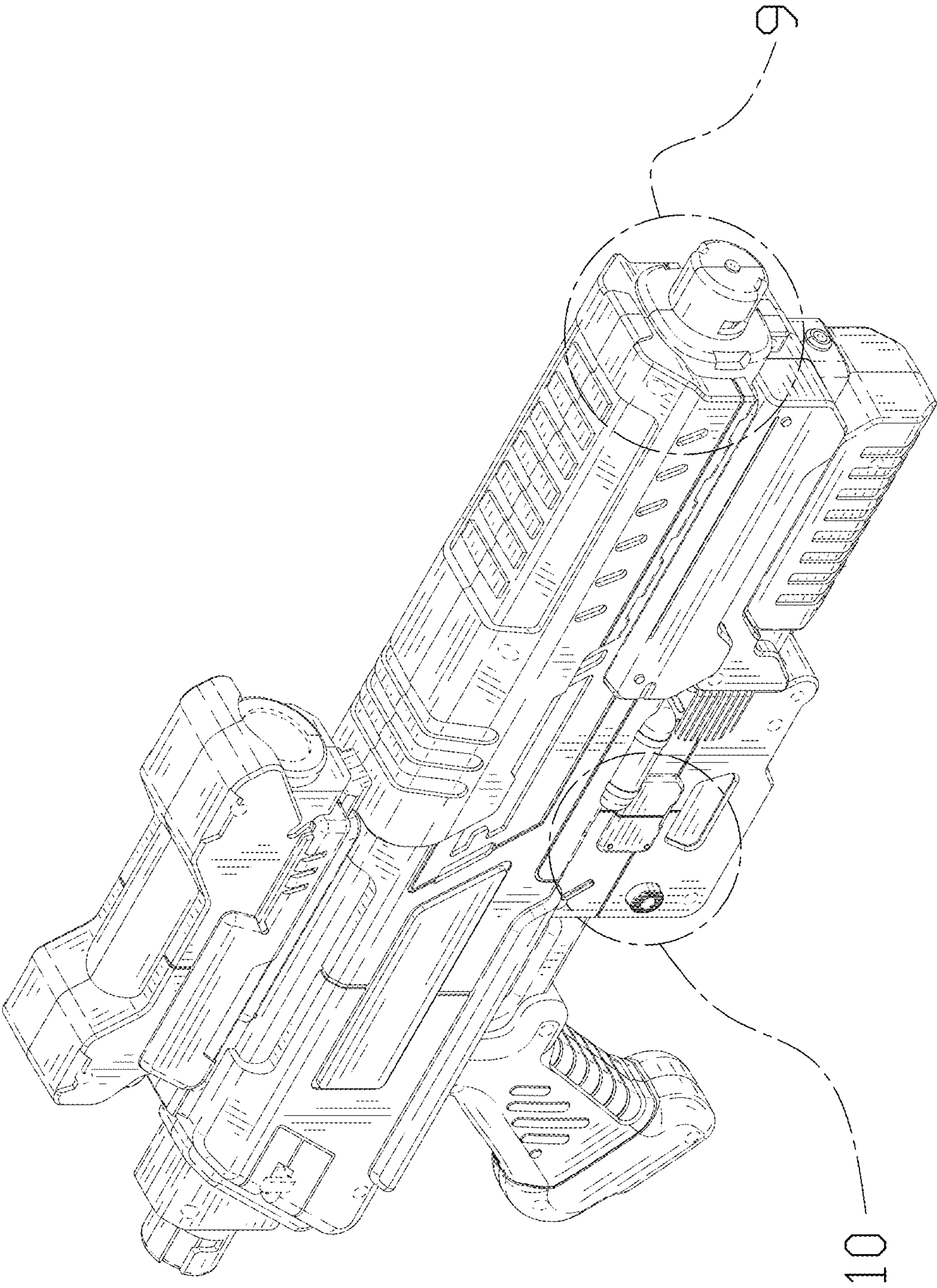


FIG. 1



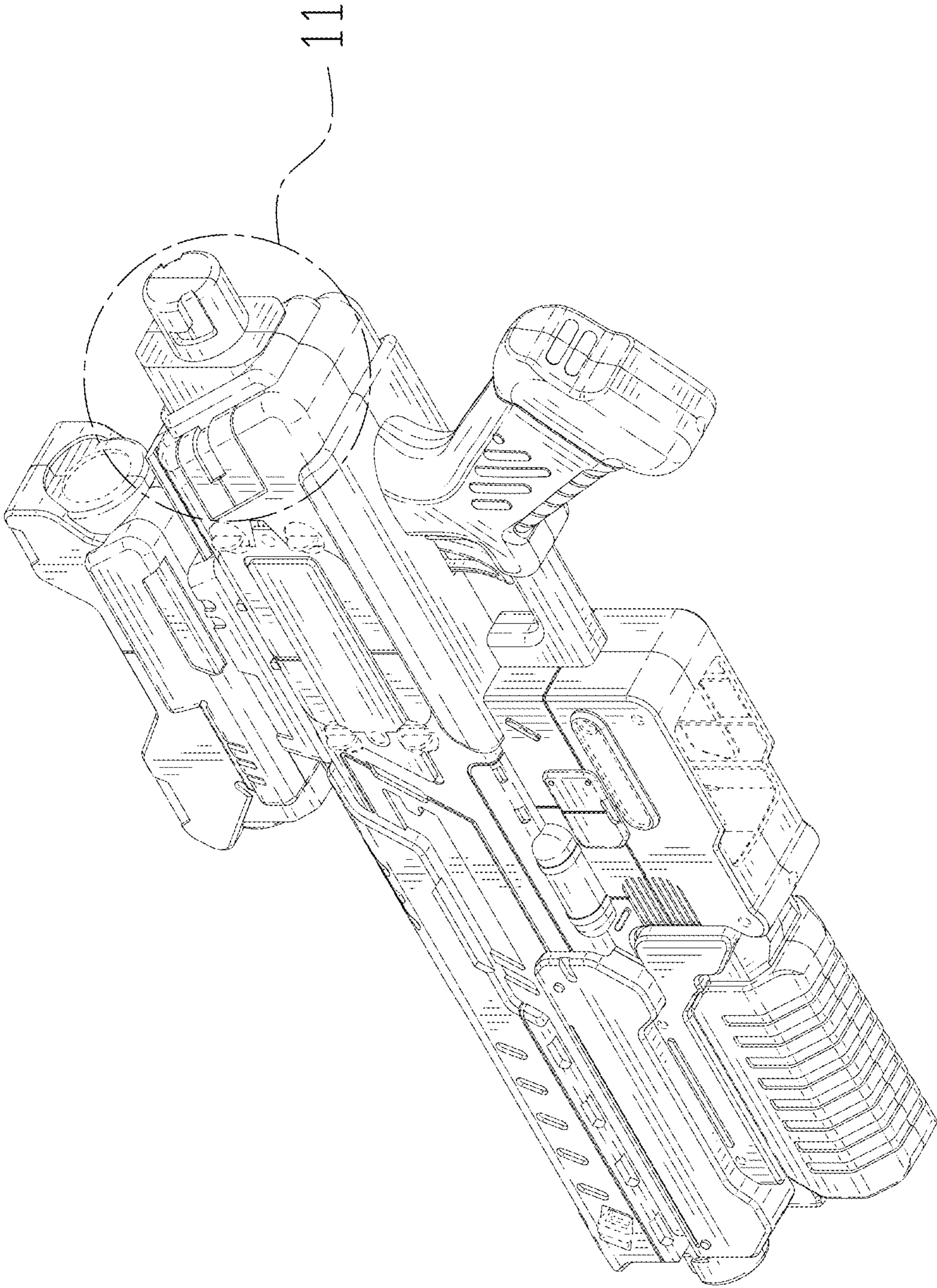


FIG. 2

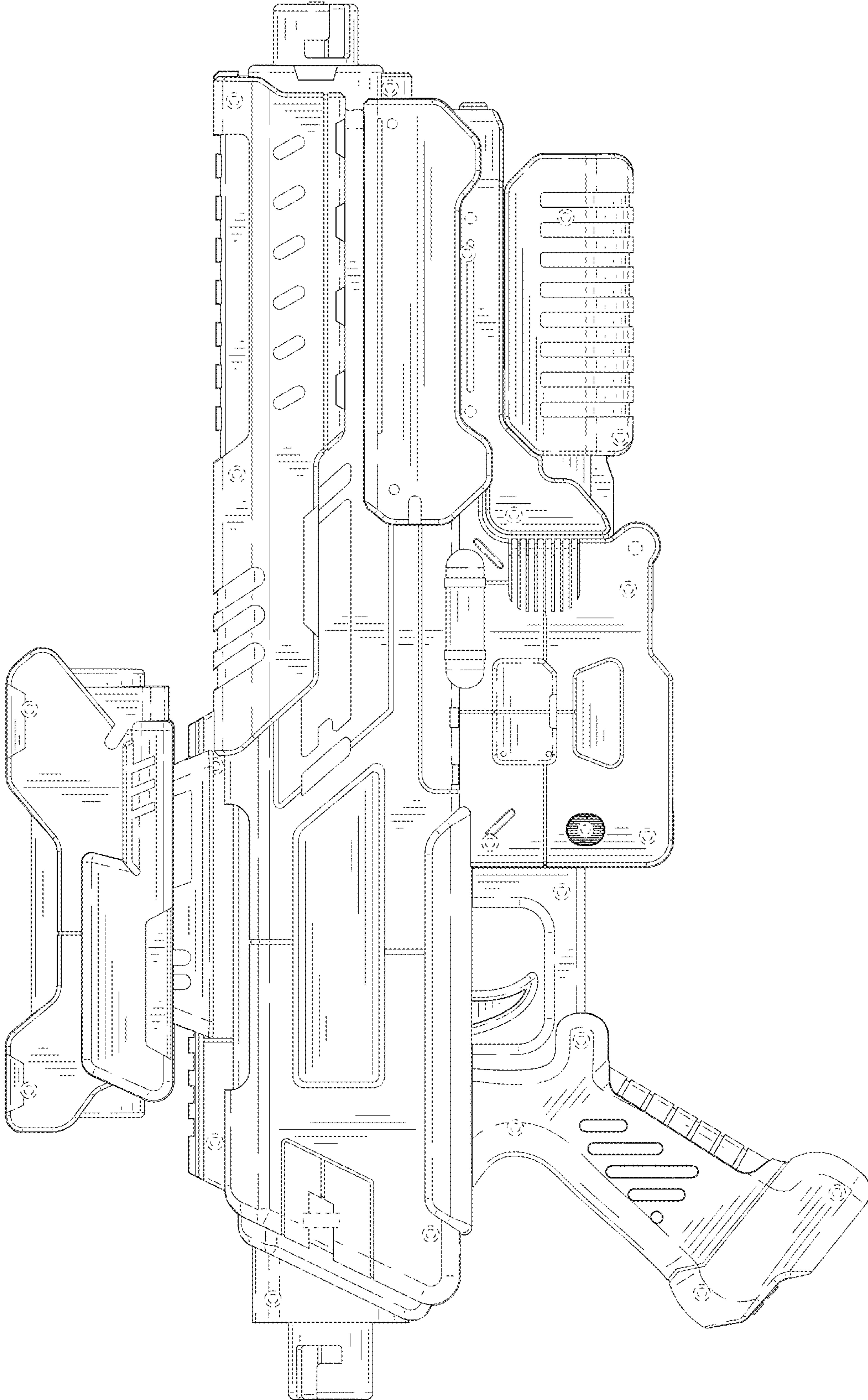


FIG. 3



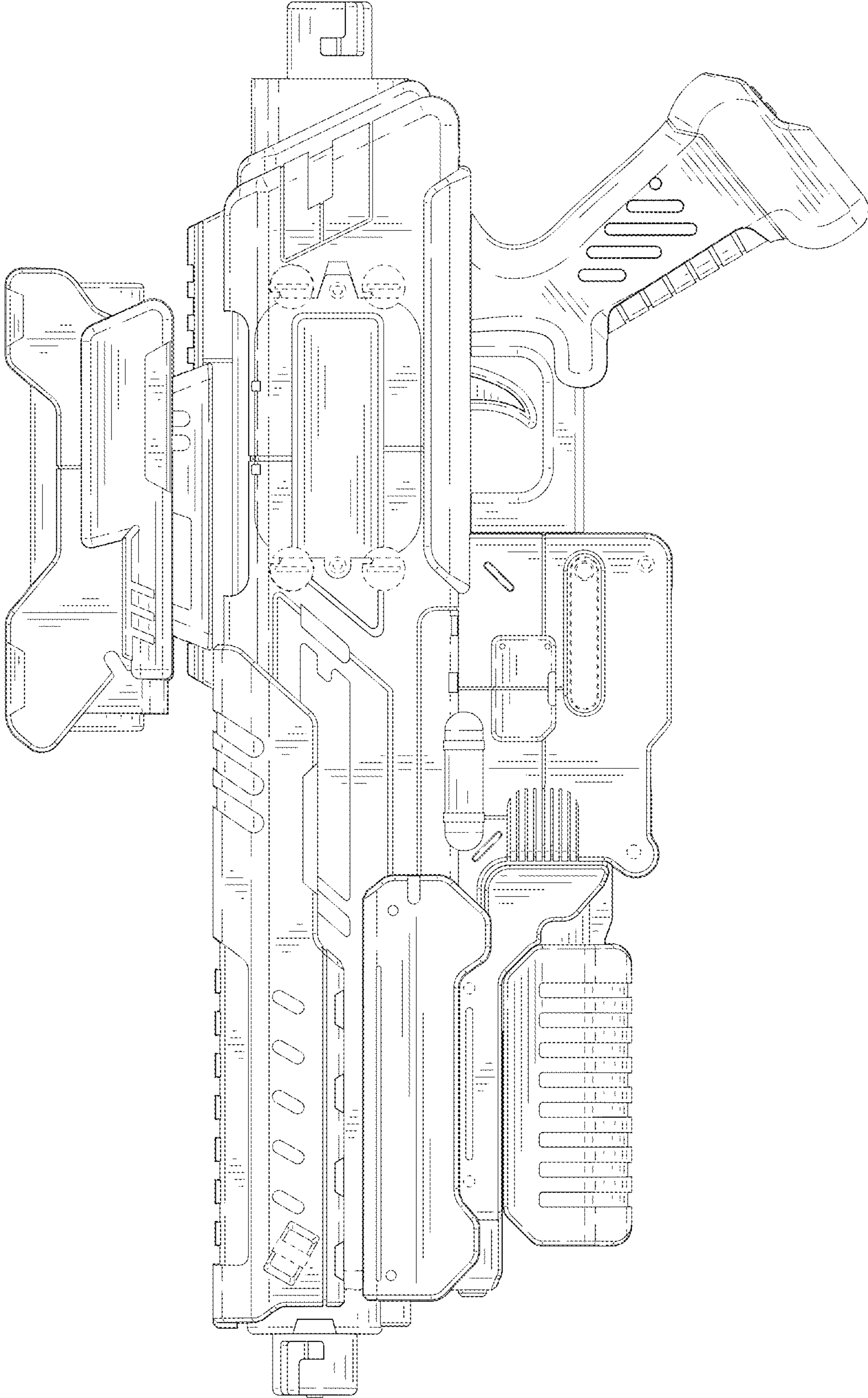


FIG. 4

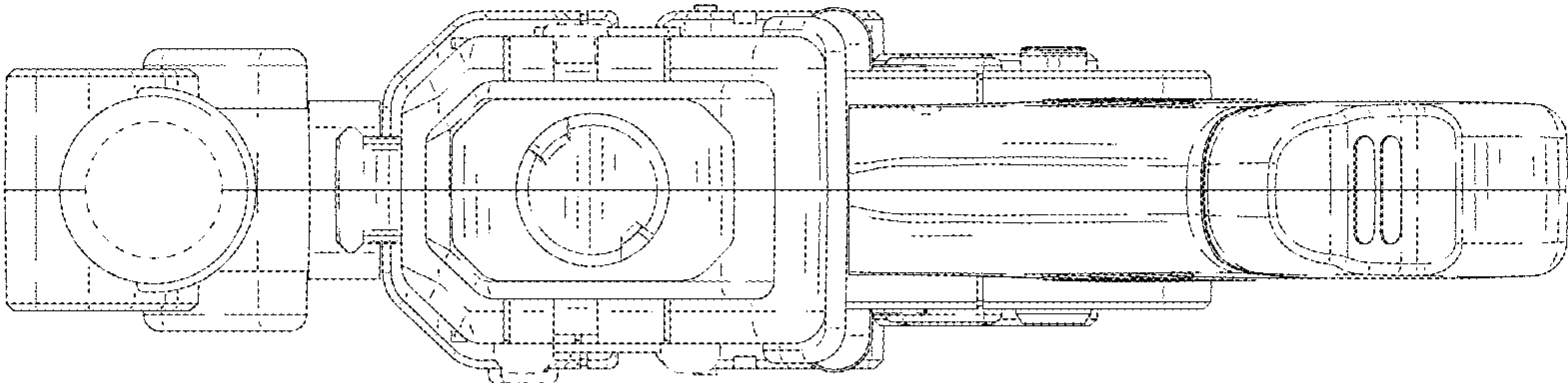


FIG. 5

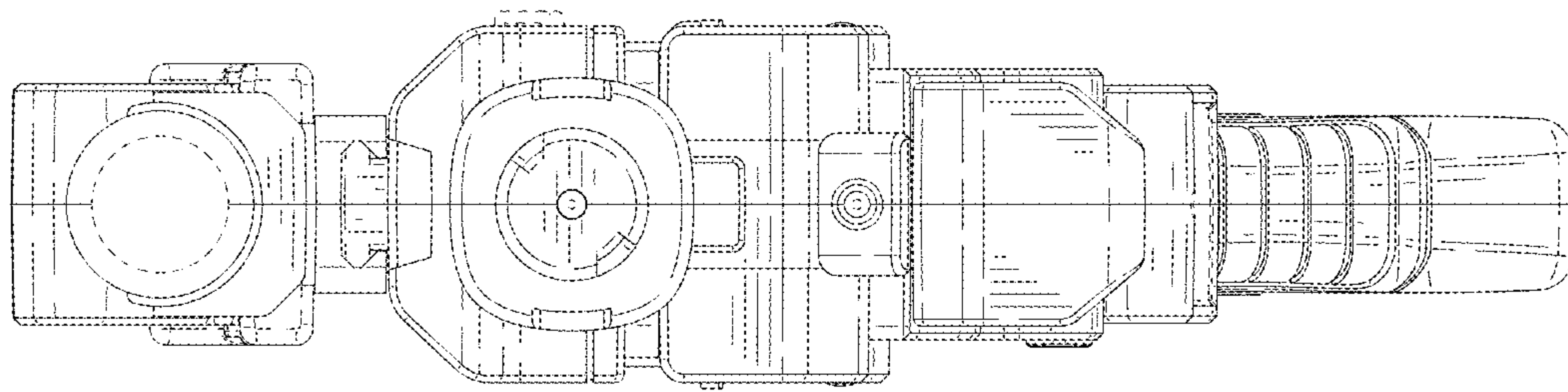


FIG. 6

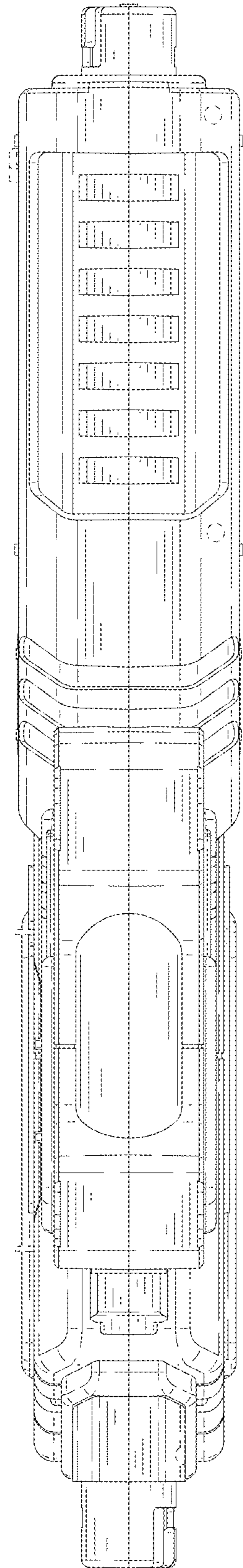


FIG. 7



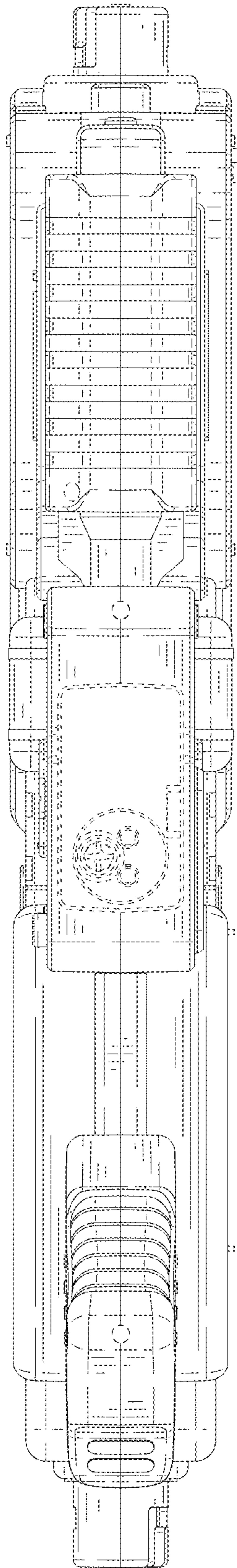


FIG. 8

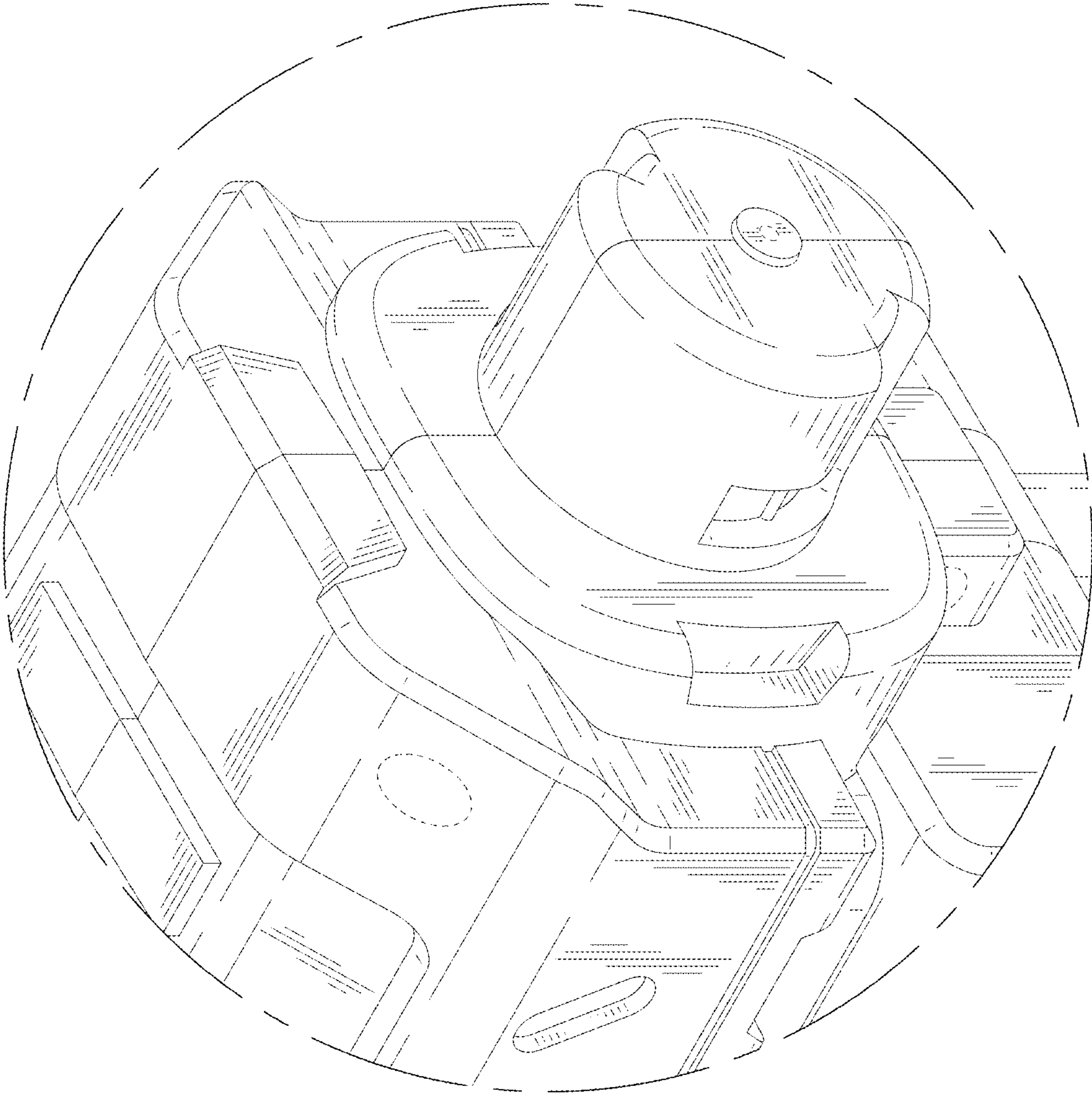


FIG. 9

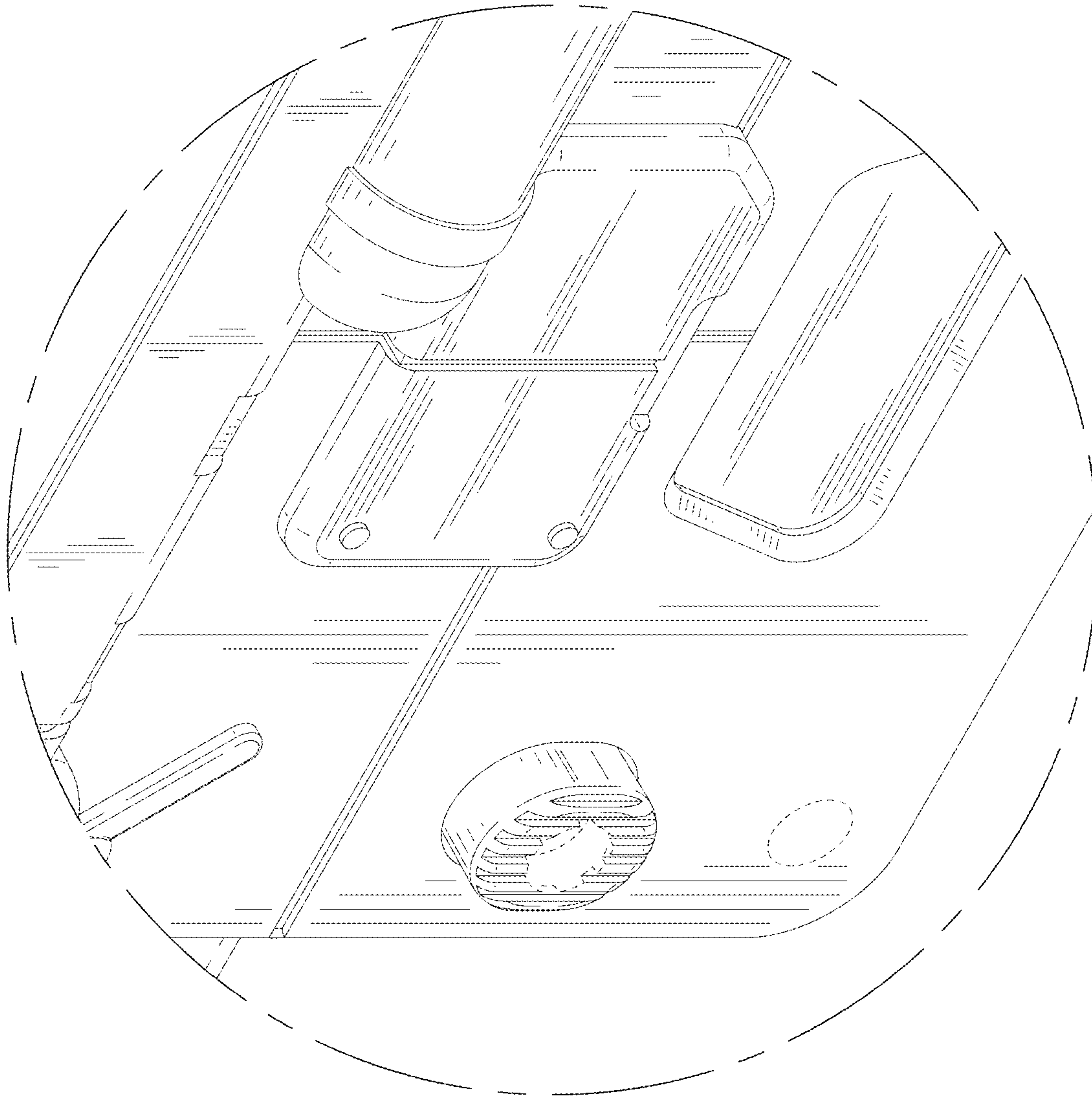


FIG. 10



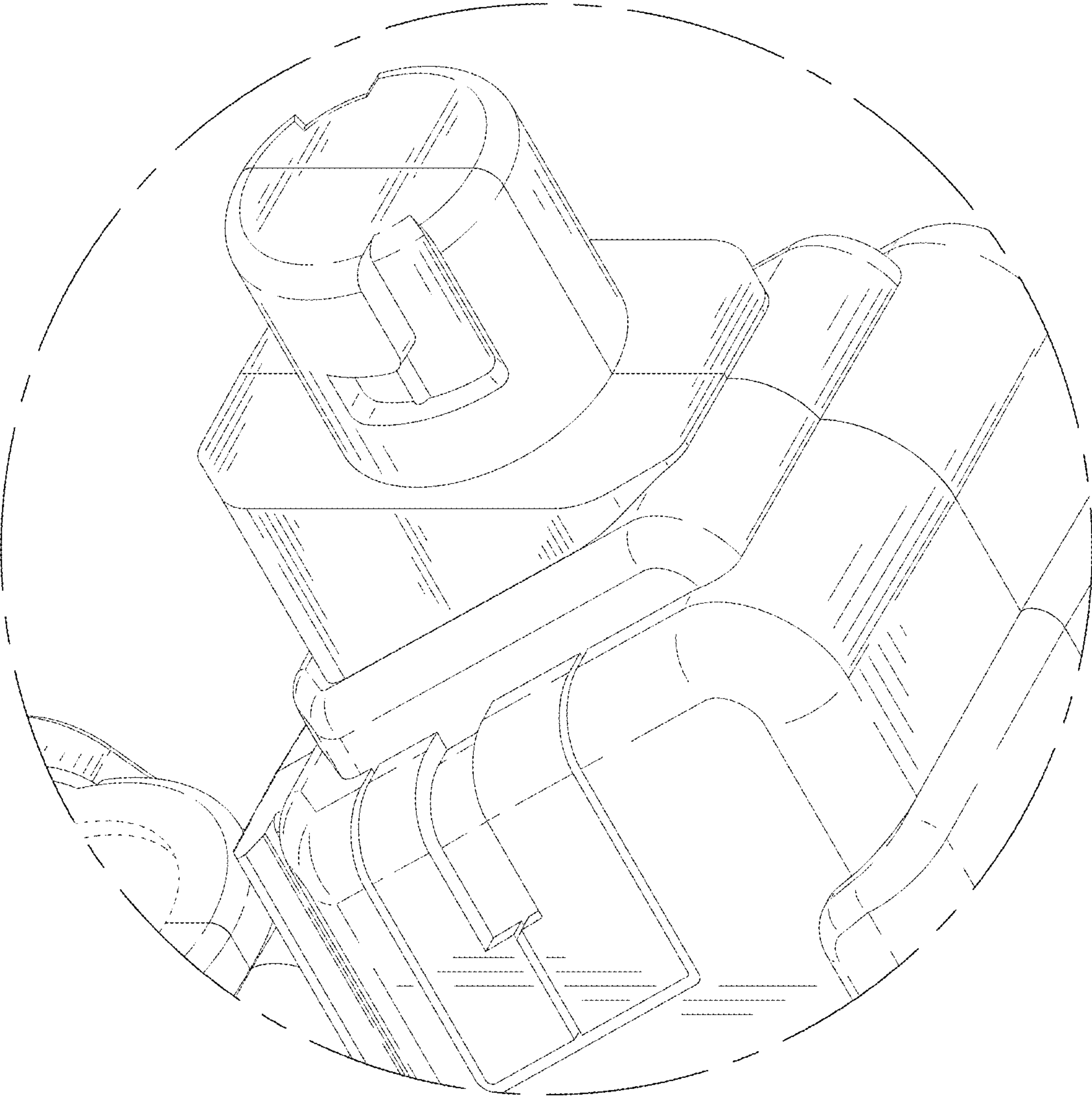


FIG. 11