



US00D982101S

(12) **United States Design Patent**  
**Song**

(10) **Patent No.:** **US D982,101 S**

(45) **Date of Patent:** **\*\* Mar. 28, 2023**

(54) **LIGHT SABER**

Changeable-Electronic-Rechargeable-Double-Bladed-lightsaber/dp/B0B6V4WBF1/ref (Year: 2022).\*

(71) Applicant: **SHENZHEN TAOZHU ELECTRONIC COMMERCE CO., LTD.**, Shenzhen (CN)

*Primary Examiner* — Khawaja Anwar  
*Assistant Examiner* — Julice Seung Eun Oum

(72) Inventor: **Jiale Song**, Jingzhou (CN)

(57) **CLAIM**

The ornamental design for a light saber, as shown and described.

(73) Assignee: **SHENZHEN TAOZHU ELECTRONIC COMMERCE CO., LTD.**, Shenzhen (CN)

**DESCRIPTION**

(\*\*) Term: **15 Years**

FIG. 1 is a perspective view of a first embodiment of a light saber showing my new design;

(21) Appl. No.: **29/849,750**

FIG. 2 is another perspective view thereof;

(22) Filed: **Aug. 14, 2022**

FIG. 3 is a front elevational view thereof;

(51) **LOC (14) Cl.** ..... **21-01**

FIG. 4 is a rear elevational view thereof;

(52) **U.S. Cl.**

FIG. 5 is a left side elevational view thereof;

USPC ..... **D21/567**

FIG. 6 is a right side elevational view thereof;

(58) **Field of Classification Search**

FIG. 7 is a top plan view thereof;

USPC ..... D21/567, 402, 570, 400; D17/10, 13  
See application file for complete search history.

FIG. 8 is a bottom plan view thereof;

(56) **References Cited**

FIG. 9 is an exploded perspective view of the light saber;

**U.S. PATENT DOCUMENTS**

FIG. 10 is a perspective view of the light saber where the light saber is in a configuration of use;

D58,226 S \* 6/1921 Gulick ..... D17/13

FIG. 11 is an enlarged view of portion 11 shown in FIG. 1;

D360,007 S \* 7/1995 Farr ..... D22/117

FIG. 12 is a perspective view of a second embodiment of the light saber;

D370,276 S \* 5/1996 Davis ..... D26/37

FIG. 13 is another perspective view thereof;

(Continued)

FIG. 14 is a front elevational view thereof;

**FOREIGN PATENT DOCUMENTS**

CN 201830516869.0 \* 4/2019

FIG. 15 is a rear elevational view thereof;

CN 202030554868.8 \* 11/2020

FIG. 16 is a left side elevational view thereof;

CN 202030663901.5 \* 3/2021

FIG. 17 is a right side elevational view thereof;

**OTHER PUBLICATIONS**

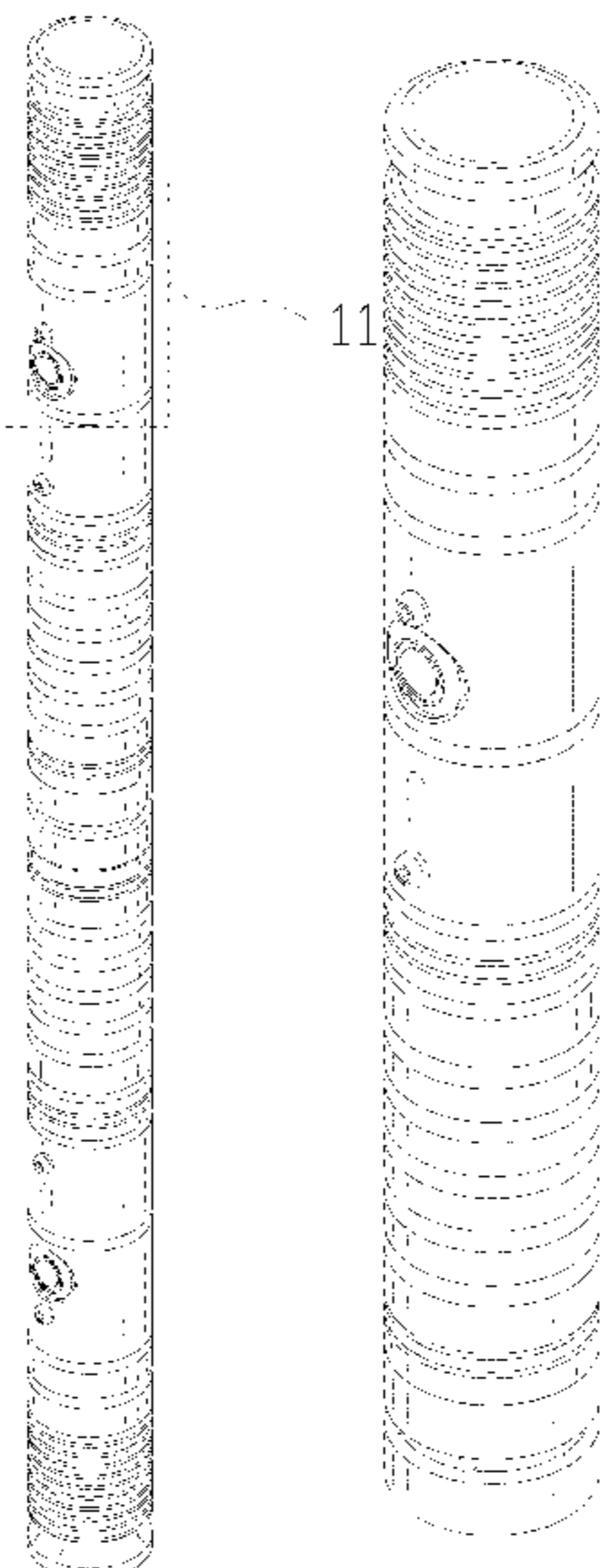
FIG. 18 is a top plan view thereof;

Wafchhnl store, announced Jul. 2022 [online], [site visited Dec. 21, 2022]. Available on internet, URL:https://www.amazon.com/

FIG. 19 is a bottom plan view thereof; and,  
FIG. 20 is a perspective view of the light saber where the light saber is in a configuration of use.

The dash-dash broken lines in the drawings depict portions of the light saber that form no part of the claimed design. The dot-dash broken lines represent boundaries of the enlarged portion and form no part of the claimed design.

**1 Claim, 20 Drawing Sheets**



(56)

**References Cited**

U.S. PATENT DOCUMENTS

D603,464 S \* 11/2009 Roos ..... D21/567  
D626,671 S \* 11/2010 Bertken ..... D10/114.9  
D740,149 S \* 10/2015 Talamo ..... D10/114.9  
2003/0139215 A1 \* 7/2003 Todd ..... F41B 15/025  
463/47.6  
2007/0087844 A1 \* 4/2007 Labes ..... F41B 15/027  
463/47.7  
2007/0270077 A1 \* 11/2007 Woodhouse ..... A63H 33/009  
446/473  
2014/0256452 A1 \* 9/2014 Cheng ..... F41B 15/027  
463/47.7  
2022/0228836 A1 \* 7/2022 Chiang ..... F41B 15/027

\* cited by examiner

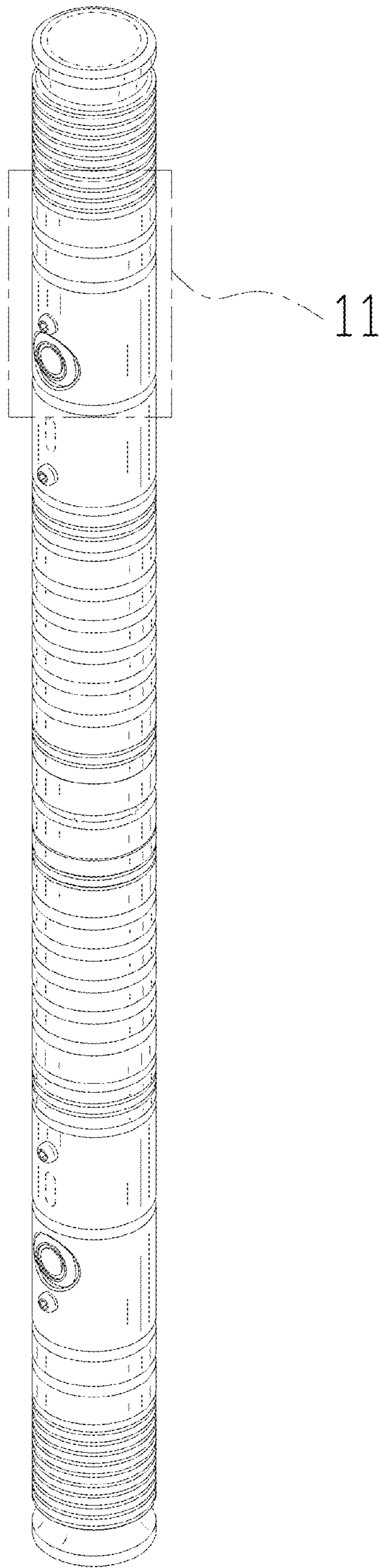


FIG. 1

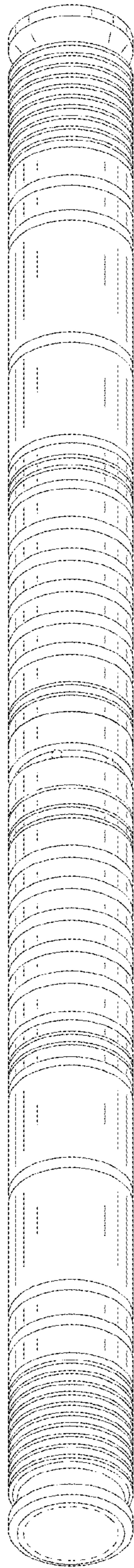


FIG. 2

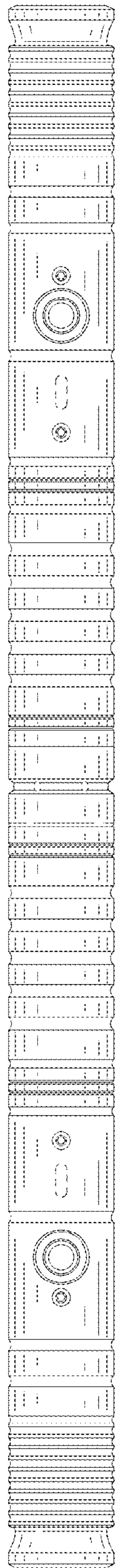


FIG. 3

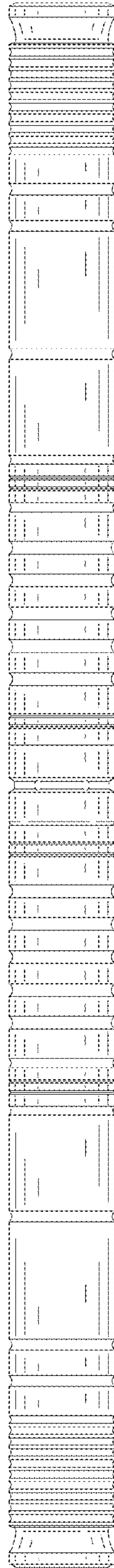


FIG. 4

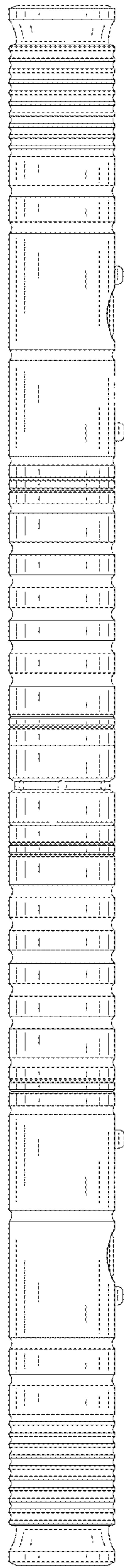


FIG. 5

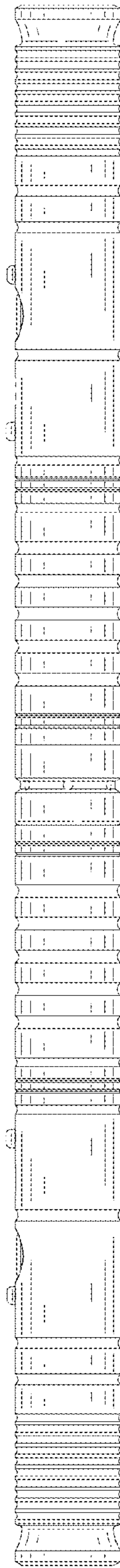


FIG. 6



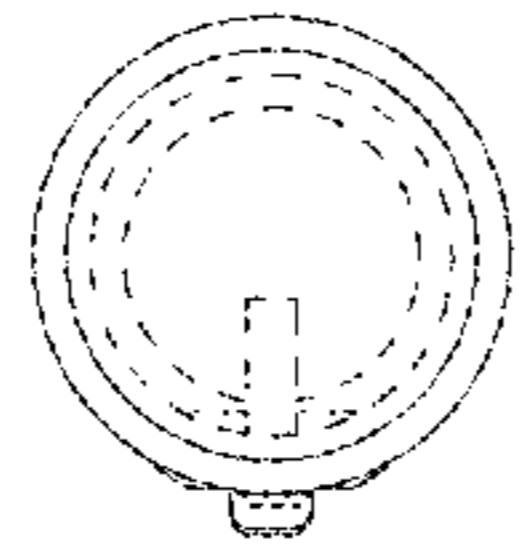


FIG. 7

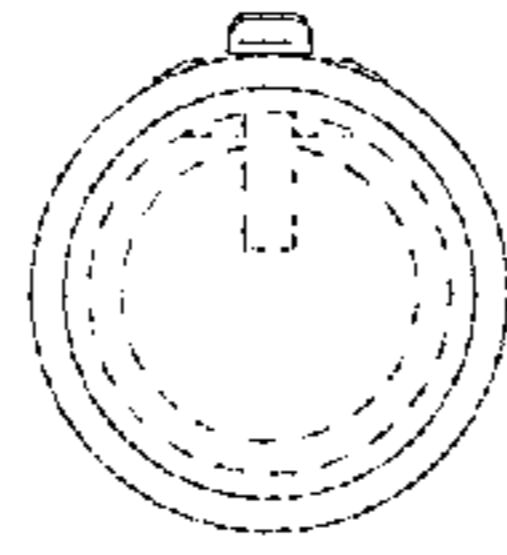


FIG. 8

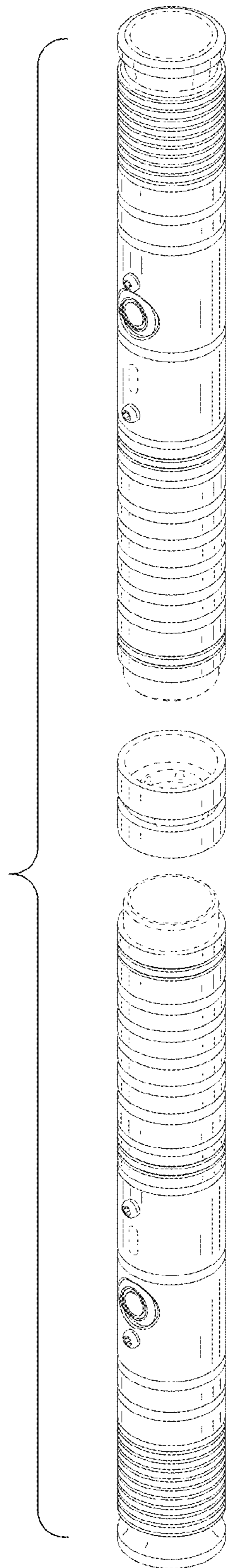


FIG. 9

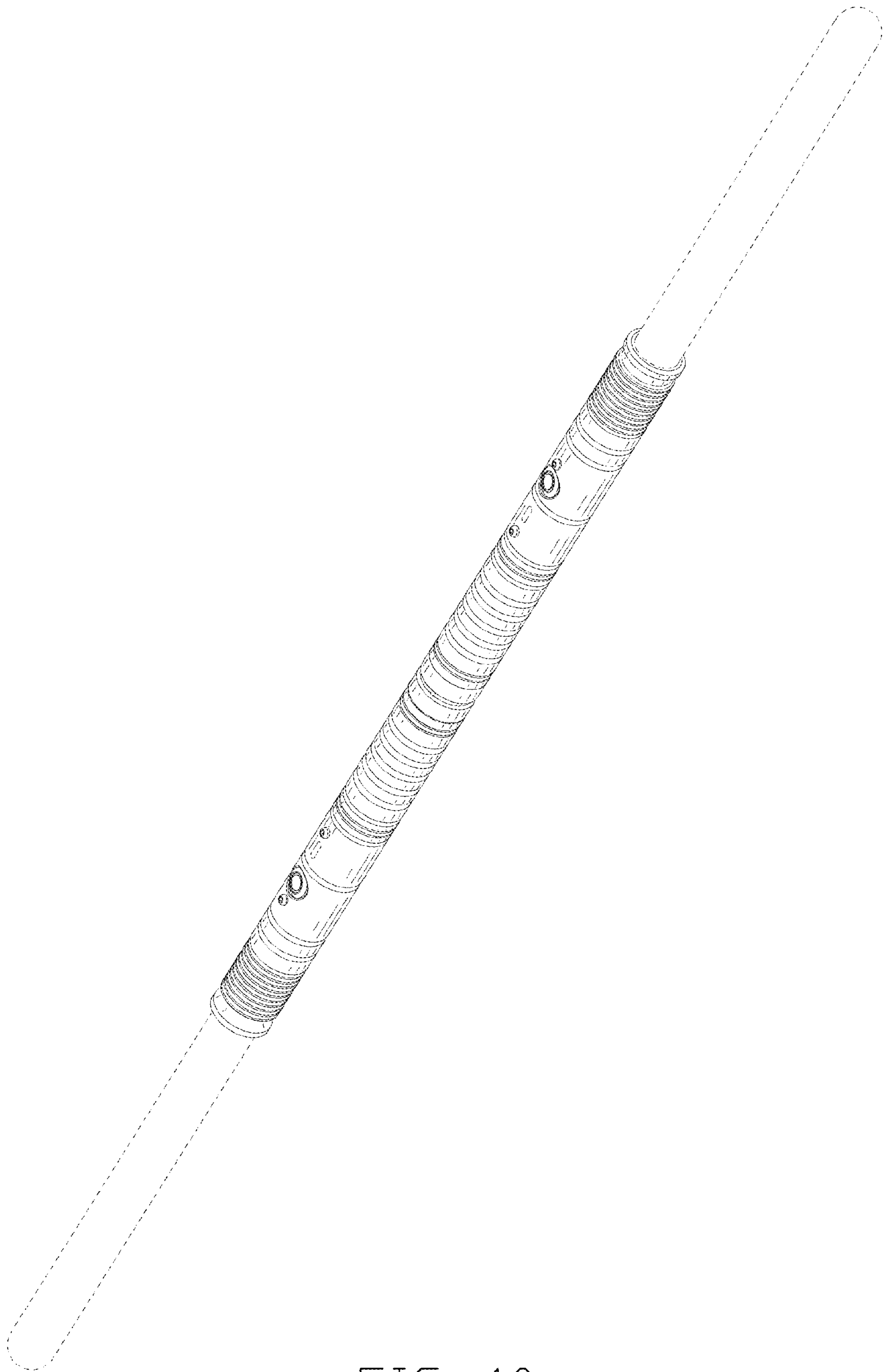


FIG. 10

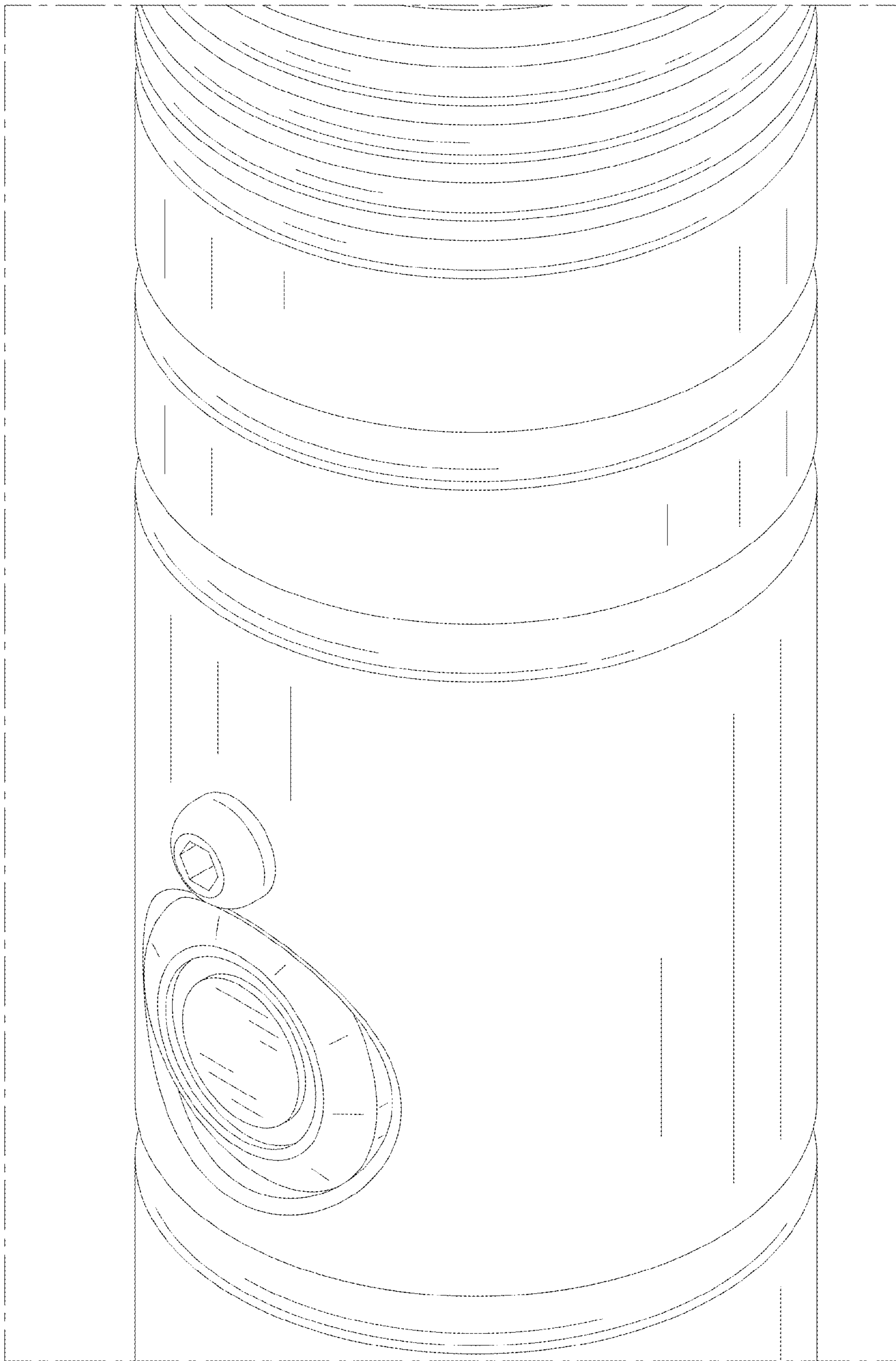


FIG. 11

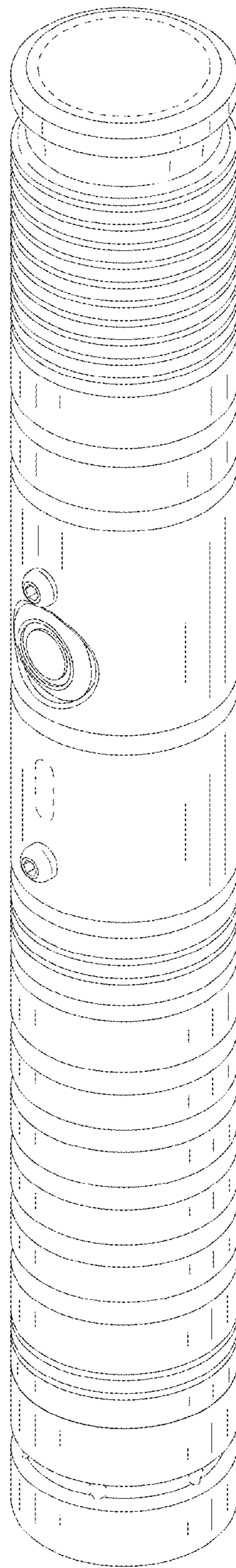


FIG. 12

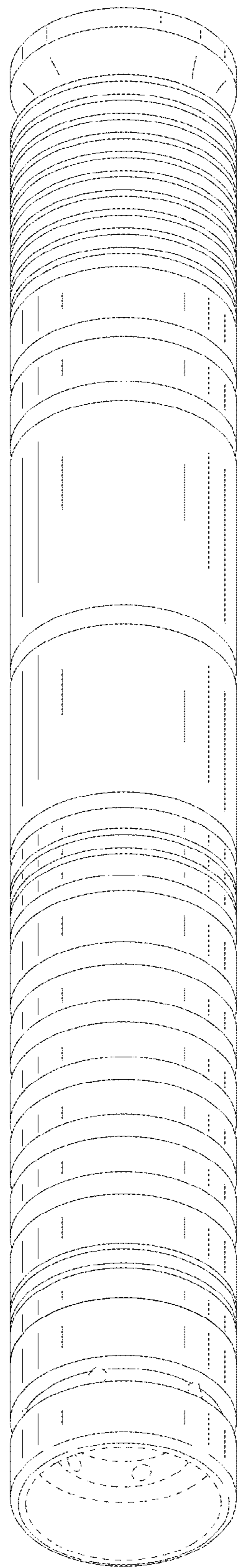


FIG. 13

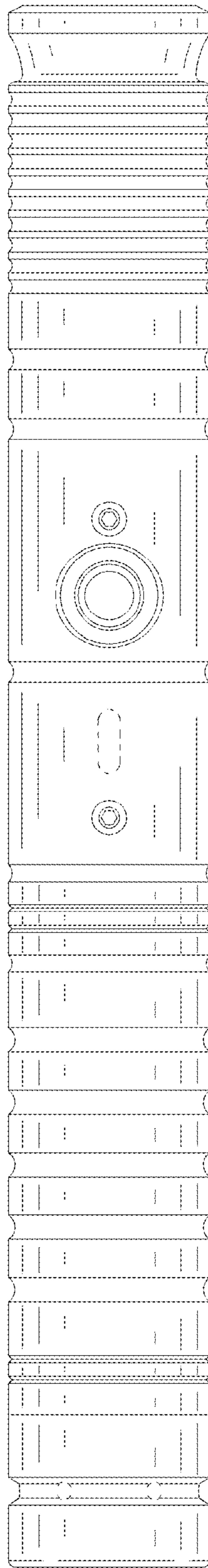


FIG. 14



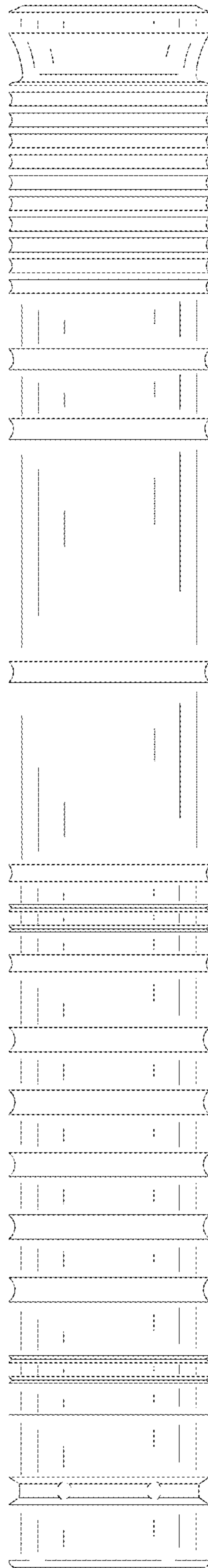


FIG. 15

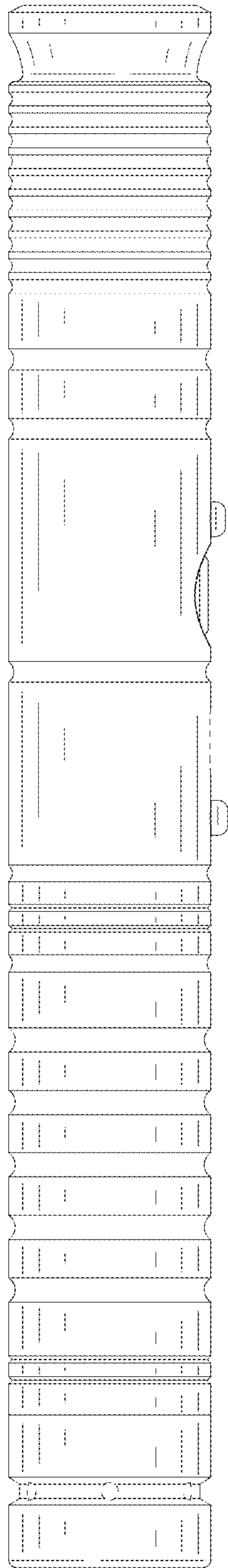


FIG. 16

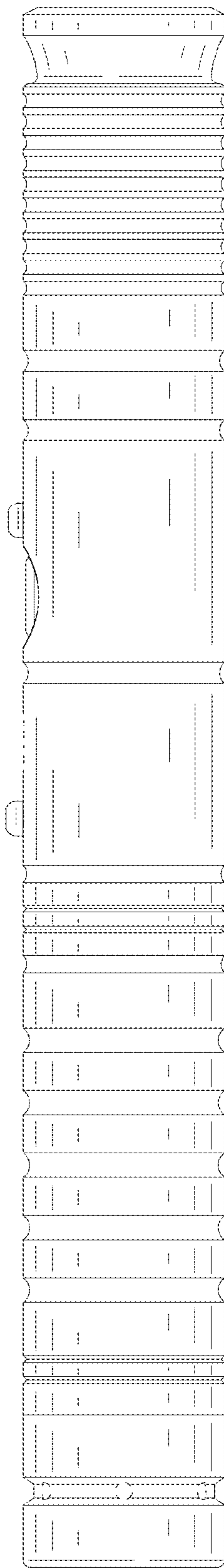


FIG. 17

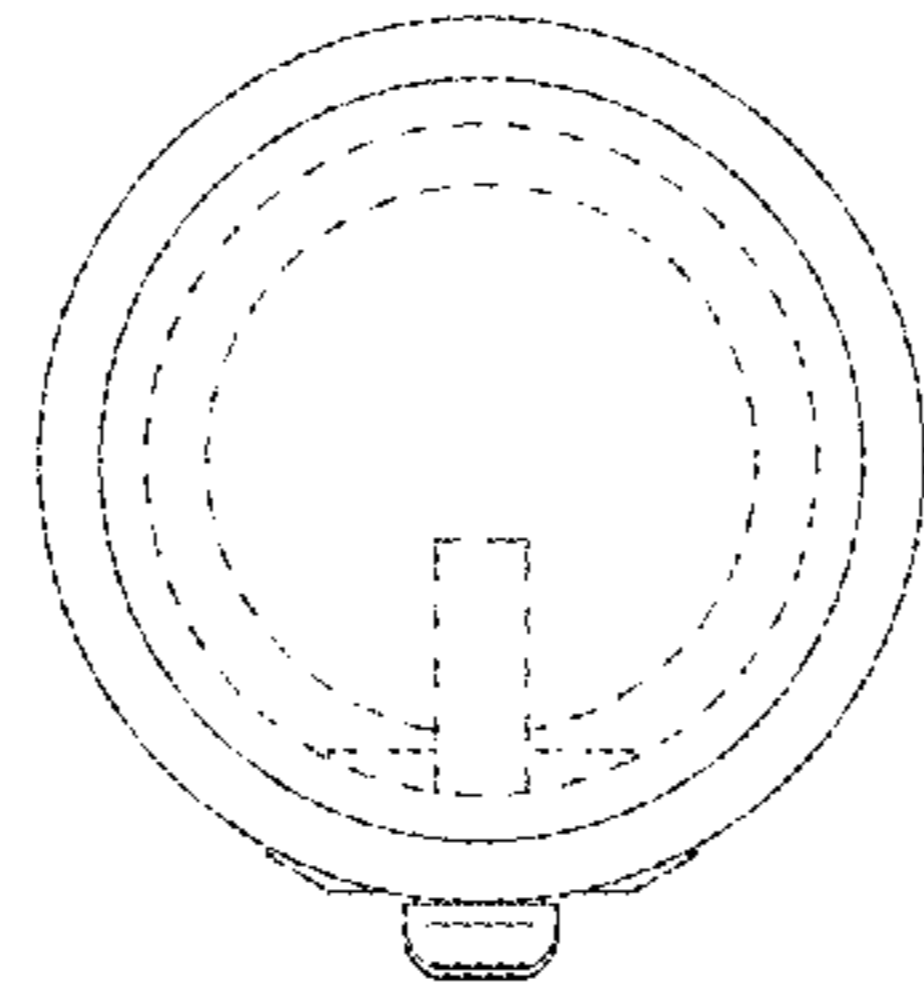


FIG. 18

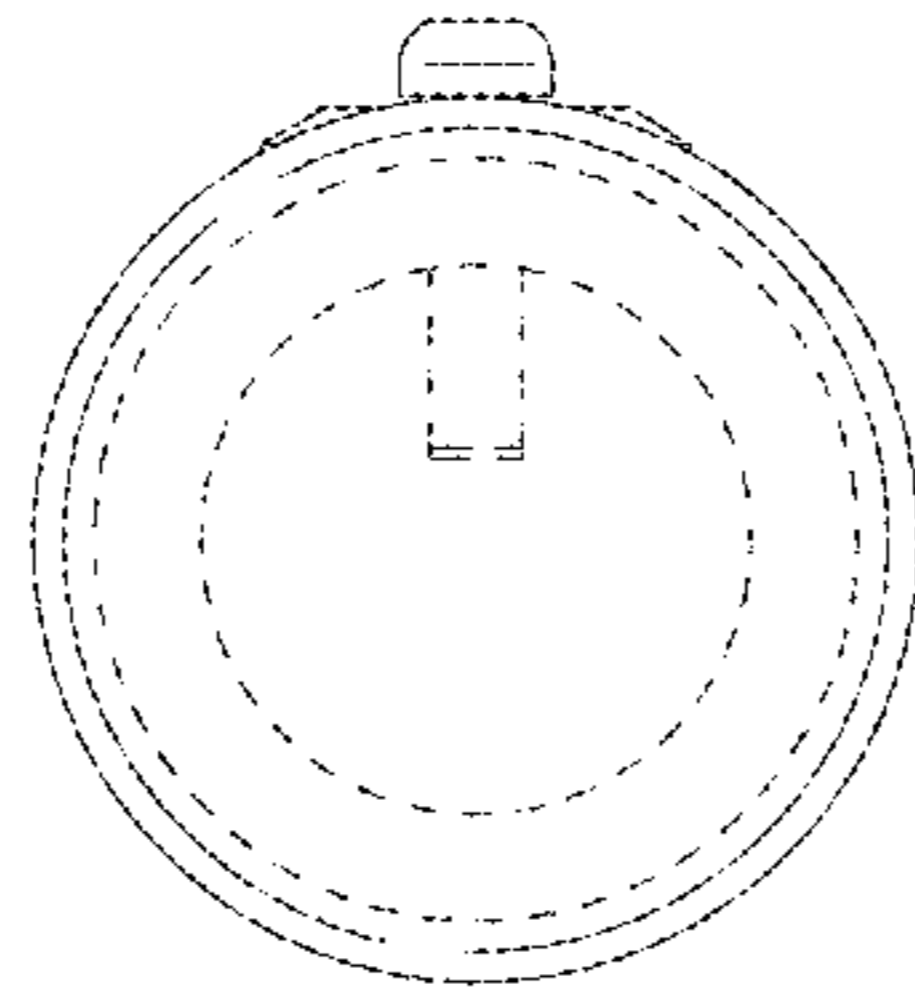


FIG. 19

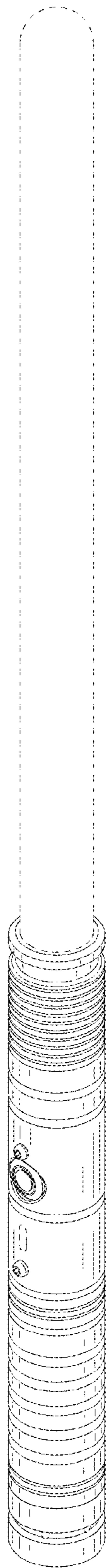


FIG. 20