



US00D982099S

(12) **United States Design Patent**
Wu

(10) **Patent No.:** **US D982,099 S**
(45) **Date of Patent:** **** Mar. 28, 2023**

(54) **TOY BOAT**

FOREIGN PATENT DOCUMENTS

(71) Applicant: **Shantou Simplex Toys Inc.**, Shantou (CN)

CN 202230365335.9 * 3/2022
RU 2016500919 * 3/2016

(72) Inventor: **YuQin Wu**, Shantou (CN)

OTHER PUBLICATIONS

(**) Term: **15 Years**

AHWZ, announced 2021[online], [site visited Dec. 20, 2022]. Available on internet, URL: <https://www.amazon.com/Fish-Finder-Fishing-Loading-Control/dp/B095J1YKVV/ref> (Year: 2021).*
Jopwkuin, announced 2021[online], [site visited Dec. 20, 2022]. Available on internet, URL: <https://www.amazon.com/dp/B09NL3HJH6/ref> (Year: 2021).*

(21) Appl. No.: **29/850,117**

(22) Filed: **Aug. 17, 2022**

(51) **LOC (14) Cl.** **21-01**

(52) **U.S. Cl.**
USPC **D21/542**

(58) **Field of Classification Search**
USPC D12/88, 93, 95, 301, 305, 308, 316, 300, D12/303; D21/542, 533, 548, 424, 425, D21/426, 427, 433, 450, 543, 545, 546, D21/550, 580, 581
See application file for complete search history.

* cited by examiner

Primary Examiner — Khawaja Anwar
Assistant Examiner — Julice Seung Eun Oum

(56) **References Cited**

U.S. PATENT DOCUMENTS

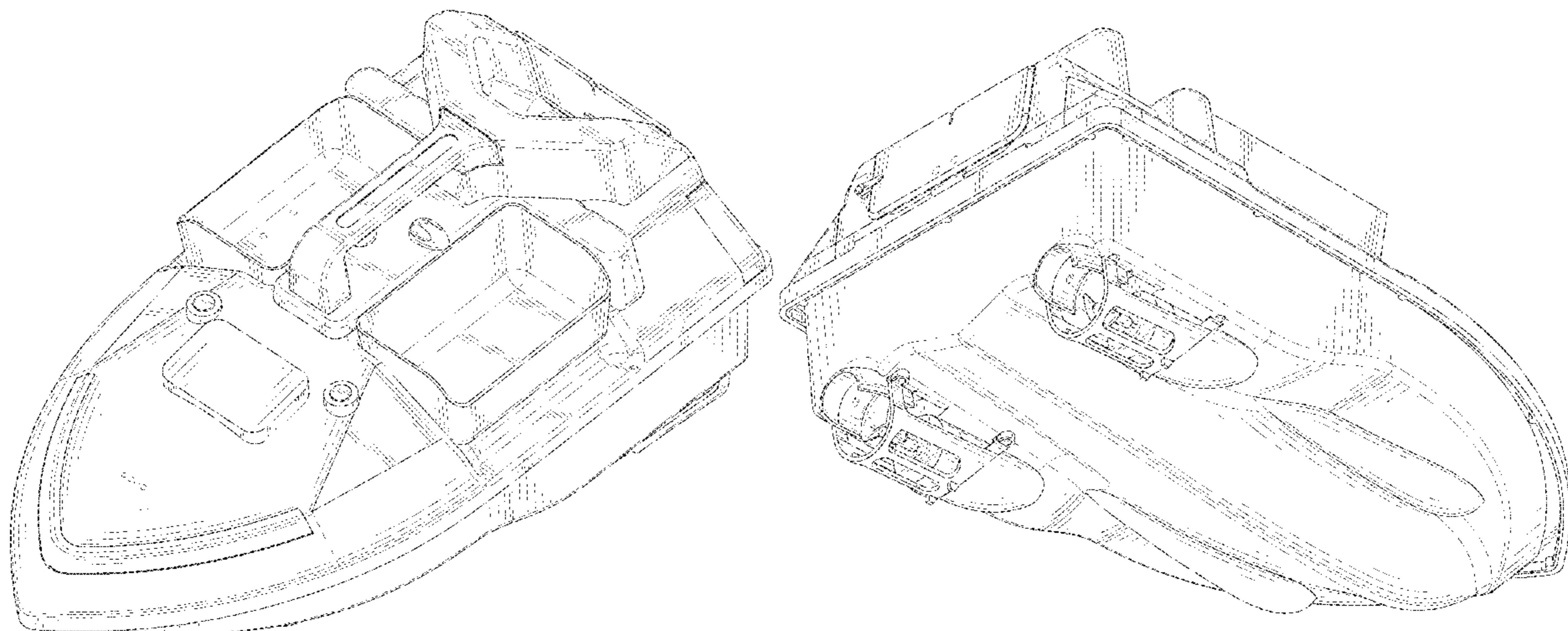
2,756,539	A *	7/1956	Hirsch	A63H 23/04
					446/163
2,881,558	A *	4/1959	Bell	A63H 23/04
					446/163
3,447,259	A *	6/1969	Cagen	A63H 23/04
					446/165
3,528,195	A *	9/1970	Cooper	A63H 23/04
					446/165
3,736,699	A *	6/1973	Nielsen	A63H 23/04
					446/165
D341,633	S	11/1993	Krebs		
D497,652	S *	10/2004	Chiu	D21/542
D508,962	S *	8/2005	Sapir	D21/542
2004/0224597	A1 *	11/2004	Rudell	A63H 23/04
					445/15

DESCRIPTION

(57) **CLAIM**
The ornamental design for a toy boat, as shown and described.

FIG. 1 is a front and top perspective view of a toy boat, showing my new design;
FIG. 2 is a rear and bottom perspective view thereof;
FIG. 3 is a front elevation view thereof;
FIG. 4 is a rear elevation view thereof;
FIG. 5 is a left side elevation view thereof;
FIG. 6 is a right side elevation view thereof;
FIG. 7 is a top plan view thereof; and,
FIG. 8 is a bottom plan view thereof.
The dashed lines in the figures illustrate portions of the toy boat that form no part of the claimed design.

1 Claim, 8 Drawing Sheets



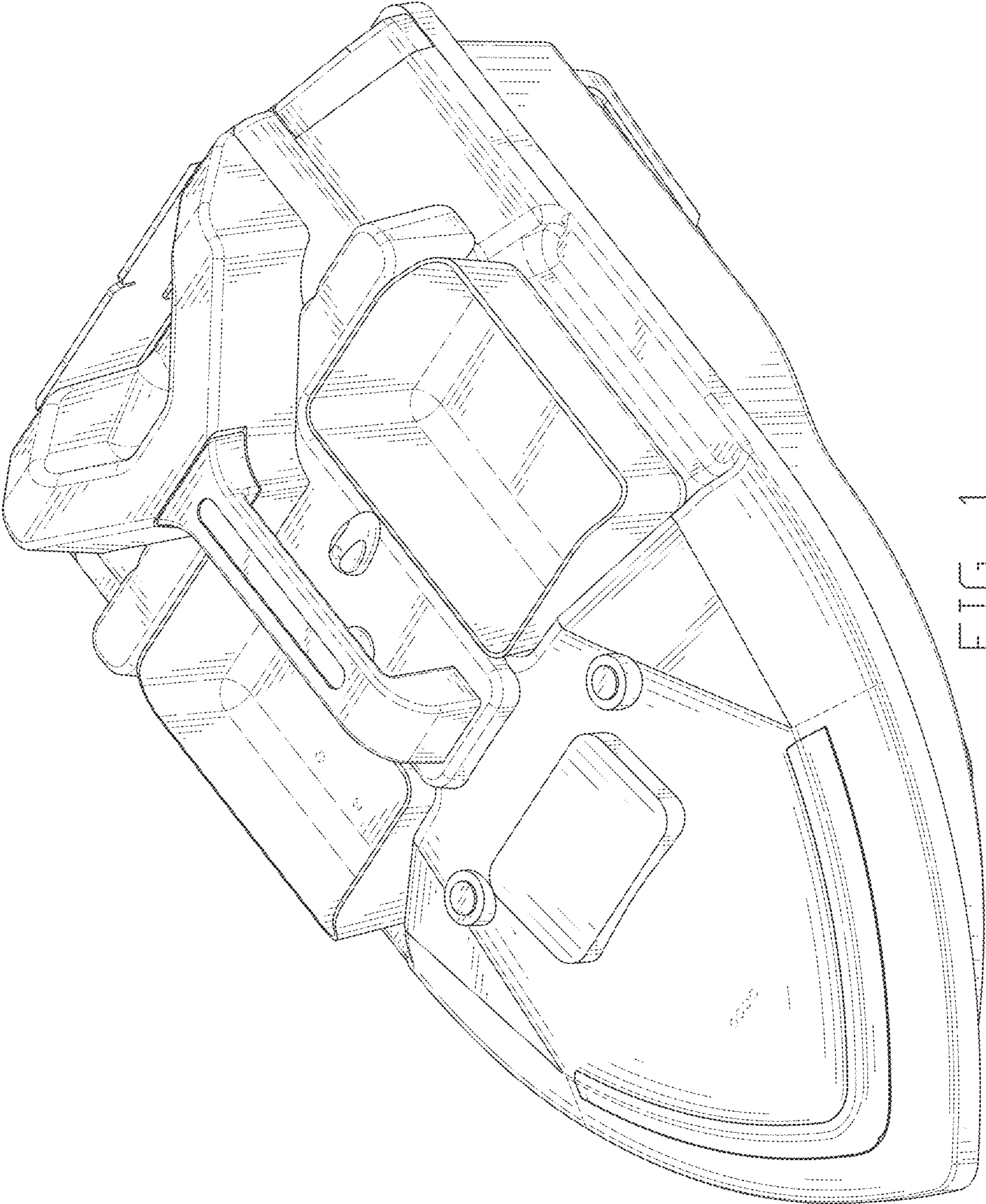


FIG. 1

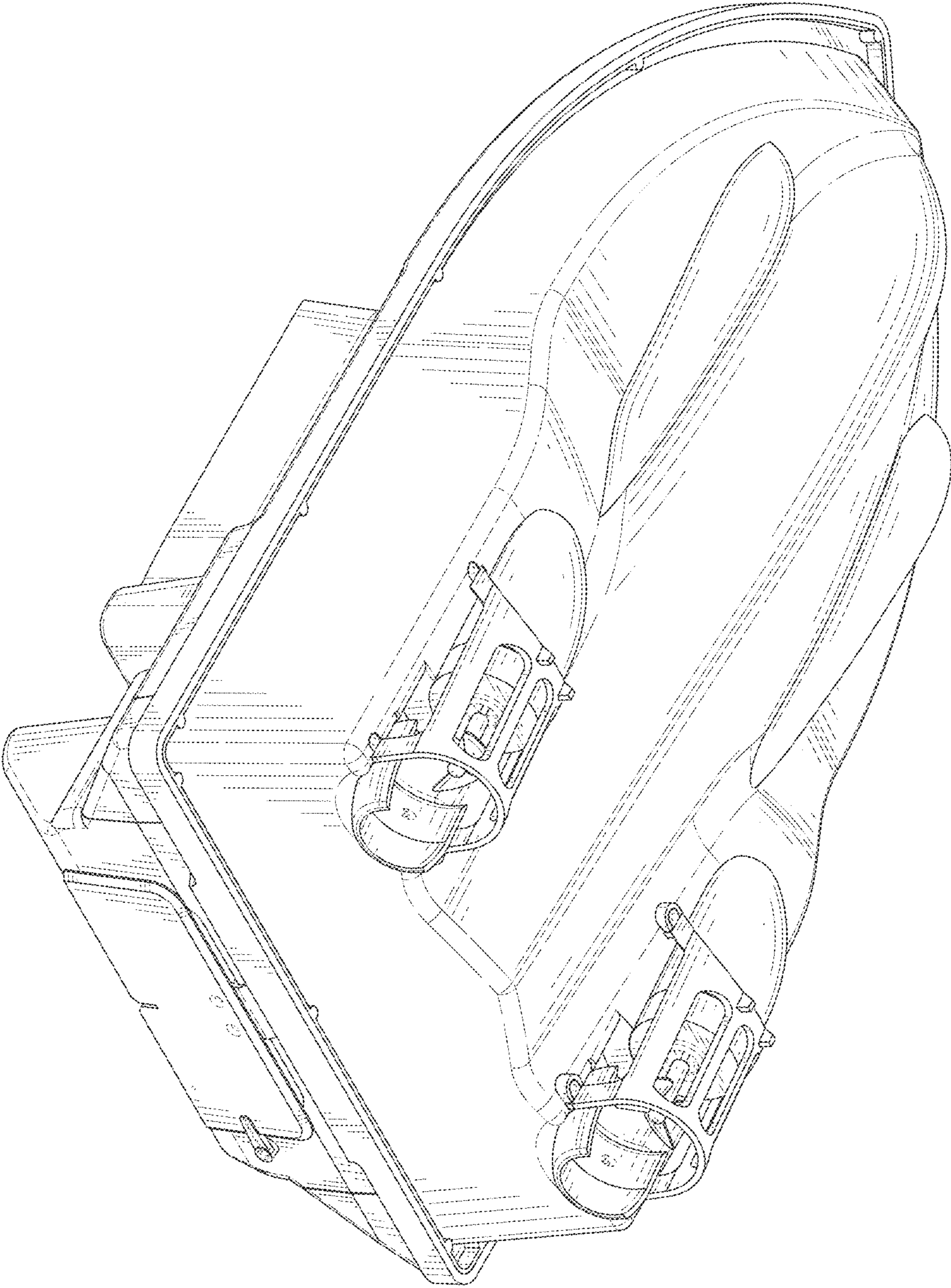


FIG. 2

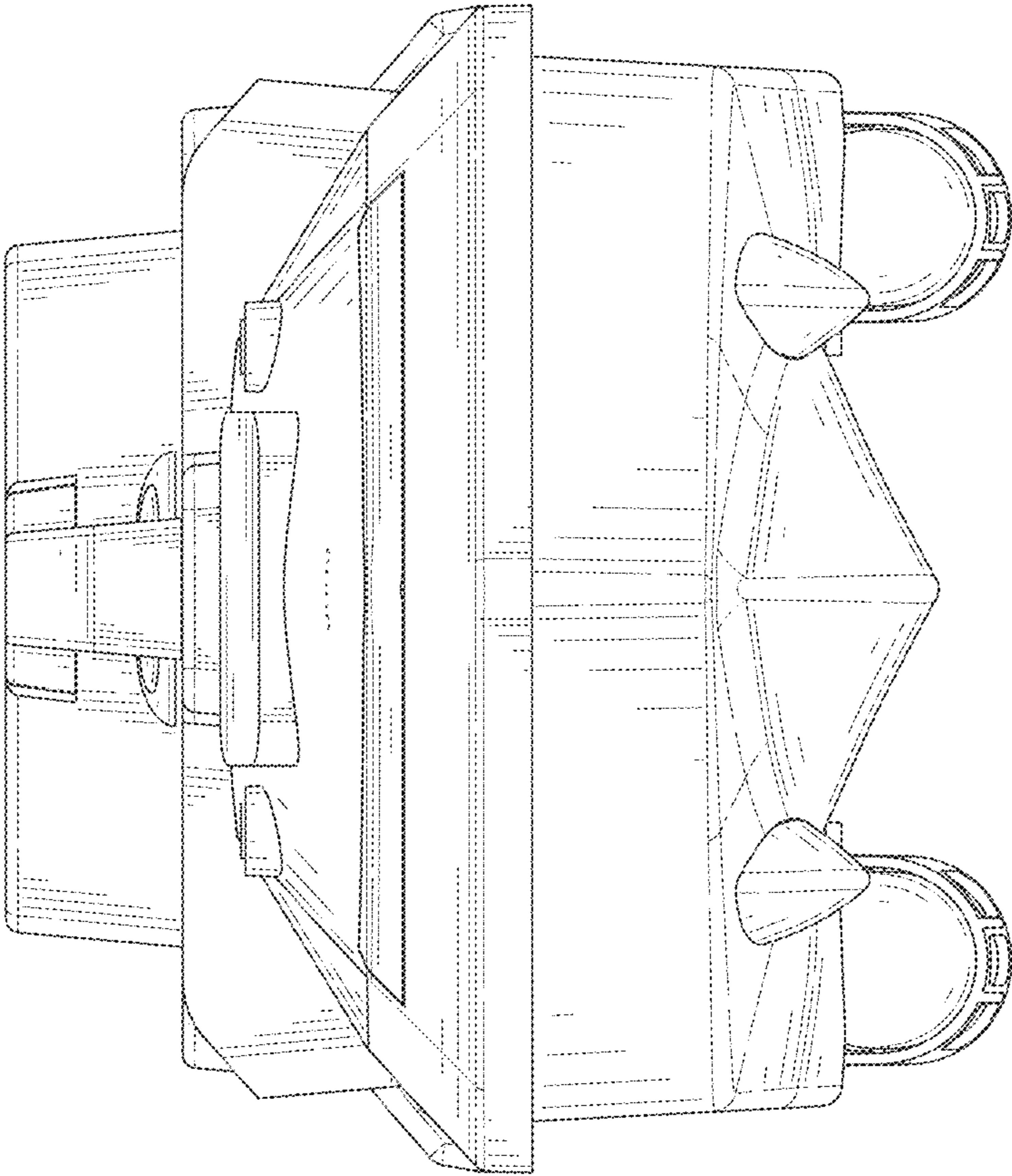


FIG. 3

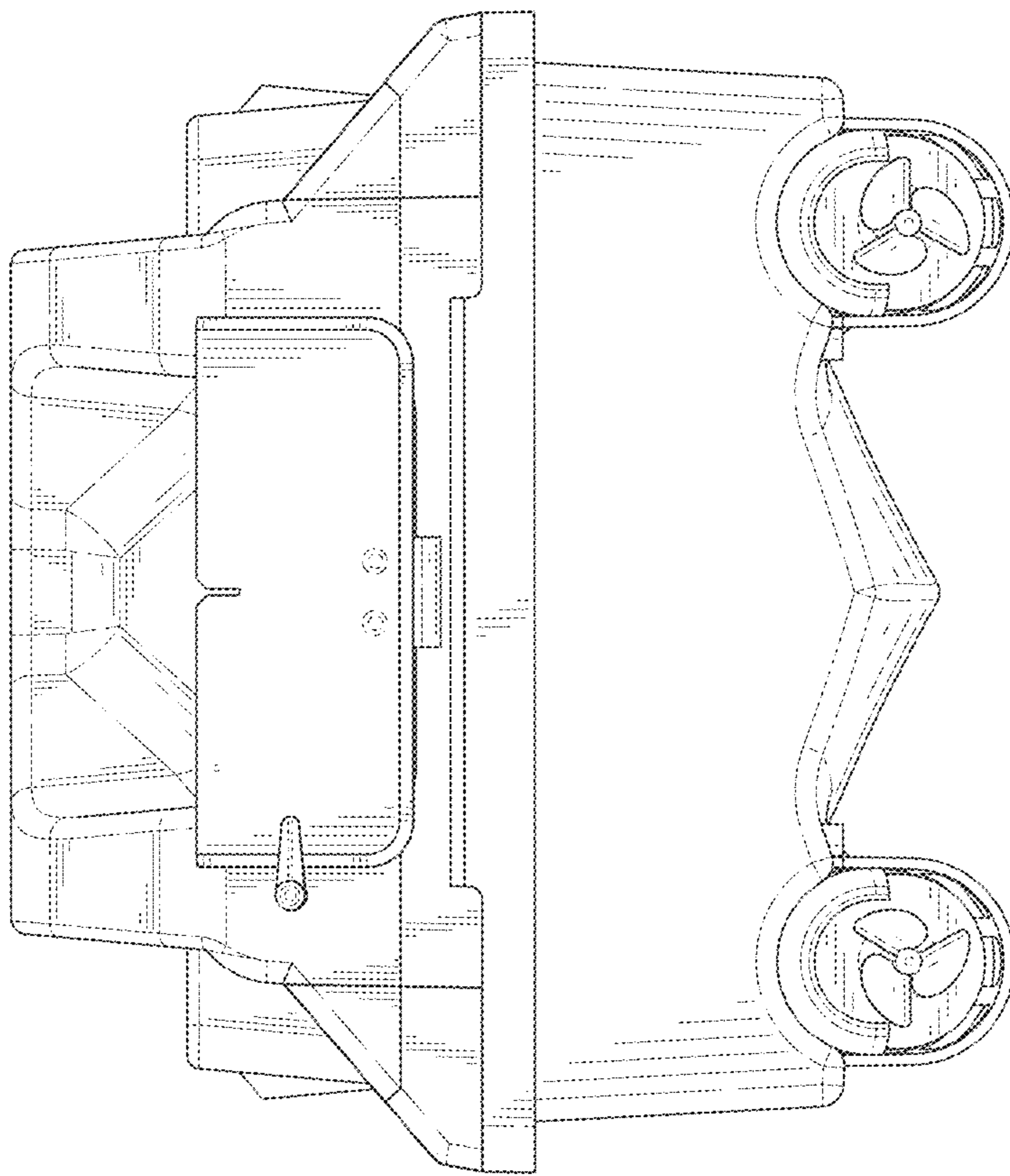


FIG. 4

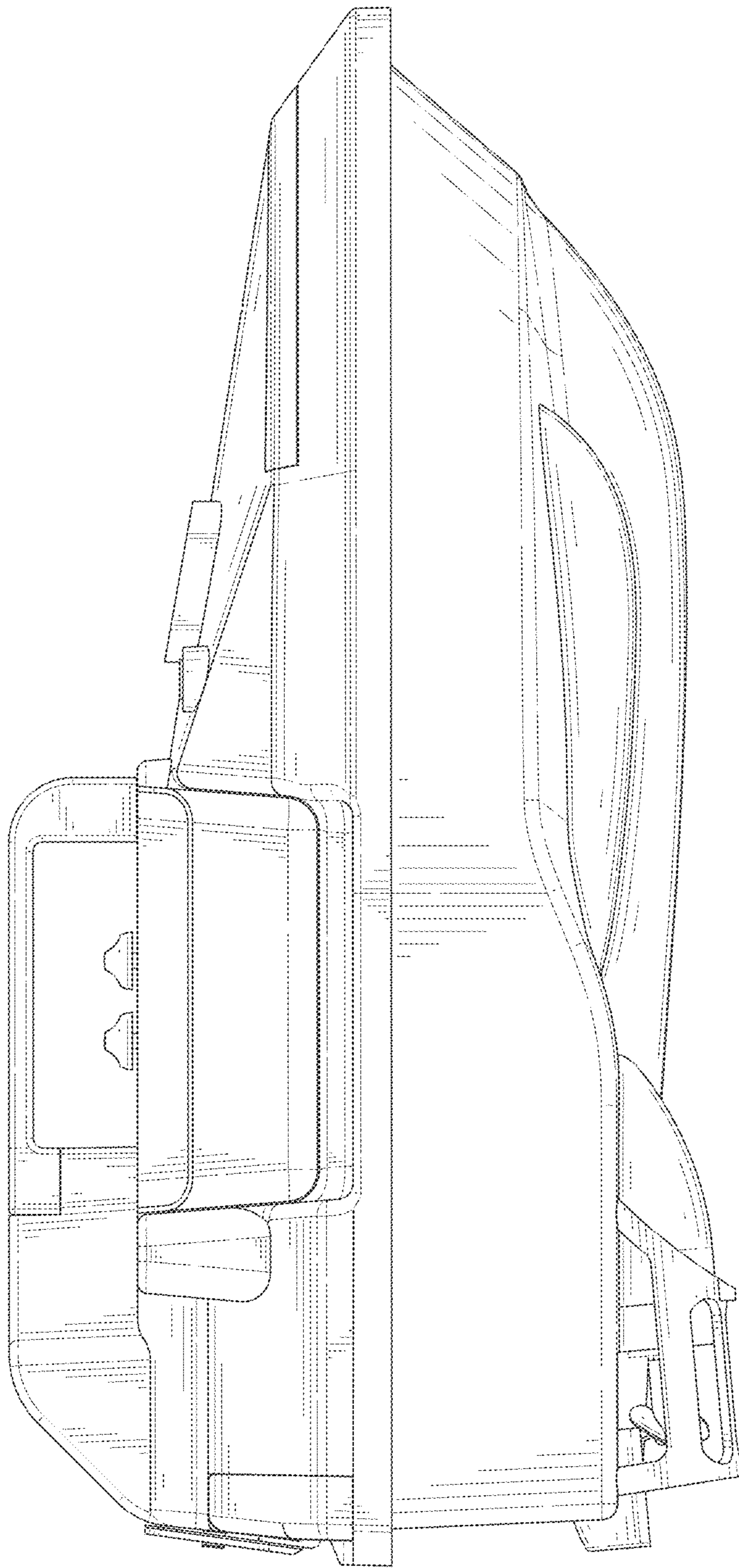


FIG. 5

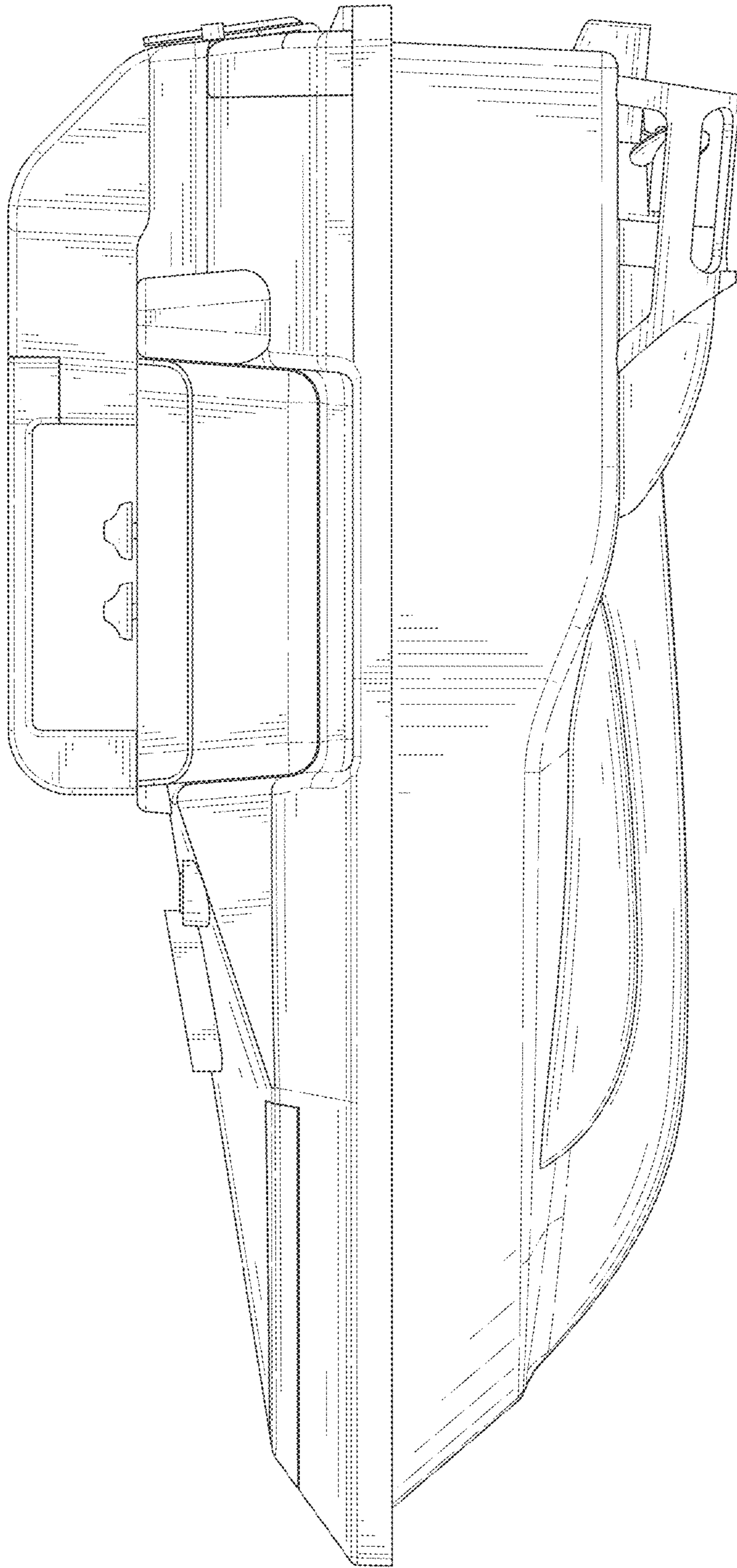


FIG. 6

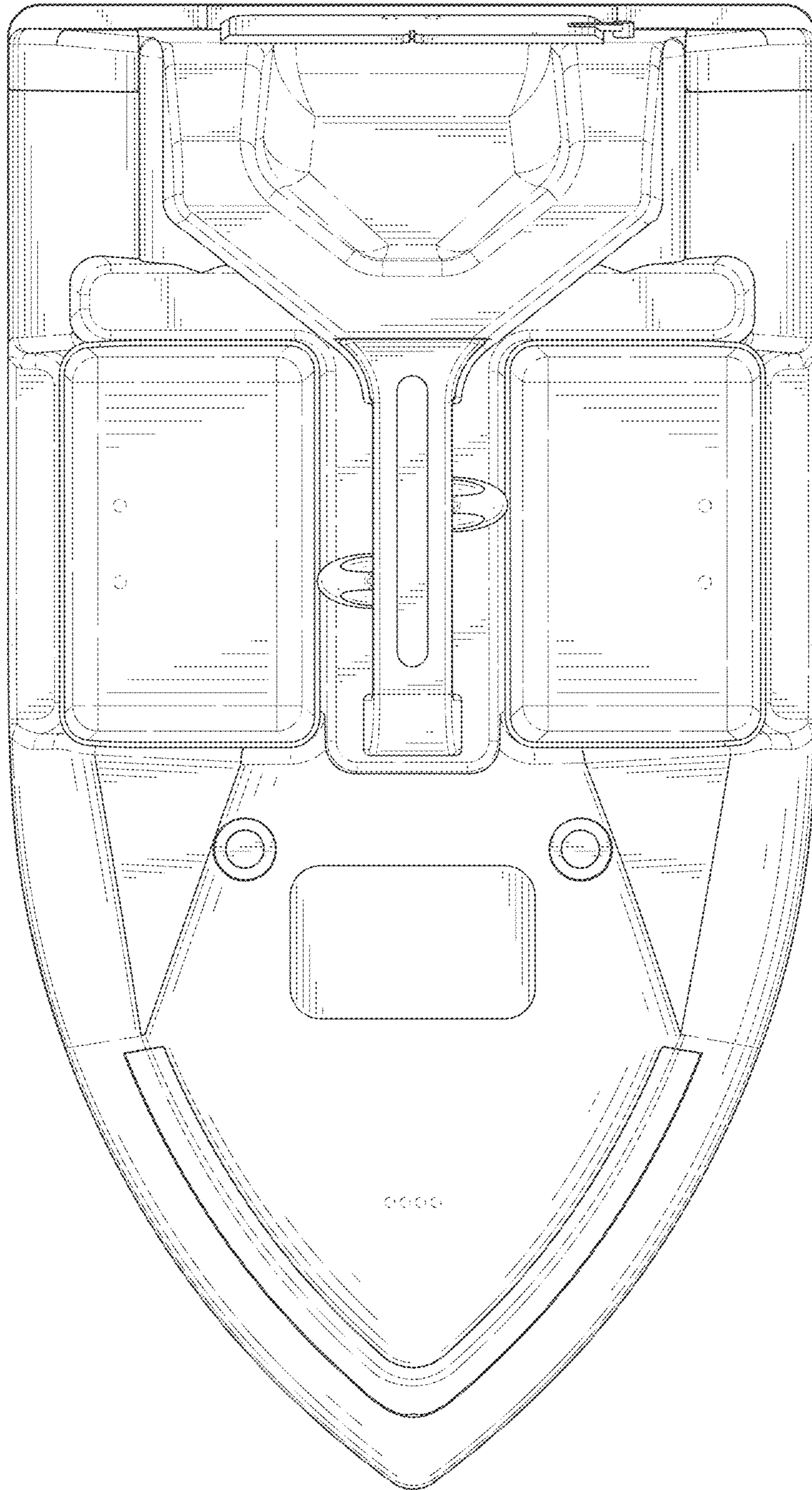


FIG. 7

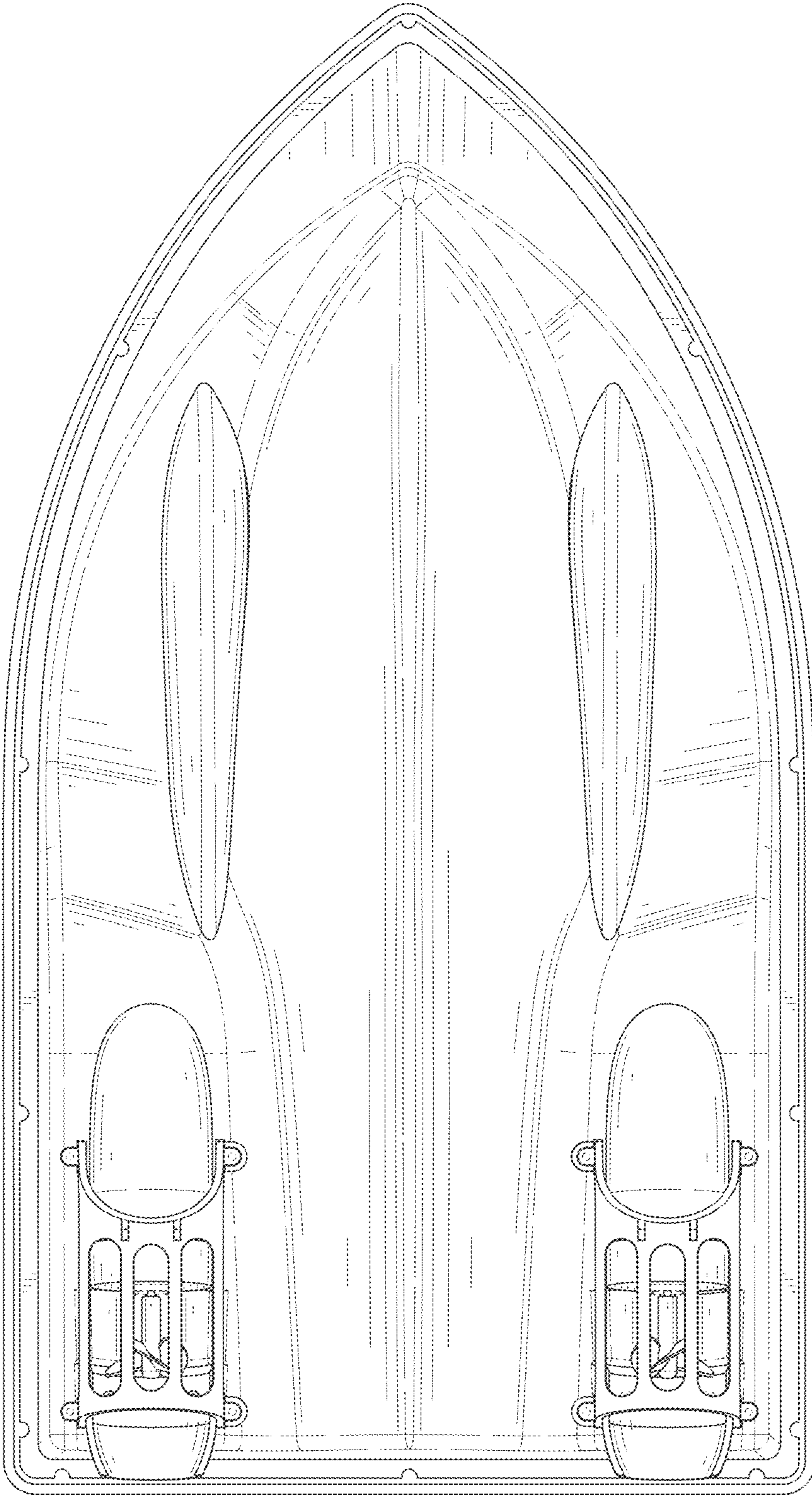


FIG. 8