



US00D982098S

(12) **United States Design Patent**
Chen

(10) **Patent No.:** **US D982,098 S**
(45) **Date of Patent:** **** Mar. 28, 2023**

(54) **AMPHIBIOUS TOY**
(71) Applicant: **Yisheng Chen**, Guangdong (CN)
(72) Inventor: **Yisheng Chen**, Guangdong (CN)
(**) Term: **15 Years**
(21) Appl. No.: **29/820,522**
(22) Filed: **Dec. 22, 2021**

D936,757 S 11/2021 Cai
D938,528 S * 12/2021 Lin D21/548
D941,400 S * 1/2022 Xu D21/533
D952,762 S * 5/2022 Shen D21/548

OTHER PUBLICATIONS

4DRC C4 RC Car Amphibious Remote control car boat, May 4, 2022, amazon.com, retrieved Aug. 4, 2022, https://www.amazon.com/4DRC-Amphibious-Control-Monster-Vehicles/dp/B0975ZF133/ref=cm_cr_ar_p_d_product_top?ie=UTF8 (Year: 2022).*
Hony Store, Amphibious RC Car, amazon.com, on or before Mar. 9, 2021, retrieved Aug. 4, 2022, https://www.amazon.com/Amphibious-Control-Waterproof-Monster-Vehicle/dp/B08NT17R7K/ref=cm_cr_ar_p_d_product_top?ie=UTF8 (Year: 2021).*

(30) **Foreign Application Priority Data**

Aug. 4, 2021 (CN) 202130502681.2

(51) **LOC (14) Cl.** **21-01**
(52) **U.S. Cl.**
USPC **D21/533; D21/542**
(58) **Field of Classification Search**
USPC D21/533, 548-552, 557-561
CPC A63H 17/262; A63H 17/26; A63H 17/00;
A63H 17/004; A63H 17/045; A63H
17/05; A63H 30/00

See application file for complete search history.

* cited by examiner

Primary Examiner — Katherine A Holbrow

(57) **CLAIM**

The ornamental design for an amphibious toy, as shown and described.

DESCRIPTION

FIG. 1 is a perspective view of an amphibious toy design showing my new design.

FIG. 2 is a front view of an amphibious toy.

FIG. 3 is a rear view of an amphibious toy.

FIG. 4 is a left side view of an amphibious toy.

FIG. 5 is a right side view of an amphibious toy.

FIG. 6 is a top view of an amphibious toy.

FIG. 7 is a bottom view of an amphibious toy; and,

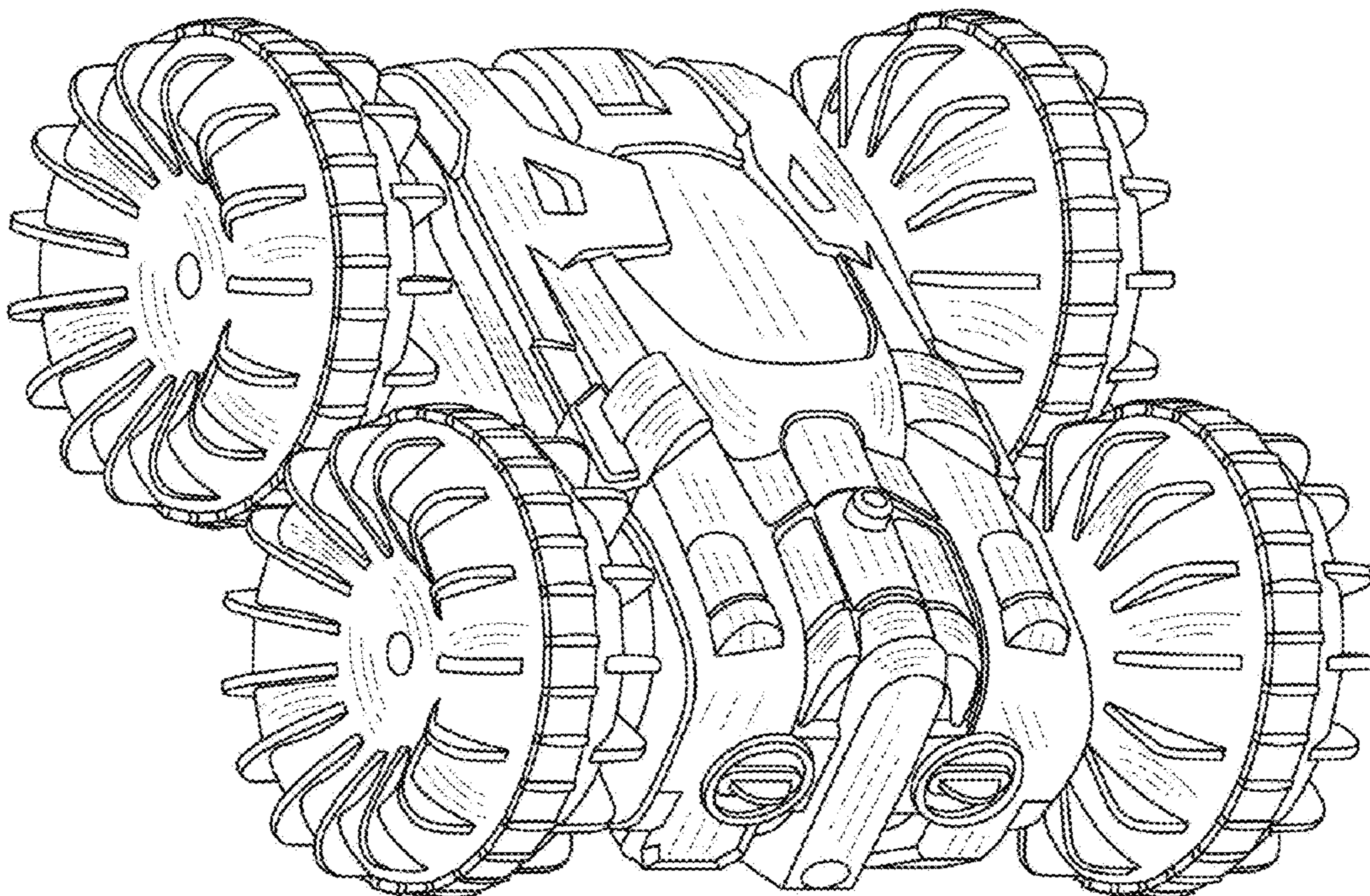
FIG. 8 is a bottom side perspective view of an amphibious toy.

(56) **References Cited**

U.S. PATENT DOCUMENTS

D377,956 S 2/1997 Chuang
D498,798 S 11/2004 Wei
D534,967 S 1/2007 Clark et al.
D803,329 S 11/2017 Tompkin
D825,684 S * 8/2018 Gan D21/548
D834,110 S * 11/2018 Tompkin D21/549
D837,307 S 1/2019 Jin
10,843,094 B1 * 11/2020 Balanchi A63H 30/04
D926,264 S 7/2021 Cai

1 Claim, 8 Drawing Sheets



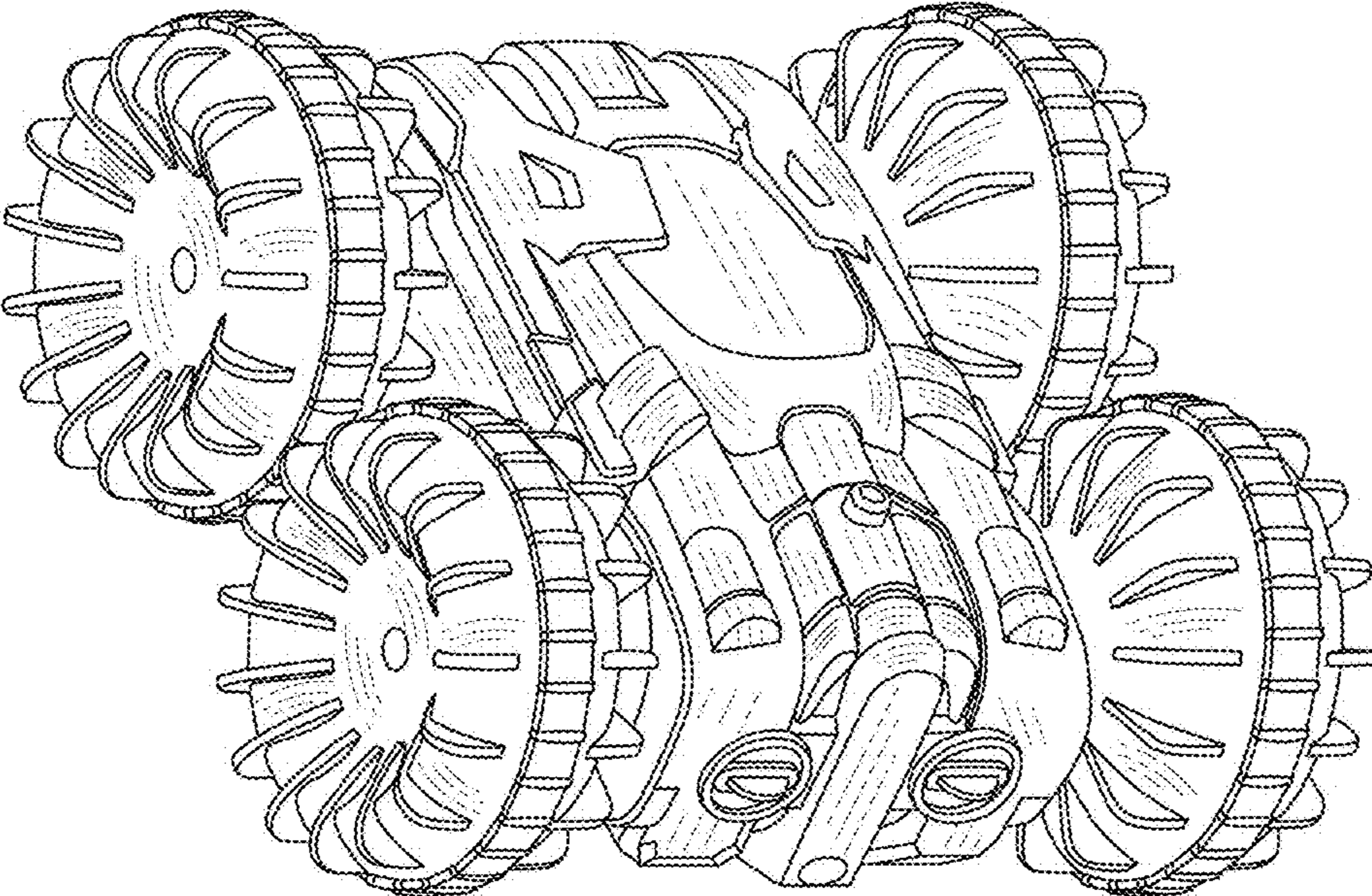


FIG. 1

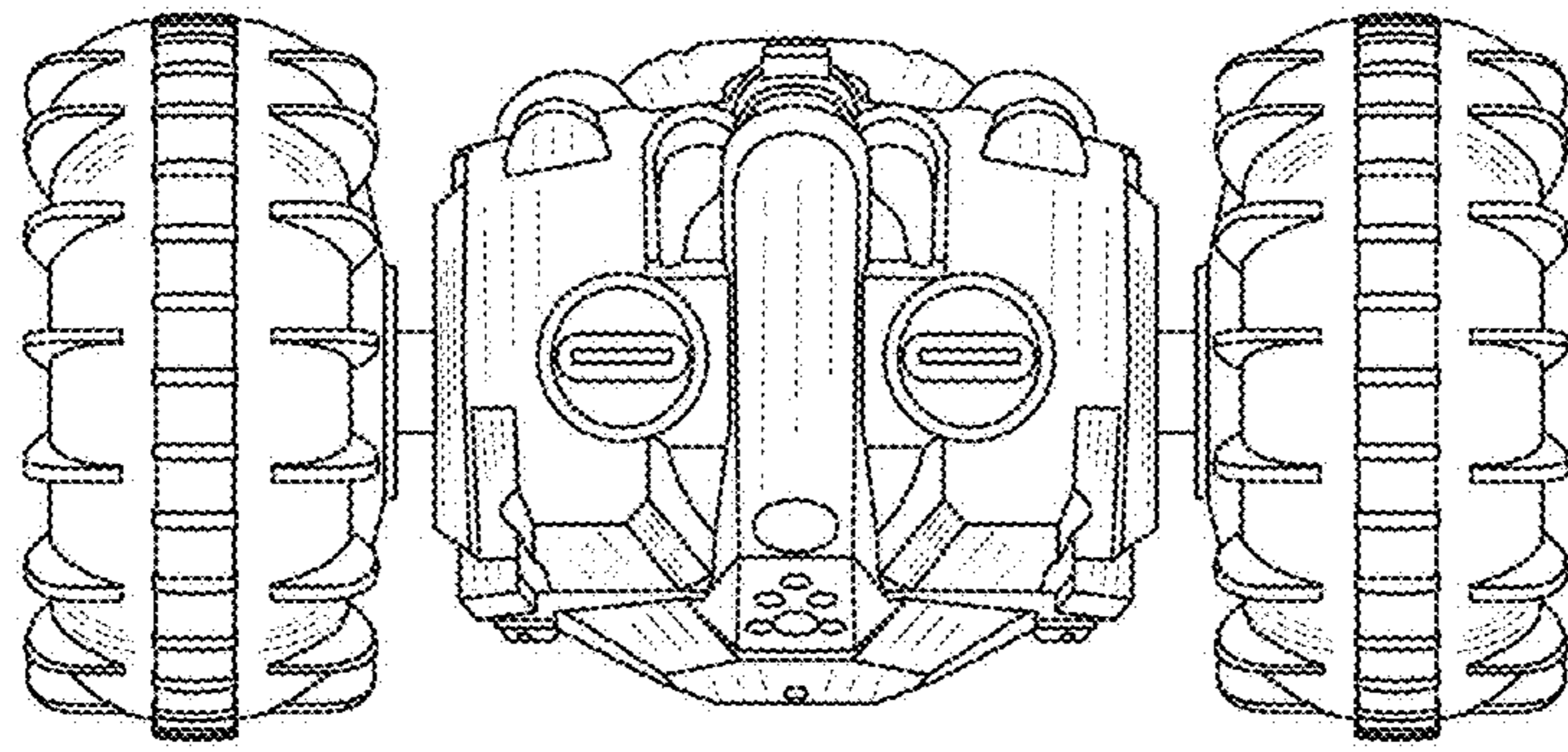


FIG. 2

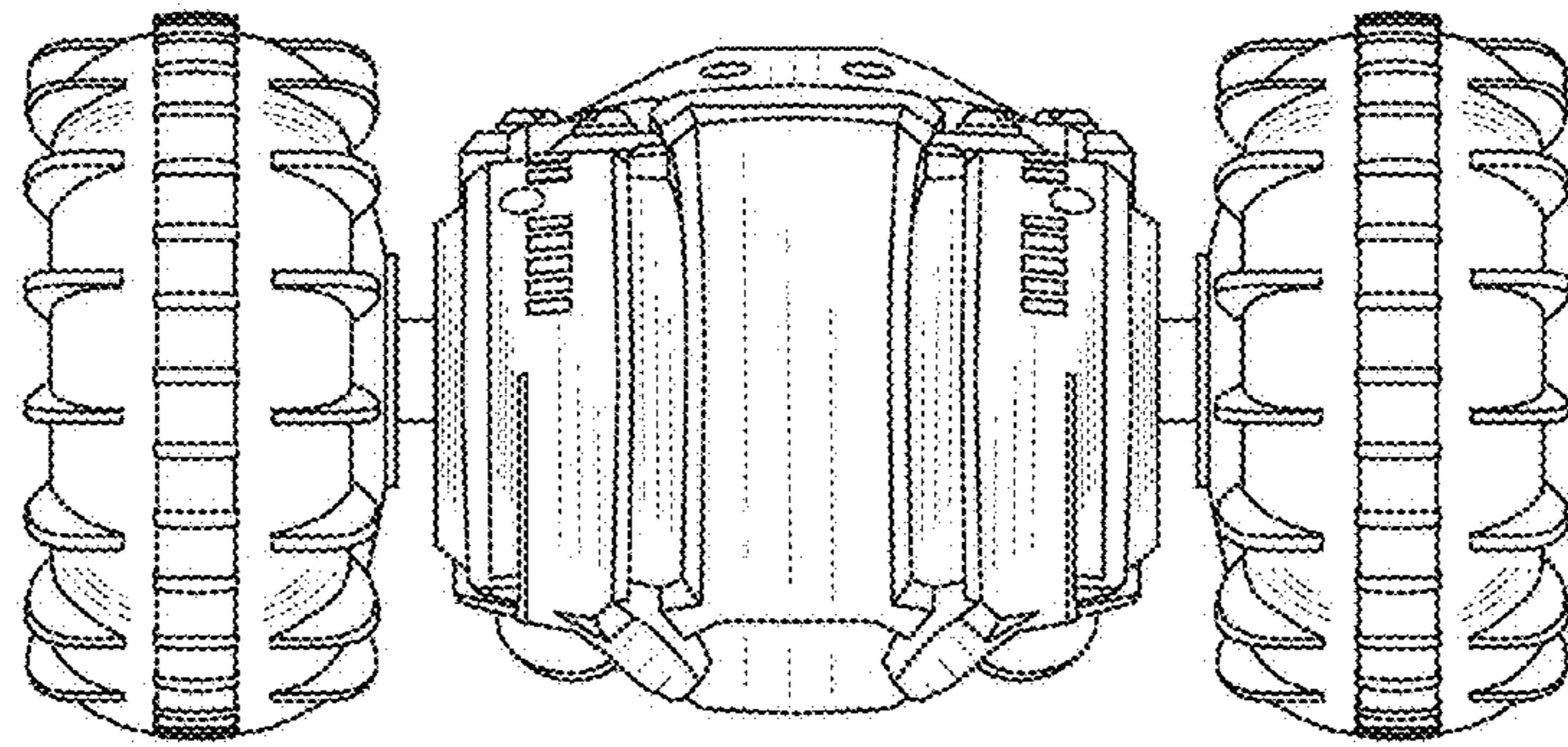


FIG. 3

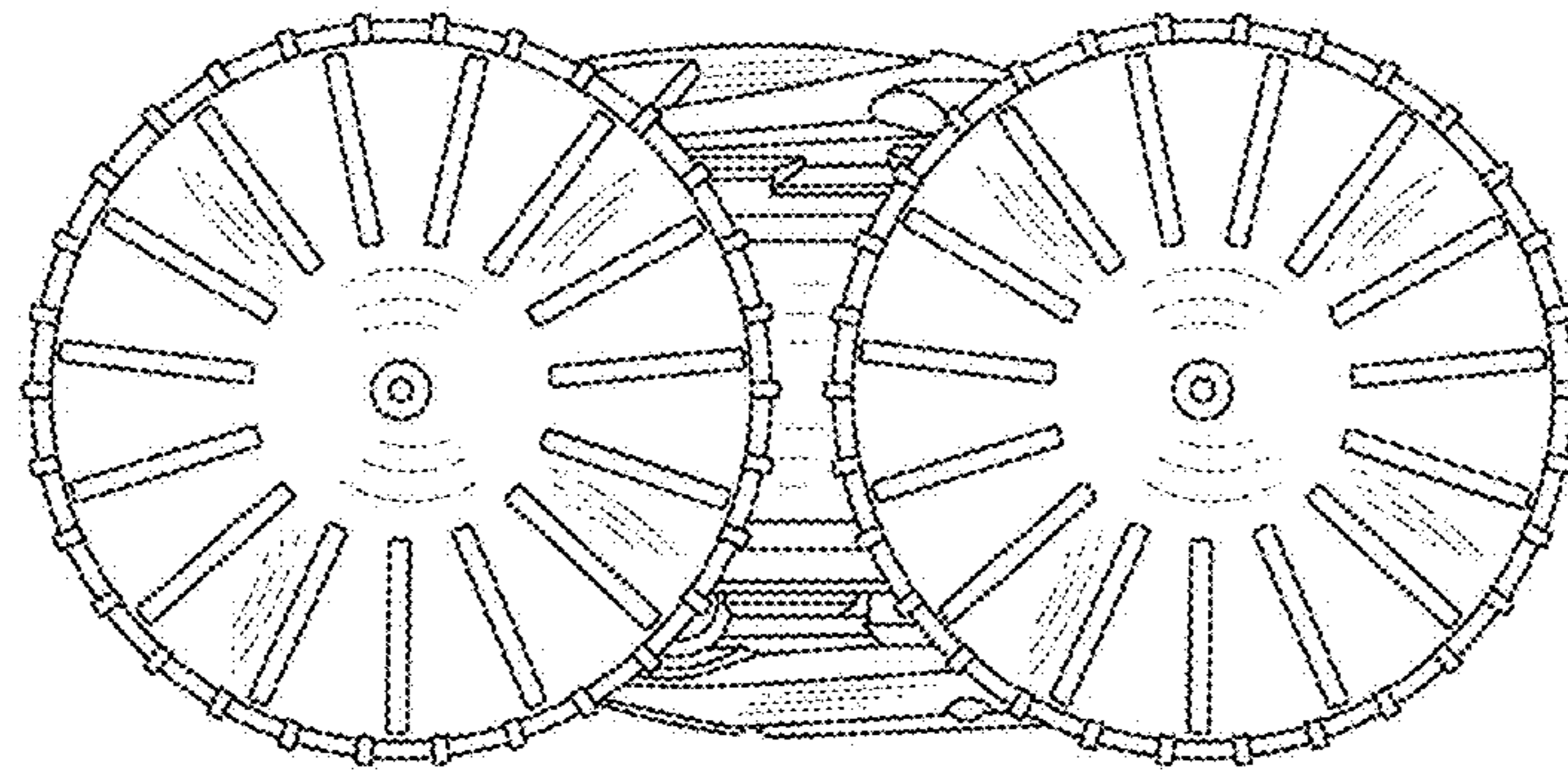


FIG. 4

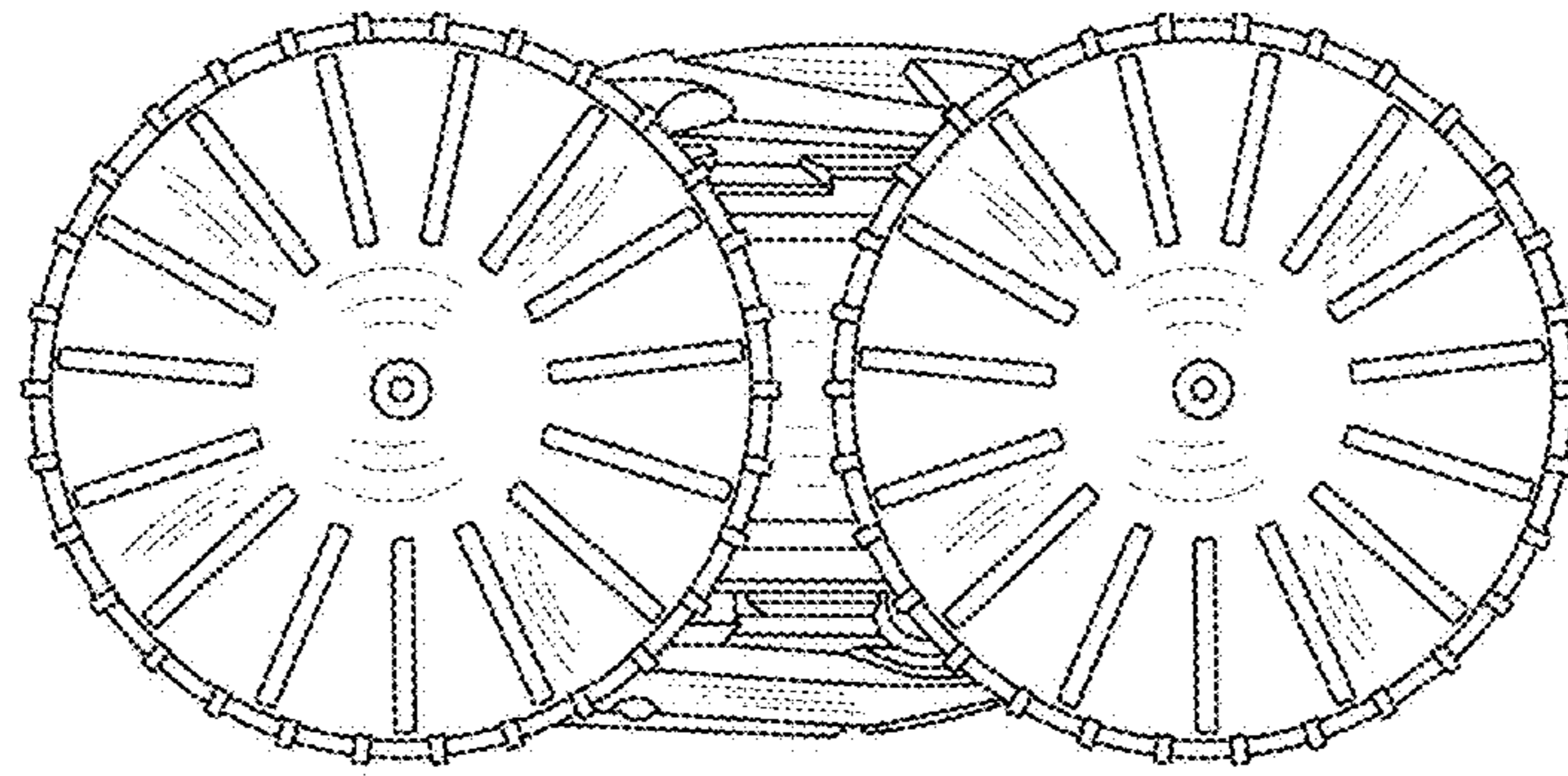


FIG. 5

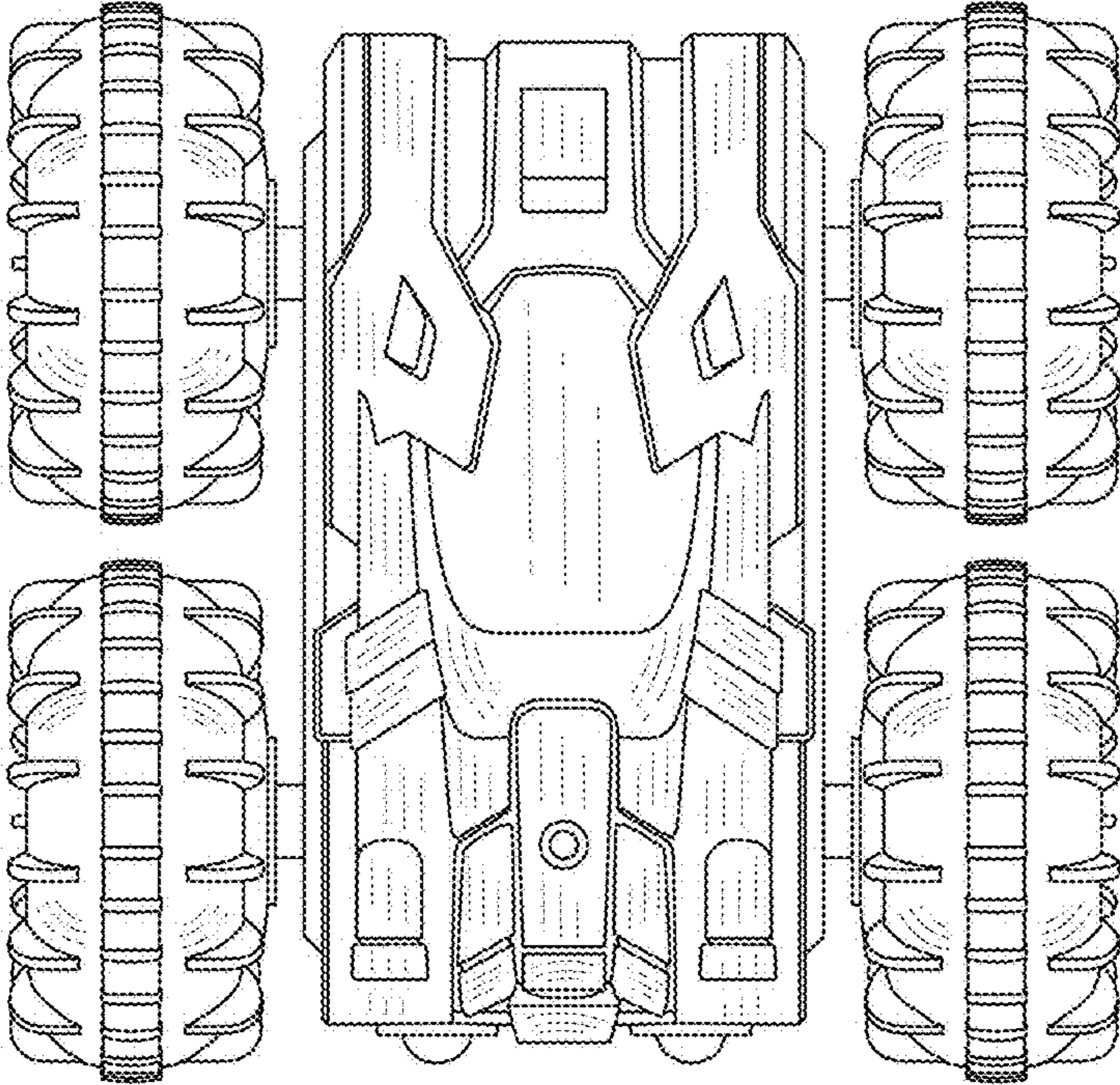


FIG. 6

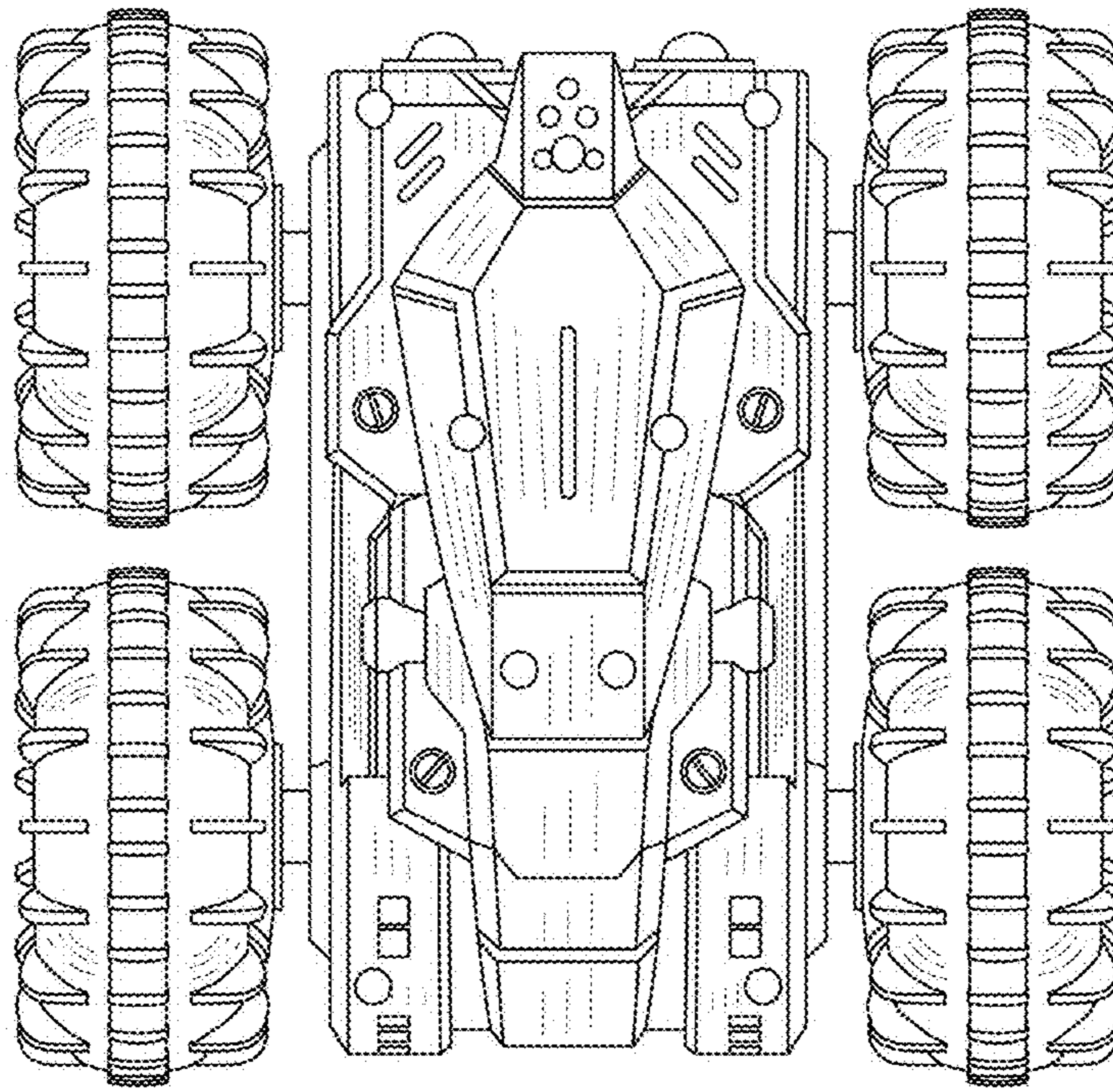


FIG. 7

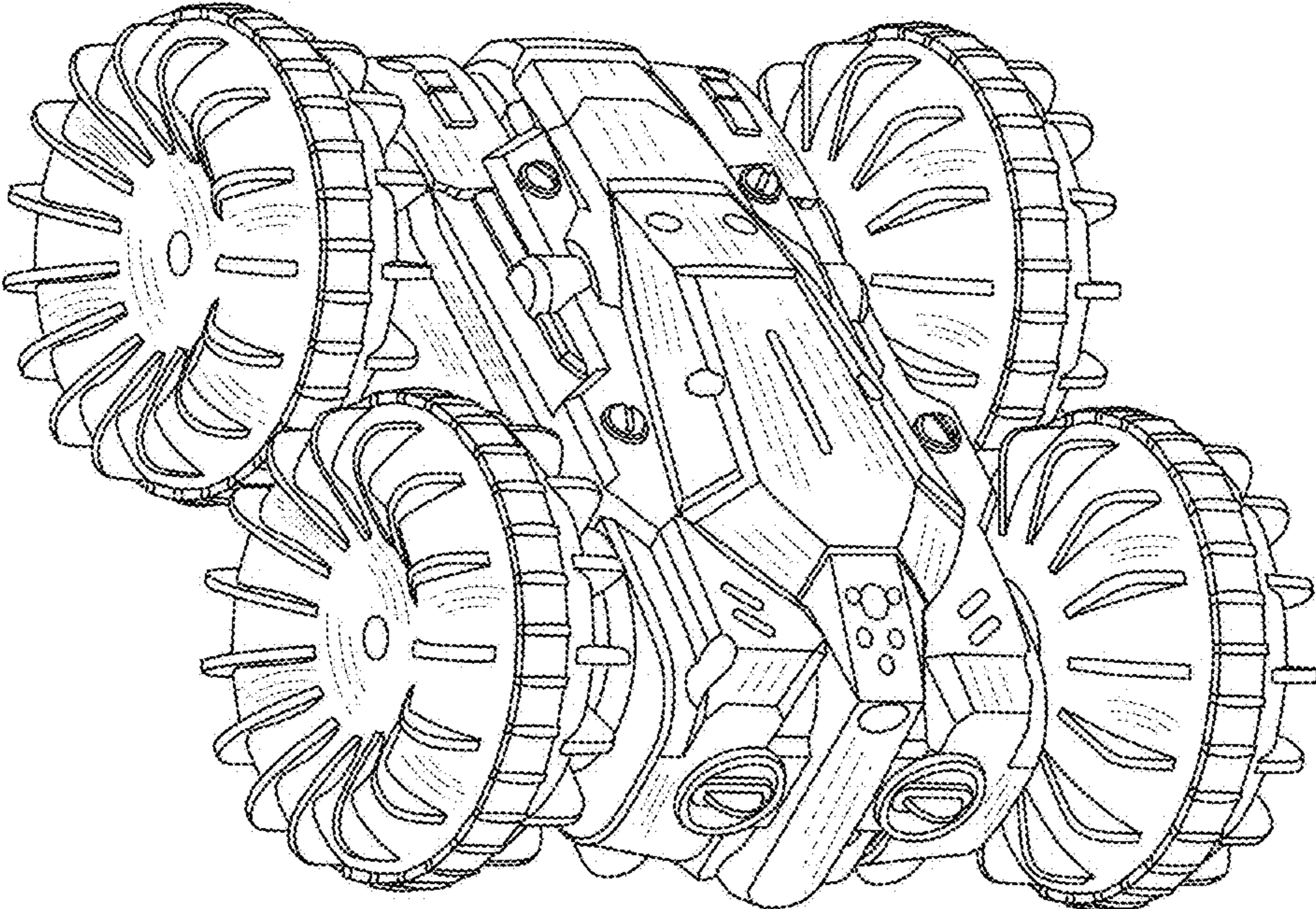


FIG. 8