



US00D982097S

(12) **United States Design Patent**  
**Chen**

(10) **Patent No.:** **US D982,097 S**  
(45) **Date of Patent:** **\*\* Mar. 28, 2023**

(54) **REMOTE-CONTROLLED TOY**

(71) Applicant: **Rongbin Chen**, Guangdong (CN)

(72) Inventor: **Rongbin Chen**, Guangdong (CN)

(\*\*) Term: **15 Years**

(21) Appl. No.: **29/749,099**

(22) Filed: **Sep. 2, 2020**

(51) **LOC (14) Cl.** ..... **21-01**

(52) **U.S. Cl.**

USPC ..... **D21/533**

(58) **Field of Classification Search**

USPC ..... D21/533, 548, 549, 550, 561, 562, 580,  
D21/581

CPC ..... A63H 30/00; A63H 30/04

See application file for complete search history.

(56) **References Cited**

**U.S. PATENT DOCUMENTS**

D362,280	S	*	9/1995	George	.....	D21/550
5,727,985	A	*	3/1998	George	.....	A63H 17/004 446/470
6,095,890	A	*	8/2000	George	.....	A63H 17/004 446/470
7,234,992	B2	*	6/2007	Weiss	.....	A63H 17/28 446/454
D938,528	S	*	12/2021	Lin	.....	D21/548
D939,637	S	*	12/2021	Wang	.....	D21/533
D941,400	S	*	1/2022	Xu	.....	D21/533
2004/0092206	A1	*	5/2004	Lynders	.....	A63H 30/04 446/427
2011/0021112	A1	*	1/2011	Suzuki	.....	A63H 17/262 446/465
2014/0221111	A1	*	8/2014	Picolet	.....	A63H 18/00 472/89

**OTHER PUBLICATIONS**

Amicool Remote Control Car, Amazon "Release date" Sep. 1, 2020, [online], [site visited Mar. 11, 2022]. Available from Internet: <URL:https://www.amazon.com/dp/B08DHG99KQ/> (Year: 2020).\*

\* cited by examiner

*Primary Examiner* — Cynthia M. Chin

(74) *Attorney, Agent, or Firm* — ScienBiziP, P.C.

(57) **CLAIM**

The ornamental design for a remote-controlled toy, as shown and described.

**DESCRIPTION**

FIG. 1 is a front perspective view of a remote-controlled toy, showing my design.

FIG. 2 is a front elevation view thereof.

FIG. 3 is a rear elevation view thereof.

FIG. 4 is a left side elevation view thereof.

FIG. 5 is a right side elevation view thereof.

FIG. 6 is a top plan view thereof.

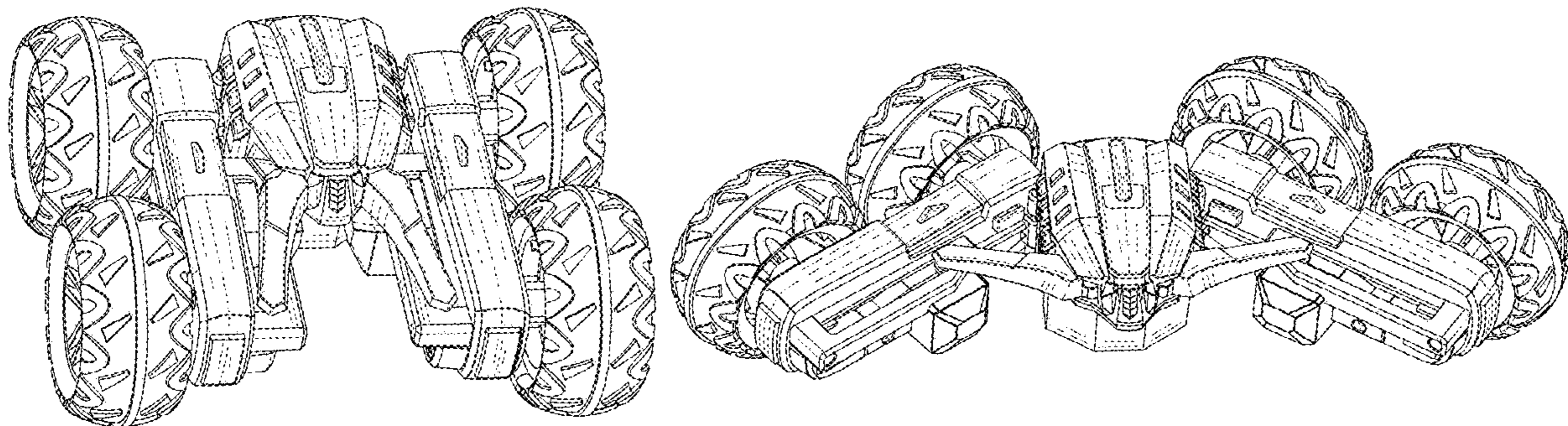
FIG. 7 is a bottom plan view thereof.

FIG. 8 is a perspective view of the remote-controlled toy opened; and,

FIG. 9 is a partial enlarged view of a wheel taken from front of the remote-controlled toy in FIG. 1.

The broken lines represent the boundaries of the enlarged partial views of FIG. 9. All other broken lines represent portions of the remote-controlled toy that form no part of the claimed design. None of the broken lines form a part of the claim.

**1 Claim, 9 Drawing Sheets**



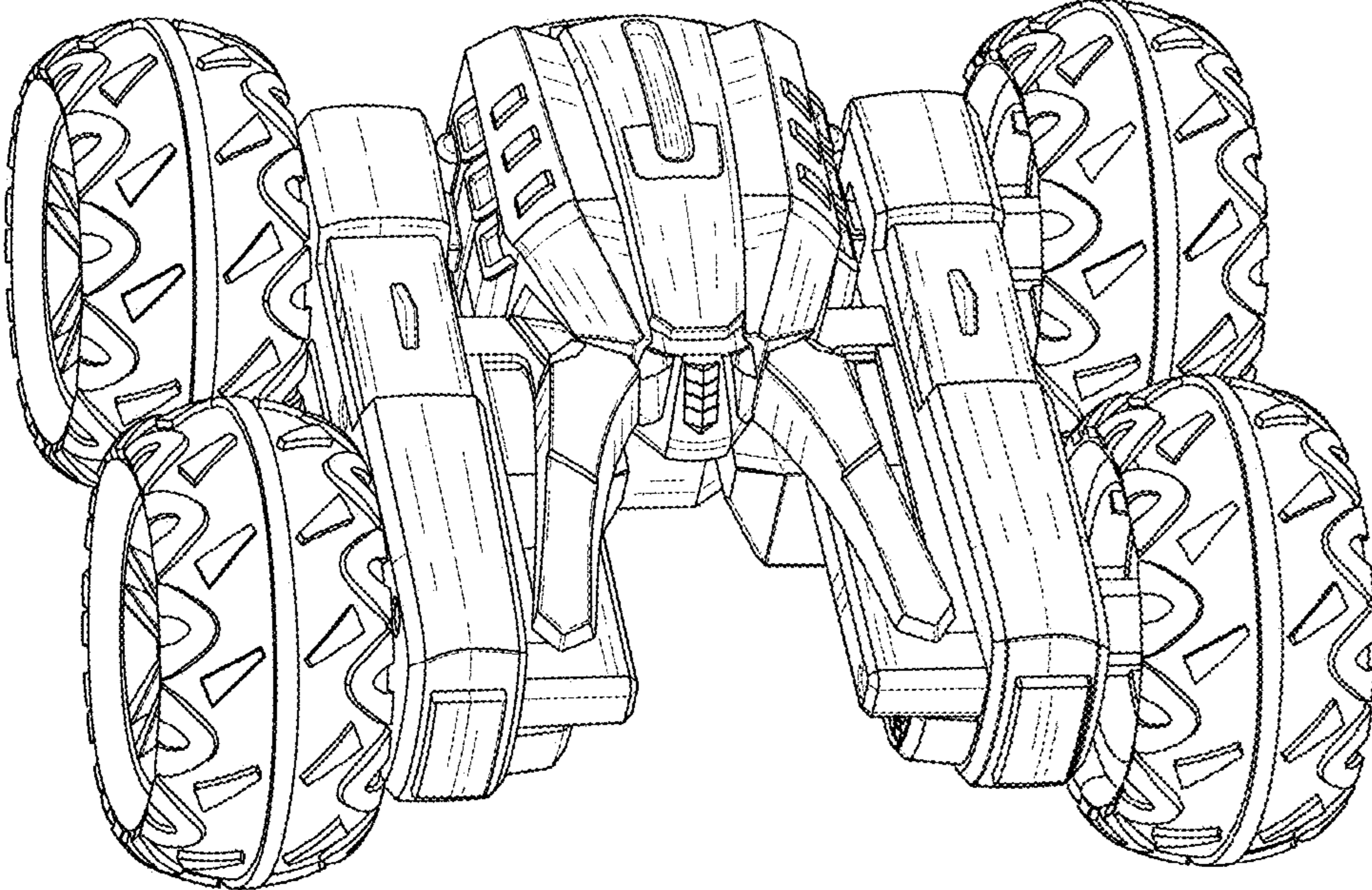


FIG.1

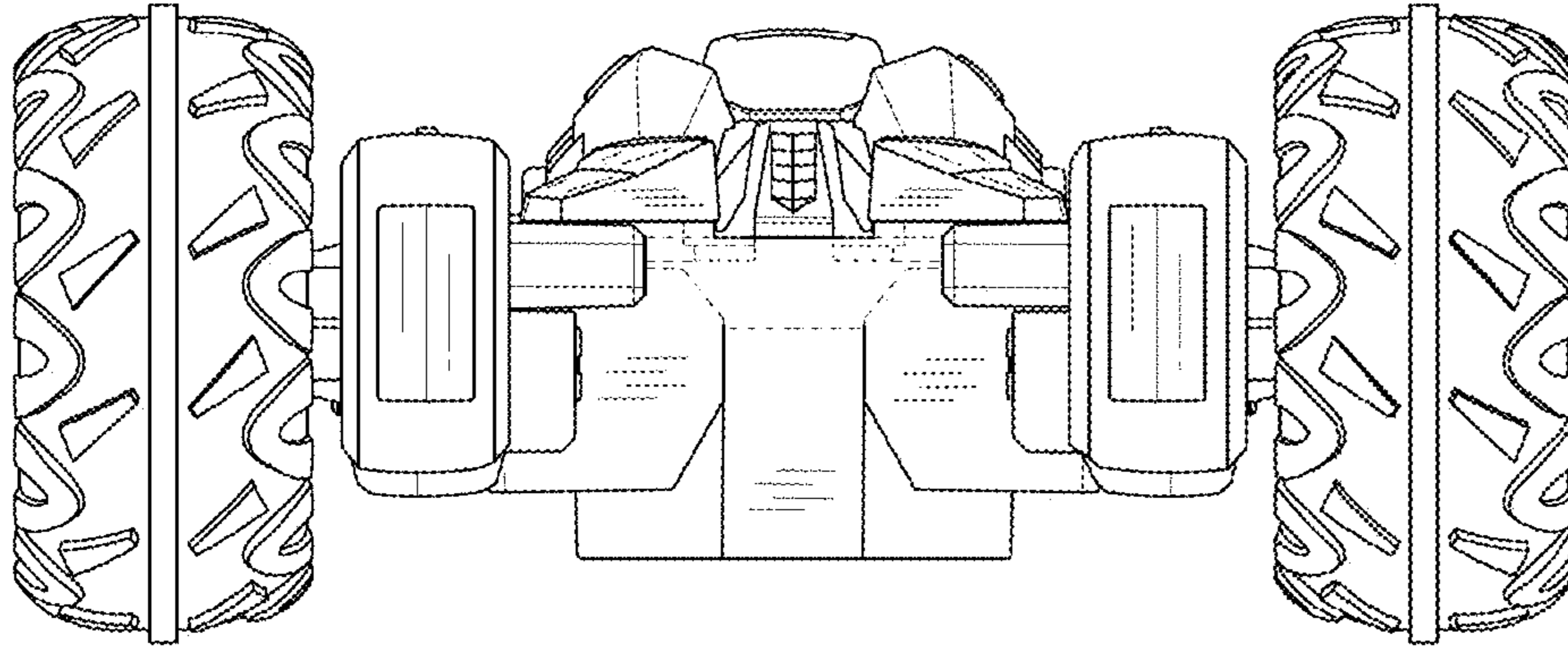


FIG.2

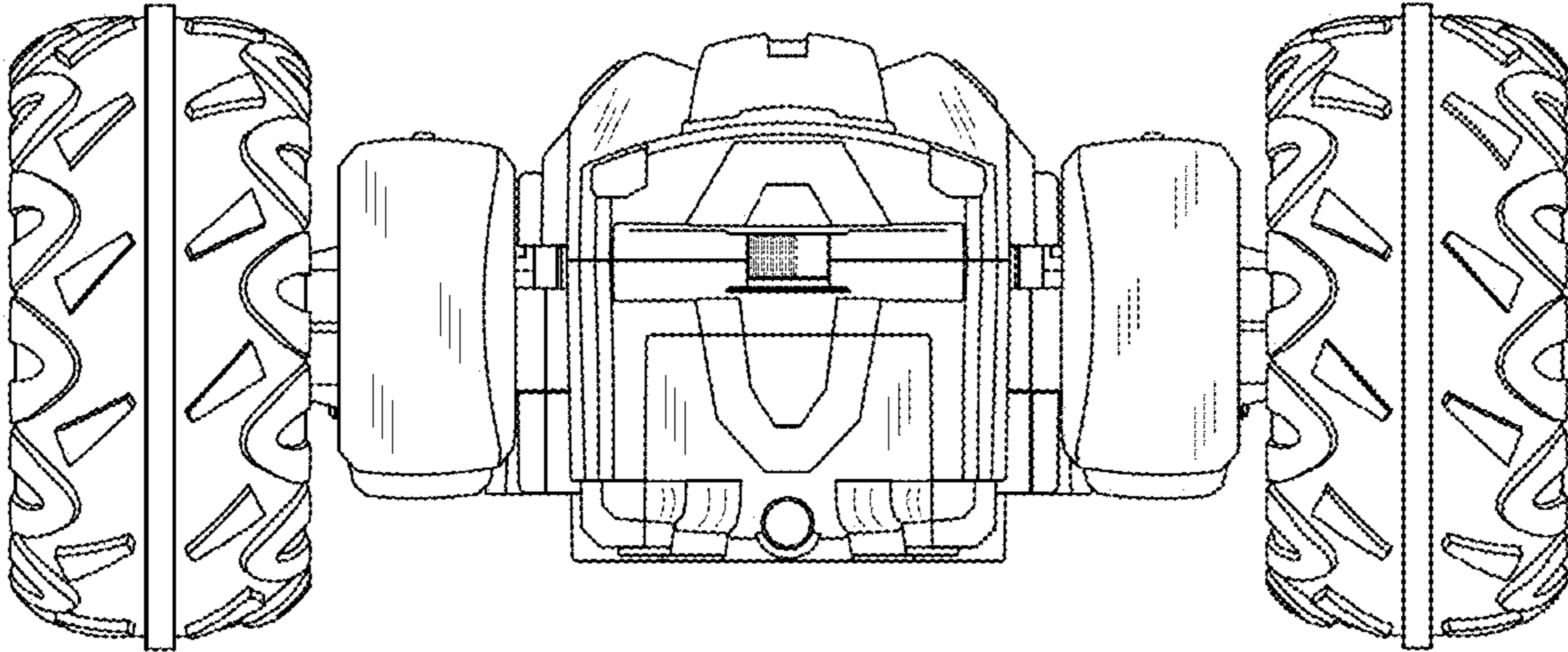


FIG.3

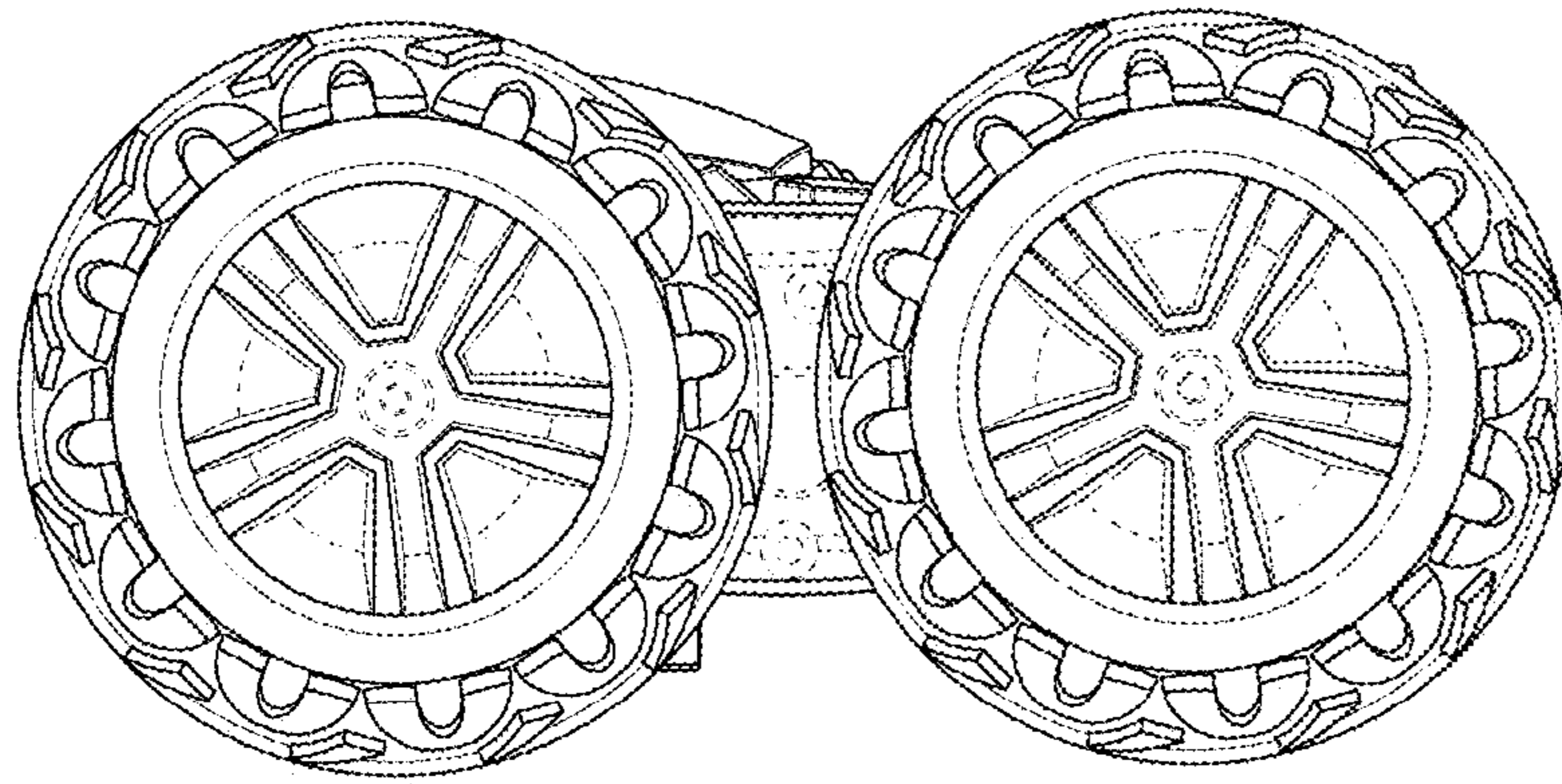


FIG.4

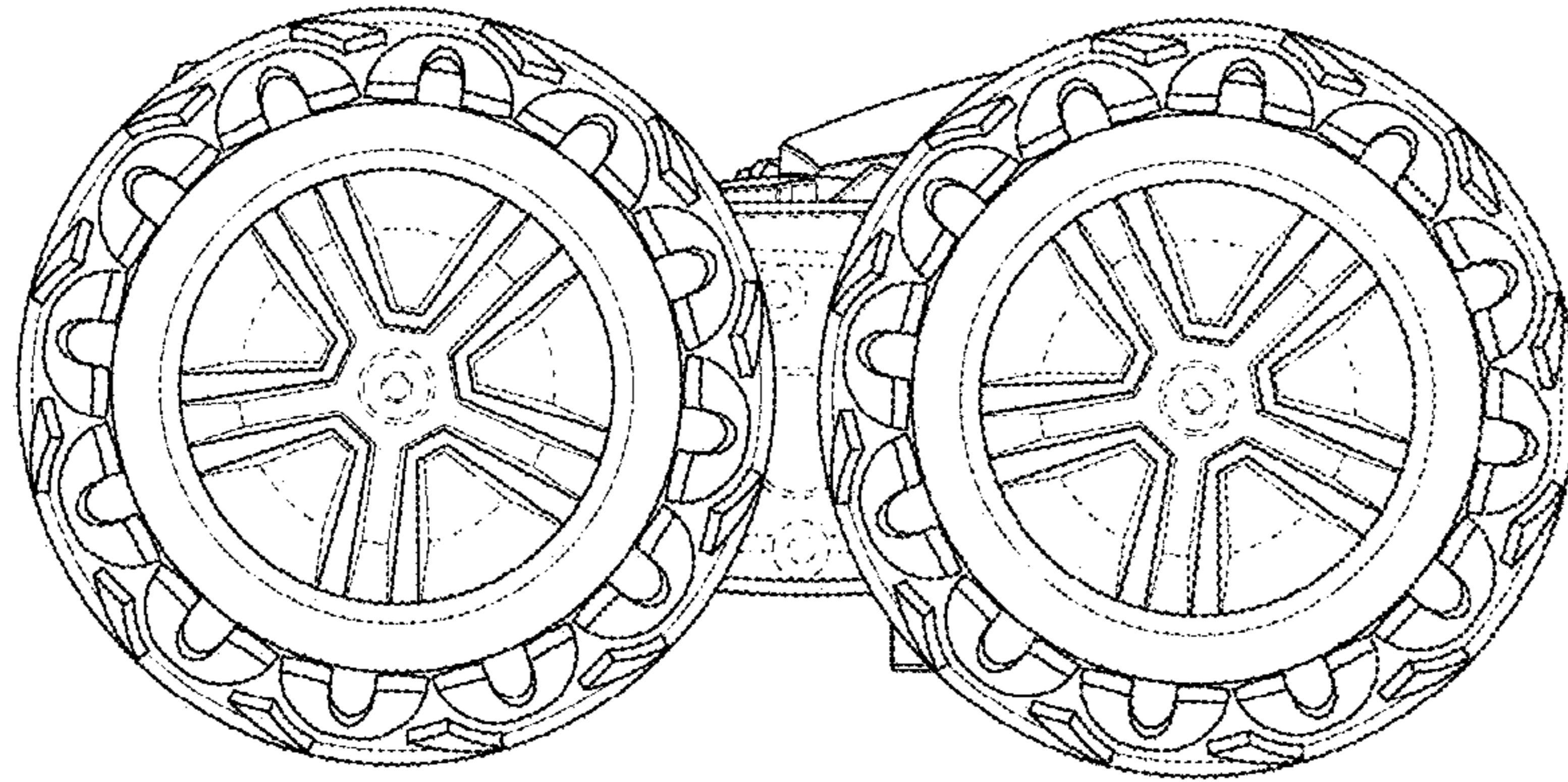


FIG.5

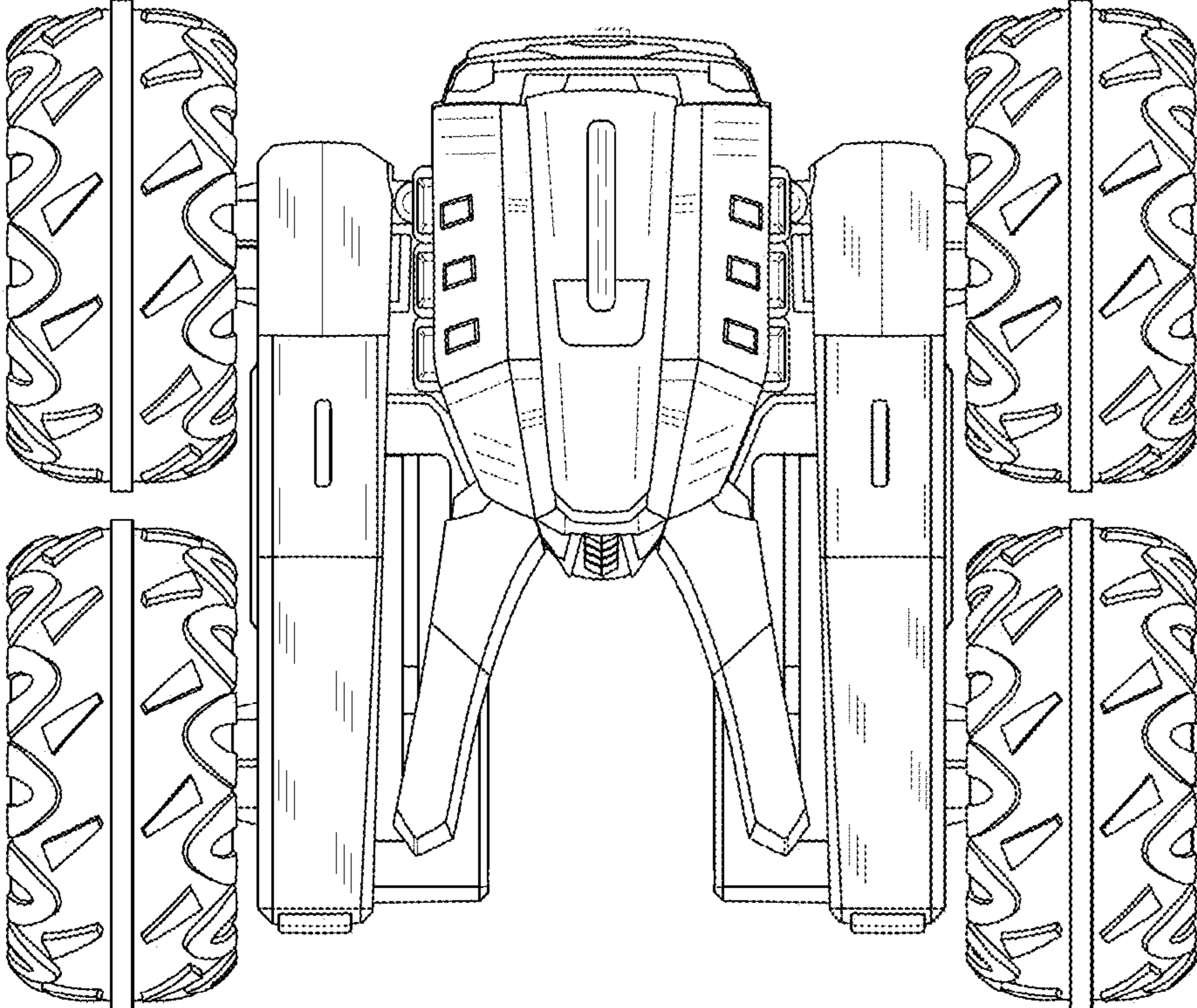


FIG.6

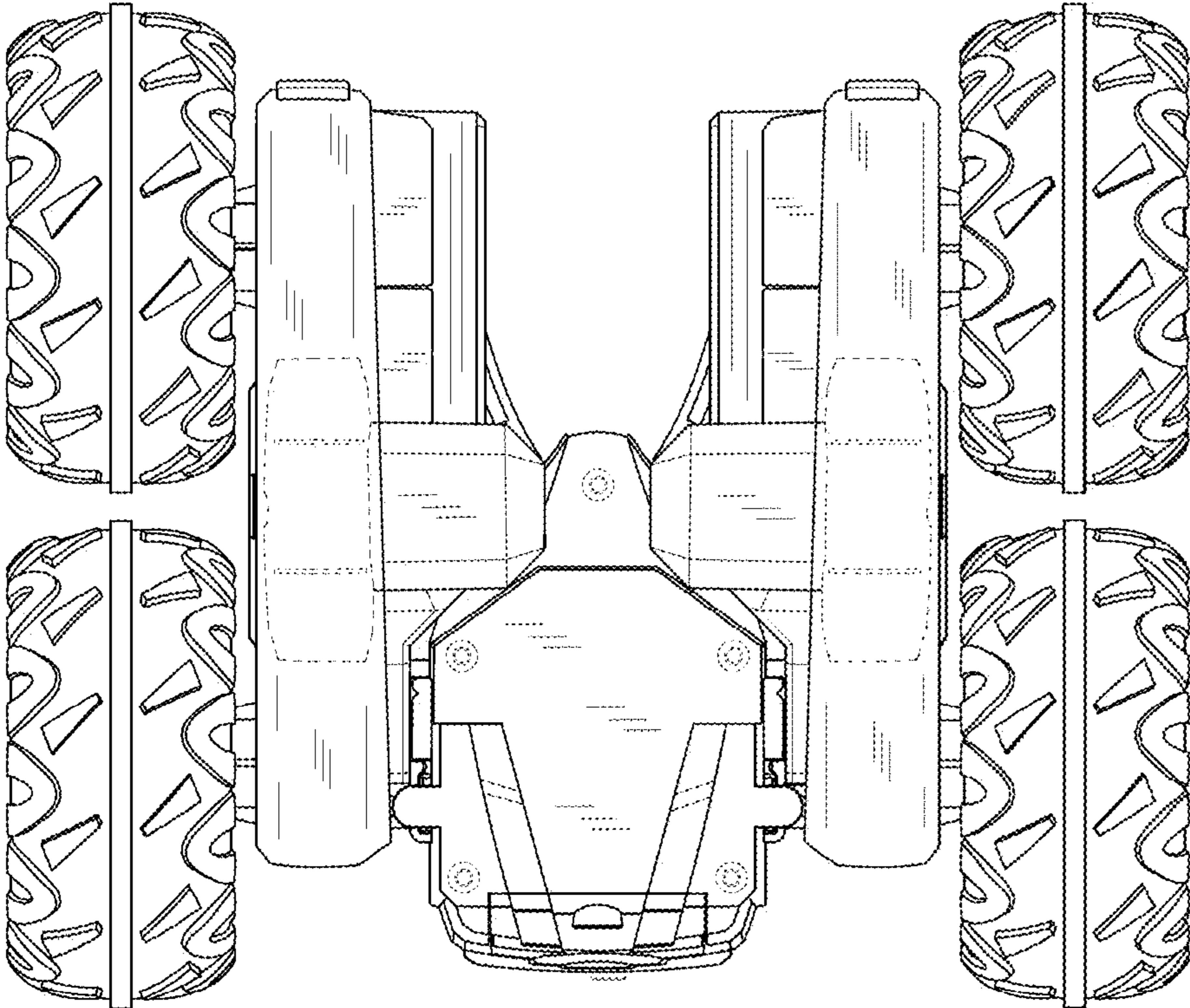


FIG.7



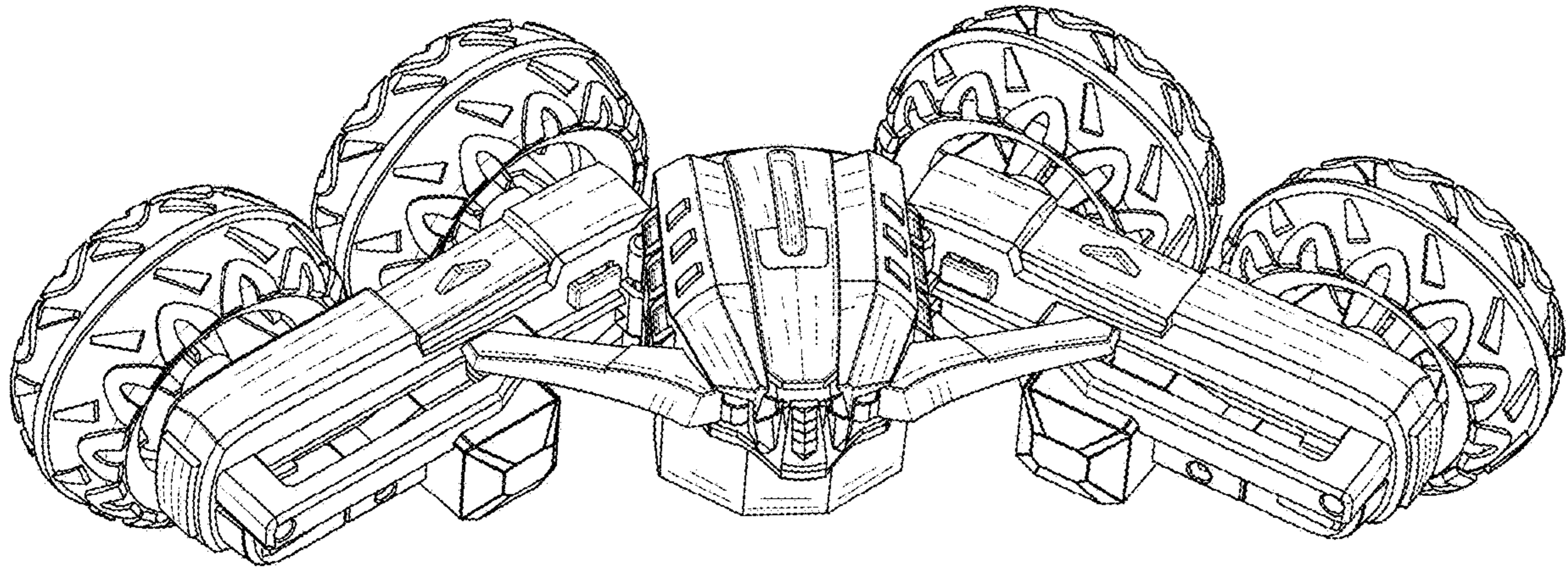


FIG.8



FIG .9