



US00D982096S

(12) **United States Design Patent** (10) **Patent No.:** **US D982,096 S**
Andersen et al. (45) **Date of Patent:** **** Mar. 28, 2023**

(54) **BUILDING BLOCK**

D519,159 S * 4/2006 Worthington D20/1
D711,980 S * 8/2014 Norman D21/503
8,893,450 B2 * 11/2014 Zohar E04C 1/00
52/561

(71) Applicants: **Matthew Andersen**, Omaha, NE (US);
Warren Wilson, Christies Beach (AU)

(Continued)

(72) Inventors: **Matthew Andersen**, Omaha, NE (US);
Warren Wilson, Christies Beach (AU)

FOREIGN PATENT DOCUMENTS

(**) Term: **15 Years**

CN 305441213 * 11/2019
HK 2117381-0010 * 2/2021
KR 3009428490010 * 5/2018

(21) Appl. No.: **29/746,776**

OTHER PUBLICATIONS

(22) Filed: **Aug. 17, 2020**

Lego Classic Bricks and Building Blocks, available on hamleys.in, [site visited Apr. 7, 2022], URL: <https://www.hamleys.in/product/lego-classic-bricks-and-ideas-building-blocks-123-pcs-11001-491490614> (Year: 2022).*

(51) **LOC (14) Cl.** **21-01**

(52) **U.S. Cl.**
USPC **D21/492**

Buggi Soft Building Blocks, available on Amazon.com, oldest customer review Mar. 18, 2022, [site visited Apr. 7, 2022], URL: <https://www.amazon.com/dp/B077W193PH/> (Year: 2022).*

(58) **Field of Classification Search**
USPC D21/381, 484, 485, 486, 489, 491, 492,
D21/494, 498, 499, 500, 501, 502, 503,
D21/504, 505, 344, 398, 455, 467, 468,
D21/470, 473, 475, 478, 479, 480, 645;
D11/133, 157; D30/160

(Continued)

CPC . A63F 9/06; A63F 9/08; A63F 9/0601; A63H
33/04; G09B 1/00; G09B 1/02; G09B
1/06

Primary Examiner — Dana K Weiland
Assistant Examiner — Emily Anna Saunders
(74) *Attorney, Agent, or Firm* — Suiter Swantz pc llo

See application file for complete search history.

(57) **CLAIM**

The ornamental design for a building block, as shown and described.

(56) **References Cited**

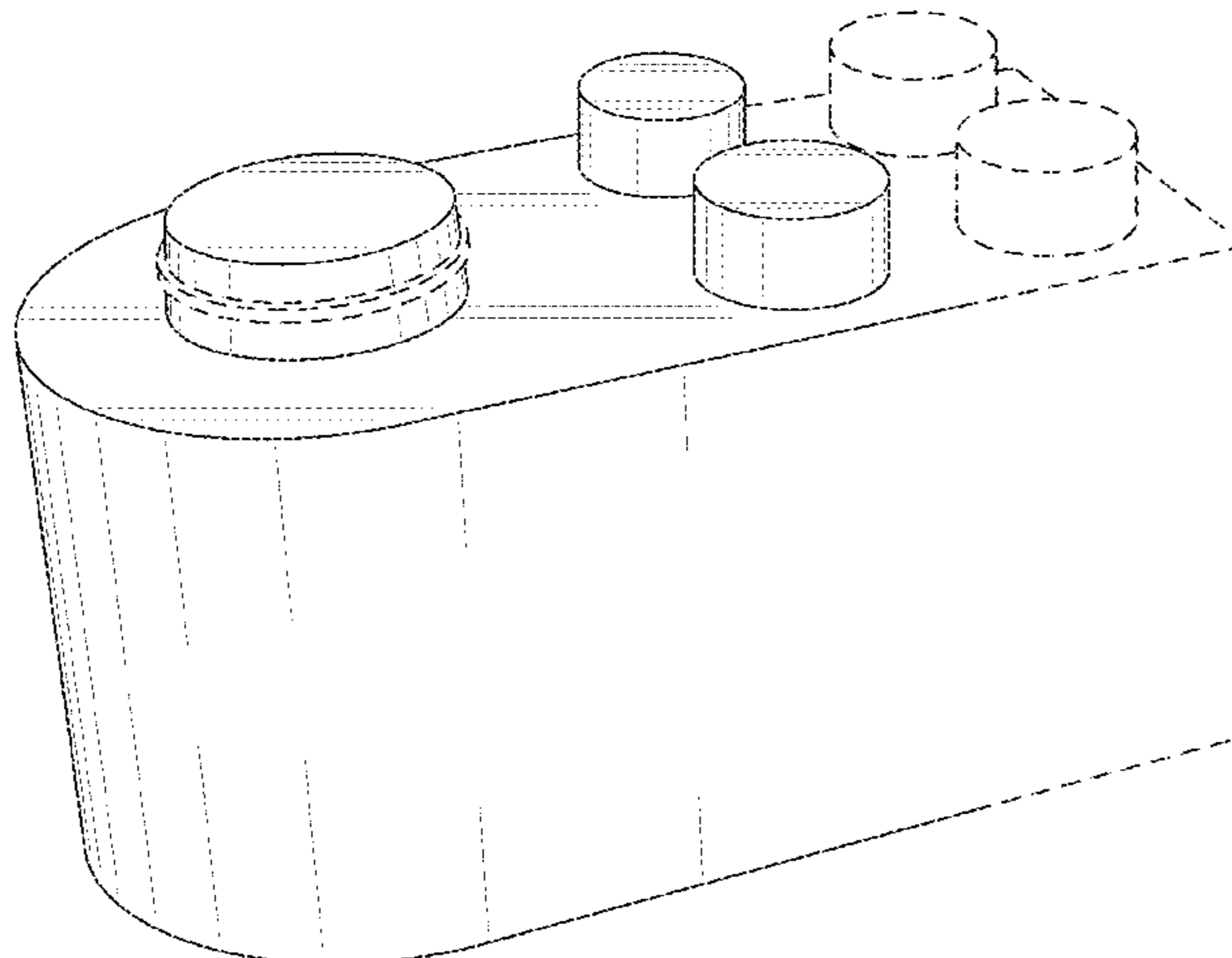
DESCRIPTION

U.S. PATENT DOCUMENTS

D285,100 S * 8/1986 Volpe D21/505
D285,813 S * 9/1986 Takahashi D21/501
D311,641 S * 10/1990 Martin D3/904
5,209,693 A * 5/1993 Lyman A63H 33/062
446/104
D340,749 S * 10/1993 Lyman D21/503
D350,824 S * 9/1994 Perrin, Jr. D25/113
D354,319 S * 1/1995 Wilson D21/503
D362,473 S * 9/1995 Lyman D21/489
D378,837 S * 4/1997 Olsen D21/500
D420,711 S * 2/2000 Glickman D21/504
D426,588 S * 6/2000 Glickman D21/504
D487,932 S * 3/2004 Crooks D25/113

FIG. 1 is a top perspective view of a building block;
FIG. 2 is a bottom perspective view of a building block;
FIG. 3 is a top view of a building block;
FIG. 4 is a bottom view of a building block;
FIG. 5 is a side view of a building block;
FIG. 6 is a side view of a building block;
FIG. 7 is a rear view of a building block; and,
FIG. 8 is a front view of a building block.
The broken line portions of the drawings are included to show portions of the building block that form no part of the claimed design.

1 Claim, 8 Drawing Sheets



(56)

References Cited

U.S. PATENT DOCUMENTS

8,905,812 B2 * 12/2014 Pai-Chen A63H 33/107
 446/124
 D809,611 S * 2/2018 Deblois D21/503
 D833,540 S * 11/2018 Zhang D21/486
 D890,858 S * 7/2020 Grove D21/499
 2004/0154256 A1 * 8/2004 Kim E04B 2/08
 52/592.6
 2006/0160462 A1 * 7/2006 Schneck B07C 5/3427
 446/219
 2010/0311299 A1 * 12/2010 Rath A63H 33/14
 446/87
 2019/0022543 A1 * 1/2019 Takeda A63H 33/086
 2020/0147509 A1 * 5/2020 Deng A63H 33/086
 2021/0339158 A1 * 11/2021 Chen A63H 33/086

OTHER PUBLICATIONS

Brick Slope 3x2, available on rebrickable.com, in sets starting from 1971, [site visited Apr. 7, 2022], URL: <https://rebrickable.com/parts/> (Year: 1971).*

Brick Curved 3x1, available on rebrickable.com, in sets from 2021, [site visited Apr. 7, 2022], URL: <https://rebrickable.com/parts/> (Year: 2021).*

Lego Duplo My First Bricks, available on Amazon.com, release date Jan. 1, 2017, [site visited Apr. 7, 2022], URL: <https://www.amazon.com/LEGO-Colorful-Building-Toddler-Pretend/dp/B06XXXP842> (Year: 2017).*

Lego Large Creative Brick Box, available on lego.com, Wayback Machine date Nov. 3, 2019, oldest customer review Feb. 24, 2015, [site visited May 5, 2022], URL: <https://web.archive.org/web/20191103105655/https://www.lego.com/en-us/product/lego-large-creative-brick-box-10698> (Year: 2015).*

* cited by examiner

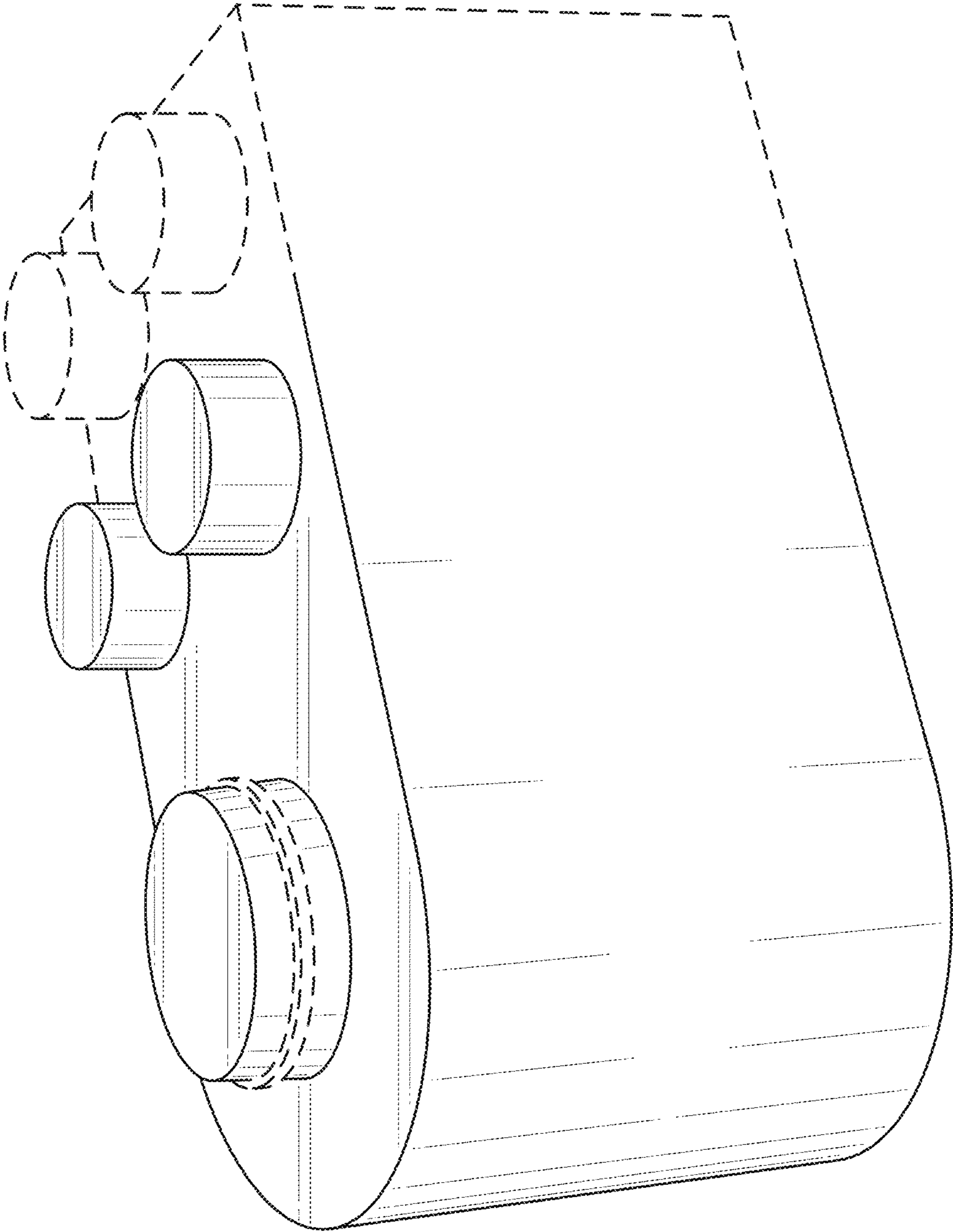


FIG. 1

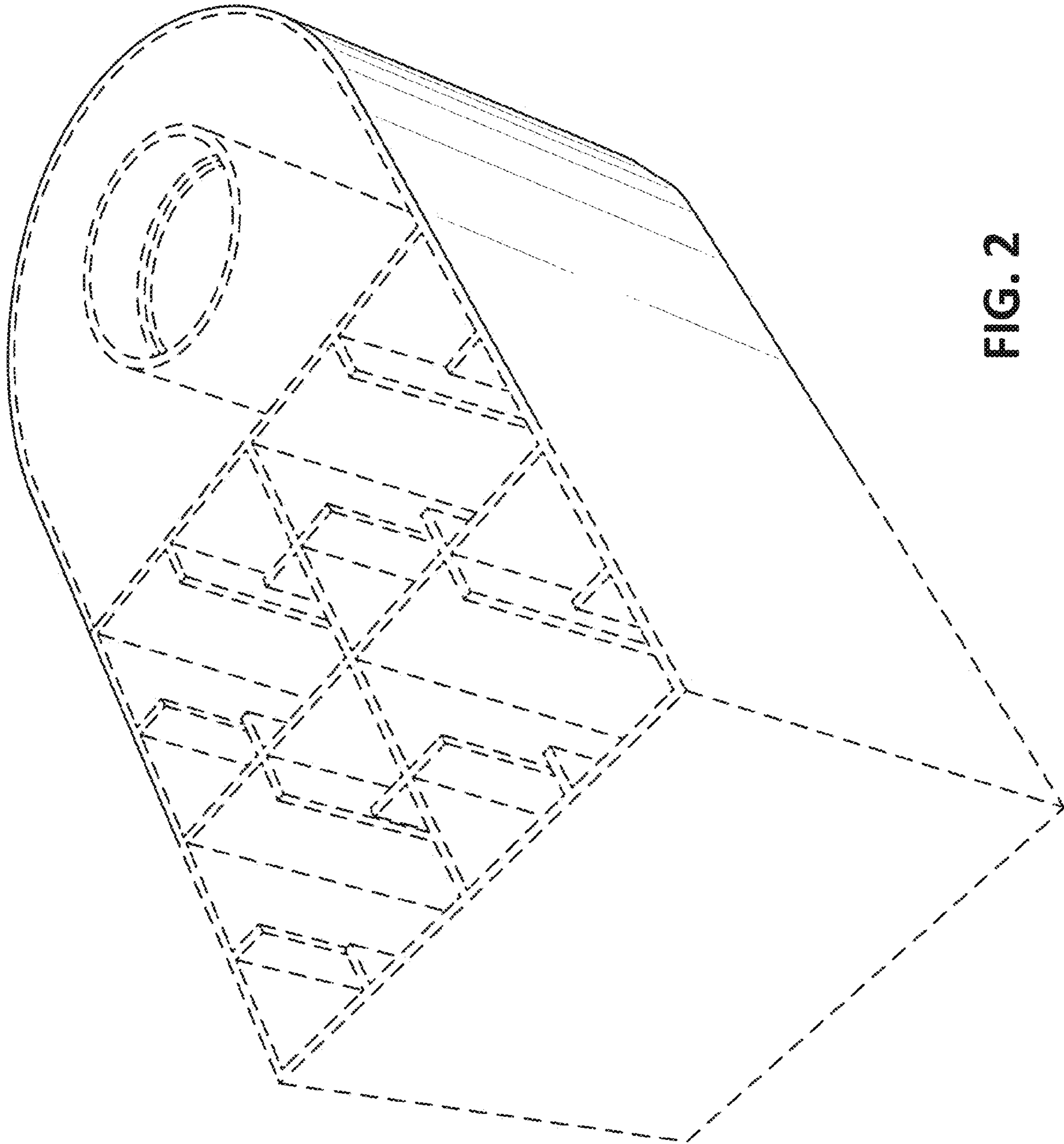


FIG. 2

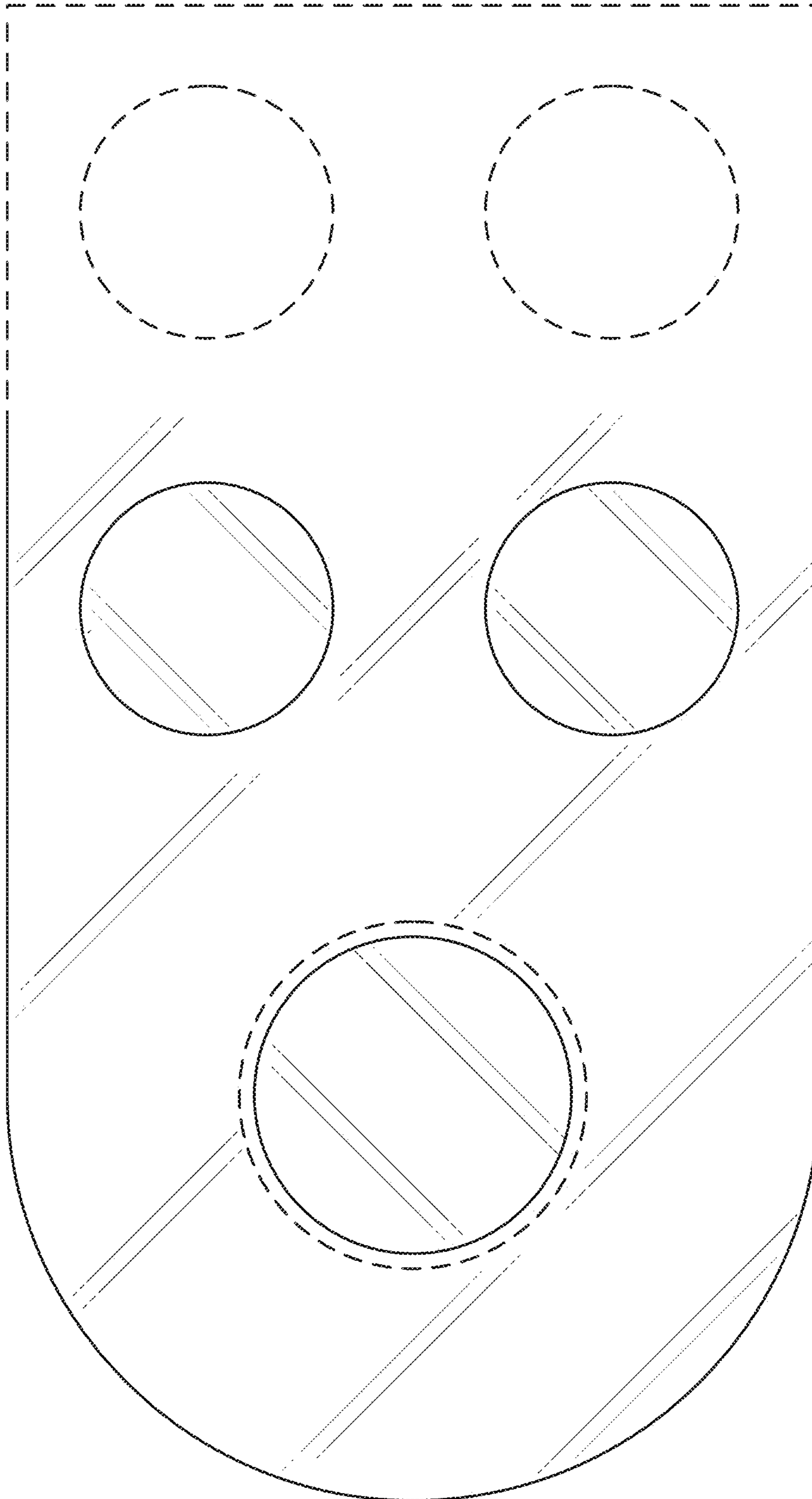


FIG. 3

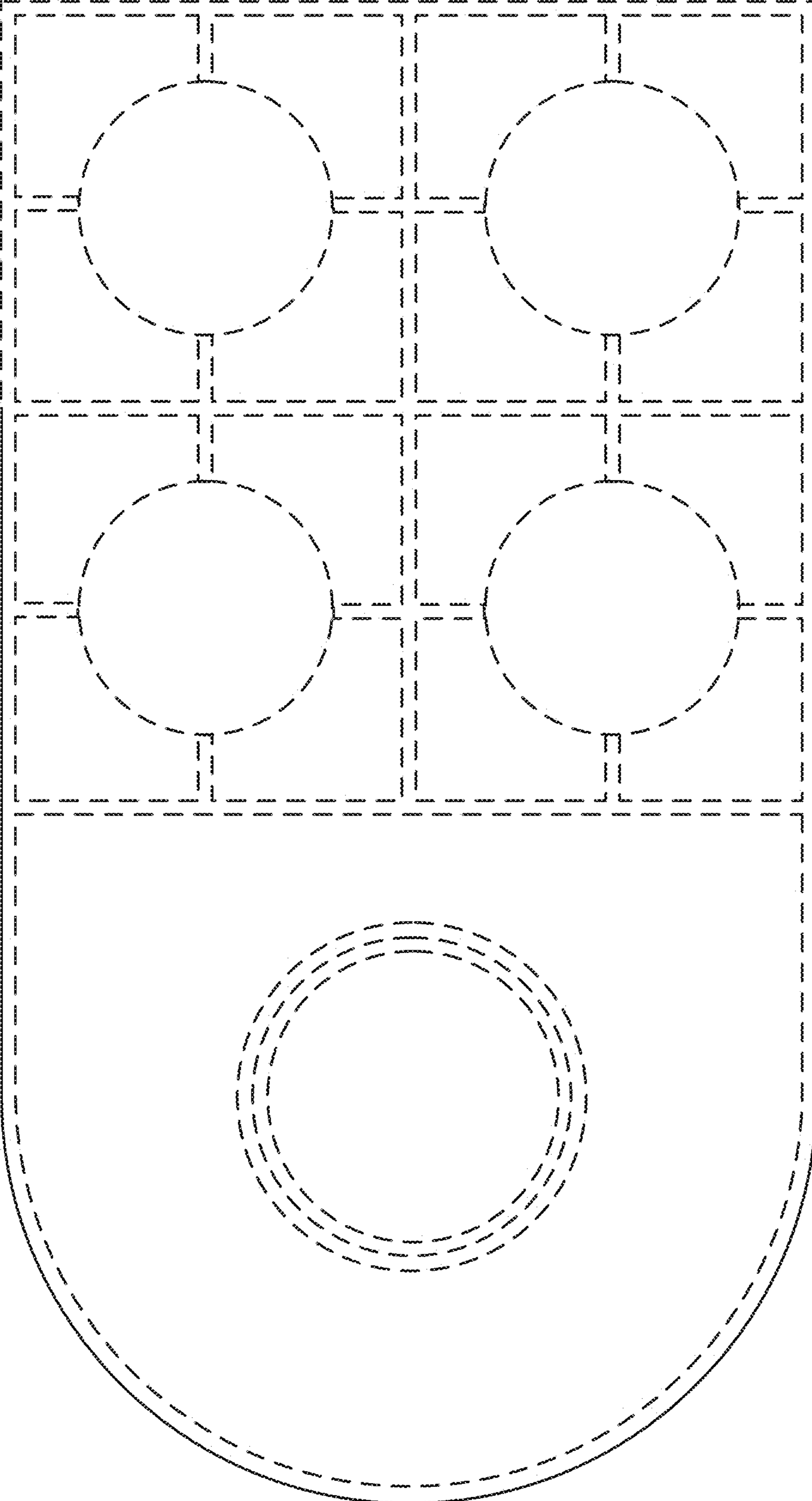


FIG. 4

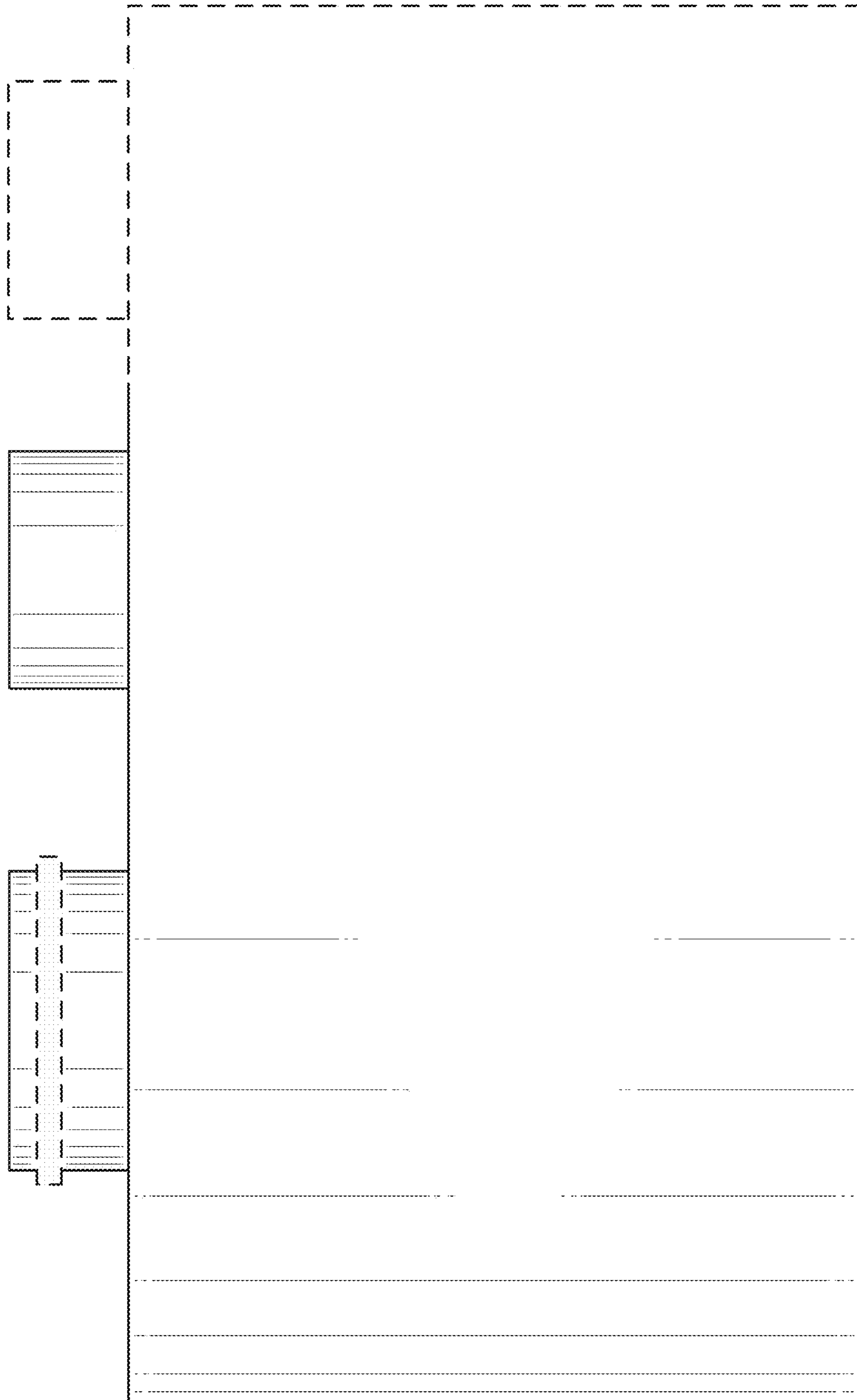


FIG. 5

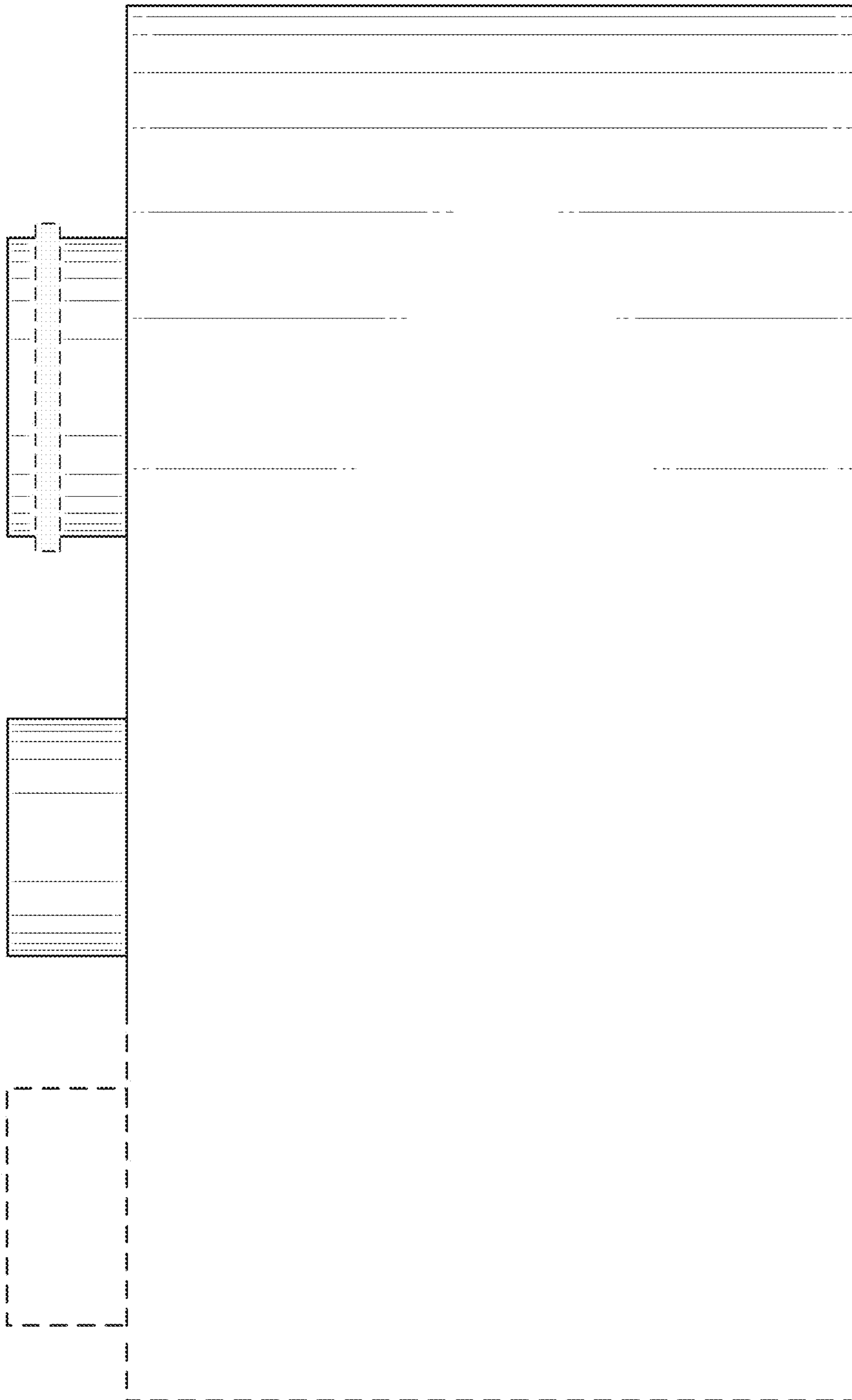


FIG. 6



FIG. 7

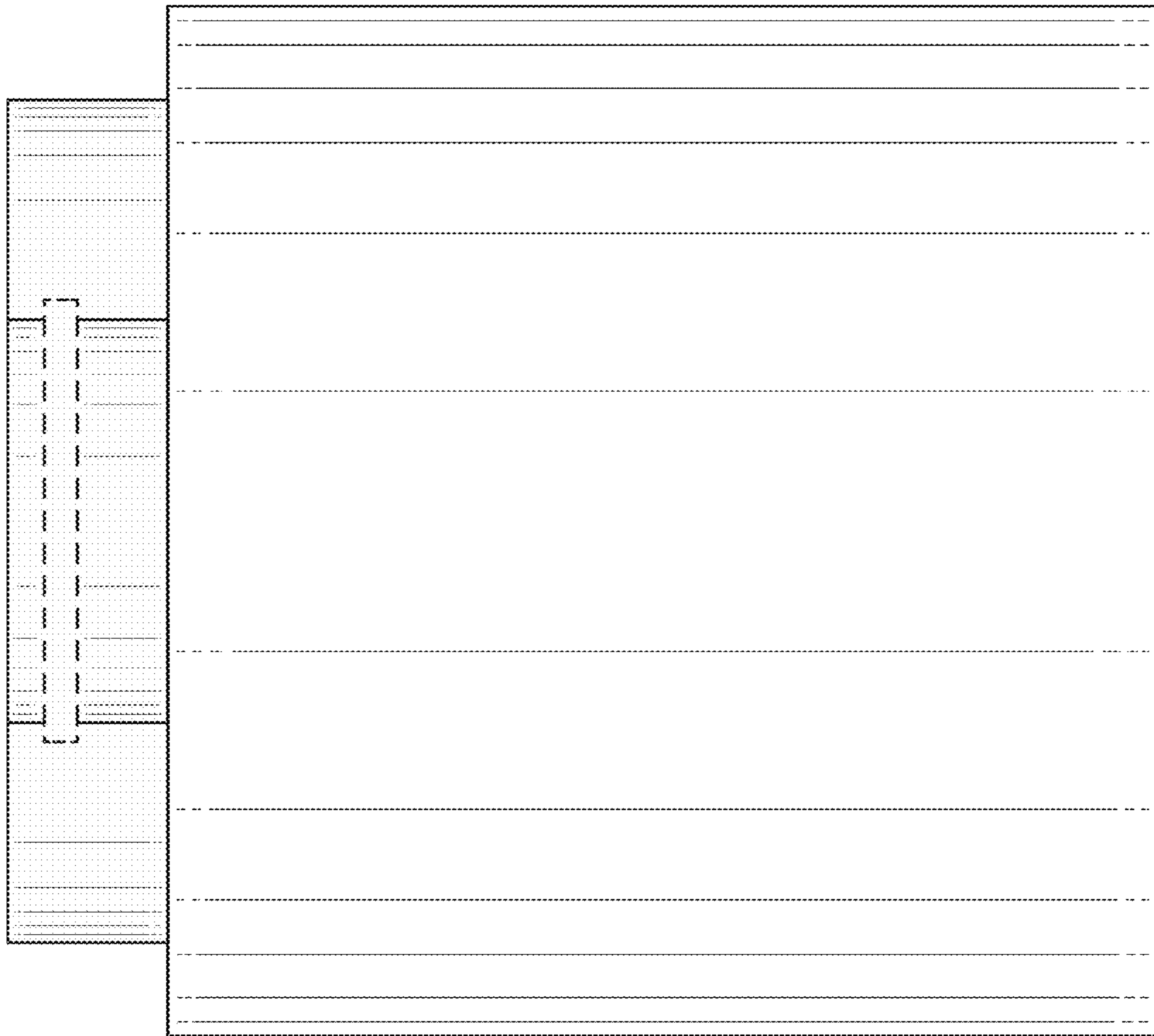


FIG. 8