



US00D982095S

(12) **United States Design Patent** (10) **Patent No.:** **US D982,095 S**  
**Surdarsono** (45) **Date of Patent:** **\*\* Mar. 28, 2023**

(54) **ELEMENT FOR A TOY BUILDING SET** 5,897,417 A \* 4/1999 Grey ..... F16M 11/14  
 403/90  
 (71) Applicant: **Lego A/S, Billund (DK)** D553,203 S \* 10/2007 Glickman ..... D21/487  
 D553,204 S \* 10/2007 Glickman ..... D21/487  
 (72) Inventor: **Daniel Sri Surdarsono, Billund (DK)** D622,329 S \* 8/2010 Davies ..... D21/498  
 D711,972 S \* 8/2014 Norman ..... D21/487  
 D892,945 S \* 8/2020 Patterson ..... D21/487  
 (73) Assignee: **LEGO A/S, Billund (DK)** 2008/0268741 A1\* 10/2008 Pinsker ..... A63H 33/062  
 446/124  
 (\*\*) Term: **15 Years** 2018/0229144 A1\* 8/2018 Rosen ..... A63H 33/06

\* cited by examiner

(21) Appl. No.: **29/762,782**

(22) Filed: **Dec. 18, 2020**

(51) **LOC (14) Cl.** ..... **21-01**

(52) **U.S. Cl.**  
USPC ..... **D21/487**

(58) **Field of Classification Search**  
USPC ..... D21/484-505  
CPC ..... A63H 33/04; A63H 33/06; A63H 33/062;  
A63H 33/08; A63H 33/082; A63H  
33/084; A63H 33/086; A63H 33/088;  
A63H 33/12

See application file for complete search history.

(56) **References Cited**

**U.S. PATENT DOCUMENTS**

3,694,954 A \* 10/1972 Brumlik ..... A63H 33/103  
 446/119  
 4,781,644 A \* 11/1988 Yoshida ..... A63H 33/10  
 211/186  
 D306,190 S \* 2/1990 Poulsen ..... D21/498

*Primary Examiner* — Cynthia M. Chin

(74) *Attorney, Agent, or Firm* — Fross Zelnick Lehrman & Zissu, P.C.; Charles T. J. Weigell, Esq.

(57) **CLAIM**

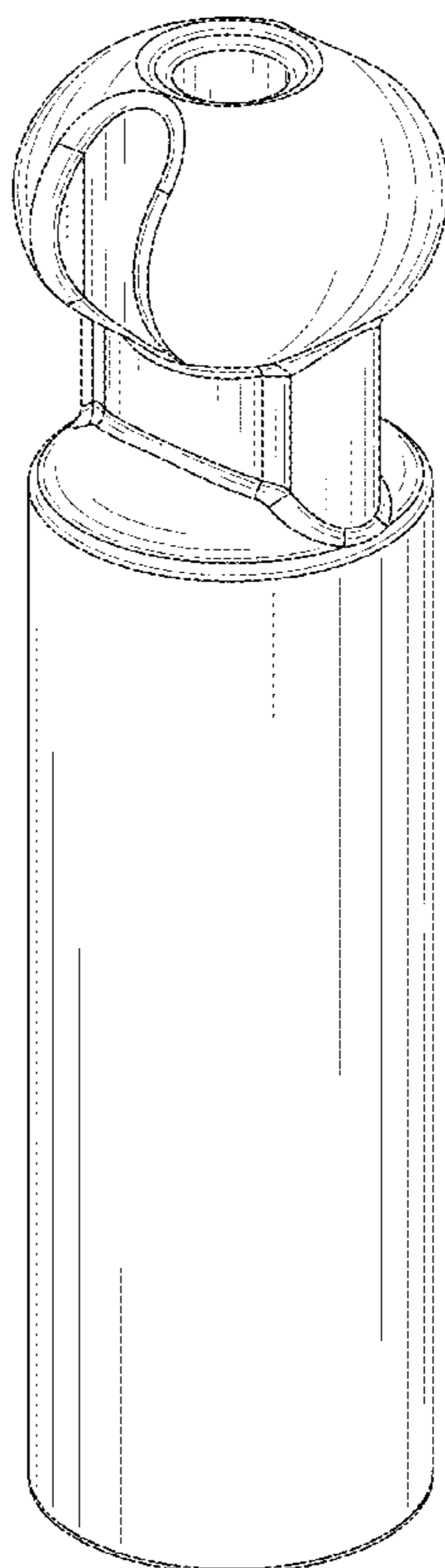
The ornamental design for an element for a toy building set, as shown and described.

**DESCRIPTION**

FIG. 1 is a perspective view of the element for a toy building set showing my new design;  
 FIG. 2 is a front view thereof;  
 FIG. 3 is a back view thereof;  
 FIG. 4 is a left side view thereof;  
 FIG. 5 is a right side view thereof;  
 FIG. 6 is a top view thereof; and,  
 FIG. 7 is a bottom view thereof.

The portions of the element for a toy building set shown in broken lines form no part of the claimed design.

**1 Claim, 7 Drawing Sheets**



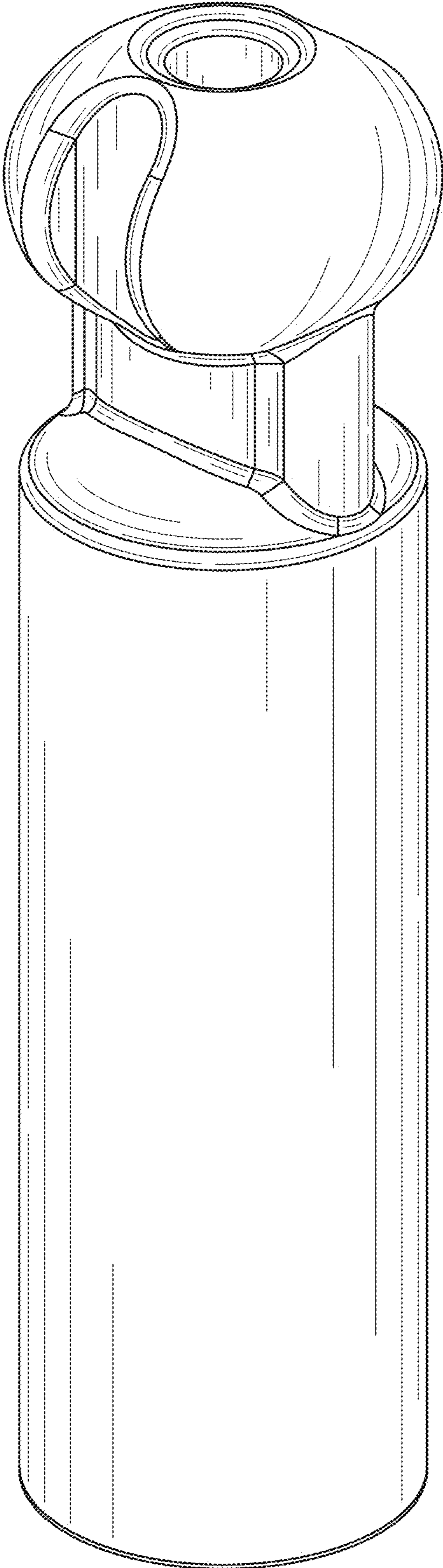


FIG. 1

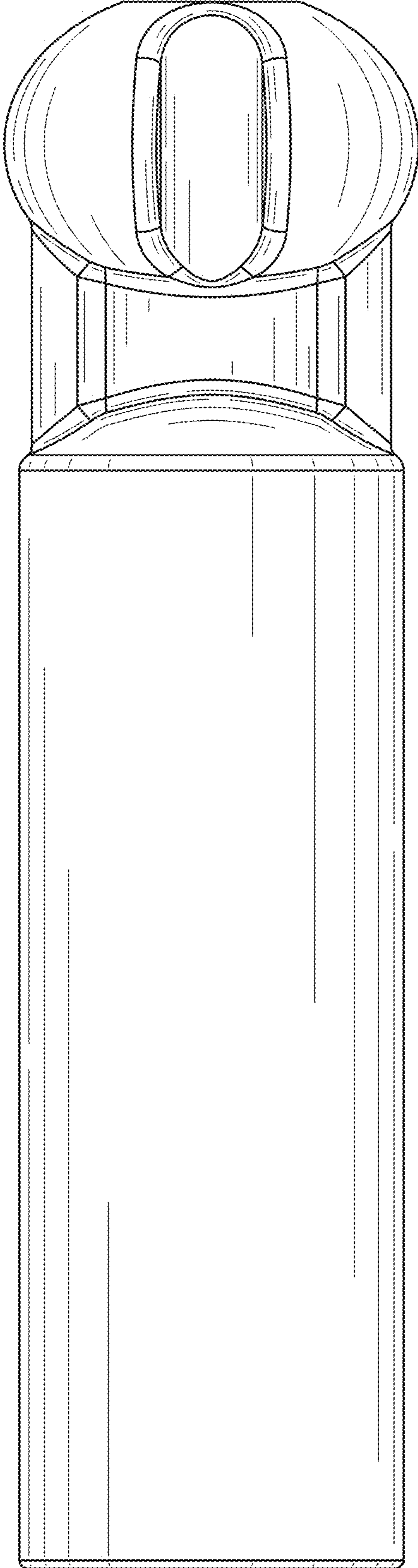


FIG. 2

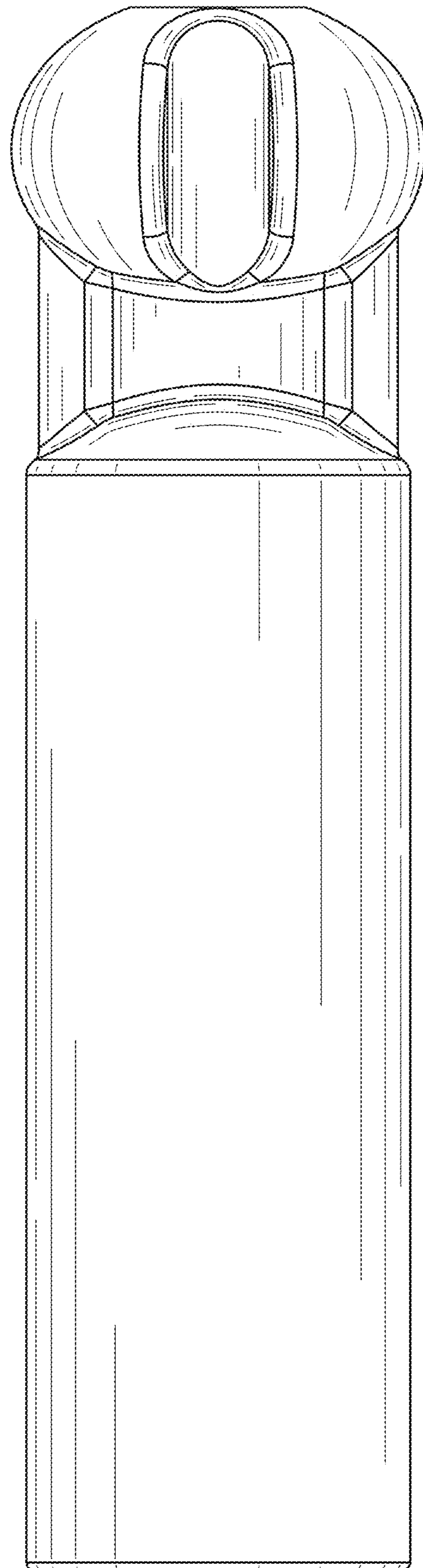


FIG. 3

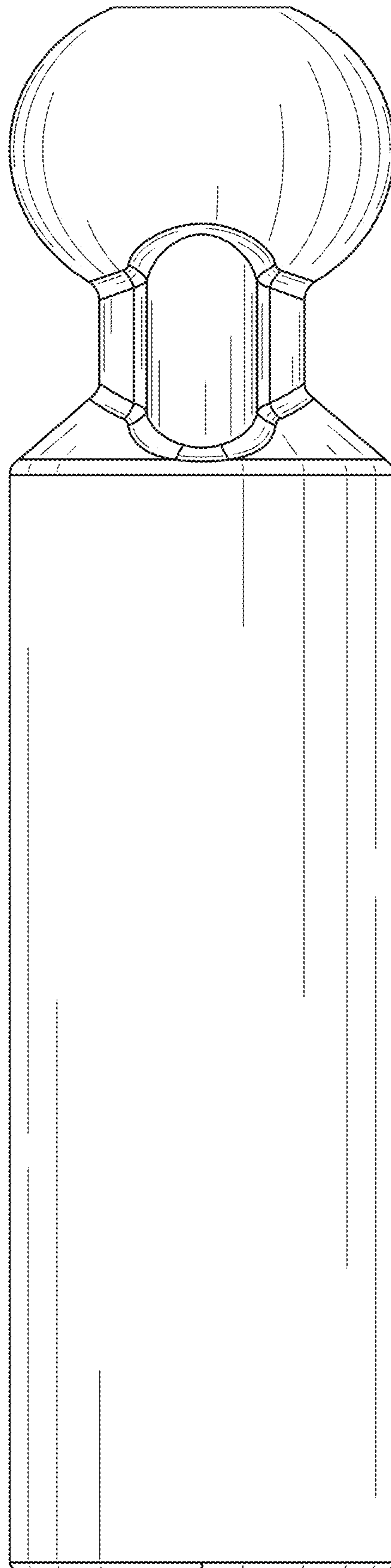


FIG. 4

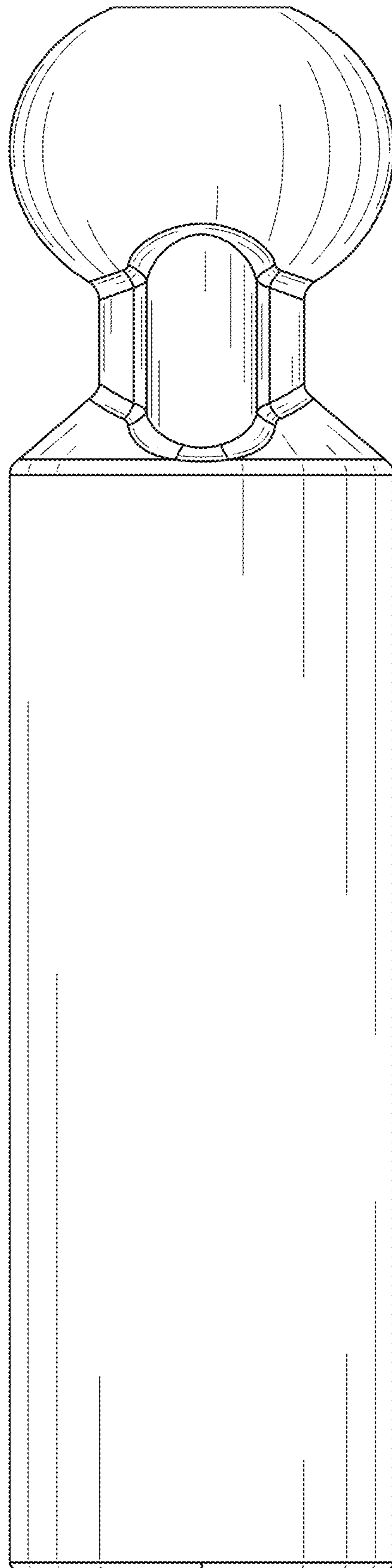


FIG. 5

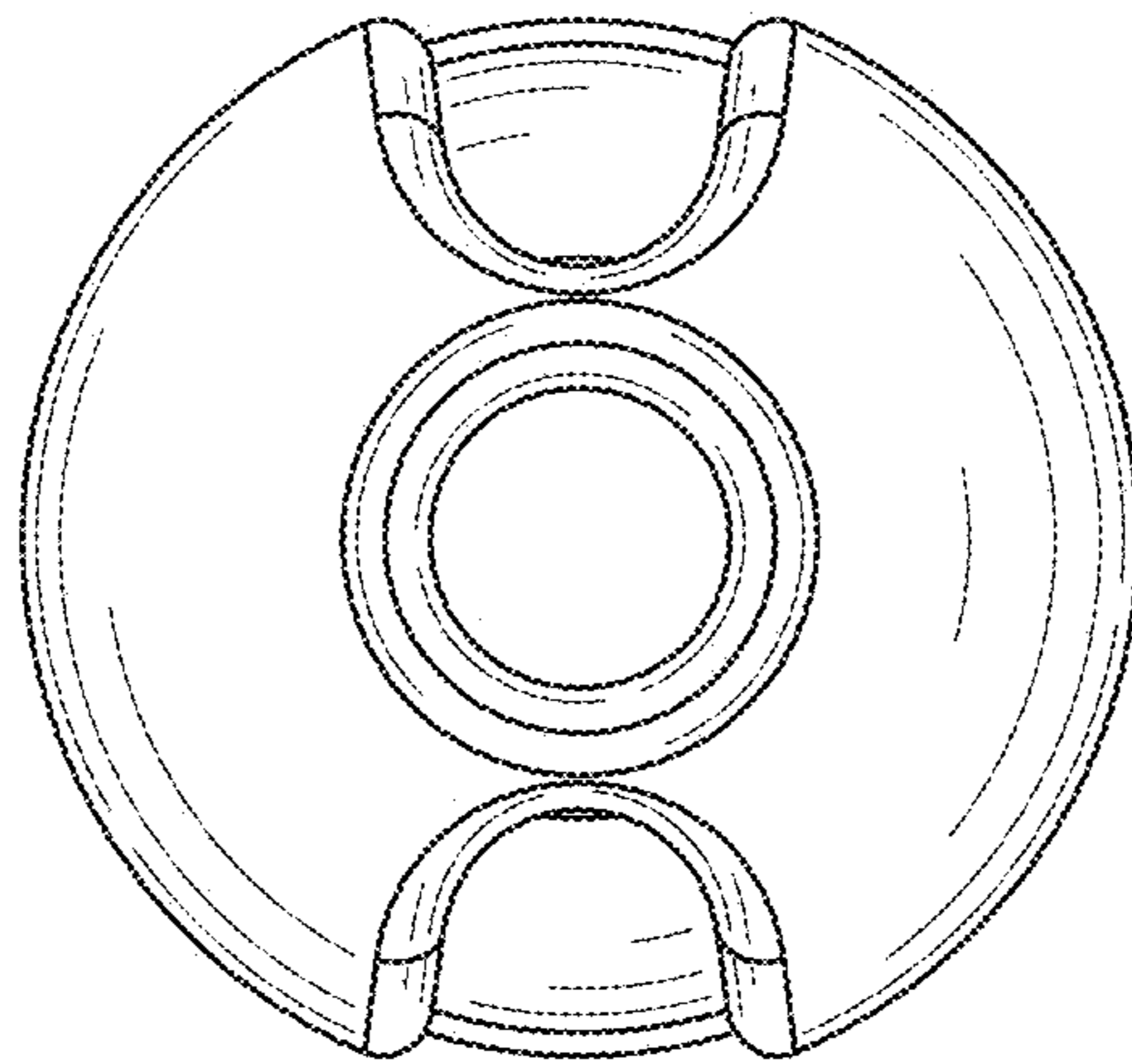


FIG. 6

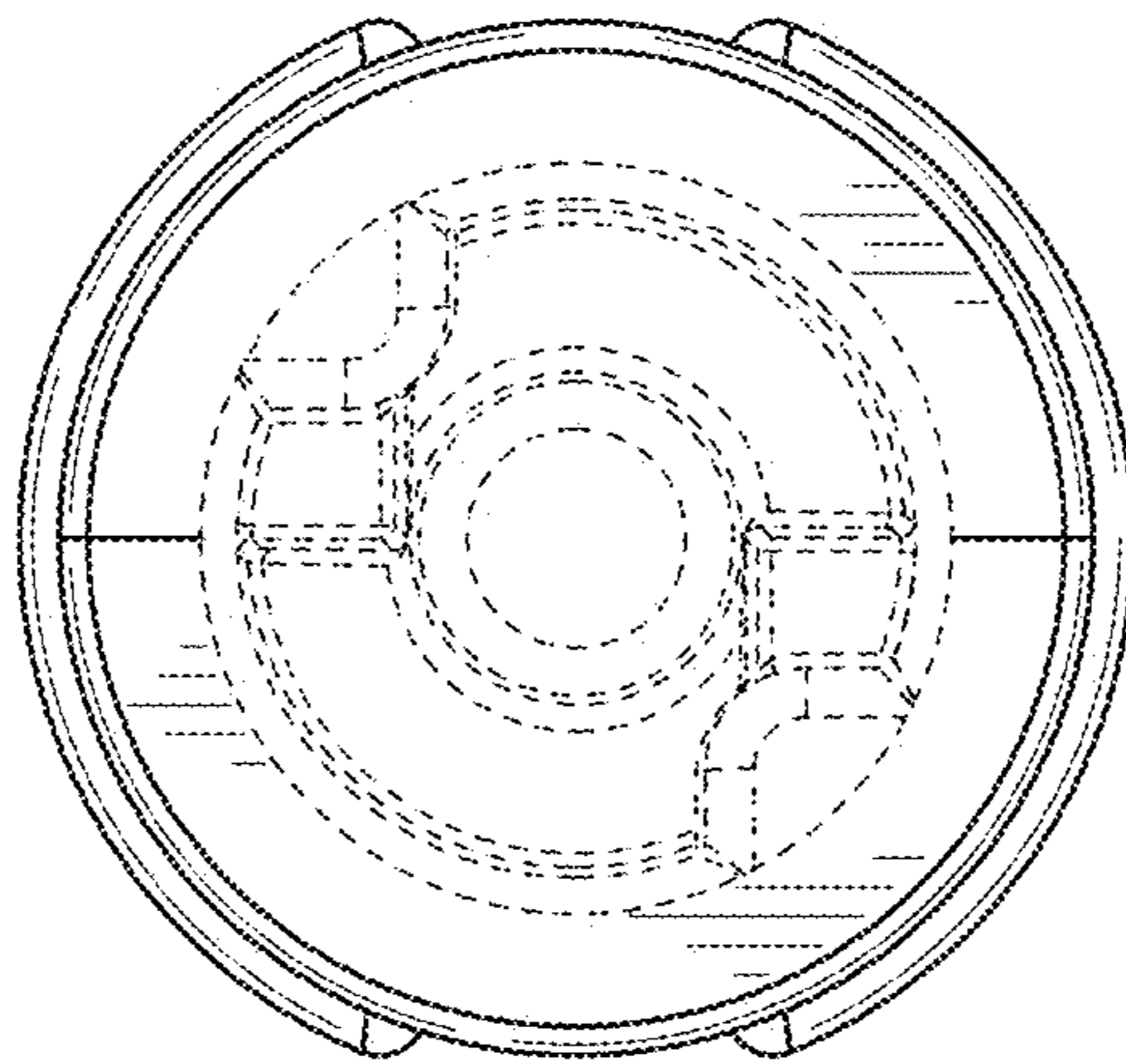


FIG. 7