



US00D982094S

(12) **United States Design Patent**
O'Brien

(10) **Patent No.:** **US D982,094 S**

(45) **Date of Patent:** **** Mar. 28, 2023**

(54) **SPINNER TOY**

(71) Applicant: **Corey O'Brien**, Las Vegas, NV (US)

(72) Inventor: **Corey O'Brien**, Las Vegas, NV (US)

(**) Term: **15 Years**

(21) Appl. No.: **29/753,857**

(22) Filed: **Oct. 2, 2020**

(51) **LOC (14) Cl.** **21-01**

(52) **U.S. Cl.**

USPC **D21/455**

(58) **Field of Classification Search**

USPC D8/1, 349, 388, 389; D21/455, 458, 459,
D21/460, 834, 837, 838, 839, 840

CPC A63H 1/00-10; A63H 1/22-26; A63F 9/16
See application file for complete search history.

(56) **References Cited**

U.S. PATENT DOCUMENTS

- 547,764 A * 10/1895 Boyum A63F 9/16
446/256
- 595,594 A * 12/1897 Bartholomew A63H 1/06
446/248
- 1,158,352 A * 10/1915 Williams A63H 1/02
446/259
- 1,267,558 A * 5/1918 Komorous A63H 1/00
446/256
- 1,475,975 A * 12/1923 Van A63F 9/16
273/147
- 1,501,276 A * 7/1924 Cruver A63F 9/16
159/24.3
- 1,942,894 A * 1/1934 Holbrook A63H 27/14
446/40
- 2,098,168 A * 11/1937 Sperry A63F 7/382
473/514
- D155,015 S * 8/1949 Krapp 102/359
- D189,659 S * 1/1961 Spencer D21/837

- 3,141,262 A * 7/1964 Burton A63H 1/00
446/240
- D200,325 S * 2/1965 Fuchs D21/460
- 3,596,909 A * 8/1971 Russ A63F 9/02
273/405

(Continued)

FOREIGN PATENT DOCUMENTS

- CN 3019109 * 6/1993
- CN 304665883 * 6/2018

OTHER PUBLICATIONS

Spinning Light Up Wand for Kids, available on Amazon.com, oldest customer review Apr. 14, 2022, [site visited Oct. 27, 2022], URL: <https://www.amazon.com/Playee-Spinning-Light-Rotating-Girls/dp/B095T4G5J8/> (Year: 2022).*

(Continued)

Primary Examiner — Dana K Weiland
Assistant Examiner — Emily Anna Saunders
(74) *Attorney, Agent, or Firm* — The Patent Professor
John Rizvi, P.A.

(57) **CLAIM**

I claim the ornamental design for a spinner toy, as shown and described.

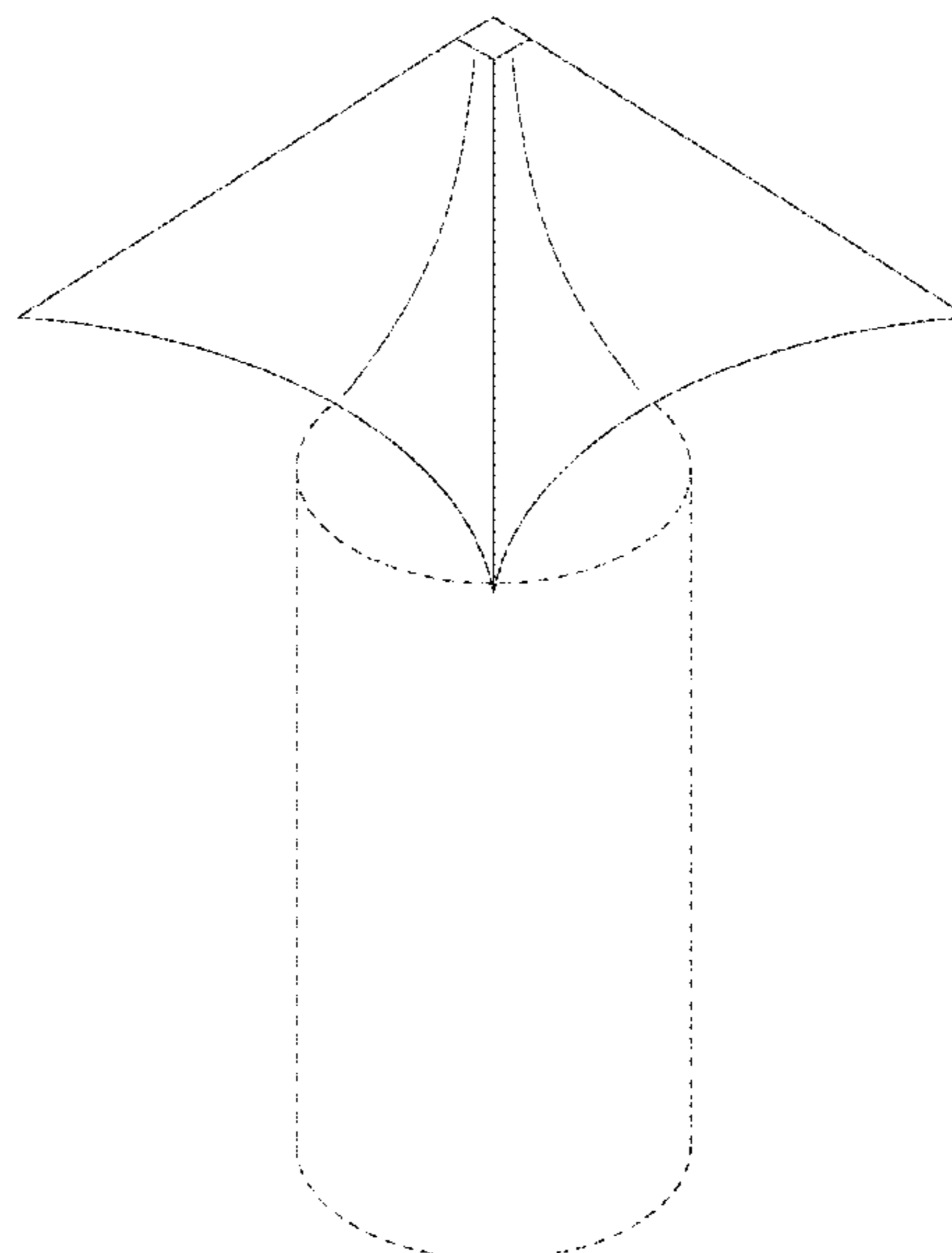
DESCRIPTION

FIG. 1 is a top isometric view of a spinner toy showing my new design;
FIG. 2 is a bottom isometric view thereof;
FIG. 3 is a top plan view hereof;
FIG. 4 is a bottom plan view thereof; and,
FIG. 5 is a front elevation view thereof.

Design left side, right side and rear elevation views have been omitted, as they are the same as the front elevation view of FIG. 5.

The portion of the spinner toy depicted in the figures in broken lines forms no part of the claimed design.

1 Claim, 4 Drawing Sheets



(56)

References Cited

U.S. PATENT DOCUMENTS

4,308,685 A * 1/1982 Hertel A63B 67/086
446/258
4,600,398 A * 7/1986 Fraga A63H 1/02
446/46
D326,133 S * 5/1992 Lynch D21/837
D349,512 S * 8/1994 Law D19/136
6,969,296 B1 * 11/2005 Chen A63H 1/24
446/256
D770,897 S * 11/2016 Holmes D9/500
D910,775 S * 2/2021 Cran D21/460
2004/0077271 A1 * 4/2004 Schaer A63H 1/00
446/236
2015/0136040 A1 * 5/2015 Hutton A01K 15/025
119/709
2019/0069521 A1 * 3/2019 Hutton A63H 1/10

OTHER PUBLICATIONS

Cheetop Stainless Steel Spinning Top, available on Amazon.com, oldest customer review May 2, 2020, [site visited Oct. 27, 2022], URL: <https://www.amazon.com/dp/B08HD41T6P/> (Year: 2020).*

Colorful Metal Spinning Top, available on Amazon.com, oldest customer review Dec. 31, 2019, [site visited Oct. 27, 2022], URL: <https://www.amazon.com/Life-Game-Stainless-Precision-Anti-Gravity/dp/B081TDHP97/> (Year: 2019).*

* cited by examiner

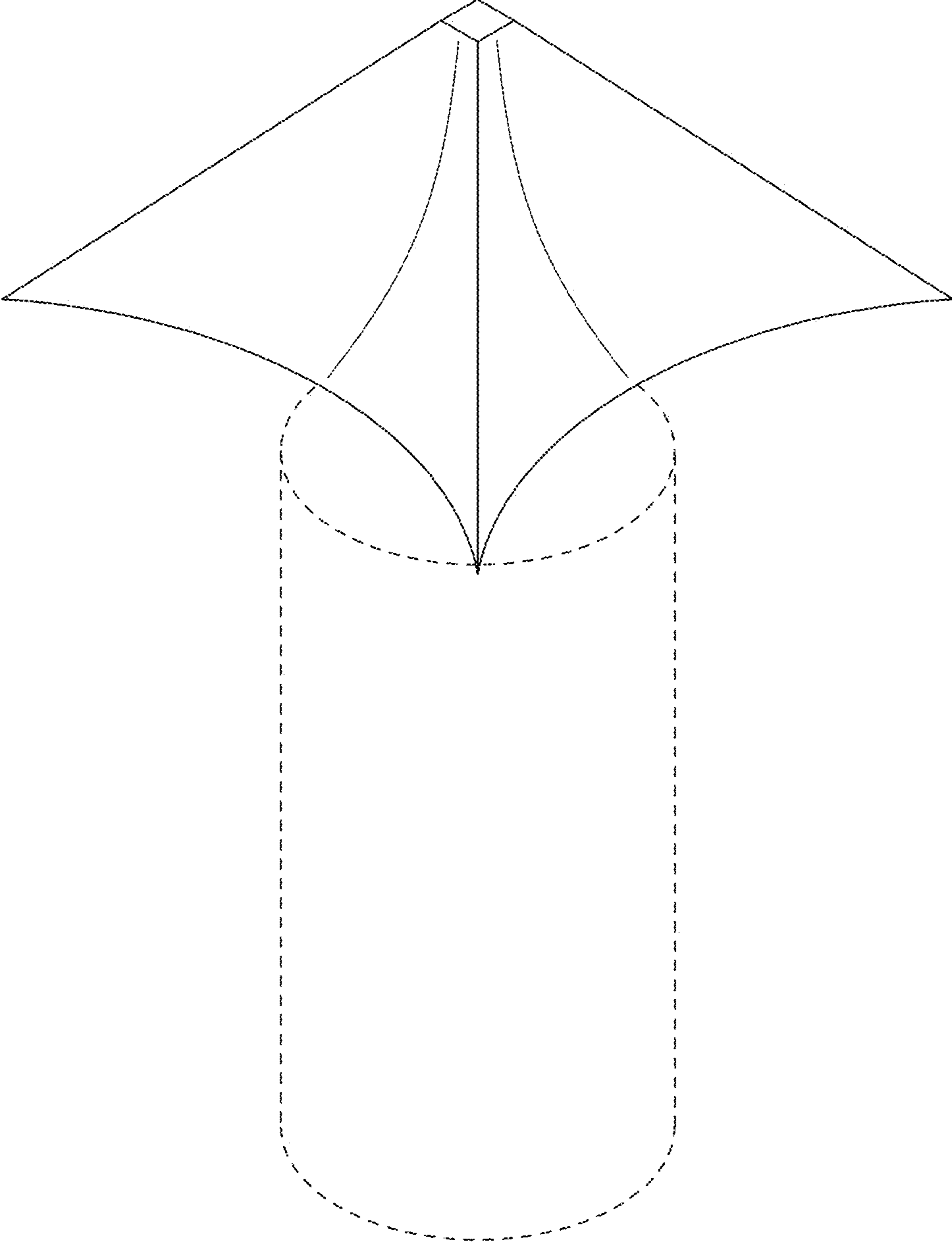


FIG. 1

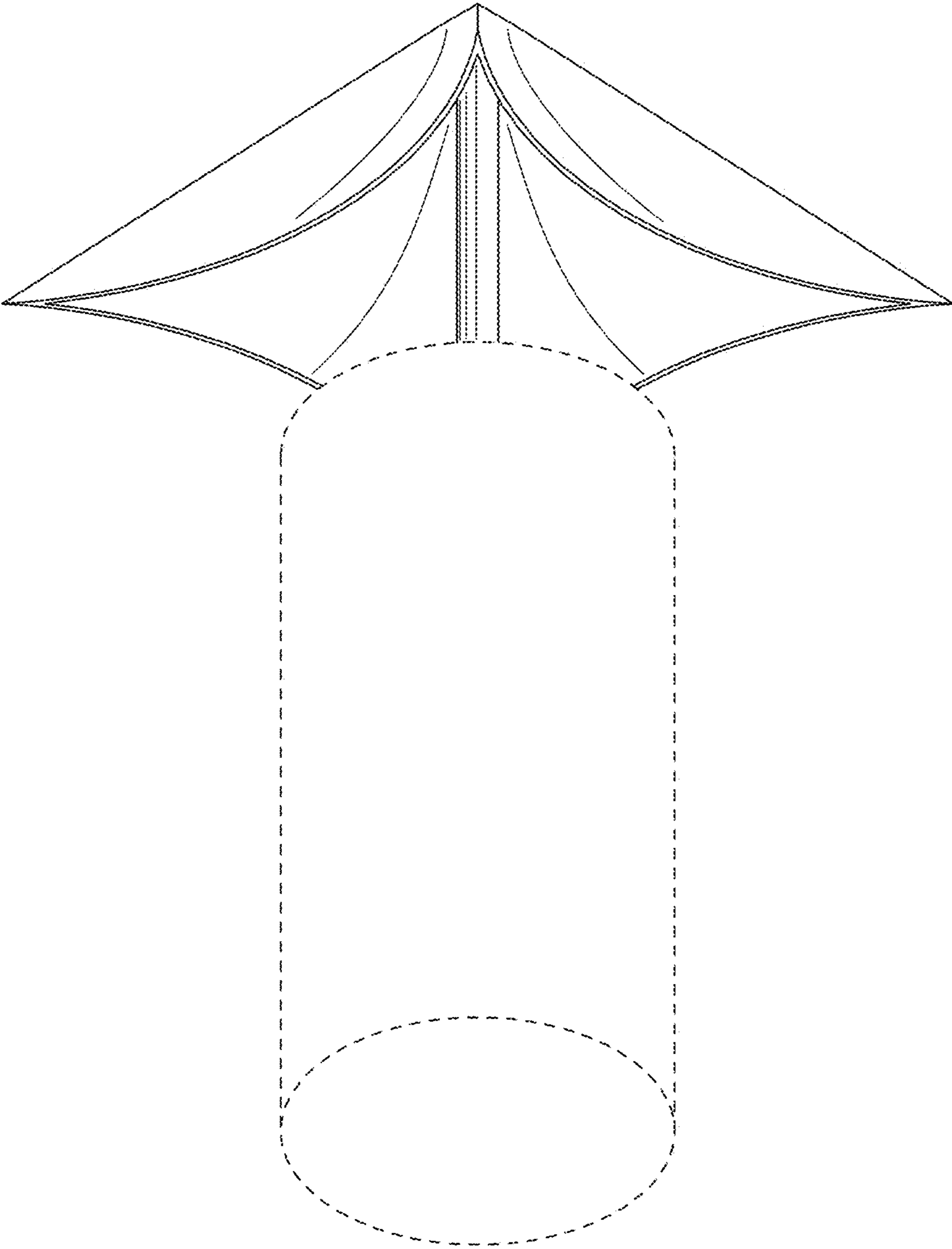


FIG. 2

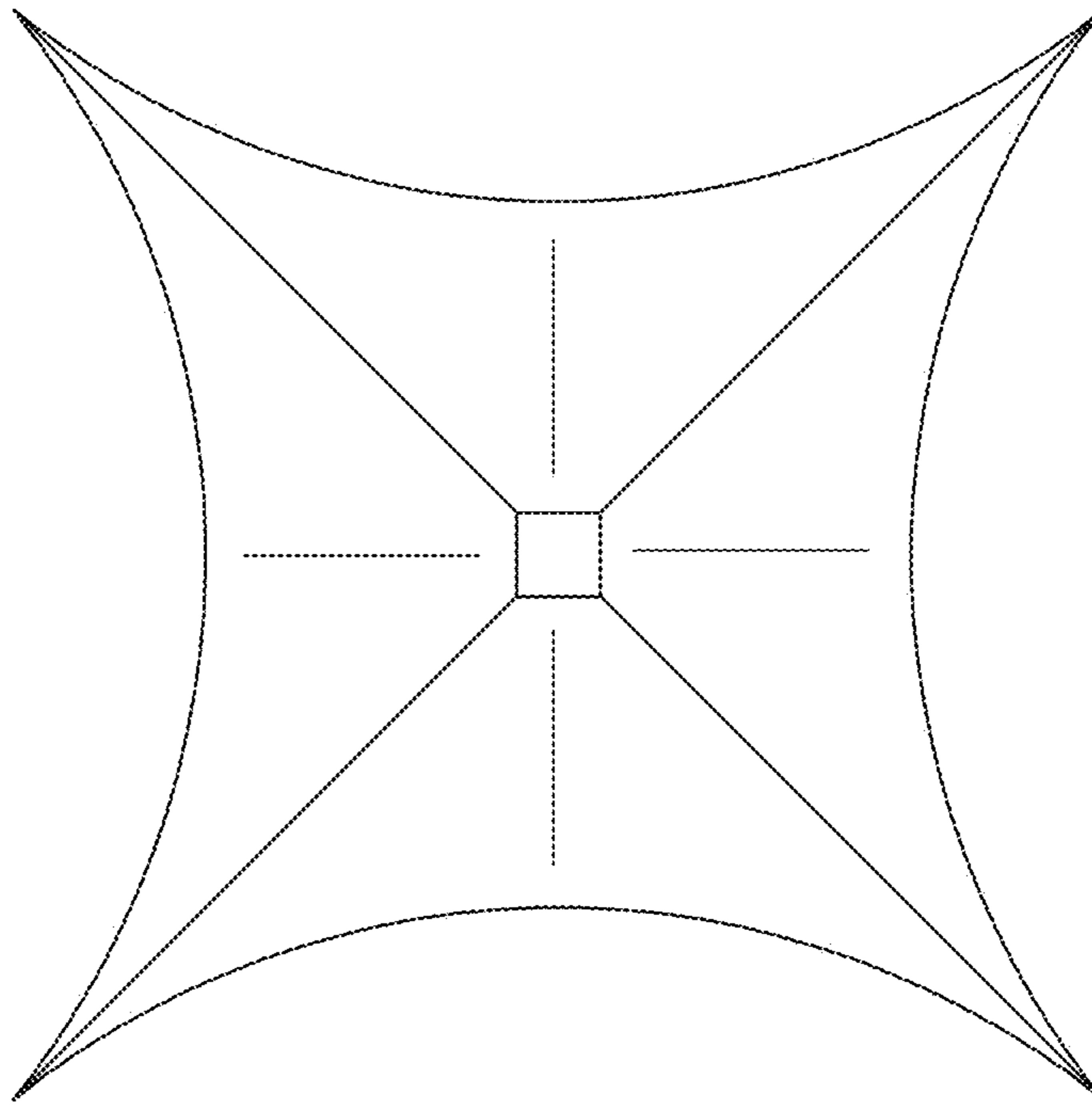


FIG. 3

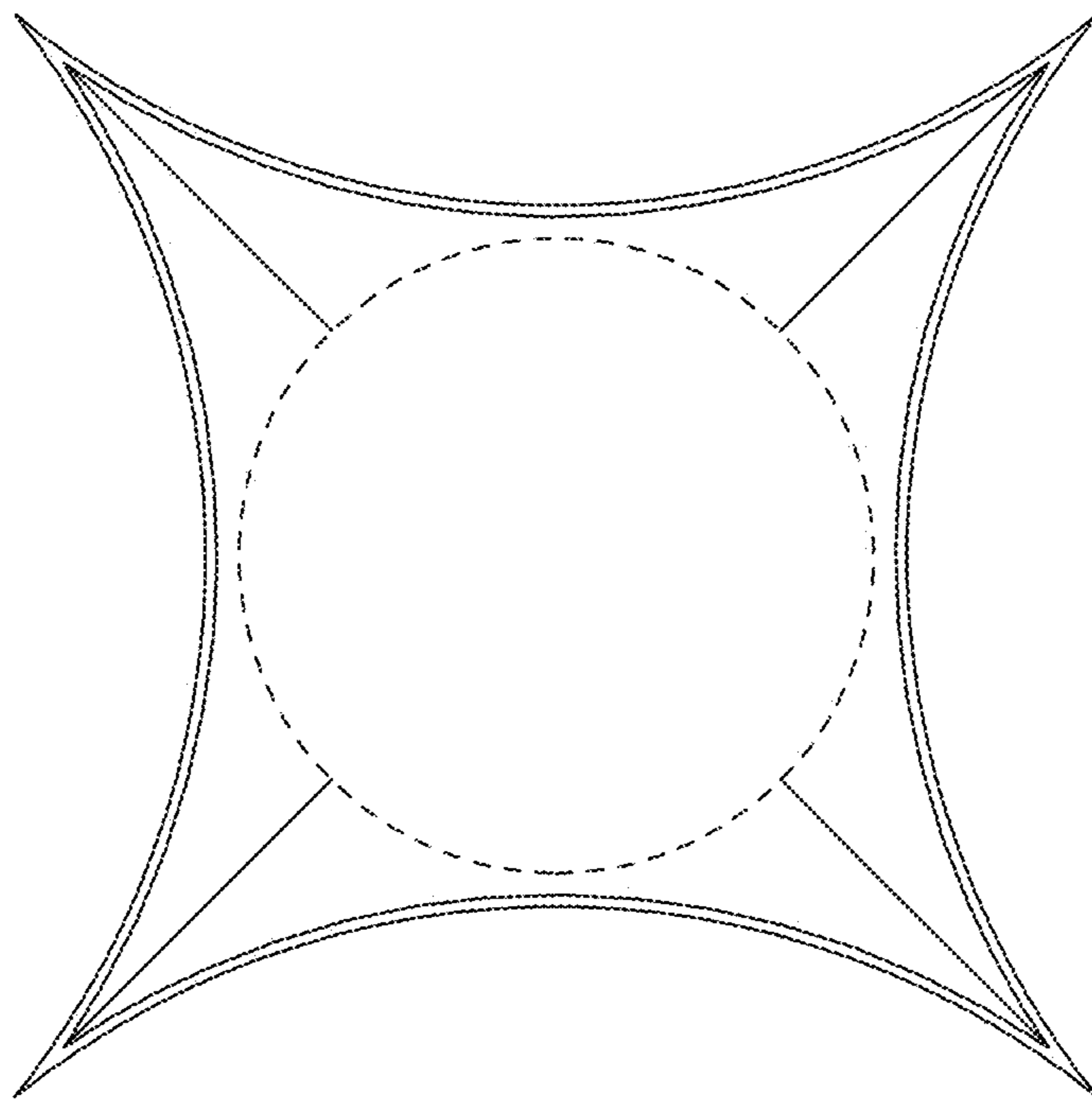


FIG. 4

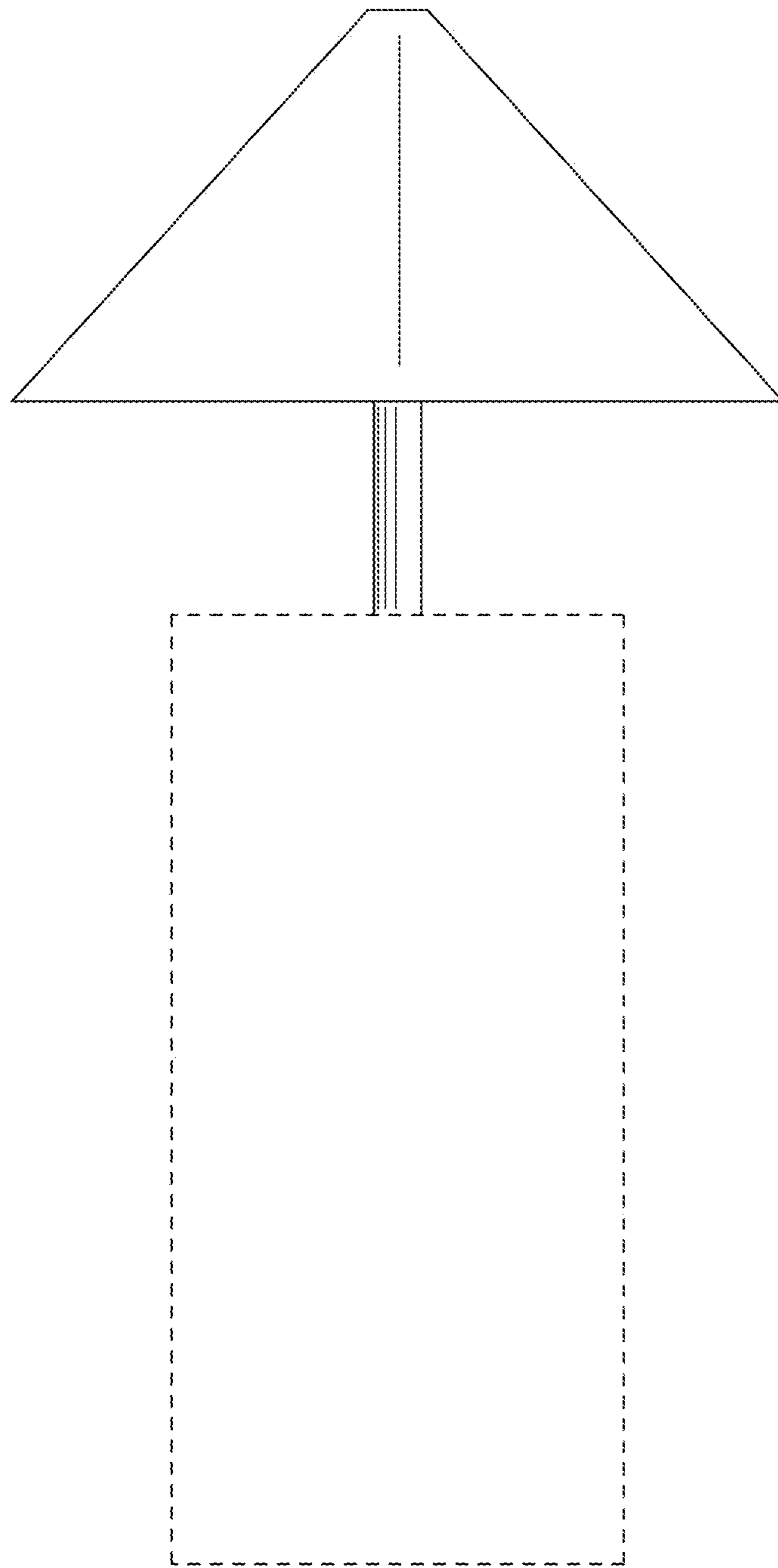


FIG. 5