



US00D982093S

(12) **United States Design Patent**
Zhang

(10) **Patent No.:** **US D982,093 S**
(45) **Date of Patent:** **** Mar. 28, 2023**

(54) **ROCKET TOY**

(71) Applicant: **THINK GREEN LIMITED**, Auckland (NZ)

(72) Inventor: **Shuting Zhang**, Hubei (CN)

(73) Assignee: **THINK GREEN LIMITED**, Auckland (NZ)

(**) Term: **15 Years**

(21) Appl. No.: **29/855,638**

(22) Filed: **Oct. 5, 2022**

(30) **Foreign Application Priority Data**

Jul. 25, 2022 (CN) 202230477042.X

(51) **LOC (14) Cl.** **21-01**

(52) **U.S. Cl.**
USPC **D21/452**

(58) **Field of Classification Search**
USPC D21/430, 436, 447-448, 451-452, 582, D21/585
CPC B64C 23/00
See application file for complete search history.

(56) **References Cited**

U.S. PATENT DOCUMENTS

D338,694 S *	8/1993	Krebs	D21/452
D347,865 S *	6/1994	Bertrand	D21/452
D419,384 S *	1/2000	Collins	D21/452
D438,914 S *	3/2001	O'Rourke	D21/452
D462,492 S	9/2002	Neuhaus		
D474,237 S *	5/2003	Levine	D19/138
D509,261 S *	9/2005	Tebbe	D21/452
D624,971 S *	10/2010	Cohen	D6/337
D647,561 S	10/2011	De Oliveira et al.		
D816,508 S *	5/2018	McArdle	D9/674
D873,671 S	1/2020	Altieri		

D888,162 S *	6/2020	Fang	D21/452
D903,005 S *	11/2020	Ma	D21/452
D905,176 S *	12/2020	Ramirez	D21/448

(Continued)

OTHER PUBLICATIONS

Rocket Construction Toy Set—18 Pc Wooden Construction, Jan. 12, 2018, amazon.ca, Nov. 7, 2022, URL: <https://www.amazon.ca/Rocket-Construction-Toy-Set-Craftsmanship/dp/B078Z37KV9/> (Year: 2018).*

(Continued)

Primary Examiner — Keith J Wilson

(74) *Attorney, Agent, or Firm* — Dragon Sun Law Firm, PC; Jinggao Li; Nathaniel Perkins

(57) **CLAIM**

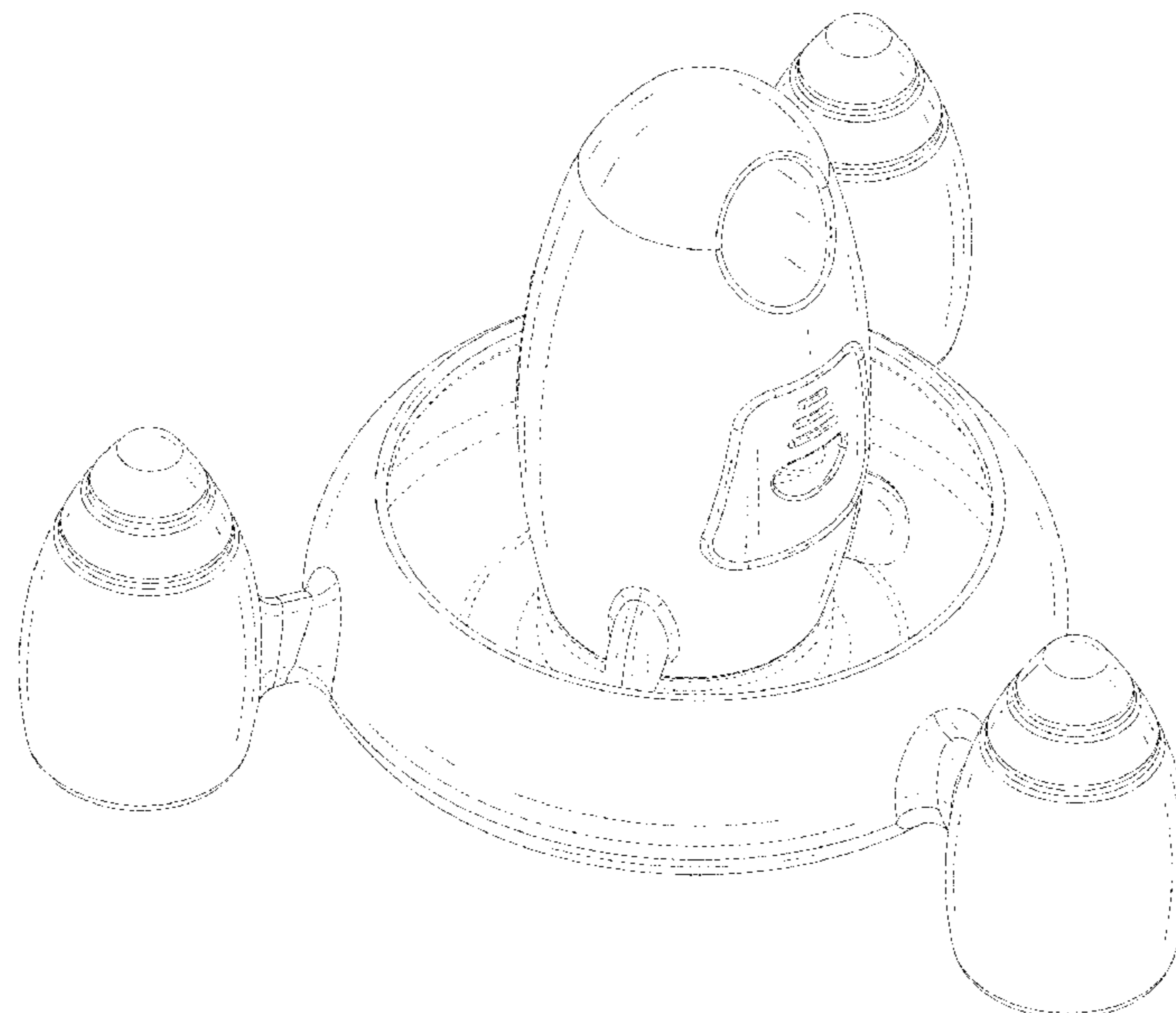
The ornamental design for a rocket toy, as shown and described.

DESCRIPTION

FIG. 1 is a top, front, left side perspective view of a rocket toy embodying my new design; FIG. 2 is a bottom, rear, right side perspective view thereof; FIG. 3 is a front elevation view thereof; FIG. 4 is a rear elevation view thereof; FIG. 5 is a left side elevation view thereof; FIG. 6 is a right side elevation view thereof; FIG. 7 is a top plan view thereof; FIG. 8 is a bottom plan view thereof; FIG. 9 is a first exploded perspective view thereof; FIG. 10 is a second exploded perspective view thereof; and, FIG. 11 is an enlarged view of the selected portion 11 in FIG. 7.

The broken lines shown in the figures depict portions of the rocket toy that form no part of the claimed design. The dot-dash broken lines represent boundaries of the enlarged portions and form no part of the claimed design.

1 Claim, 11 Drawing Sheets



(56)

References Cited

U.S. PATENT DOCUMENTS

D933,746 S 10/2021 Kinner
D948,627 S * 4/2022 Lin D21/452

OTHER PUBLICATIONS

Toy Space Baby Shower Rocket Bath Toy Infants, Jan. 12, 2018,
amazon.ca, Nov. 7, 2022, URL: <https://www.amazon.ca/Space-Shower-Rocket-Infants-Bathtub/dp/B09LTTSRQ2/> (Year: 2018).*

* cited by examiner

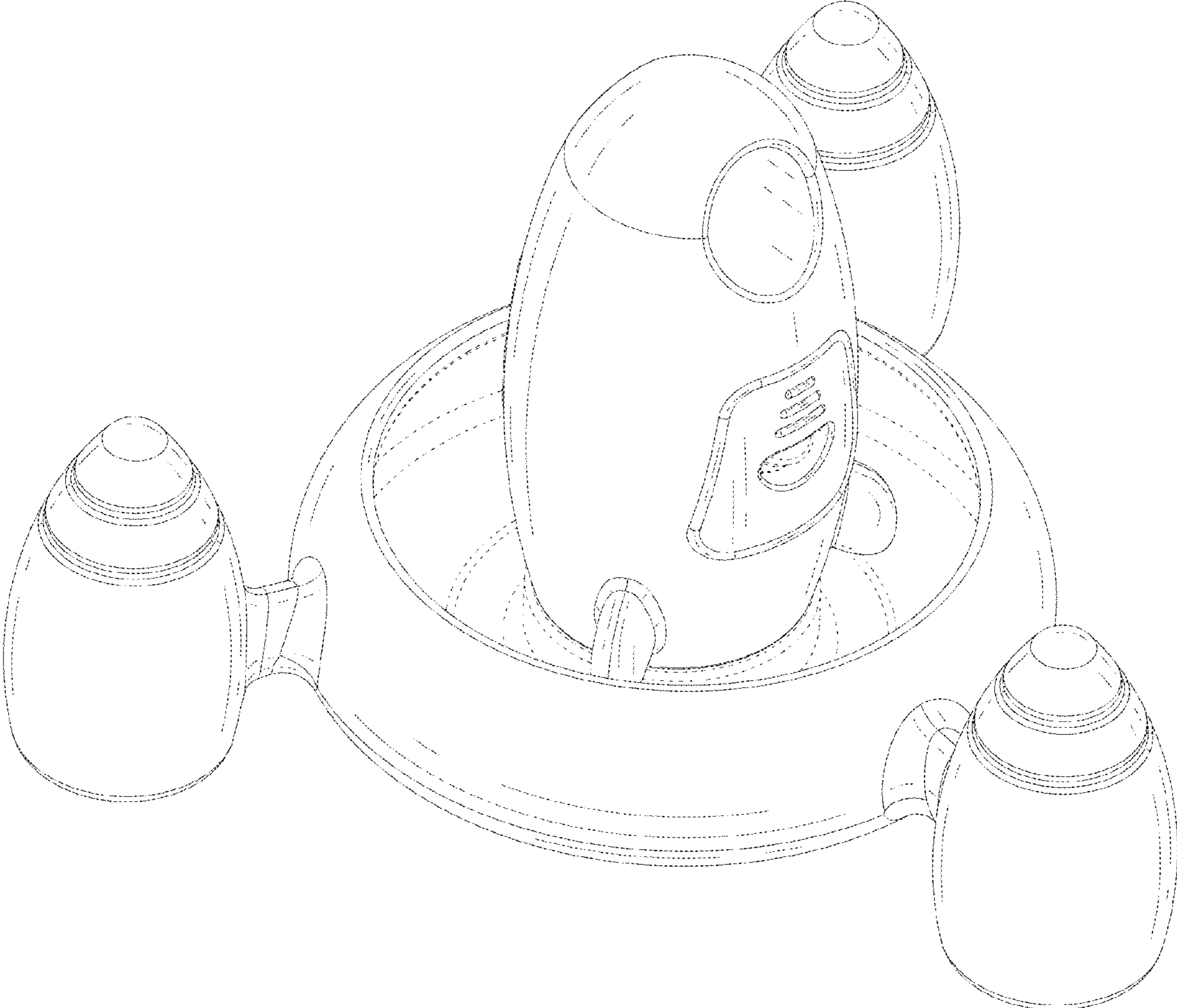


FIG.1

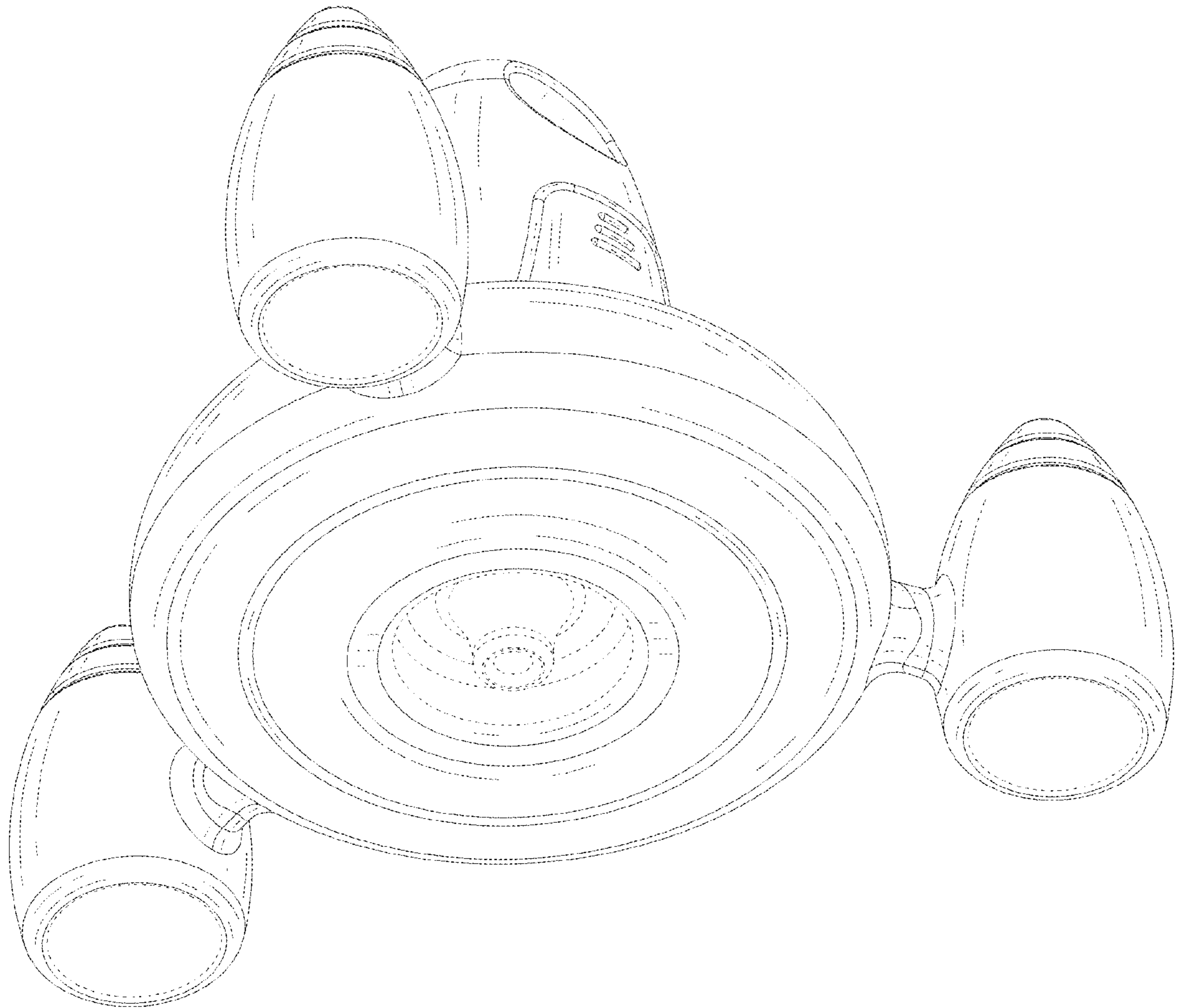


FIG.2

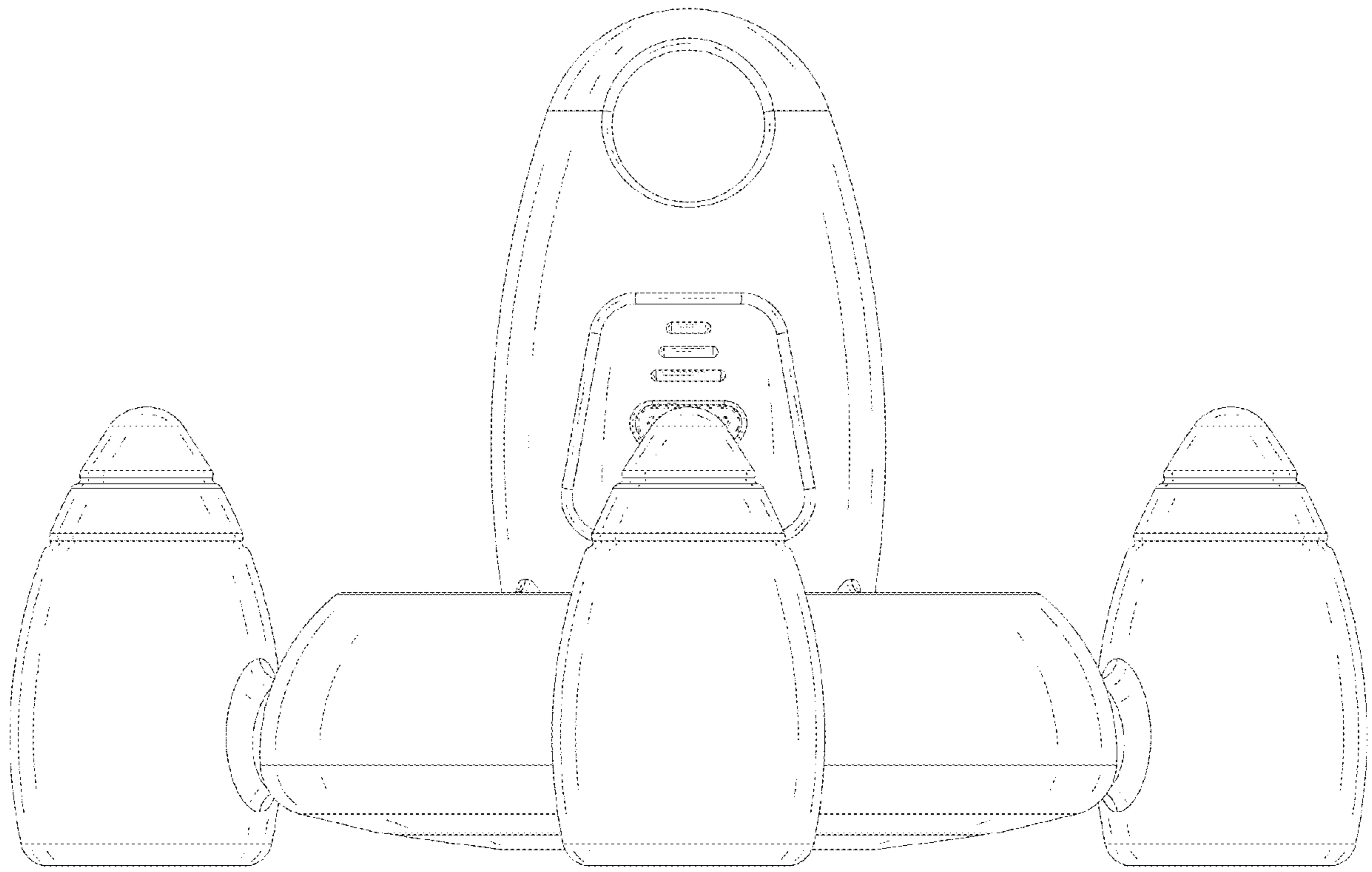


FIG.3

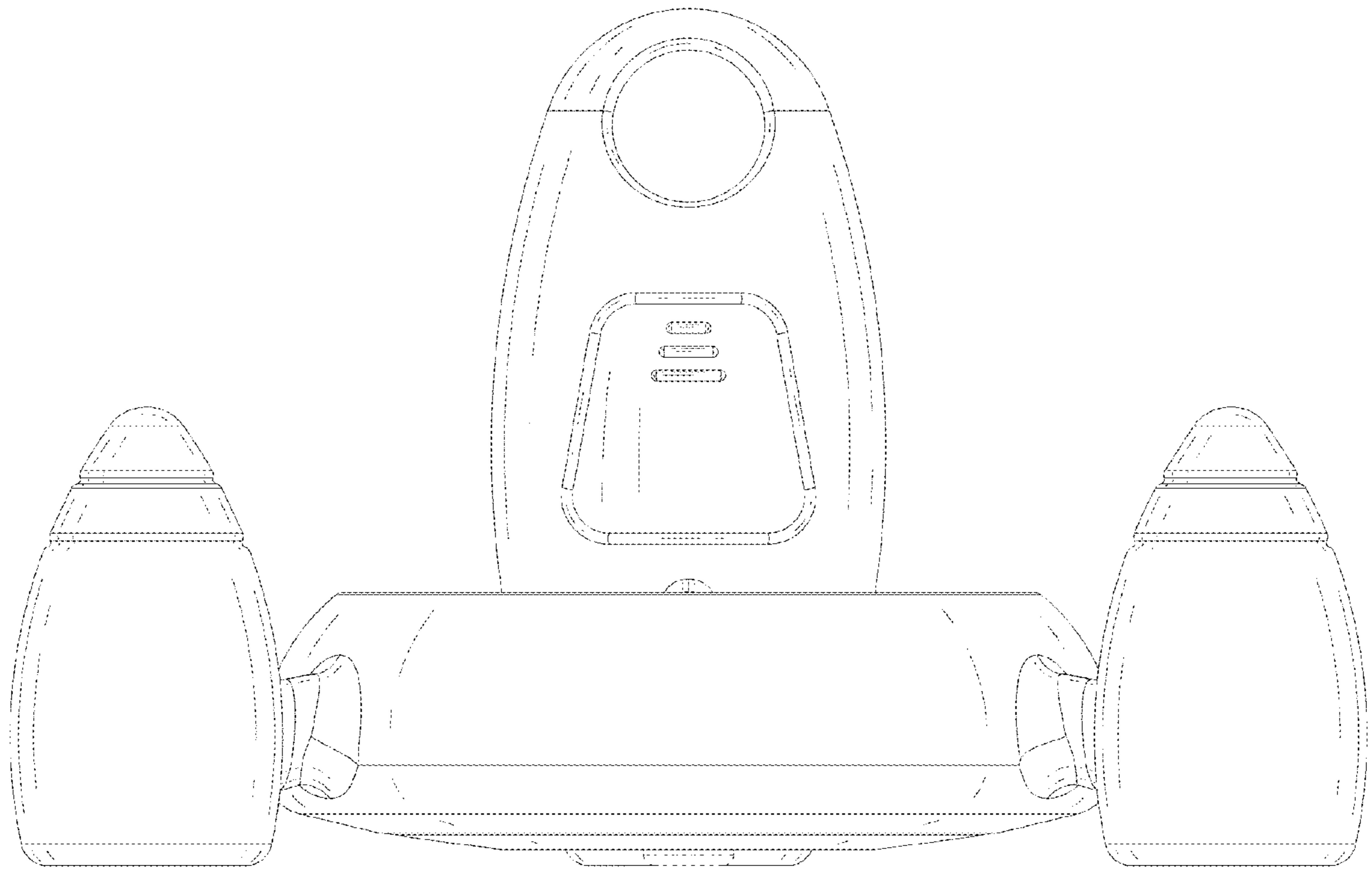


FIG.4

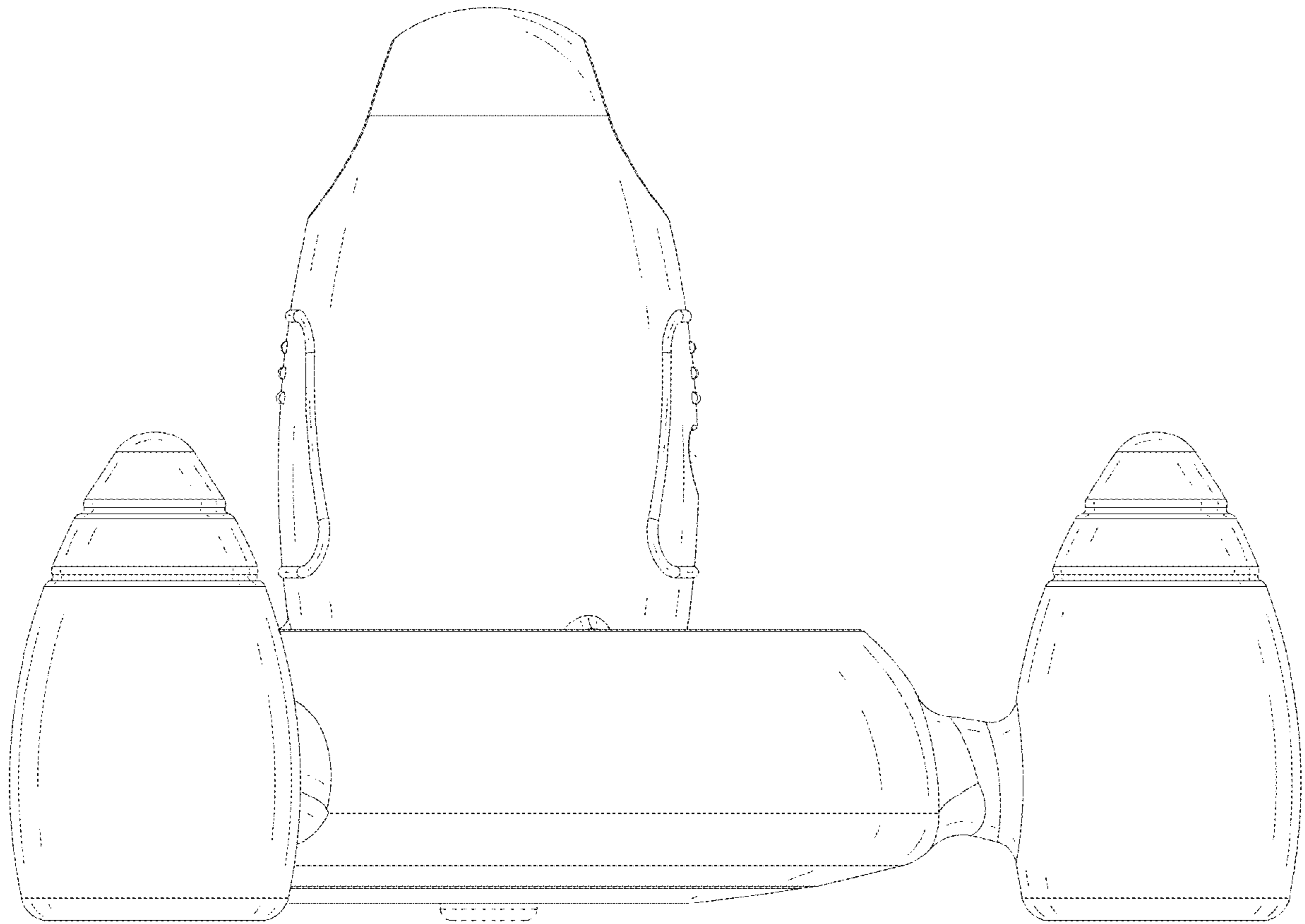


FIG.5

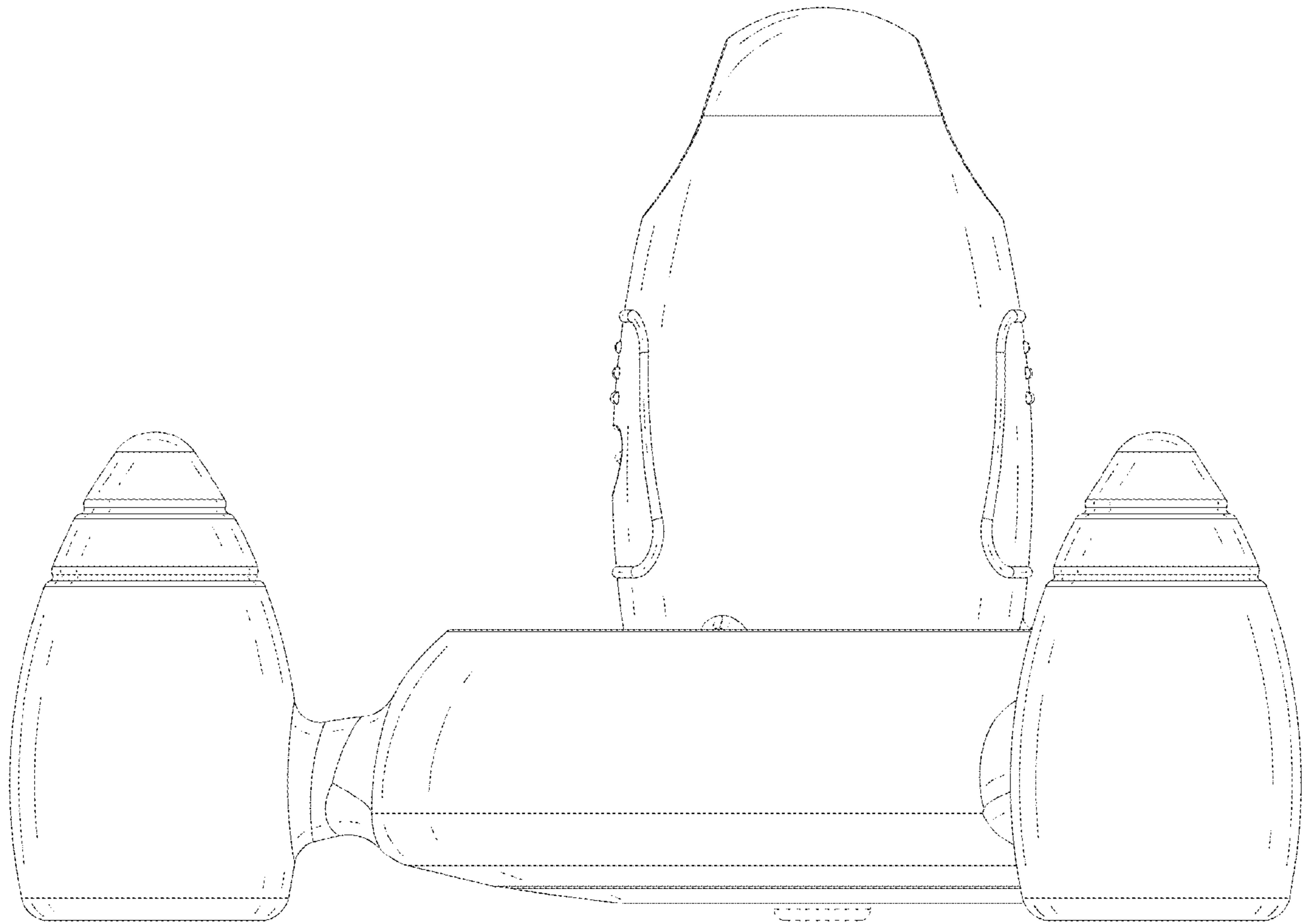


FIG.6

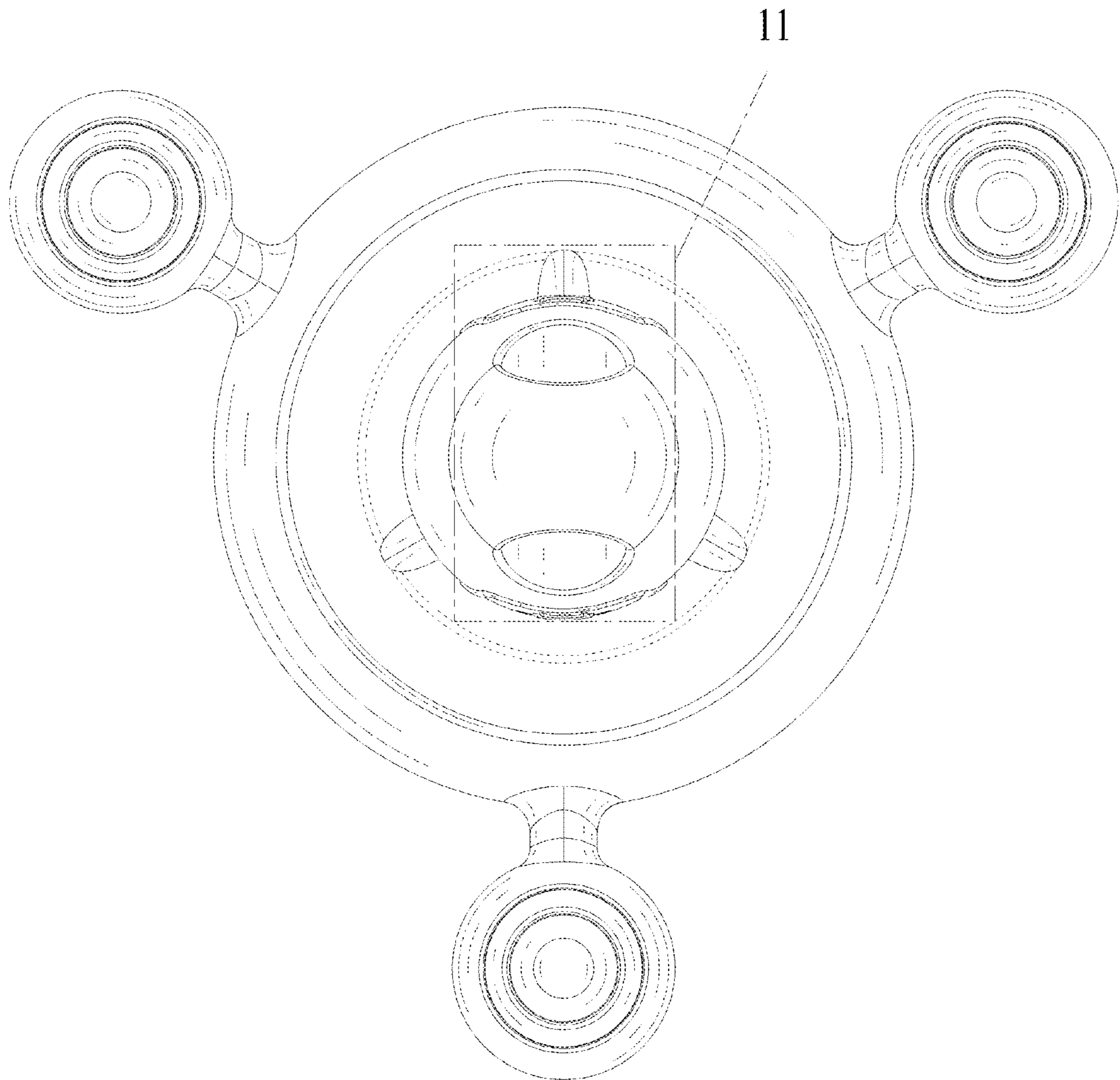


FIG.7

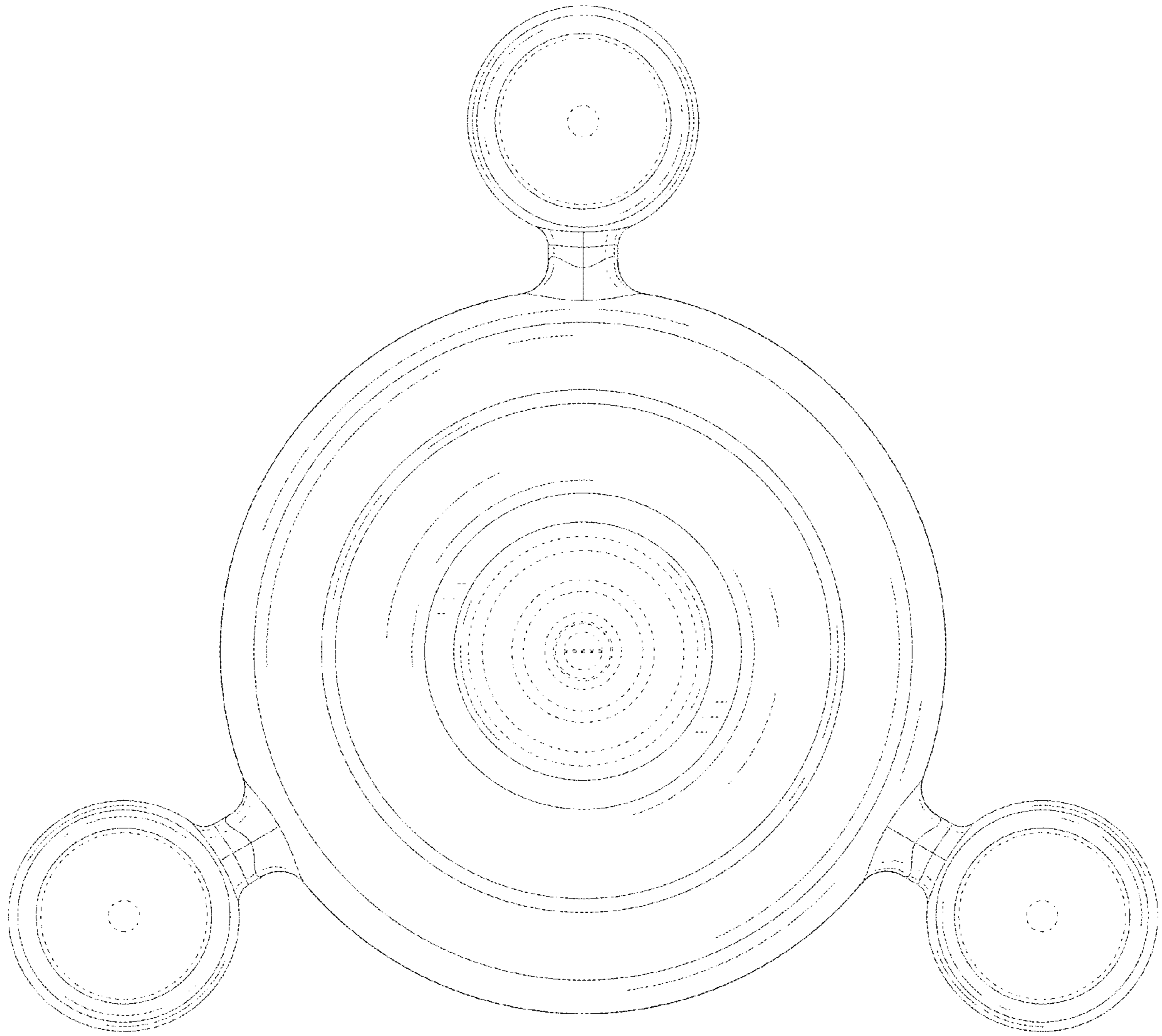


FIG.8

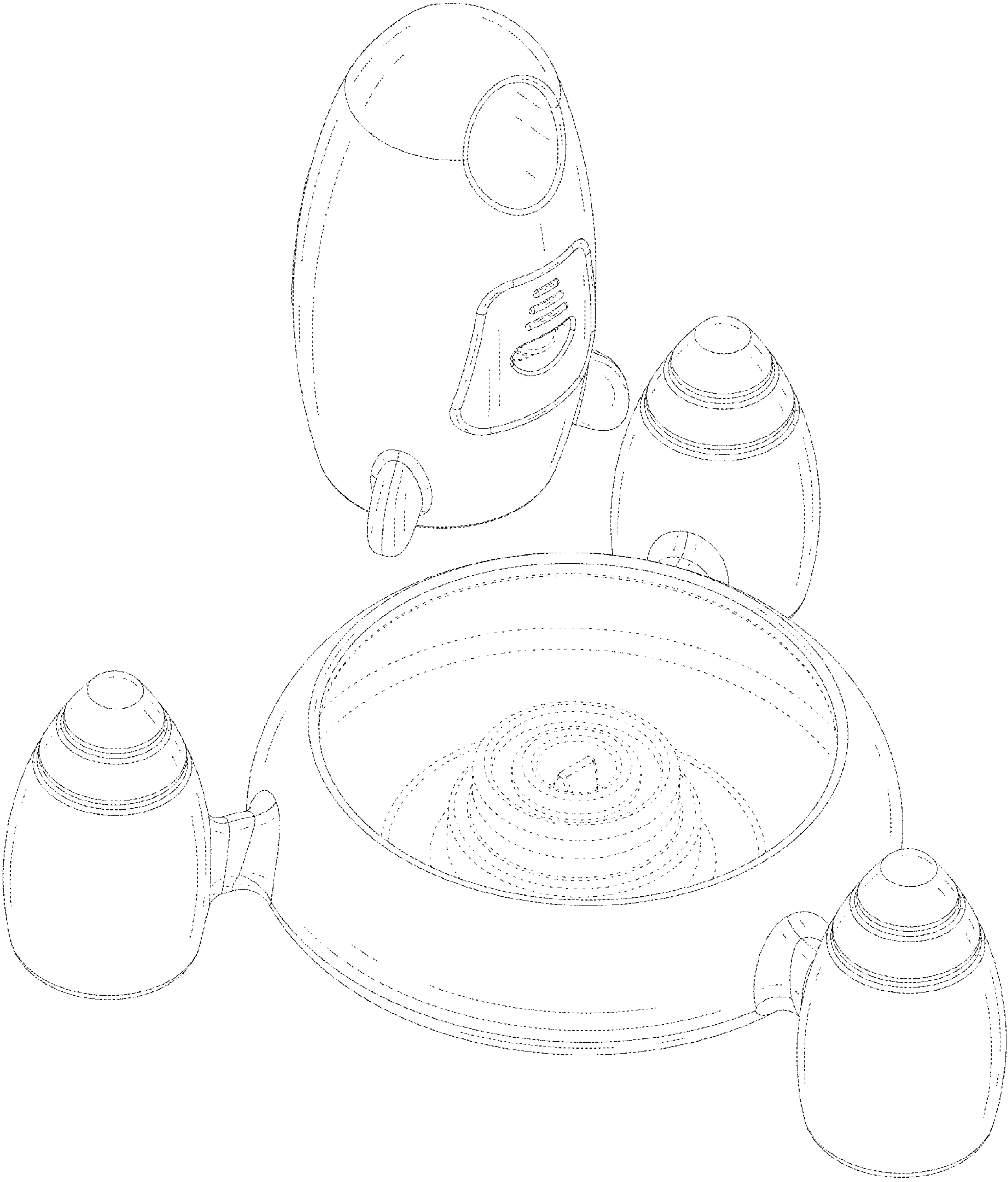


FIG.9

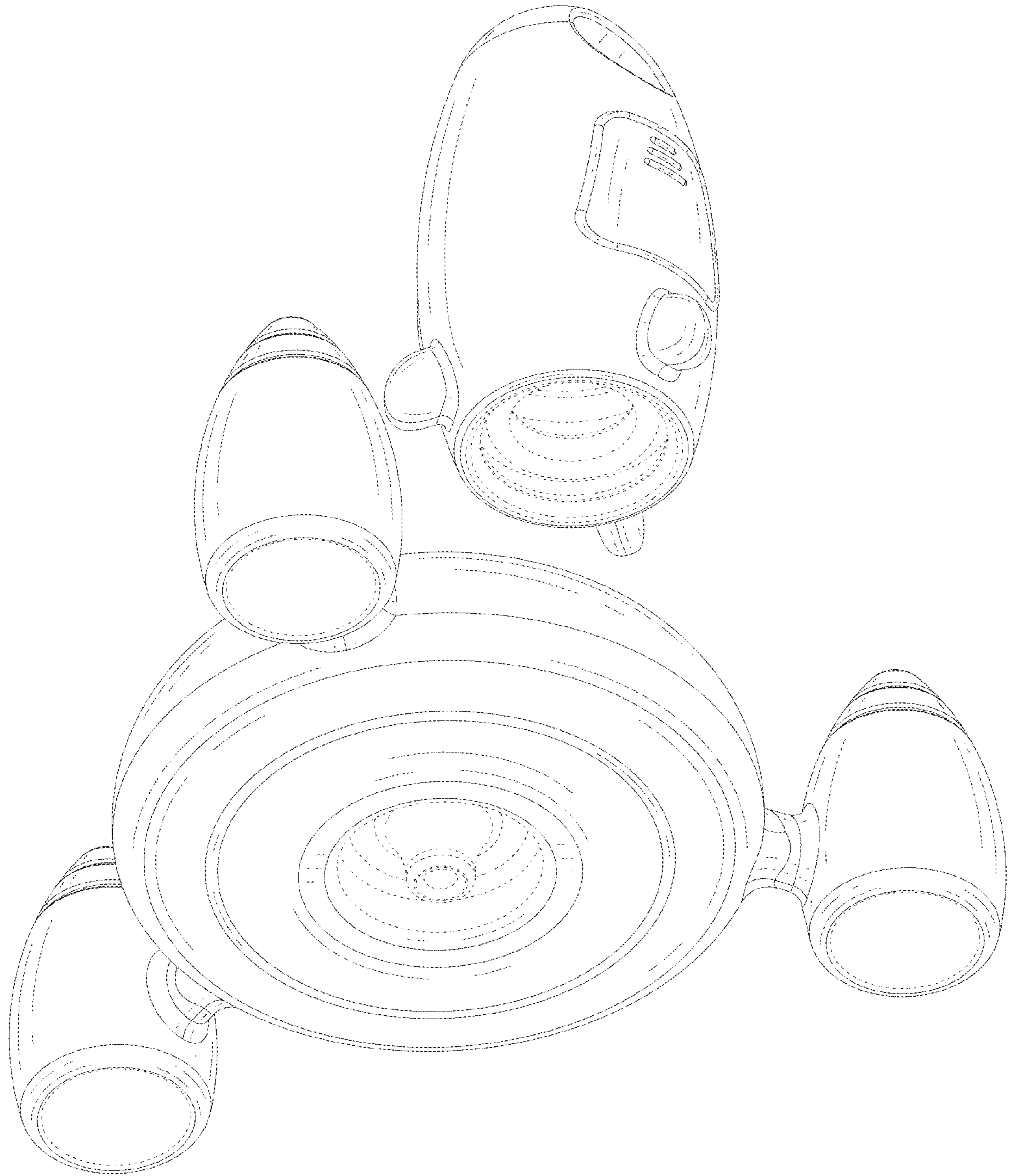


FIG.10

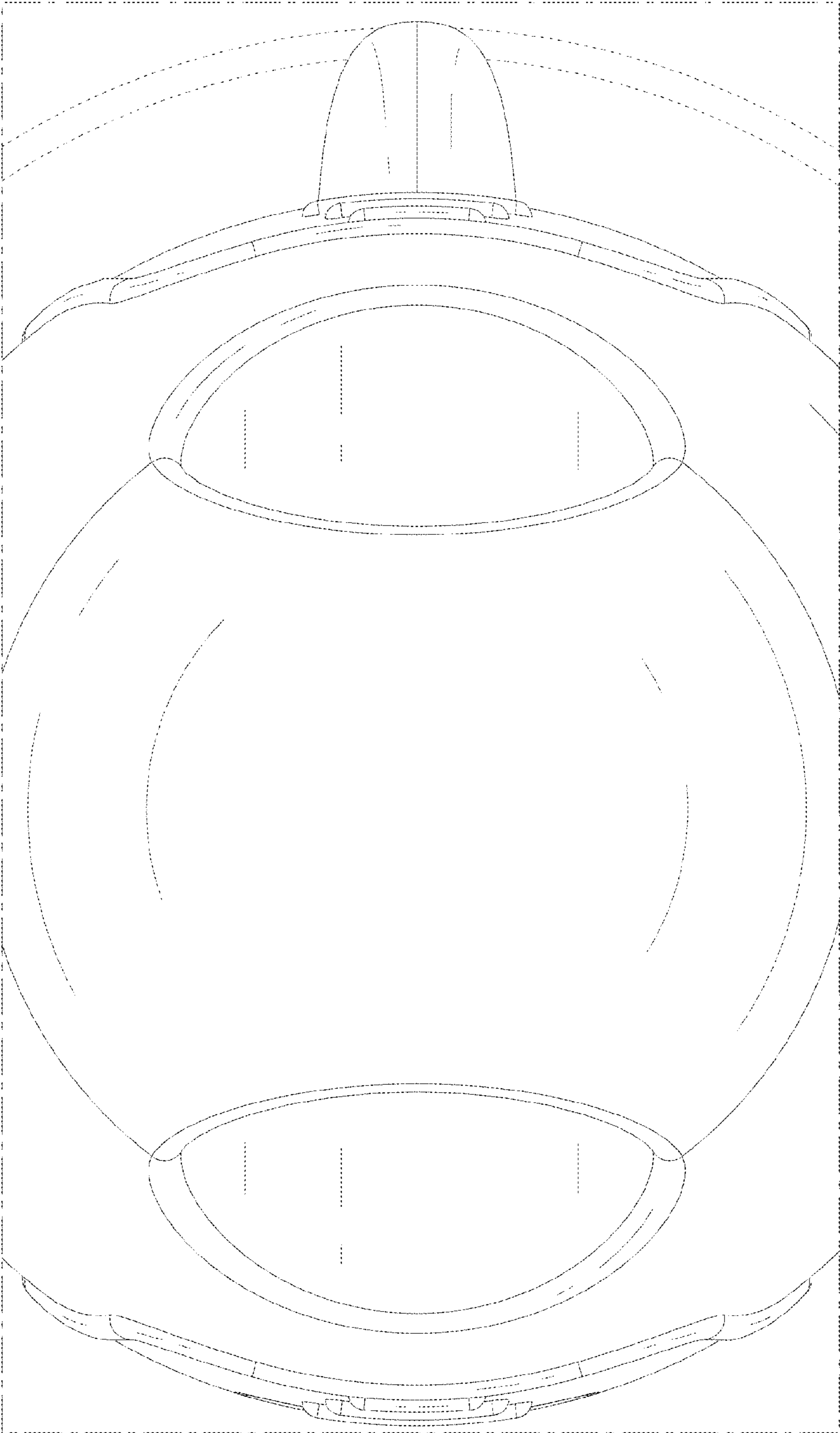


FIG.11