



US00D982092S

(12) **United States Design Patent**
Kane

(10) **Patent No.:** **US D982,092 S**

(45) **Date of Patent:** **** Mar. 28, 2023**

(54) **TOY JET**

(71) Applicant: **Aqua-Leisure Recreation, LLC**, Avon,
MA (US)

(72) Inventor: **Jesse Kane**, Attleboro, MA (US)

(73) Assignee: **Aqua-Leisure Recreation, LLC**,
Stoughton, MA (US)

(**) Term: **15 Years**

(21) Appl. No.: **29/781,985**

(22) Filed: **May 3, 2021**

(51) **LOC (14) Cl.** **21-01**

(52) **U.S. Cl.**
USPC **D21/448**

(58) **Field of Classification Search**
USPC D21/430, 447, 448, 582, 803, 808; 441/8
CPC A63H 27/06; A63H 27/04; A63H 23/10;
A63H 27/00; B64C 39/10; B64C
2201/021

See application file for complete search history.

(56) **References Cited**

U.S. PATENT DOCUMENTS

D231,478 S * 4/1974 Lee D21/448
D255,789 S * 7/1980 Bowers D12/342

D866,394 S * 11/2019 Shih D12/16.1
D941,416 S * 1/2022 Scoufos D21/808
2008/0194170 A1* 8/2008 Feng A63H 27/02
446/34
2013/0109266 A1* 5/2013 Vanderbeek A63H 27/007
244/49

* cited by examiner

Primary Examiner — Gino Colan

Assistant Examiner — Gregory G McLemore

(74) *Attorney, Agent, or Firm* — Wolf, Greenfield &
Sacks, P.C.

(57) **CLAIM**

The ornamental design for toy jet, as shown and described.

DESCRIPTION

FIG. 1 is a perspective view of the toy jet in accordance with my new design.

FIG. 2 is a top plan view of the toy jet of FIG. 1.

FIG. 3 is a left-side elevational view of the toy jet.

FIG. 4 is a right-side elevational view of the toy jet.

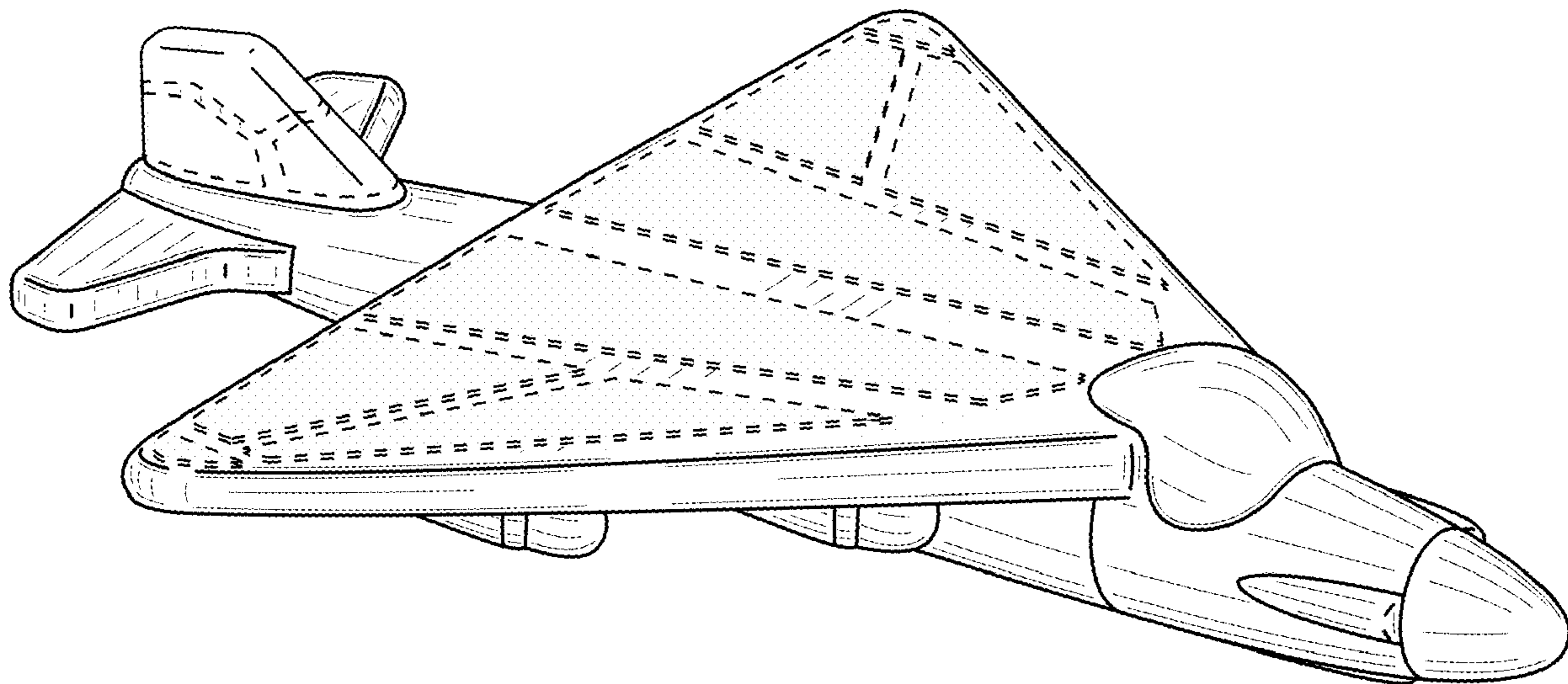
FIG. 5 is a bottom plan view of the toy jet.

FIG. 6 is a rear elevational view of the toy jet; and,

FIG. 7 is a front elevational view of the toy jet.

The broken lines shown in the figures are for the purpose of illustrating portions of the toy jet and form no part of the claimed design.

1 Claim, 5 Drawing Sheets



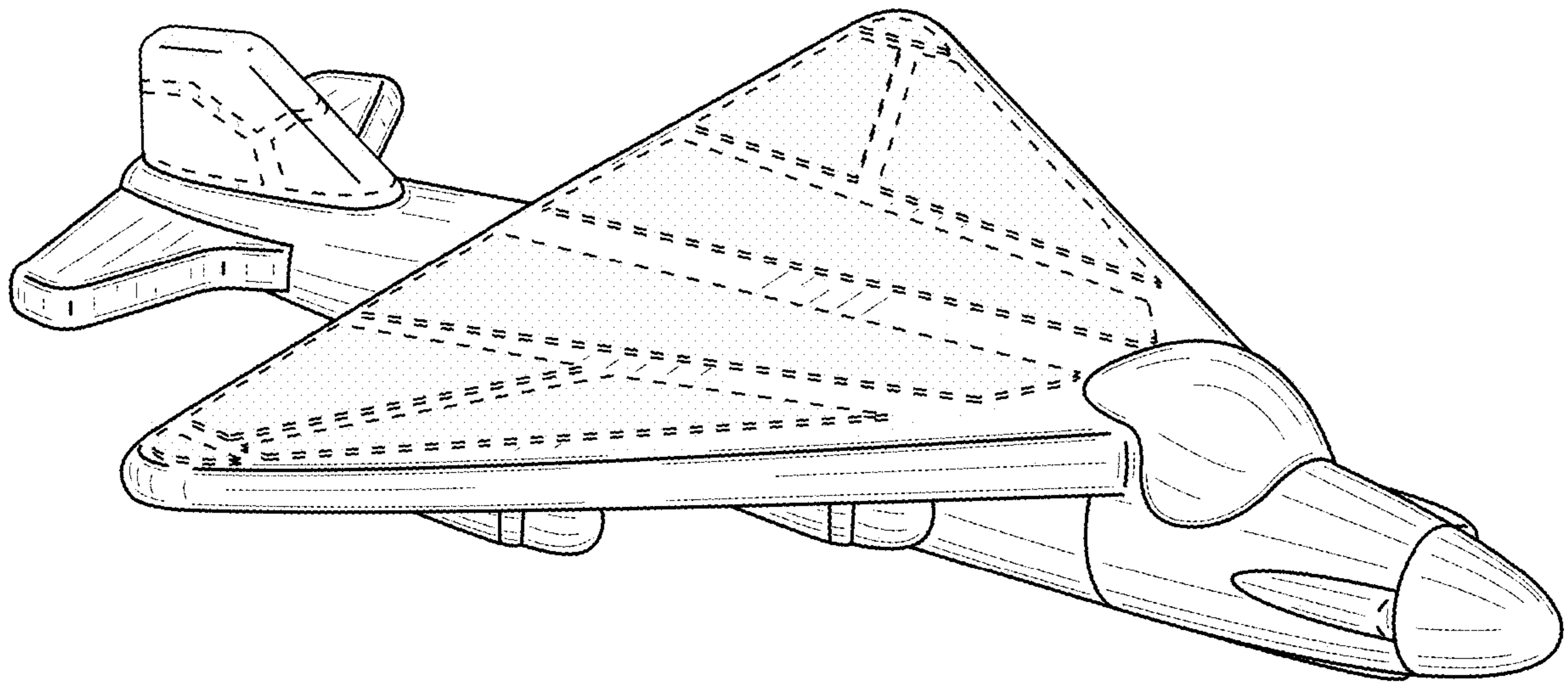


FIG. 1

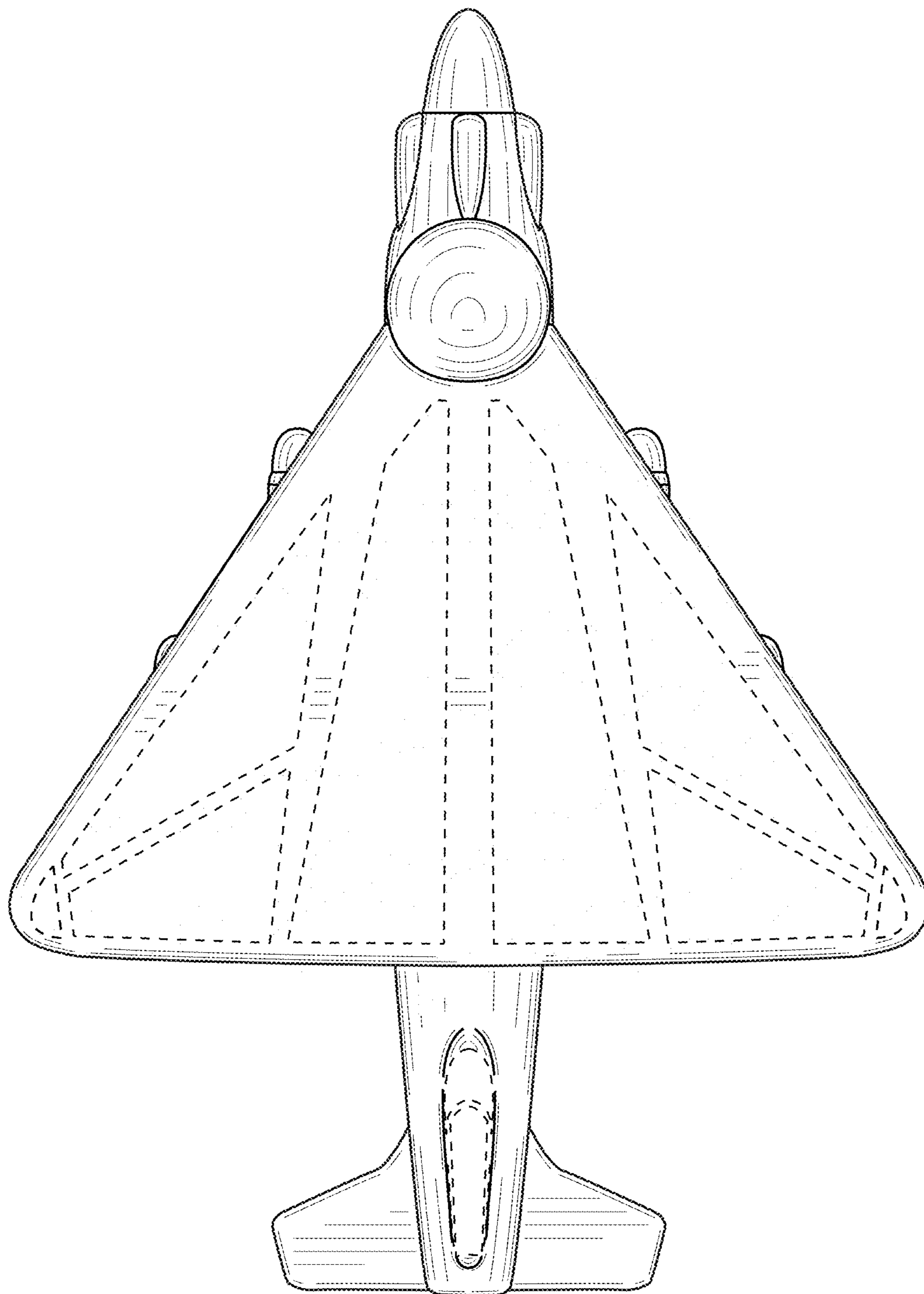


FIG. 2

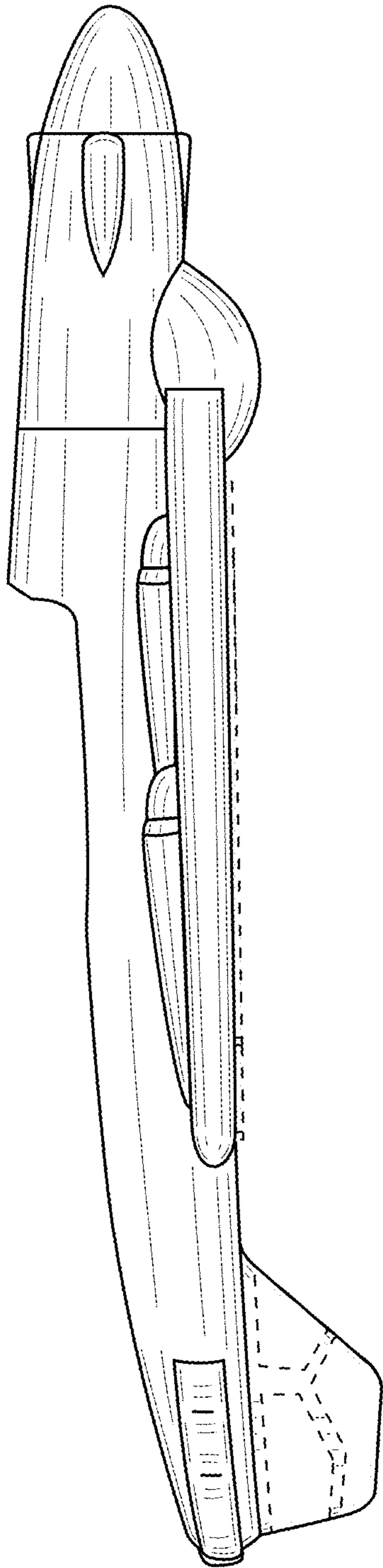


FIG. 3

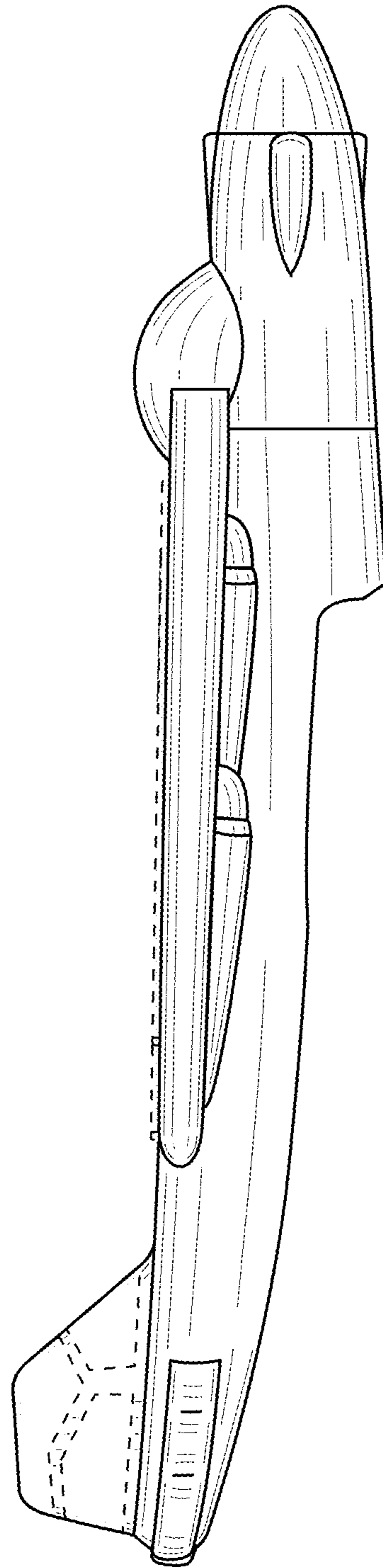


FIG. 4

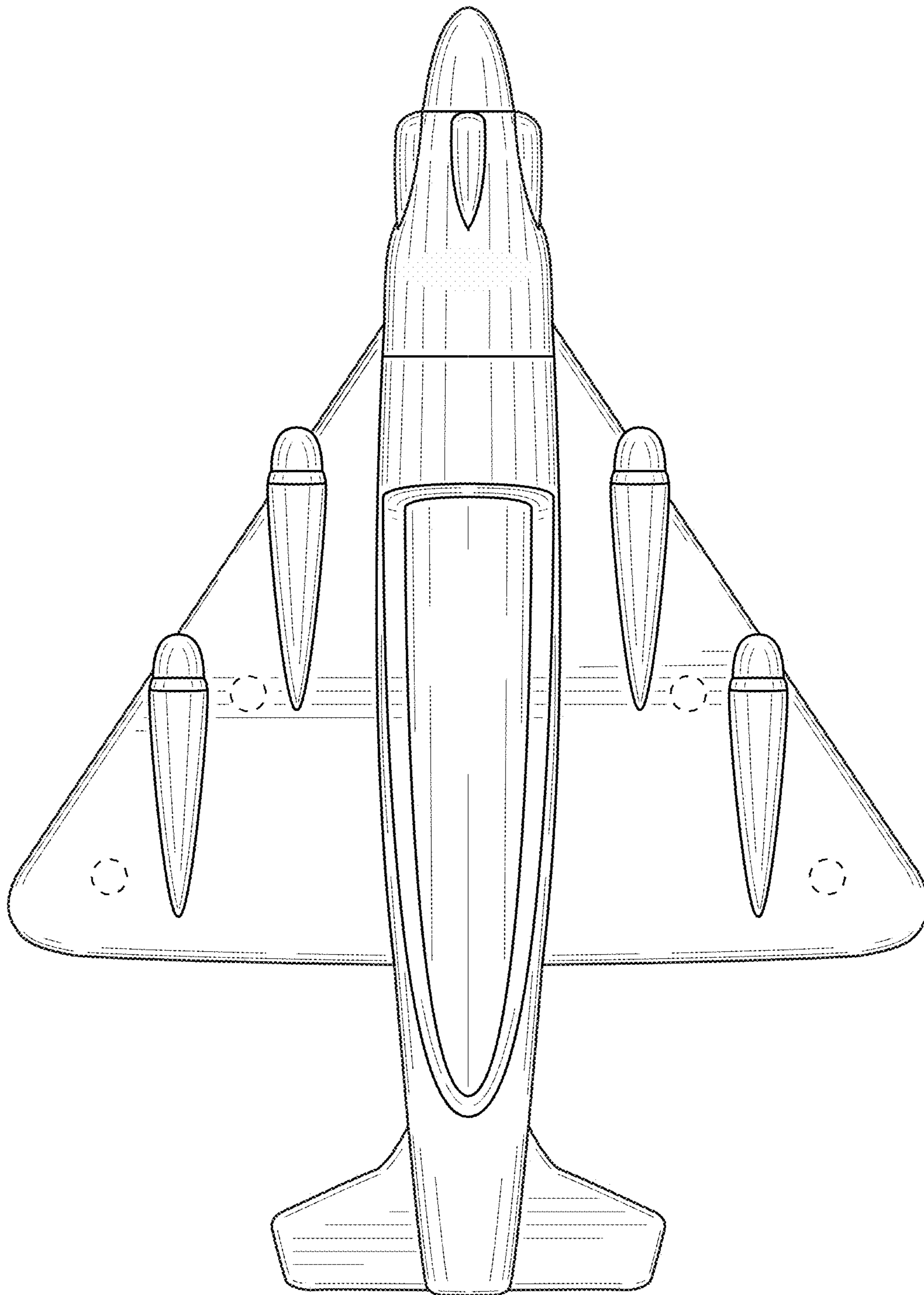


FIG. 5

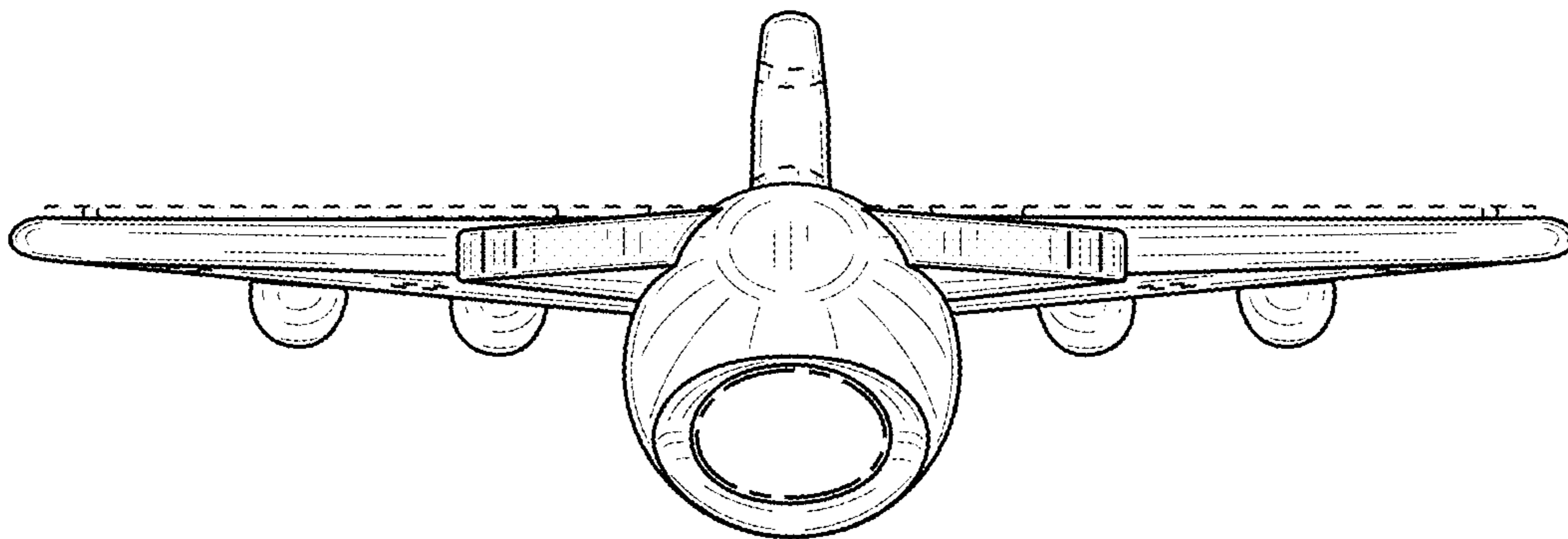


FIG. 6

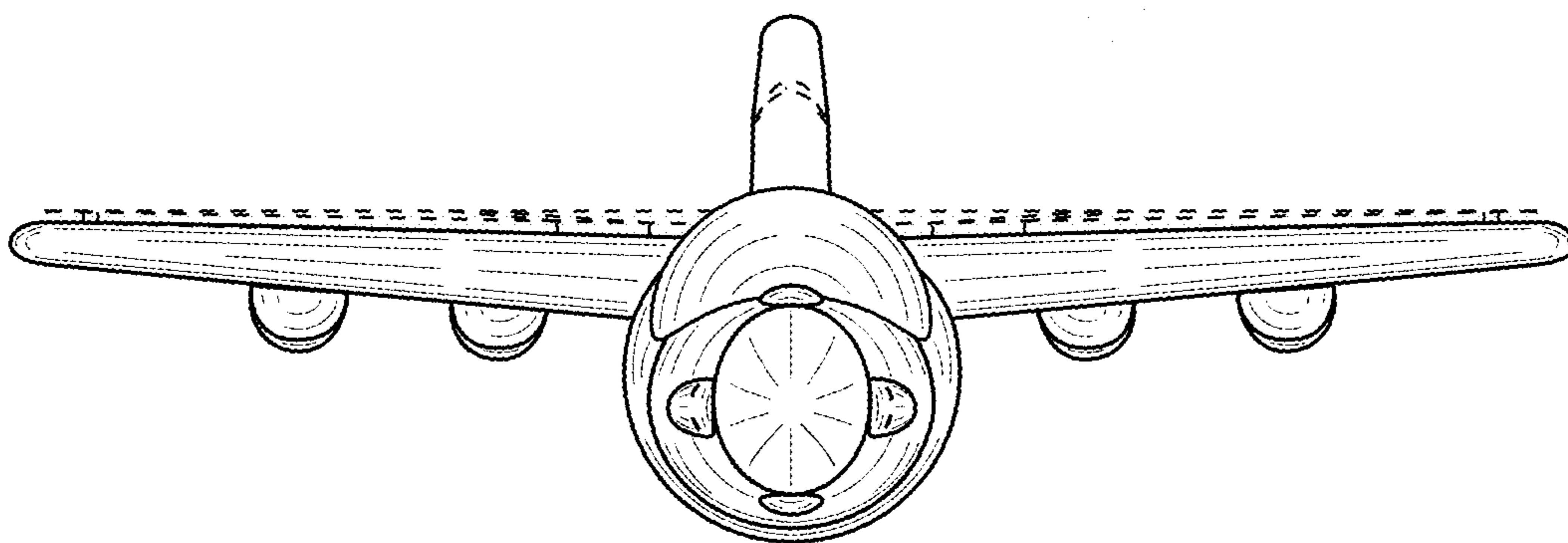


FIG. 7