



US00D982091S

(12) **United States Design Patent**
Buelens et al.

(10) **Patent No.:** **US D982,091 S**
(45) **Date of Patent:** **** Mar. 28, 2023**

(54) **VEHICLE TOY SET**

(71) Applicant: **SMART N.V.**, Kontich (BE)
(72) Inventors: **Tom Buelens**, Borgerhout (BE); **Emma Ribbens**, Antwerp (BE)
(73) Assignee: **SMART N.V.**, Kontich (BE)
(**) Term: **15 Years**

(21) Appl. No.: **29/739,957**

(22) Filed: **Jun. 30, 2020**

(30) **Foreign Application Priority Data**

Dec. 31, 2019 (EM) 007466339-0010

(51) **LOC (14) Cl.** **21-01**

(52) **U.S. Cl.**
USPC **D21/434**; D21/533; D21/537; D21/553;
D21/554; D21/555; D21/556

(58) **Field of Classification Search**

USPC D21/419, 424, 427, 428, 431, 433, 434,
D21/477, 483, 495, 533, 537, 539, 548,
(Continued)

(56) **References Cited**

U.S. PATENT DOCUMENTS

D202,637 S * 10/1965 Campbell D21/556
D207,651 S * 5/1967 Ryan et al. D21/557
(Continued)

FOREIGN PATENT DOCUMENTS

CA 2389263 A1 * 12/2003 A63H 17/26
GB 9007466339-0010 * 12/2019
(Continued)

OTHER PUBLICATIONS

“Wonder Wheels by Battat,” Jul. 3, 2018, amazon.ca, site visited
Jan. 27, 2022, URL: <https://www.amazon.ca/dp/B07BF1LYKJ/> (Year:
2018).*

(Continued)

Primary Examiner — Eric L Goodman
Assistant Examiner — Sarah L Smith
(74) *Attorney, Agent, or Firm* — Hodgson Russ LLP

(57) **CLAIM**

The ornamental design for a vehicle toy set, as shown and described.

DESCRIPTION

FIG. 1 is a perspective view of a vehicle toy set;
FIG. 2 is a perspective view of a first piece of the vehicle toy set;
FIG. 3 is a right side elevation view thereof;
FIG. 4 is a left side elevation view thereof;
FIG. 5 is a front elevation view thereof;
FIG. 6 is a rear elevation view thereof;
FIG. 7 is a top plan view thereof;
FIG. 8 is a bottom plan view thereof;
FIG. 9 is a perspective view of a second piece of the vehicle toy set;
FIG. 10 is a right side elevation view thereof;
FIG. 11 is a left side elevation view thereof;
FIG. 12 is a front elevation view thereof;
FIG. 13 is a rear elevation view thereof;
FIG. 14 is a top plan view thereof;
FIG. 15 is a bottom plan view thereof;
FIG. 16 is a perspective view of a third piece of the vehicle toy set;
FIG. 17 is a right side elevation view thereof;
FIG. 18 is a left side elevation view thereof;
FIG. 19 is a front elevation view thereof;
FIG. 20 is a rear elevation view thereof;
FIG. 21 is a top plan view thereof;
FIG. 22 is a bottom plan view thereof;
FIG. 23 is a perspective view of a fourth piece of the vehicle toy set;
FIG. 24 is a right side elevation view thereof;
FIG. 25 is a left side elevation view thereof;
FIG. 26 is a front elevation view thereof;
FIG. 27 is a rear elevation view thereof;
FIG. 28 is a top plan view thereof;

(Continued)

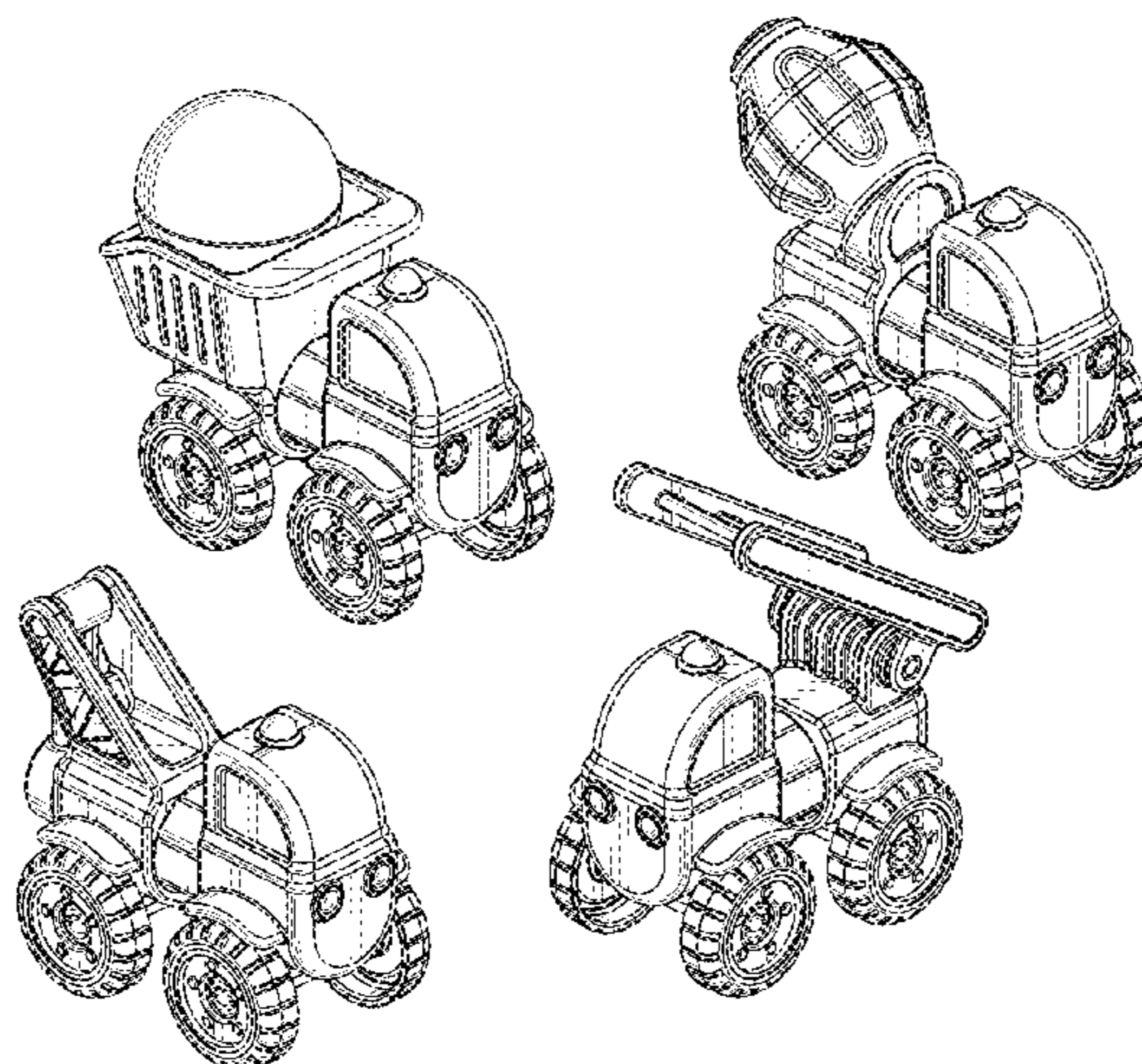


FIG. 29 is a bottom plan view thereof;
 FIG. 30 is a perspective view of a first portion of the first, second, third, and fourth pieces;
 FIG. 31 is a right side elevation view thereof;
 FIG. 32 is a left side elevation view thereof;
 FIG. 33 is a front elevation view thereof;
 FIG. 34 is a rear elevation view thereof;
 FIG. 35 is a top plan view thereof;
 FIG. 36 is a bottom plan view thereof;
 FIG. 37 is a perspective view of a second portion of the first piece;
 FIG. 38 is a right side elevation view thereof;
 FIG. 39 is a left side elevation view thereof;
 FIG. 40 is a front elevation view thereof;
 FIG. 41 is a rear elevation view thereof;
 FIG. 42 is a top plan view thereof;
 FIG. 43 is a bottom plan view thereof;
 FIG. 44 is a perspective view of a third portion of the first piece;
 FIG. 45 is a right side elevation view thereof;
 FIG. 46 is a left side elevation view thereof;
 FIG. 47 is a front elevation view thereof;
 FIG. 48 is a rear elevation view thereof;
 FIG. 49 is a top plan view thereof;
 FIG. 50 is a bottom plan view thereof;
 FIG. 51 is a perspective view of a second portion of the second piece;
 FIG. 52 is a right side elevation view thereof;
 FIG. 53 is a left side elevation view thereof;
 FIG. 54 is a front elevation view thereof;
 FIG. 55 is a rear elevation view thereof;
 FIG. 56 is a top plan view thereof;
 FIG. 57 is a bottom plan view thereof;
 FIG. 58 is a perspective view of a second portion of the third piece;
 FIG. 59 is a right side elevation view thereof;
 FIG. 60 is a left side elevation view thereof;
 FIG. 61 is a front elevation view thereof;
 FIG. 62 is a rear elevation view thereof;
 FIG. 63 is a top plan view thereof;
 FIG. 64 is a bottom plan view thereof;
 FIG. 65 is a perspective view of a second portion of the fourth piece;
 FIG. 66 is a right side elevation view thereof;
 FIG. 67 is a left side elevation view thereof;
 FIG. 68 is a front elevation view thereof;
 FIG. 69 is a rear elevation view thereof;
 FIG. 70 is a top plan view thereof;
 FIG. 71 is a bottom plan view thereof; and,
 FIG. 72 is a perspective view of the second, third, and fourth piece of the vehicle toy set and a left side view of the first piece with the third portion of the first piece detached.

The claim is directed to the collective appearance of the vehicle toy set shown in FIGS. 1-72. The broken lines in the drawings depict portions of the vehicle toy set that form no part of the claimed design.

1 Claim, 46 Drawing Sheets

(58) **Field of Classification Search**

USPC D21/549, 550–554, 556–562; D12/12, D12/19, 82, 83, 84, 85, 86, 87, 88, 90, D12/91, 93, 163, 167
 CPC A63H 17/00; A63H 17/002; A63H 17/08; A63H 17/10; A63H 17/12; A63H 7/00; A63H 7/02; A63H 7/04; A63H 7/06
 See application file for complete search history.

(56) **References Cited**

U.S. PATENT DOCUMENTS

D208,095	S	*	7/1967	Ostrander, Jr.	D21/554
D210,842	S	*	4/1968	Genin	D21/553
D211,808	S	*	7/1968	Genin	D21/556
D222,868	S	*	1/1972	Gelford et al.	D21/553
D226,013	S	*	1/1973	Ogasawara	D21/553
D226,014	S	*	1/1973	Ogasawara	D21/556
D227,283	S	*	6/1973	Ogasawara	D21/554
D230,415	S	*	2/1974	Salmon et al.	D21/554
D245,530	S	*	8/1977	Ferguson	D21/553
D251,750	S	*	5/1979	Shigenori	D21/553
D252,892	S	*	9/1979	Shigenori	D21/554
D258,972	S	*	4/1981	Samuels	D21/554
D258,974	S	*	4/1981	Samuels	D21/556
D271,315	S	*	11/1983	Nottingham	D21/431
D390,891	S	*	2/1998	Xu	D21/553
D416,951	S	*	11/1999	Wei	D21/553
D416,952	S	*	11/1999	Wei	D21/554
D419,619	S	*	1/2000	Wei	D21/556
D425,142	S	*	5/2000	Wei	D21/552
D445,844	S	*	7/2001	Tse	D21/554
D682,950	S	*	5/2013	Johansson	D21/495
D868,173	S	*	11/2019	Chen	D12/83
D868,174	S	*	11/2019	Chen	D12/83
D871,513	S	*	12/2019	Chen	D12/83
D928,245	S	*	8/2021	Zhang	D21/553
D931,950	S	*	9/2021	Chen	D12/94

FOREIGN PATENT DOCUMENTS

WO	D085327-028	*	1/2015
WO	D085327-030	*	1/2015

OTHER PUBLICATIONS

“6 Pieces Construction Vehicle Toy Trucks Set,” Aug. 23, 2019, amazon.ca, site visited Jan. 27, 2022, URL: <https://www.amazon.ca/Pieces-Construction-Vehicle-Toy-Trucks/dp/B07VN7FH48/> (Year: 2019).*

“Construction Site | Tender Leaf Toys,” May 23, 2019, youtube.com, site visited Jan. 27, 2022, URL: <https://www.youtube.com/watch?v=noUEZNPbBuo> (Year: 2019).*

* cited by examiner

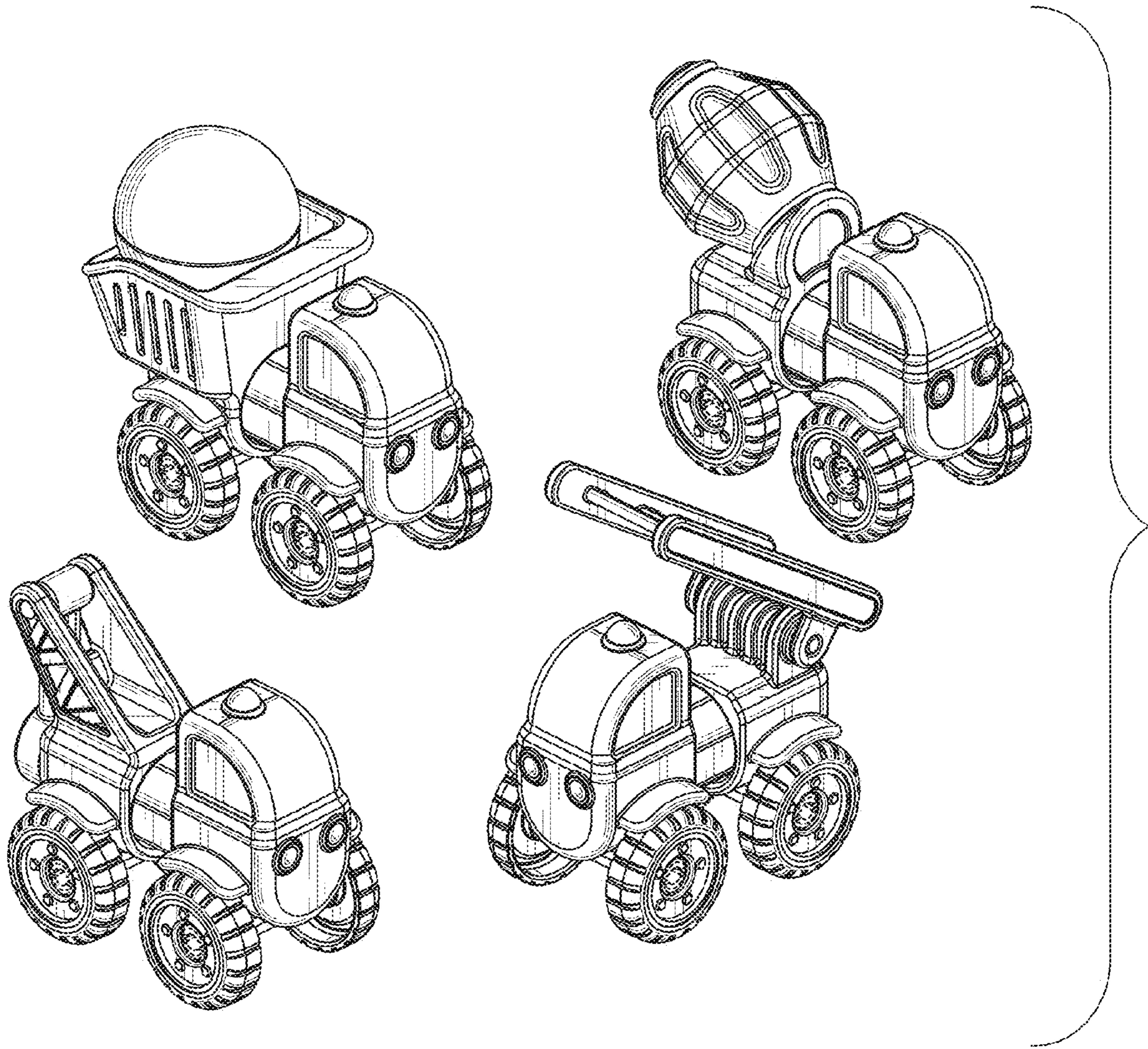


FIG. 1

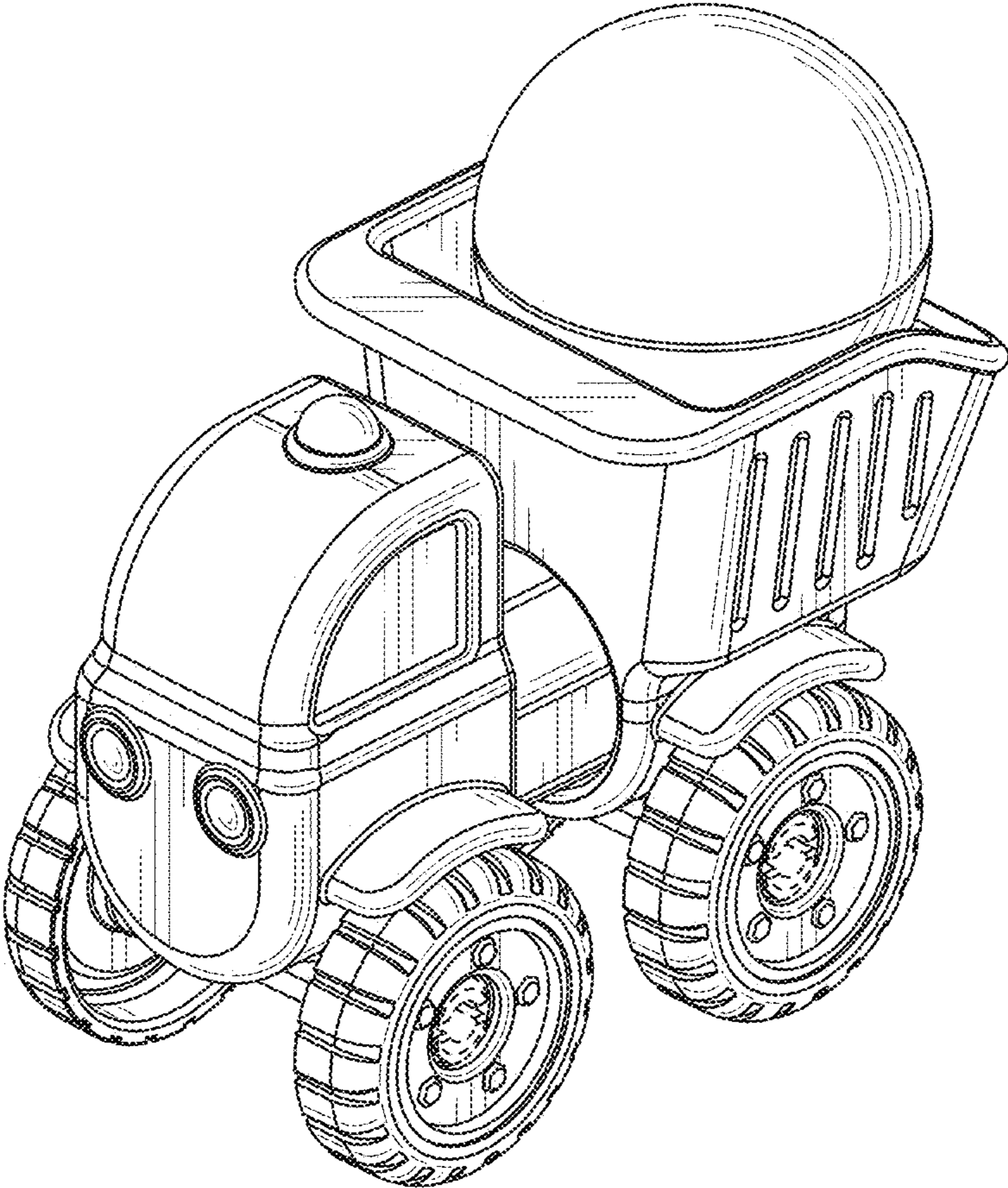


FIG. 2

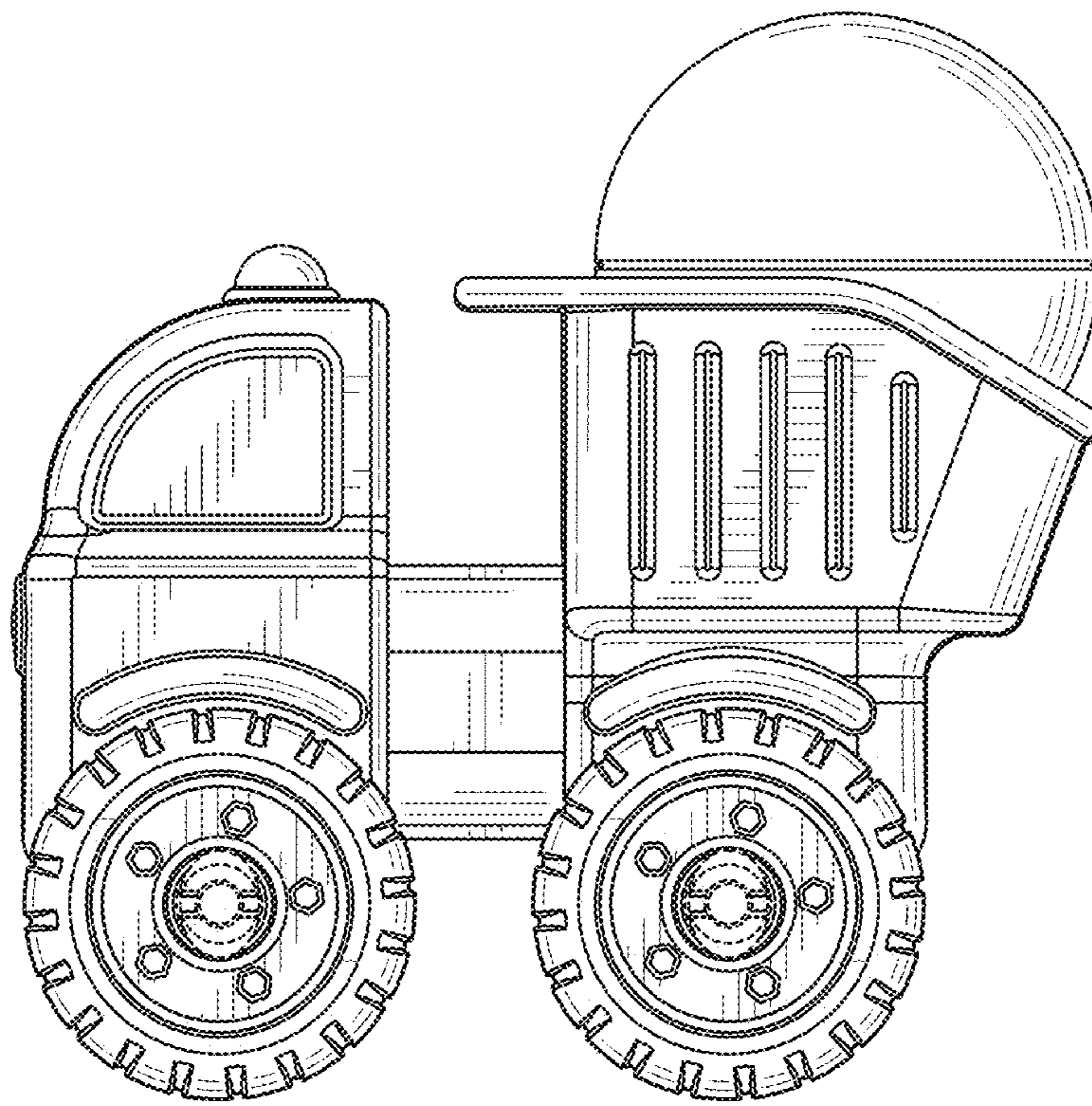


FIG. 3

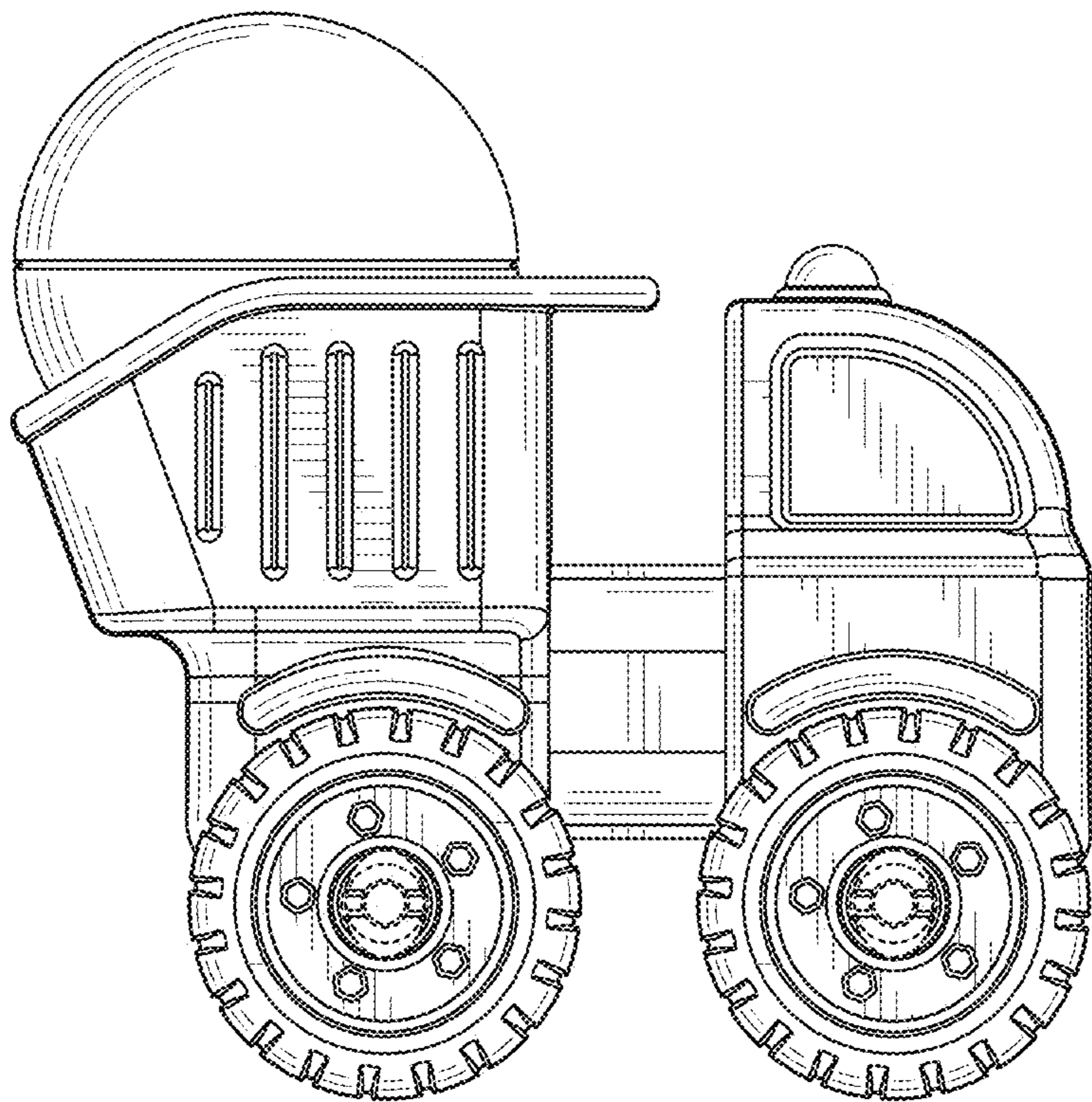


FIG. 4

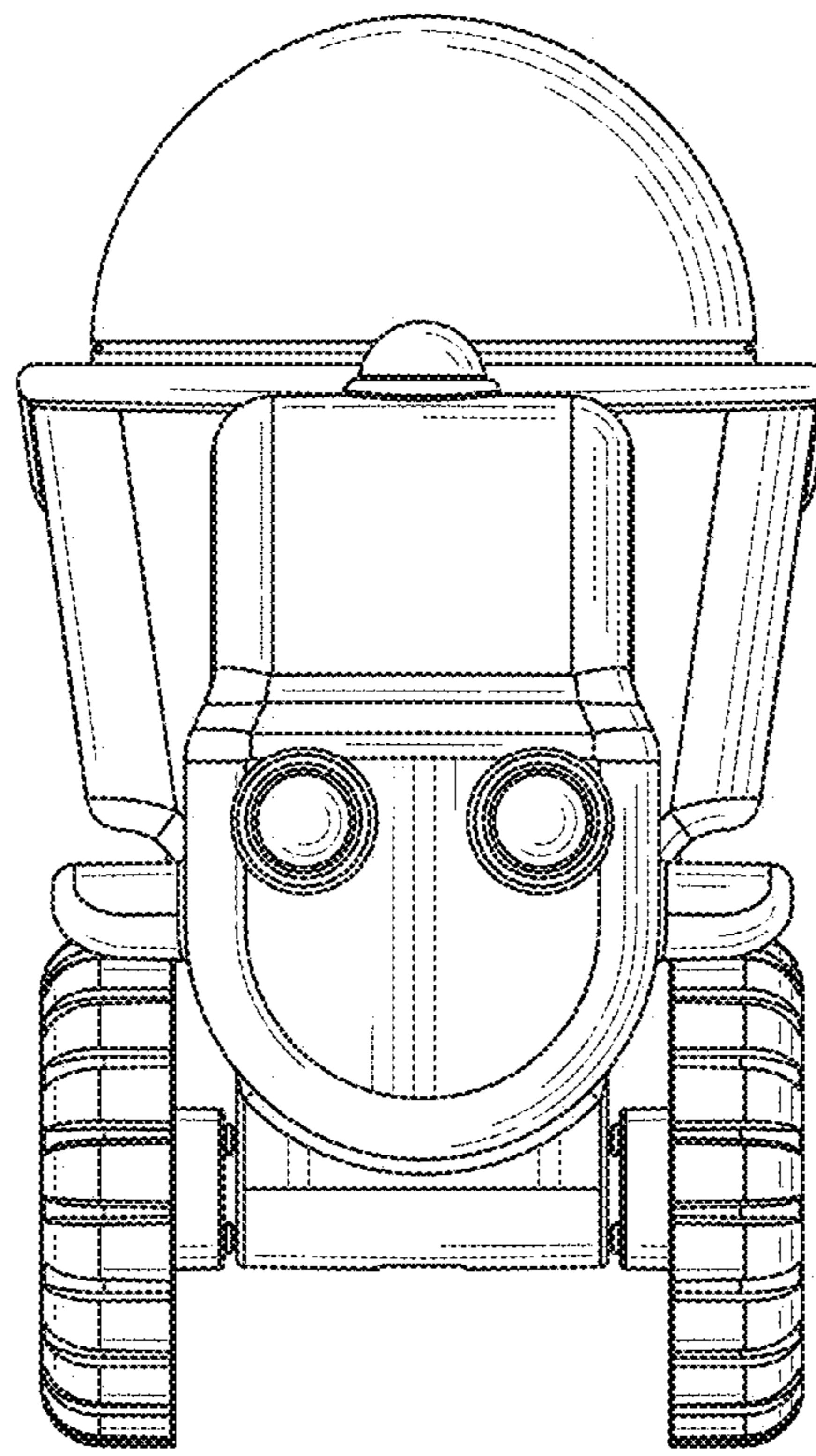


FIG. 5

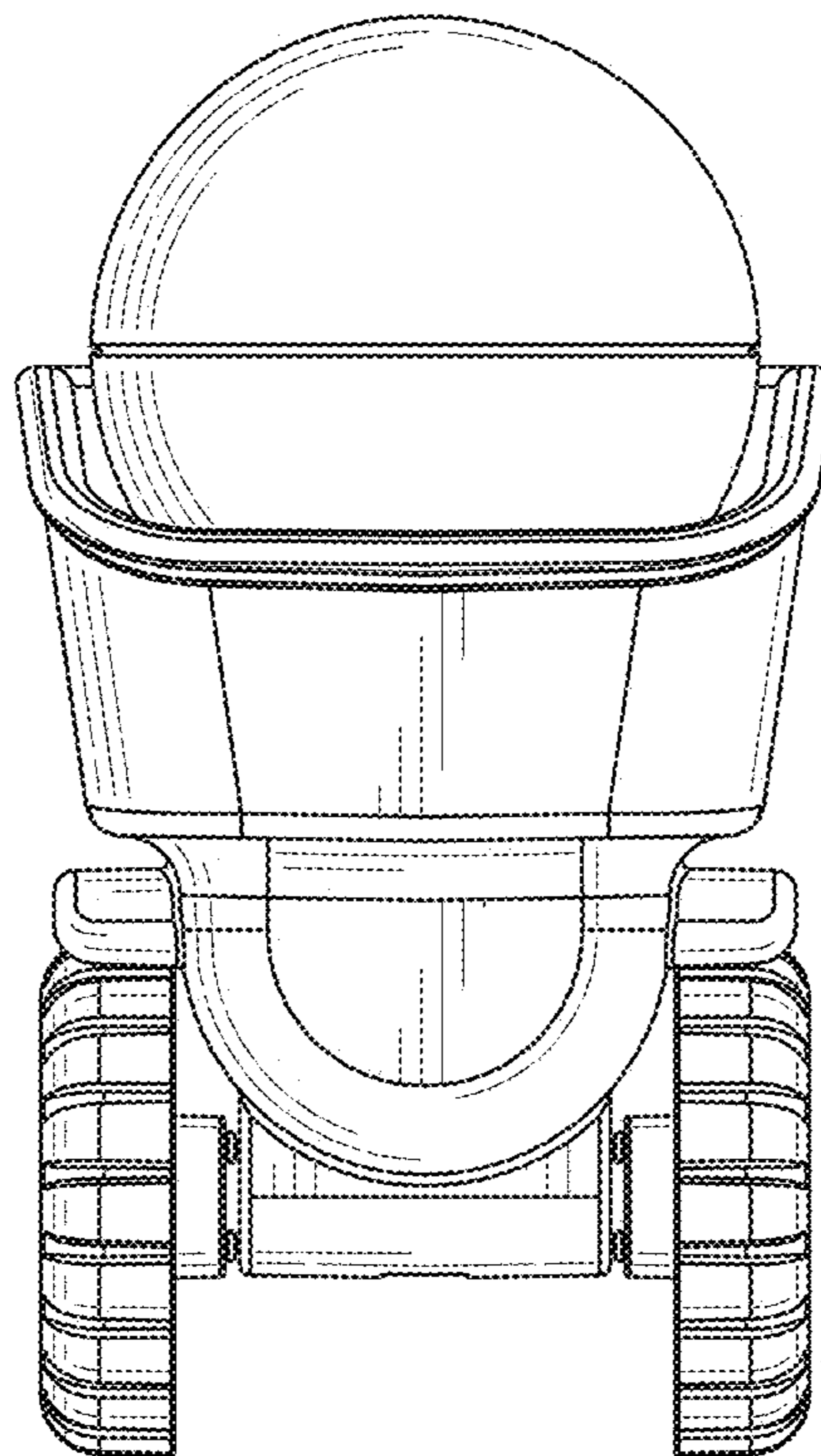


FIG. 6

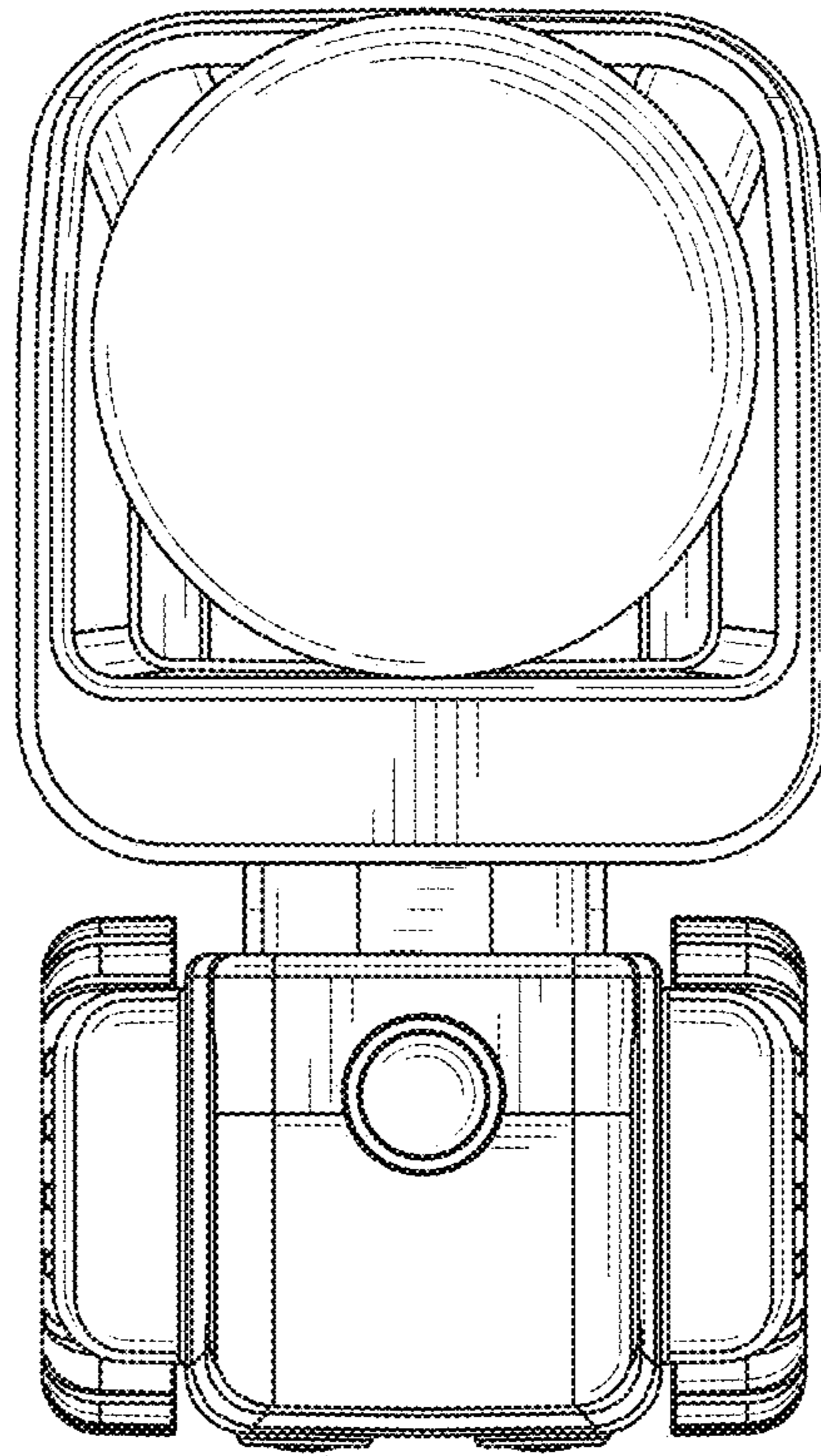


FIG. 7

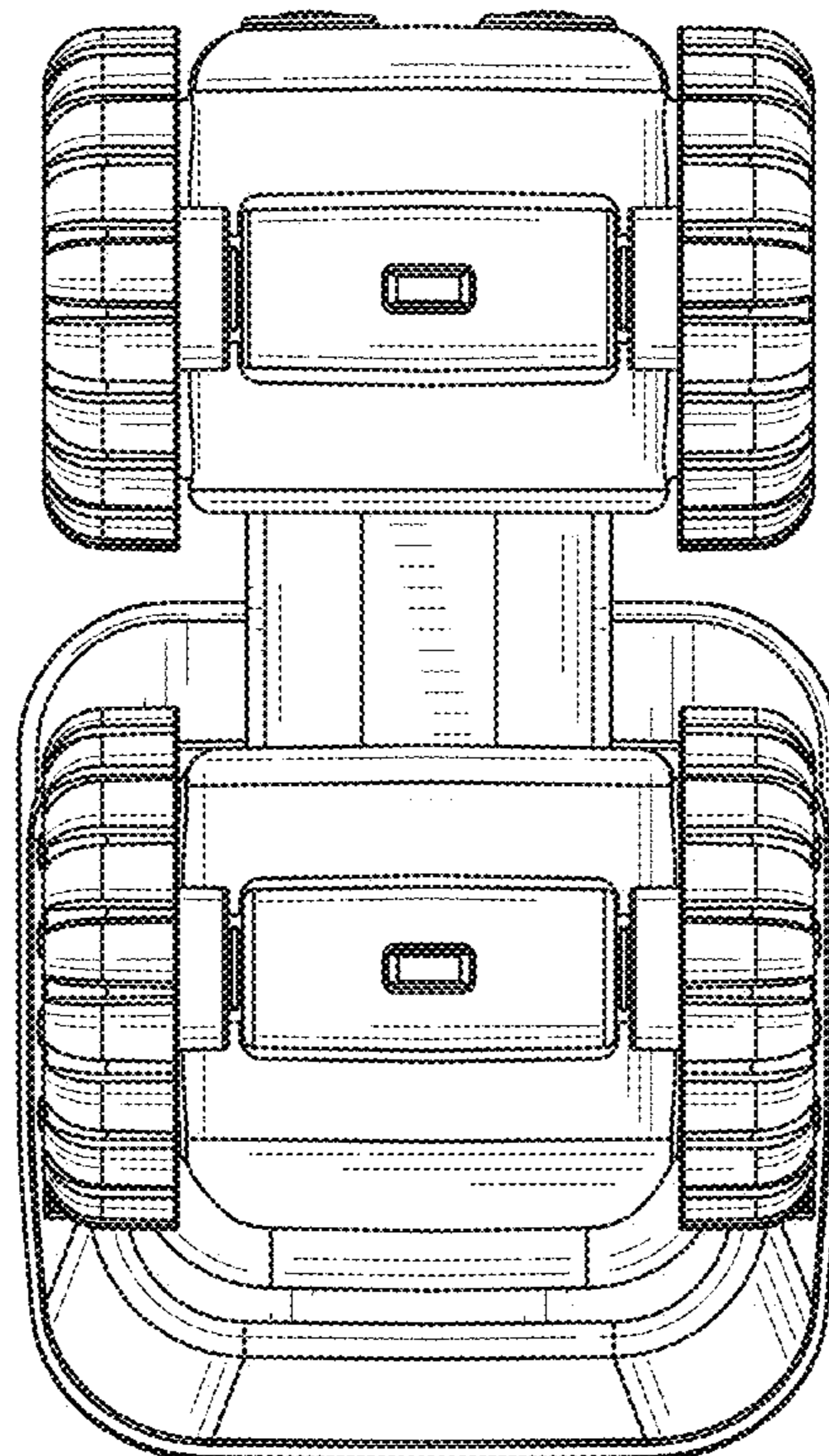


FIG. 8

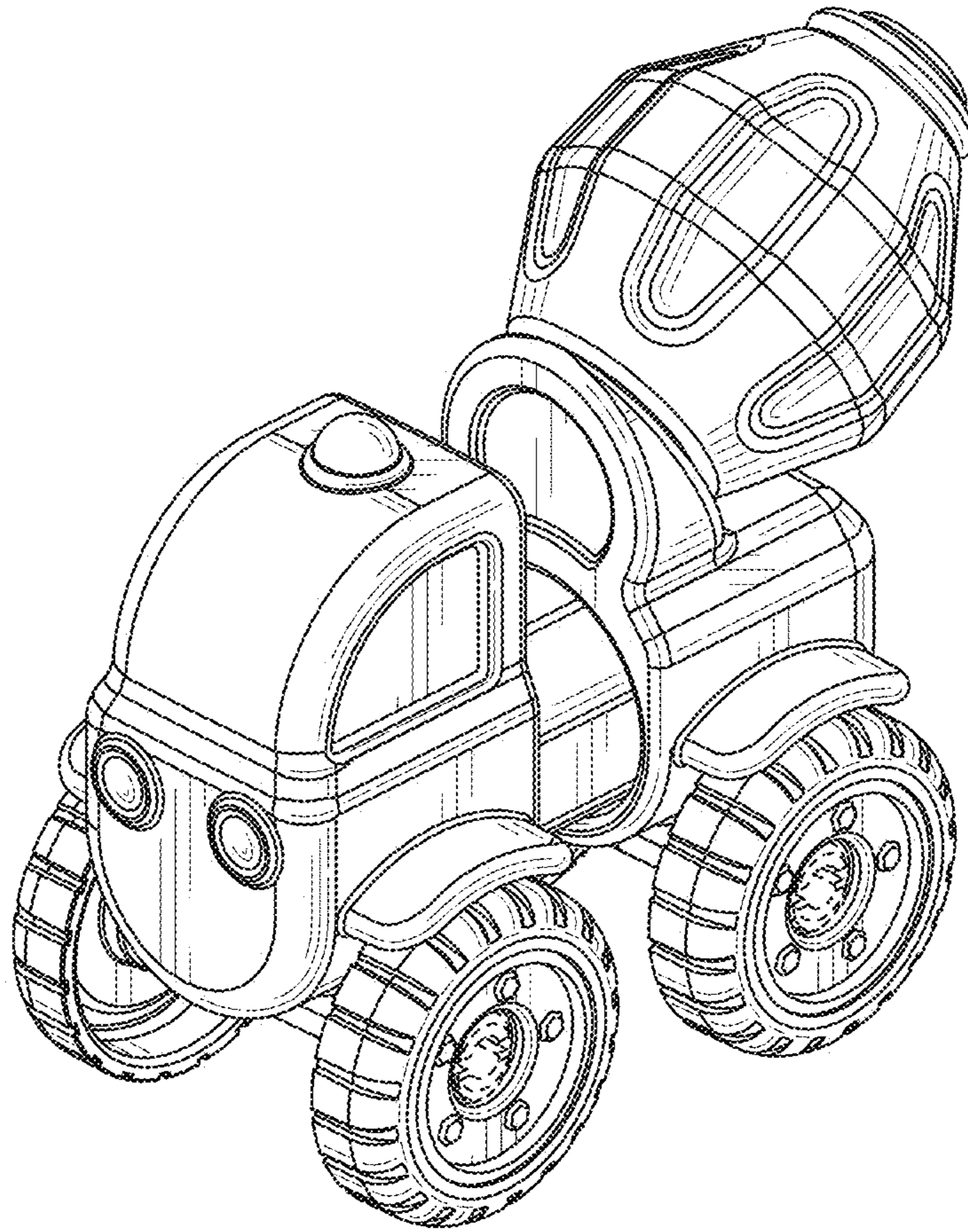


FIG. 9

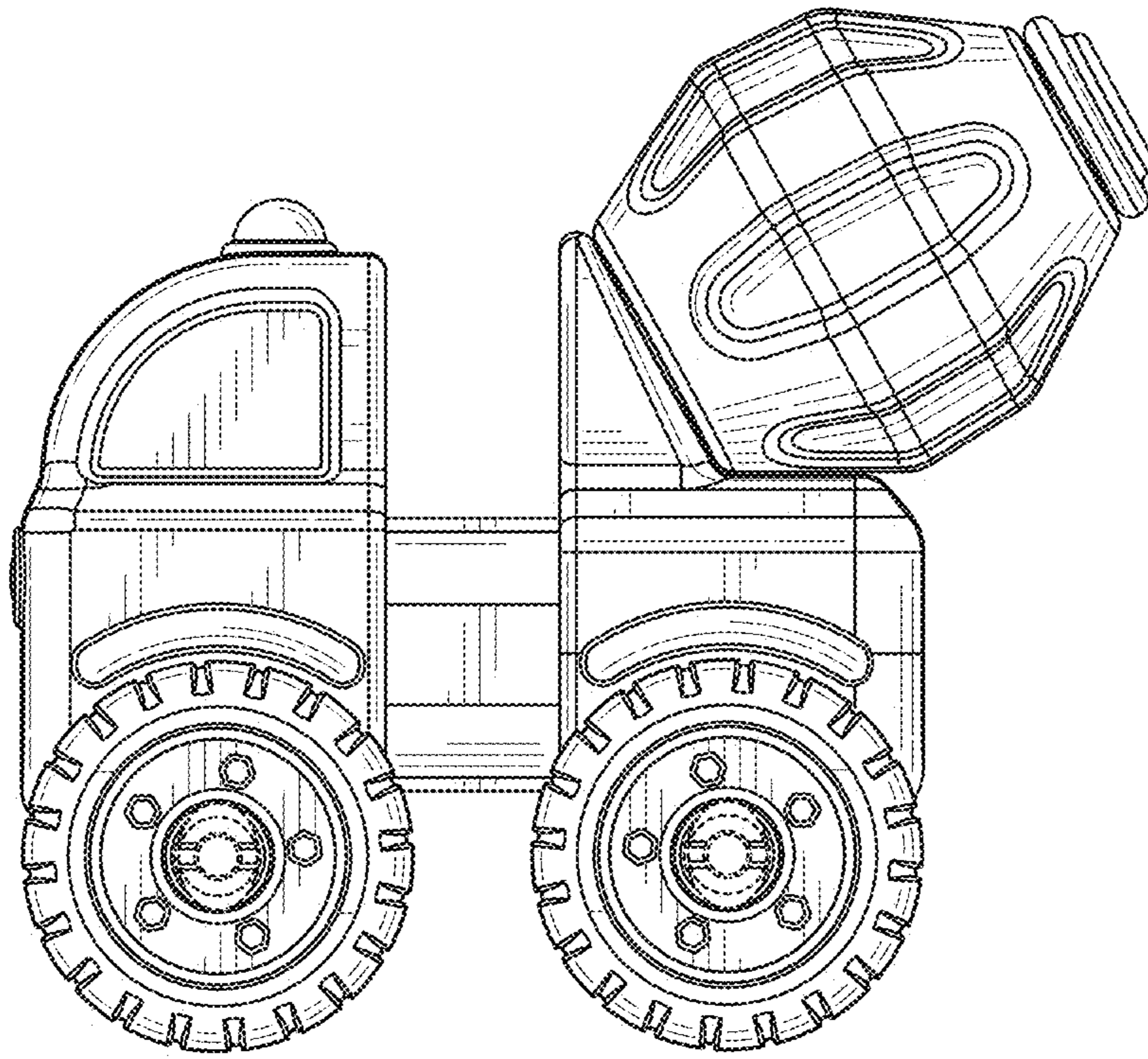


FIG. 10

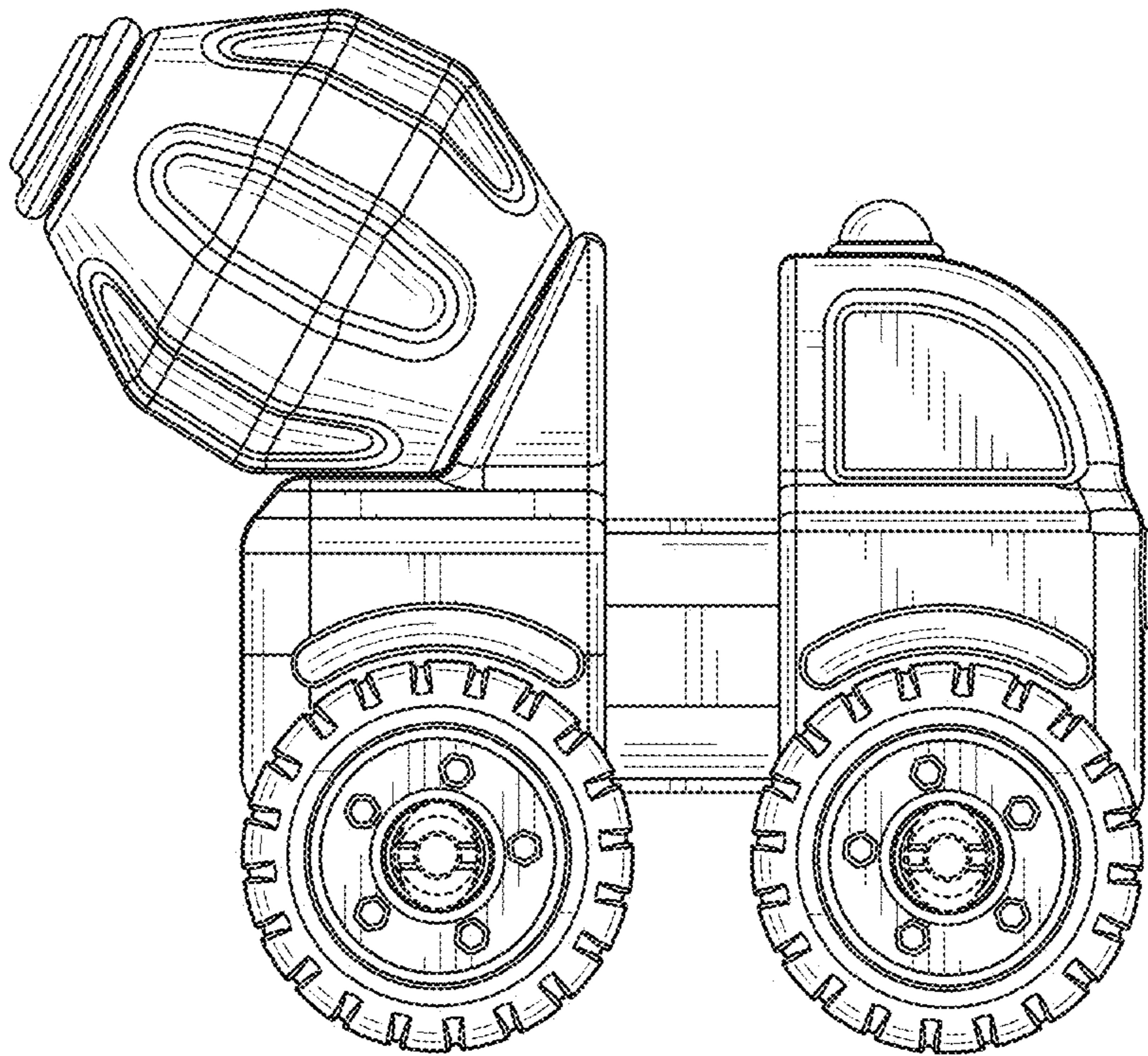


FIG. 11

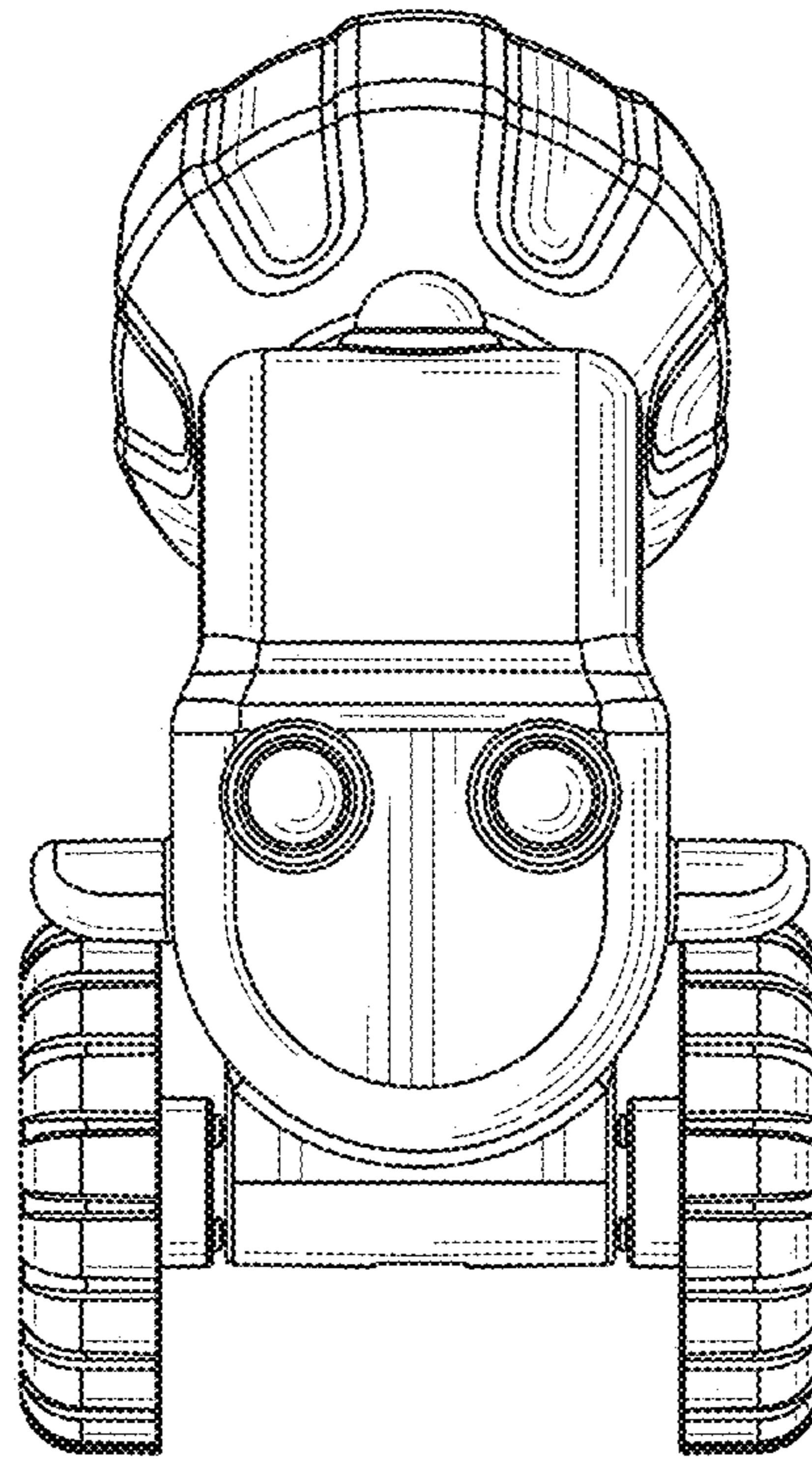


FIG. 12

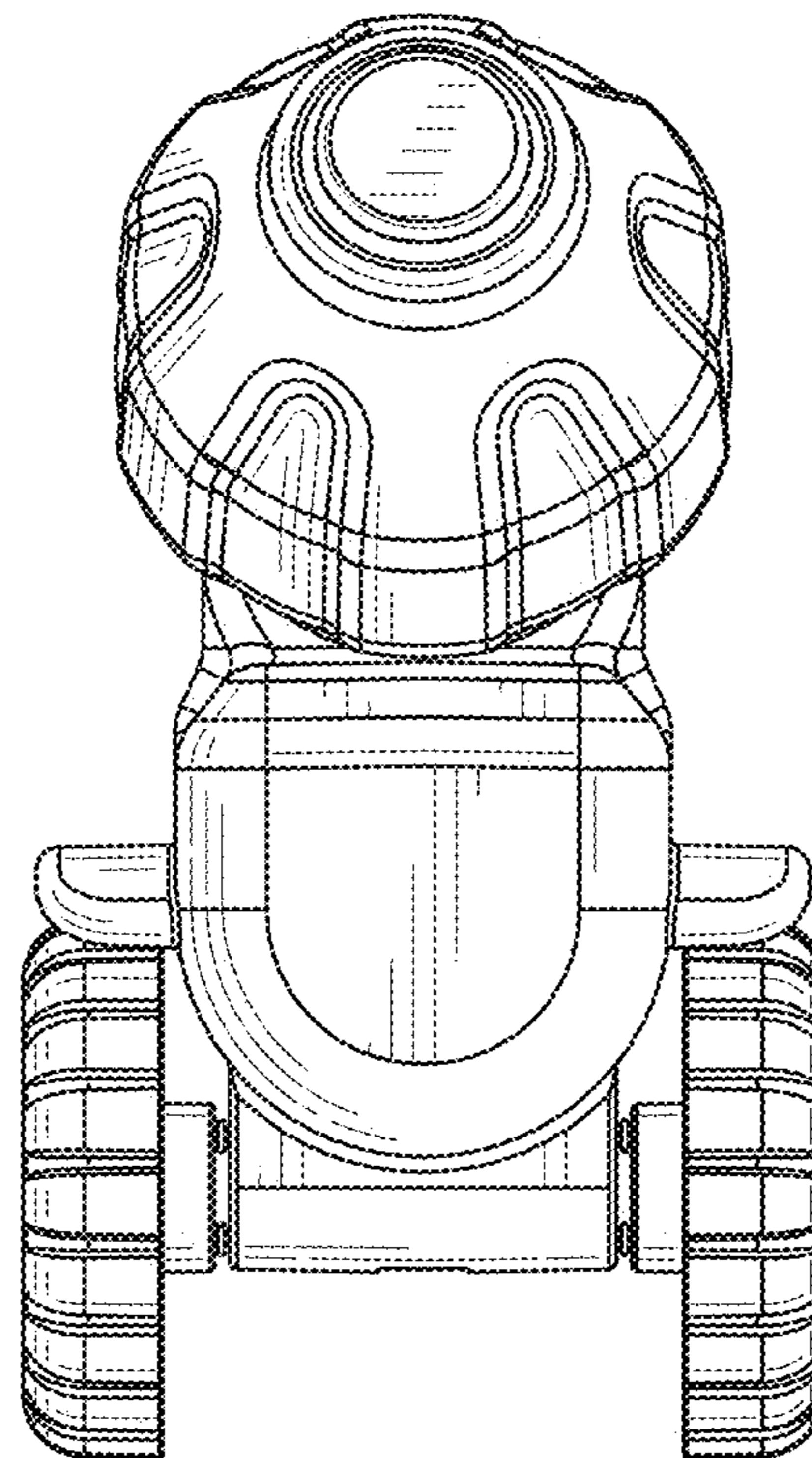


FIG. 13

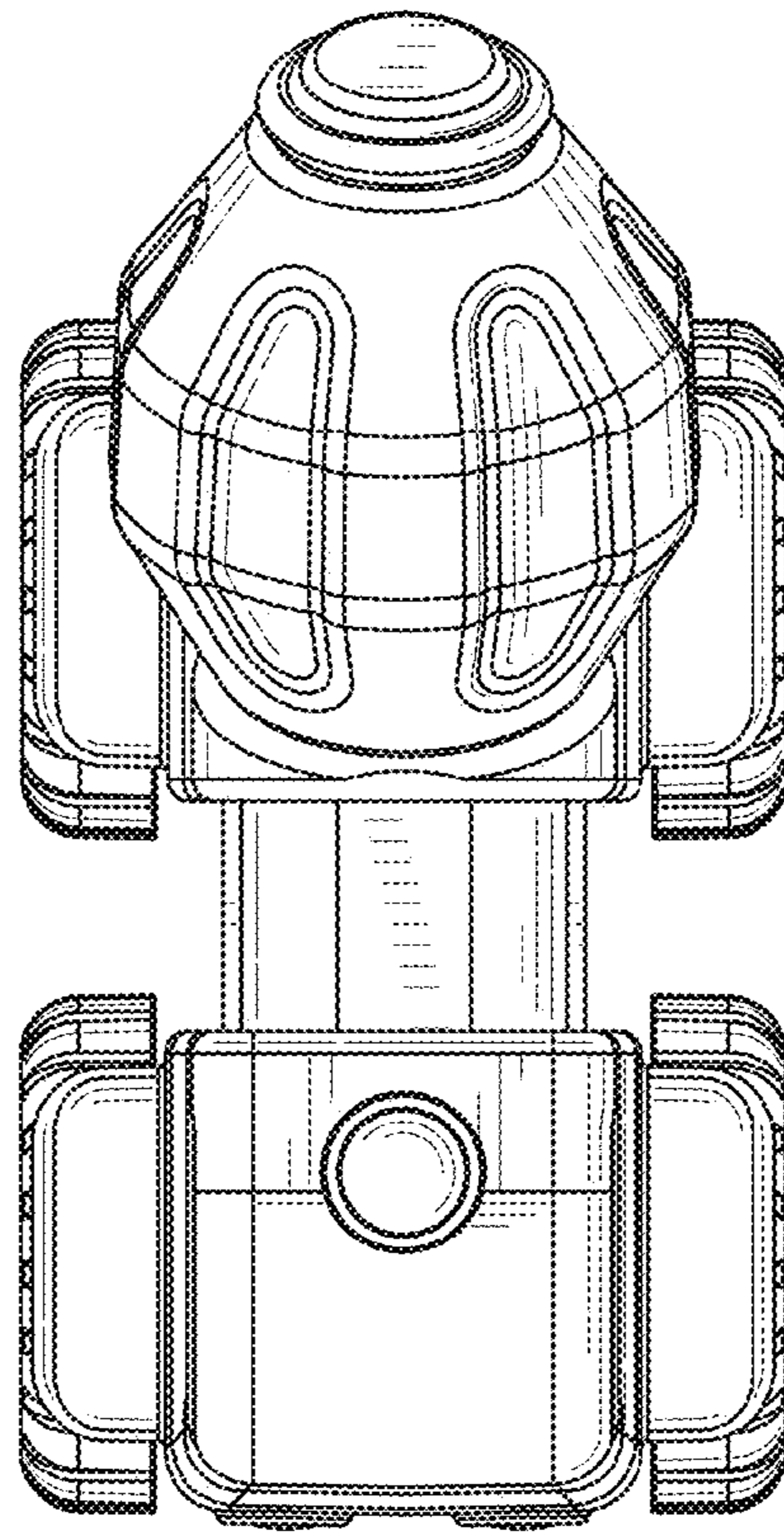


FIG. 14

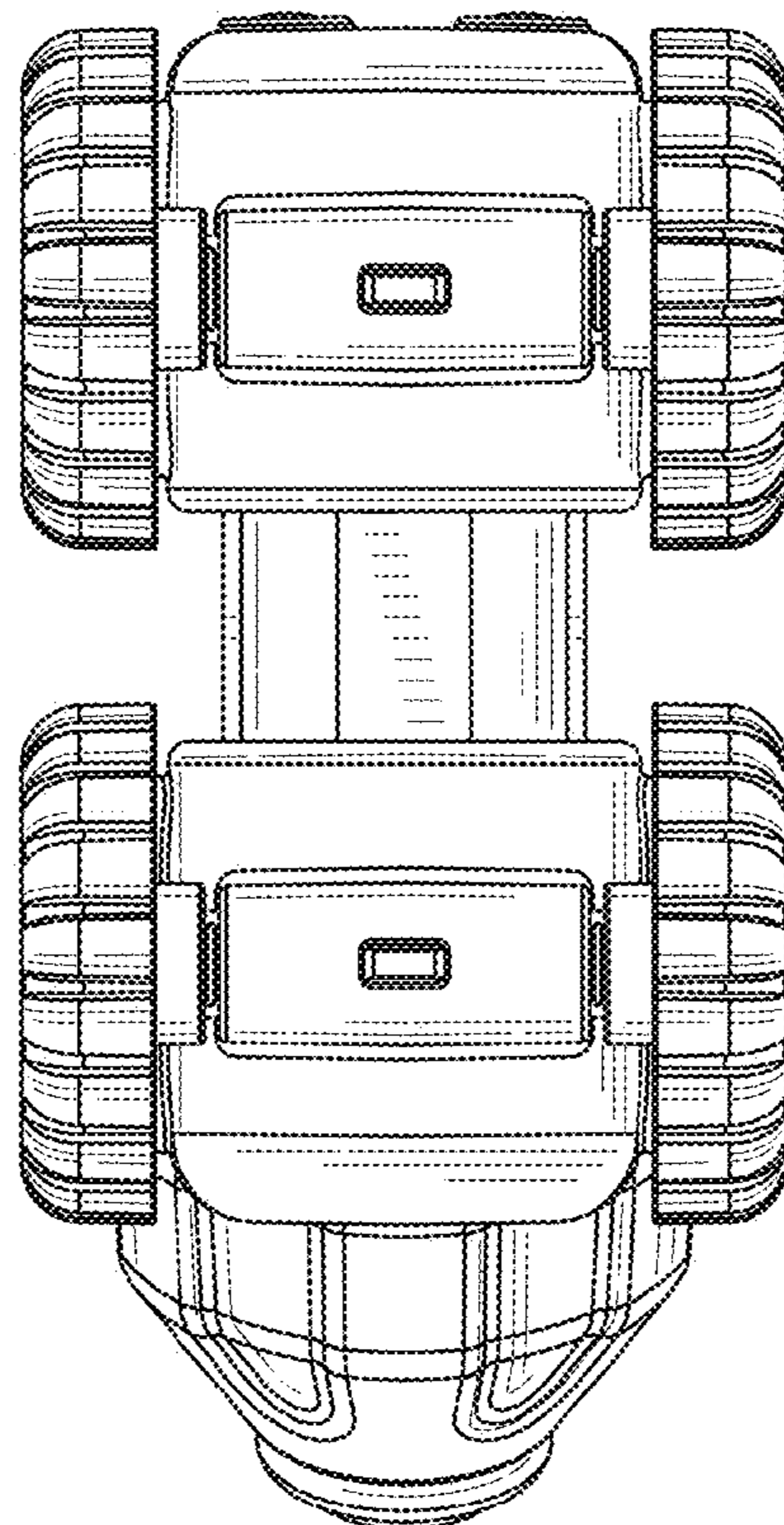


FIG. 15

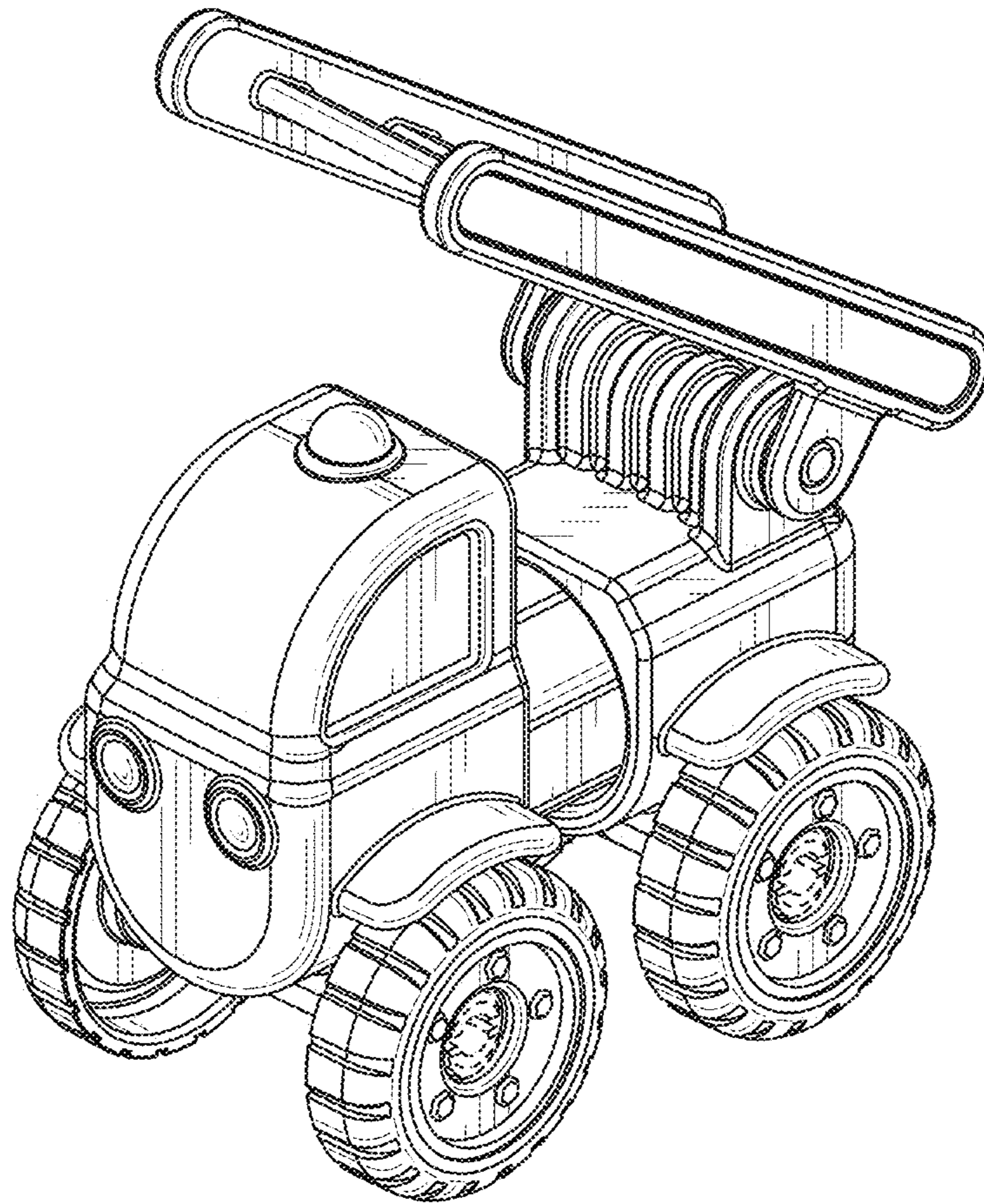


FIG. 16

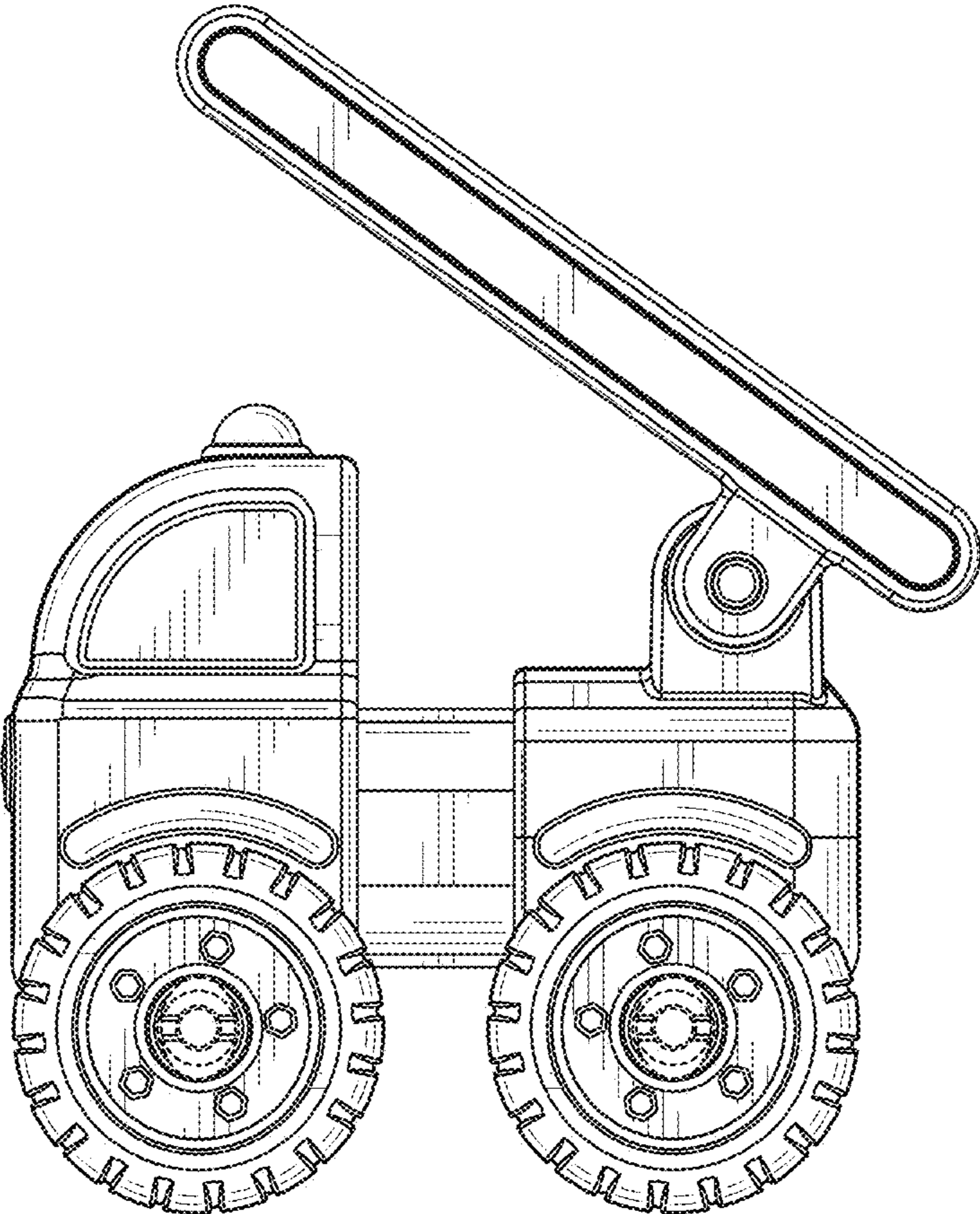


FIG. 17

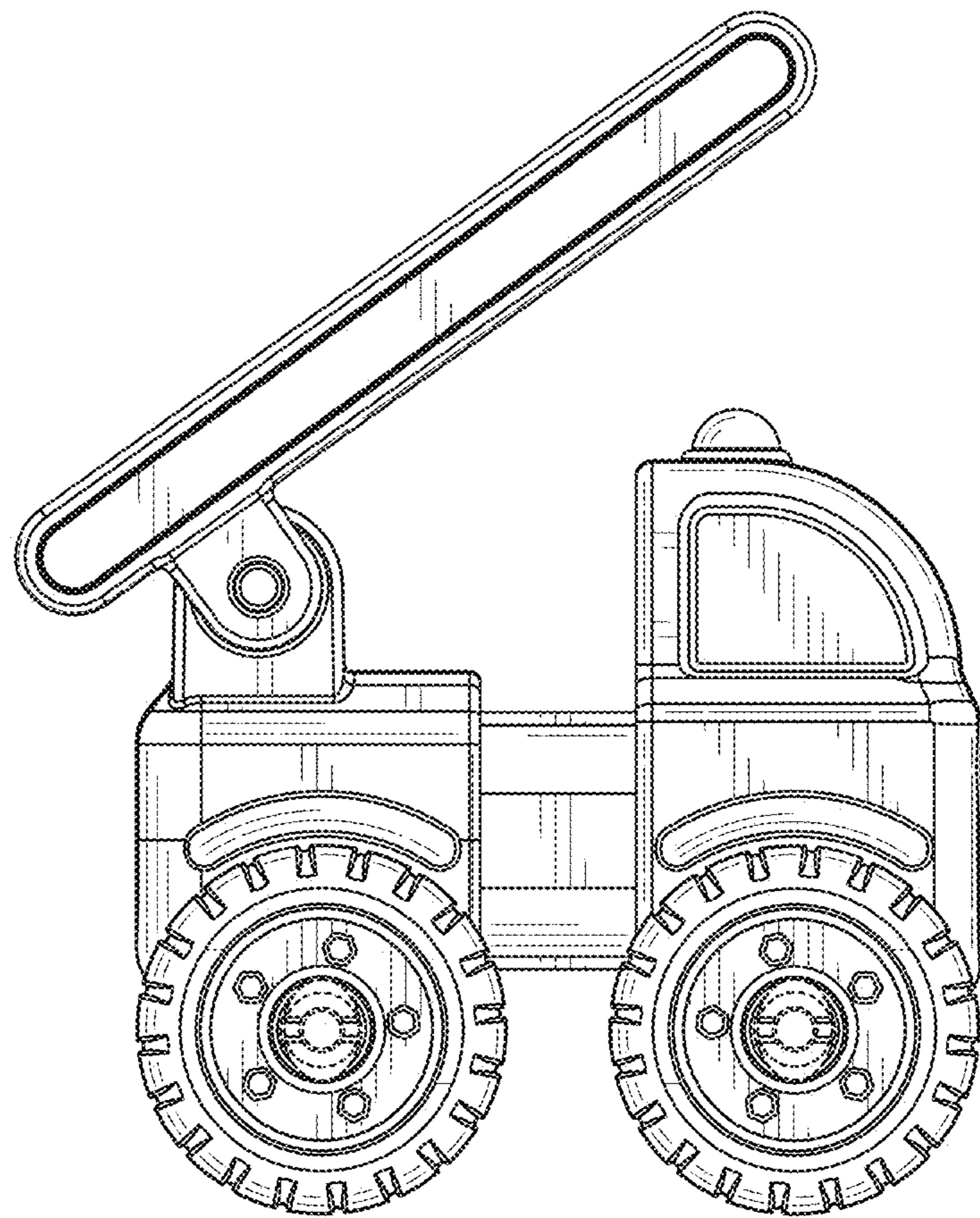


FIG. 18

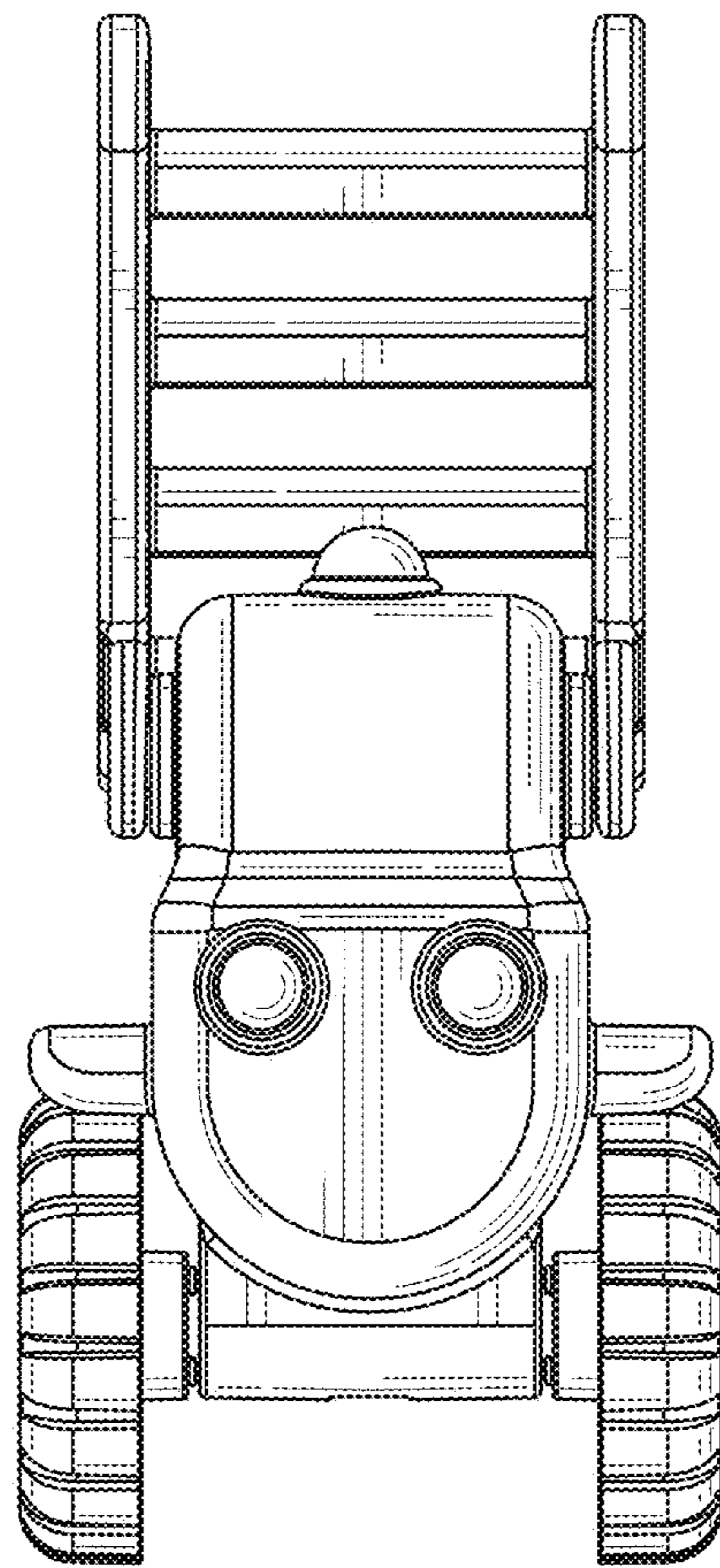


FIG. 19

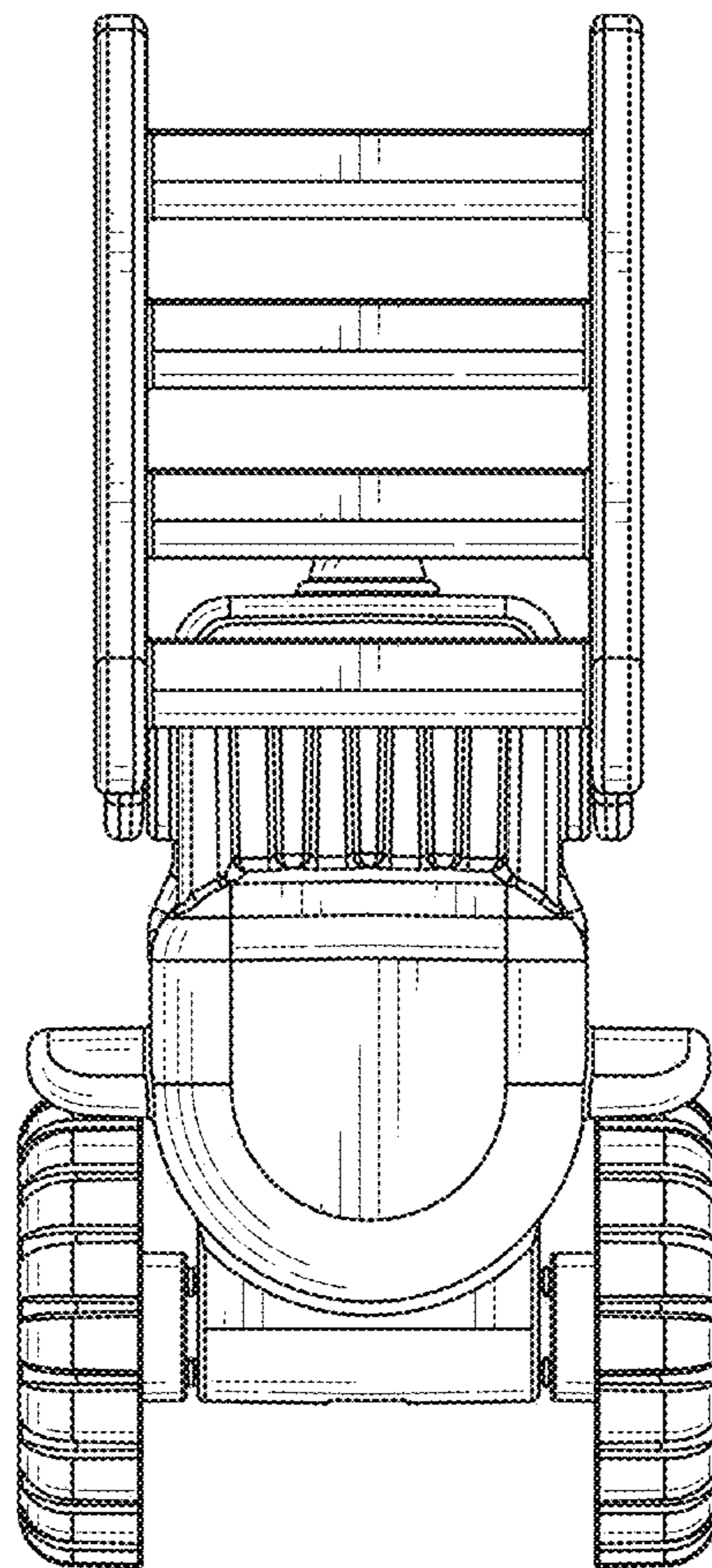


FIG. 20

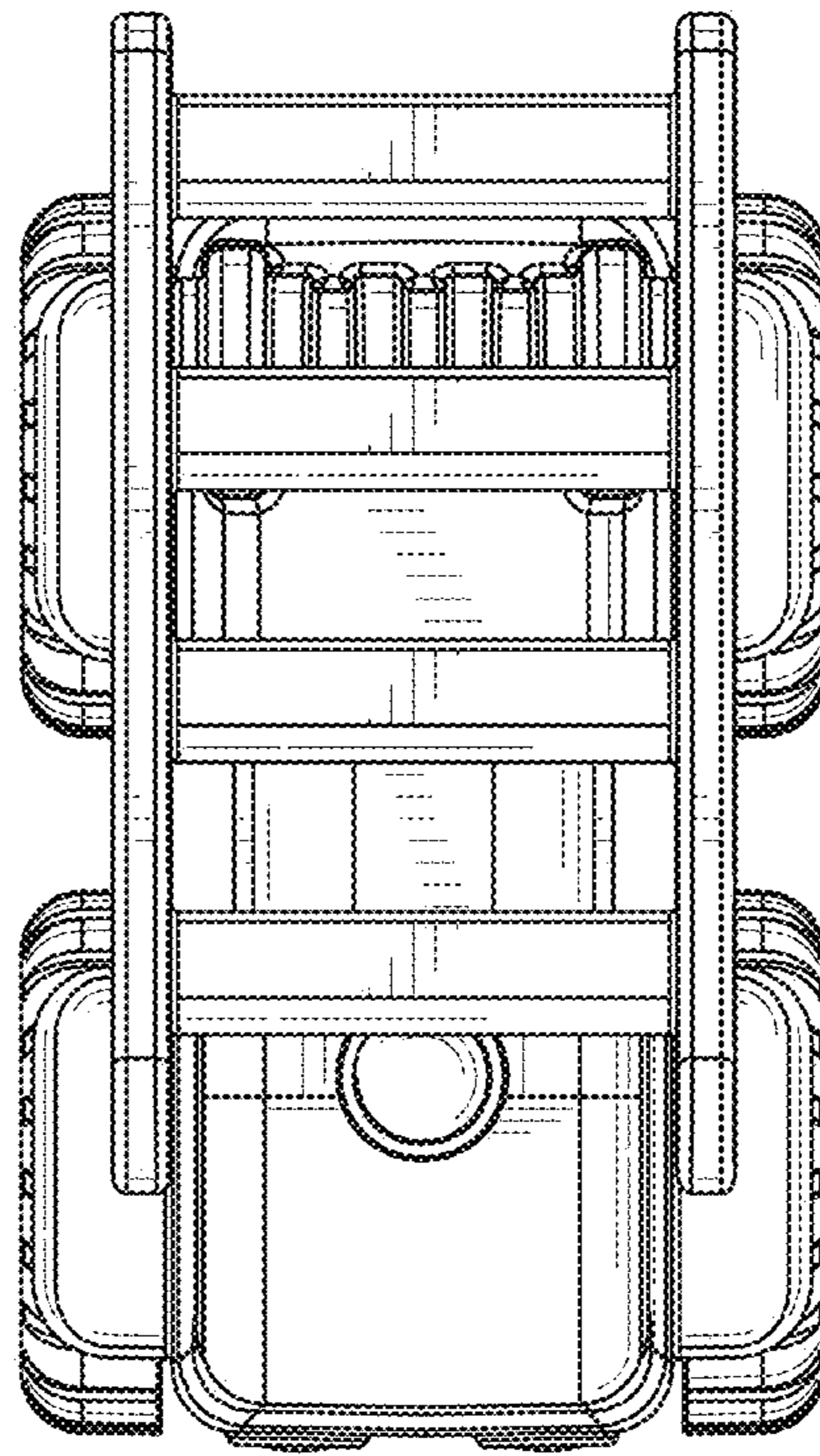


FIG. 21

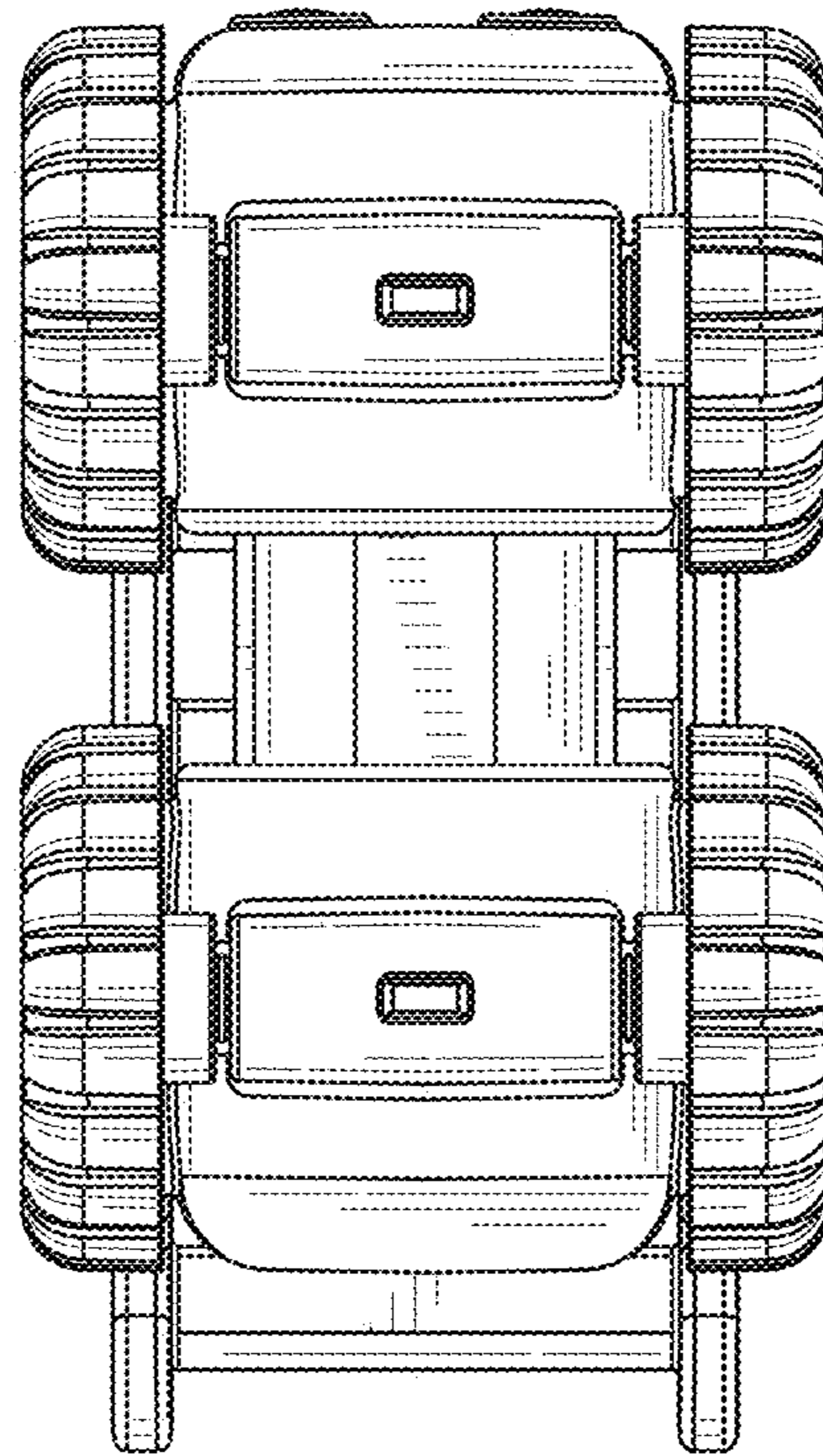


FIG. 22

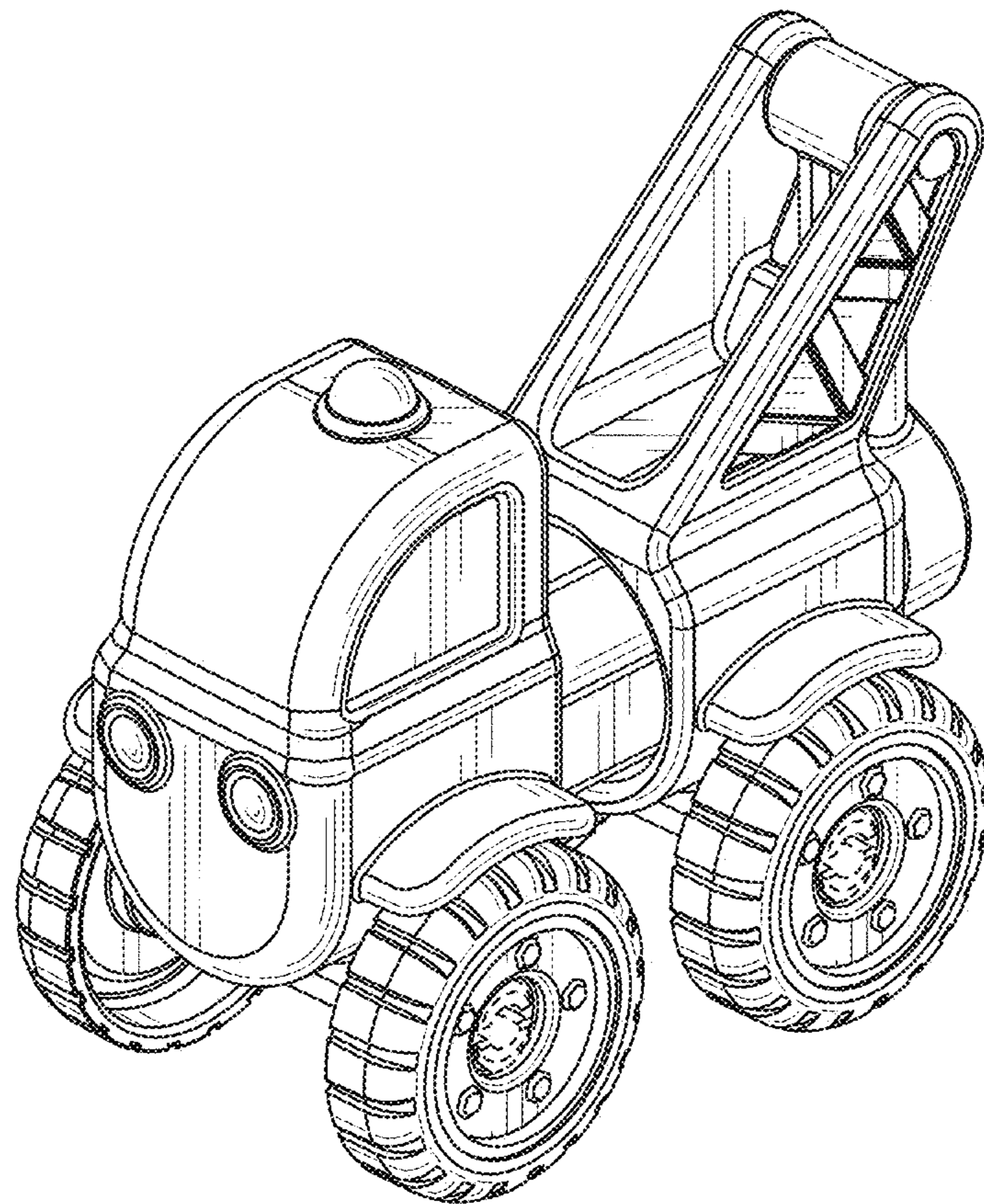


FIG. 23

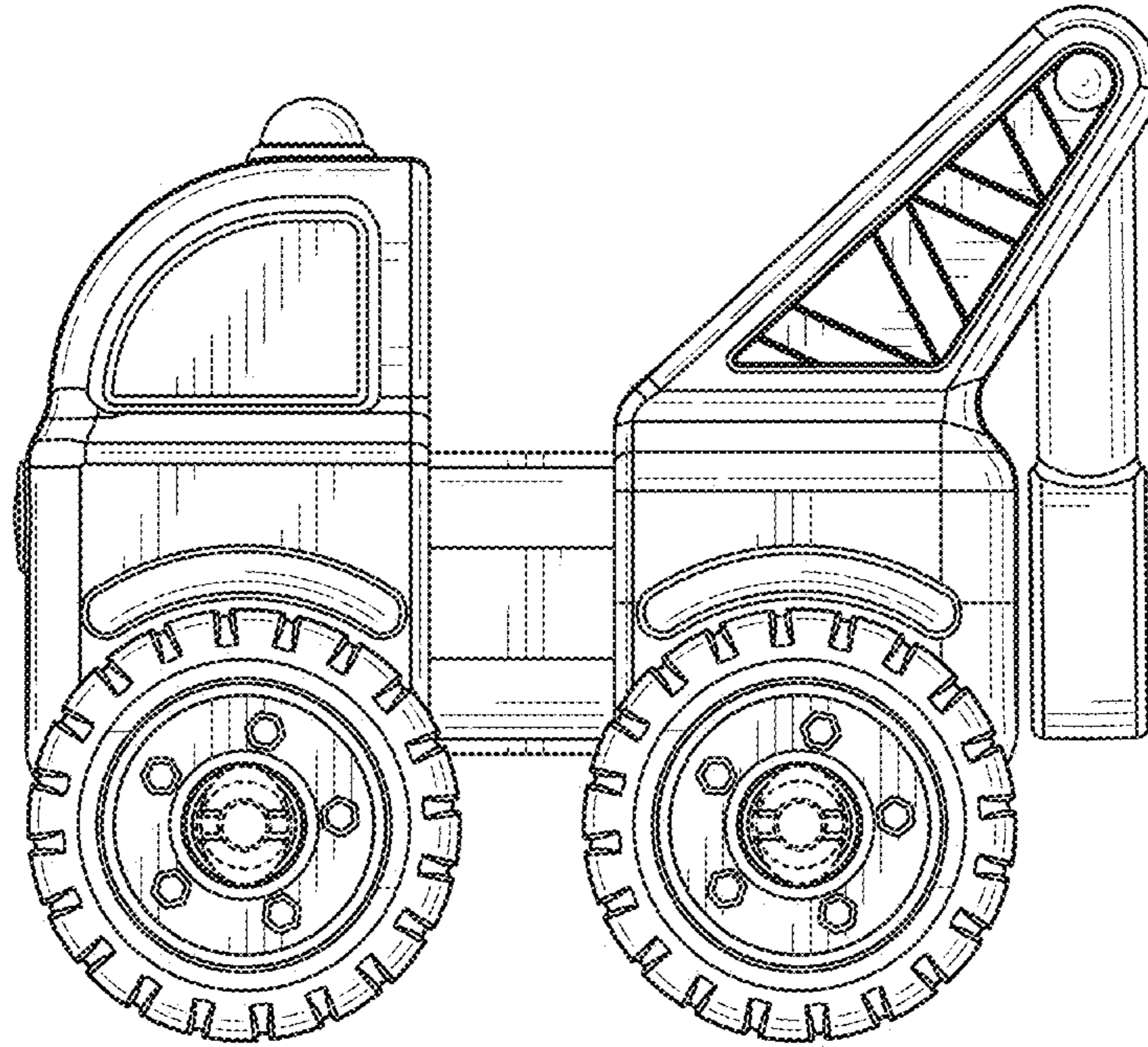


FIG. 24

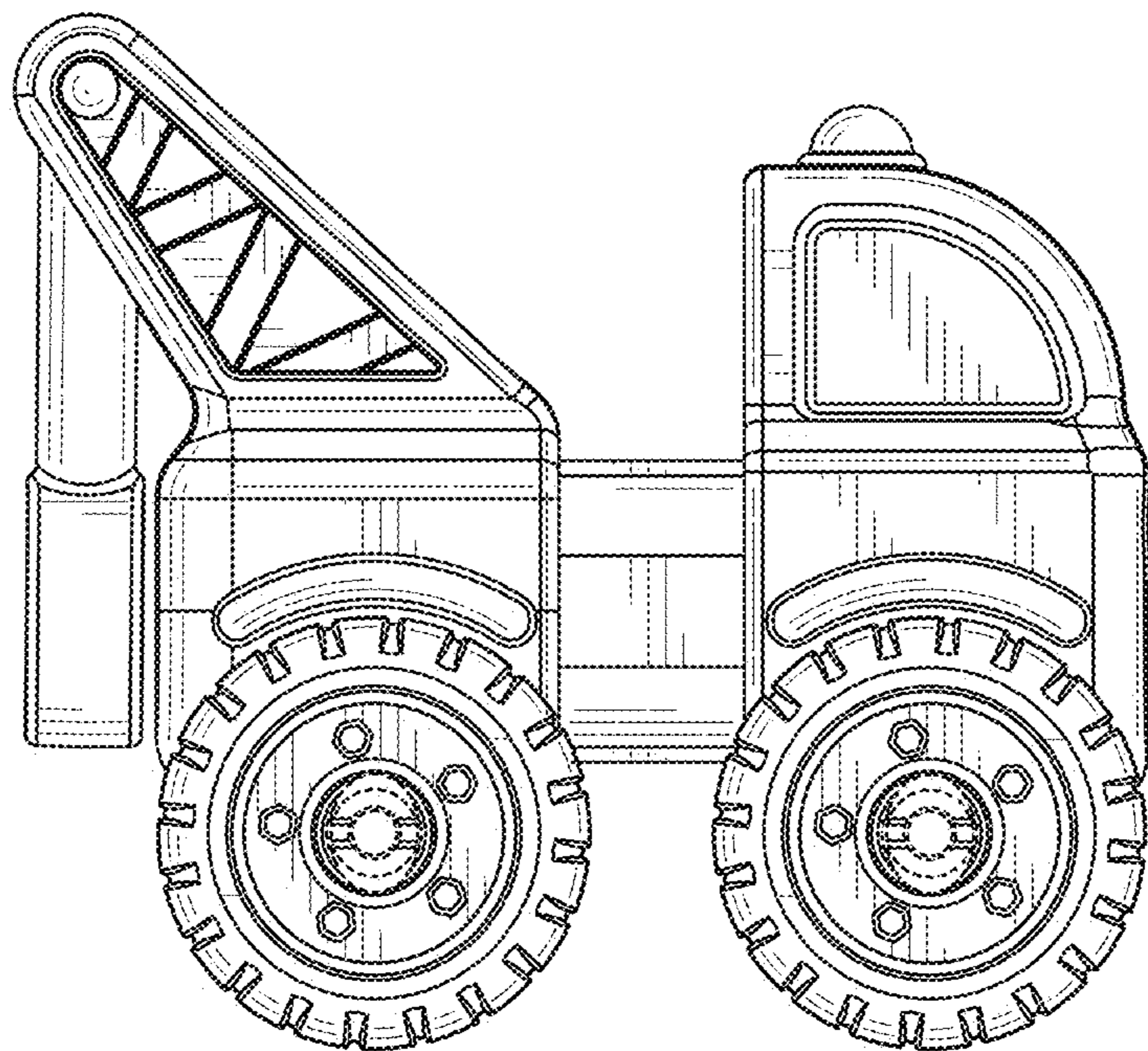


FIG. 25

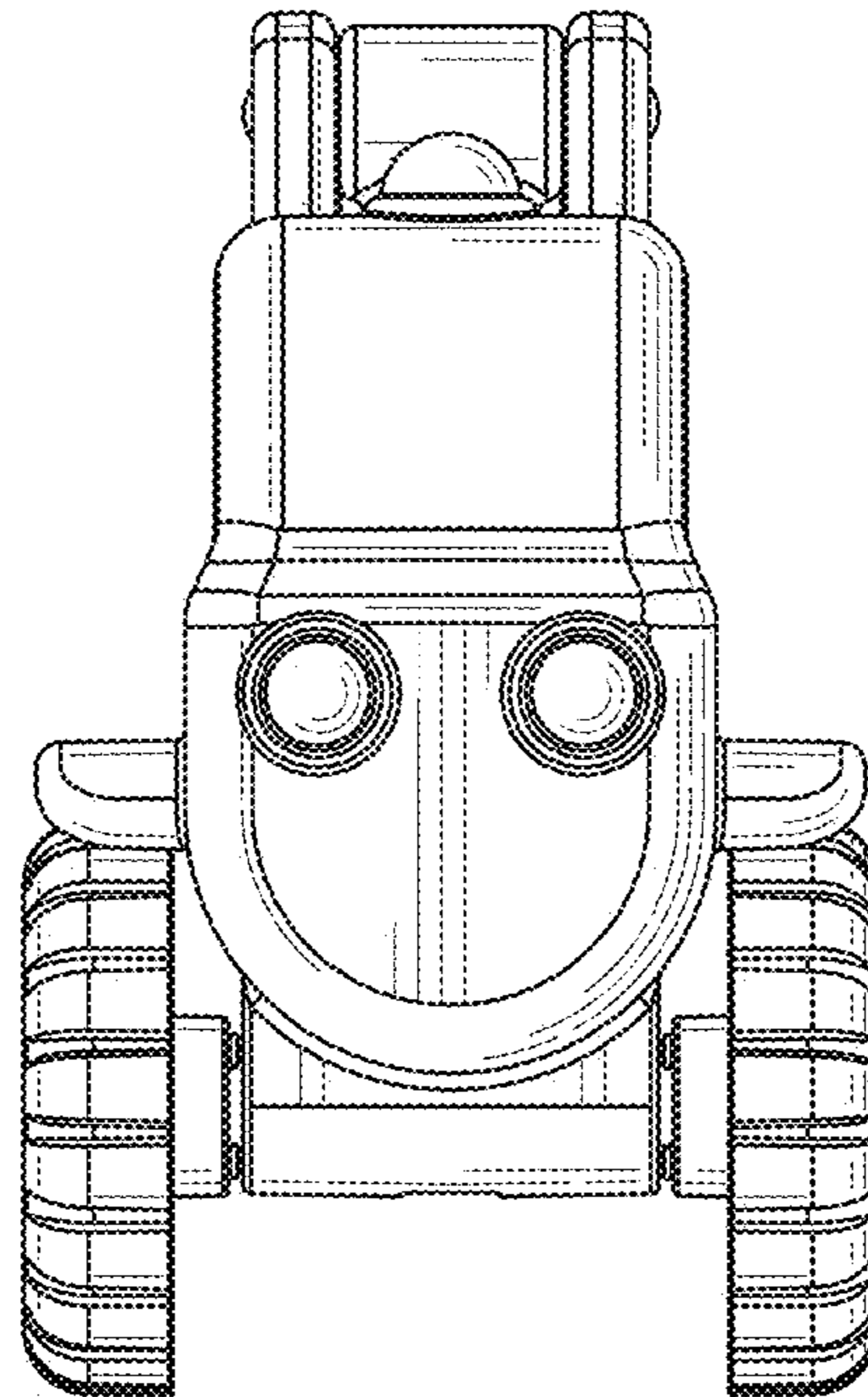


FIG. 26

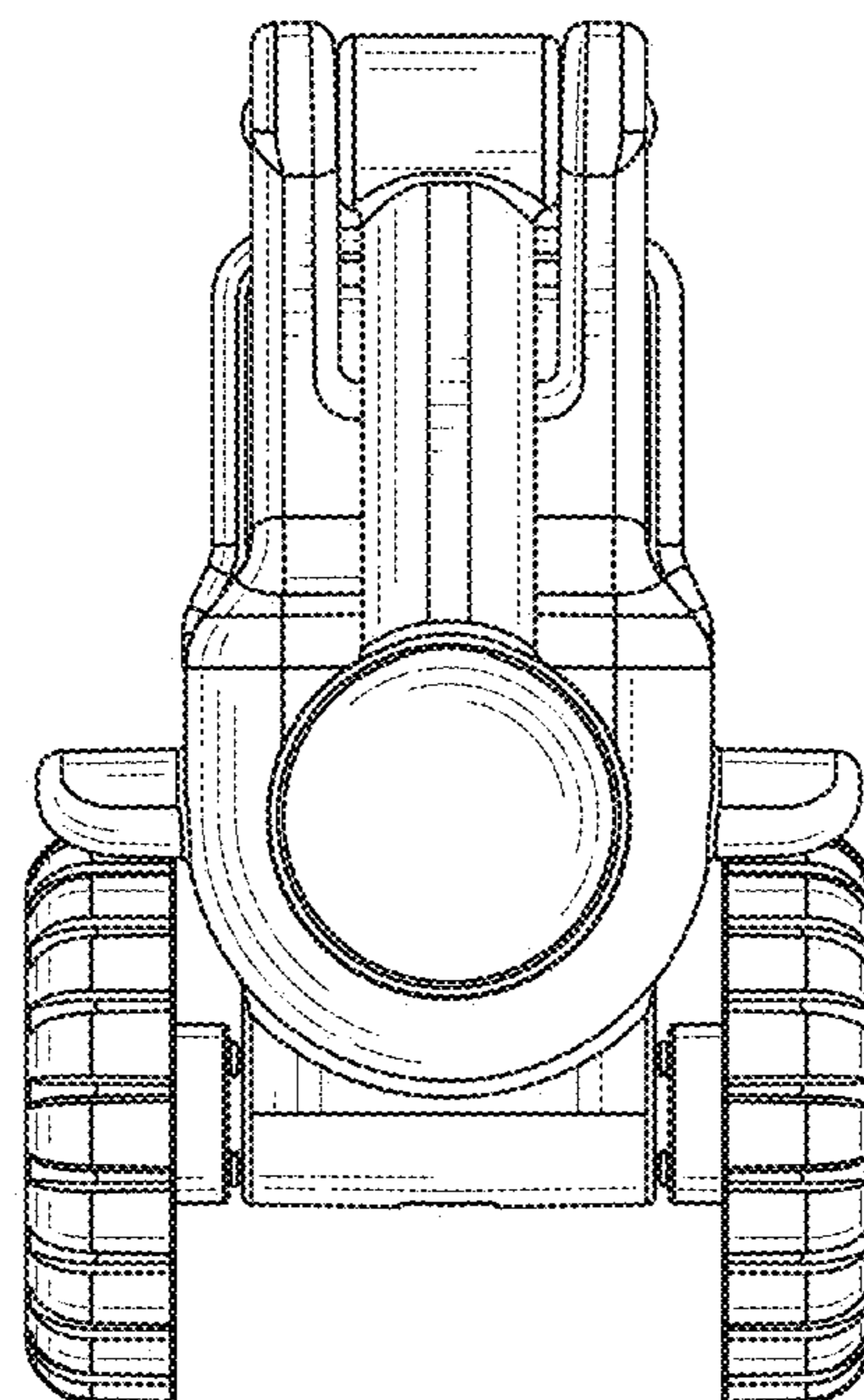


FIG. 27

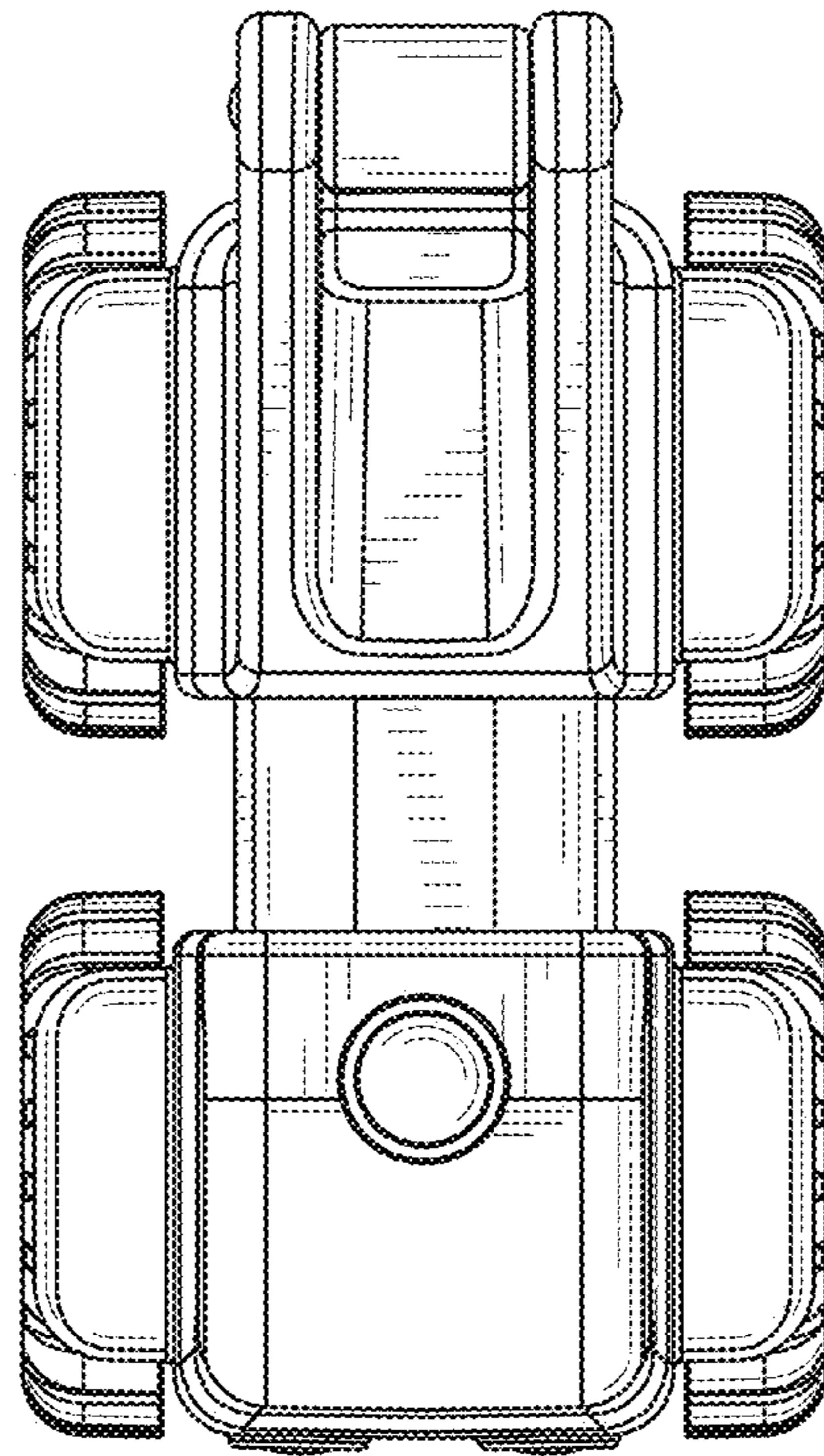


FIG. 28

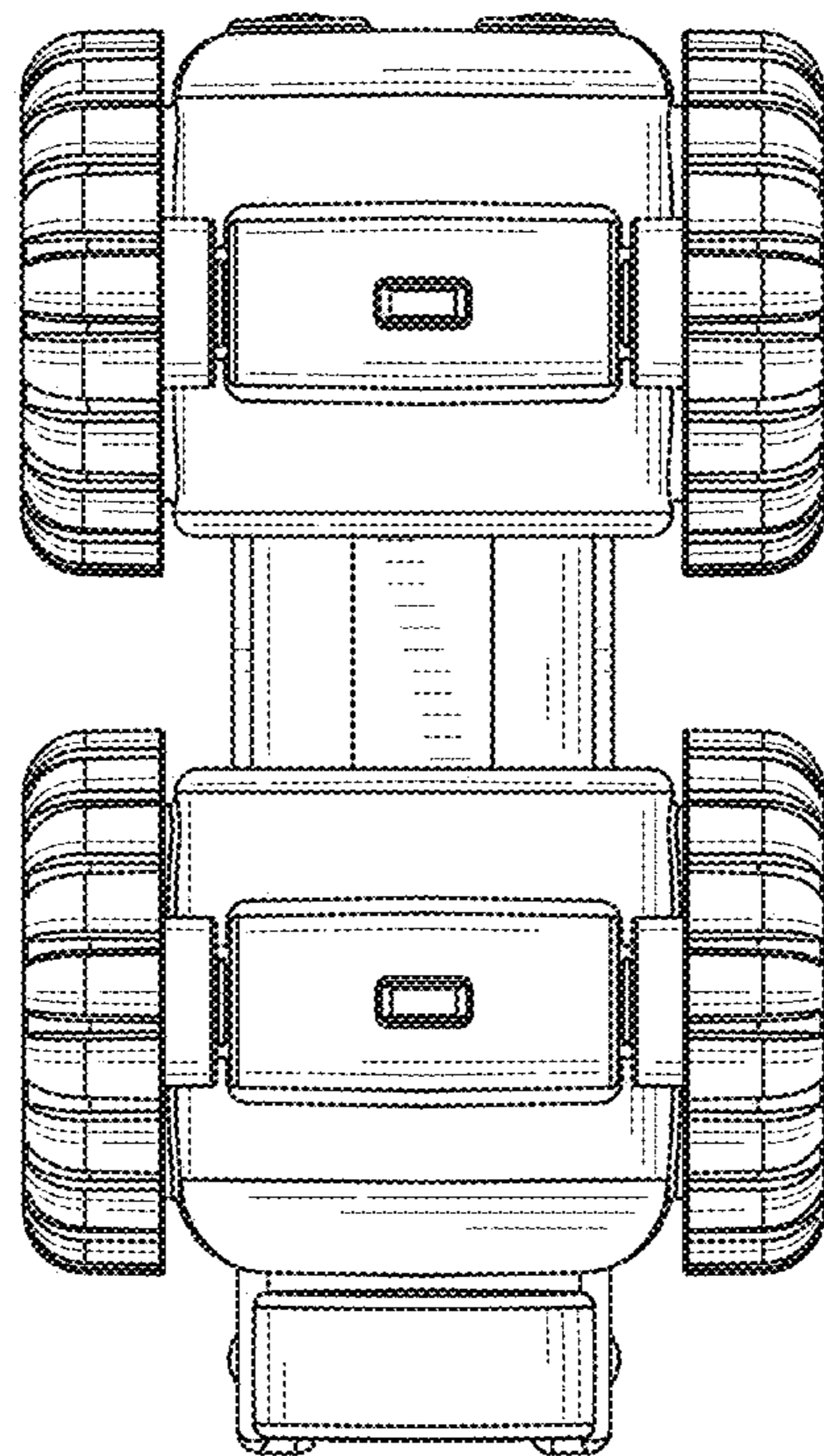


FIG. 29

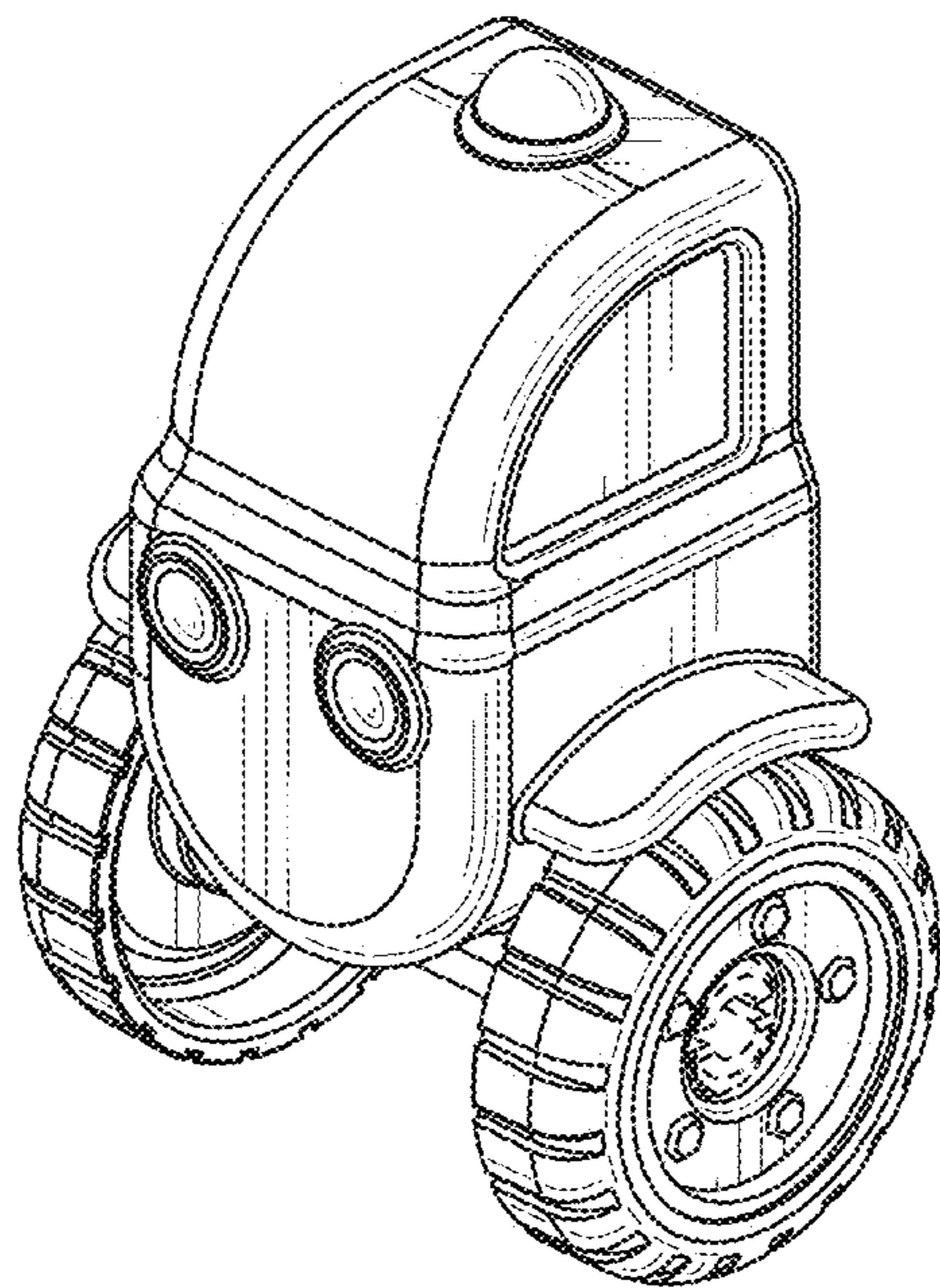


FIG. 30

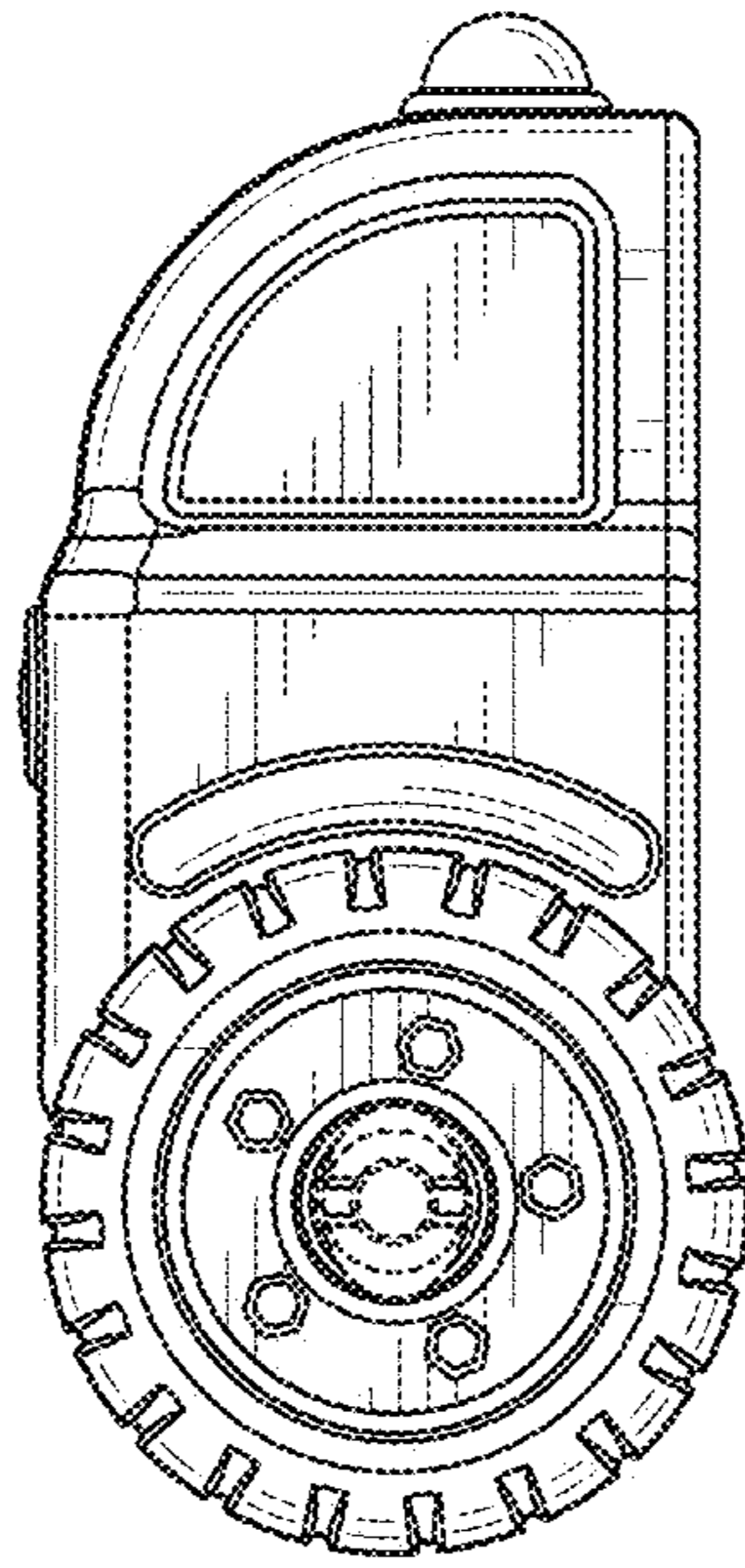


FIG. 31

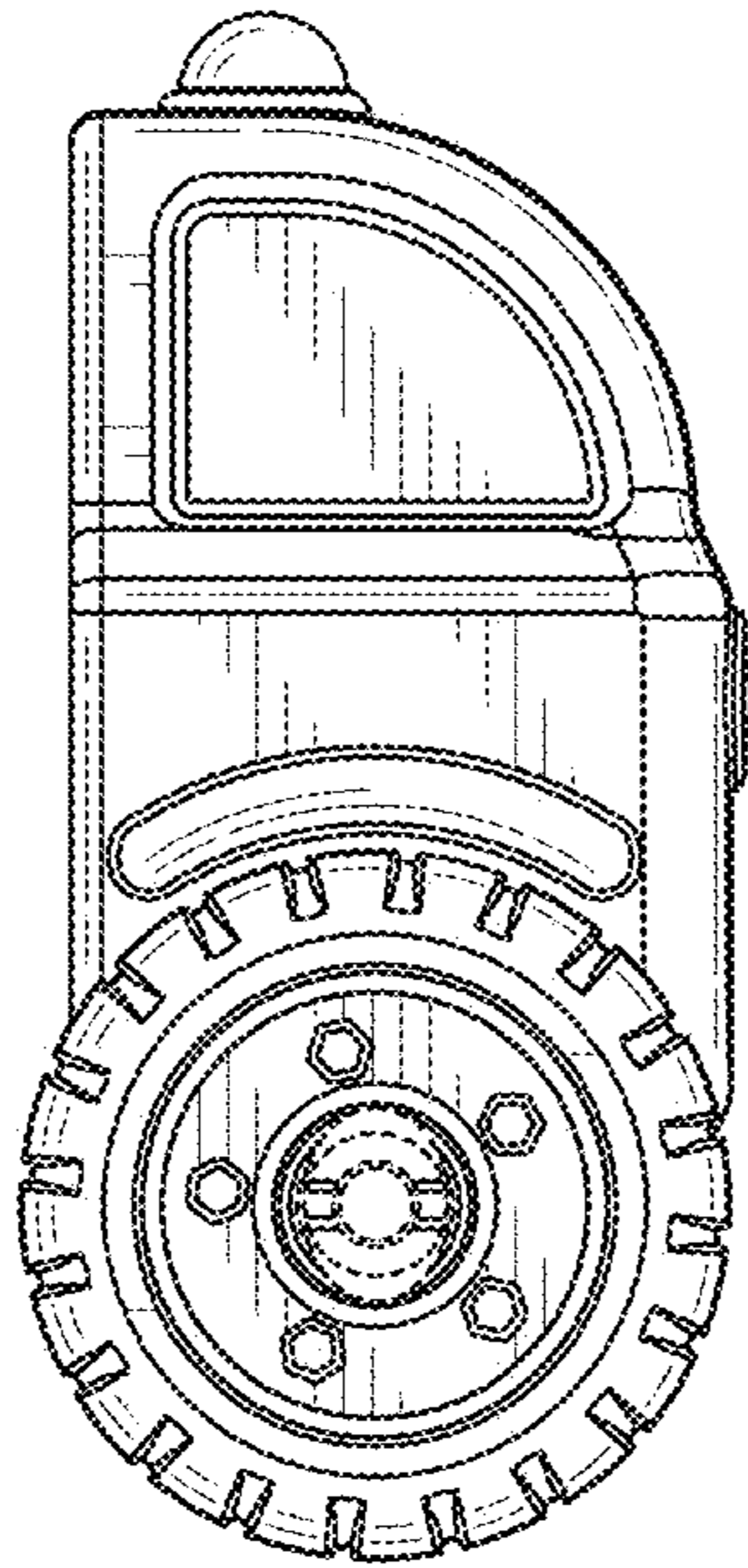


FIG. 32

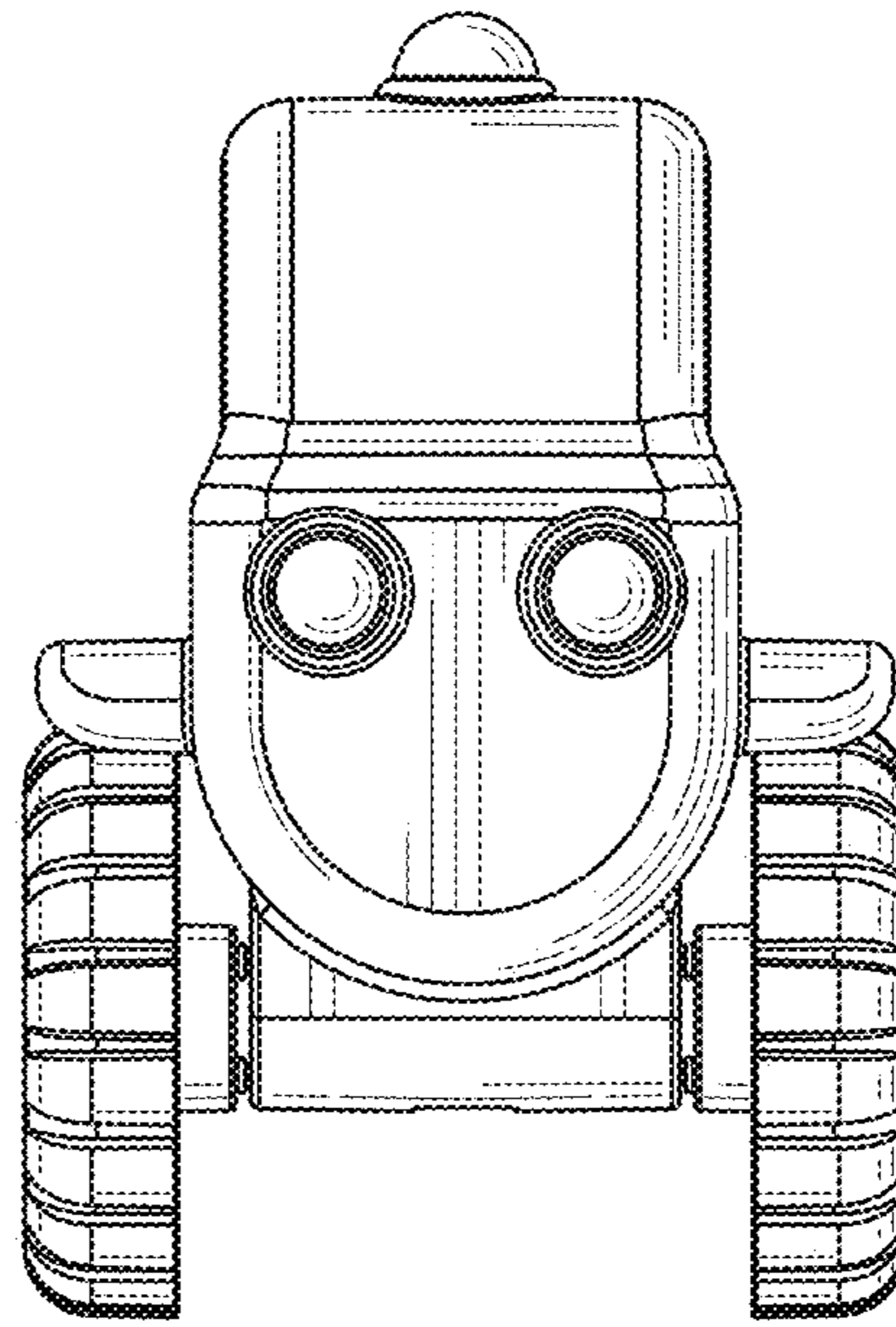


FIG. 33

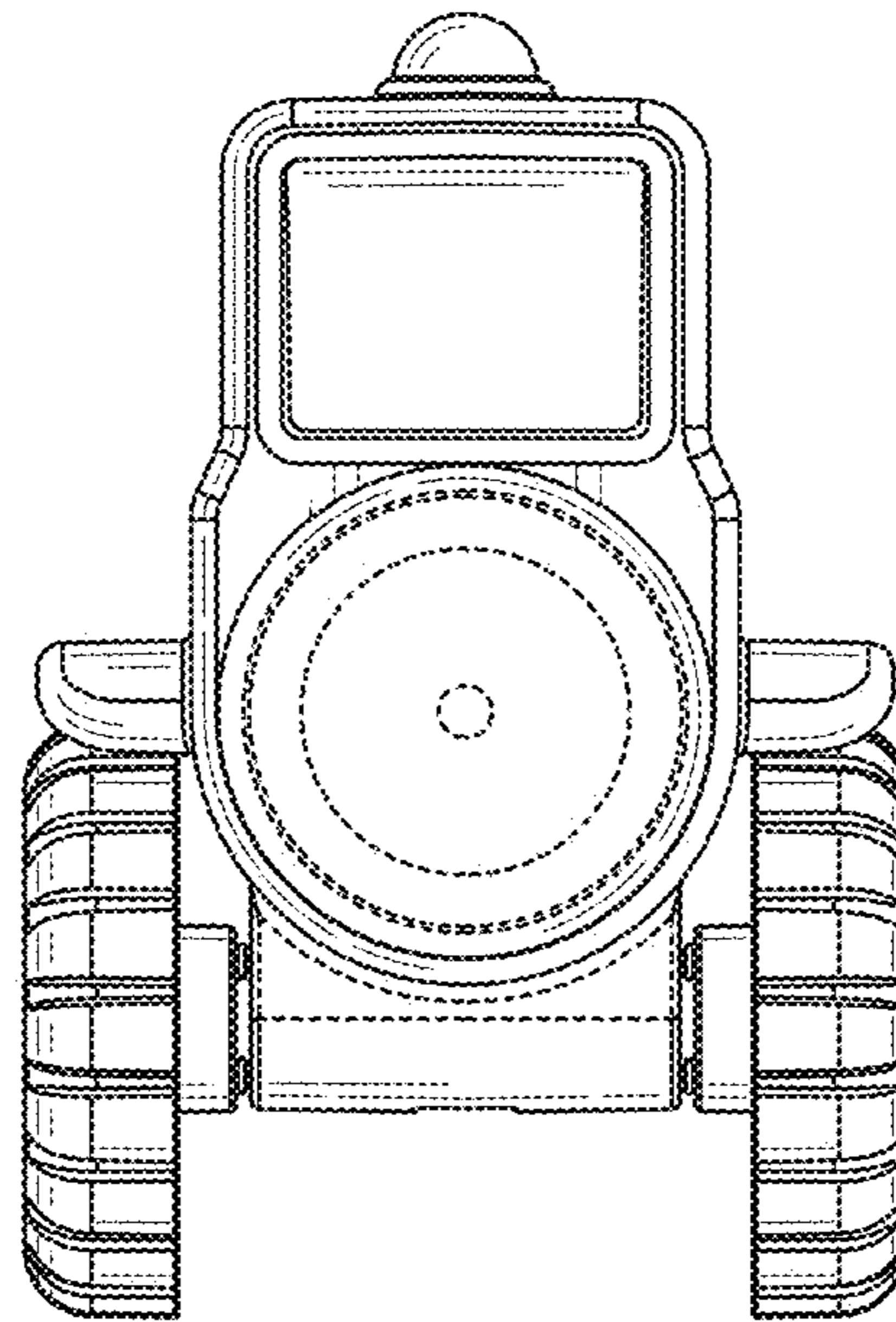


FIG. 34

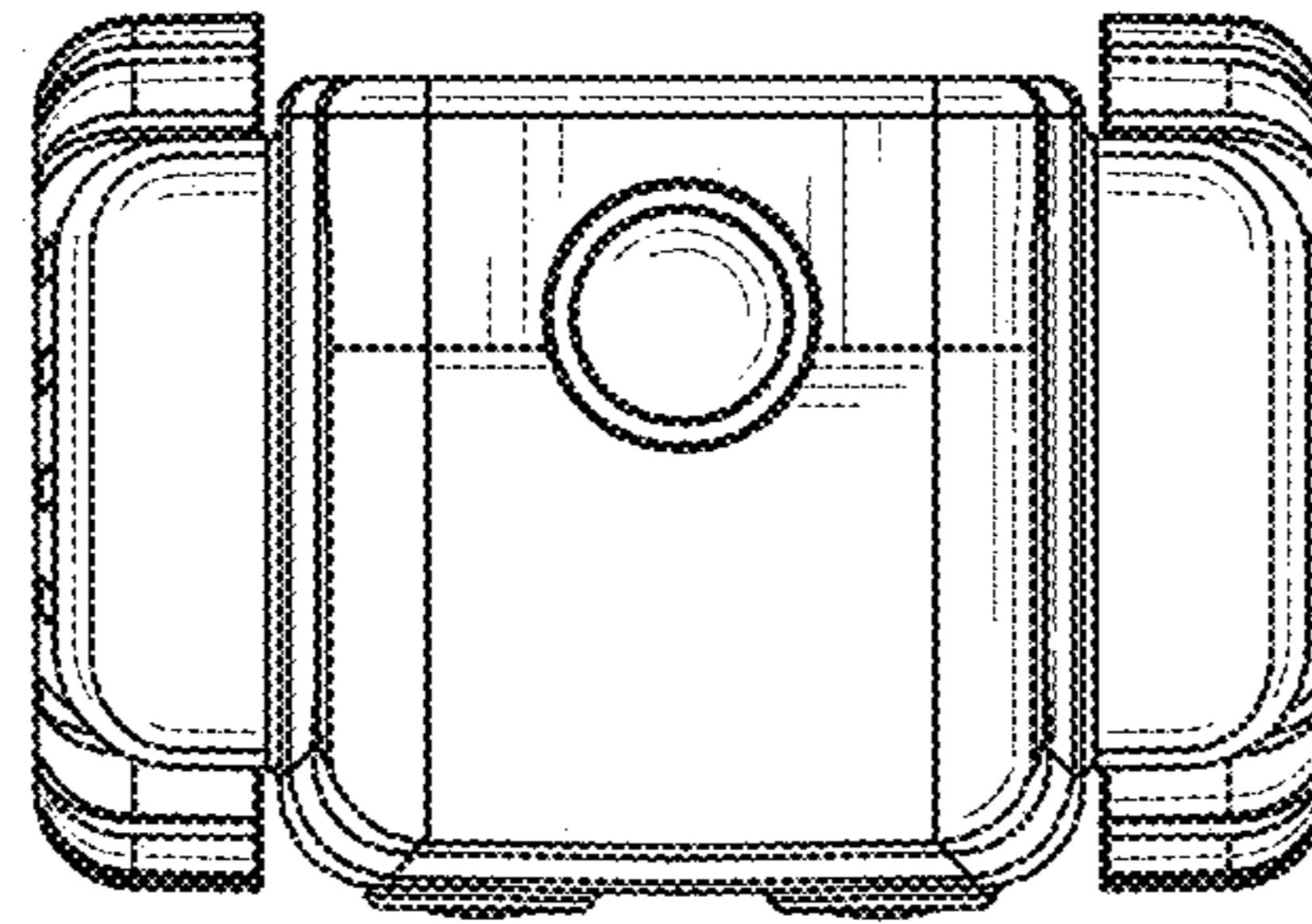


FIG. 35

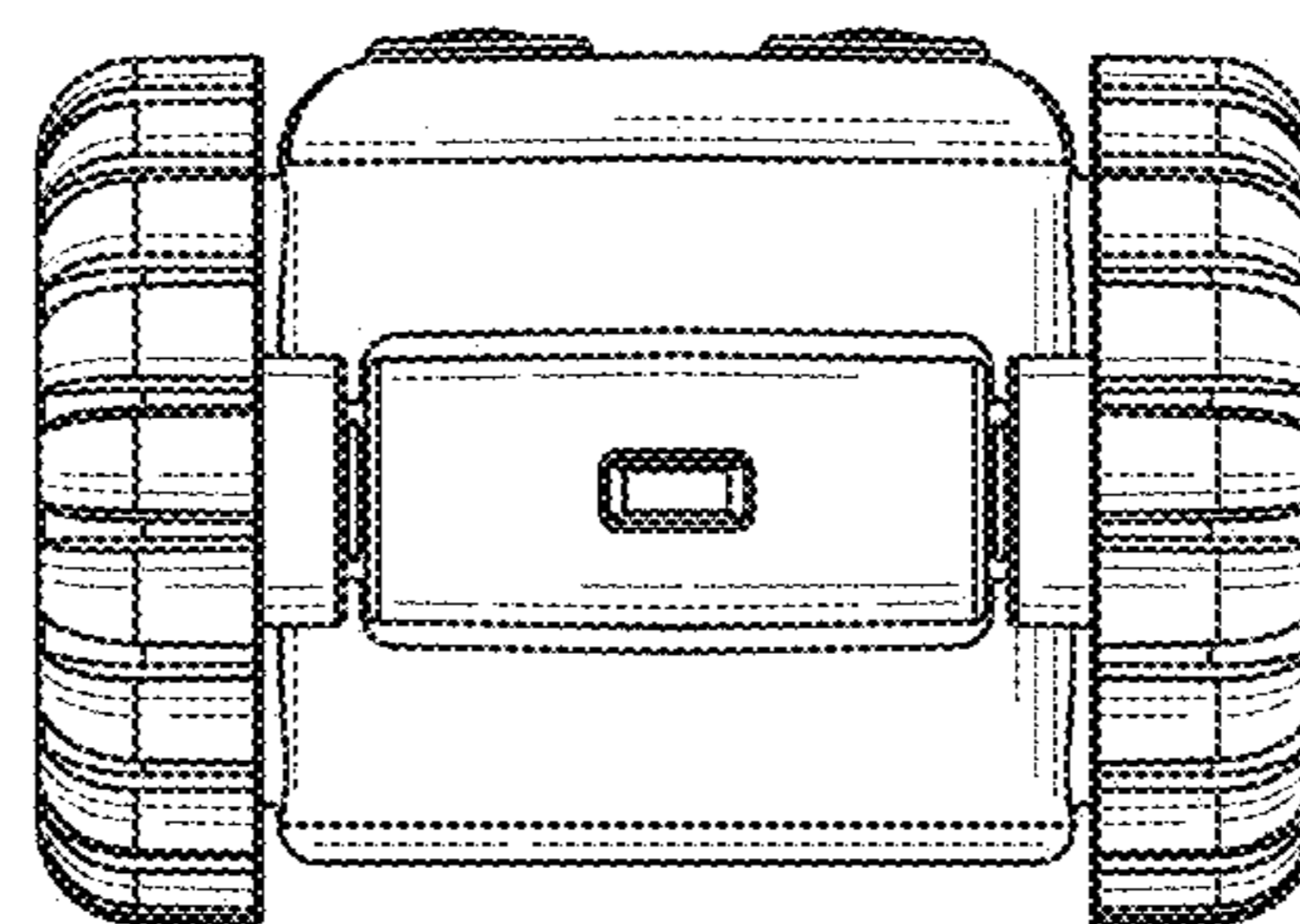


FIG. 36

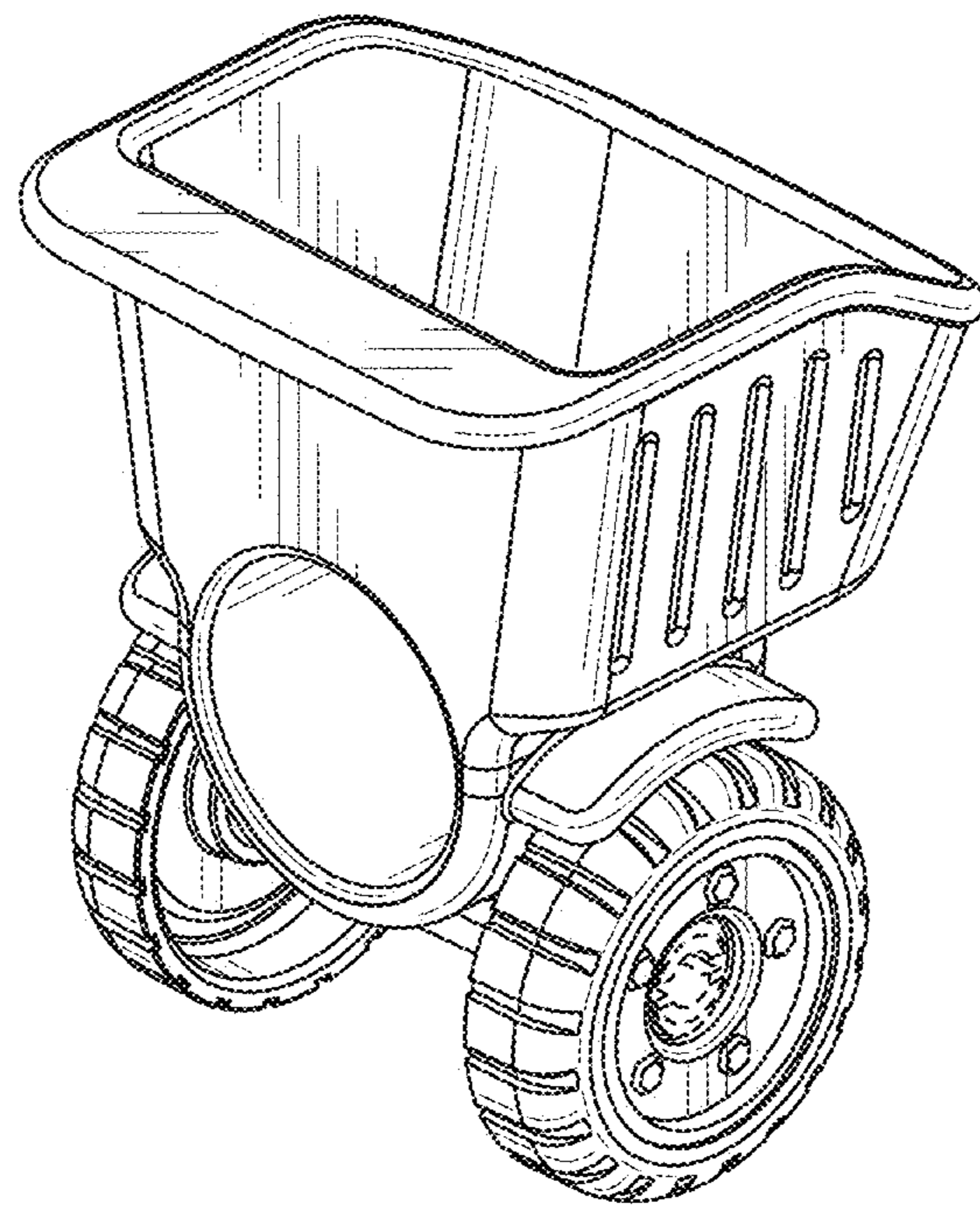


FIG. 37

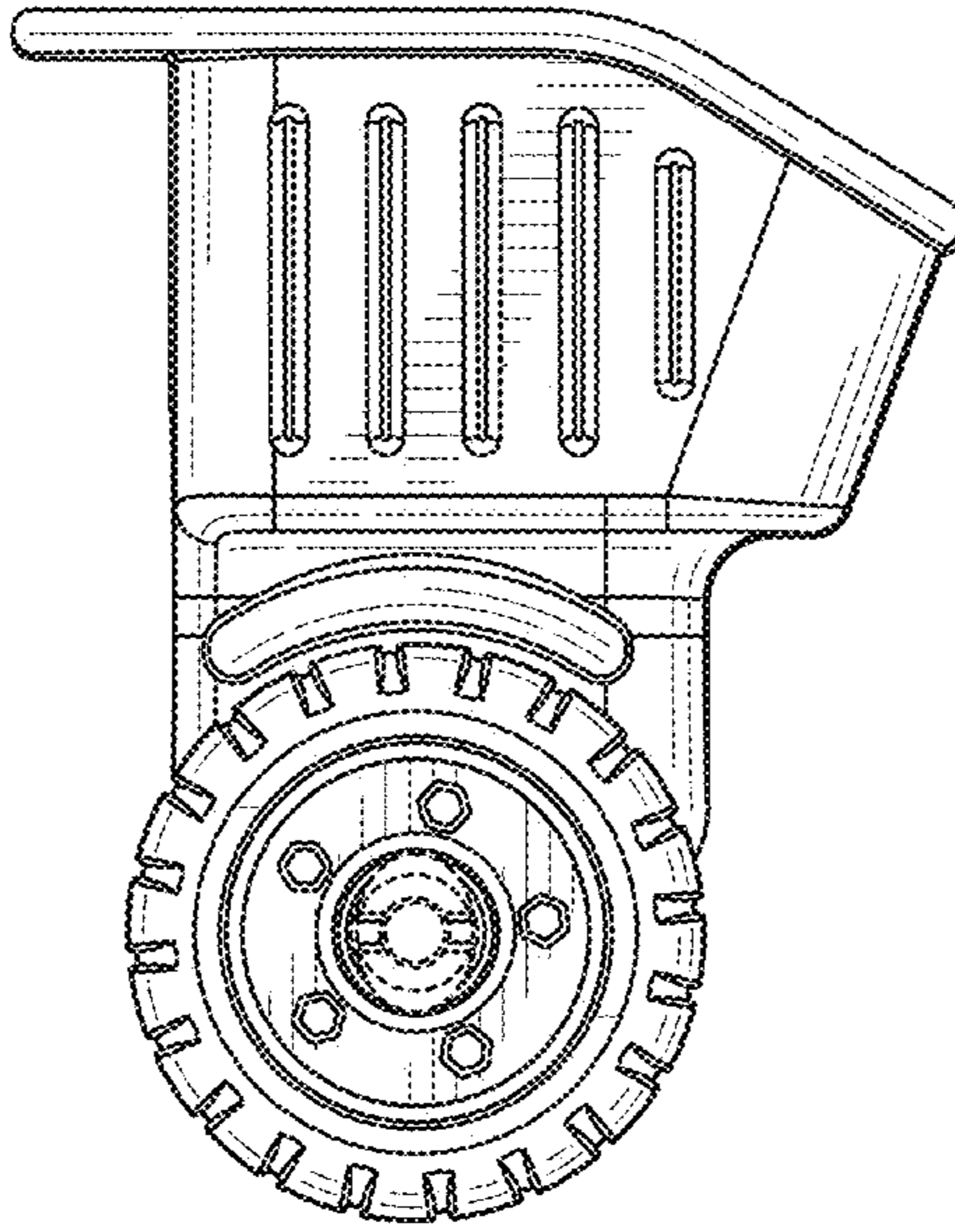


FIG. 38

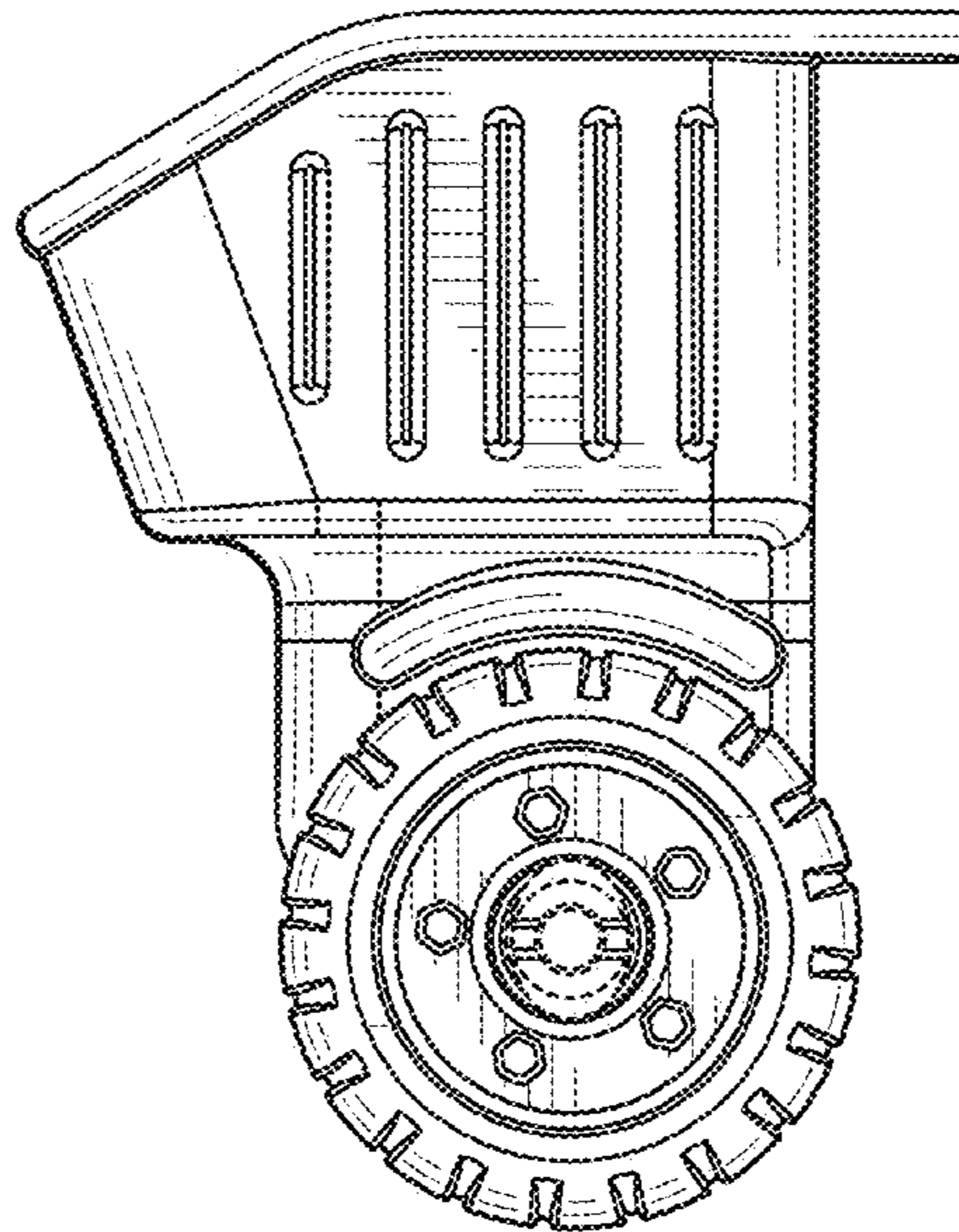


FIG. 39

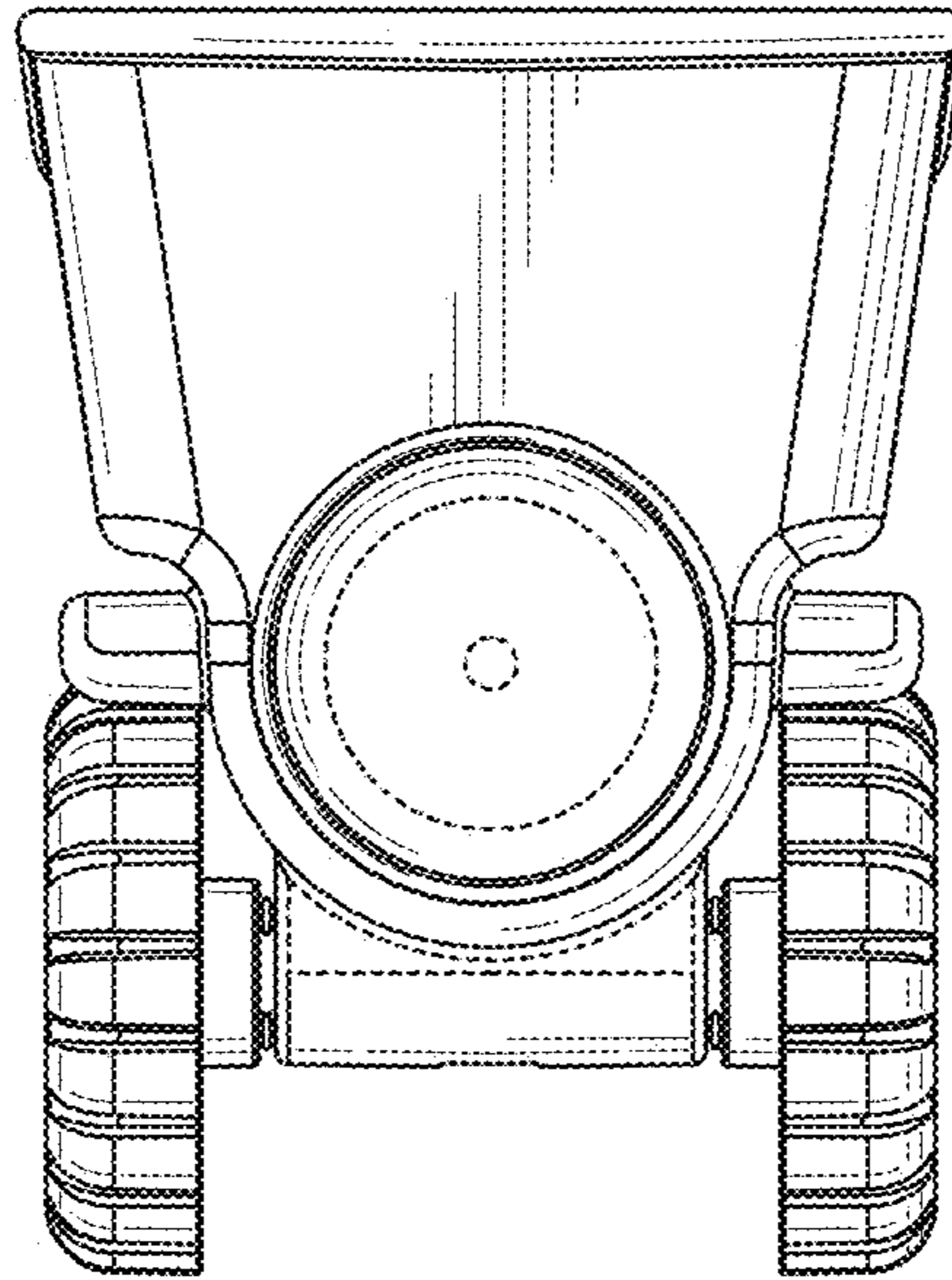


FIG. 40

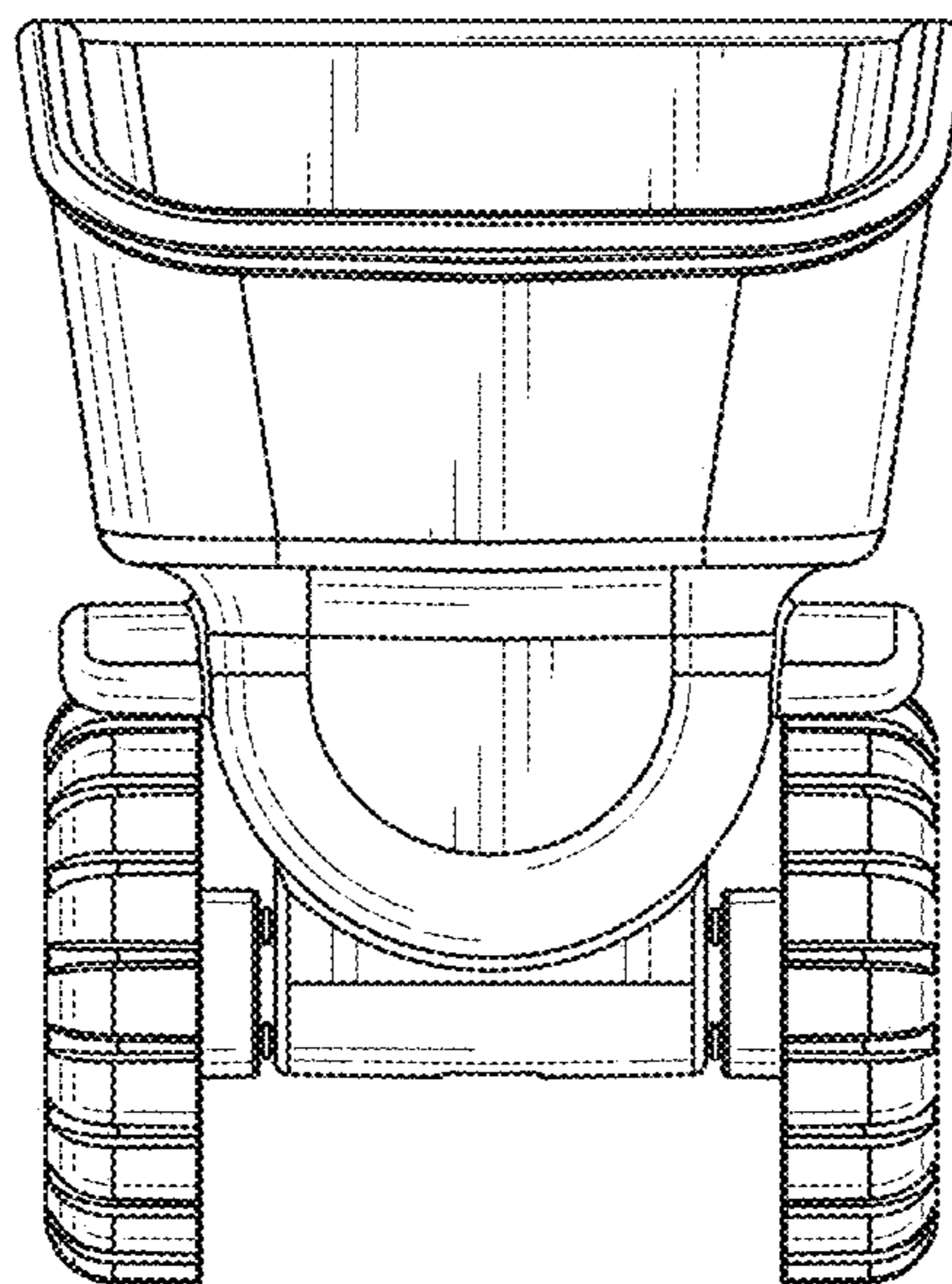


FIG. 41

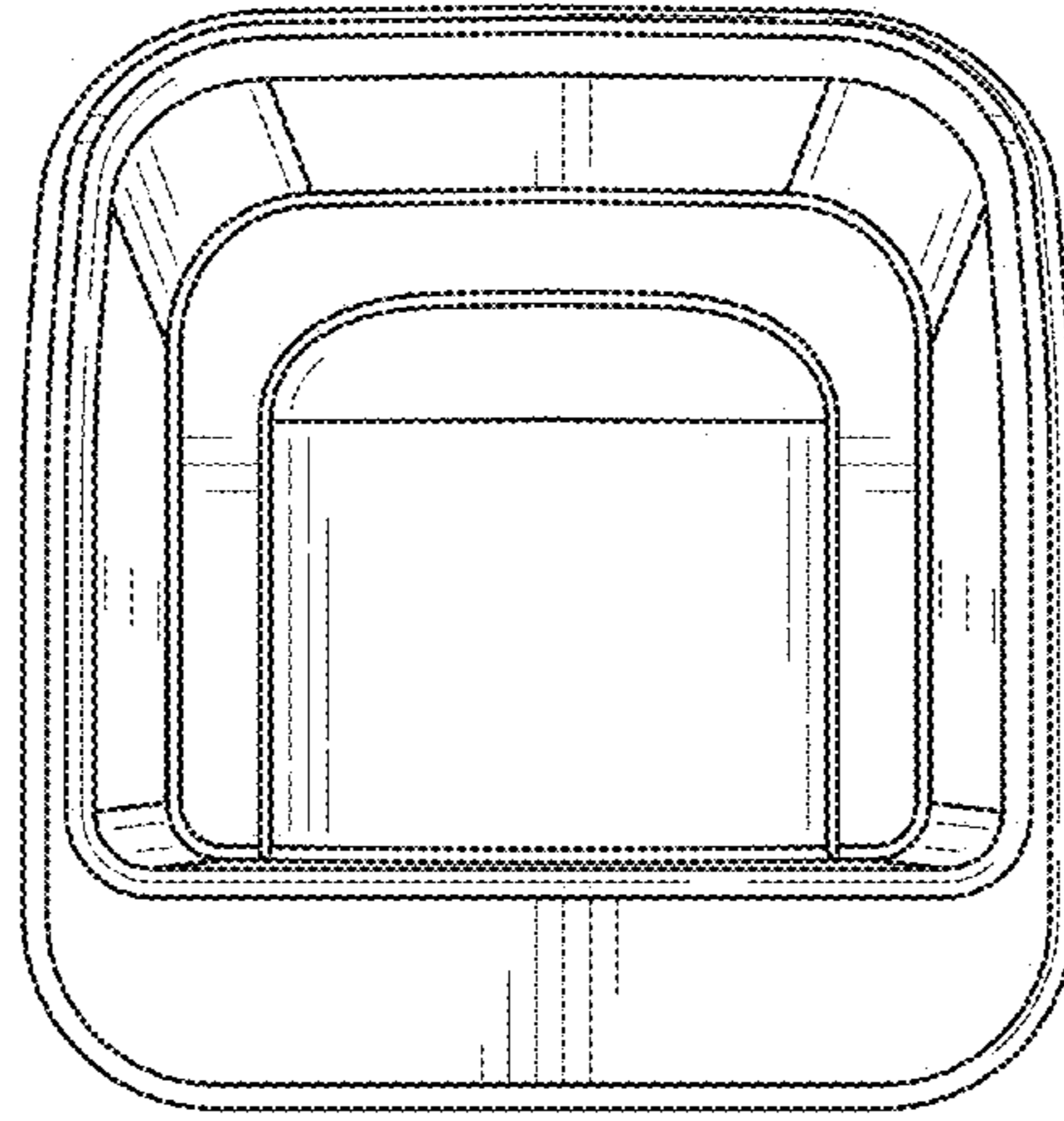


FIG. 42

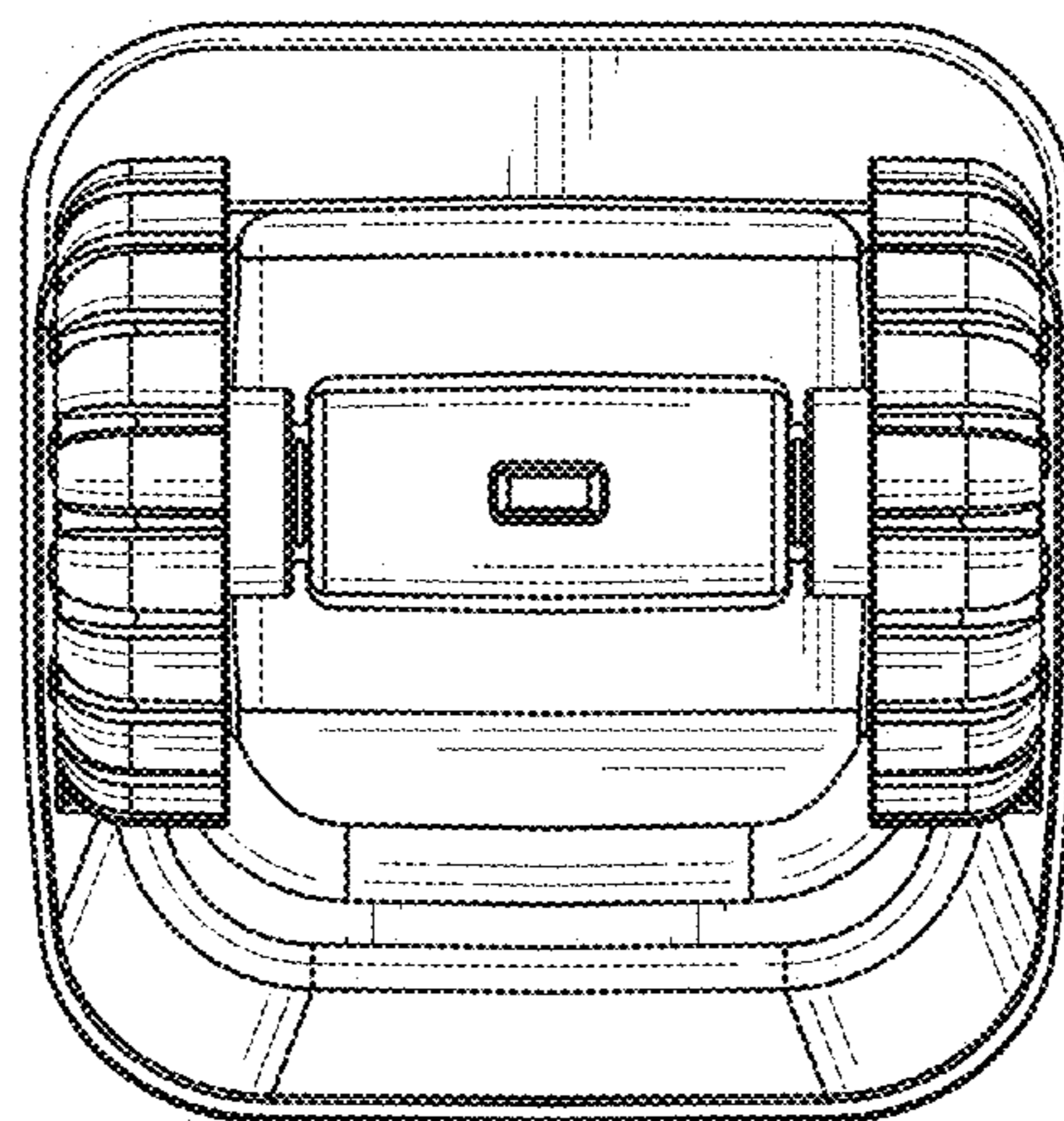


FIG. 43

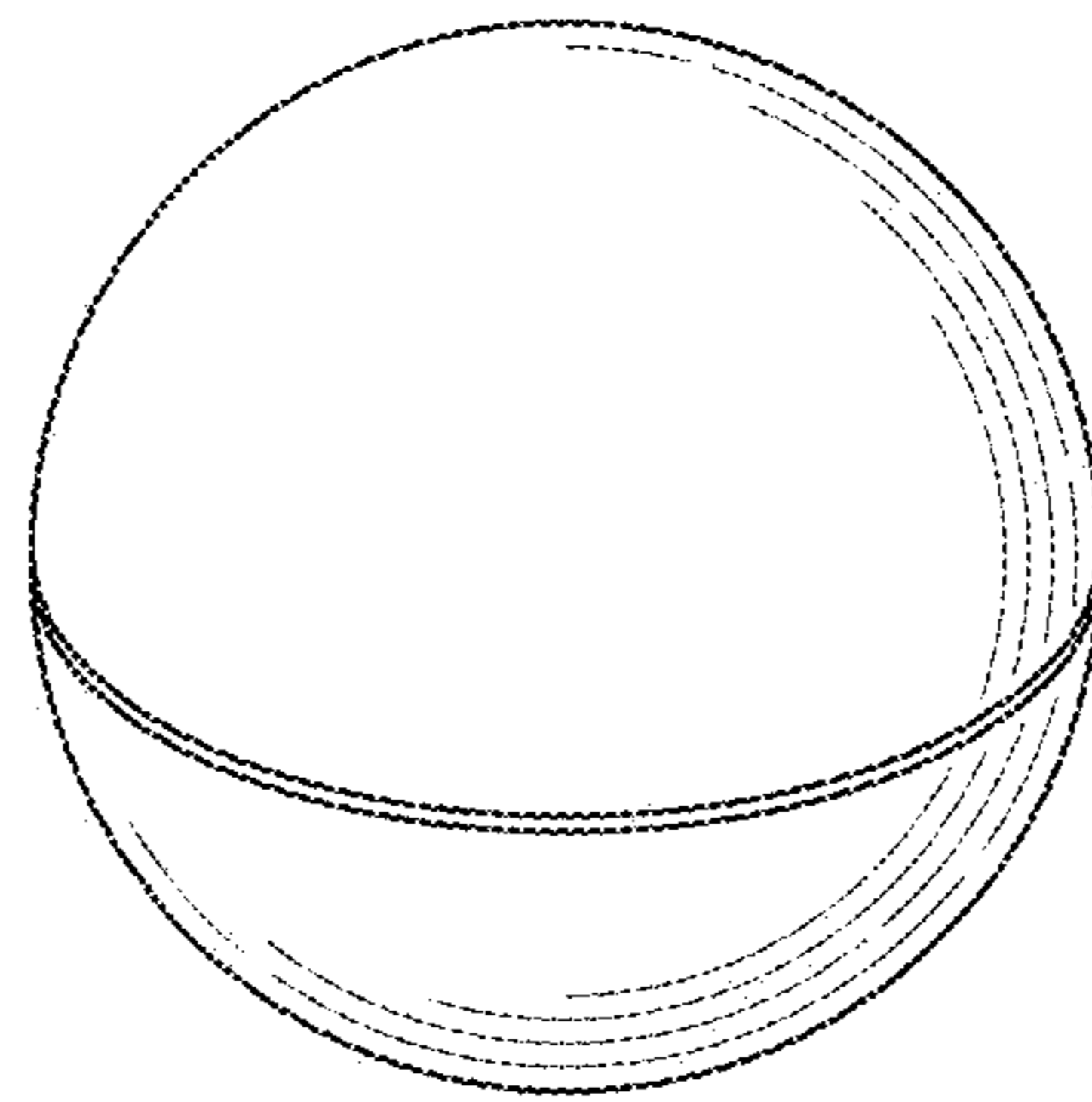


FIG. 44

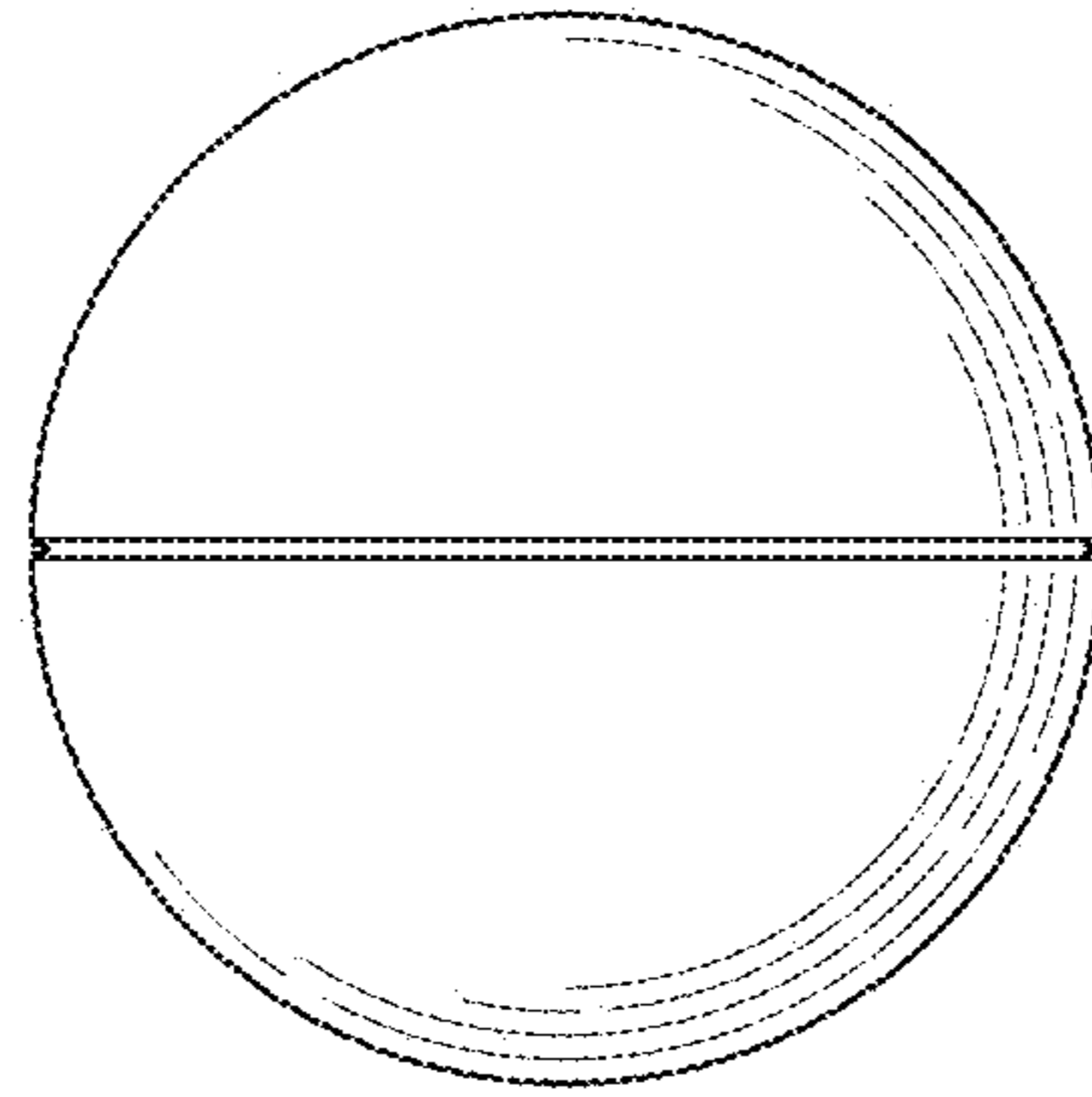


FIG. 45

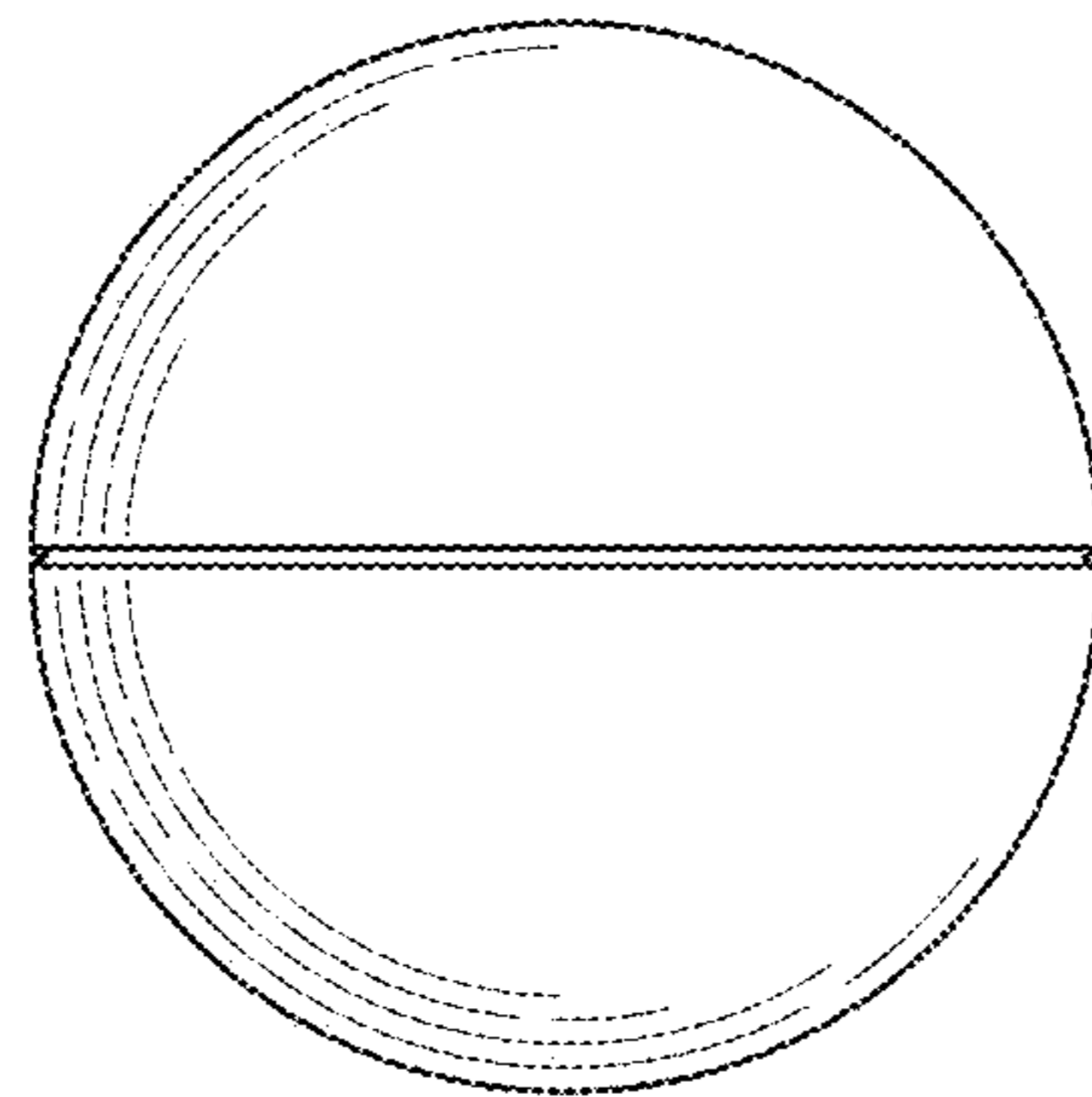


FIG. 46

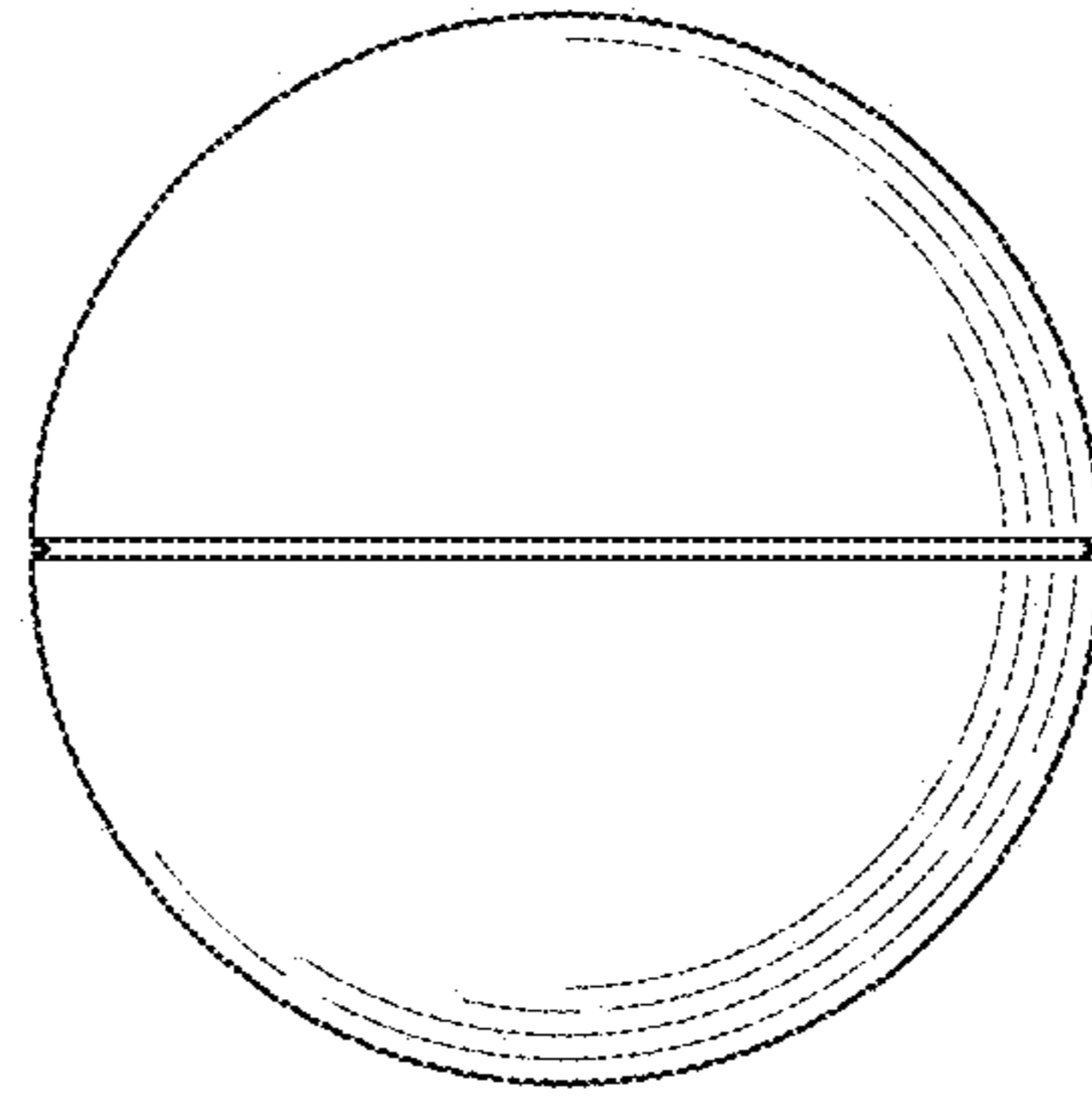


FIG. 47

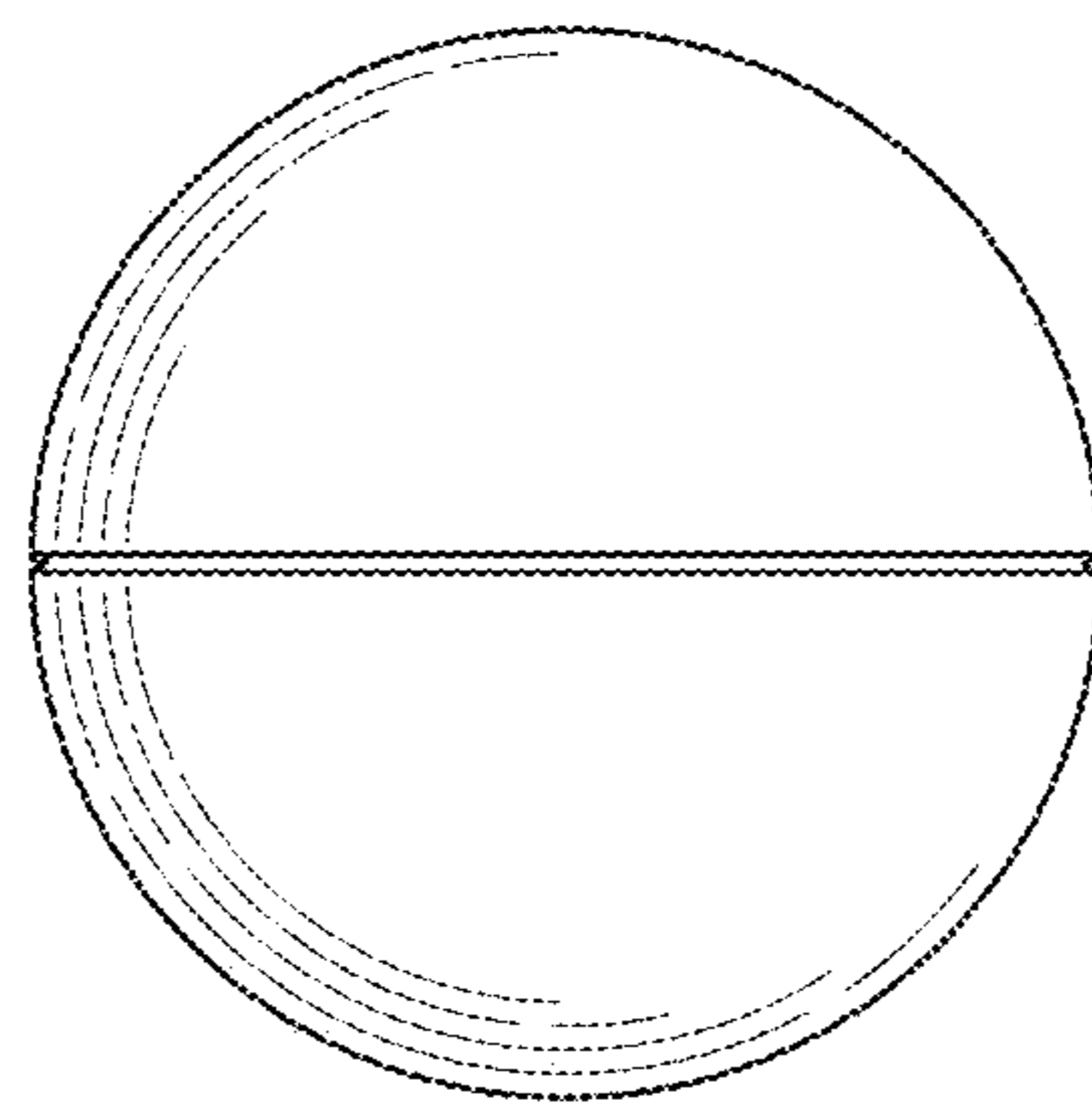


FIG. 48

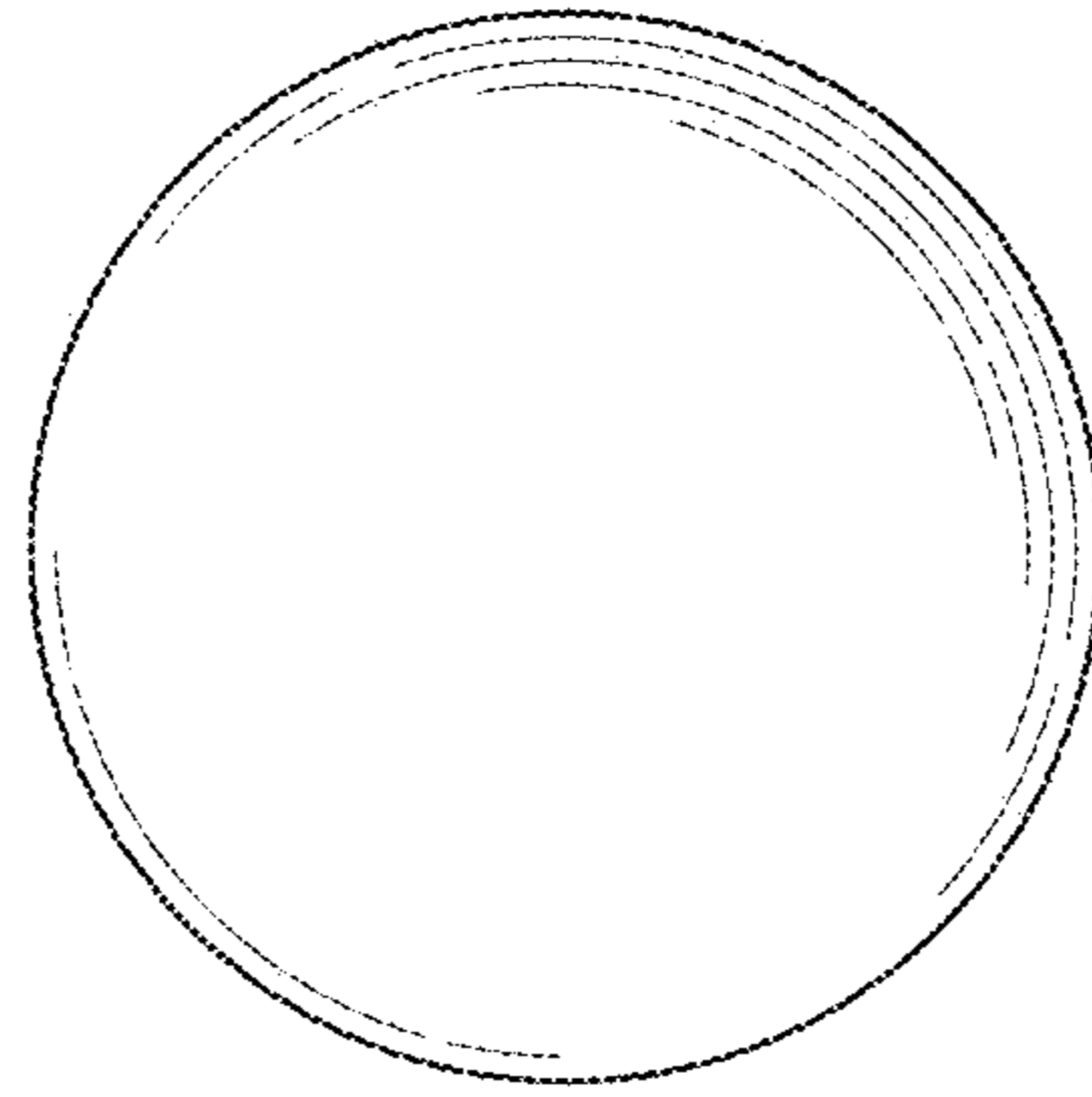


FIG. 49

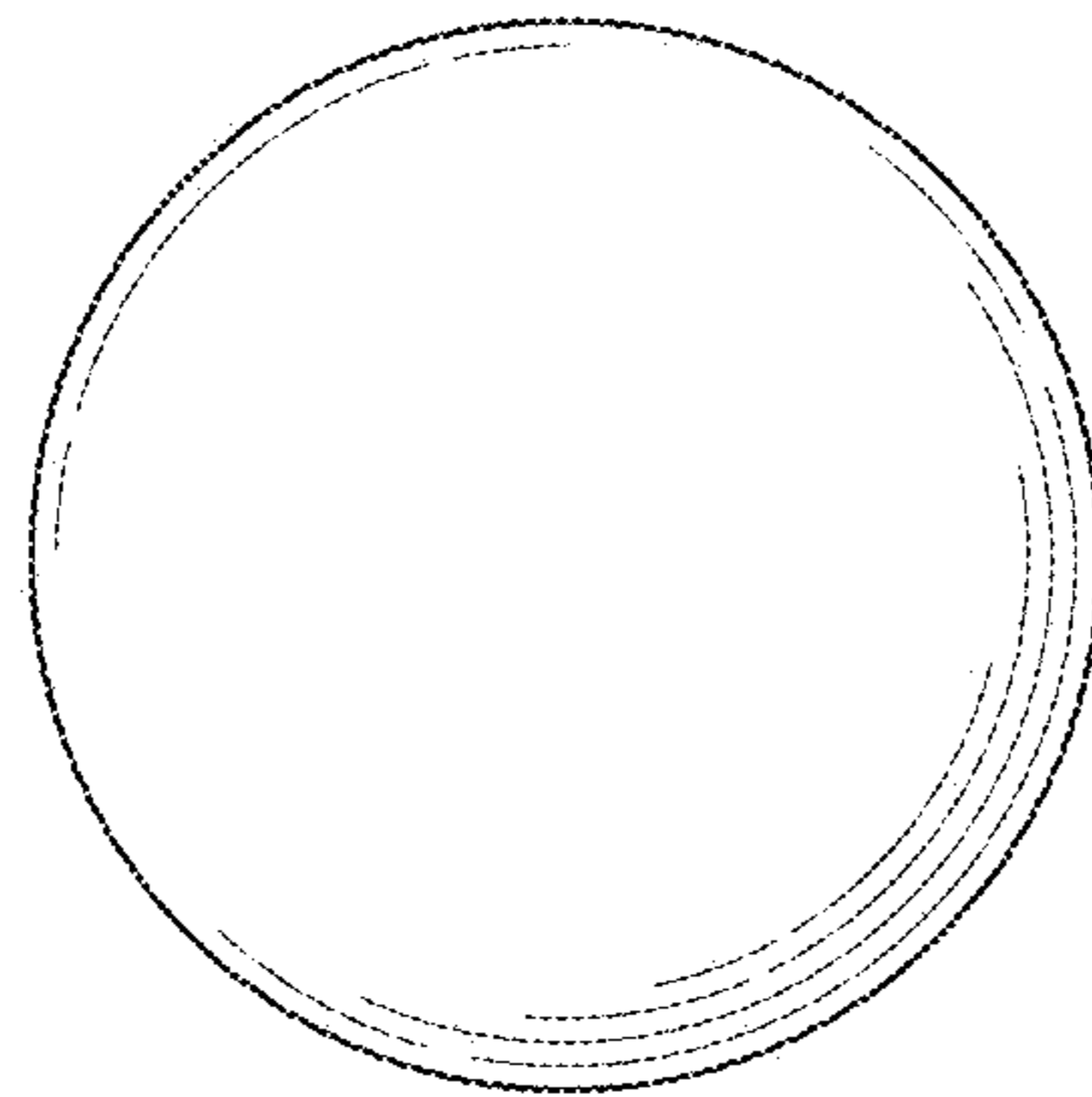


FIG. 50

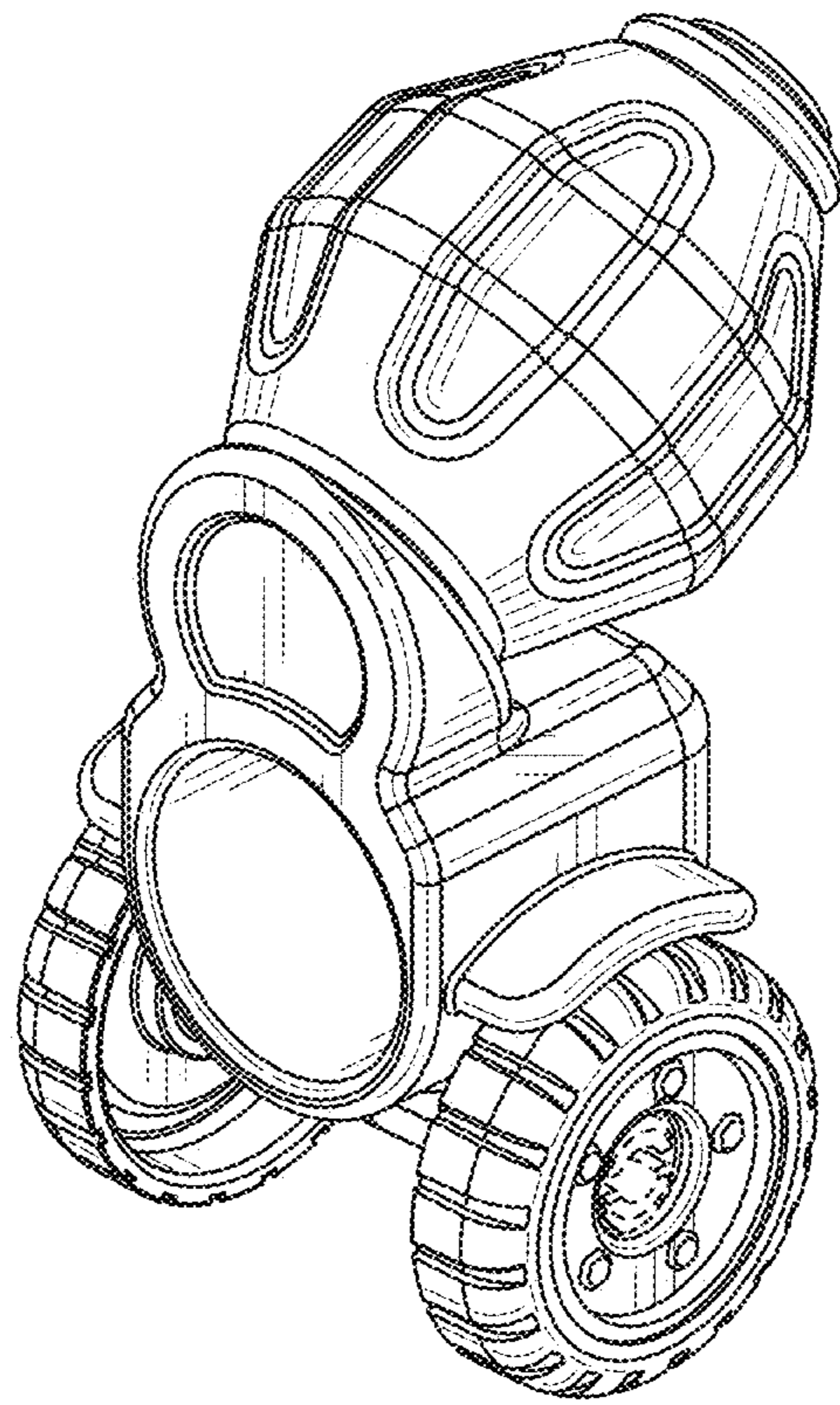


FIG. 51

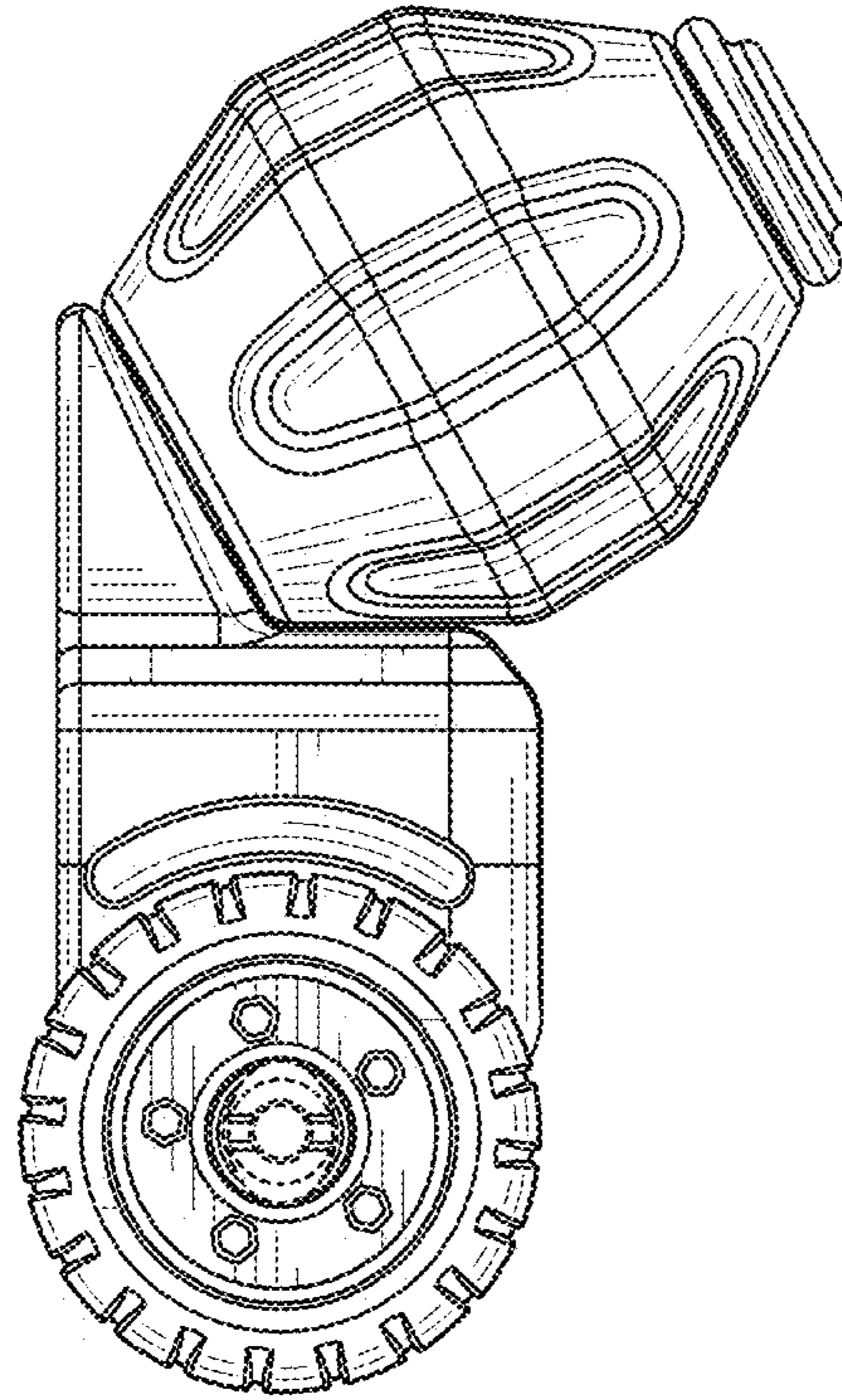


FIG. 52

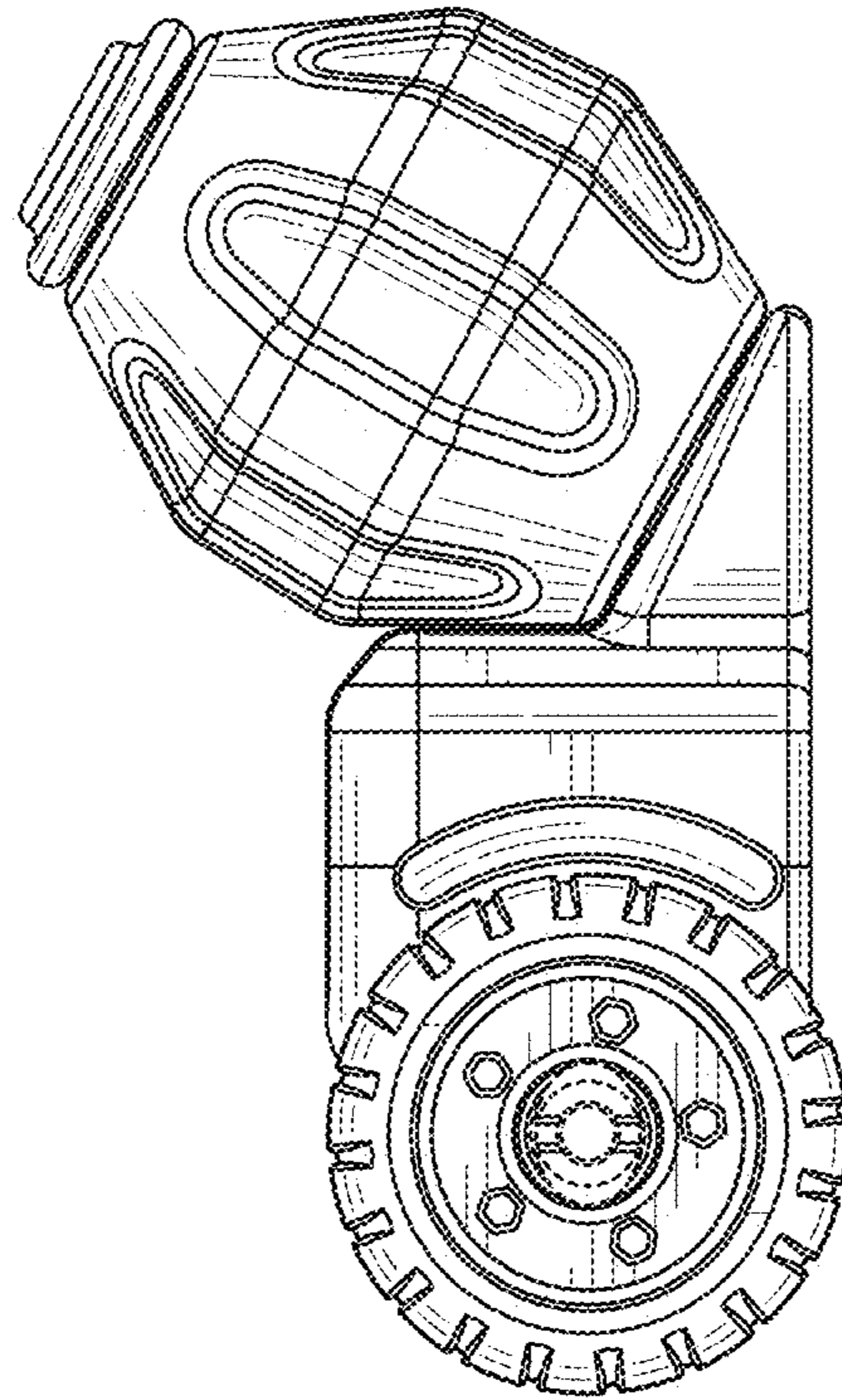


FIG. 53

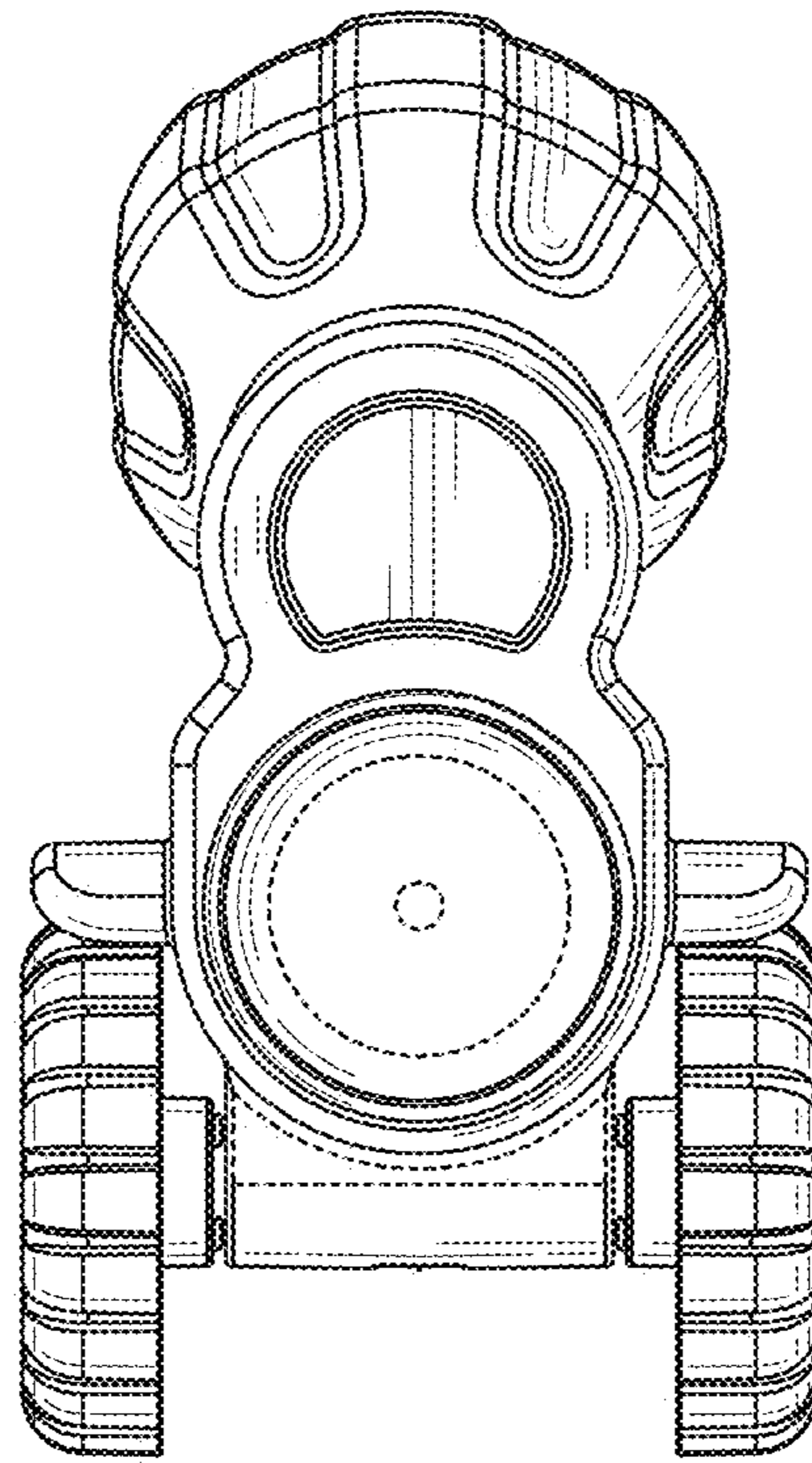


FIG. 54

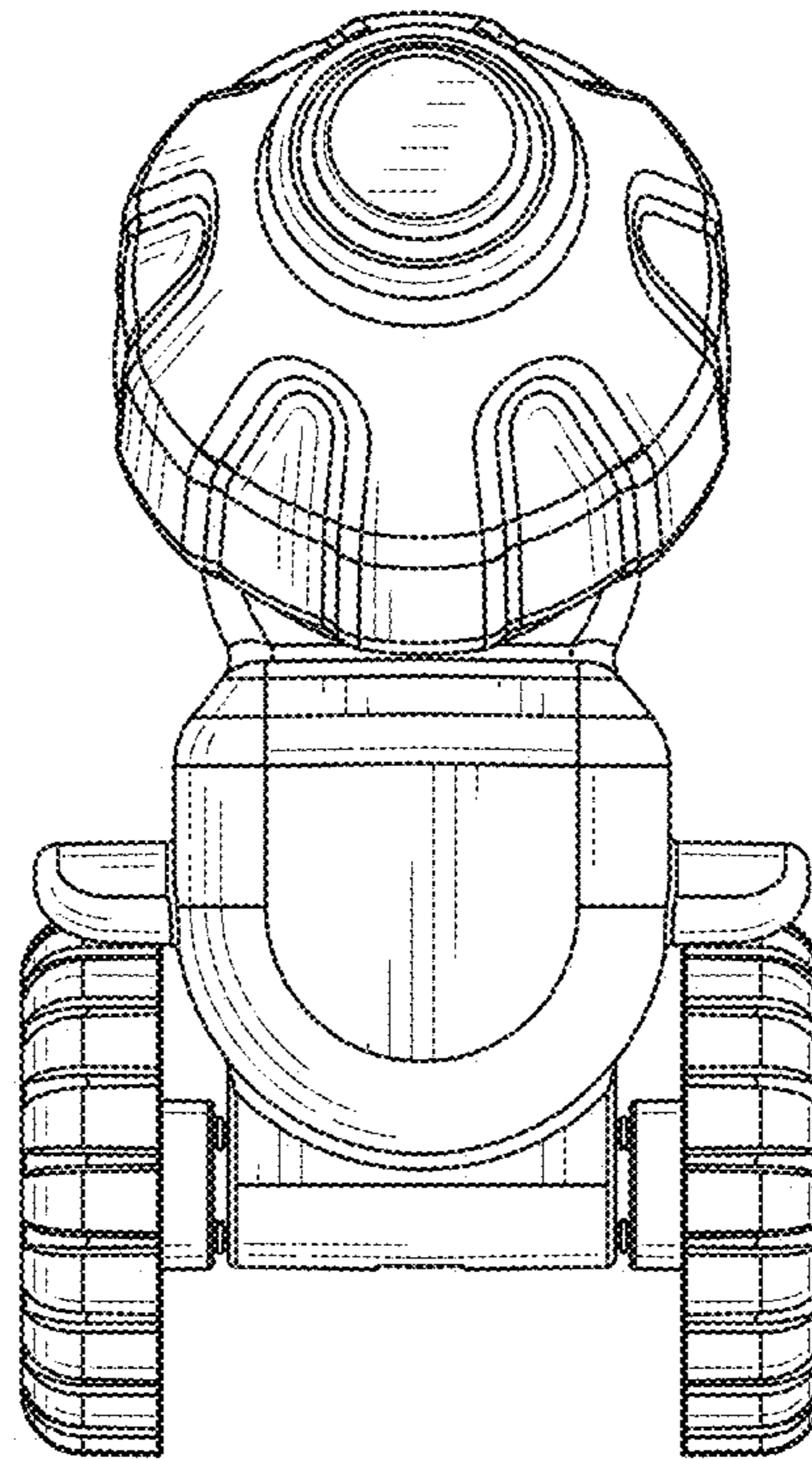


FIG. 55

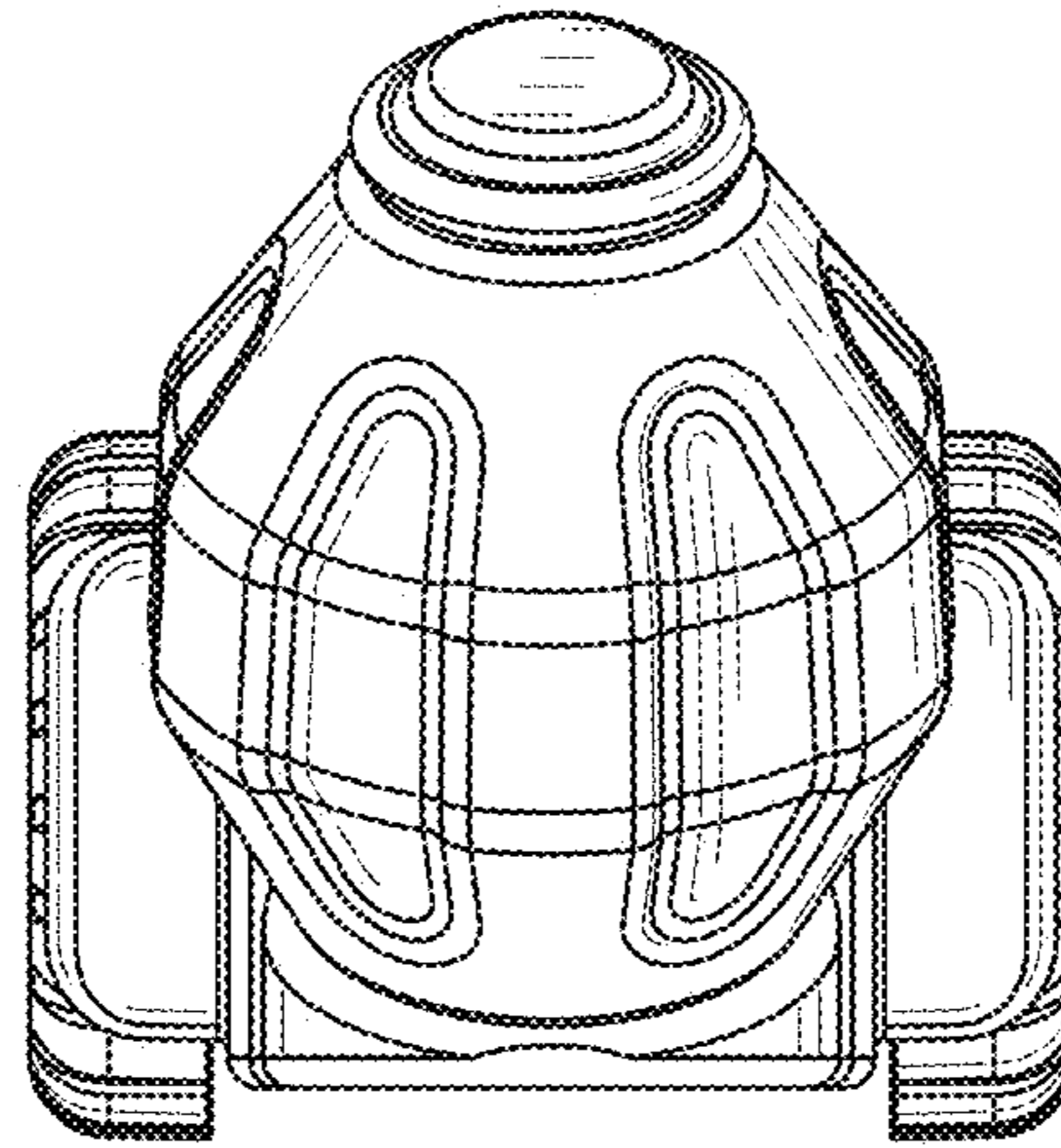


FIG. 56

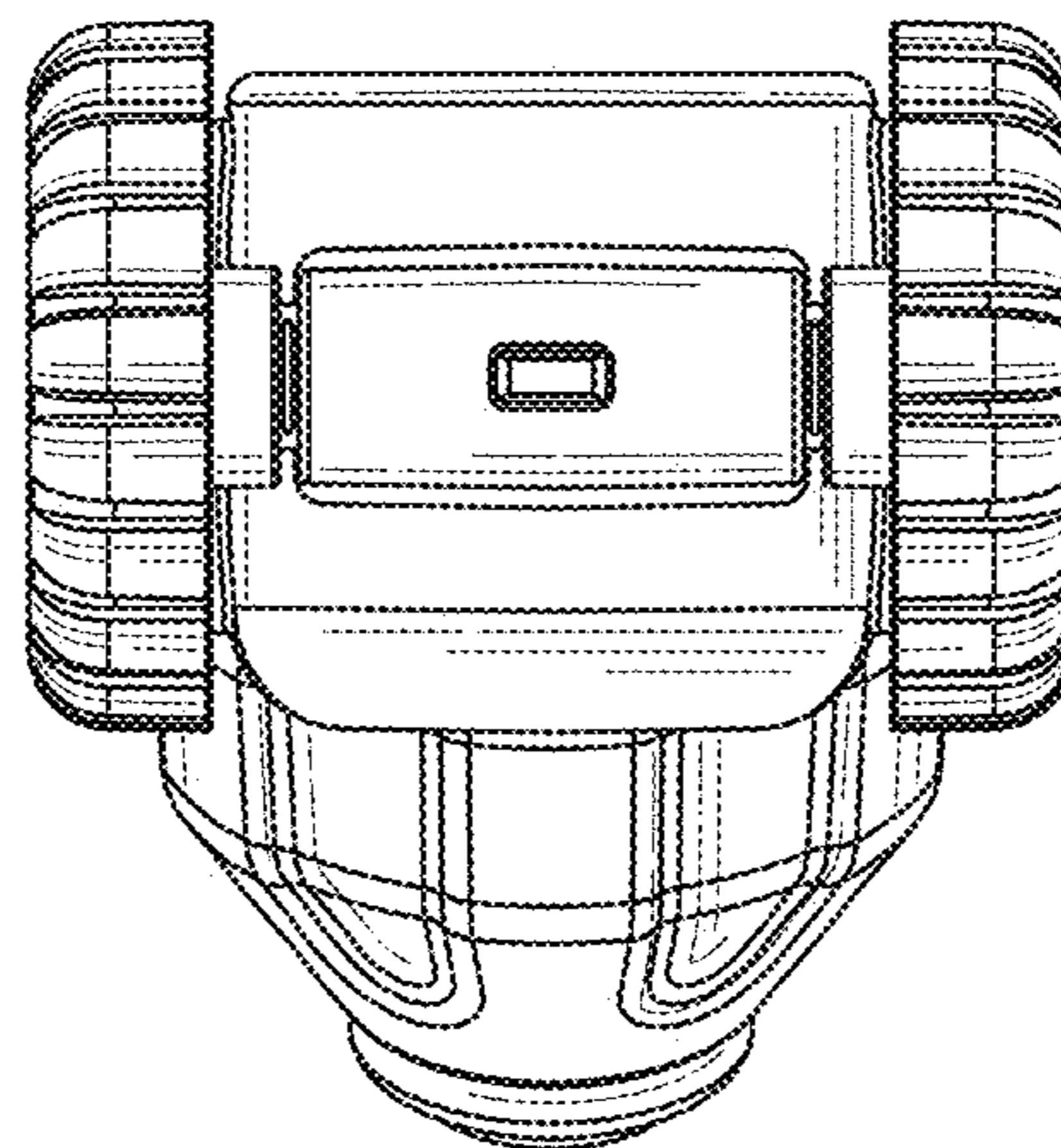


FIG. 57

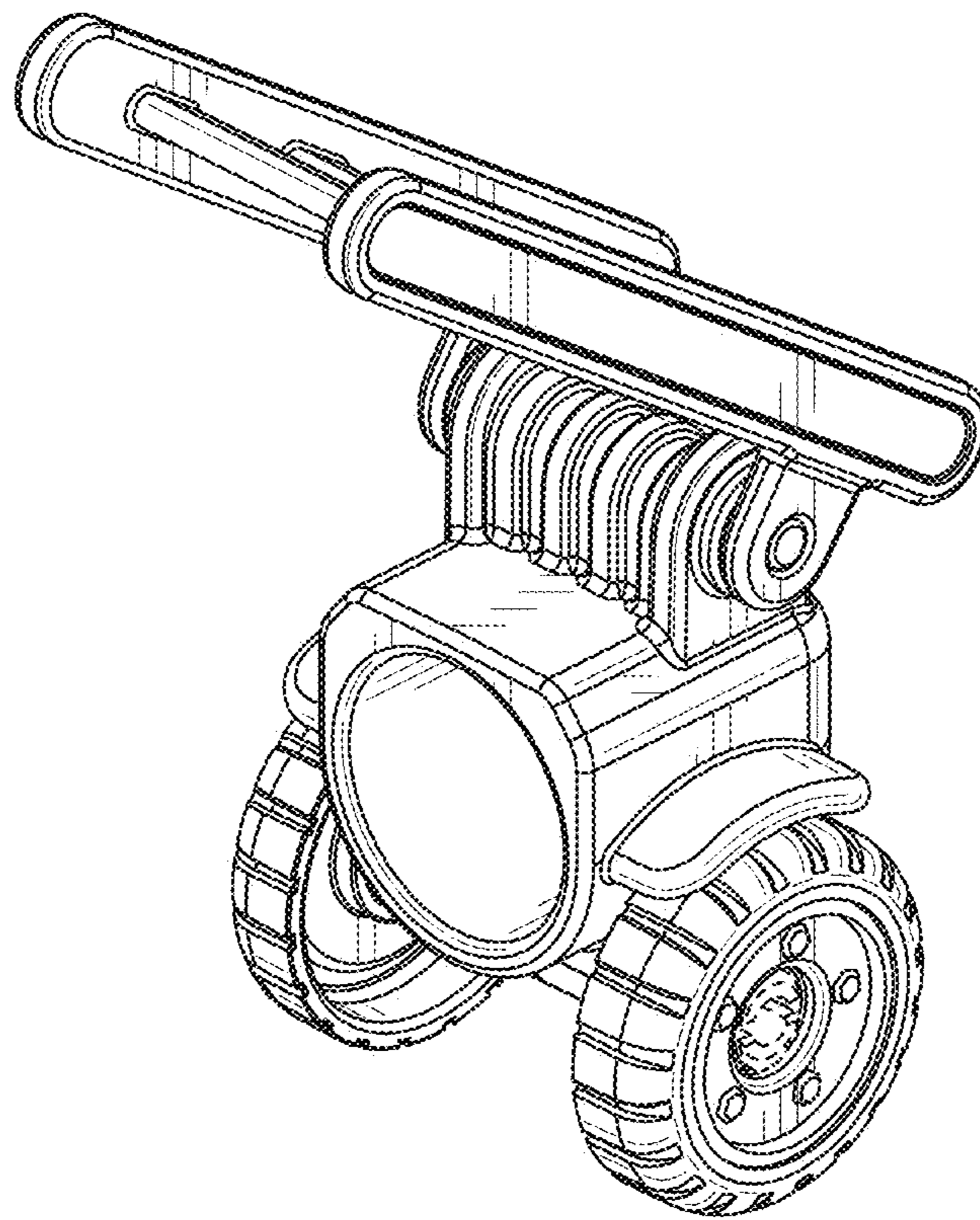


FIG. 58

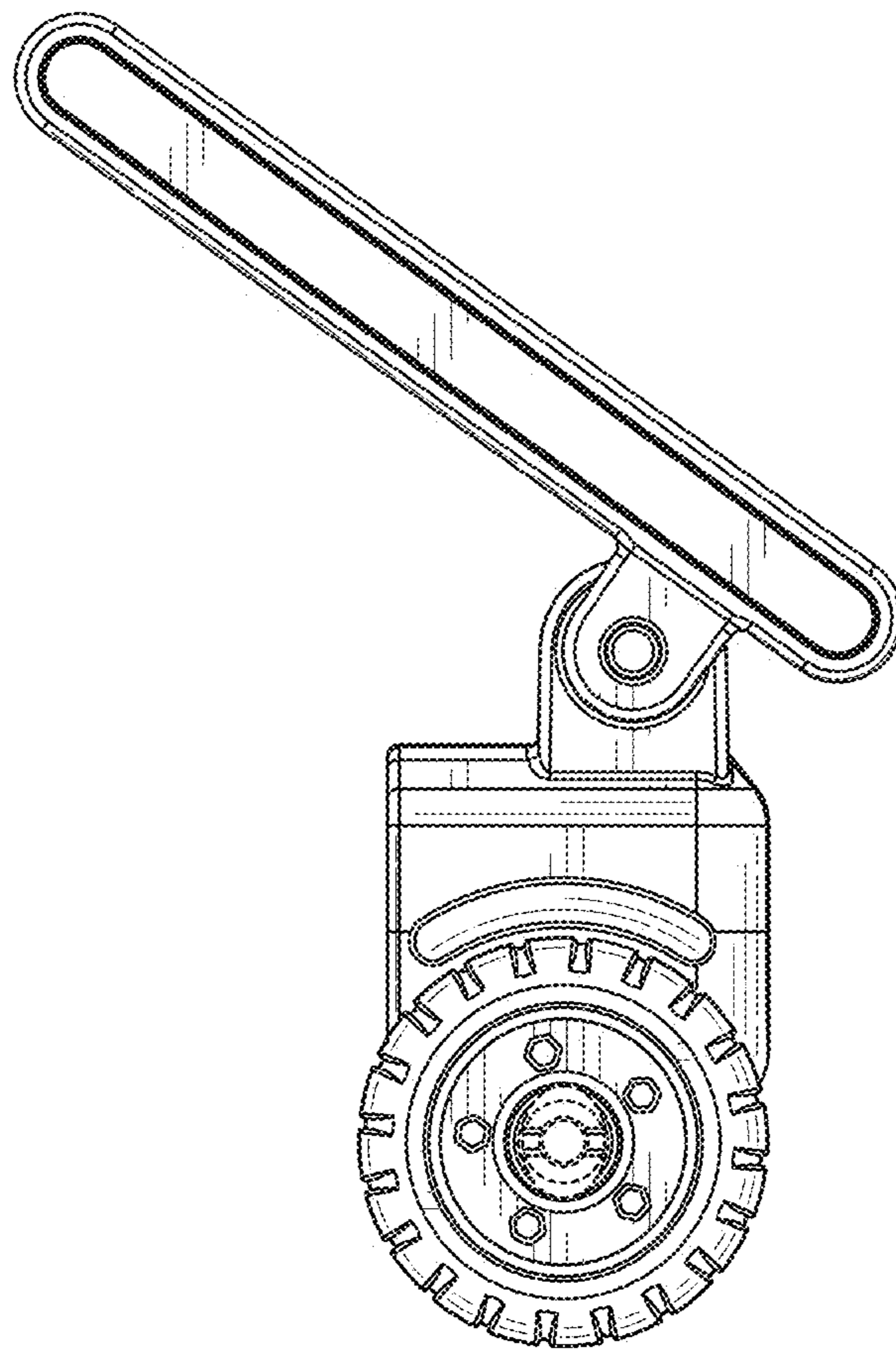


FIG. 59

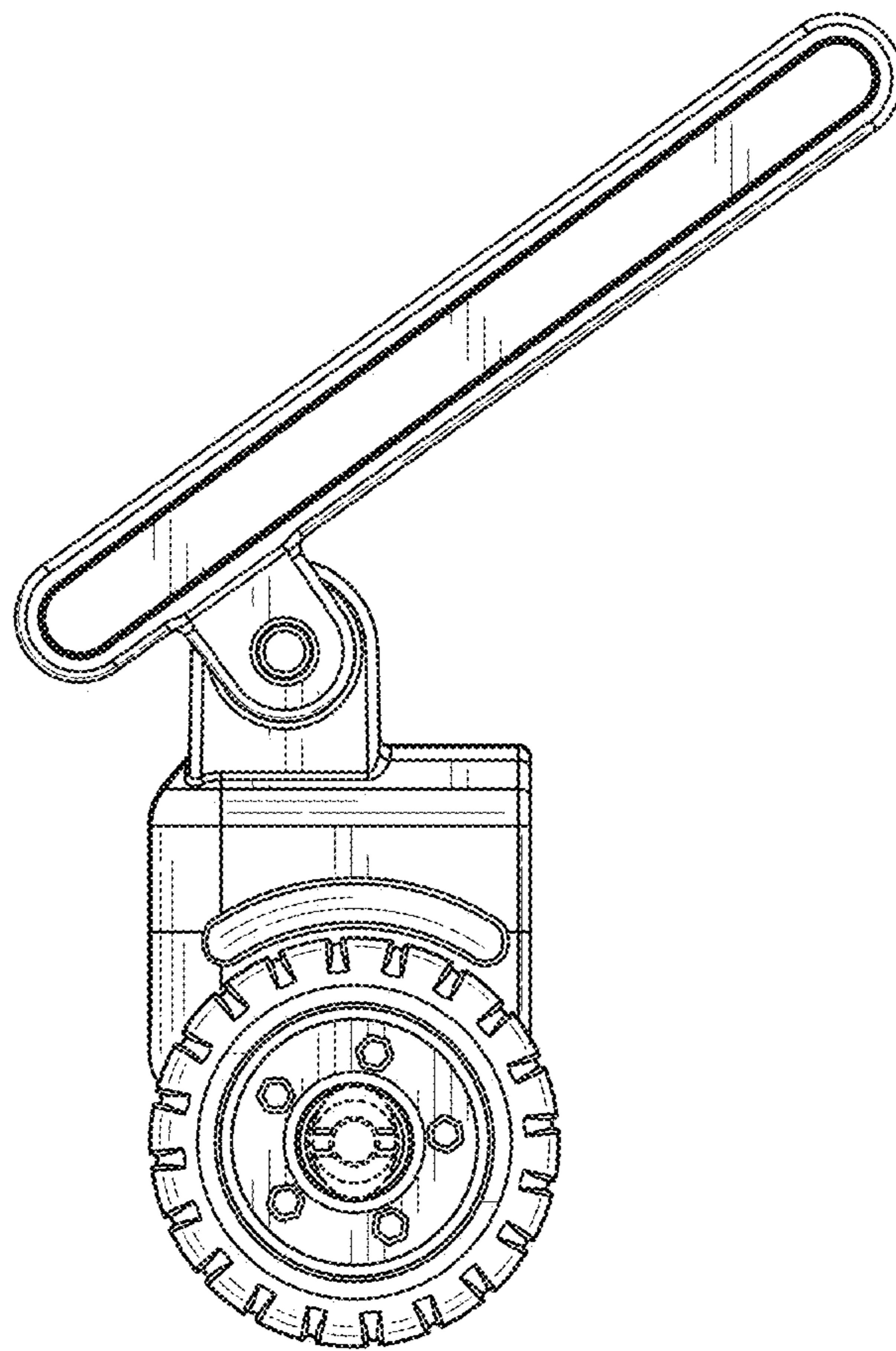


FIG. 60

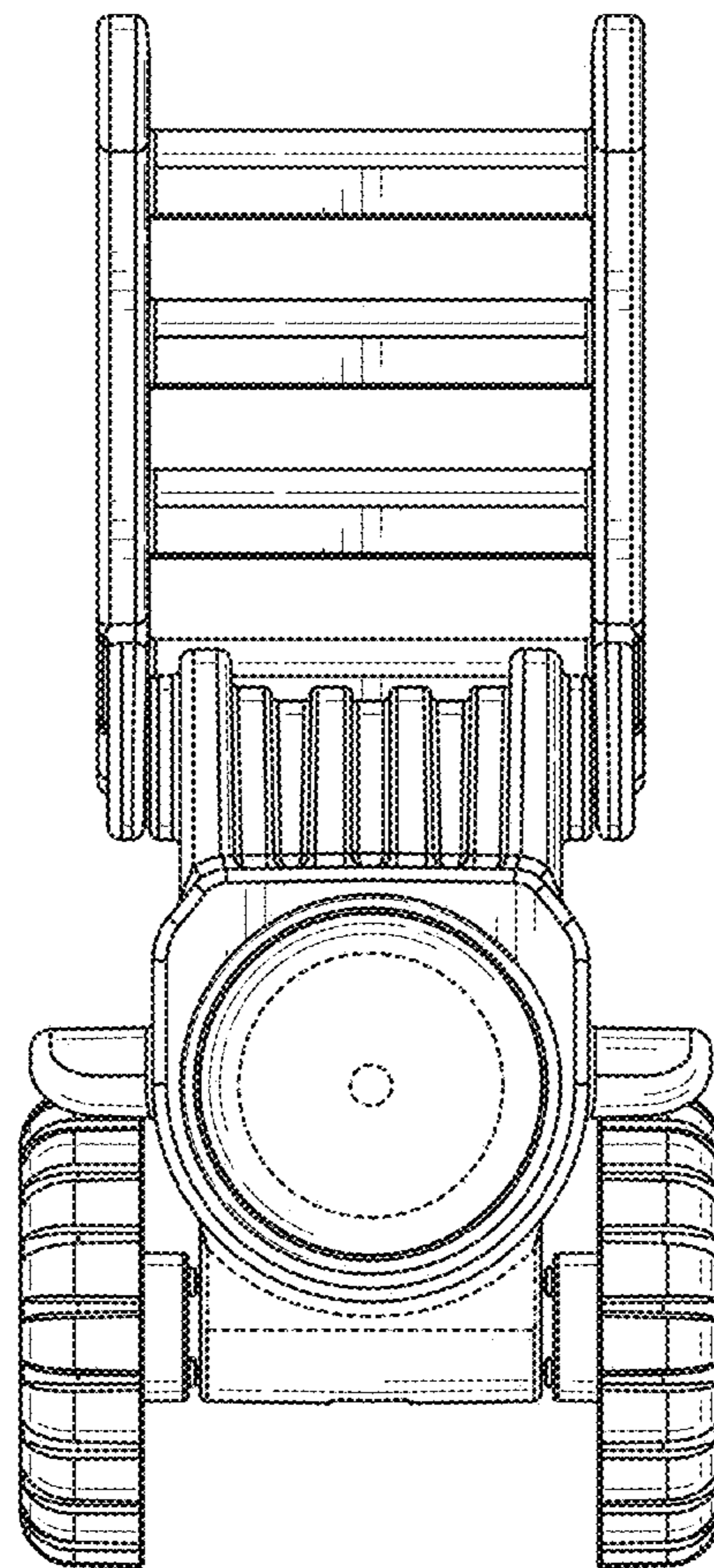


FIG. 61

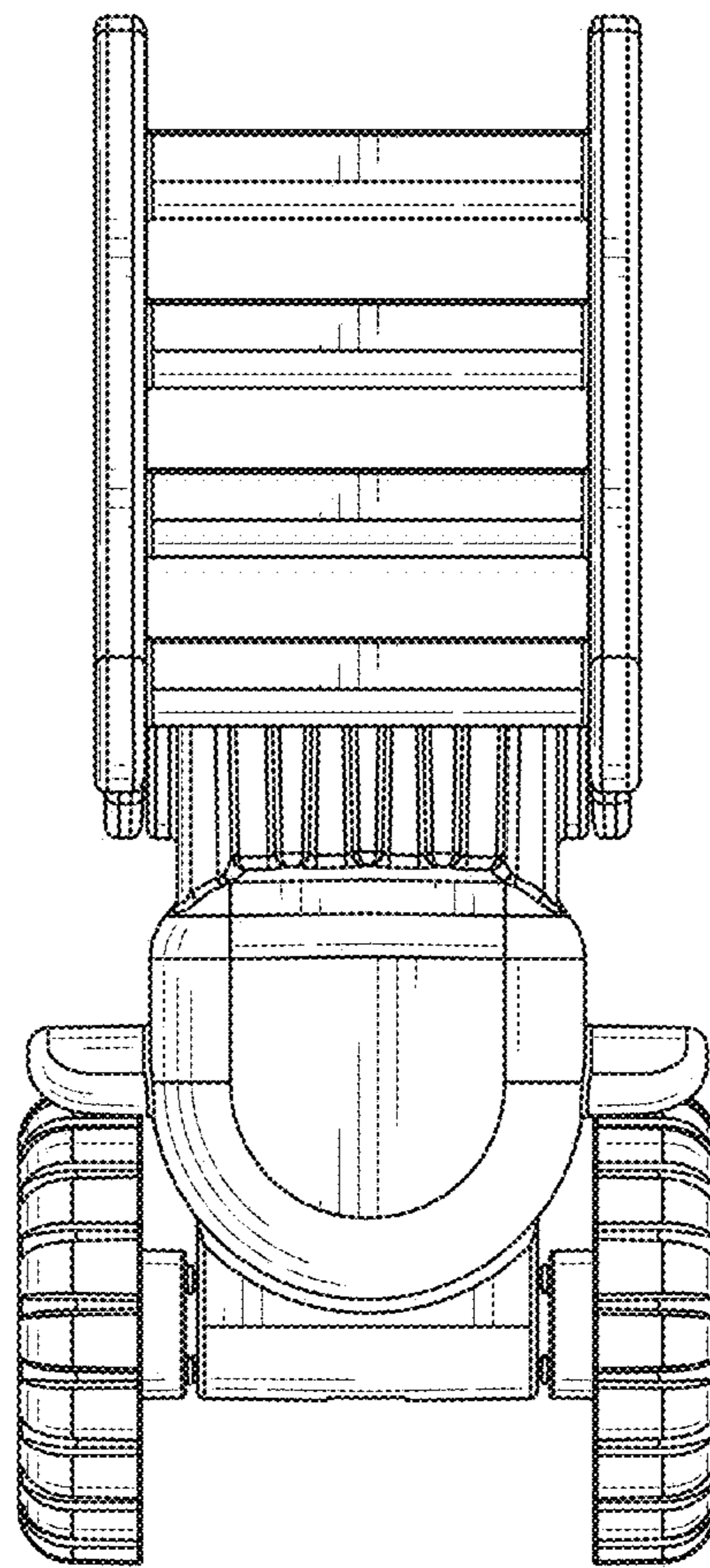


FIG. 62

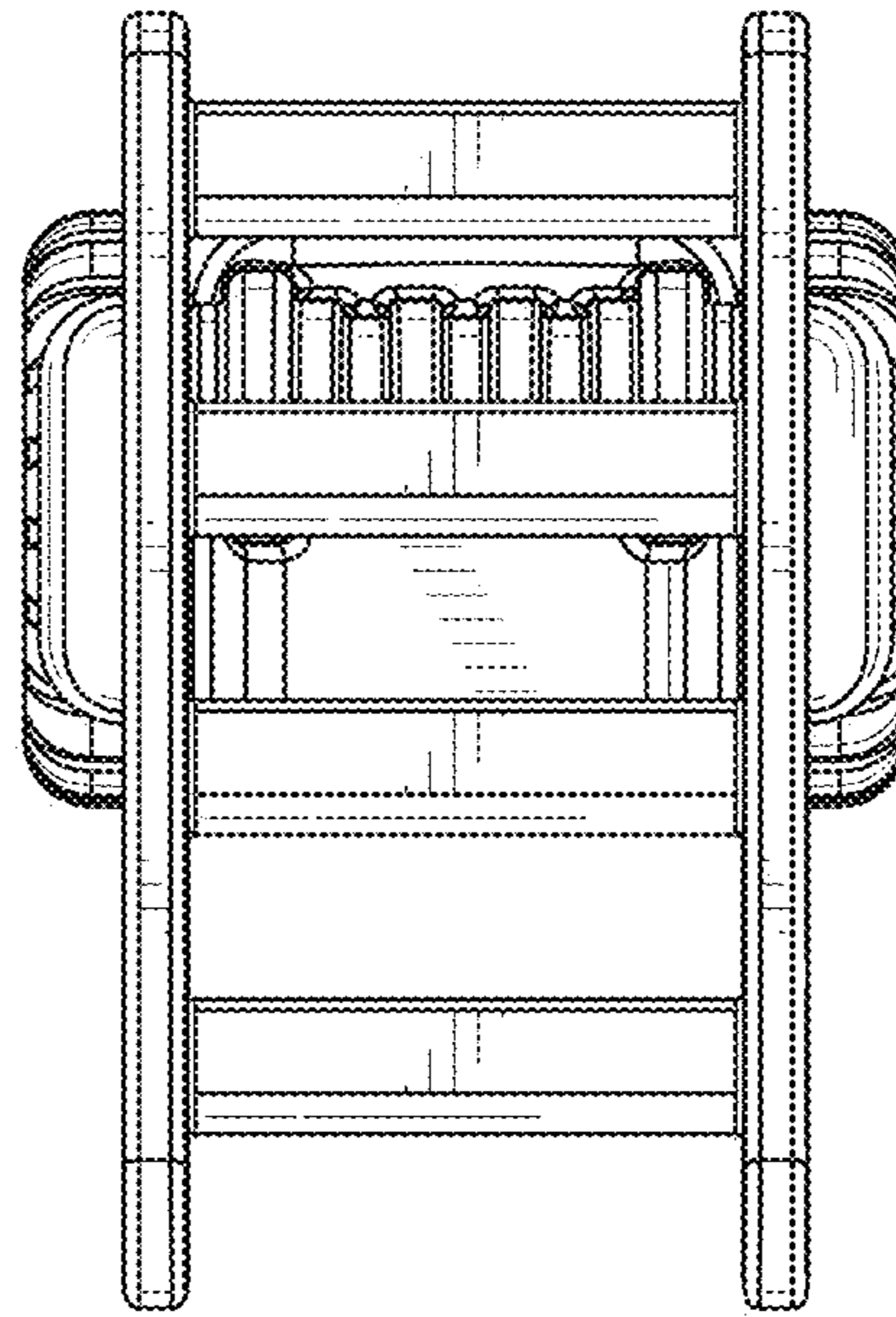


FIG. 63

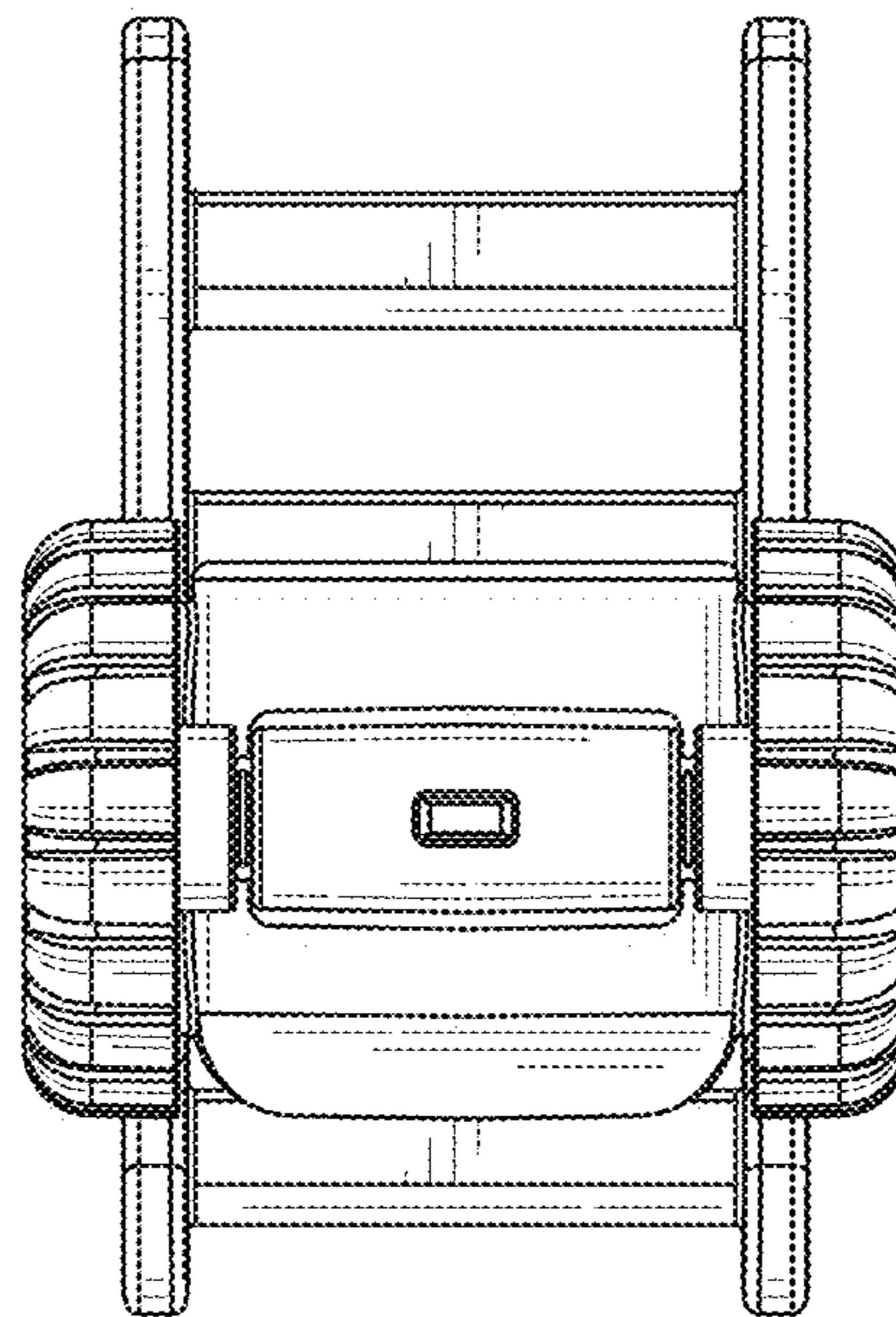


FIG. 64

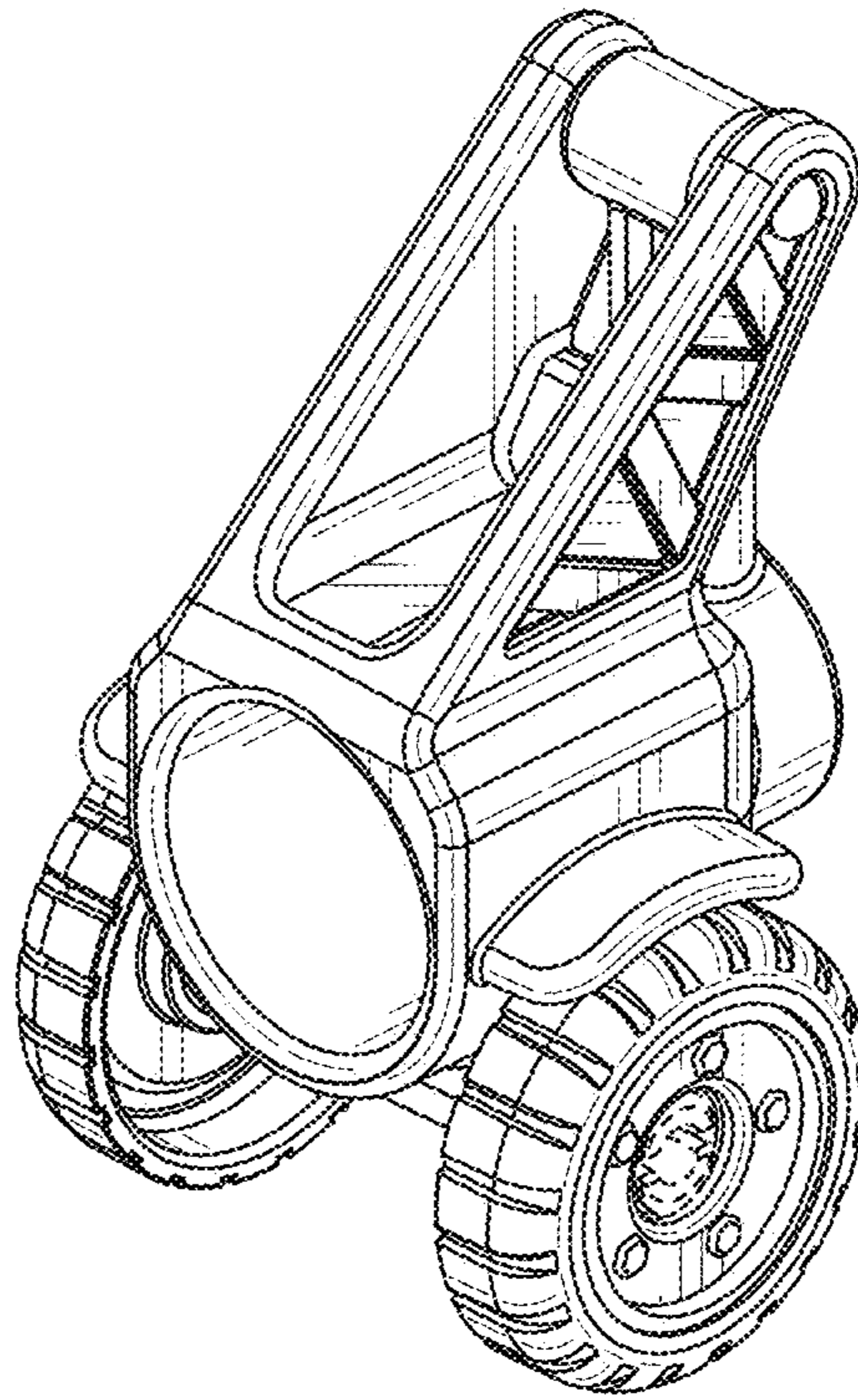


FIG. 65

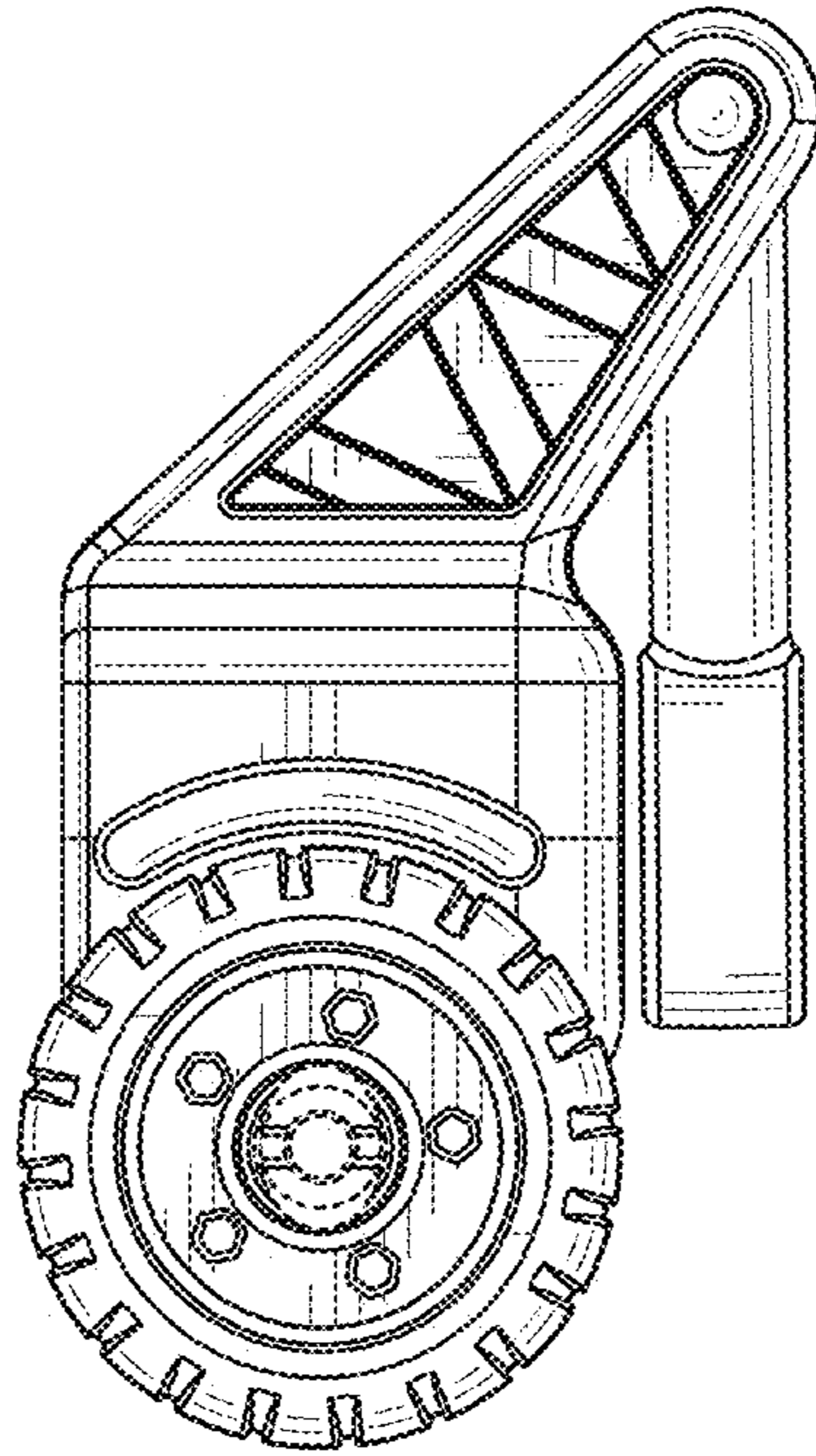


FIG. 66

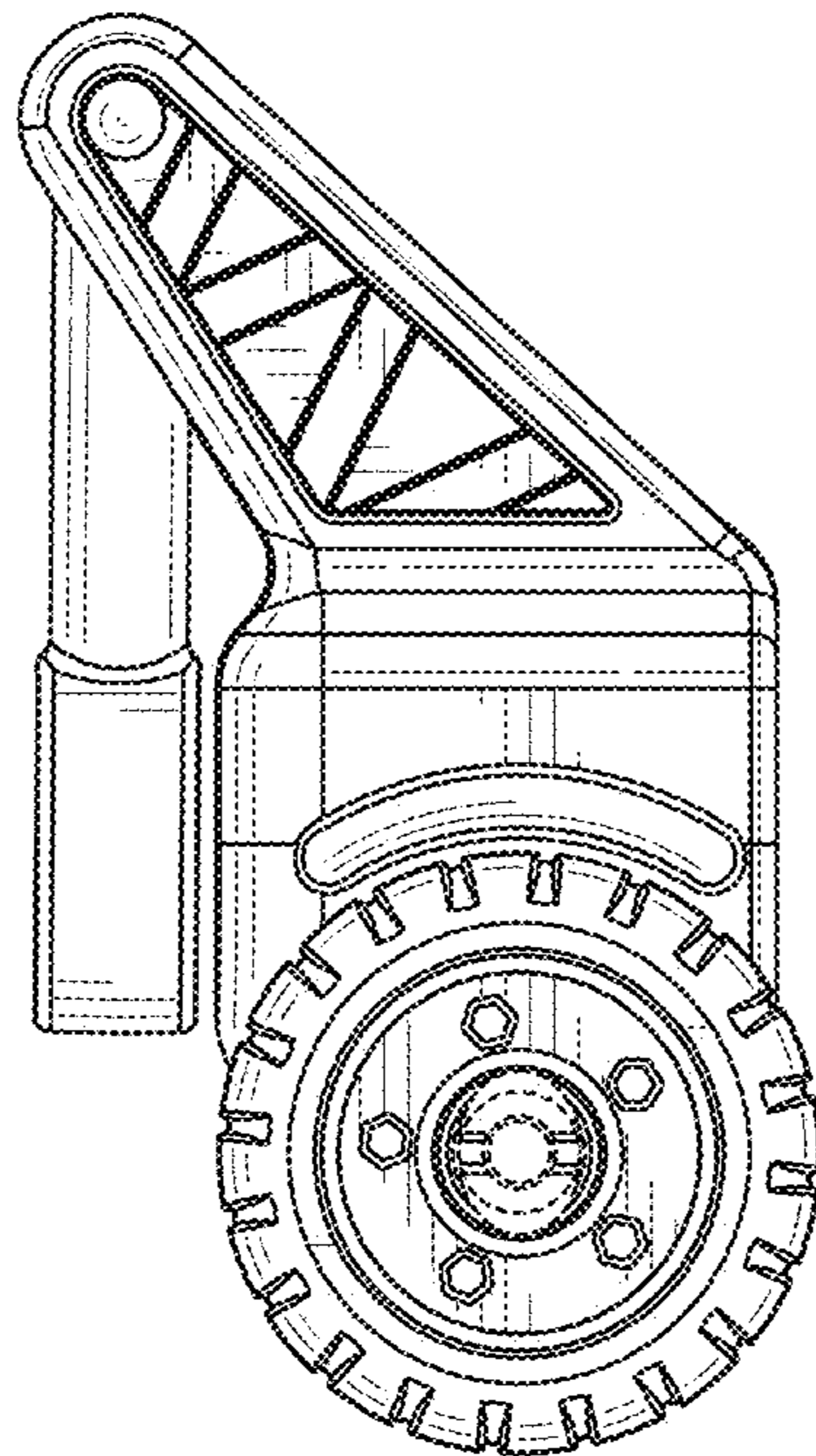


FIG. 67

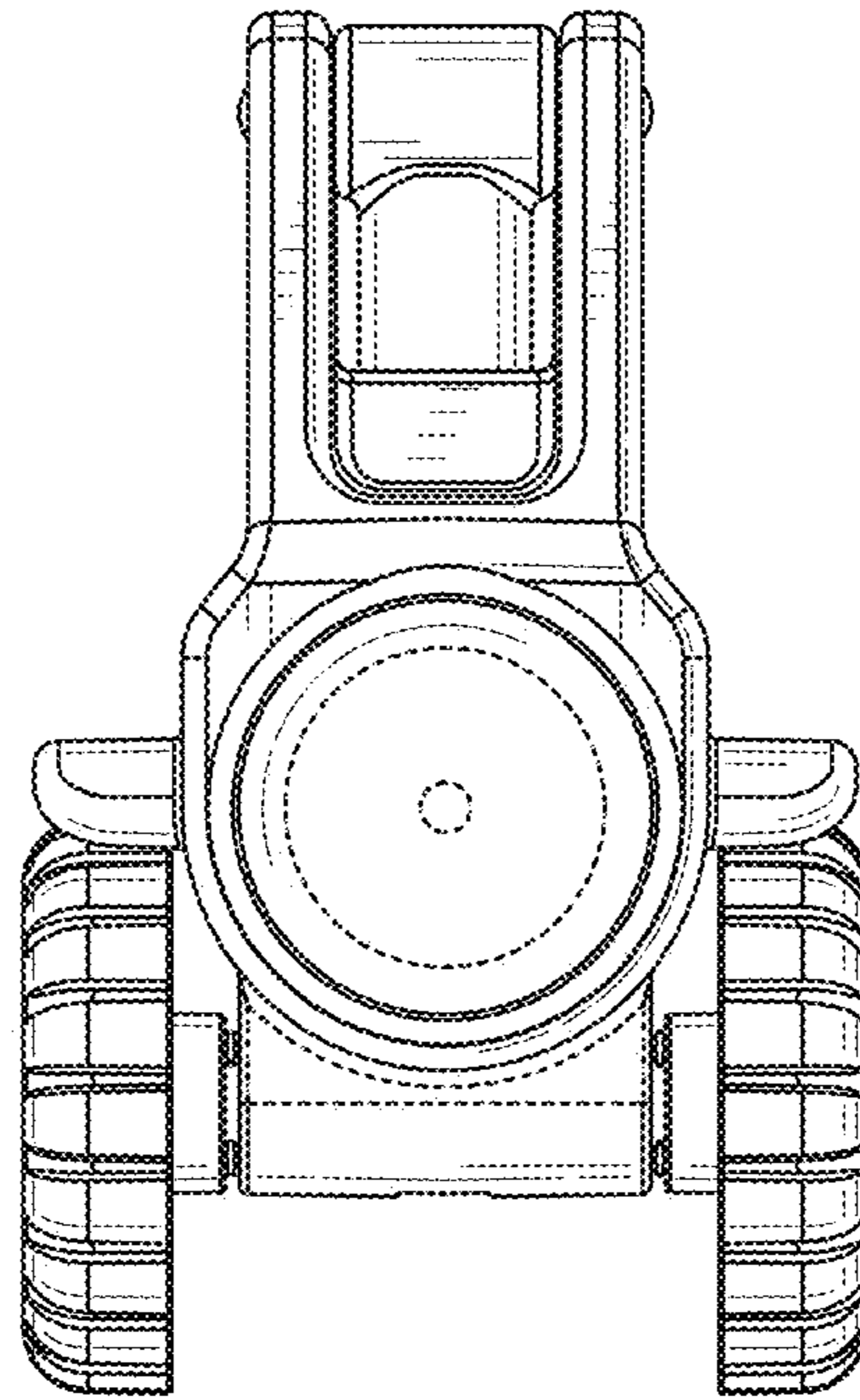


FIG. 68

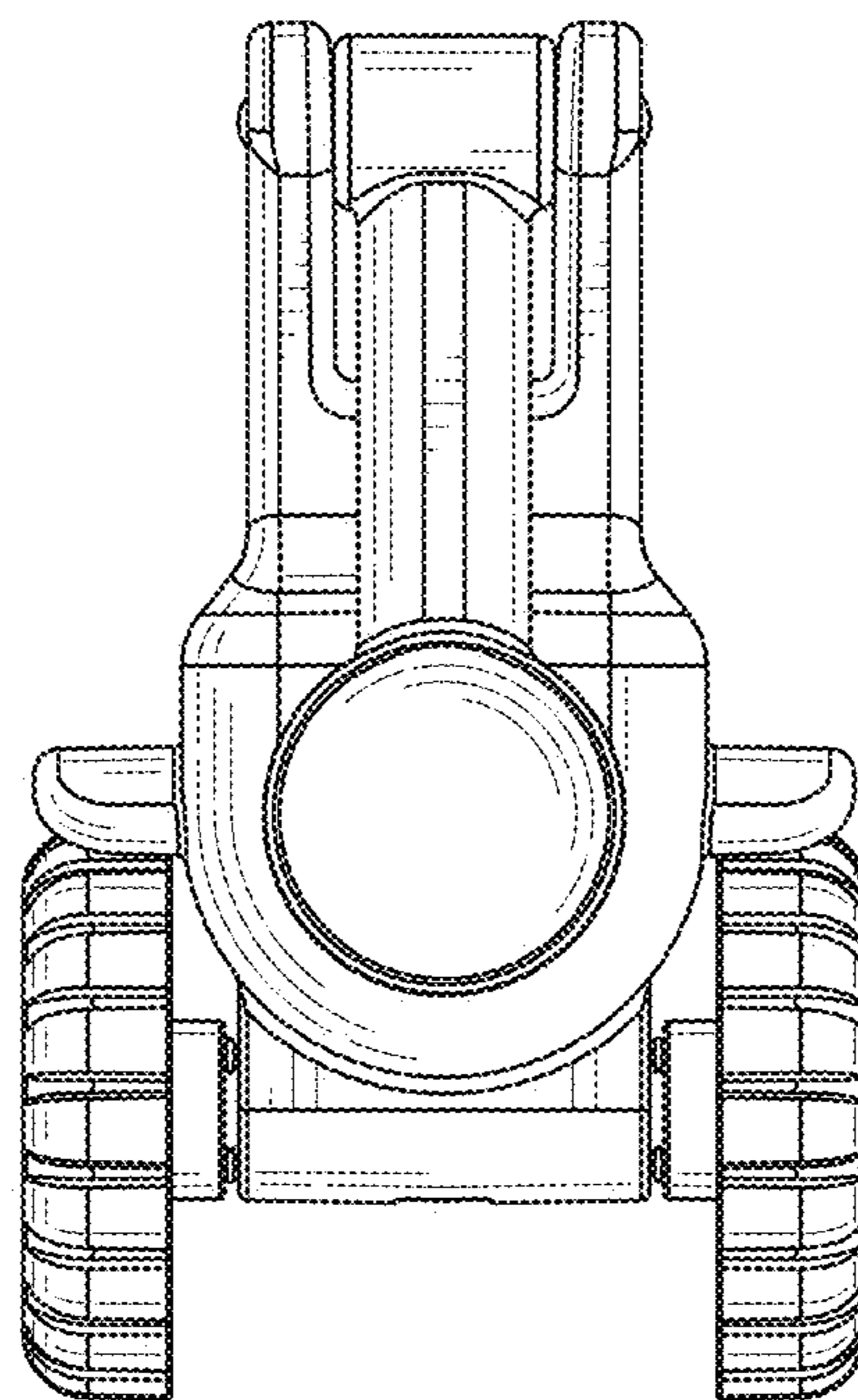


FIG. 69

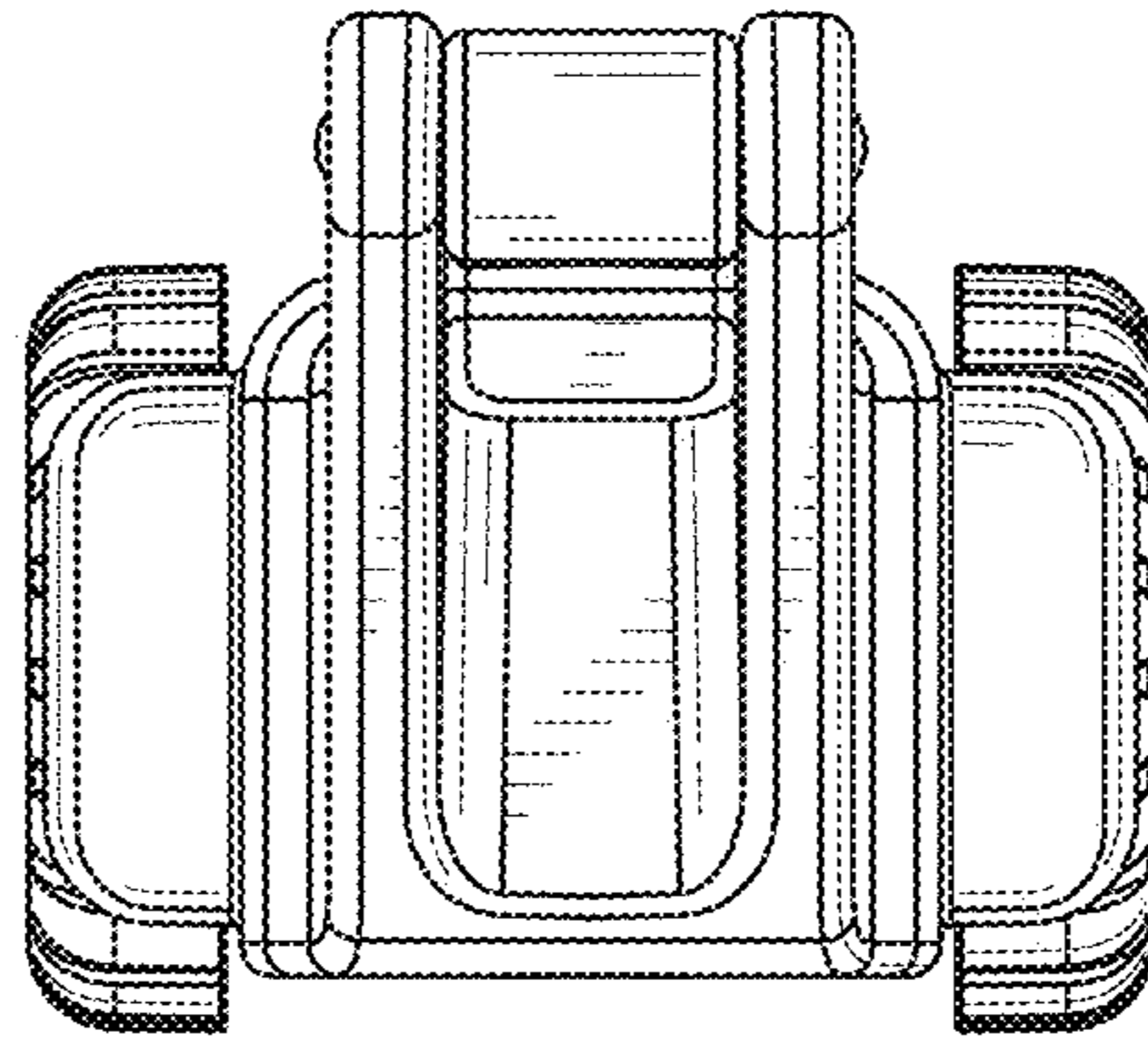


FIG. 70

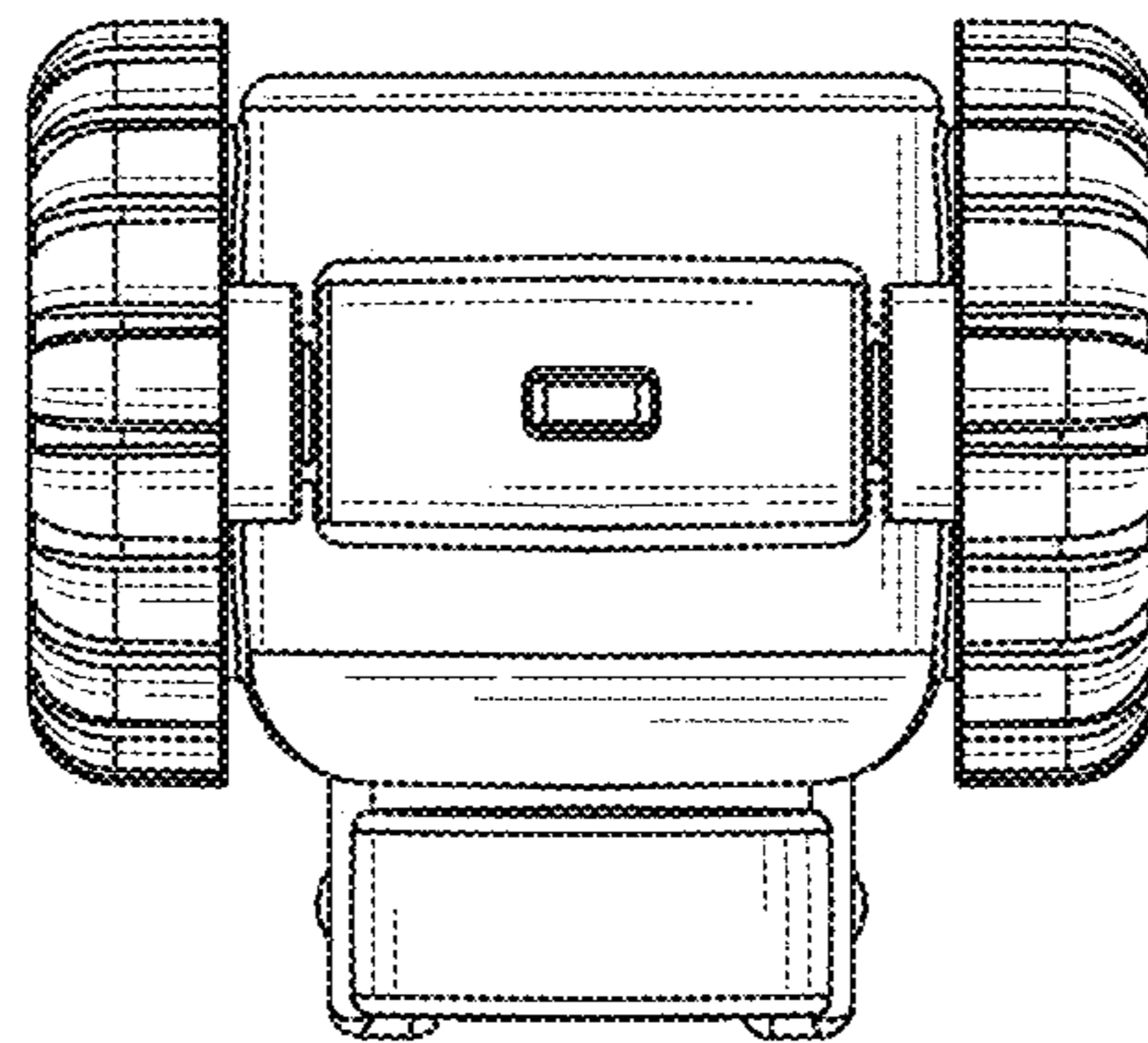


FIG. 71

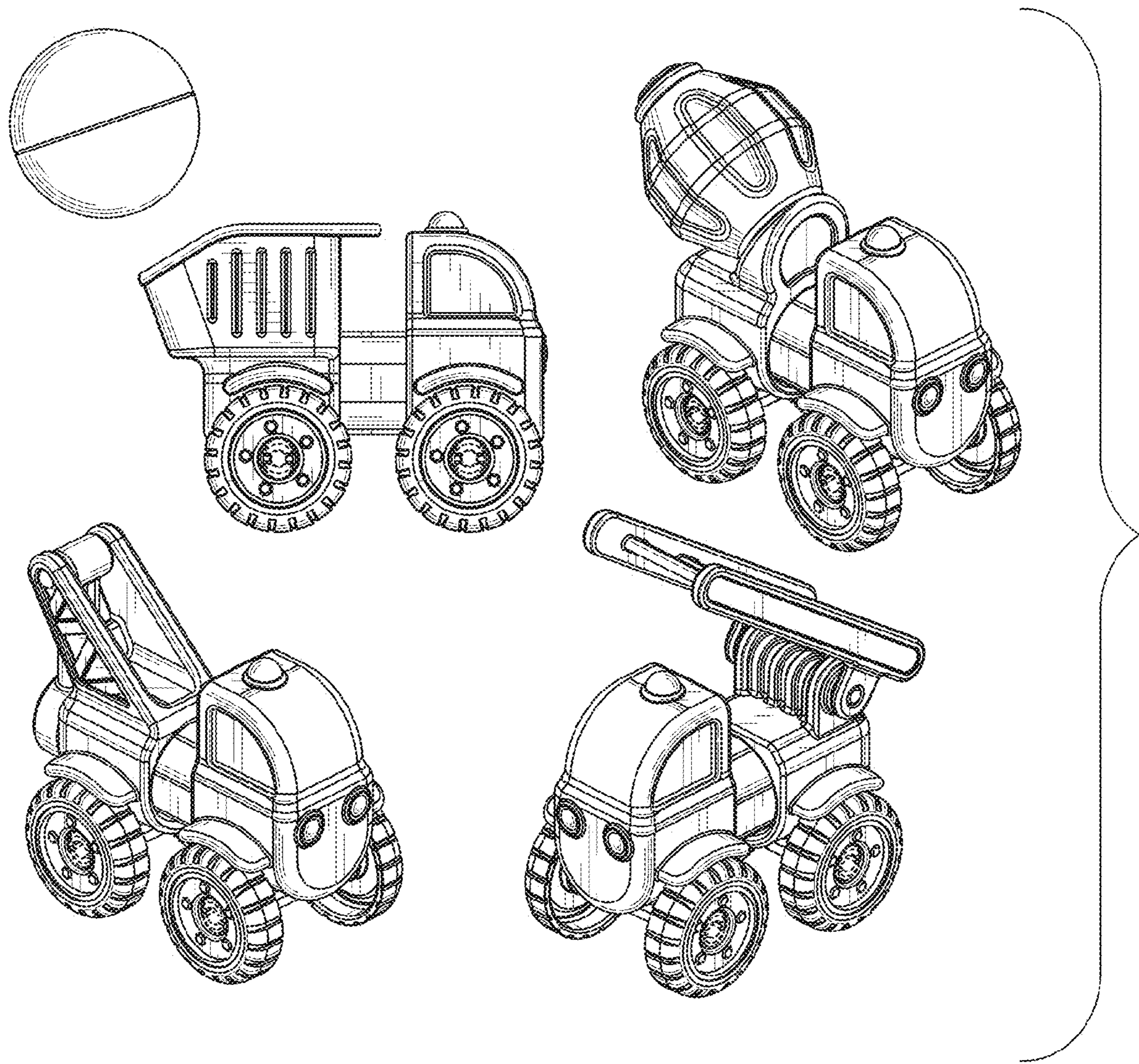


FIG. 72