



US00D982090S

(12) **United States Design Patent**  
**Chen**

(10) **Patent No.:** **US D982,090 S**

(45) **Date of Patent:** **\*\* Mar. 28, 2023**

(54) **ELECTRIC SCOOTER**

(71) Applicant: **DongGuan LvKang Energy-saving Technology Co., Ltd., Dongguan (CN)**

(72) Inventor: **Ruqian Chen, Dongguan (CN)**

(73) Assignee: **DongGuan LvKang Energy-saving Technology Co., Ltd., Dongguan (CN)**

(\*\*) Term: **15 Years**

(21) Appl. No.: **29/842,130**

(22) Filed: **Jun. 10, 2022**

(51) **LOC (14) Cl.** ..... **21-01**

(52) **U.S. Cl.**  
USPC ..... **D21/423**

(58) **Field of Classification Search**  
USPC ..... D21/419, 421, 423, 432, 435, 760, 763,  
D21/771; D12/1, 110  
CPC ..... B62K 3/002; B62K 9/00; B62K 2202/00;  
B62K 15/00; B62K 2015/001; B62K  
2015/003; B60Y 2200/126  
See application file for complete search history.

(56) **References Cited**

**U.S. PATENT DOCUMENTS**

4,842,091 A \* 6/1989 Badsey ..... B62K 3/002  
180/181  
D449,860 S \* 10/2001 Lin ..... D21/423

D489,771 S \* 5/2004 Laver ..... D21/423  
D497,397 S \* 10/2004 Sramek ..... D21/423  
D715,870 S \* 10/2014 Talios ..... D21/423  
10,189,533 B2 \* 1/2019 Lovley, II ..... B62K 11/02  
D911,454 S \* 2/2021 Yang ..... D21/423  
D914,106 S \* 3/2021 Murphy ..... D21/423  
D916,985 S \* 4/2021 Wu ..... D21/423  
D940,252 S 1/2022 Deng  
2004/0079571 A1 \* 4/2004 Laver ..... B62M 6/60  
180/180

\* cited by examiner

*Primary Examiner* — Cynthia M. Chin

(74) *Attorney, Agent, or Firm* — Nitin Kaushik

(57) **CLAIM**

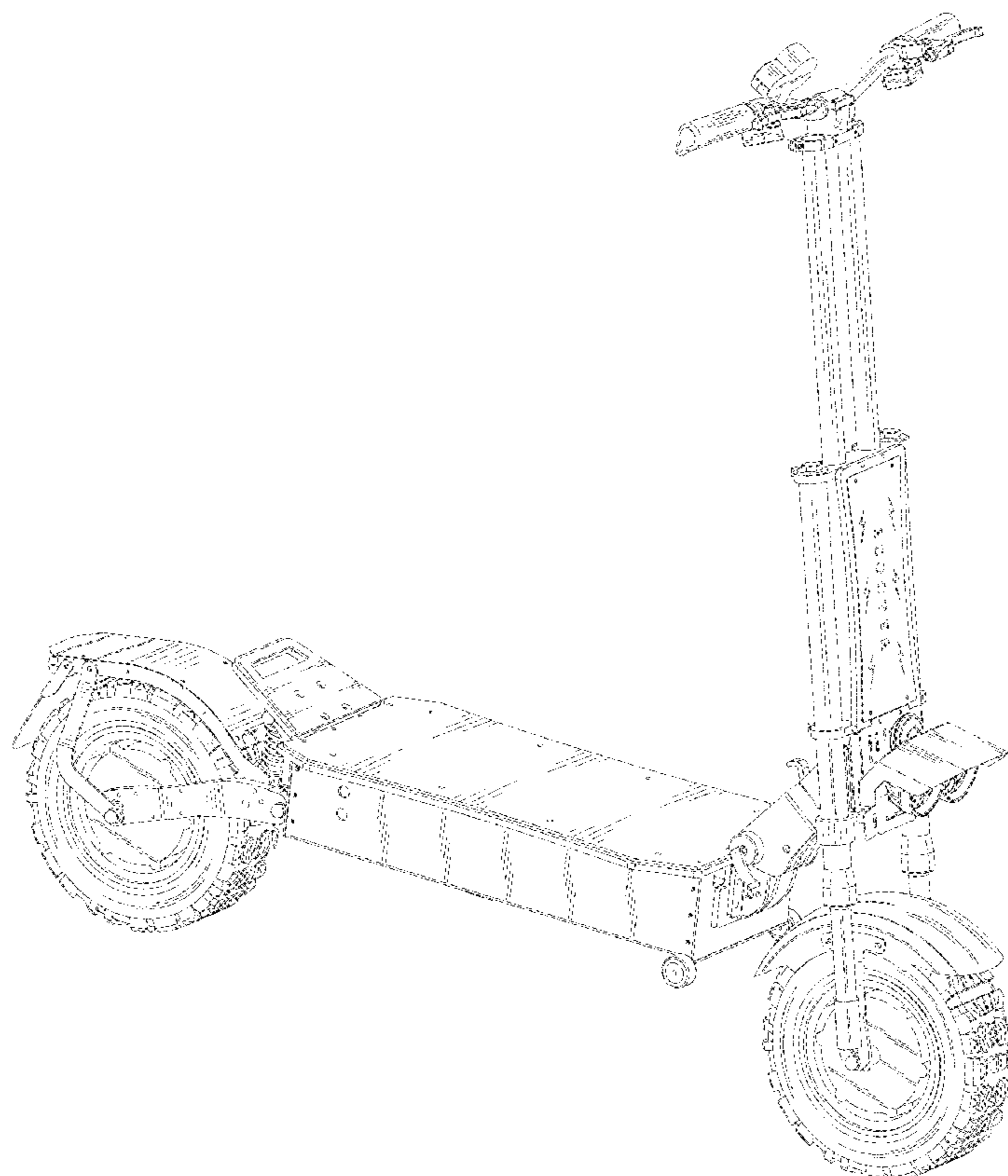
The ornamental design for an electric scooter, as shown and described.

**DESCRIPTION**

FIG. 1 is a front, top and left side perspective view of an electric scooter, showing my new design;  
FIG. 2 is a front view thereof;  
FIG. 3 is a rear view thereof;  
FIG. 4 is a left side view thereof;  
FIG. 5 is a right side view thereof;  
FIG. 6 is a top view thereof; and,  
FIG. 7 is a bottom view thereof.

The broken lines in the drawings illustrate the portions of the electric scooter, which form no part of the claimed design.

**1 Claim, 7 Drawing Sheets**



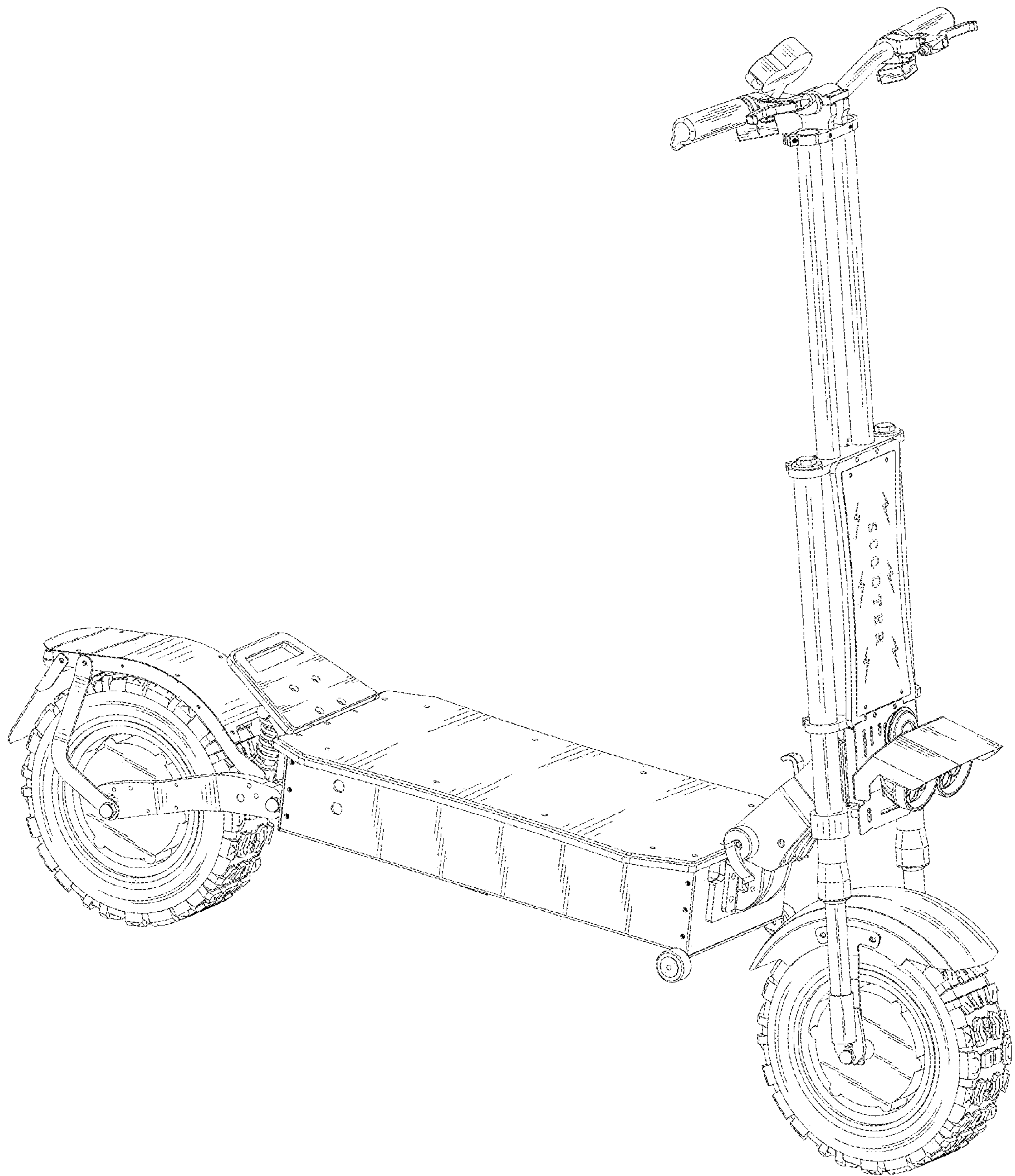


FIG. 1

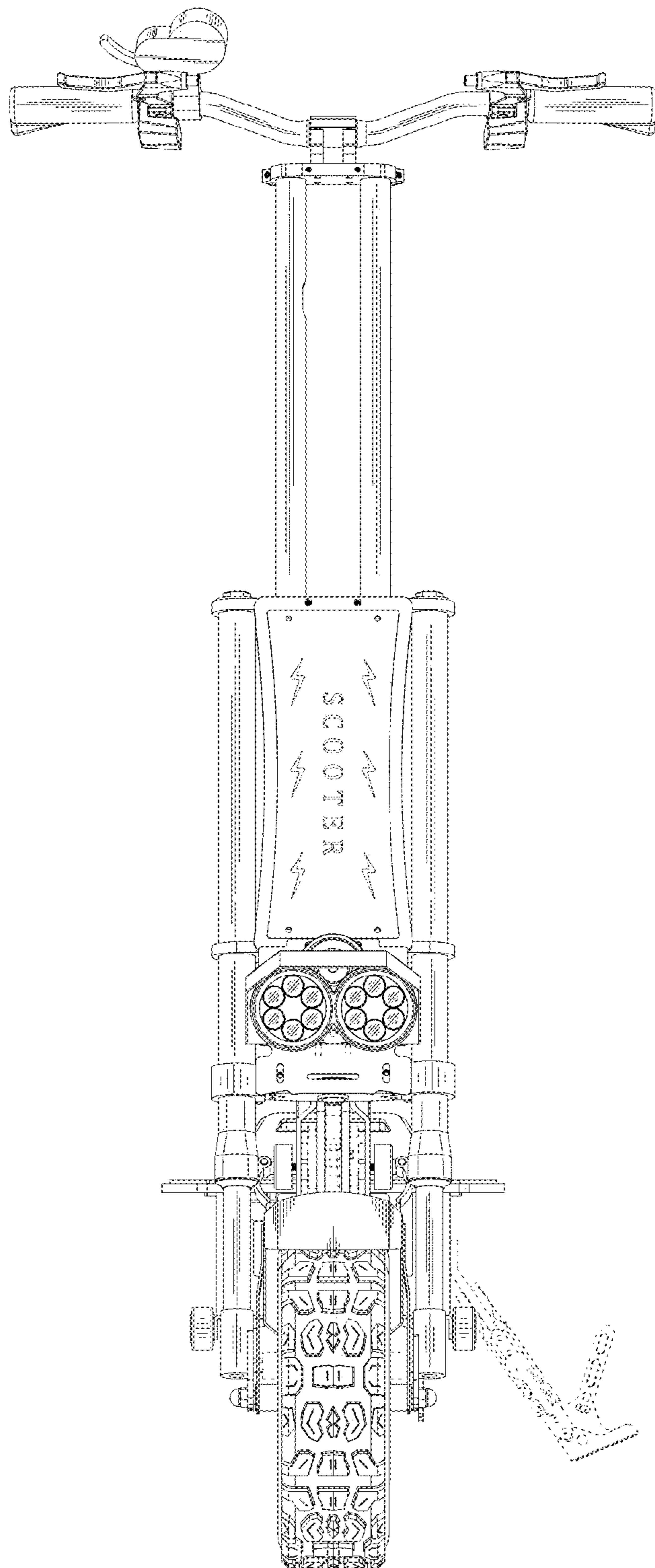


FIG. 2

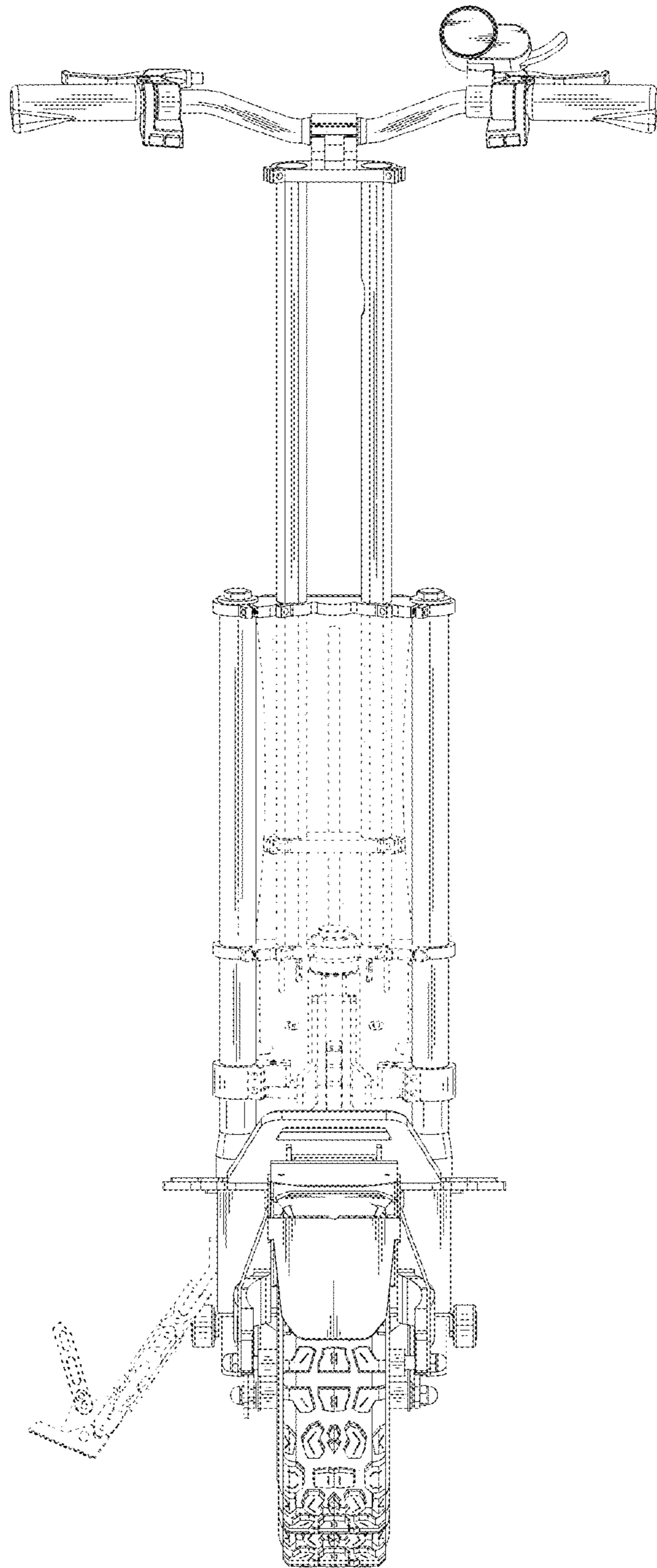


FIG. 3

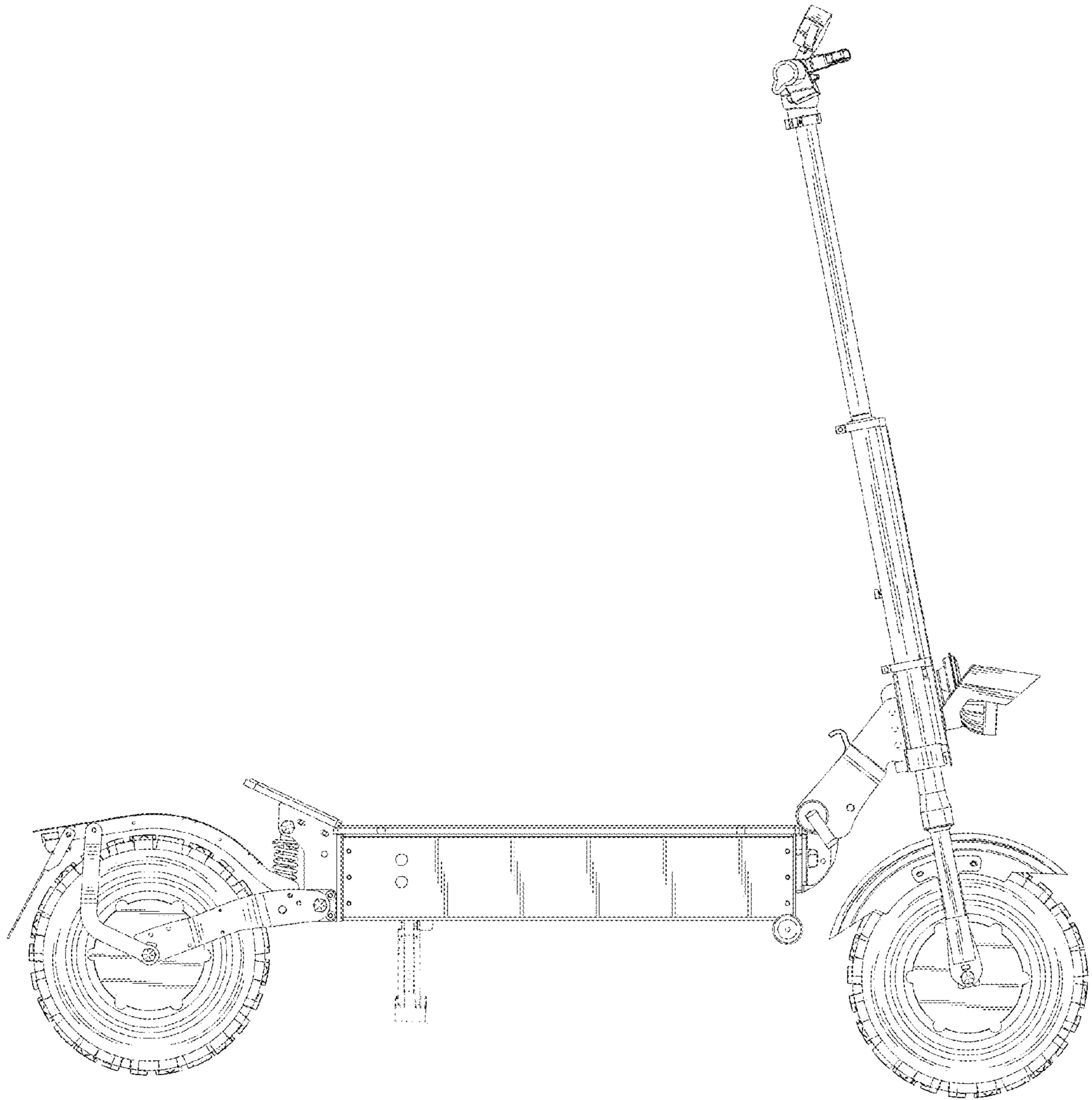


FIG. 4

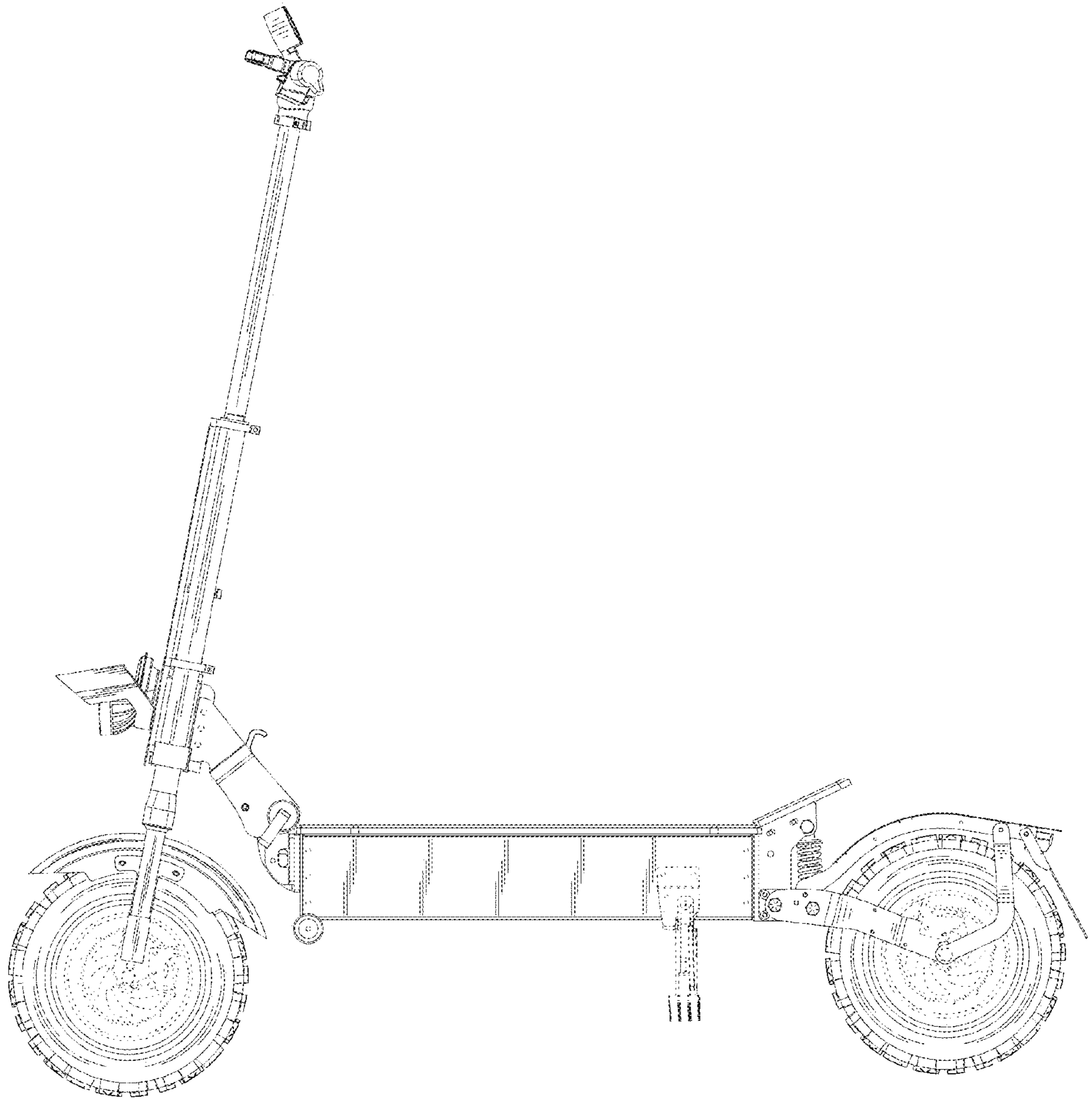


FIG. 5

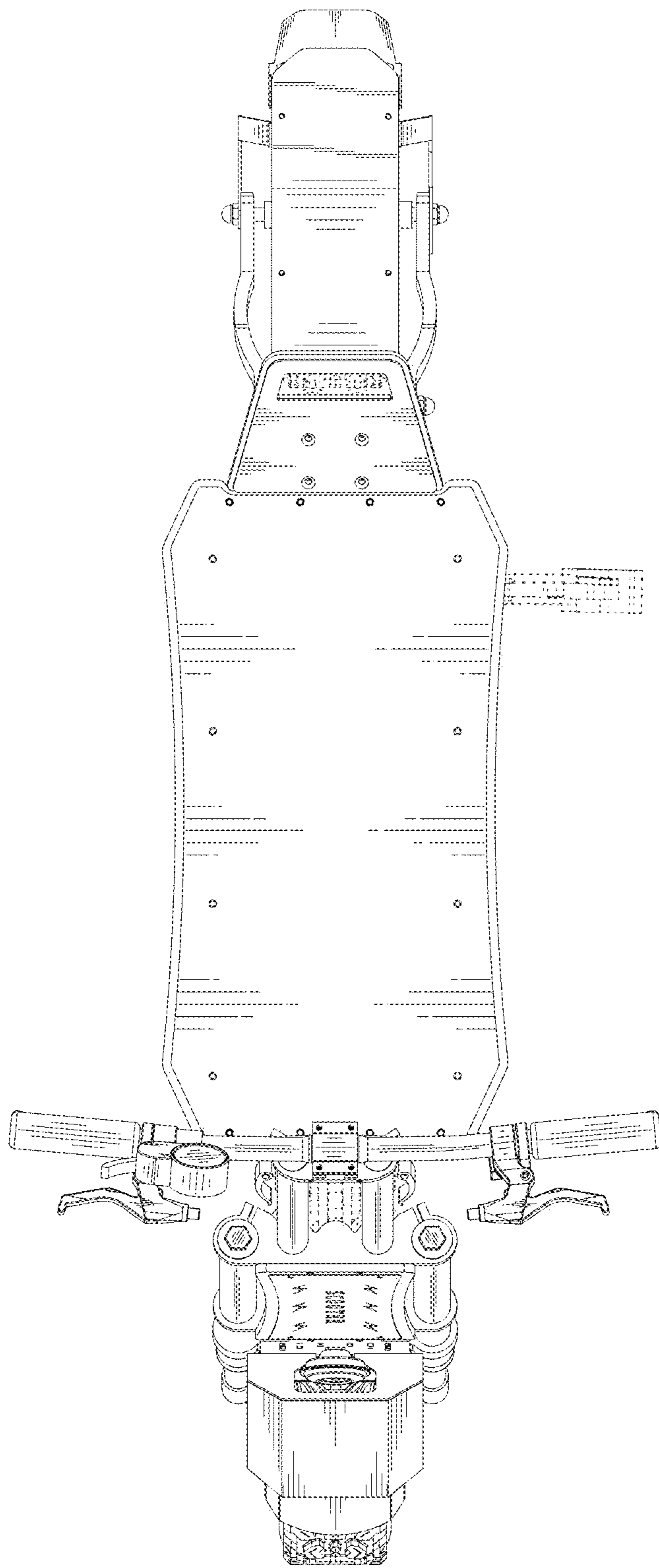


FIG. 6

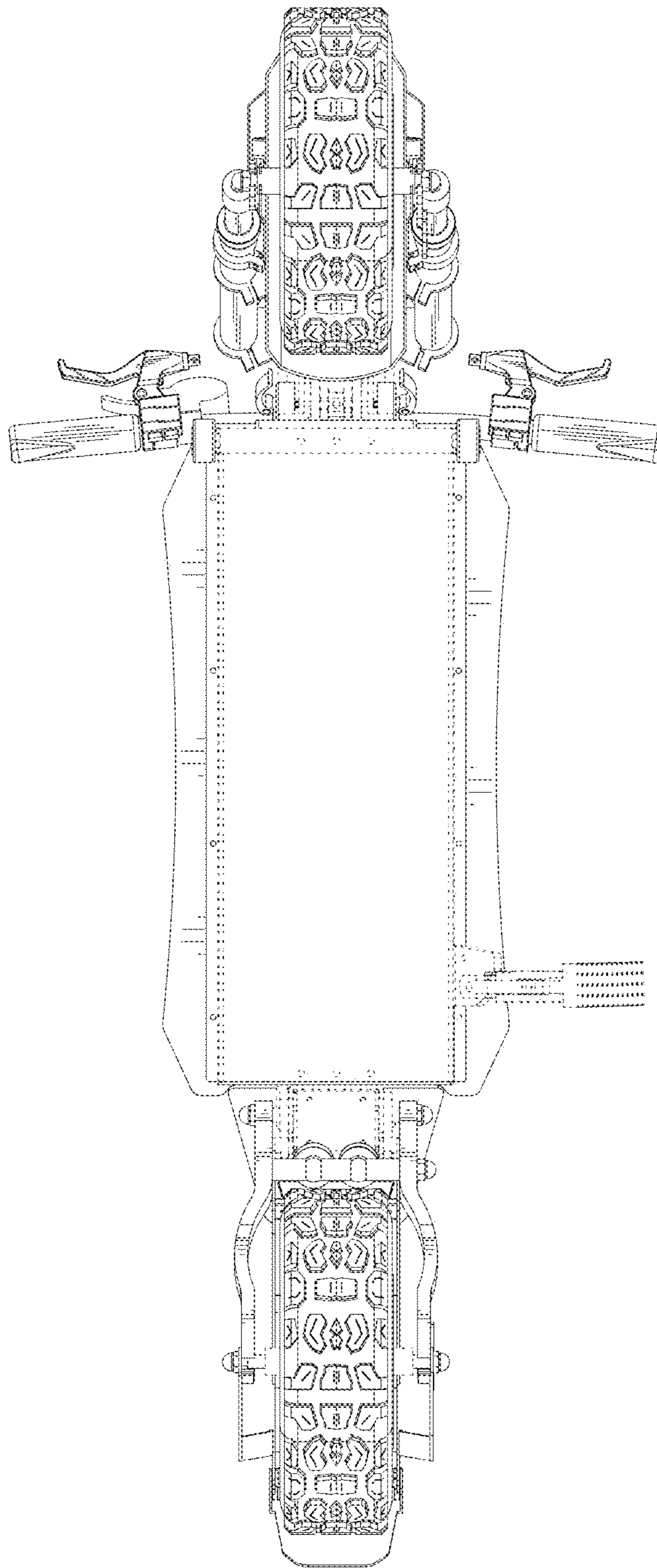


FIG. 7