



US00D982089S

(12) **United States Design Patent**
Lin

(10) **Patent No.:** **US D982,089 S**
(45) **Date of Patent:** **** Mar. 28, 2023**

(54) **SCOOTER SUITCASE**

(71) Applicant: **NINGBO PORT ZHONGDI LUGGAGE MANUFACTURING LIMITED**, Ningbo (CN)

(72) Inventor: **Weiliang Lin**, Ningbo (CN)

(73) Assignee: **NINGBO PORT ZHONGDI LUGGAGE MANUFACTURING LIMITED**, Ningbo (CN)

(**) Term: **15 Years**

(21) Appl. No.: **29/713,930**

(22) Filed: **Nov. 19, 2019**

(30) **Foreign Application Priority Data**

Sep. 27, 2019 (CN) 201930534604.8

(51) **LOC (14) Cl.** **12-11**

(52) **U.S. Cl.**
USPC **D21/423; D3/902**

(58) **Field of Classification Search**
USPC D3/201, 216, 217, 273, 274, 317, 902;
D21/419-423

(Continued)

(56) **References Cited**

U.S. PATENT DOCUMENTS

D148,266 S * 12/1947 Wheeler D21/423
D180,166 S * 4/1957 Wagner D3/268

(Continued)

FOREIGN PATENT DOCUMENTS

CN 3234009 * 5/2002
CN 301091315 * 12/2009

(Continued)

OTHER PUBLICATIONS

2020 New design scooter suitcase, available at alibaba.com, earliest date available 2020 [online], site visited Apr. 13, 2022, available

from the internet URL: https://www.alibaba.com/product-detail/2020-New-design-large-capacity-US_62524315656.html?spm=a2700.shop_plgr.41413.37.53c82fe6ibmtCL (Year: 2020).*

(Continued)

Primary Examiner — Messina L Smith

Assistant Examiner — Jillian Mazzola

(57) **CLAIM**

The ornamental design for a scooter suitcase, as shown and described.

DESCRIPTION

FIG. 1 is a perspective view of a scooter suitcase showing my new design where the scooter suitcase is in a first configuration of use;

FIG. 2 is another perspective view thereof;

FIG. 3 is a right side elevational view thereof;

FIG. 4 is a left side elevational view thereof;

FIG. 5 is a front elevational view thereof;

FIG. 6 is a rear elevational view thereof;

FIG. 7 is a top plan view thereof;

FIG. 8 is a bottom plan view thereof;

FIG. 9 is a perspective view of the scooter suitcase where the scooter suitcase is in a second configuration of use;

FIG. 10 is a perspective view of the scooter suitcase where the scooter suitcase is in a third configuration of use;

FIG. 11 is an enlarged view of portion 11 shown in FIG. 1;

FIG. 12 is an enlarged view of portion 12 shown in FIG. 1;

FIG. 13 is an enlarged view of portion 13 shown in FIG. 1;

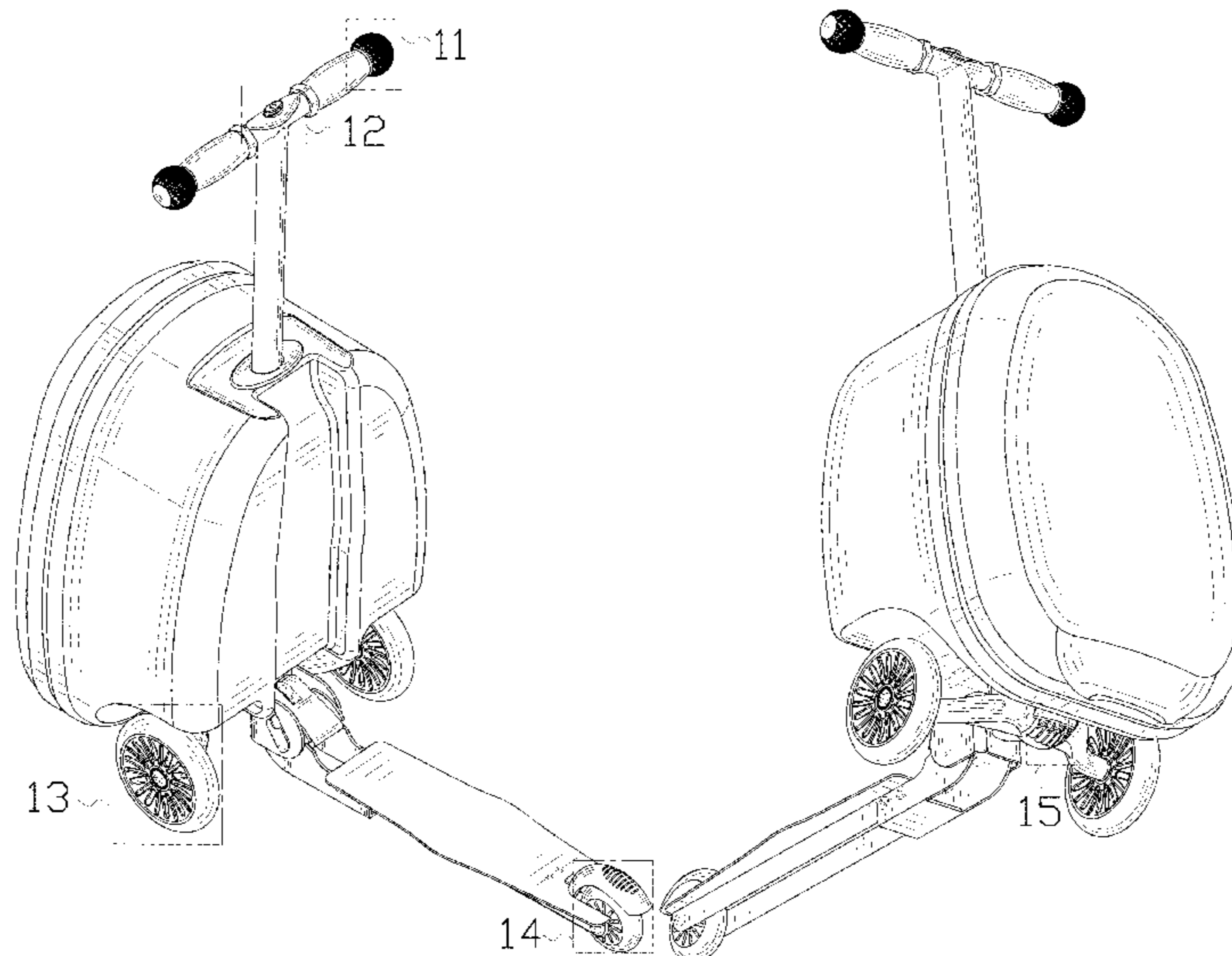
FIG. 14 is an enlarged view of portion 14 shown in FIG. 1;

FIG. 15 is an enlarged view of portion 15 shown in FIG. 2; and,

FIG. 16 is an enlarged view of portion 16 shown in FIG. 8.

The broken lines in the drawings depict portions of the scooter suitcase that form no part of the claimed design. The dot-dash broken lines encircling portions of the scooter suitcase in FIGS. 1, 2, and 8 and illustrated in enlarged views in FIGS. 1-16 form no part of the claimed design.

1 Claim, 16 Drawing Sheets



(58) **Field of Classification Search**

CPC A45C 5/03; A45C 2005/032; A45C 2005/035; A45C 2005/037; A45C 7/0018; A45C 7/0022; A45C 2009/005

See application file for complete search history.

2003/0038008	A1*	2/2003	Han	A45C 3/00 190/102
2010/0044174	A1*	2/2010	Graf Von Bismarck	B62B 3/001 190/115
2011/0155527	A1*	6/2011	Veal	A45C 9/00 280/200
2018/0160783	A1*	6/2018	Lee	A45C 5/14

(56) **References Cited**

U.S. PATENT DOCUMENTS

3,332,700	A *	7/1967	Walker	B62K 3/002 280/87.021
D247,584	S *	3/1978	Godwin	D21/423
D268,938	S *	5/1983	Carmagnola	D21/423
D295,991	S *	5/1988	Hanna	D21/423
D339,388	S *	9/1993	Oswald	D21/423
D417,472	S *	12/1999	Caban	D21/423
D448,161	S *	9/2001	Holodnicki	D3/217
D469,952	S *	2/2003	Daglow	D3/217
D577,490	S *	9/2008	Chen	D3/318
D594,792	S *	6/2009	Shimodaira	D21/423
D604,953	S *	12/2009	Chu	D3/318
D651,794	S *	1/2012	Hargens	D3/232
D663,119	S *	7/2012	Wright	D3/274
D698,868	S *	2/2014	Chan	D21/423
9,033,350	B2 *	5/2015	Porri	A45C 5/146 280/37
D742,638	S *	11/2015	Melanson	D3/289
D758,076	S *	6/2016	Boer	D3/274
D833,538	S *	11/2018	Evans	D12/1
D846,267	S *	4/2019	Lian	D3/217
D873,000	S *	1/2020	Terlikowski	D3/274
D930,754	S *	9/2021	Singh	D21/423

FOREIGN PATENT DOCUMENTS

CN	303242368	*	6/2015
CN	303991726	*	1/2017
GB	6078053	*	11/2019

OTHER PUBLICATIONS

Zhongdi Post, available at facebook.com, posted Jun. 5, 2020 [online], site visited Apr. 13, 2022, available from the internet URL: <https://www.facebook.com/101724624912557/photos/pb.101724624912557.-2207520000../101740018244351/?type=3&theater> (Year: 2020).*

Zinc Flyte Kids Luggage Scooter 18" Carry-on—Pacific Blue, available at walmart.com, earliest customer review date May 21, 2019 [online], site visited Apr. 13, 2022, available from the internet URL: <https://www.walmart.com/ip/Zinc-Flyte-Kids-Luggage-Scooter-18-Carry-on-Unicorn/755021678> (Year: 2019).*

Kiddietotes Ride On Suitcase Scooter, available at amazon.com, earliest customer review date Dec. 26, 2019 [online], site visited Apr. 13, 2022, available from the internet URL: <https://www.amazon.com/dp/B07Z5J35KJ?> (Year: 2019).*

* cited by examiner

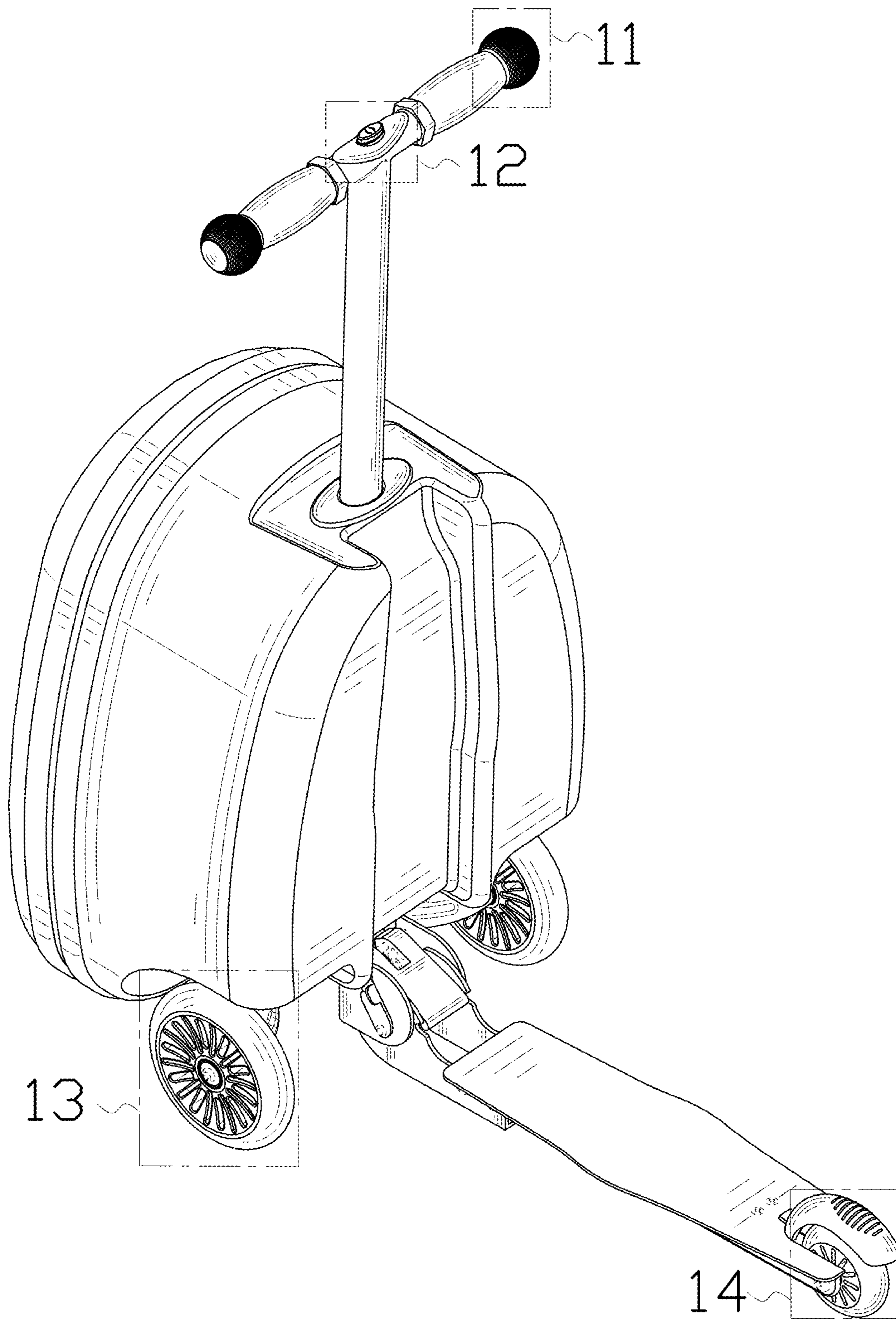


FIG. 1

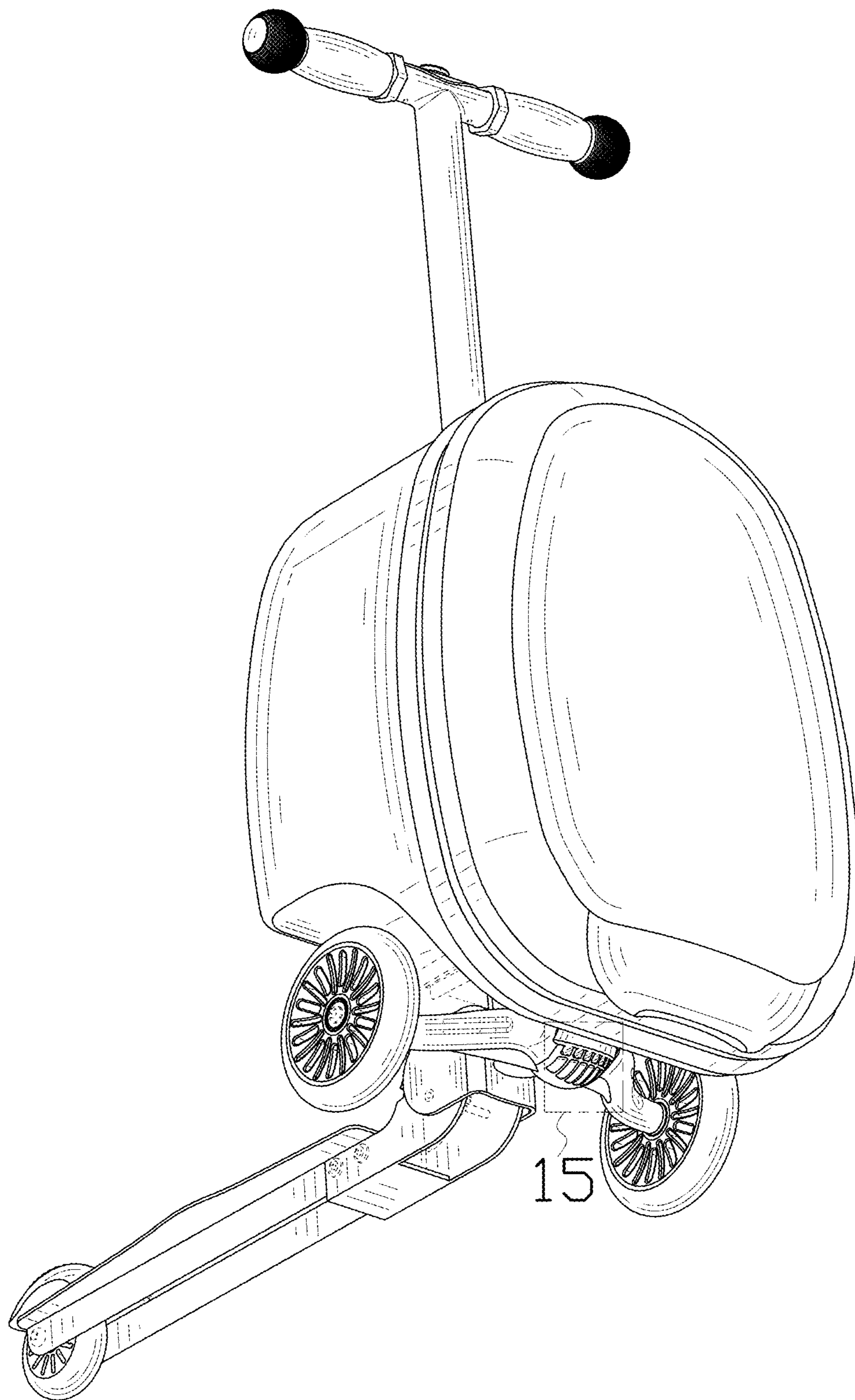


FIG. 2

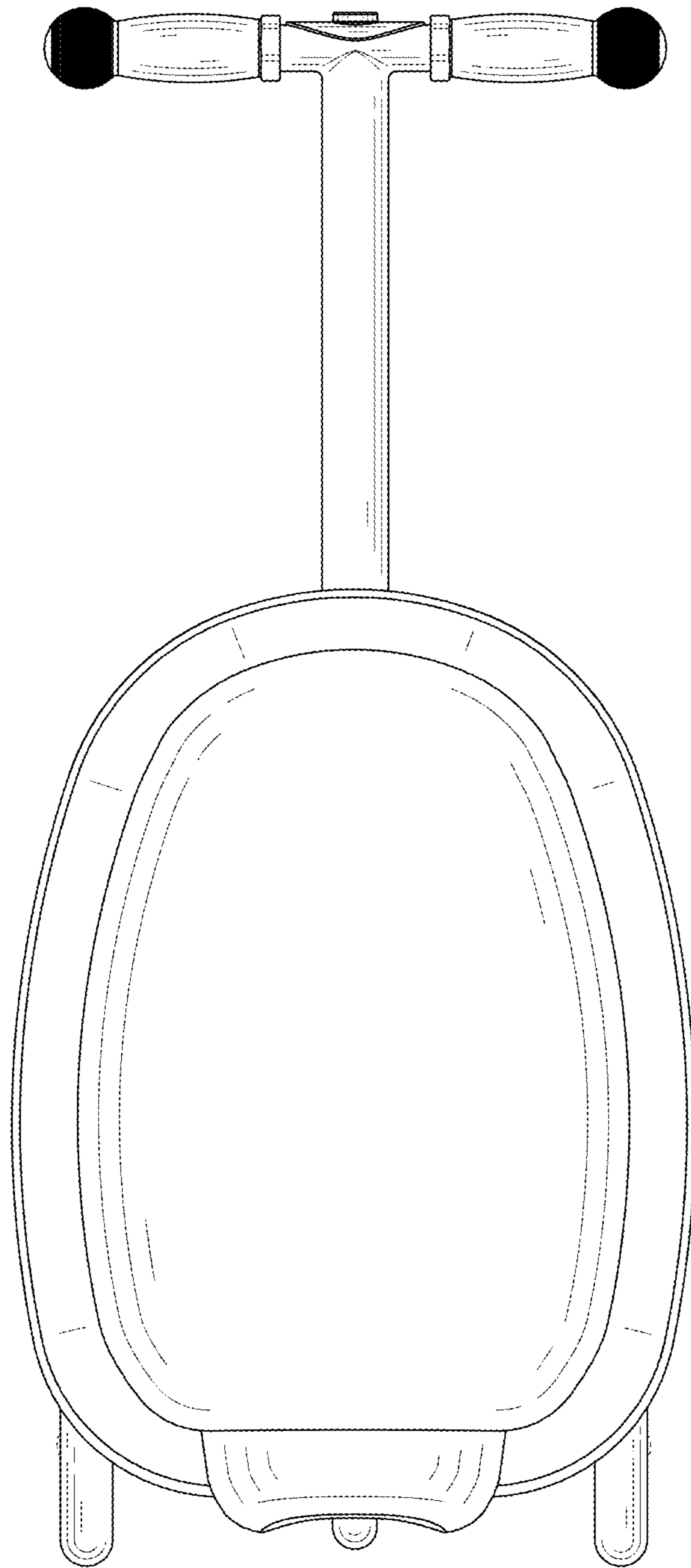


FIG. 3

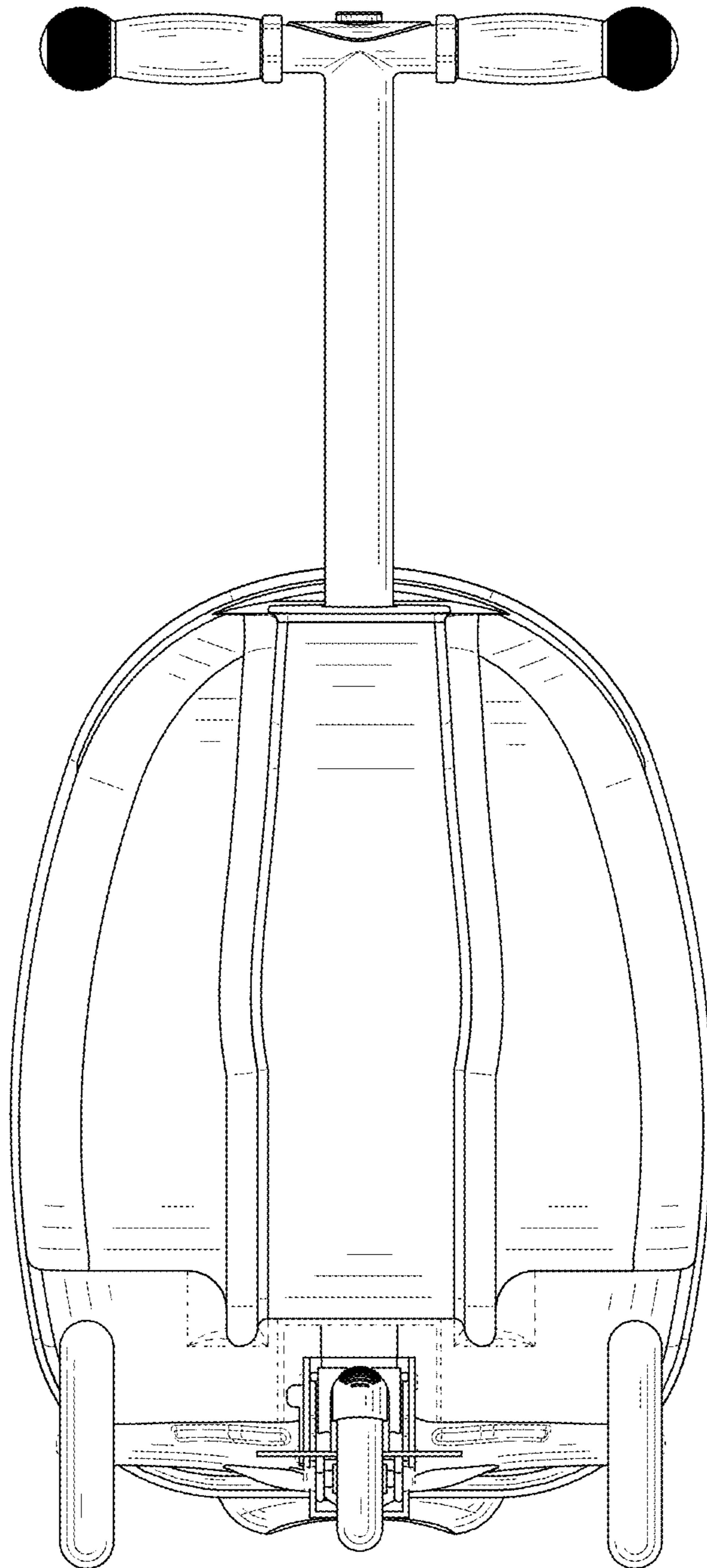


FIG. 4

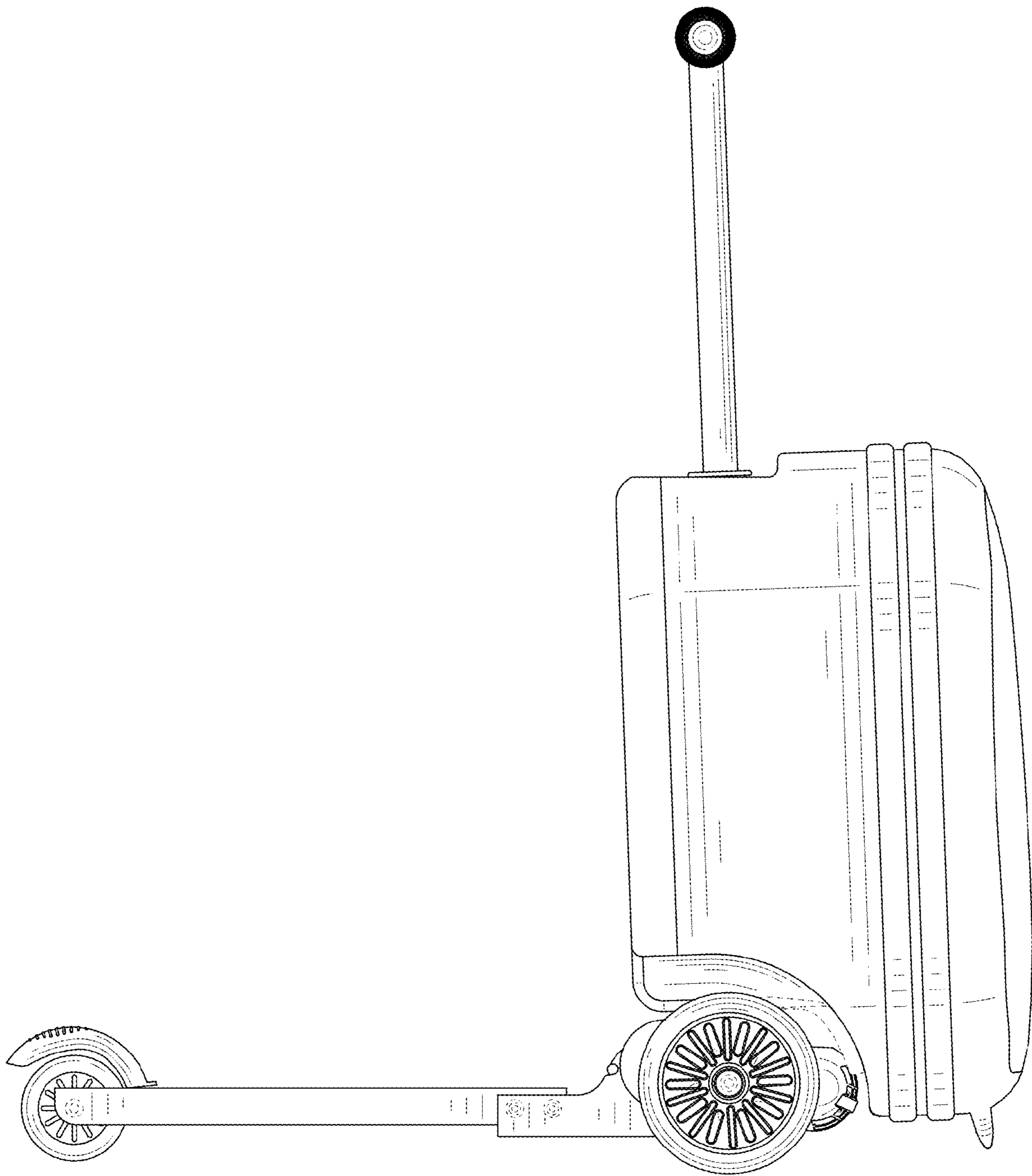


FIG. 5

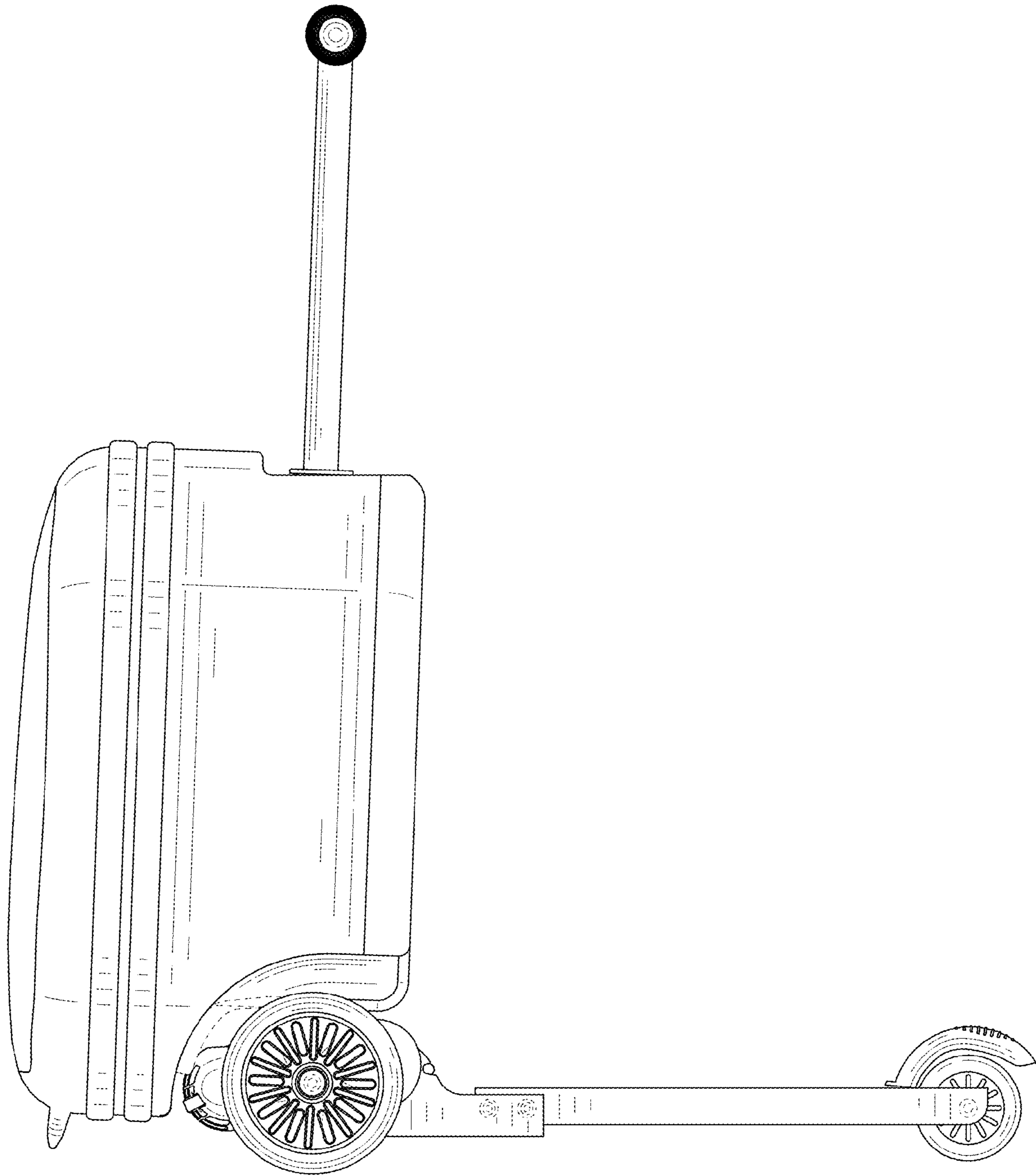


FIG. 6

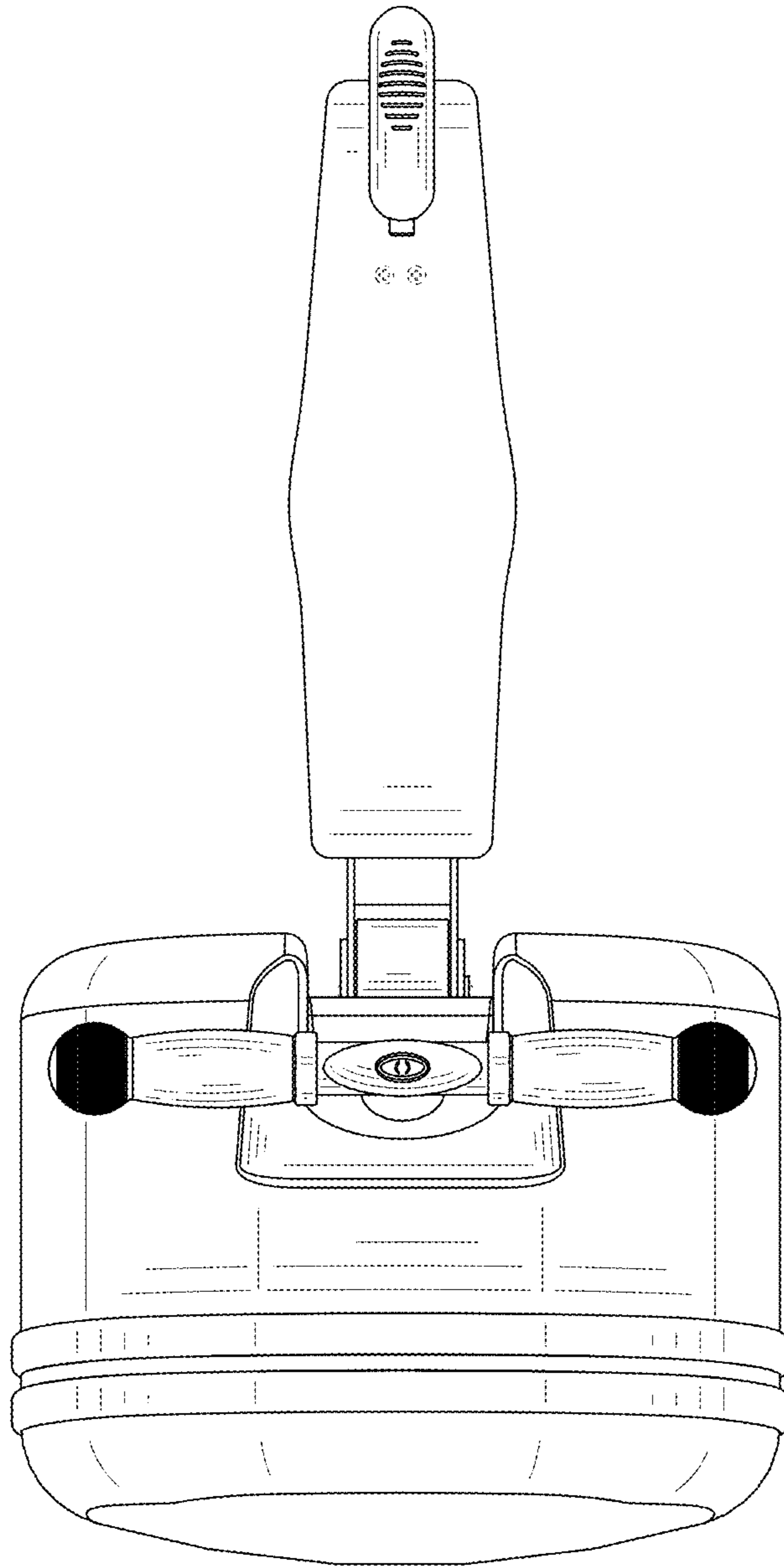


FIG. 7

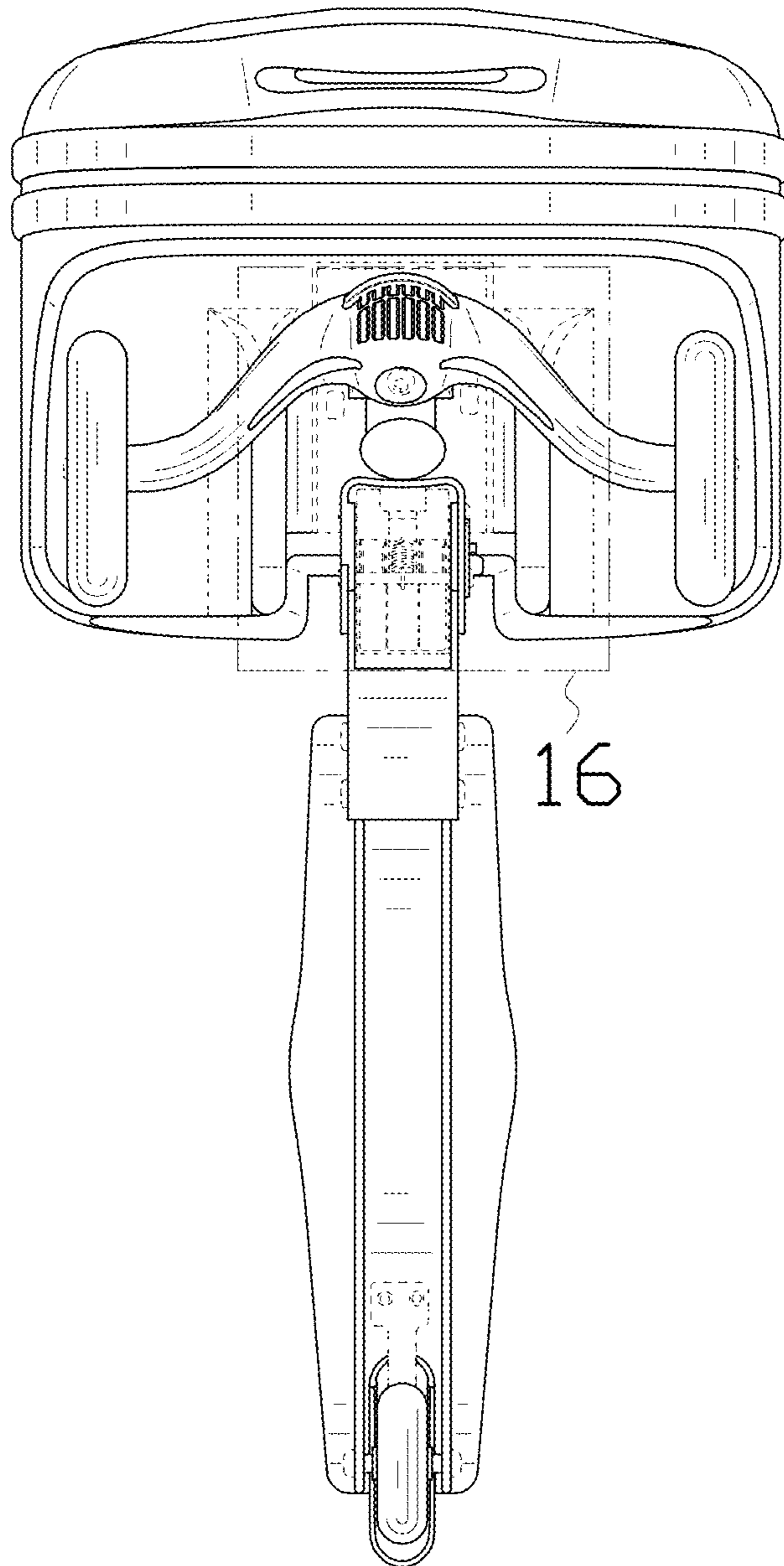


FIG. 8

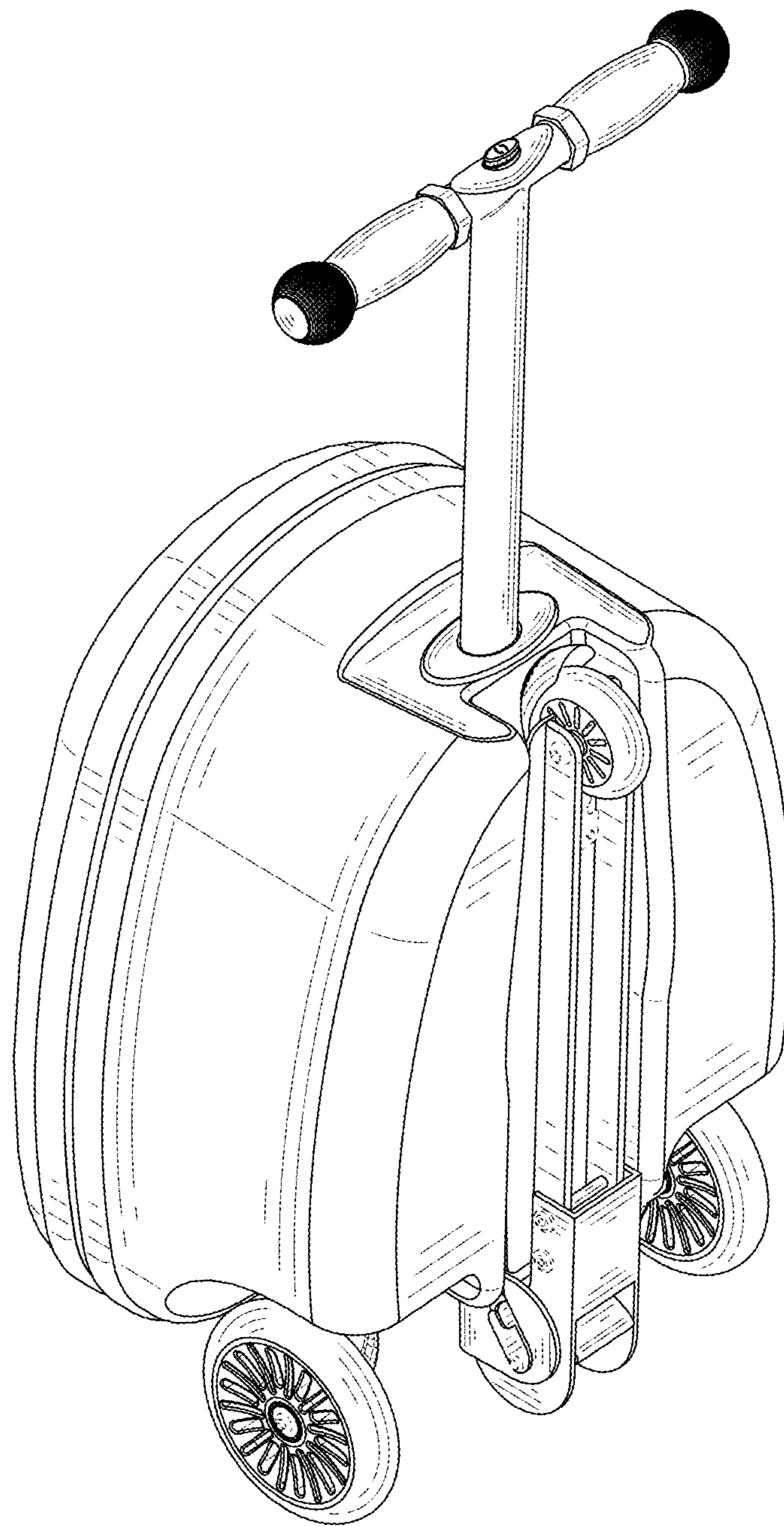


FIG. 9

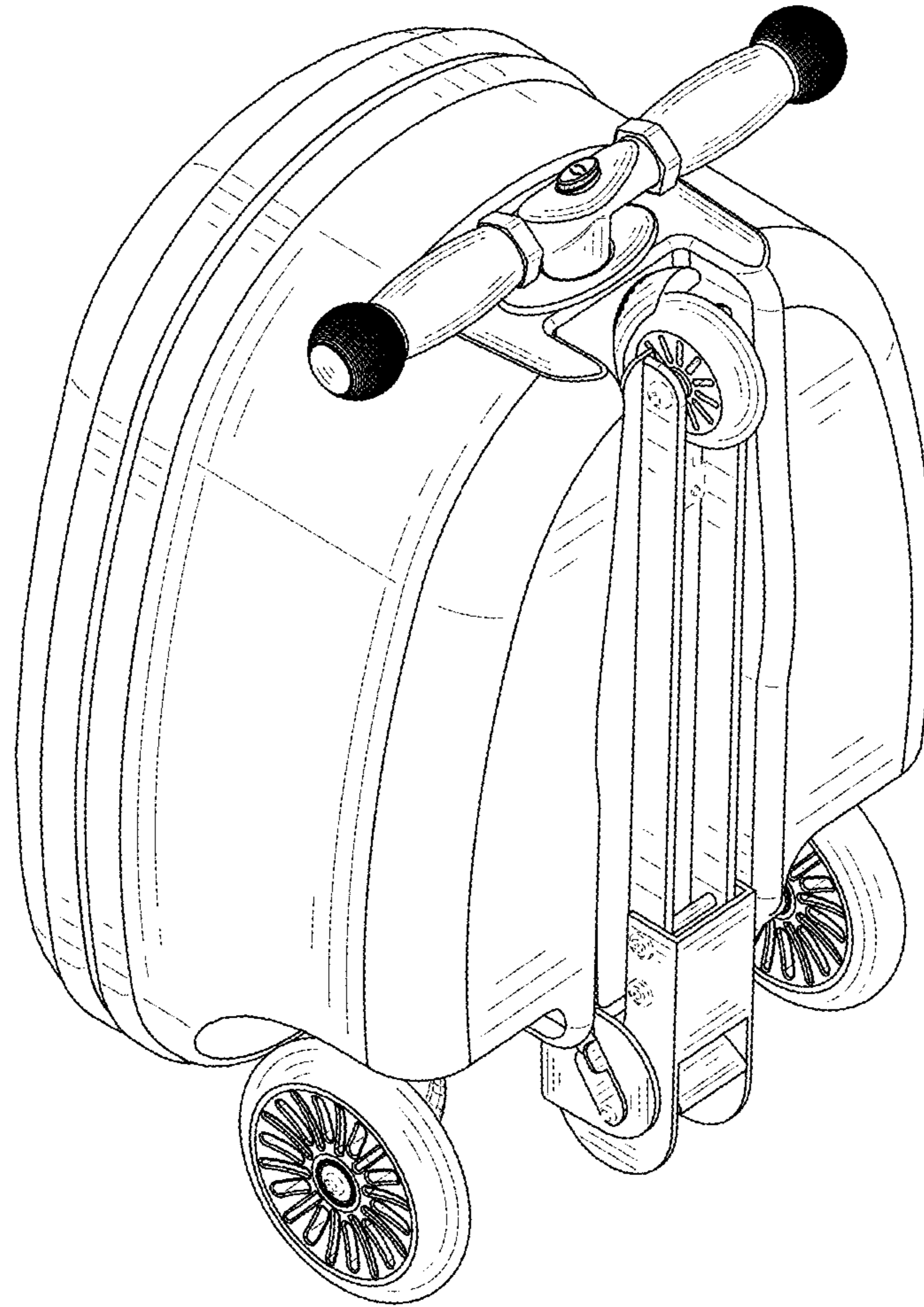


FIG. 10

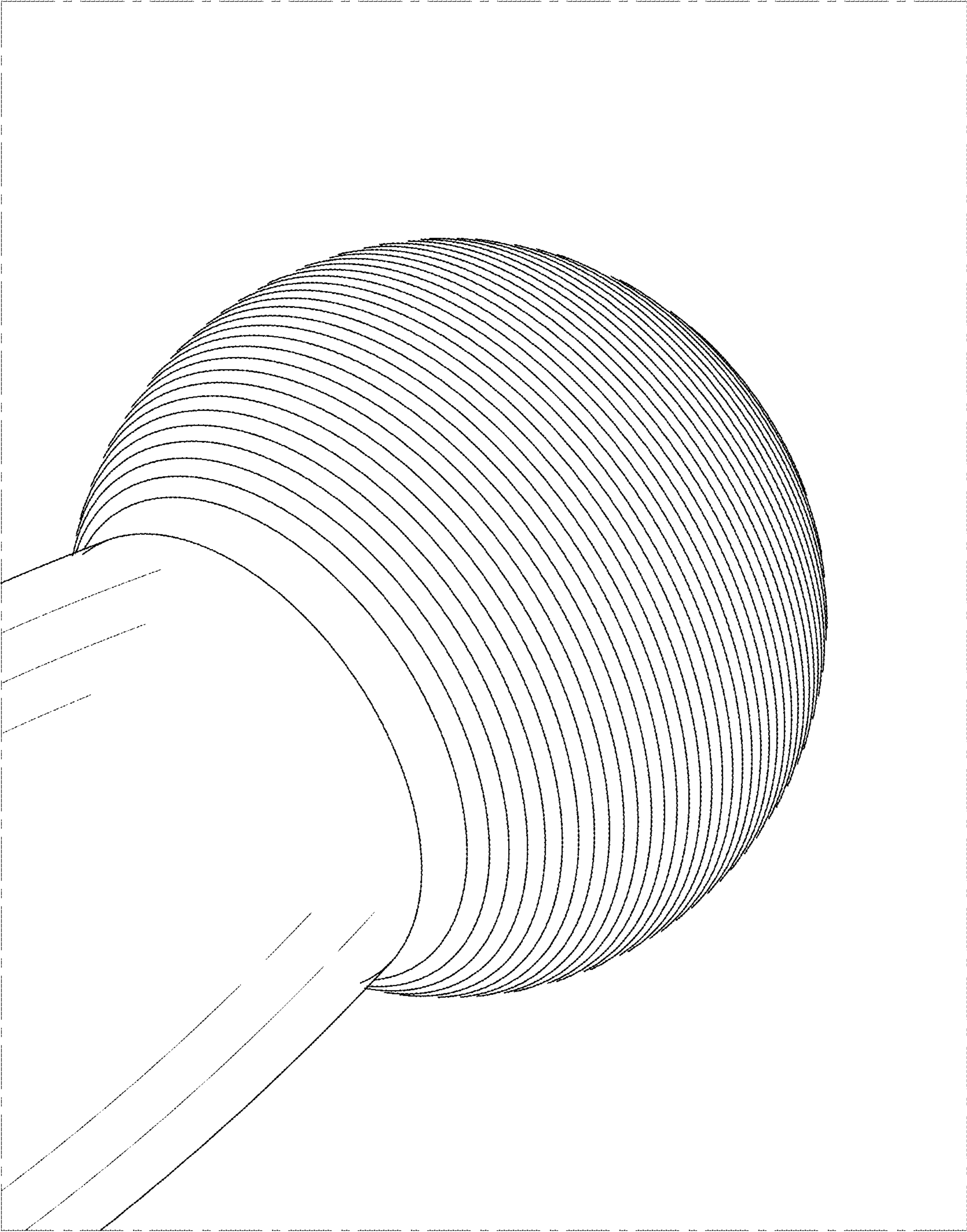


FIG. 11

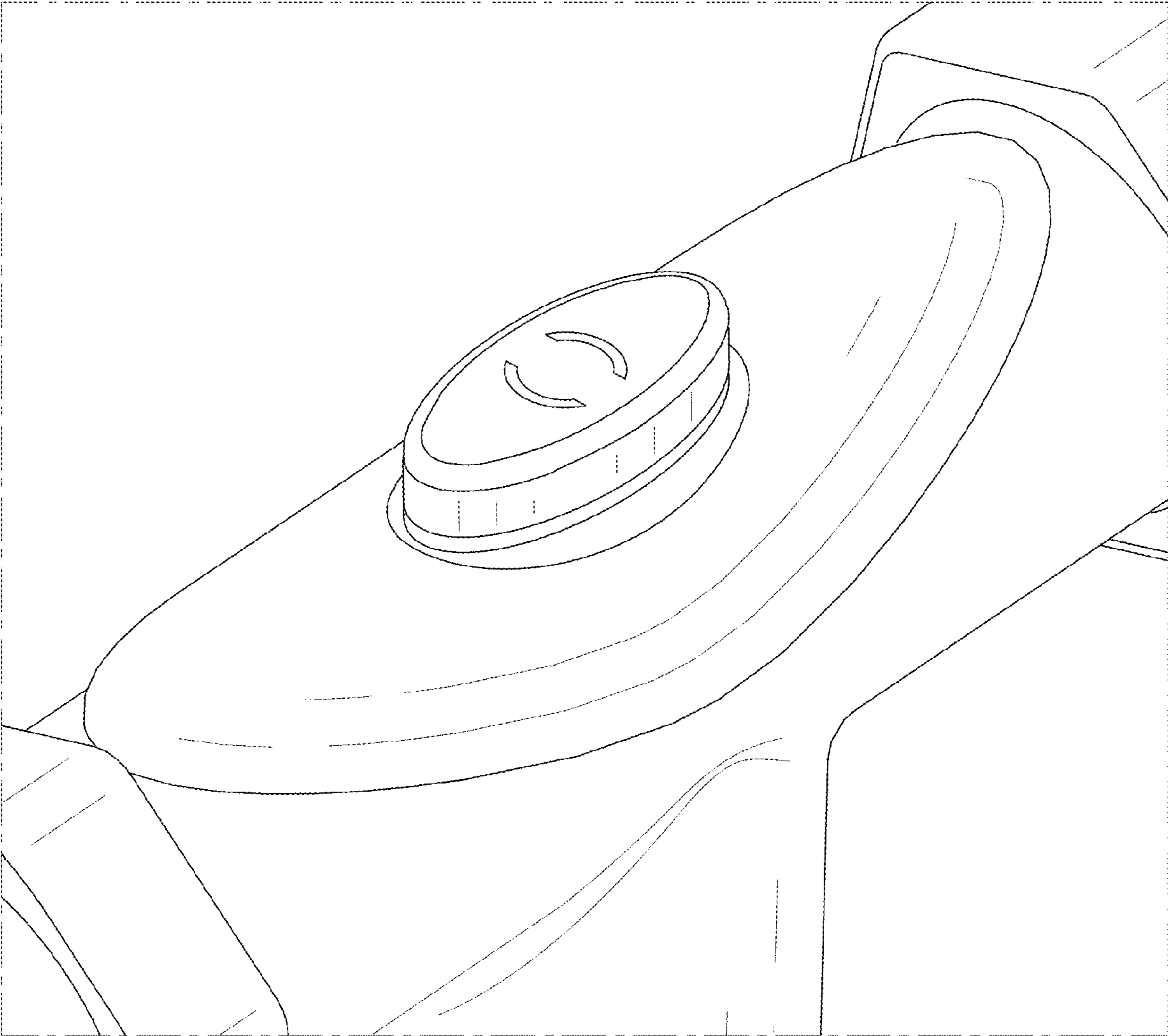


FIG. 12

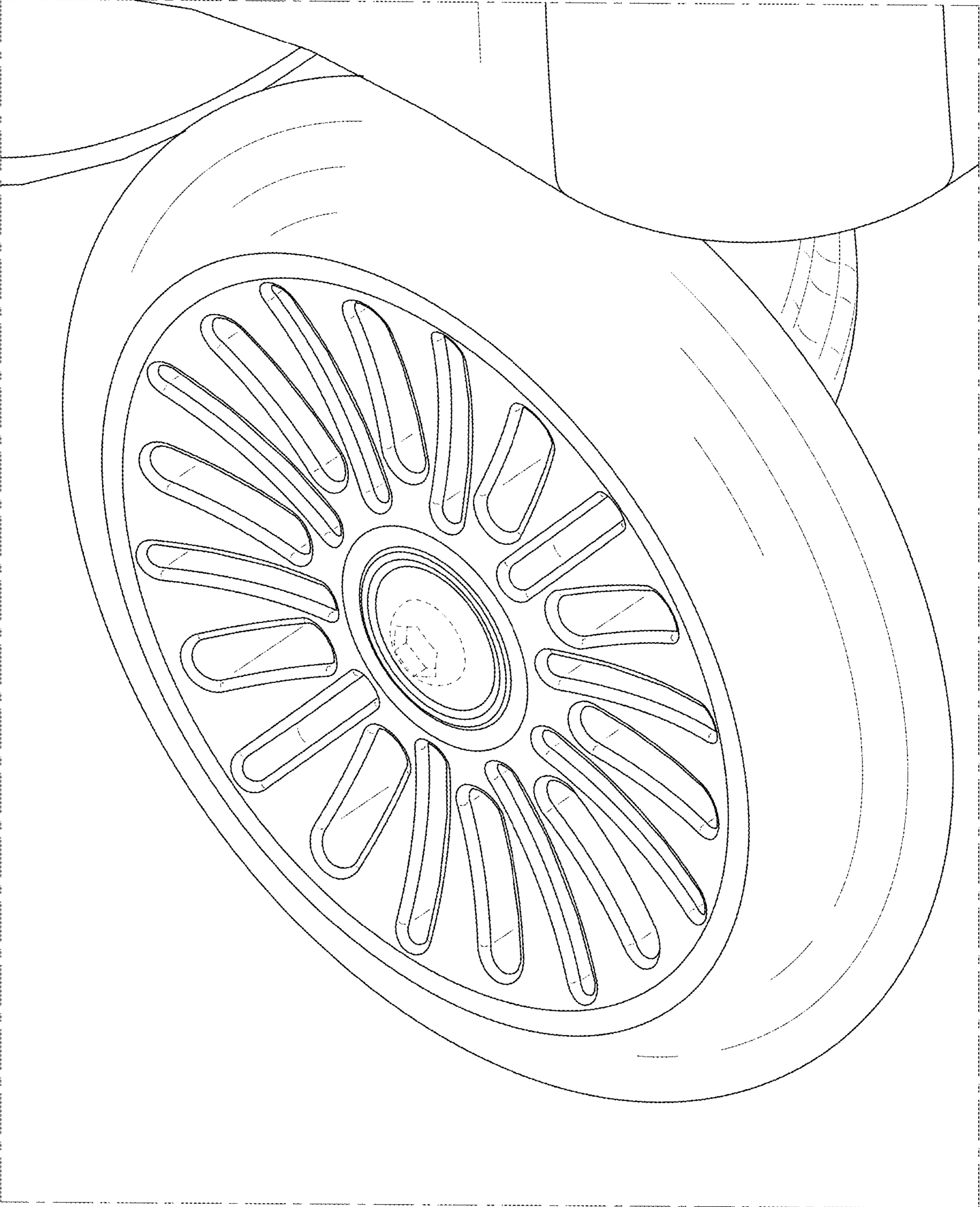


FIG. 13

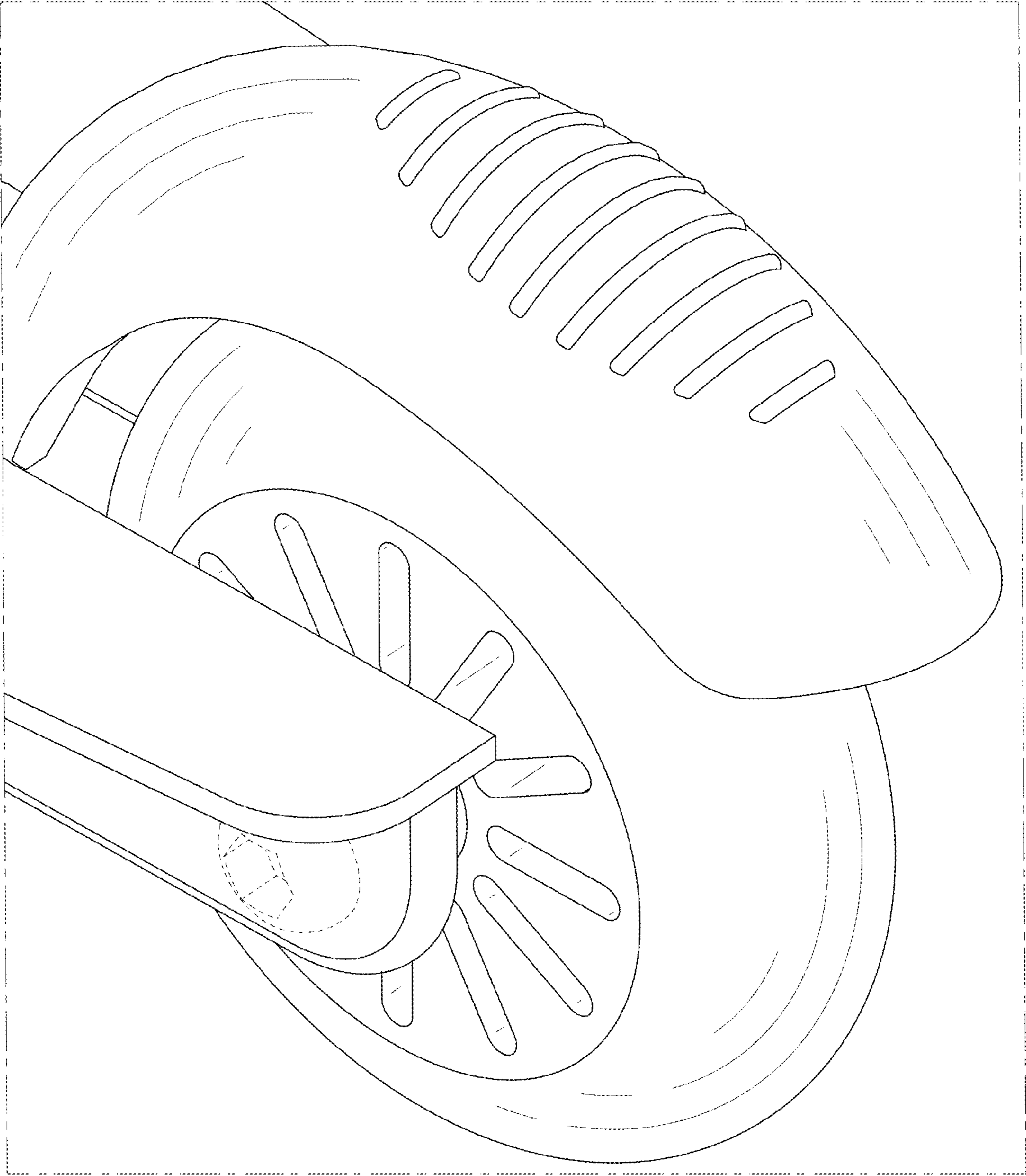


FIG. 14

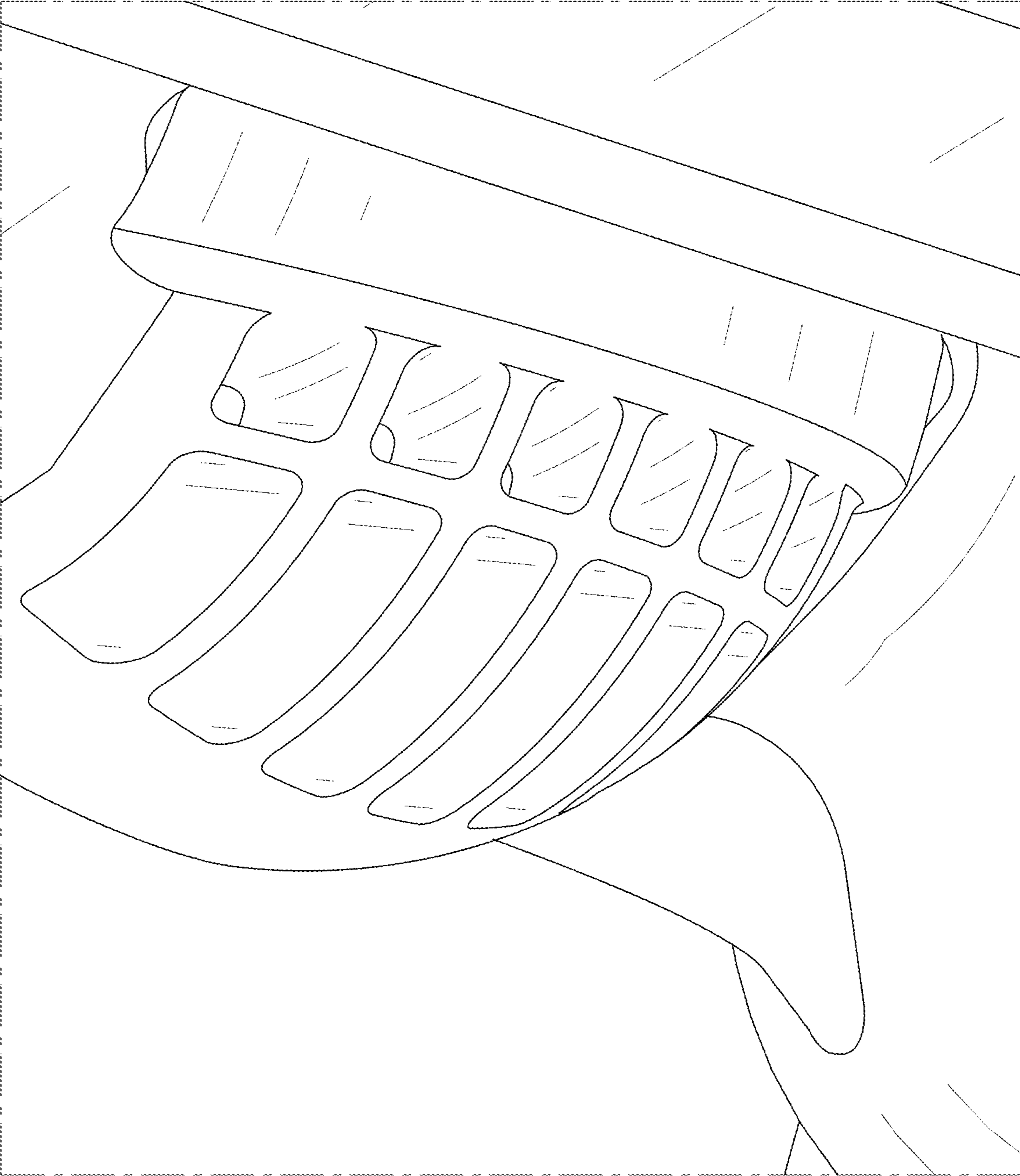


FIG. 15

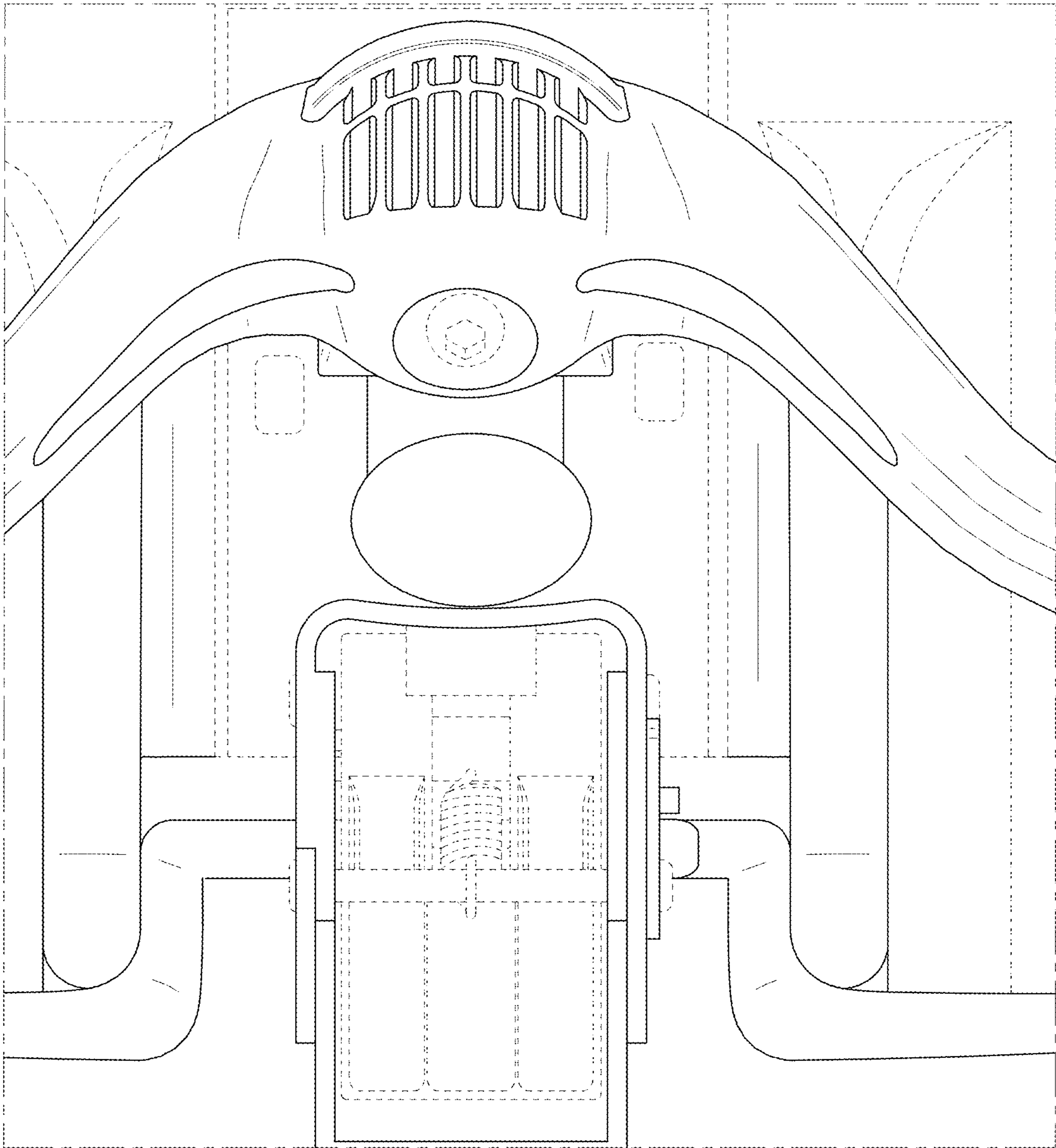


FIG. 16