



US00D982088S

(12) **United States Design Patent** (10) **Patent No.:** **US D982,088 S**
Zhan (45) **Date of Patent:** **** Mar. 28, 2023**

(54) **HAND STAMP HANDLE**

FOREIGN PATENT DOCUMENTS

(71) Applicant: **SHENZHEN TIANREN ELECTRONIC COMMERCE CO., LTD.**, Shenzhen (CN)

CN 304096658 * 4/2017
CN 305441328 * 11/2019
CN 307073155 * 1/2022

(72) Inventor: **Yi Ren Zhan**, Shanwei (CN)

OTHER PUBLICATIONS

(73) Assignee: **SHENZHEN TIANREN ELECTRONIC COMMERCE CO., LTD.**, Shenzhen (CN)

Maricopyjam, Metal Costume Magic Wand, posted Mar. 31, 2021 [online], [retrieved Nov. 30, 2022]. Retrieved from internet (Date: Nov. 30, 2022), <https://www.amazon.com/Maricopyjam-Cardcaptor-Costume-Cosplay-Birthday/dp/B091DTBP4L> (Year: 2021).*

(**) Term: **15 Years**

(Continued)

(21) Appl. No.: **29/808,641**

Primary Examiner — Katherine A Holbrow
Assistant Examiner — Riya Salil Kamat

(22) Filed: **Sep. 22, 2021**

(51) **LOC (14) Cl.** **21-01**

(57) **CLAIM**

(52) **U.S. Cl.**

The ornamental design for a hand stamp handle, as shown and described.

USPC **D21/398**; D18/15; D21/400

(58) **Field of Classification Search**

USPC D21/400, 398, 402, 406, 408; D18/15, D18/18; D19/126, 147

CPC ... B41K 1/56; B41K 1/58; A63H 3/36; A63H 31/02; A63H 33/001; A63H 33/3083

See application file for complete search history.

DESCRIPTION

FIG. 1 is a perspective view of a hand stamp handle showing my new design;
FIG. 2 is another perspective view thereof;
FIG. 3 is a front elevational view thereof;
FIG. 4 is a rear elevational view thereof;
FIG. 5 is a left side elevational view thereof;
FIG. 6 is a right side elevational view thereof;
FIG. 7 is a top plan view thereof;
FIG. 8 is a bottom plan view thereof;
FIG. 9 is an enlarged view of portion 9 shown in FIG. 1; and,
FIG. 10 is an enlarged view of portion 10 shown in FIG. 1. The dash-dash broken lines in the drawings depict portions of the hand stamp handle that form no part of the claimed design. The dot-dash broken lines represent boundaries of the enlarged portions and form no part of the claimed design.

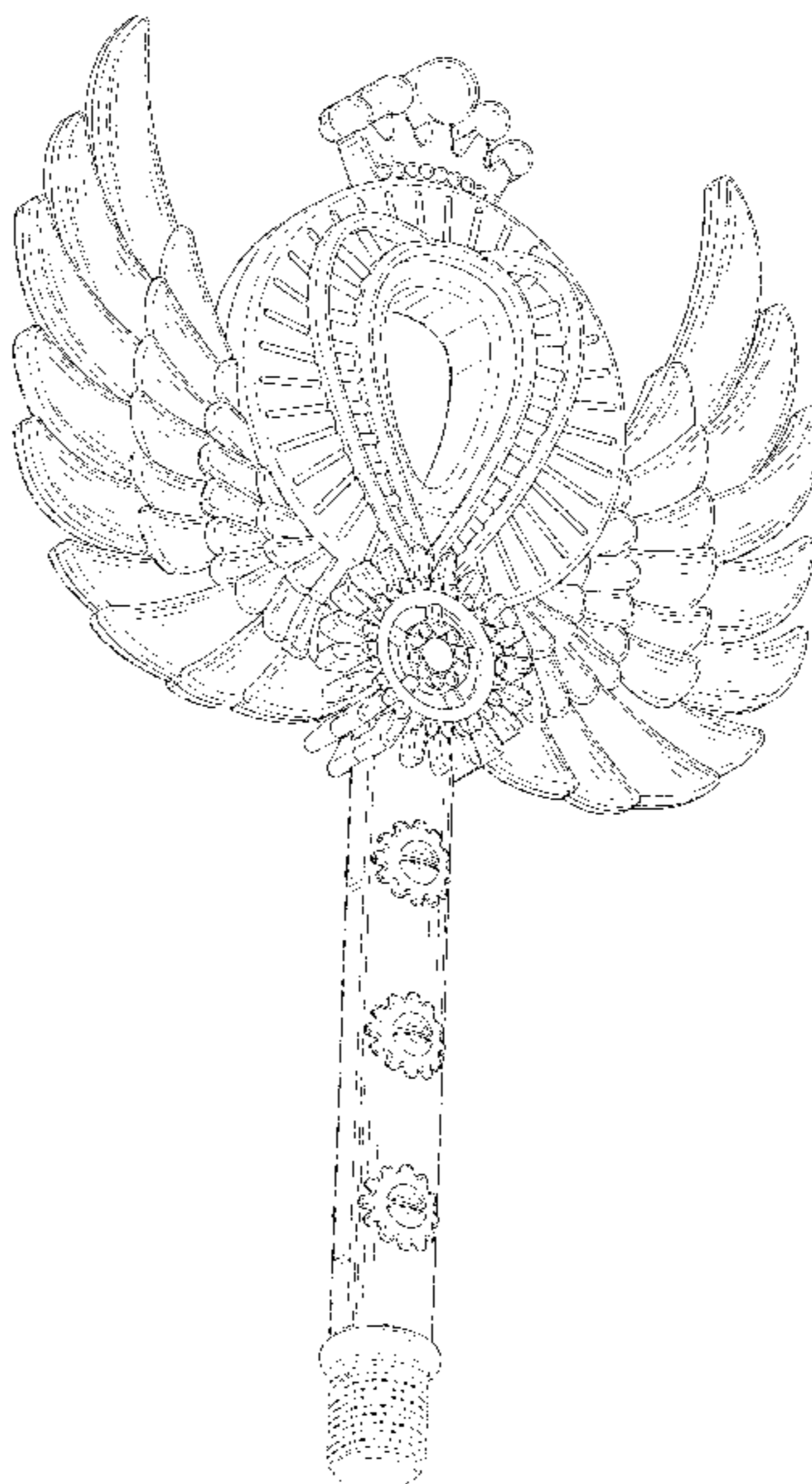
(56) **References Cited**

U.S. PATENT DOCUMENTS

D243,503 S * 3/1977 Richmond, II D7/661
D280,910 S * 10/1985 Fujikura D18/15
D287,860 S * 1/1987 McShirley D19/147
D352,073 S * 11/1994 Rissman D21/402
D372,276 S * 7/1996 Choi D21/483
D372,493 S * 8/1996 Sculler D18/18
D393,481 S * 4/1998 Dem D18/15
D410,673 S * 6/1999 Martin D19/162
D421,056 S * 2/2000 Gootnick D19/126
D439,281 S * 3/2001 Nakazawa D21/398
D715,016 S * 10/2014 Huang D1/106

(Continued)

1 Claim, 10 Drawing Sheets



(56)

References Cited

U.S. PATENT DOCUMENTS

D837,893	S	*	1/2019	Hornsby	D21/398
D837,896	S	*	1/2019	Hornsby	D21/398
D847,267	S	*	4/2019	Gold	D21/398
D858,247	S	*	9/2019	Papafagos	D8/107
D922,240	S	*	6/2021	Xie	D11/81
D956,145	S	*	6/2022	Chen	D21/402

OTHER PUBLICATIONS

LongLongJin, Wax Seal Stamp, posted Sep. 24, 2021 [online], [retrieved Nov. 29, 2022]. Retrieved from internet (Date: Nov. 29, 2022), https://www.amazon.com/Mechanical-Invitation-Envelopes-Decoration-Christmas/dp/B09KBV6RZW/ref=cm_cr_ar_p_d_product_top?ie=UTF8 (Year: 2021).*

Lucky Goddess, Letter Sealing Wax Stamp, posted Mar. 26, 2021 [online], [retrieved Nov. 29, 2022]. Retrieved from internet (Date: Nov. 29, 2022), https://www.amazon.com/Letter-Sealing-Alphabet-Lucky-Goddness/dp/B091531VHD/ref=cm_cr_ar_p_d_product_top?ie=UTF8&th=1 (Year: 2021).*

JJ Unboxingly, 2NE2 Lightstick Unboxing, posted Nov. 25, 2019 [online], [retrieved Nov. 29, 2022]. Retrieved from internet (Date: Nov. 29, 2022), https://www.youtube.com/watch?v=lmLf_z7AIU8&t=54s (Year: 2019).*

* cited by examiner

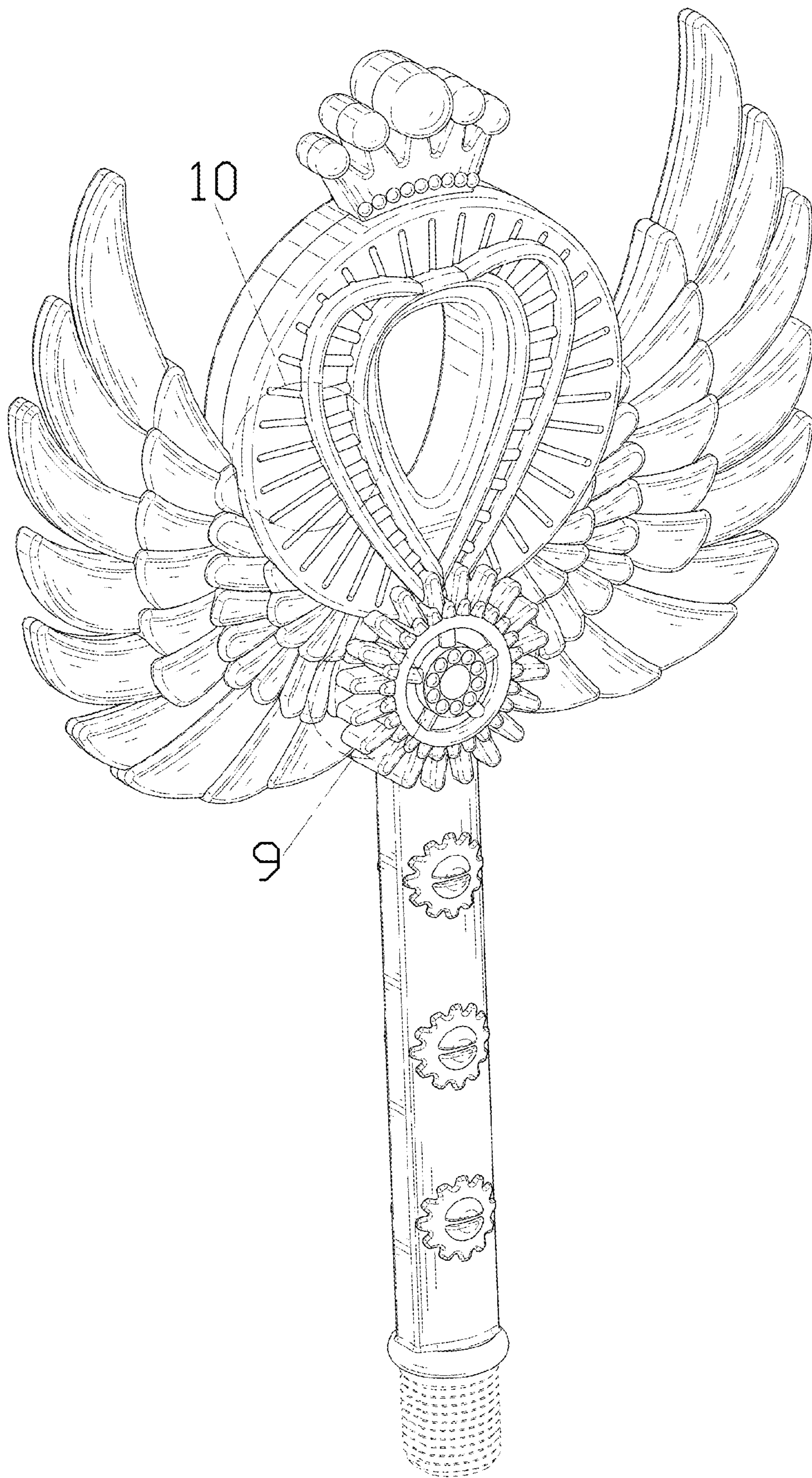


FIG. 1

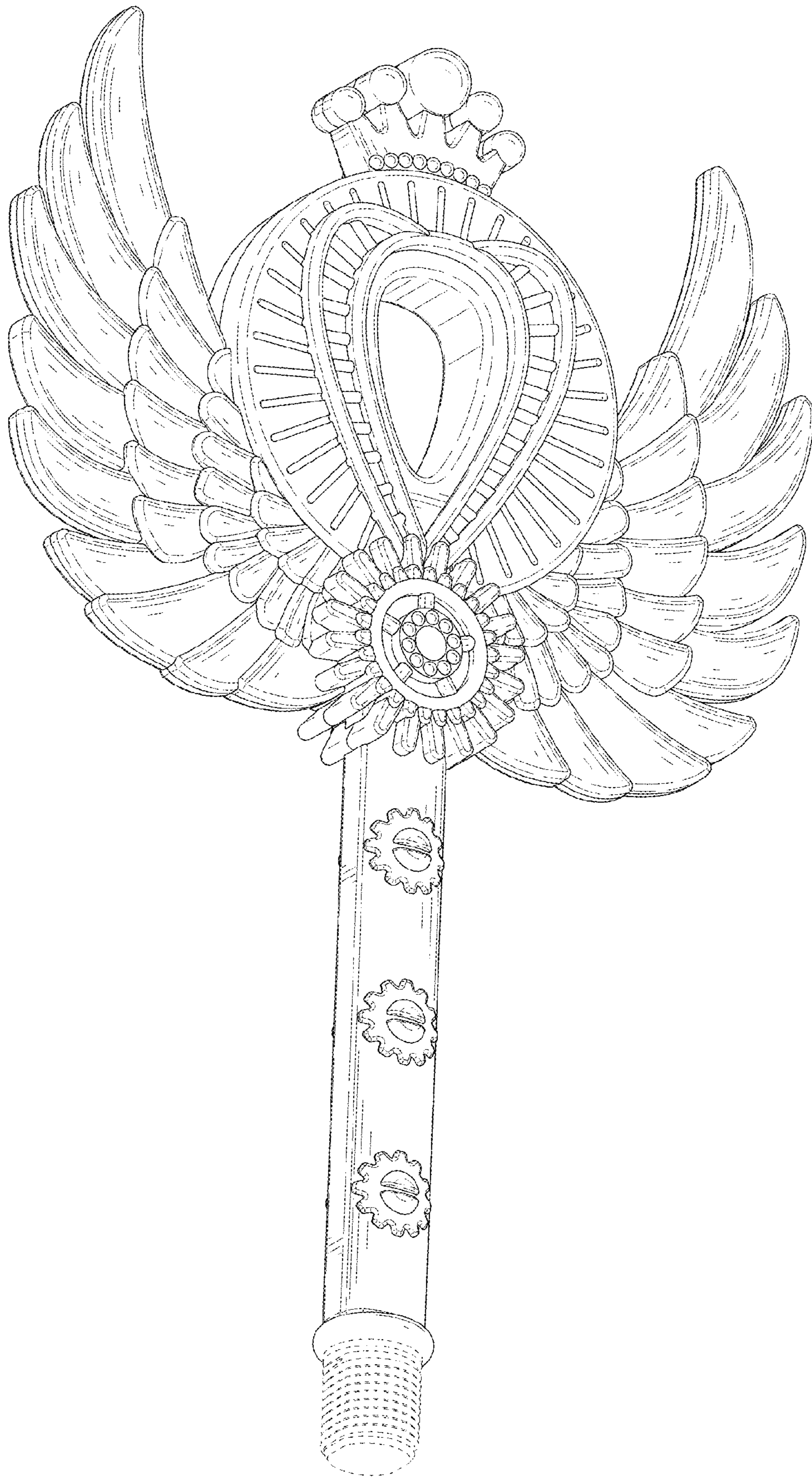


FIG. 2

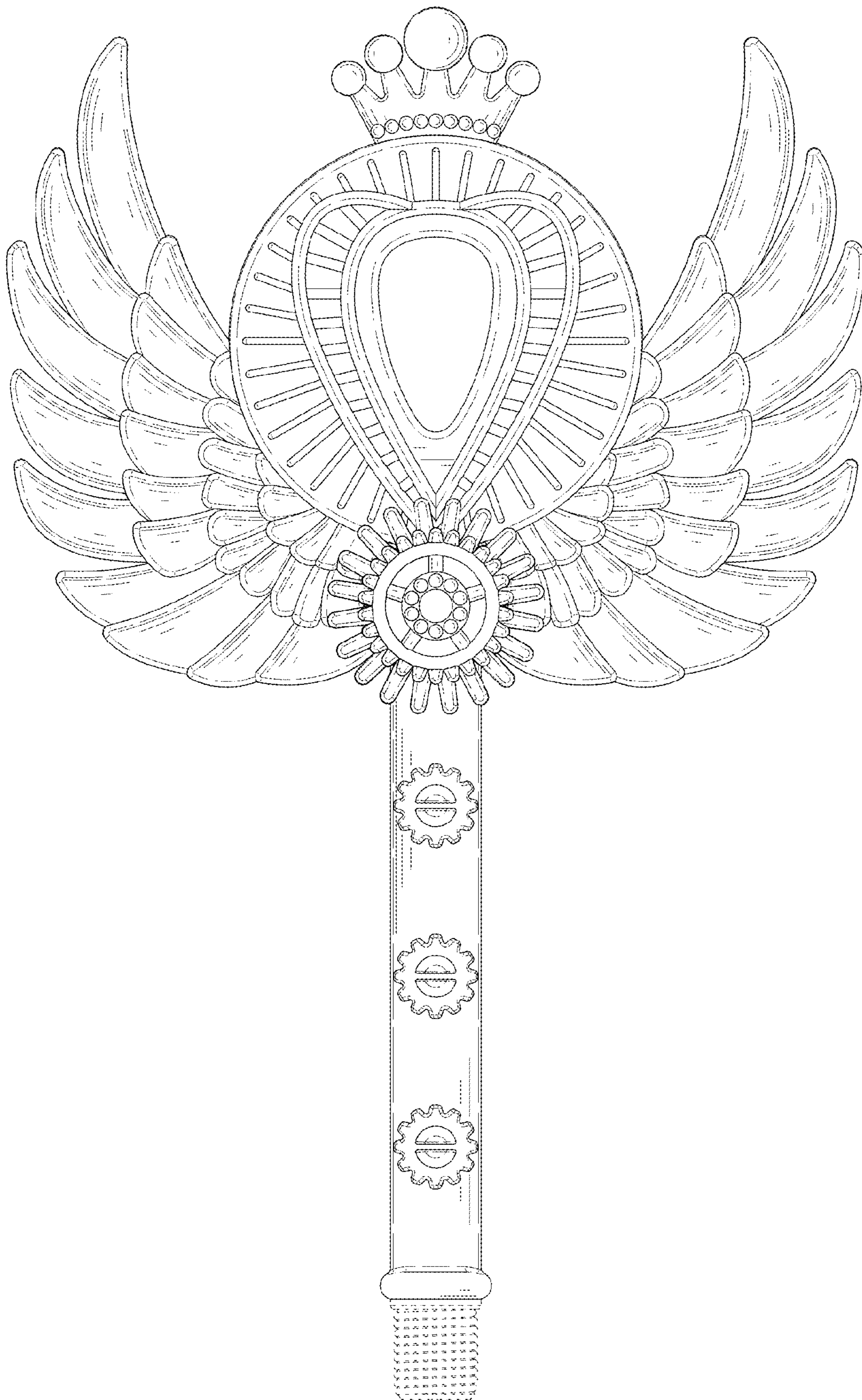


FIG. 3

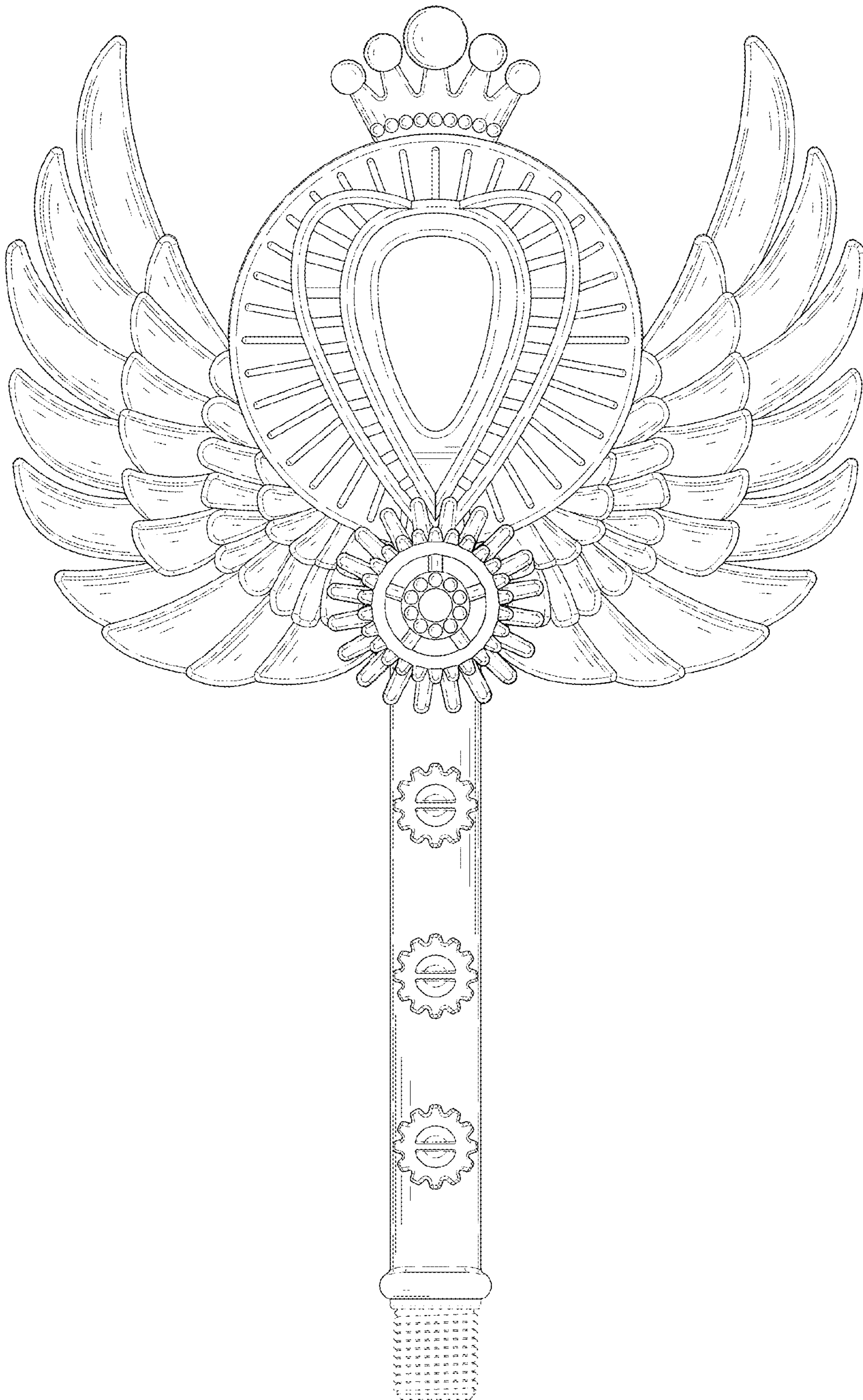


FIG. 4

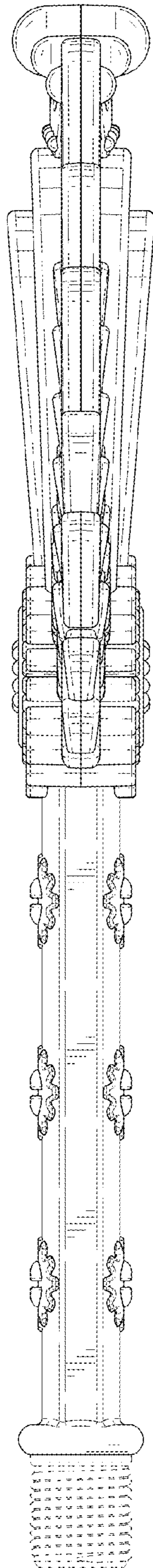


FIG. 5

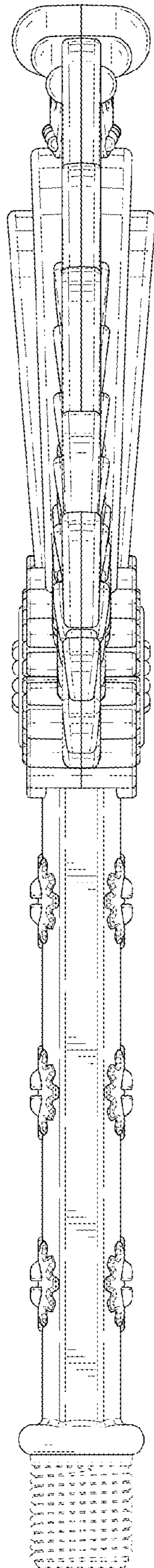


FIG. 6

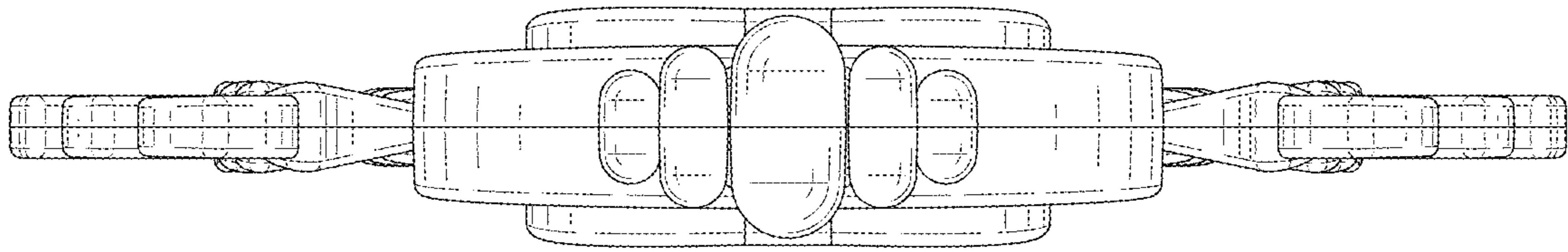


FIG. 7

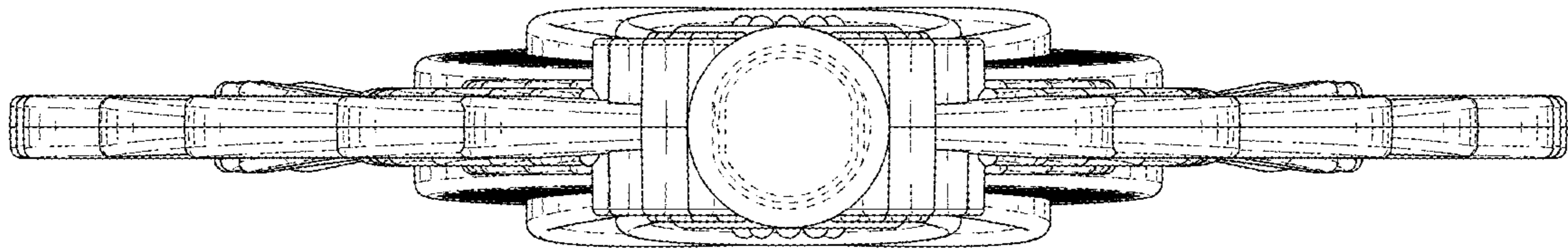


FIG. 8

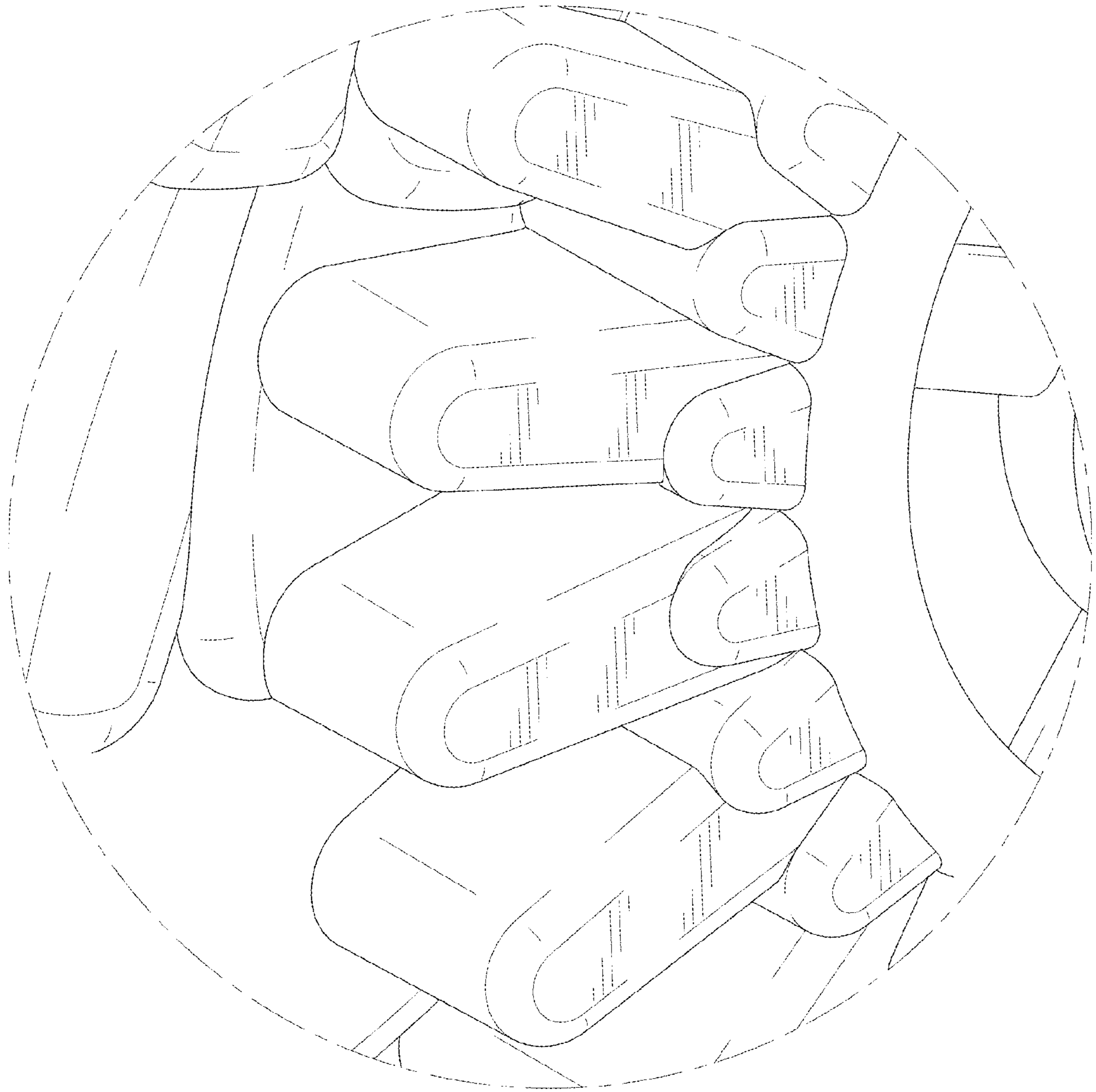


FIG. 9

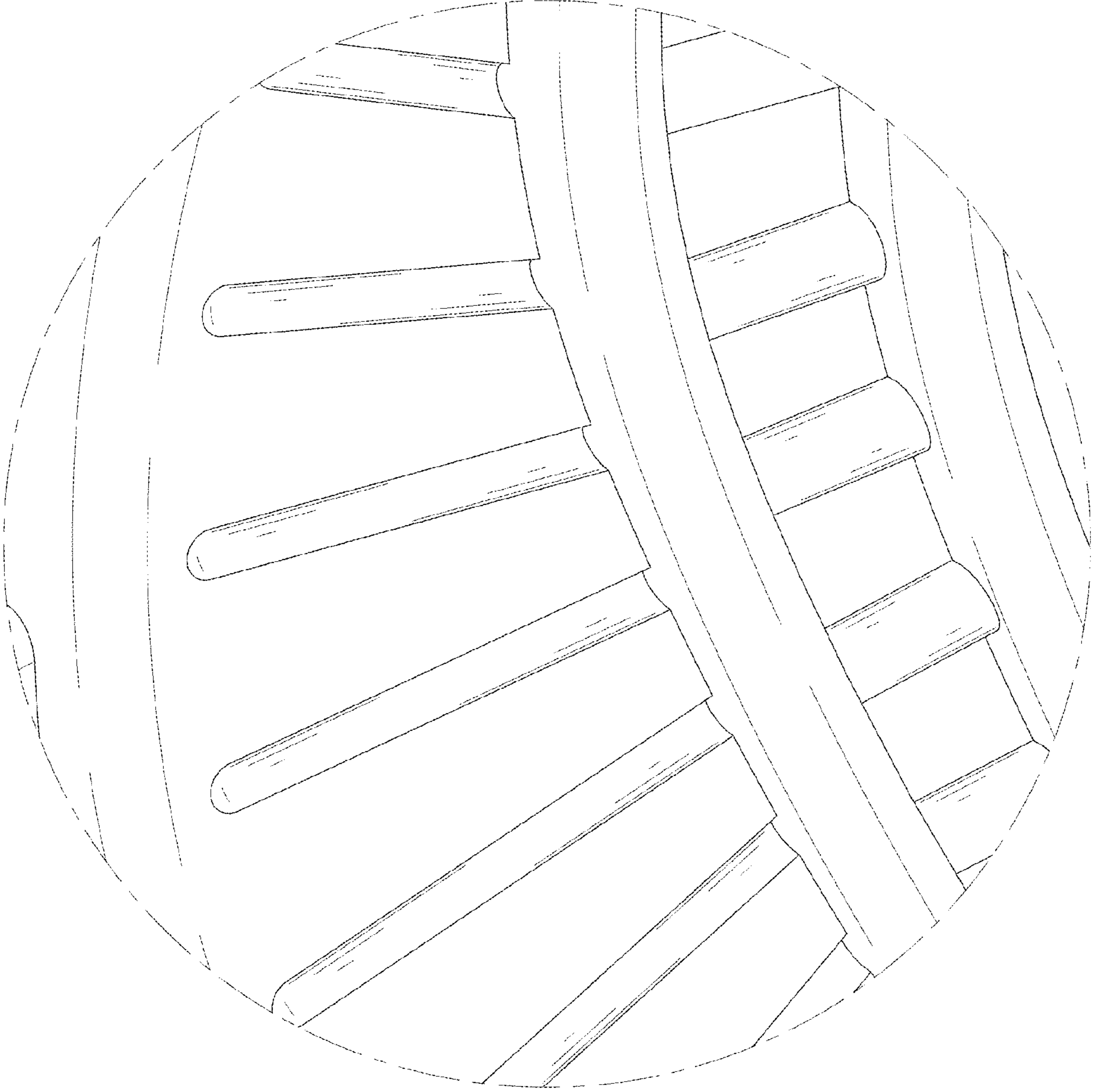


FIG. 10