



US00D982087S

(12) **United States Design Patent** (10) **Patent No.:** **US D982,087 S**
Schoonmaker et al. (45) **Date of Patent:** **** Mar. 28, 2023**

(54) **DISPLAY SCREEN DEVICE**

(71) Applicant: **Aristocrat Technologies, Inc.**, Las Vegas, NV (US)
(72) Inventors: **Rena Schoonmaker**, Las Vegas, NV (US); **Bruce Urban**, Las Vegas, NV (US); **Scott Hendrickson**, Las Vegas, NV (US); **Keith Chambers**, Las Vegas, NV (US); **Matthew McKay**, Henderson, NV (US); **Ariel Turgel**, San Francisco, CA (US); **Cheng-Fu Hsieh**, Palo Alto, CA (US); **Brian Bergeson**, Henderson, NV (US)

(73) Assignee: **Aristocrat Technologies, Inc.**, Las Vegas, NV (US)

(**) Term: **15 Years**

(21) Appl. No.: **29/750,266**

(22) Filed: **Sep. 11, 2020**

(51) **LOC (14) Cl.** **21-03**

(52) **U.S. Cl.**
USPC **D21/369**

(58) **Field of Classification Search**
USPC D21/325, 369, 329, 367, 370, 371, 300; D26/24; D6/300, 310, 301, 302, 308, D6/332, 650, 650.1, 668, 670, 691.3, D6/703.1, 705.1
CPC .. H04N 19/159; H04N 19/176; H04N 13/111; H04N 13/156; H04N 13/204; H04N 13/239; H04N 19/105; H04N 19/52; H04N 19/577; H04N 5/33; H04N 9/3185; H04N 13/257; H04N 13/279; H04N 13/296; H04N 13/344; H04N 13/366; H04N 13/383; H04N 13/398; H04N 17/002; H04N 19/109; H04N 19/119; H04N 19/12; H04N 19/126; H04N

(Continued)

(56) **References Cited**

U.S. PATENT DOCUMENTS

D405,963 S * 2/1999 Arbak D6/310
D572,770 S 7/2008 Seelig

(Continued)

Primary Examiner — Khawaja Anwar
Assistant Examiner — Julice Seung Eun Oum
(74) *Attorney, Agent, or Firm* — Armstrong Teasdale LLP

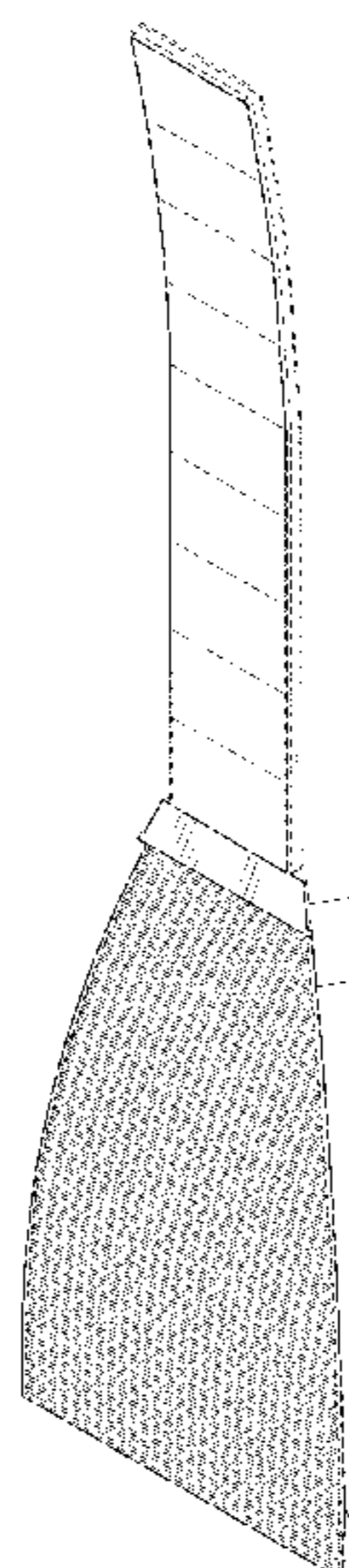
(57) **CLAIM**

We claim the ornamental design for a display screen device, as shown and described.

DESCRIPTION

FIG. 1 is a front perspective view of a display screen device showing our new design;
FIG. 2 is a front view of the display screen device shown in FIG. 1;
FIG. 3 is a back view of the display screen device shown in FIG. 1;
FIG. 4 is a right side view of the display screen device shown in FIG. 1;
FIG. 5 is a left side view of the display screen device shown in FIG. 1;
FIG. 6 is a top view of the display screen device shown in FIG. 1;
FIG. 7 is a perspective view of the display screen device within a bank of electronic gaming machines;
FIG. 8 is a front view of the display screen device within the bank of electronic gaming machines shown in FIG. 8;
FIG. 9 is a front perspective view of the display screen device within another bank of electronic gaming machines showing the new design; and,
FIG. 10 is a front view of the display screen device within the bank of electronic gaming machines shown in FIG. 8. In these drawings, the solid lines illustrate the claimed ornamental design, whereas the broken lines illustrate unclaimed environmental features and form no part of the claimed design.

1 Claim, 10 Drawing Sheets



(58) **Field of Classification Search**

CPC 19/132; H04N 19/186; H04N 19/1883;
H04N 19/46; H04N 19/96; H04N
1/00811; H04N 1/00814; H04N 1/40093;
H04N 1/401; H04N 2013/0081; H04N
2209/048; H04N 5/04; H04N 5/2254;
H04N 5/2258; H04N 5/23206; H04N
5/23212; H04N 5/23245; H04N 5/23258;
H04N 5/23267; H04N 5/232935; H04N
5/232939; H04N 5/247; H04N 5/2621;
H04N 5/332; H04N 5/3415; H04N 5/357;
H04N 5/372; H04N 7/147; H04N 7/157;
H04N 9/083; H04N 9/3105; H04N 9/312;
H04N 9/3126; H04N 9/3147; H04N
9/3152; H04N 9/3179; H04N 9/3188;
H04N 9/64; G02B 19/0028; G02B
19/009; G02B 2027/0134; G02B
2027/0138; G02B 2027/014; G02B
21/0012; G02B 21/22; G02B 21/361;
G02B 21/367; G02B 26/085; G02B
27/0025; G02B 27/0075; G02B 27/0172;
G02B 27/0977; G02B 27/1013; G02B

27/4211; G02B 3/0056; G02B 5/201;
G02B 5/208; G02B 6/02042

See application file for complete search history.

(56)

References Cited

U.S. PATENT DOCUMENTS

D606,231 S * 12/2009 Sabernig D26/85
D608,935 S * 1/2010 Pedersen D26/85
D685,945 S * 7/2013 Lindsley D26/85
D706,411 S * 6/2014 Wang D23/413
D713,589 S * 9/2014 Blum D26/85
D724,250 S * 3/2015 Tran D26/85
D730,560 S * 5/2015 Tran D26/85
D735,928 S * 8/2015 Hawkins D26/120
D739,591 S * 9/2015 Tran D26/85
D831,818 S * 10/2018 Biancuzzo D23/413
D868,717 S 12/2019 Hodgson
D880,605 S 4/2020 Bussey
D882,699 S 4/2020 Bernard
D883,393 S 5/2020 Bernard
D891,520 S 7/2020 Urban
D919,708 S * 5/2021 Bussey D21/369

* cited by examiner

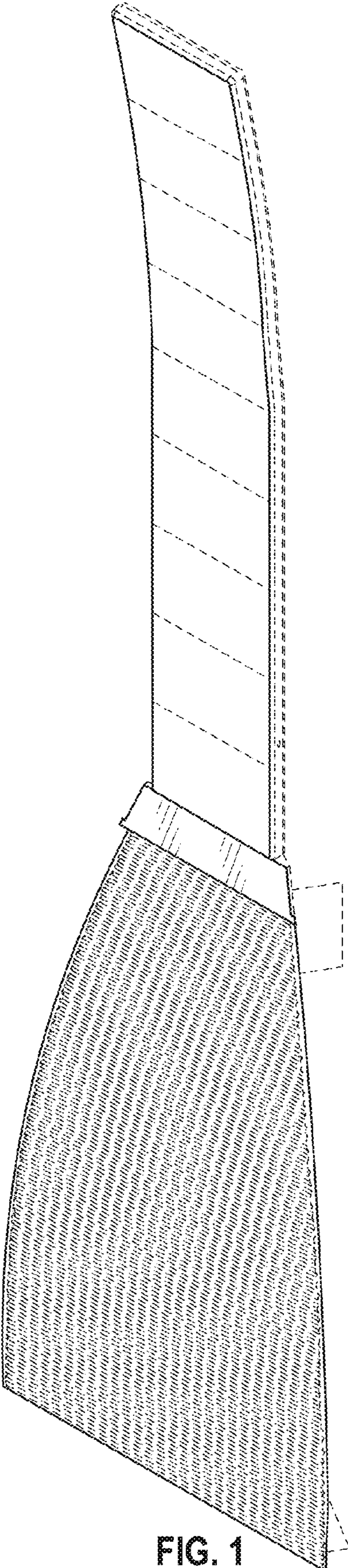


FIG. 1

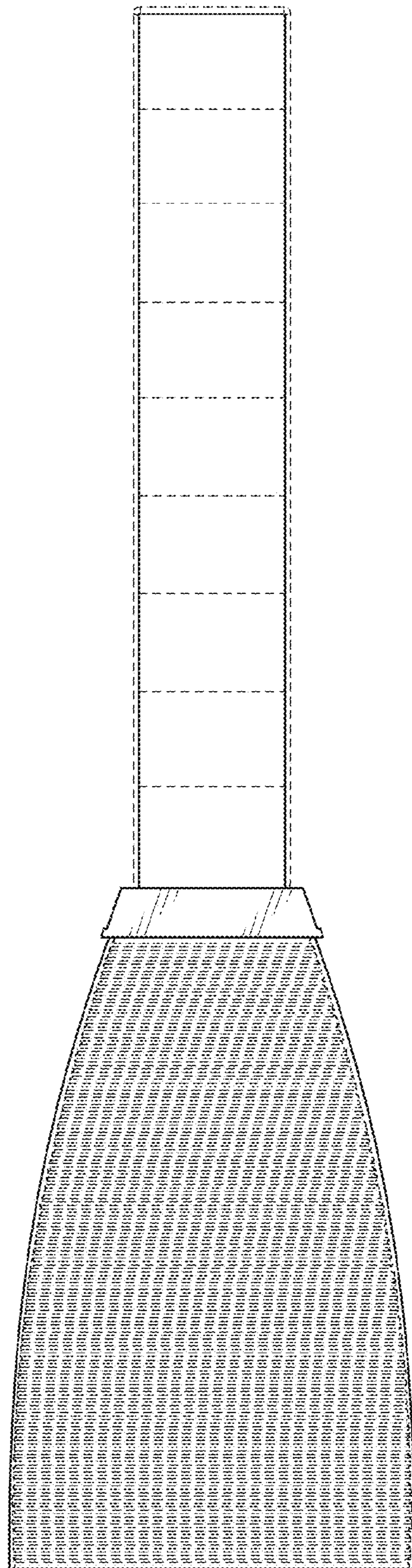


FIG. 2

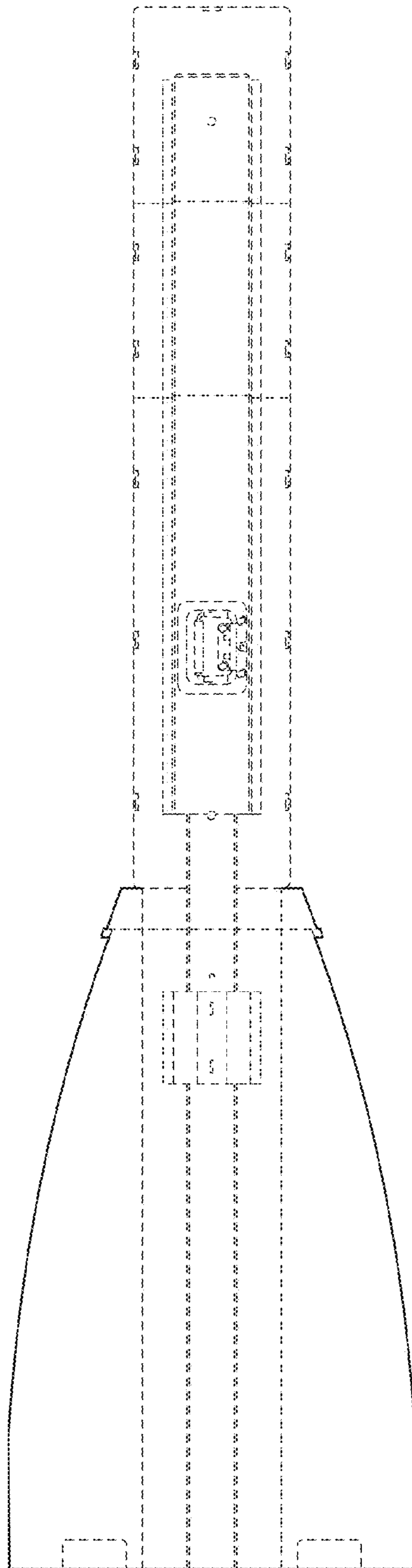


FIG. 3

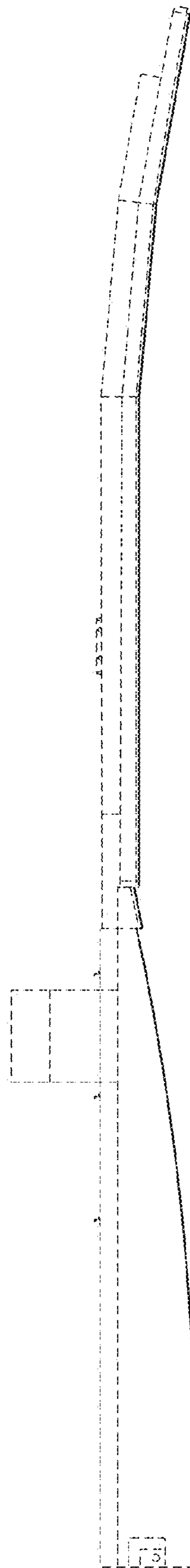


FIG. 4

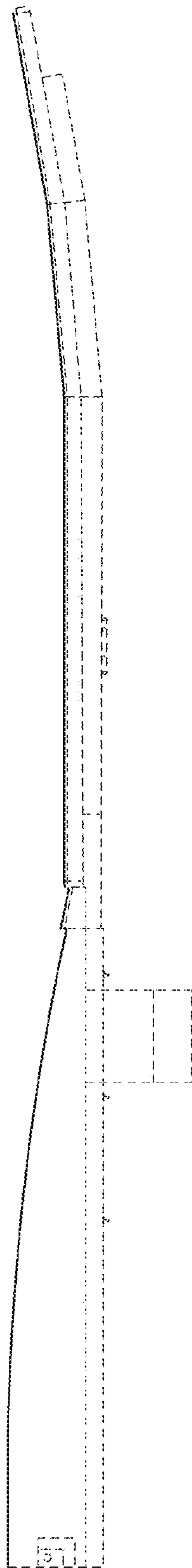


FIG. 5

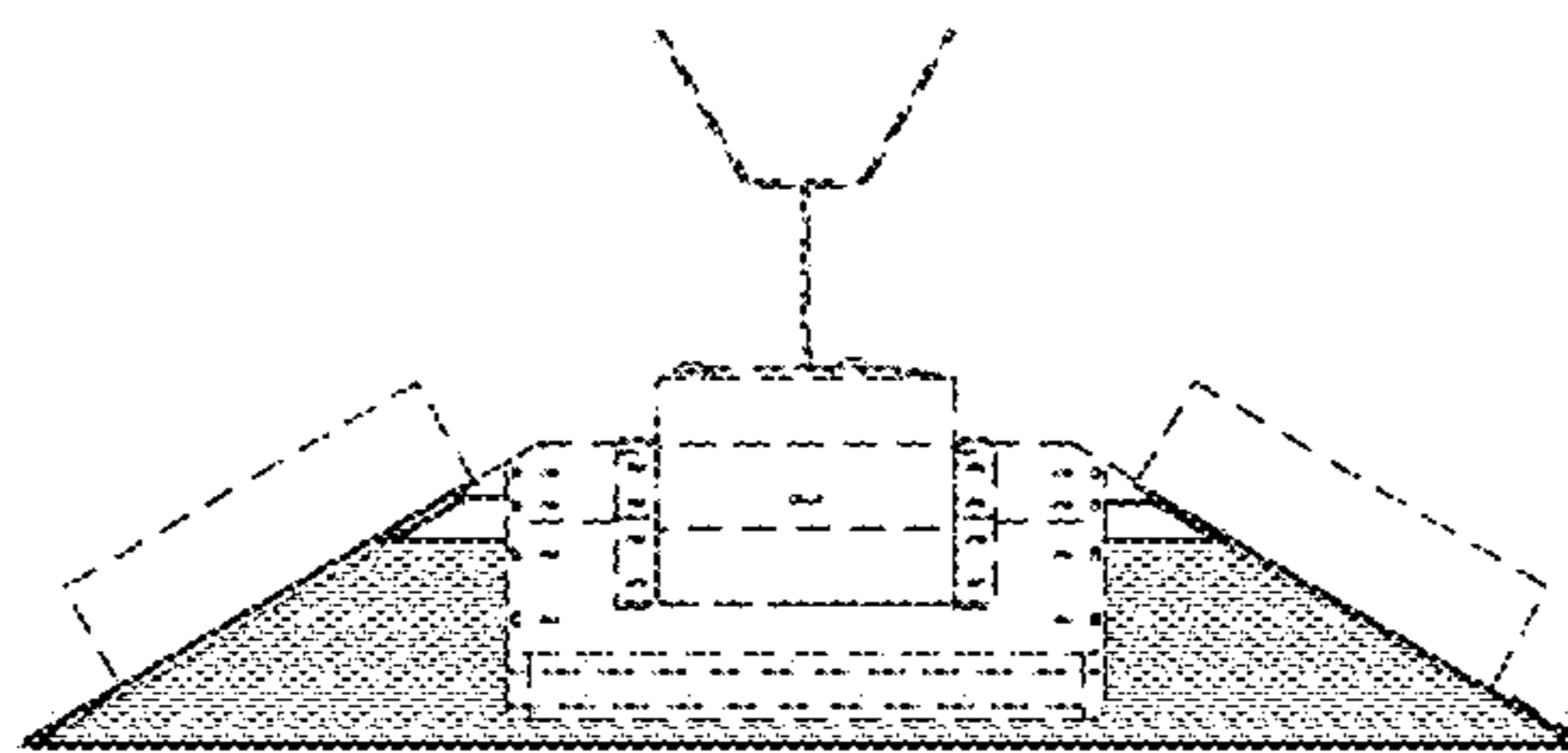


FIG. 6

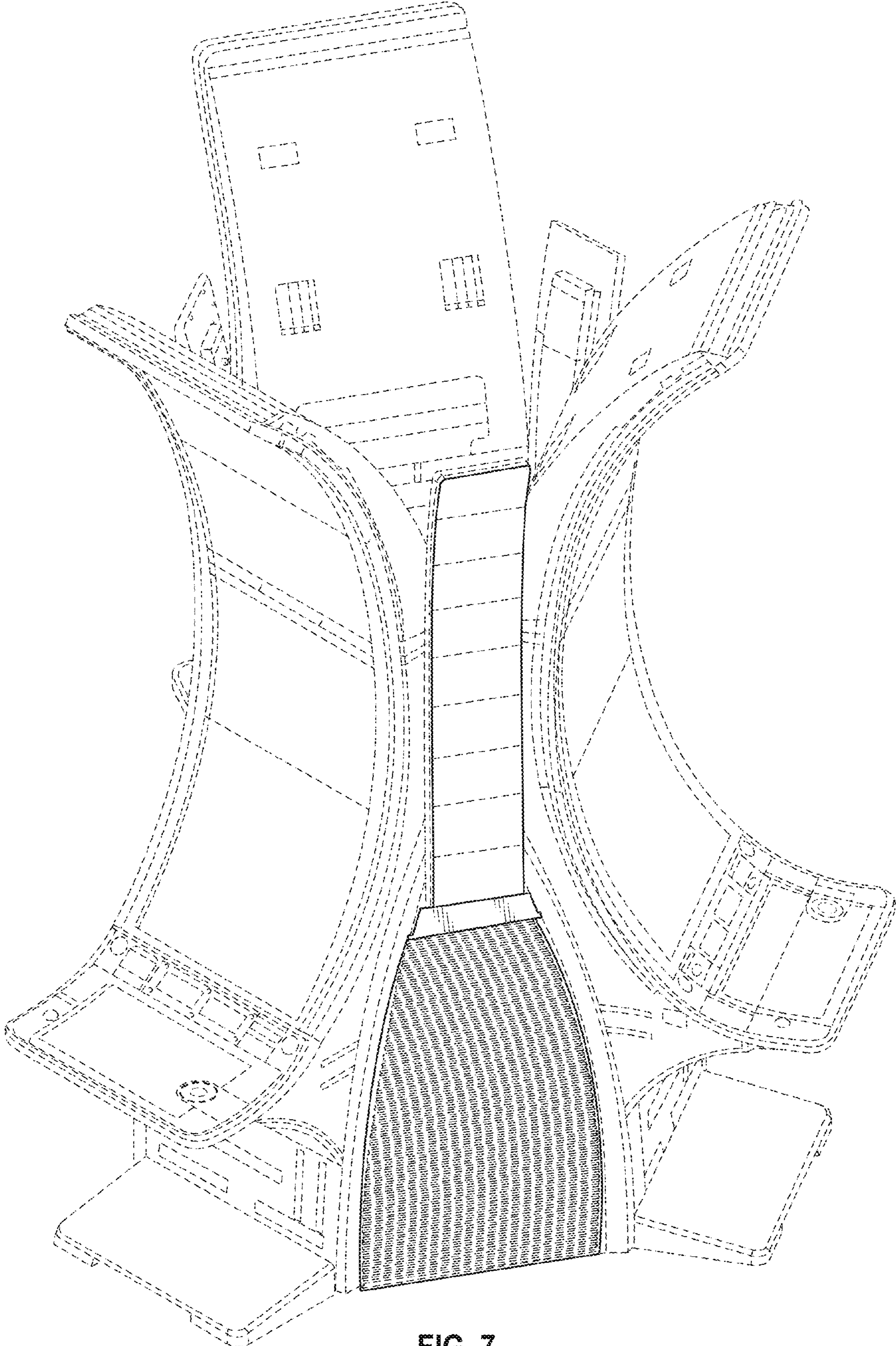


FIG. 7

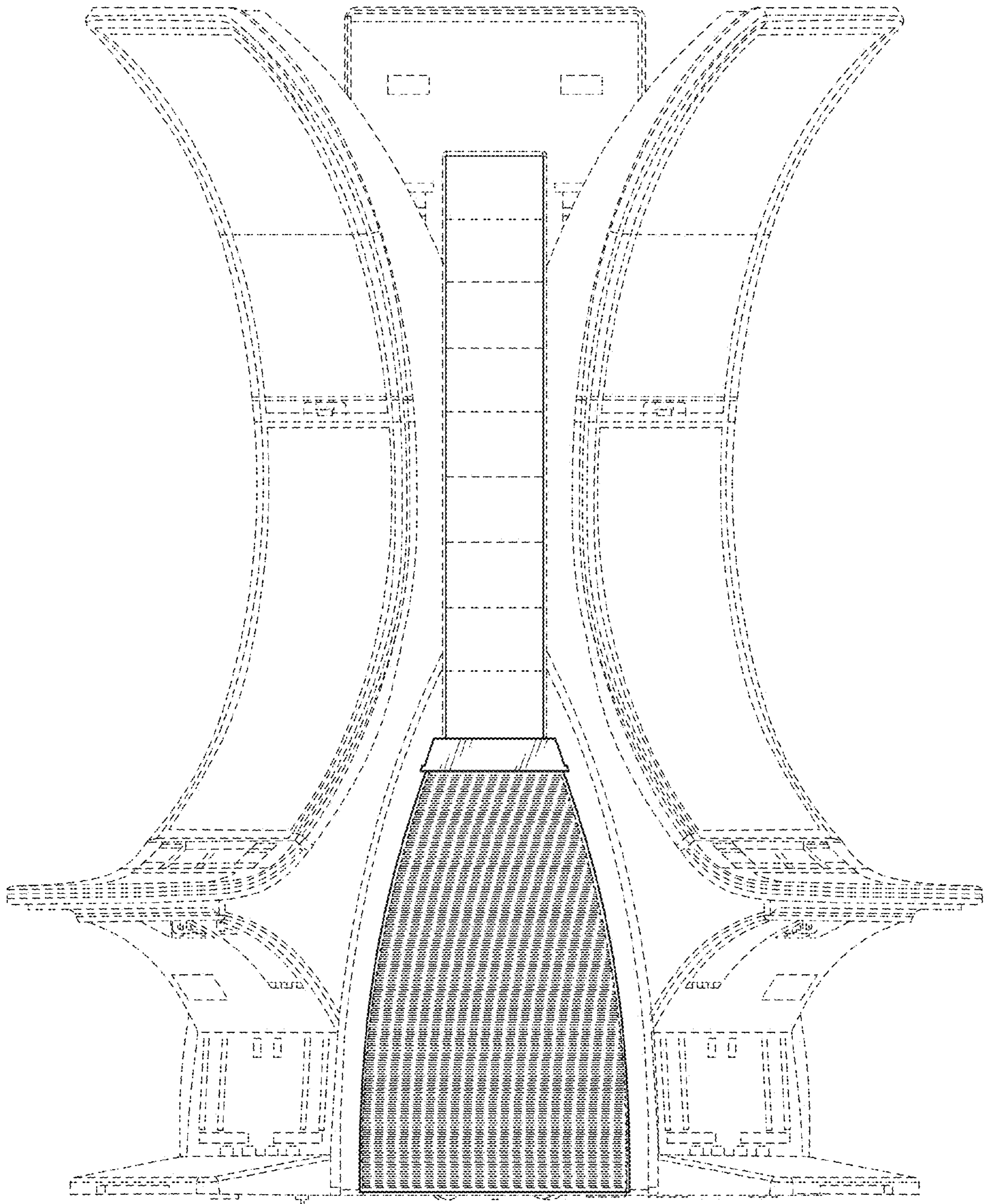


FIG. 8

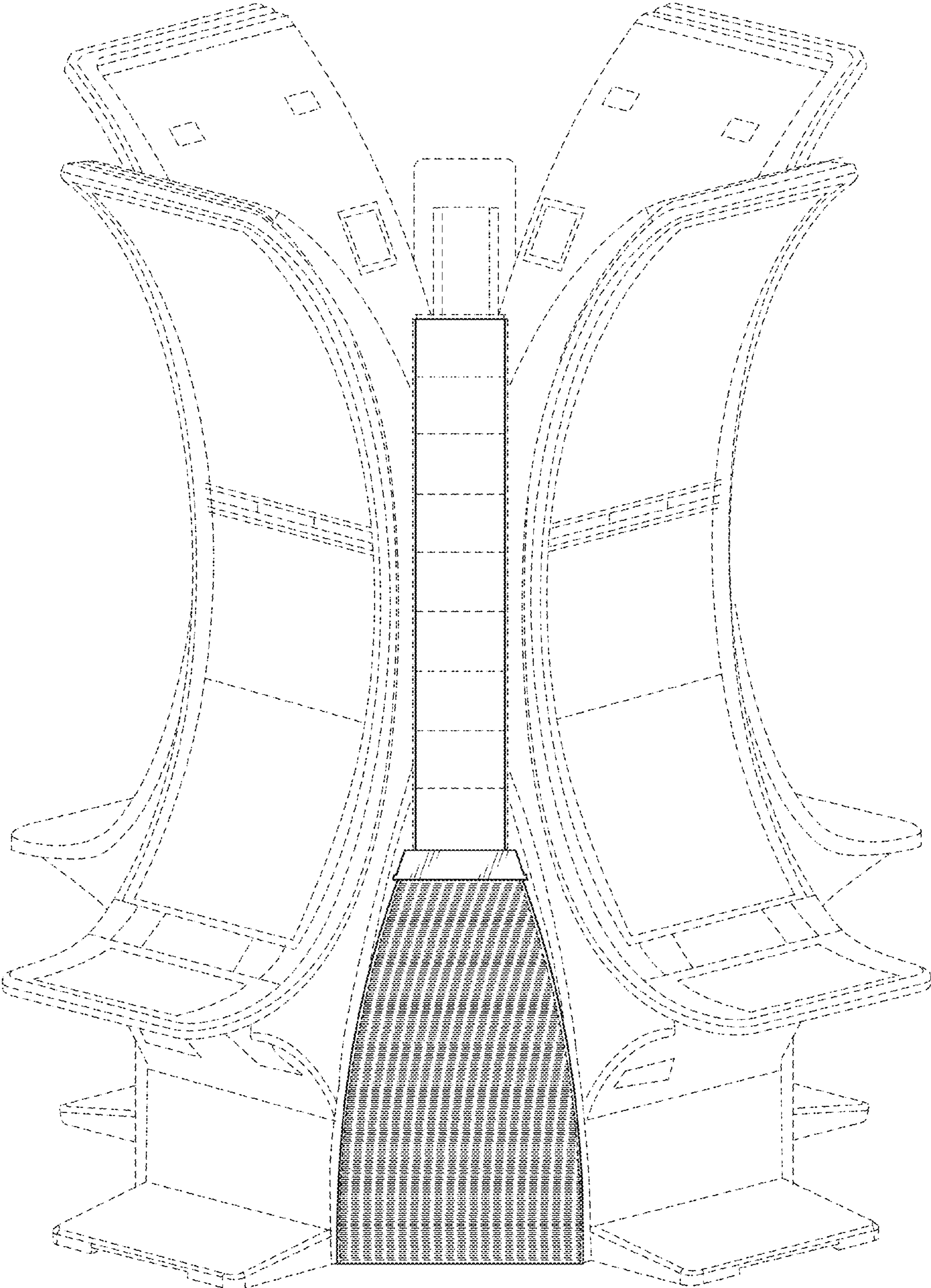


FIG. 9

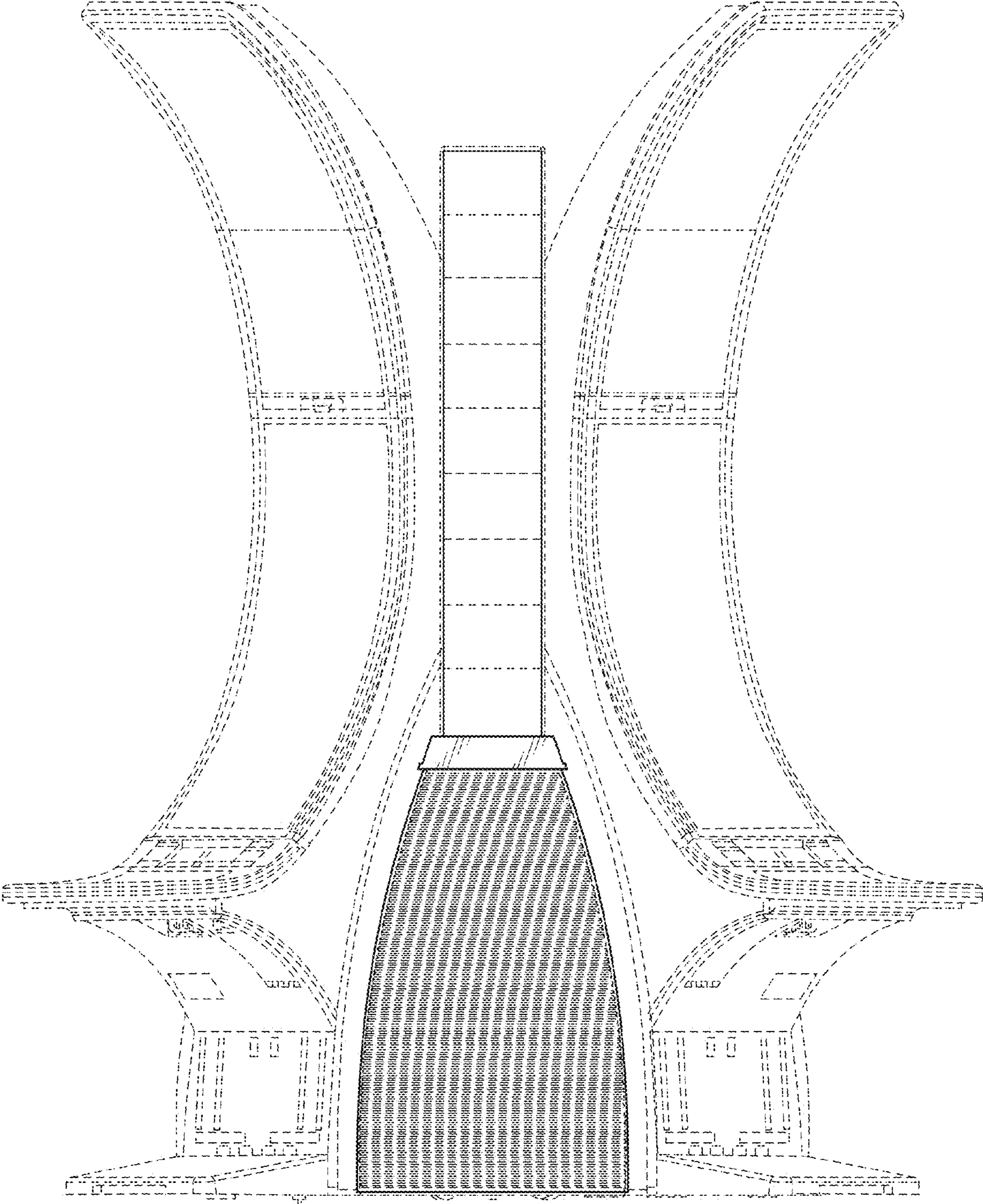


FIG. 10