



US00D982086S

(12) **United States Design Patent**
Kerwin

(10) **Patent No.:** **US D982,086 S**
(45) **Date of Patent:** **** Mar. 28, 2023**

(54) **GAME BOARD**

(71) Applicant: **Lewis Kerwin**, Seattle, WA (US)

(72) Inventor: **Lewis Kerwin**, Seattle, WA (US)

(**) Term: **15 Years**

(21) Appl. No.: **29/809,470**

(22) Filed: **Sep. 28, 2021**

(51) **LOC (14) Cl.** **21-01**

(52) **U.S. Cl.**
USPC **D21/335**; D21/334; D21/348

(58) **Field of Classification Search**
USPC D21/333, 334, 335, 340, 348, 351, 382,
D21/365

CPC .. A63F 2003/00012; A63F 2003/00009; A63F
3/00006; A63F 3/00003; A63F 3/00028;
A63F 3/00094; A63F 3/00097; A63F
2003/00164; A63F 3/00157; A63F
2003/00167; A63F 2003/00182; A63F
2003/00217; A63F 2003/00223; A63F
2003/00233; A63F 2003/00239; A63F
2003/00246; A63F 2003/00255; A63F
2003/00258; A63F 2003/00359; A63F

(Continued)

(56) **References Cited**

U.S. PATENT DOCUMENTS

538,380 A * 4/1895 MoKenzie A63F 3/0023
273/286
724,760 A * 4/1903 Van Altena A63F 3/0023
273/286

(Continued)

OTHER PUBLICATIONS

Nexusgadets_Octagon Rollup Backgammon, published Feb. 20,
2014 [online]. Retrieved from internet (Date: Jan. 11, 2023), [https://tineye.com/search/4bf5bcbcd371973c2cecb4e7b9a0b206f6275ecf?](https://tineye.com/search/4bf5bcbcd371973c2cecb4e7b9a0b206f6275ecf?sort=score&order=desc&page=1)
sort=score&order=desc&page=1 (Year: 2014).*

(Continued)

Primary Examiner — Katherine A Holbrow

Assistant Examiner — Riya Salil Kamat

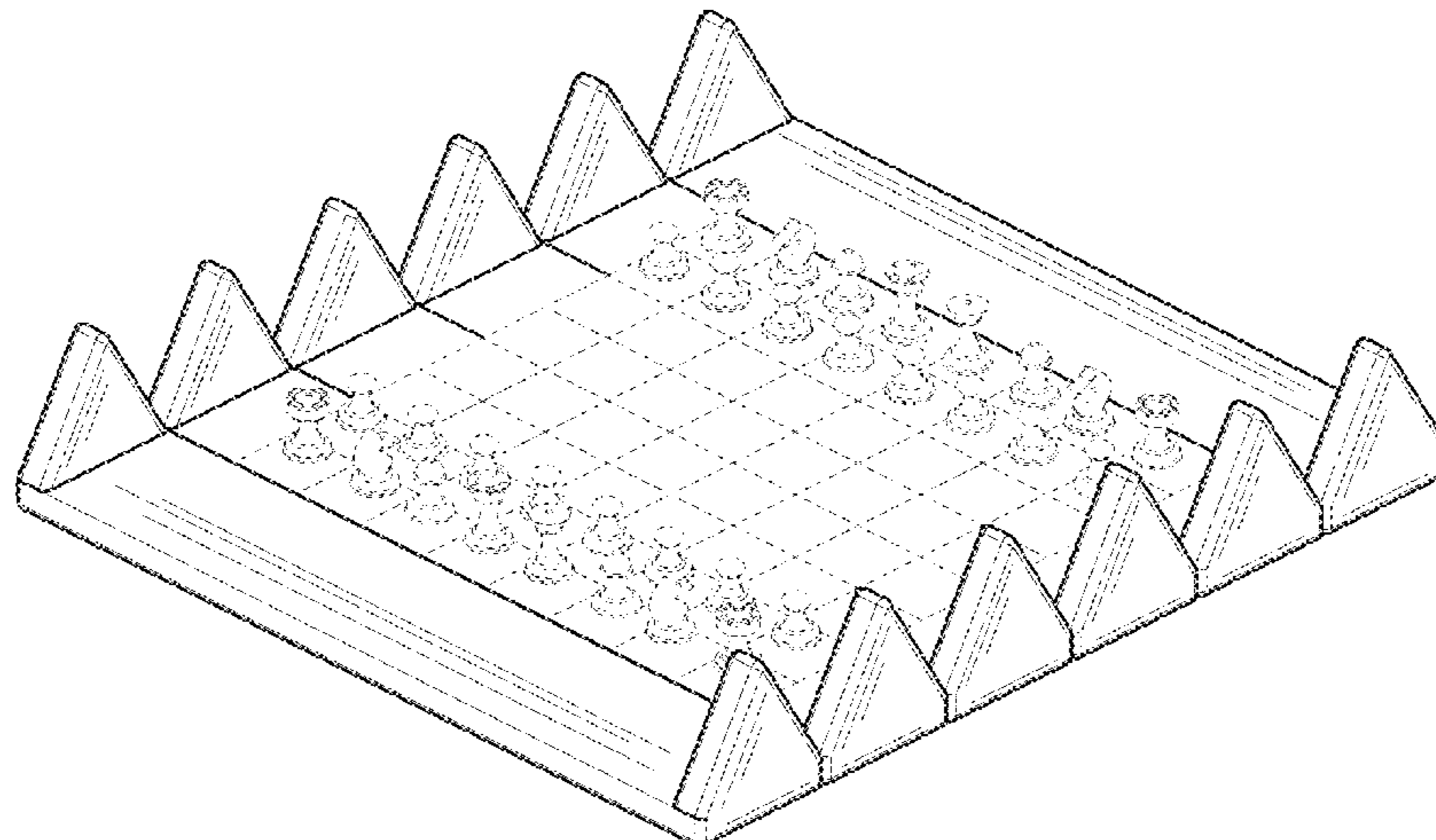
(57) **CLAIM**

The ornamental design for a game board, as shown and described.

DESCRIPTION

FIG. 1 is a front, top perspective view of a game board;
FIG. 2 is a front, bottom perspective view thereof;
FIG. 3 is a front, top perspective view thereof showing game
pieces to illustrate context;
FIG. 4 is a front orthographic view thereof, the rear view
being a mirror image thereof;
FIG. 5 is a right side orthographic view thereof, the left side
view being a mirror image thereof;
FIG. 6 is a top orthographic view thereof;
FIG. 7 is a bottom orthographic view thereof;
FIG. 8 is a front, top perspective view of a rolled game board
of the present disclosure;
FIG. 9 is a front, bottom perspective view thereof;
FIG. 10 is a front orthographic view thereof, the rear view
being a mirror image thereof;
FIG. 11 is a right side orthographic view thereof, the left side
view being a mirror image thereof;
FIG. 12 is a top orthographic view thereof, the bottom view
being a mirror image thereof;
FIG. 13 is a front, top perspective view of a partially rolled
game board of the present disclosure;
FIG. 14 is a front orthographic view thereof;
FIG. 15 is a rear orthographic view thereof;
FIG. 16 is a right side orthographic view thereof, the left side
view being a mirror image thereof;
FIG. 17 is a top orthographic view thereof; and,
FIG. 18 is a bottom, front perspective view thereof.
Broken lines in the drawings are for the purpose of illus-
trating environmental subject matter and form no part of the
claimed design.

1 Claim, 18 Drawing Sheets



(58) **Field of Classification Search**

CPC 2003/00365; A63F 2003/00362; A63F
 2003/007; A63F 2003/00725; A63F
 2003/00716; A63F 2003/0075; A63F
 2003/00747; A63F 2003/00823; A63F
 3/02; A63F 3/027; A63F 2003/0486;
 A63F 2003/0492; A63F 3/0605; A63F
 5/00; A63F 5/0005; A63F 5/04; A63F
 5/041; A63F 9/0078

See application file for complete search history.

(56) **References Cited**

U.S. PATENT DOCUMENTS

2,221,267 A * 11/1940 Robertson A63F 3/00895
 273/285
 D204,277 S * 4/1966 Neal 273/285
 4,261,576 A * 4/1981 Friedenthal A63F 3/00088
 273/285
 D262,124 S * 12/1981 Sholl D21/349
 4,527,800 A * 7/1985 Samansky A63F 3/00176
 273/287
 4,781,384 A * 11/1988 Bois A63F 3/0023
 273/284
 5,497,998 A * 3/1996 Horton A63F 3/0023
 273/285
 5,577,730 A * 11/1996 Vannozzi, Sr. A63F 3/0023
 383/7
 6,196,546 B1 * 3/2001 Iglesias A63F 3/0023
 273/287

6,203,017 B1 * 3/2001 Schultz A63F 3/0023
 273/287
 D556,267 S * 11/2007 Nip D21/349
 D562,911 S * 2/2008 Phelps D21/349
 7,568,702 B2 * 8/2009 Holden A63F 3/00895
 273/287
 8,434,428 B2 * 5/2013 Reiter A01K 15/027
 119/702
 D763,360 S * 8/2016 Rouse, Jr. D21/349
 D911,450 S * 2/2021 Peeters D21/336
 D960,246 S * 8/2022 Rees D21/334
 2015/0283452 A1 * 10/2015 Chuang A63F 3/0423
 273/272
 2022/0280864 A1 * 9/2022 Kerwin A63F 3/0023

OTHER PUBLICATIONS

BicycleStore, Sunglasses Travel Organizer, published Aug. 25, 2021 [online]. Retrieved from internet (Date: Jan. 11, 2023), https://www.amazon.com/Sunglasses-Organizer-BicycleStore-Eyeglasses-Collector/dp/B094Y4ZHLQ/ref=cm_cr_arp_d_product_top?ie=UTF8&th=1 (Year: 2021).*

Puckerings, Antique Wooden Travel Chess Board, date of manufacture 1900, Retrieved from internet (Date: Jan. 11, 2023), <https://www.sellingantiques.co.uk/512263/antique-wooden-travel-chess-board-roll-up-c1900/> (Year: 1900).*

Lewis Kerwin, VentureBoard, published Jul. 26, 2022 [online]. Retrieved from internet (Date: Jan. 11, 2023), <https://www.kickstarter.com/projects/1946899751/ventureboard-a-chess-board-ready-for-adventure> (Year: 2022).*

* cited by examiner

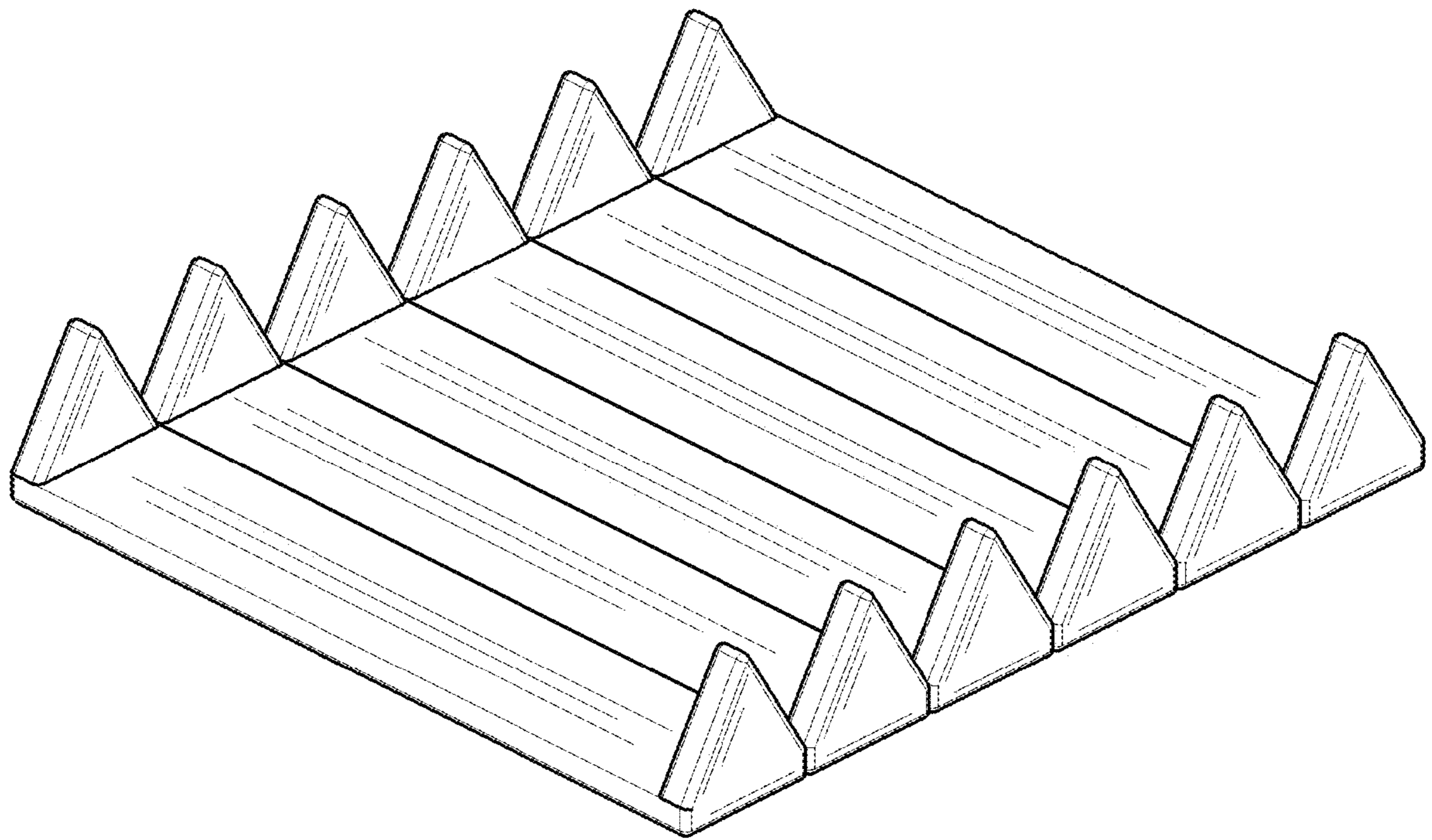


FIG. 1

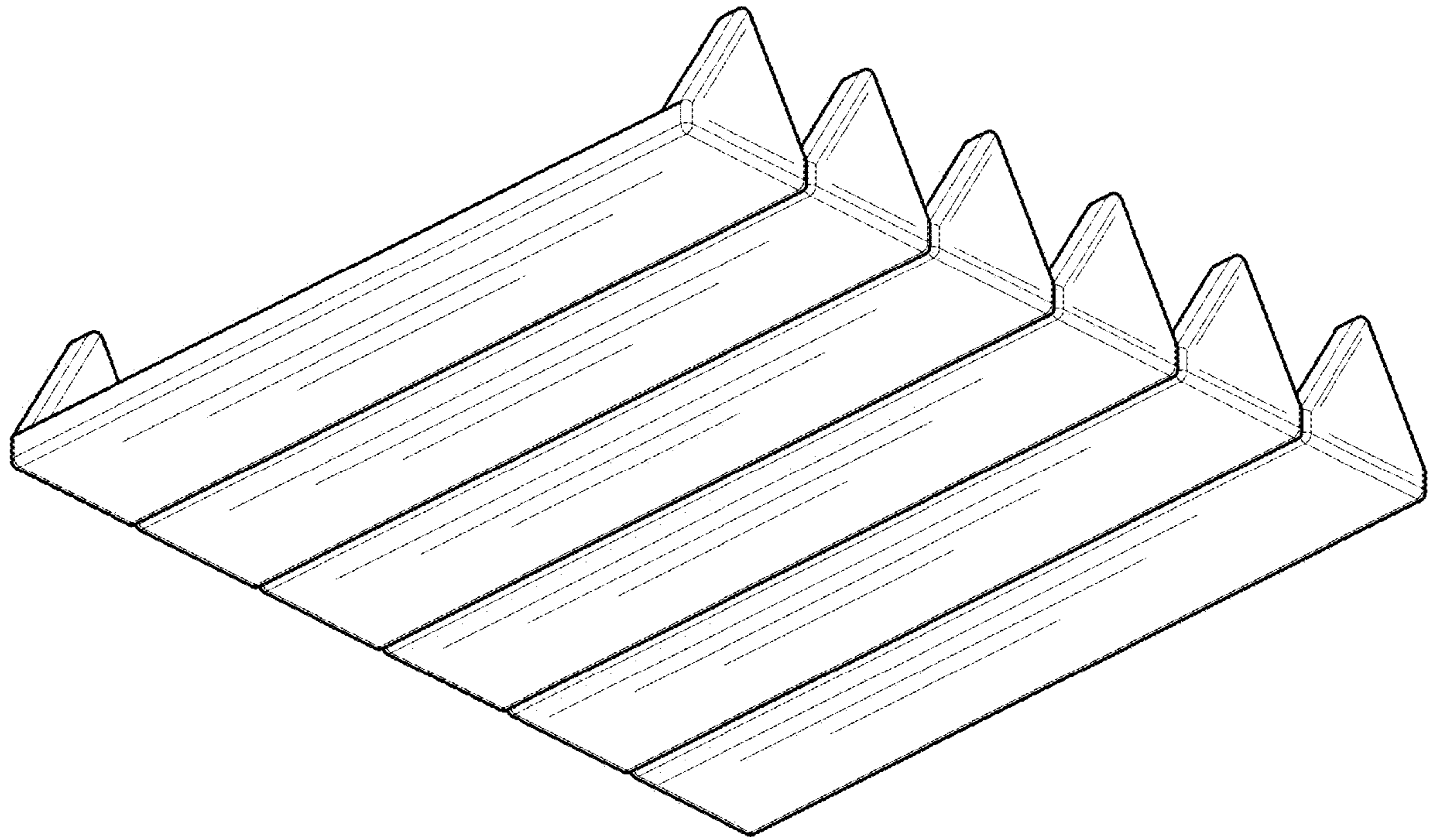


FIG. 2

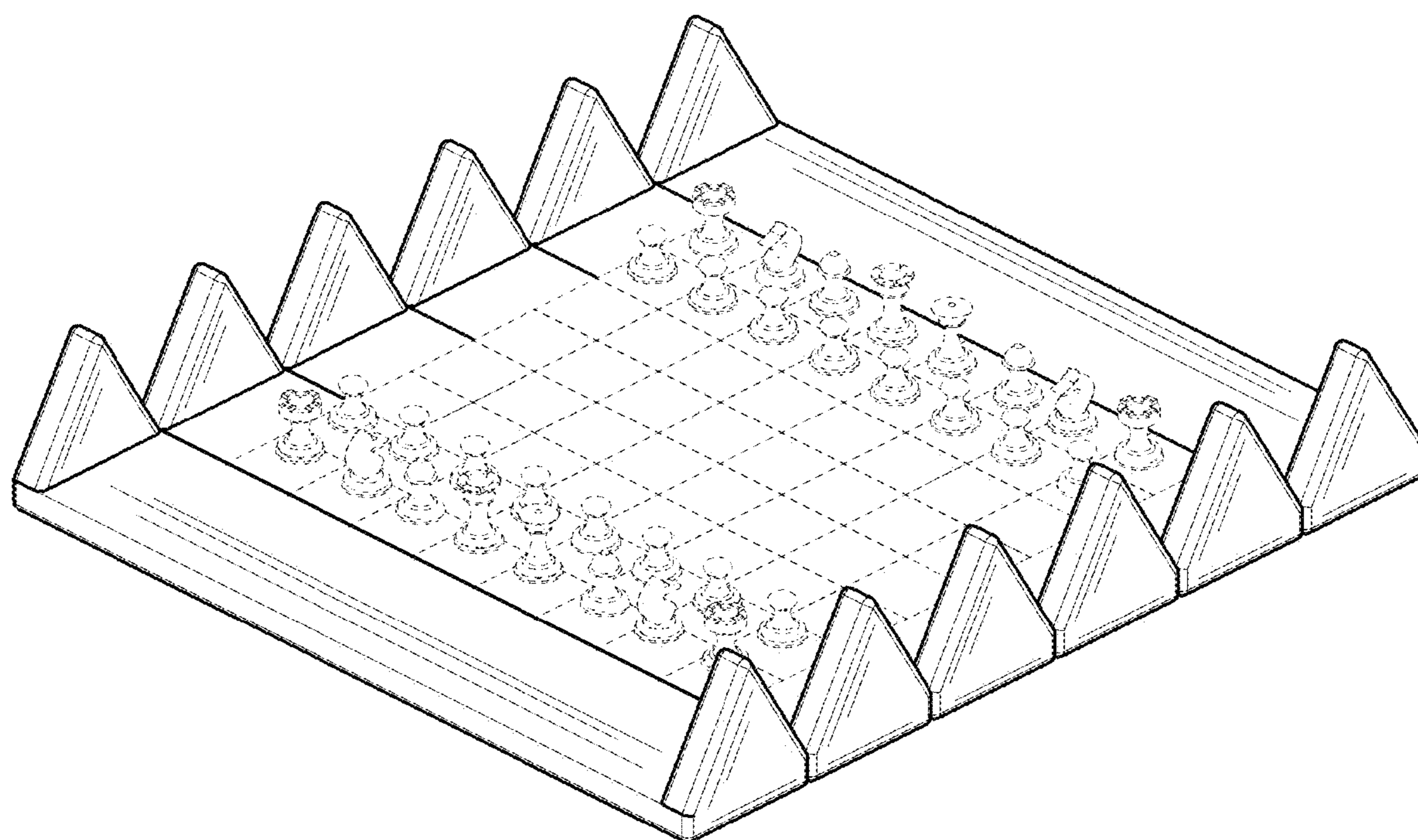


FIG. 3

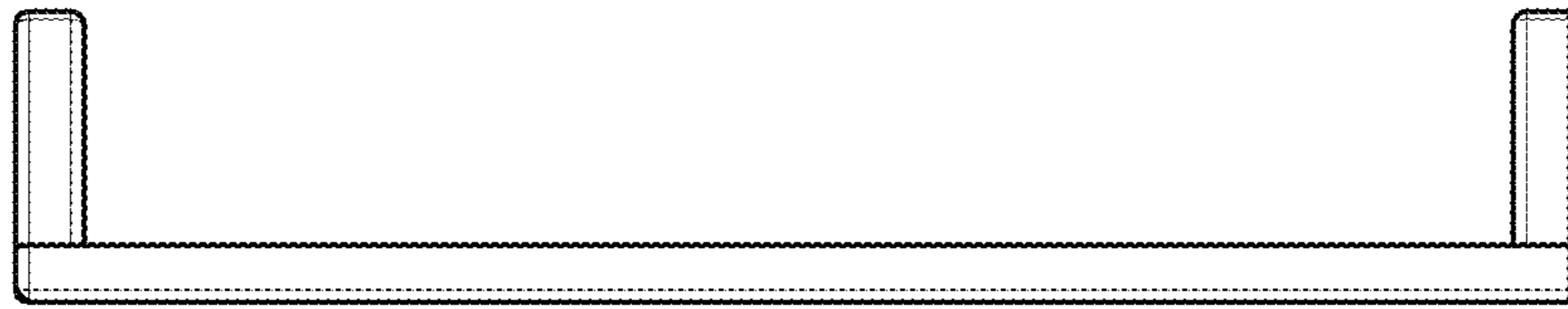


FIG. 4

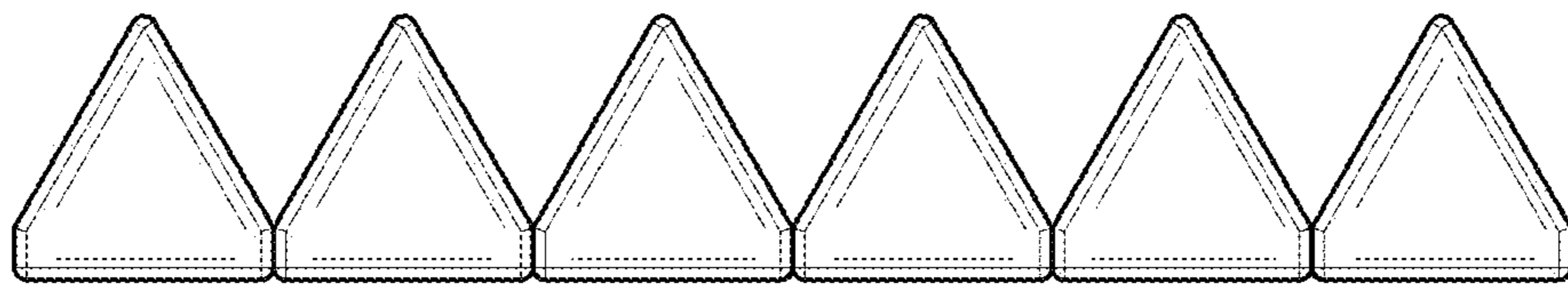


FIG. 5

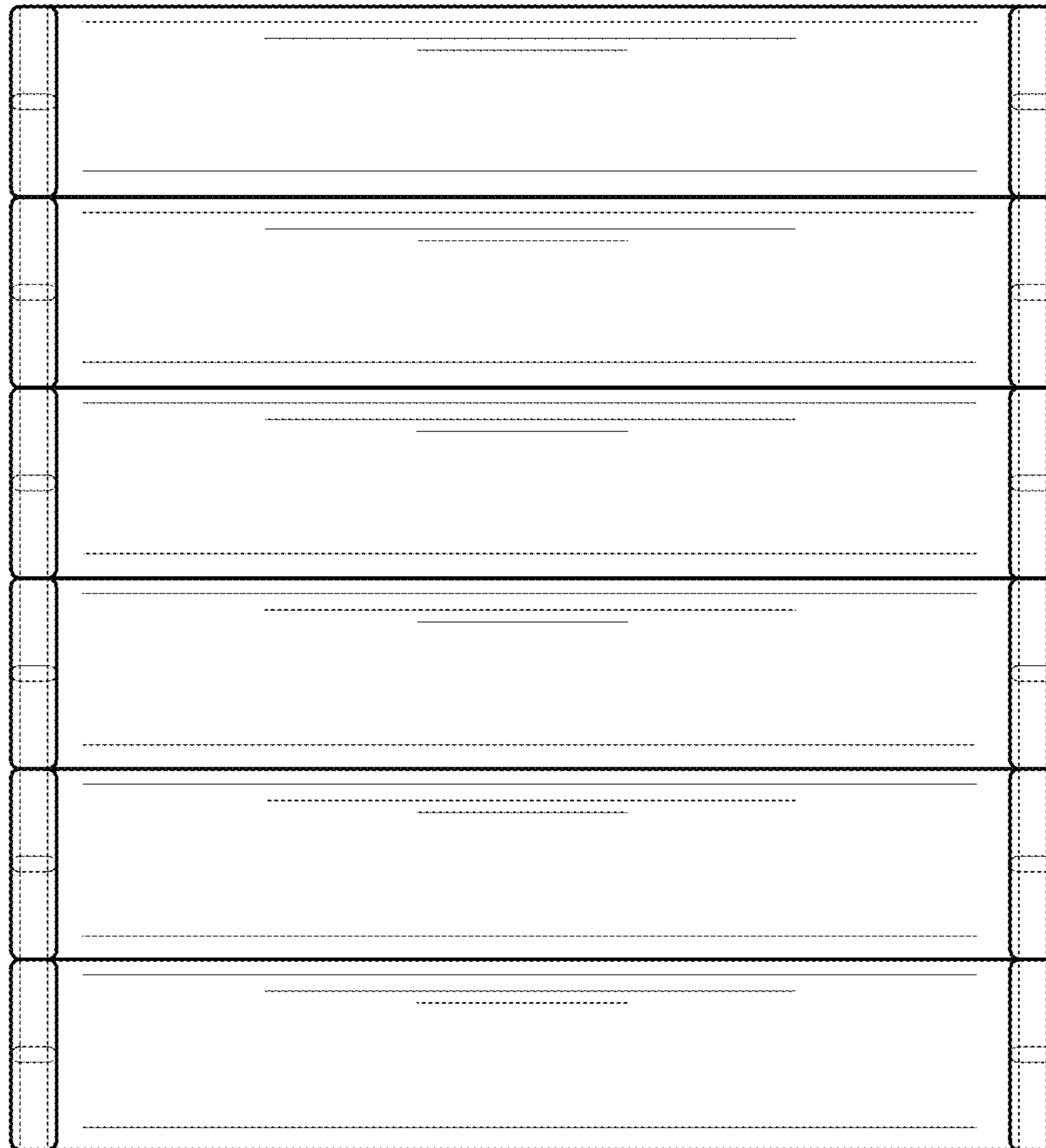


FIG. 6

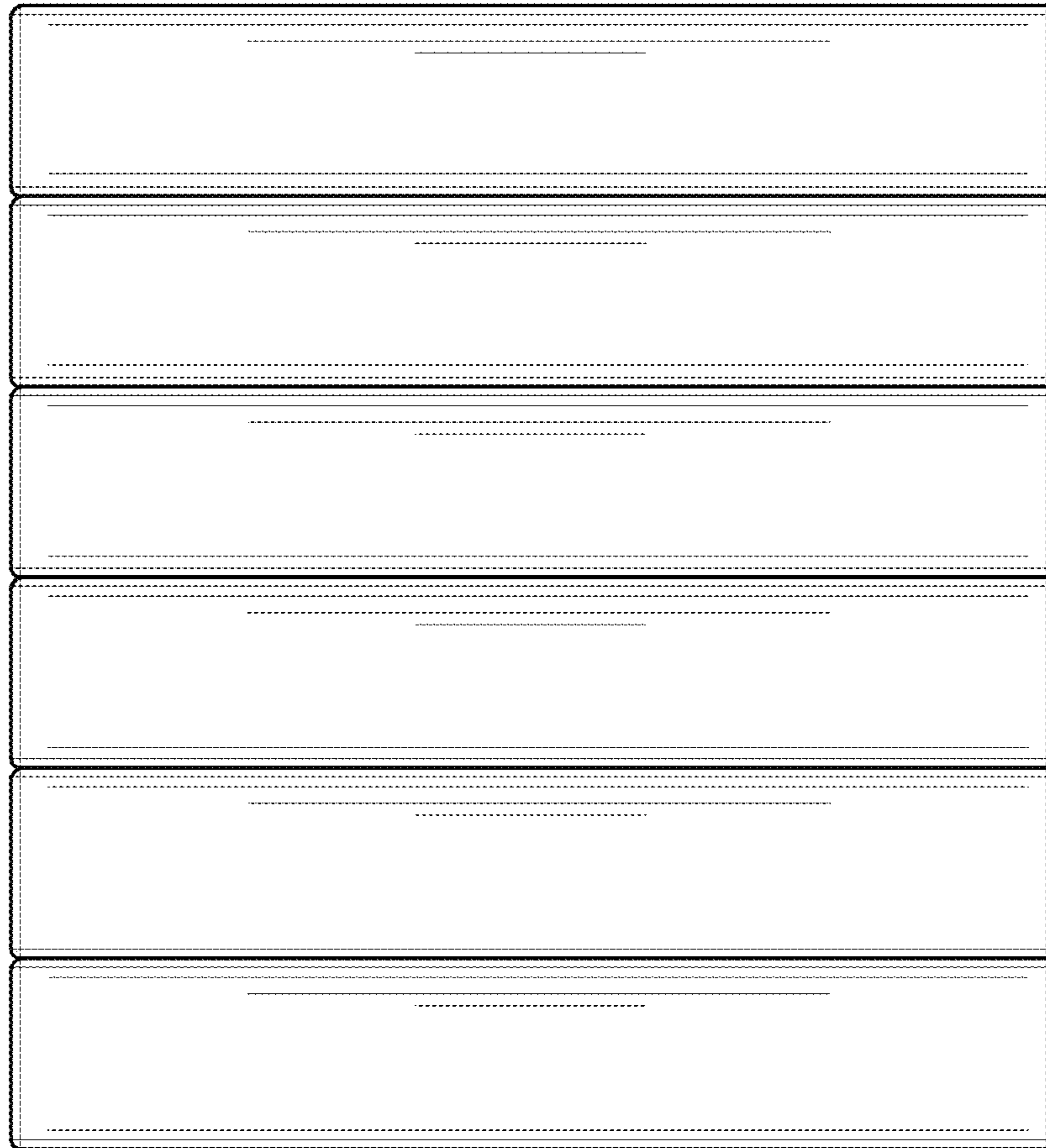


FIG. 7

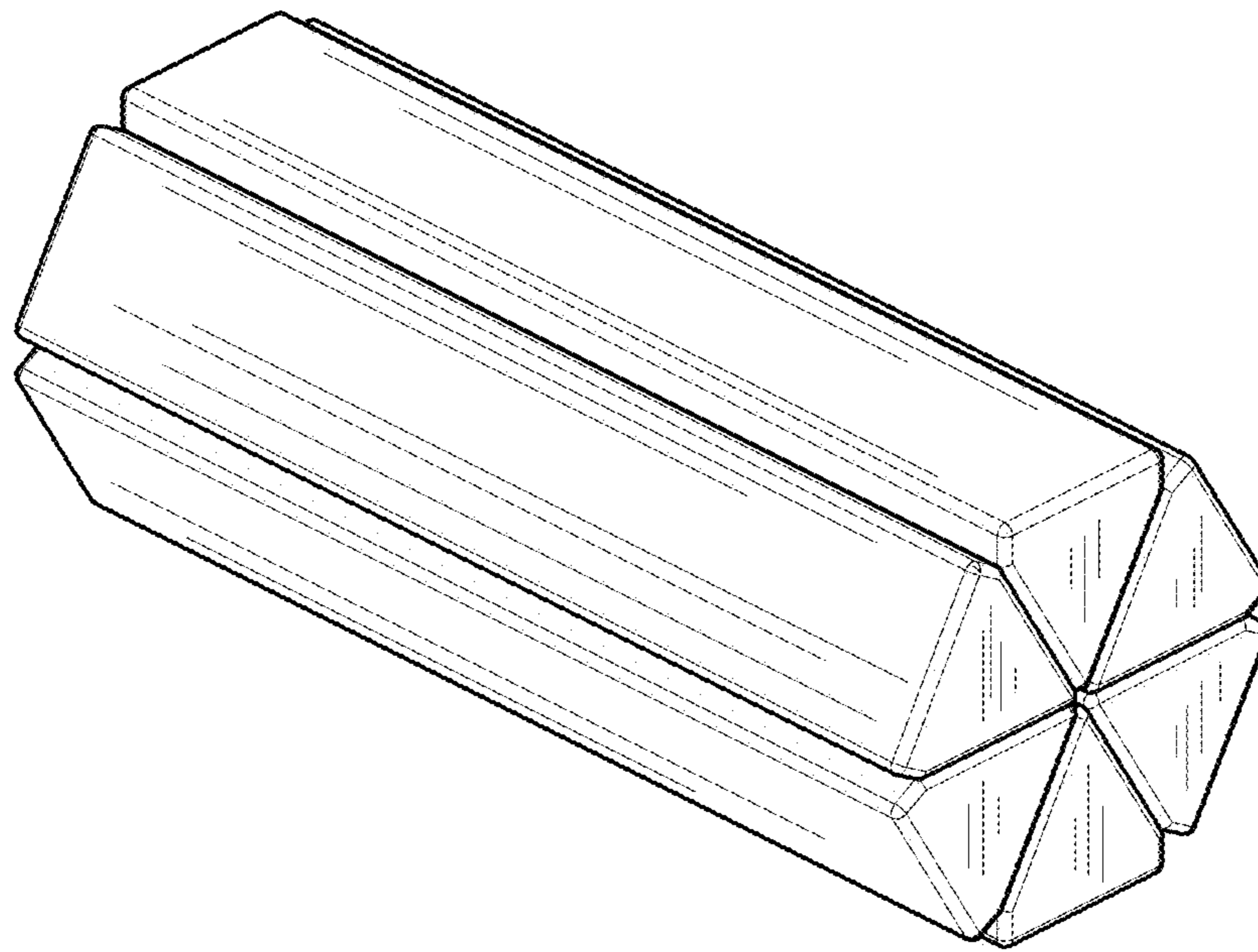


FIG. 8

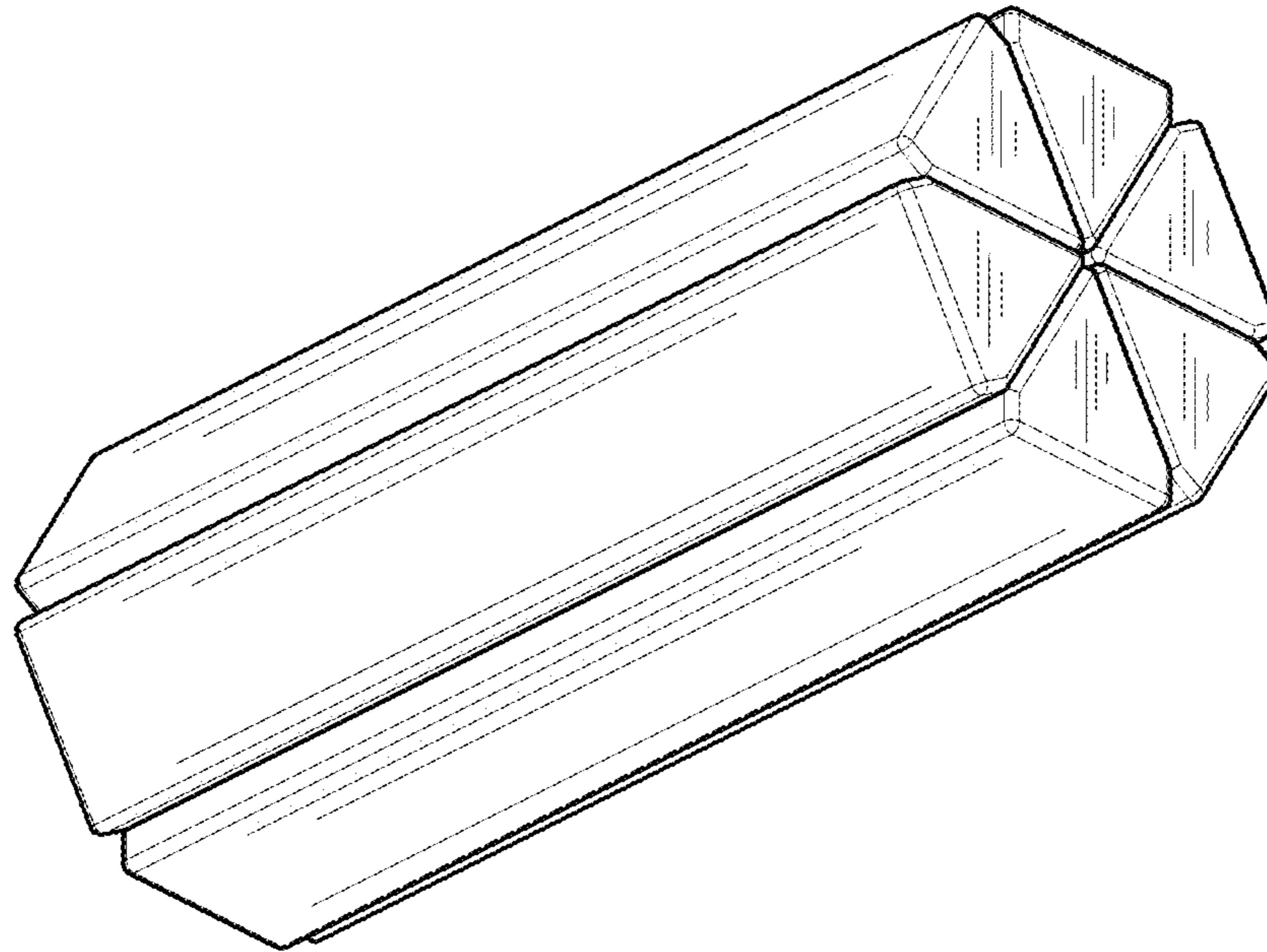


FIG. 9

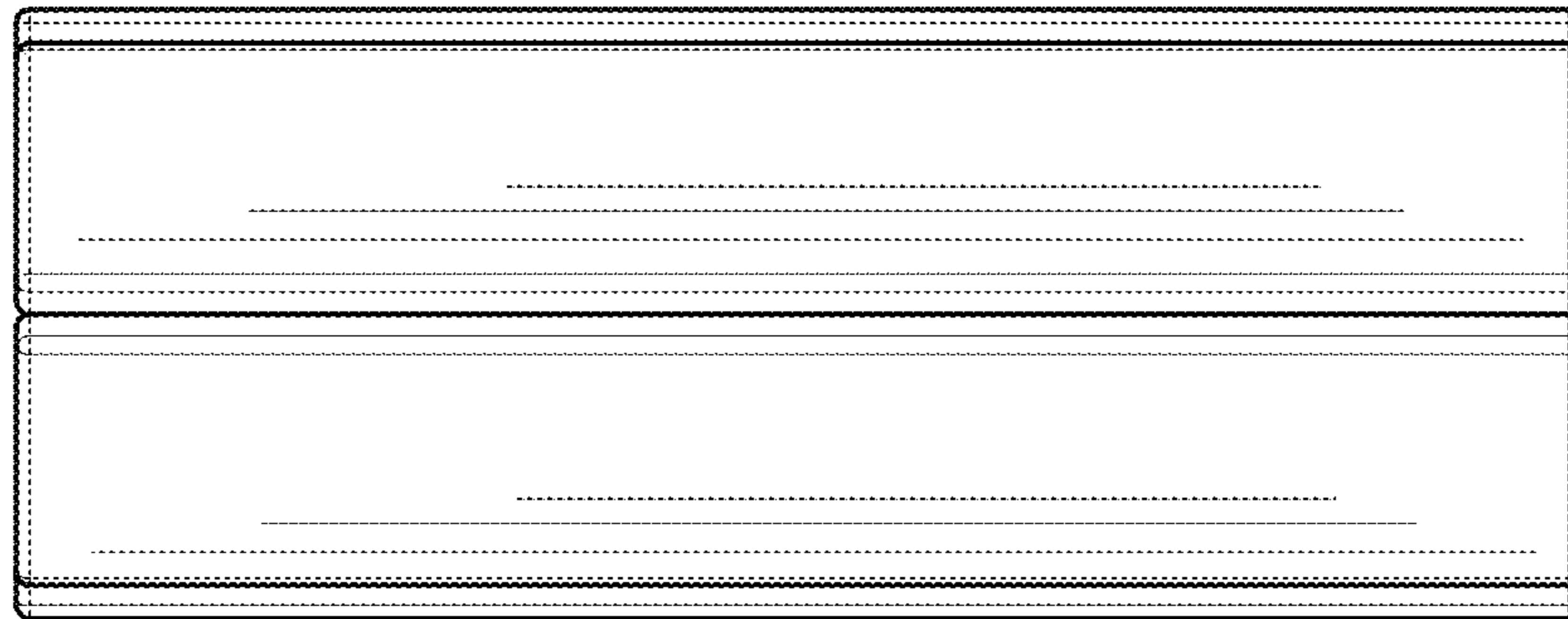


FIG. 10

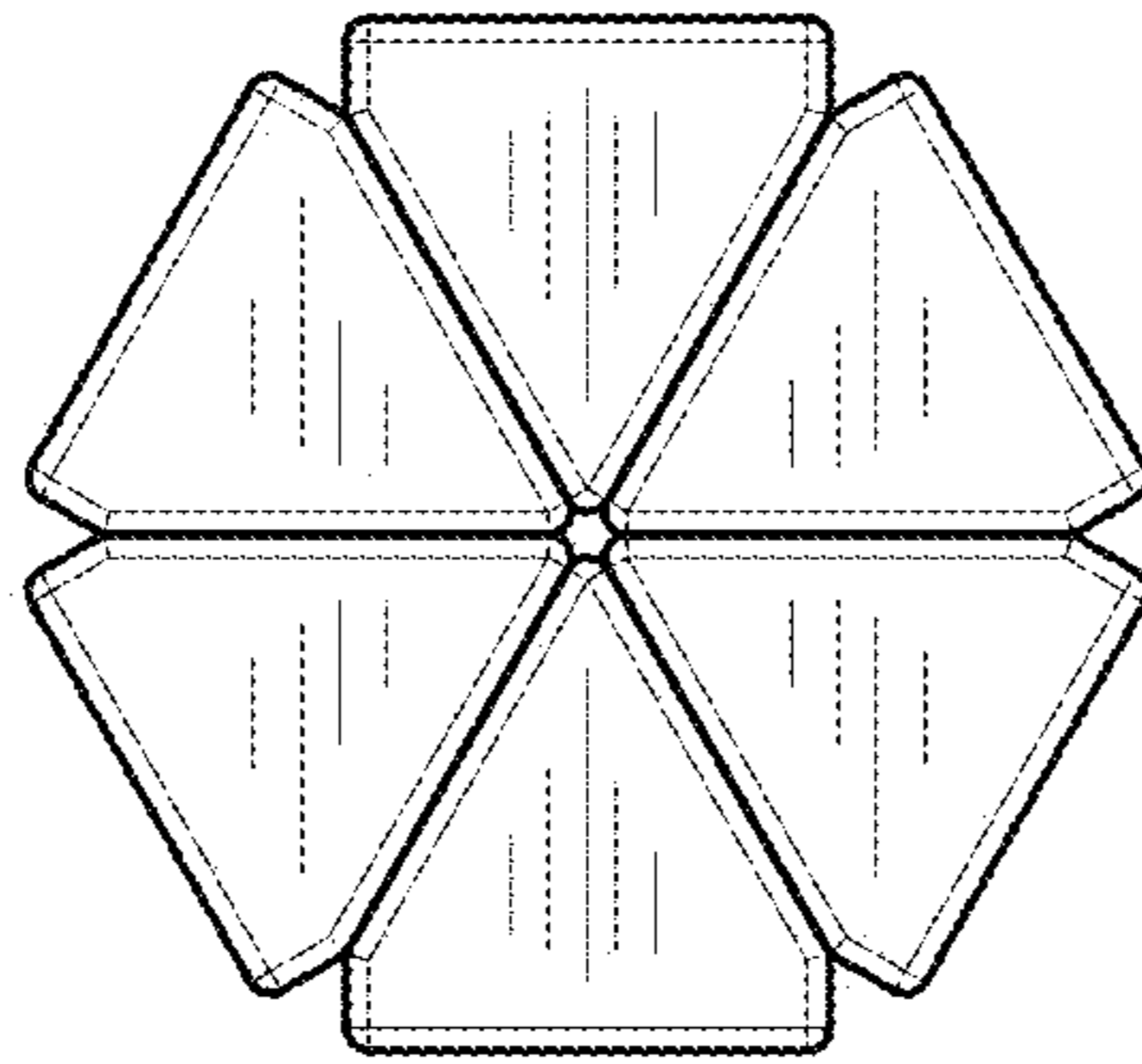


FIG. 11

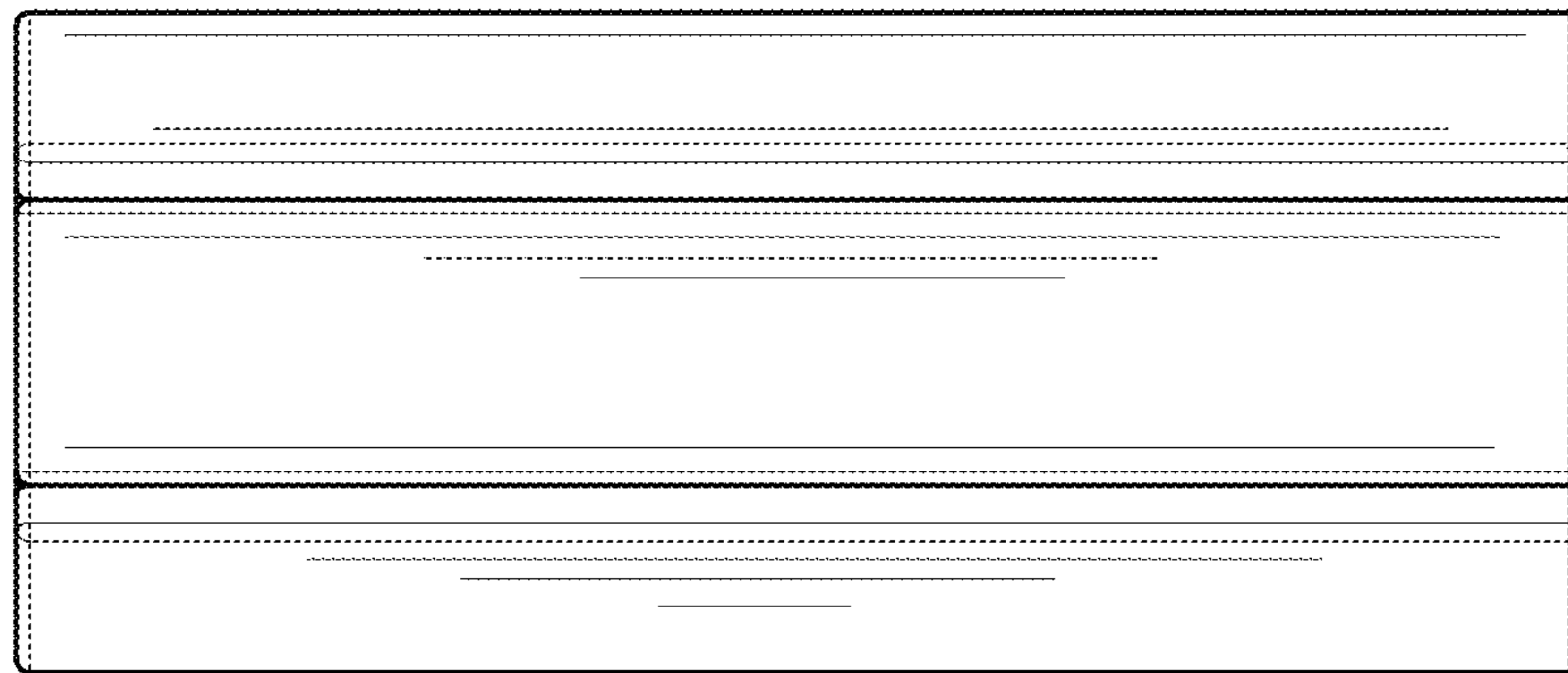


FIG. 12

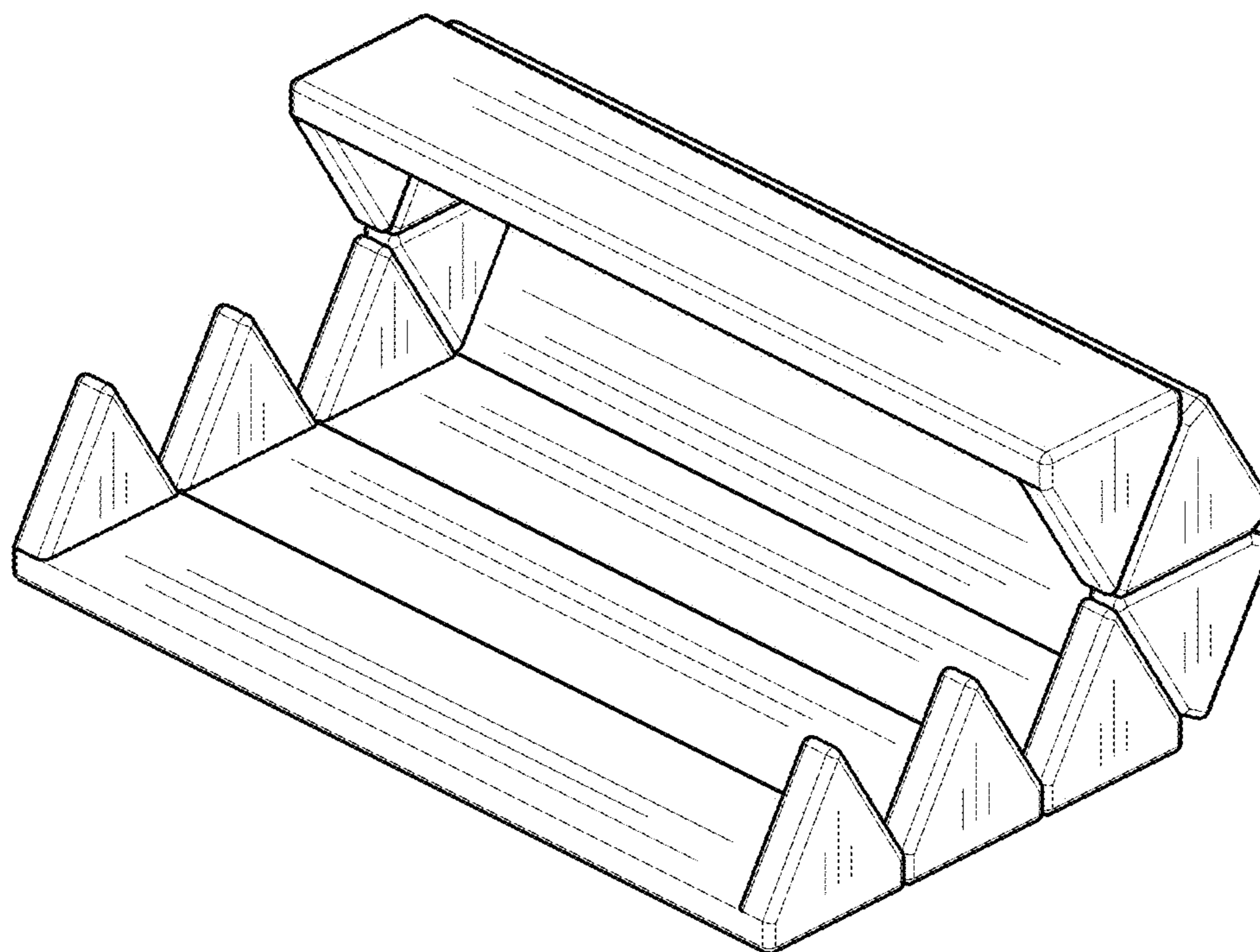


FIG. 13

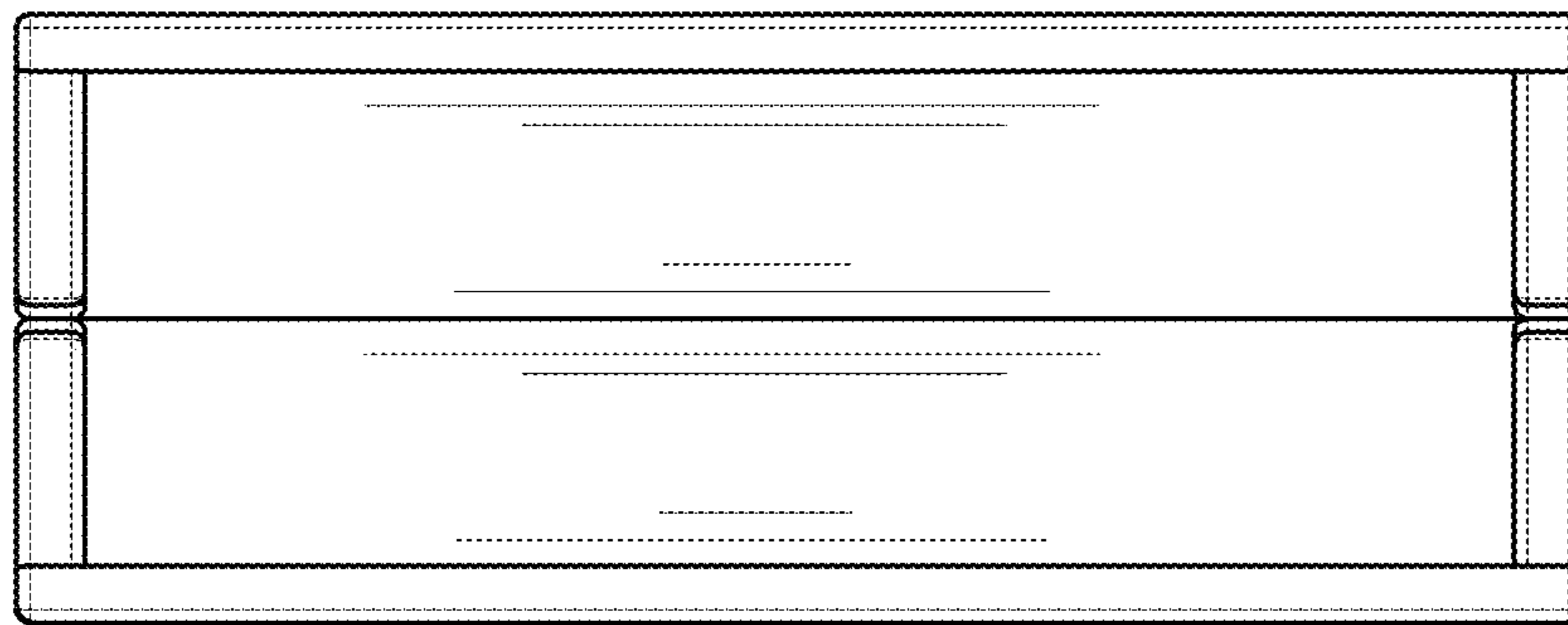


FIG. 14

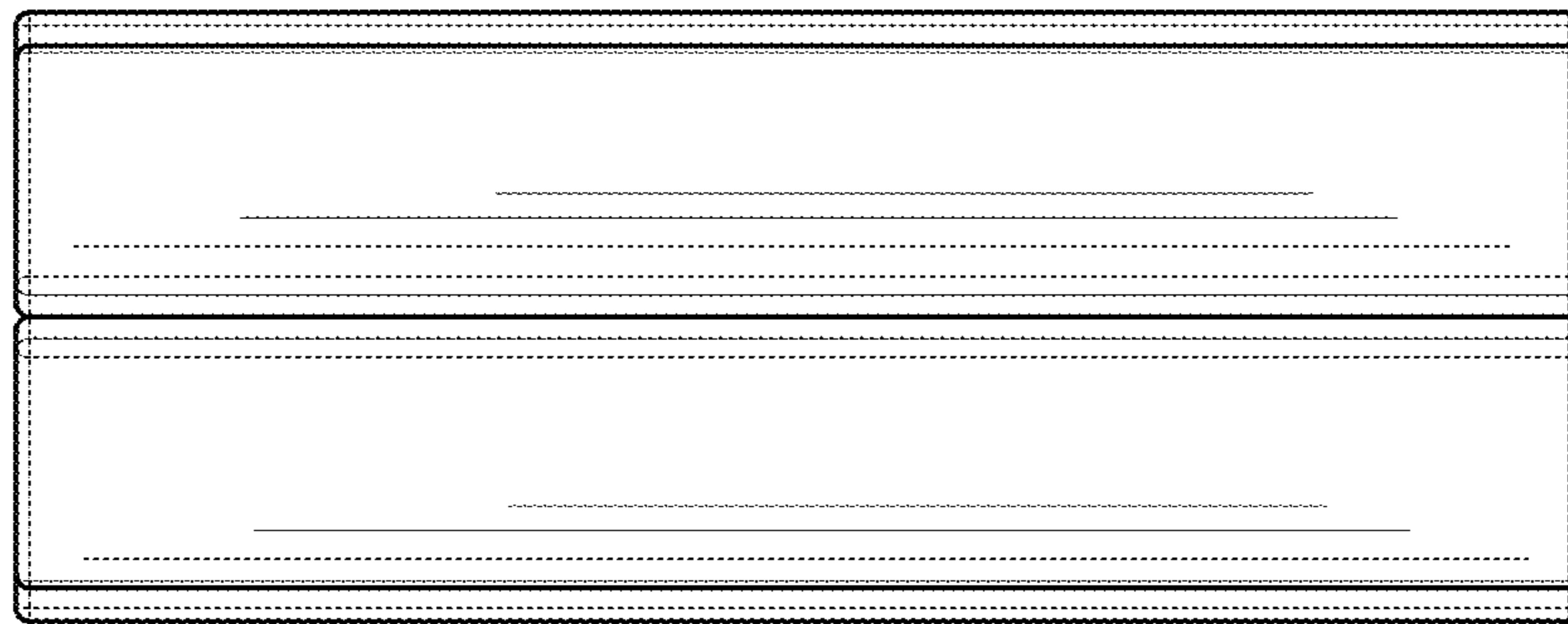


FIG. 15

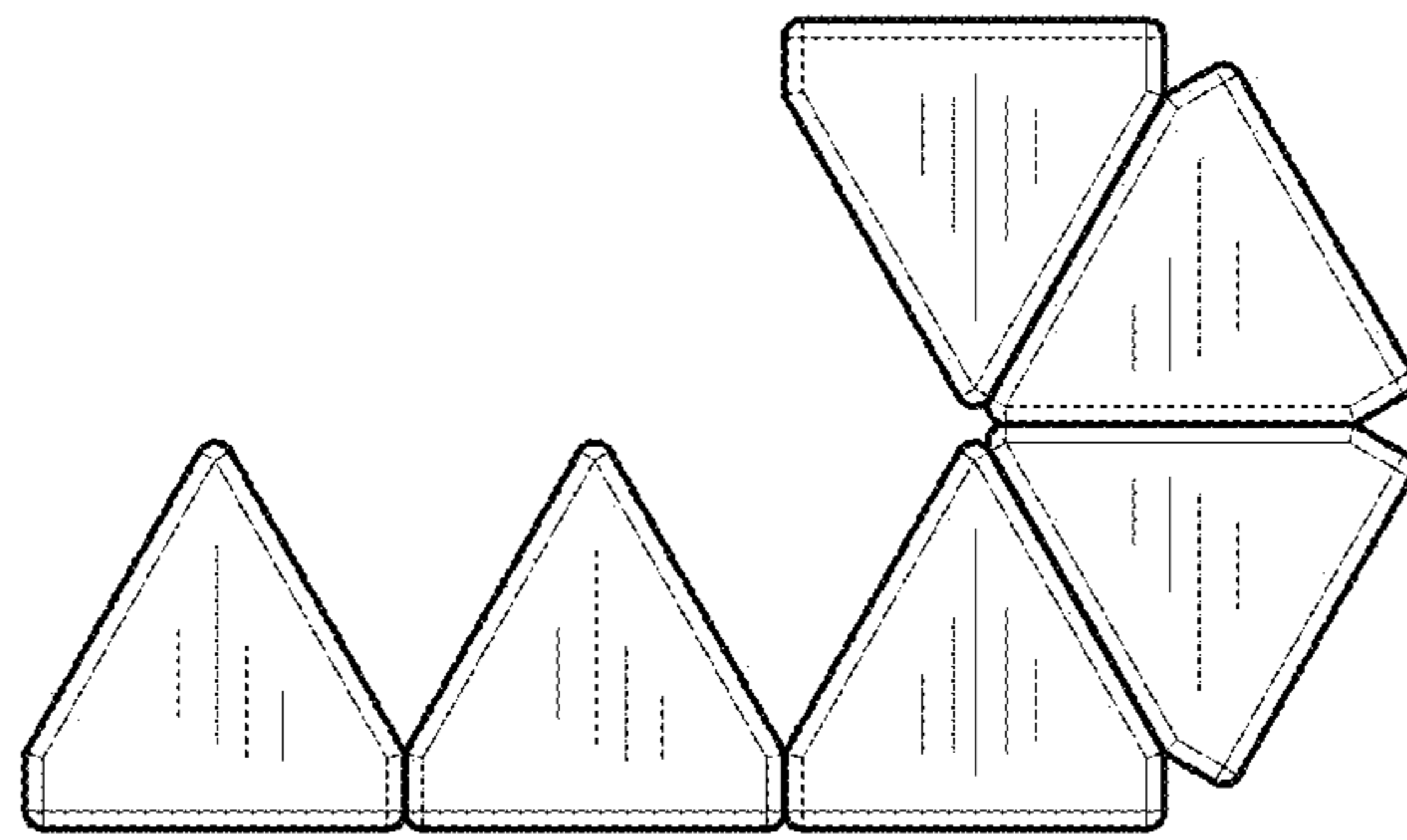


FIG. 16

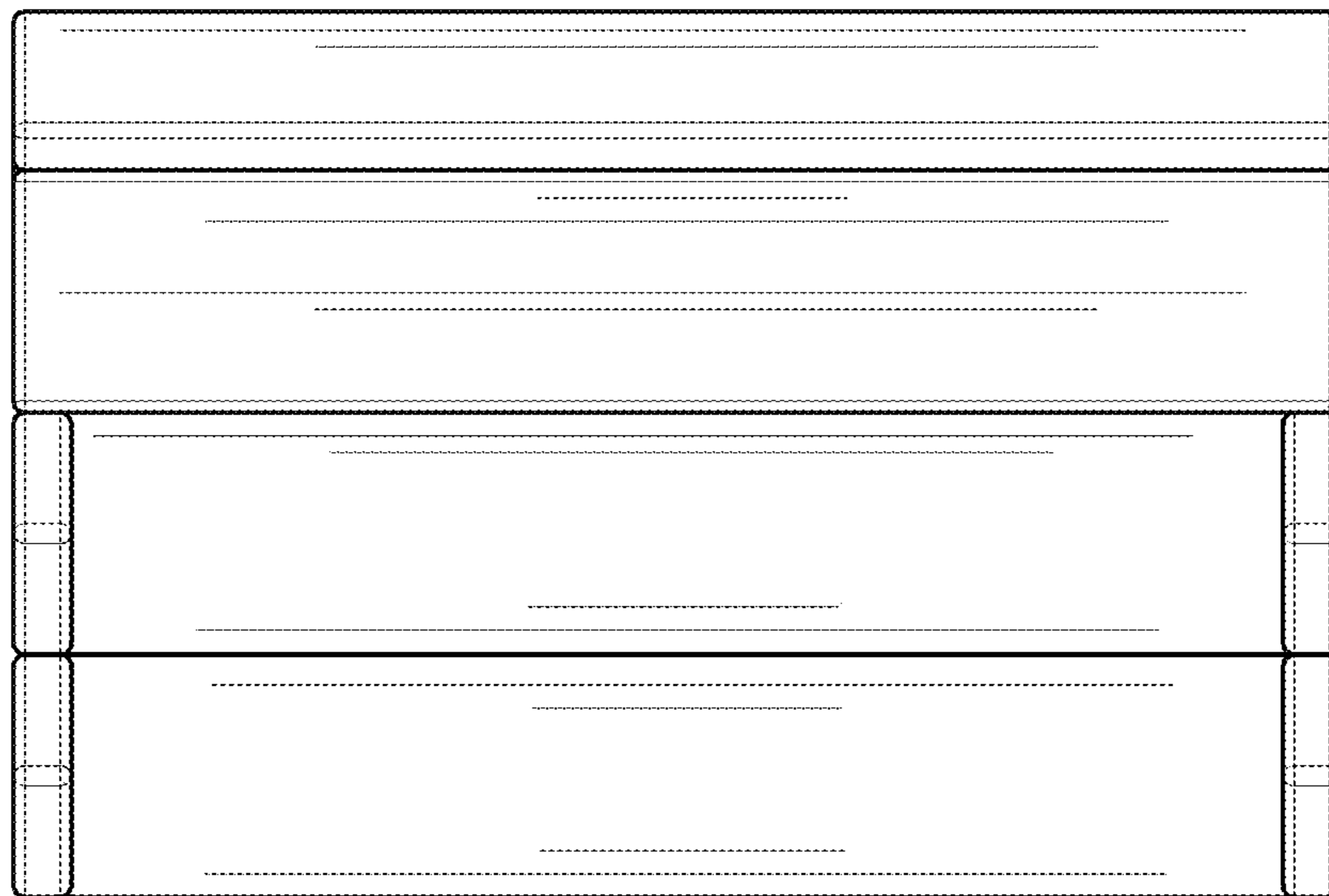


FIG. 17



FIG. 18