



US00D982084S

(12) **United States Design Patent**  
**Cockrell**

(10) **Patent No.:** **US D982,084 S**  
(45) **Date of Patent:** **\*\* Mar. 28, 2023**

- (54) **HOOP TOSS YARD GAME SET**
- (71) Applicant: **Thingamagame, LLC**, Kenosha, WI (US)
- (72) Inventor: **Larry R. Cockrell**, Kenosha, WI (US)
- (73) Assignee: **Thingamagame, LLC**, Kenosha, WI (US)
- (\*\*) Term: **15 Years**
- (21) Appl. No.: **29/772,324**
- (22) Filed: **Mar. 1, 2021**

D70,510 S *	7/1926	Schacht	.....	D21/304
1,694,917 A	12/1928	Hose		
2,073,324 A	3/1937	Stockton		
2,538,128 A	1/1951	Simmons		
2,567,497 A	9/1951	Sorensen		
2,626,062 A *	1/1953	Manzella	.....	D05B 91/14 242/139

(Continued)

**Related U.S. Application Data**

- (63) Continuation-in-part of application No. 16/037,736, filed on Jul. 17, 2018, now abandoned.
- (60) Provisional application No. 62/533,213, filed on Jul. 17, 2017.
- (51) **LOC (14) Cl.** ..... **21-01**
- (52) **U.S. Cl.**  
USPC ..... **D21/304**
- (58) **Field of Classification Search**  
USPC ..... D21/300-307, 319, 335, 312, 322, 324, D21/342, 386, 699, 705, 731, 771, 780, D21/789, 790, 791, 804, 805; 473/164, 473/172, 197, 436  
CPC ..... A63B 63/00; A63B 71/022; A63B 65/00; A63B 1/00; A63B 67/00; A63B 63/04; A63B 63/045; A63F 1/067; A47B 25/00  
See application file for complete search history.

(56) **References Cited**

**U.S. PATENT DOCUMENTS**

- |             |         |           |       |                        |
|-------------|---------|-----------|-------|------------------------|
| 738,401 A * | 9/1903  | Branham   | ..... | A63B 67/083<br>D21/303 |
| 1,138,234 A | 5/1915  | Martin    |       |                        |
| 1,153,395 A | 9/1915  | Hlehman   |       |                        |
| 1,433,377 A | 10/1922 | Joyner    |       |                        |
| 1,501,942 A | 7/1924  | Carman    |       |                        |
| 1,523,527 A | 1/1925  | Heidinger |       |                        |
| 1,523,756 A | 1/1925  | Collins   |       |                        |

**OTHER PUBLICATIONS**

Advisory Action with East Search History for U.S. Appl. No. 16/037,736, filed Jul. 17, 2018, dated Dec. 5, 2019.

*Primary Examiner* — Mehri F Bajoul

(74) *Attorney, Agent, or Firm* — Boyle Fredrickson, S.C.

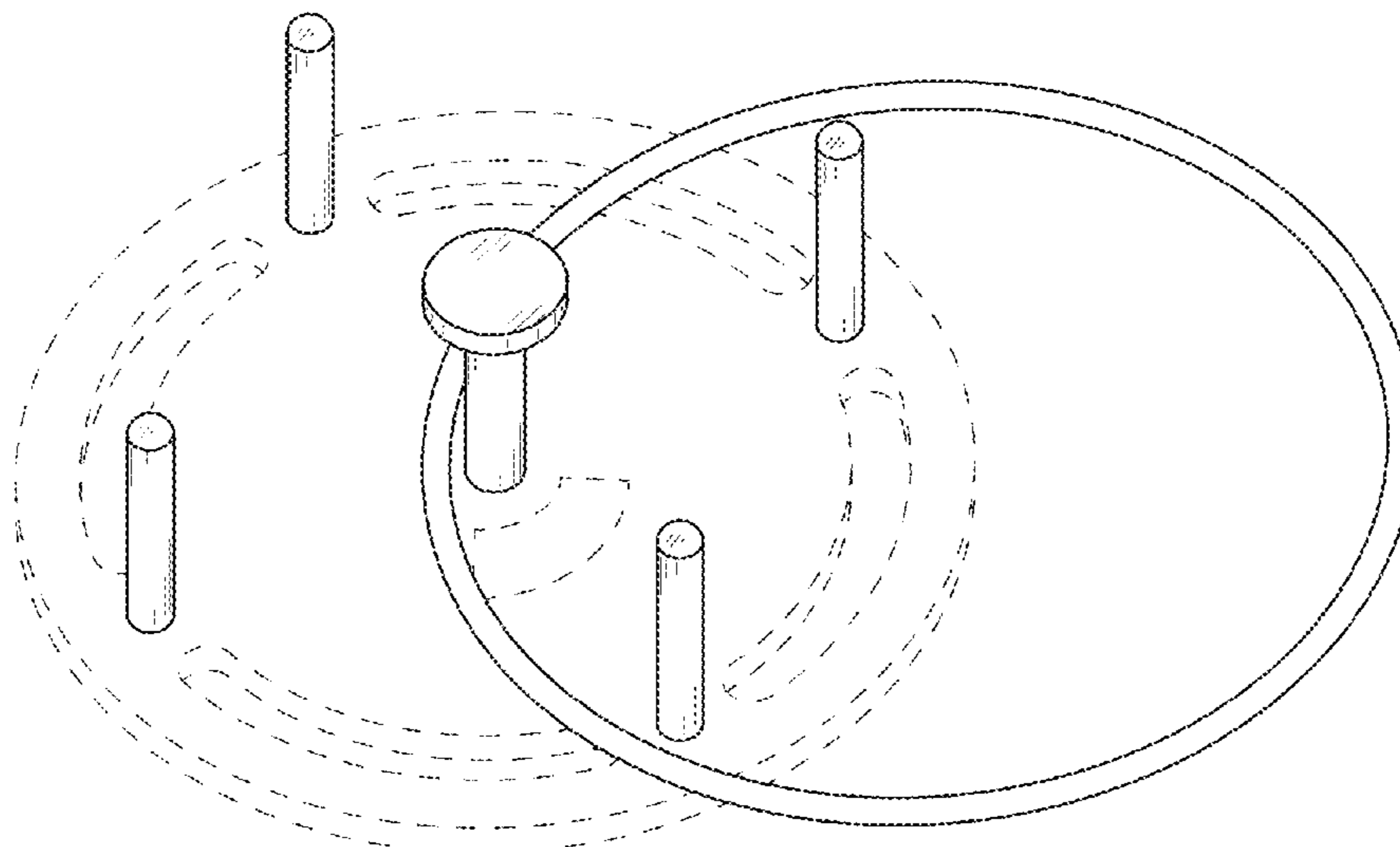
(57) **CLAIM**

The ornamental design for a hoop toss yard game set, substantially as shown and described.

**DESCRIPTION**

FIG. 1 is a top perspective view of a hoop toss yard game set showing my new design;  
 FIG. 2 is an exploded top plan view thereof;  
 FIG. 3 is top plan view of FIG. 1;  
 FIG. 4 is a side elevational view shown separately from the toss ring for ease of illustration;  
 FIG. 5 is another side elevational view shown separately from the toss ring for ease of illustration.  
 FIG. 6 is a top perspective view of a hoop toss yard game set showing the claimed design in an environment of use;  
 FIG. 7 is an exploded top plan view thereof;  
 FIG. 8 is top plan view of FIG. 6;  
 FIG. 9 is a side elevational view thereof; shown separately from the toss ring for ease of illustration; and,  
 FIG. 10 is another side elevational view thereof; shown separately from the toss ring for ease of illustration.  
 The broken lines showing of a Can, in FIGS. 6-10, illustrate an environmental structure. The remaining broken lines depict portions of the hoop toss yard game set that form no part of the claimed design.

**1 Claim, 8 Drawing Sheets**



(56)

**References Cited**

## U.S. PATENT DOCUMENTS

2,809,837	A	10/1957	Shepherd	
2,922,650	A	1/1960	Shepherd	
3,119,619	A	2/1964	Dean	
3,507,496	A	4/1970	Miller	
3,823,942	A	7/1974	Duncan	
3,866,916	A *	2/1975	Clarke	..... A63F 9/0243 273/338
4,045,028	A	8/1977	Dyess	
4,180,266	A *	12/1979	Morin	..... A63B 67/06 273/338
D257,745	S *	12/1980	Abraham	..... D21/304
4,898,392	A	2/1990	Goletz	
4,964,644	A	10/1990	Hull et al.	
4,966,373	A	10/1990	Houle et al.	
5,067,727	A *	11/1991	Crompton	..... A63B 67/06 473/573
D341,382	S *	11/1993	Deming	..... D21/304
D370,032	S *	5/1996	Bidwell	..... D21/304
6,135,455	A	10/2000	McNally	
D453,359	S *	2/2002	Naslund	..... D21/301
2006/0103072	A1	5/2006	Mercieca	
2010/0176554	A1 *	7/2010	Godwin	..... A63B 67/06 273/338
2010/0181726	A1 *	7/2010	Bos	..... A63B 67/06 273/336
2013/0062830	A1	3/2013	Brunner	
2014/0001705	A1 *	1/2014	Goebel	..... A63B 67/06 273/338
2020/0001158	A1 *	1/2020	Poetter	..... A63B 67/06
2020/0360783	A1 *	11/2020	Rause	..... A63B 67/06
2021/0331054	A1 *	10/2021	Parmeter	..... A63B 67/06

\* cited by examiner

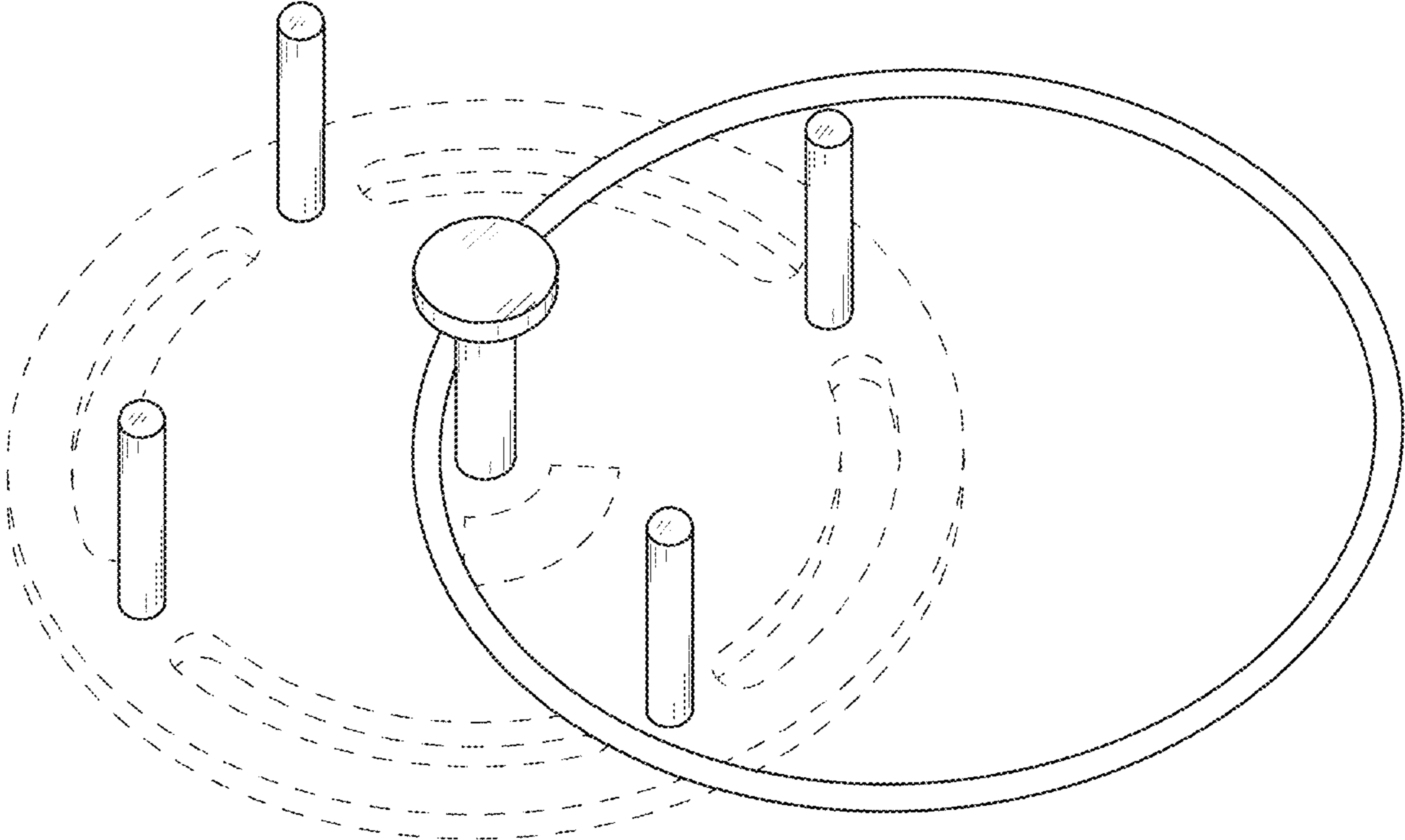


FIG. 1

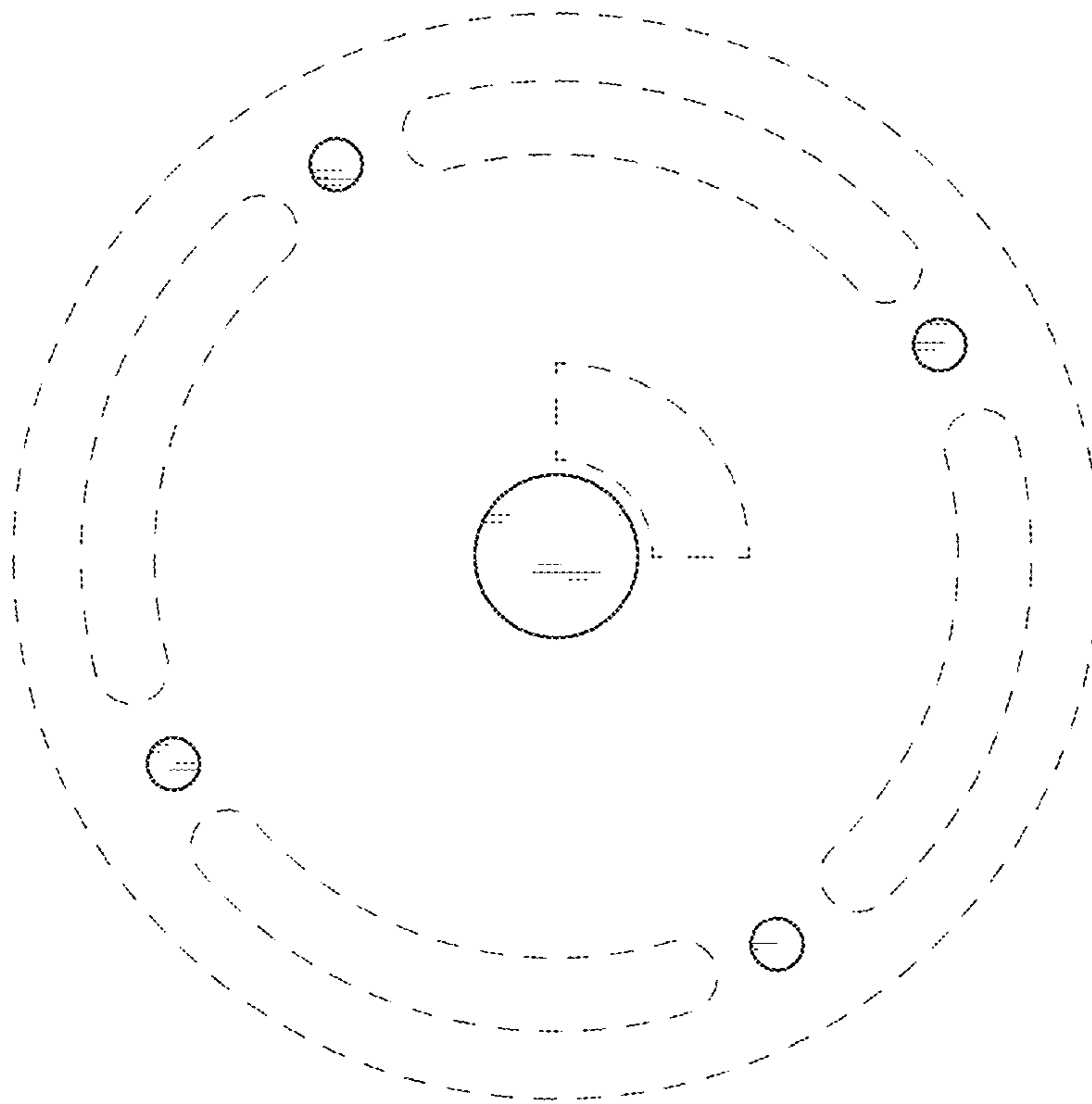
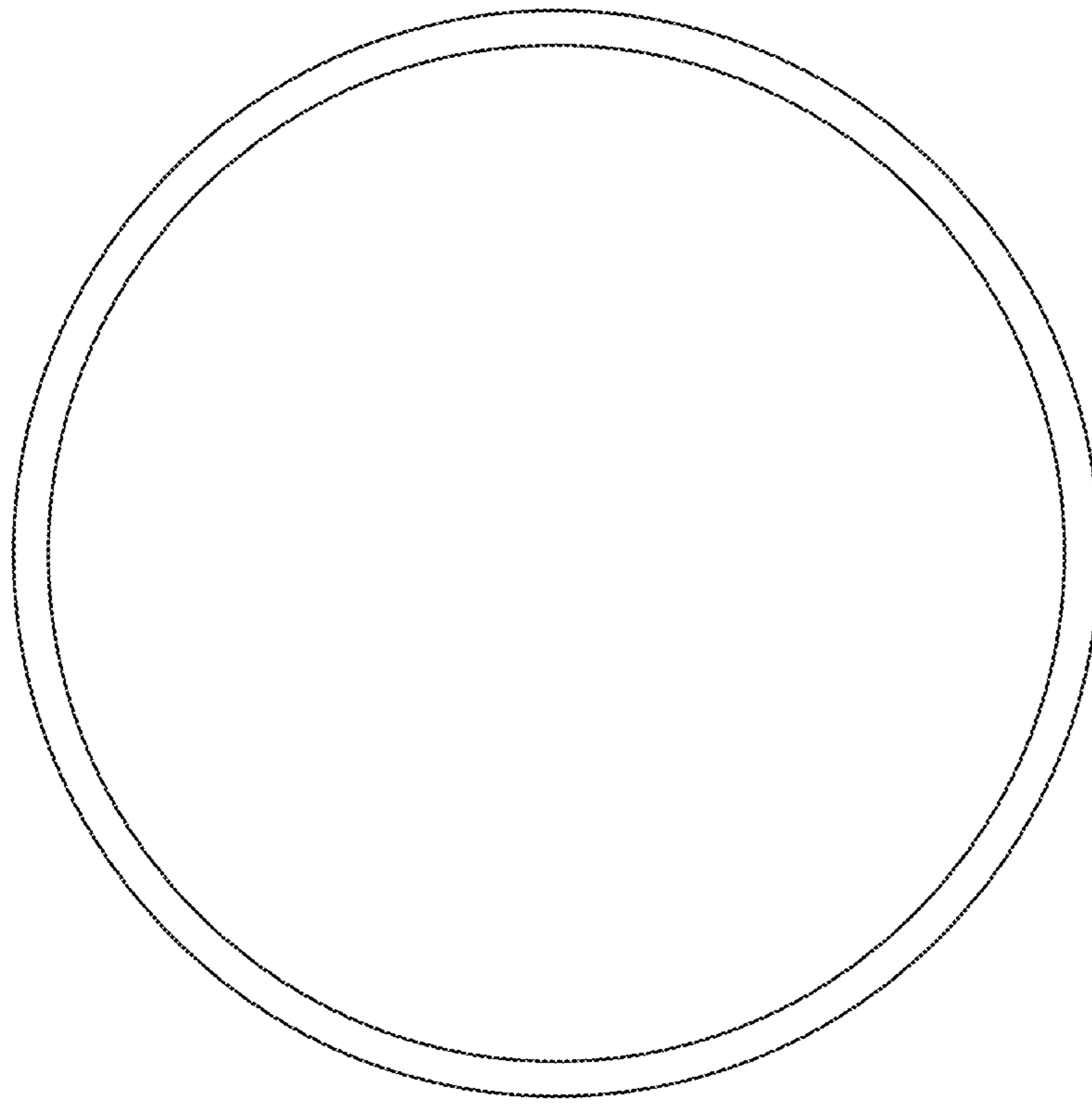


FIG. 2

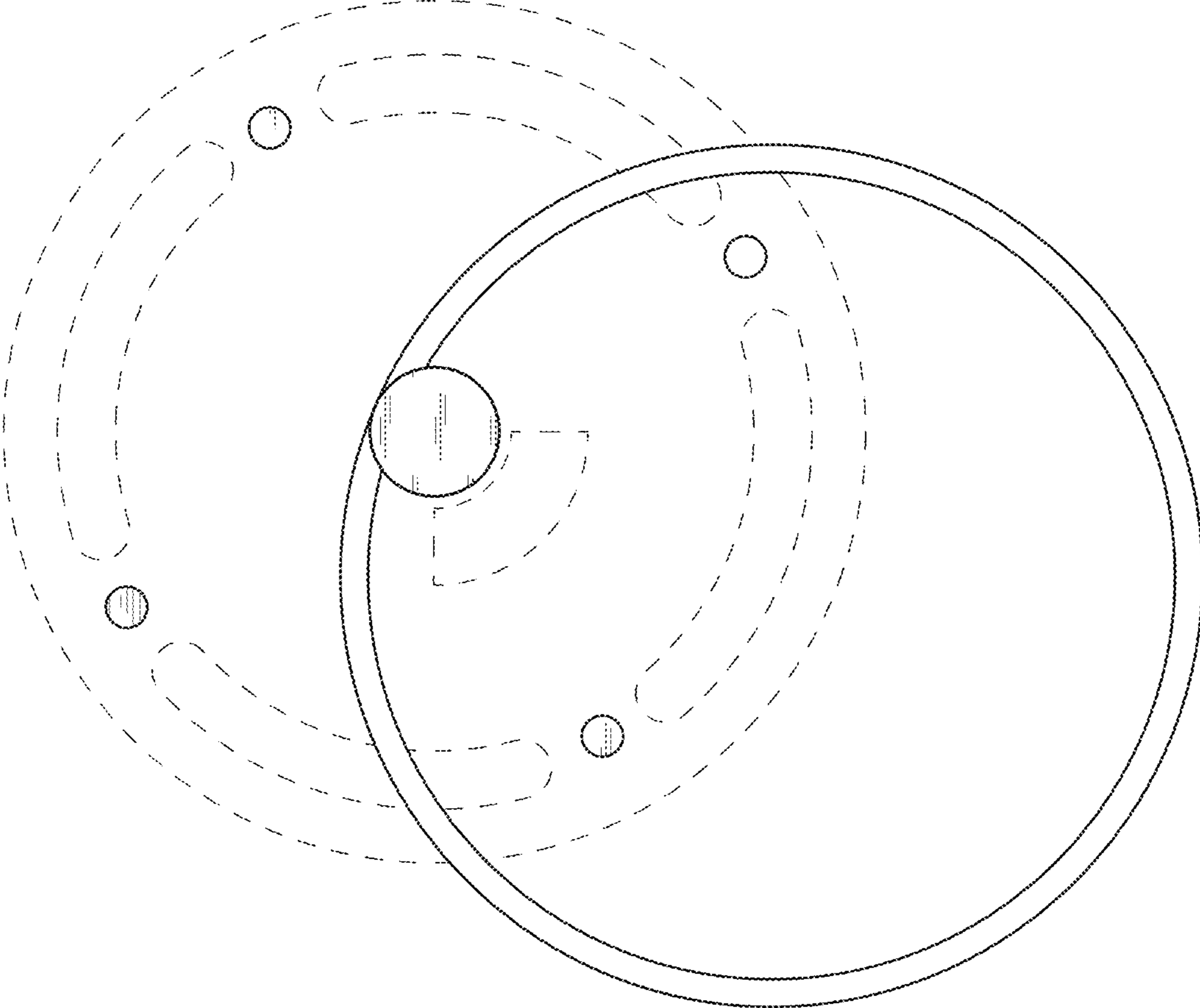


FIG. 3

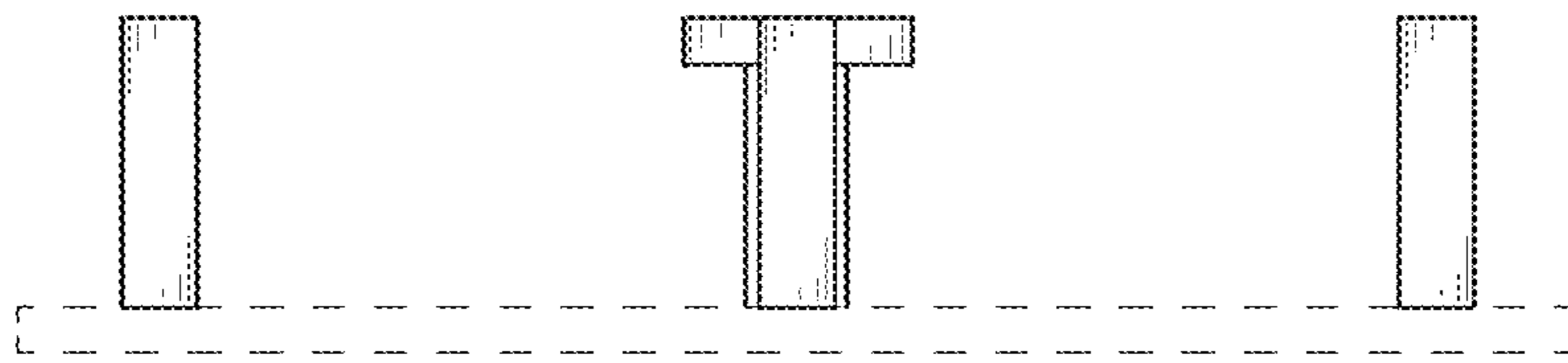


FIG. 4

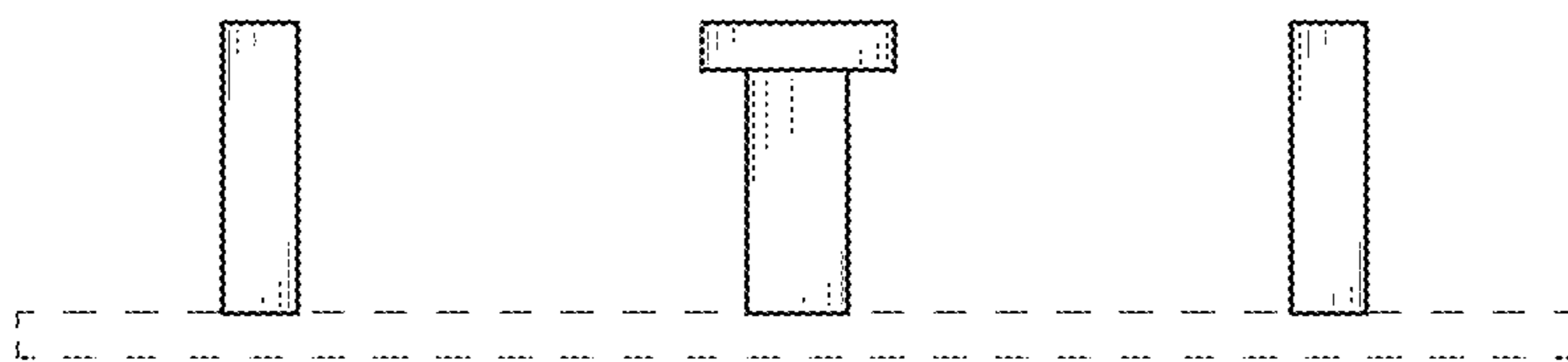


FIG. 5

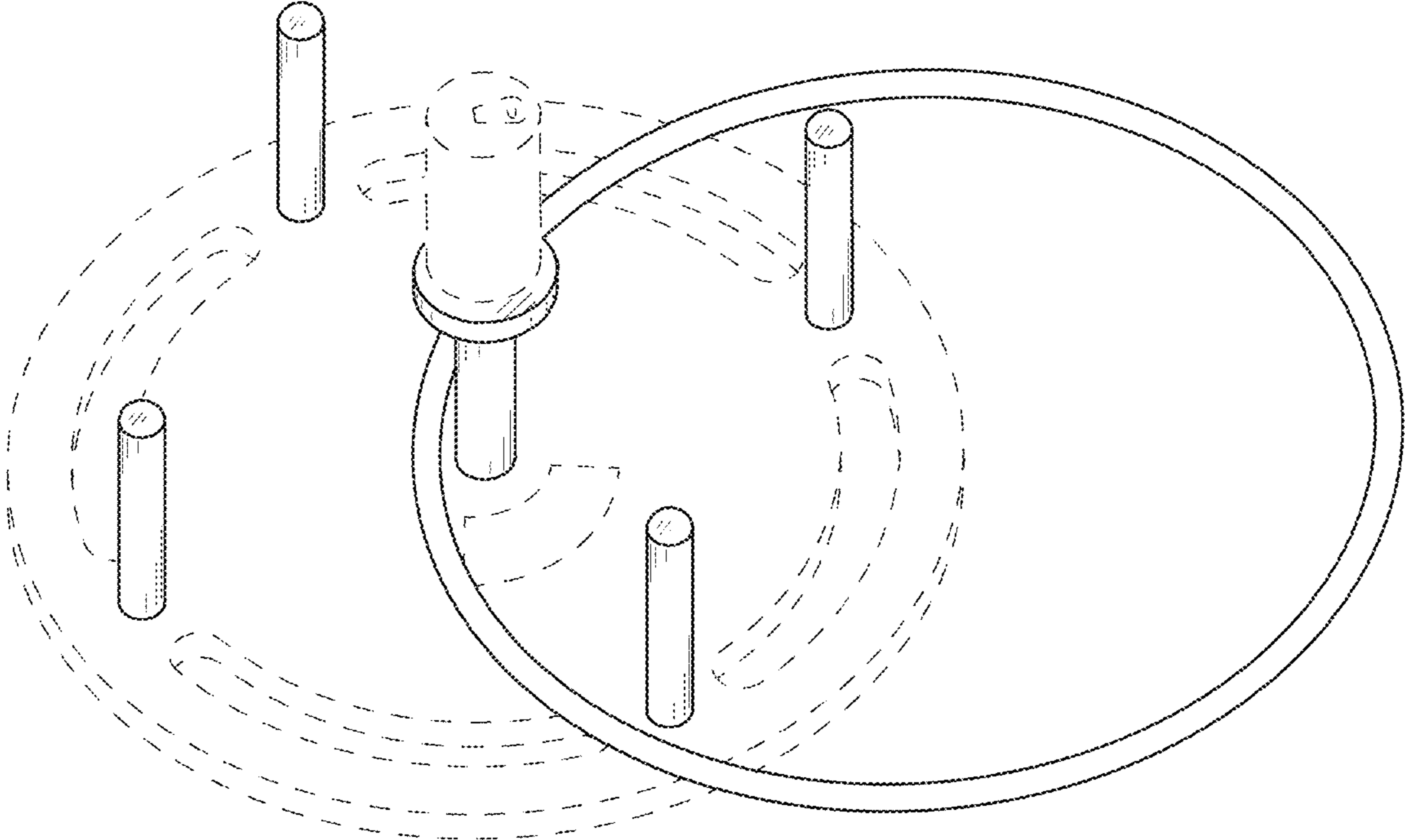


FIG. 6

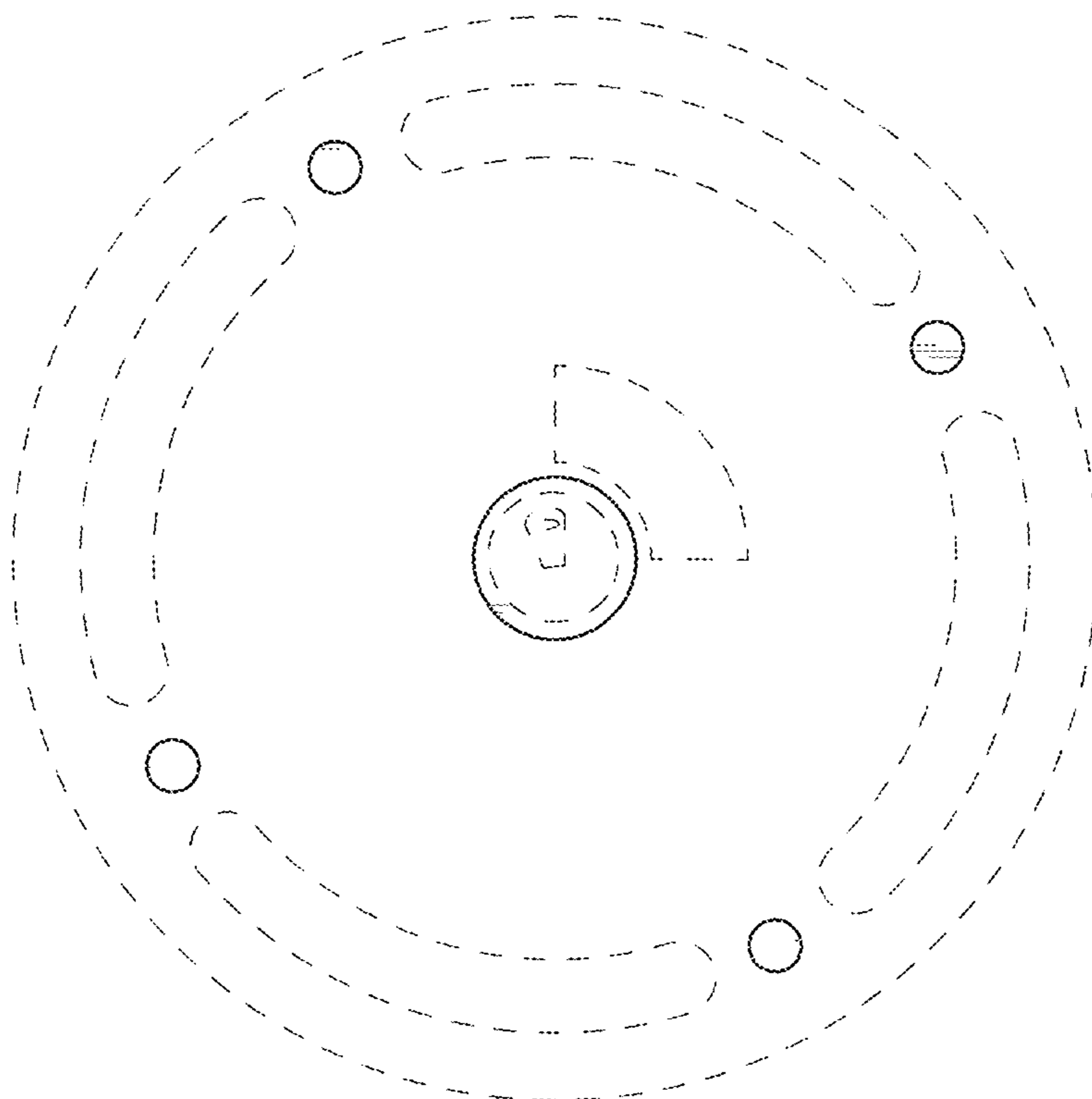
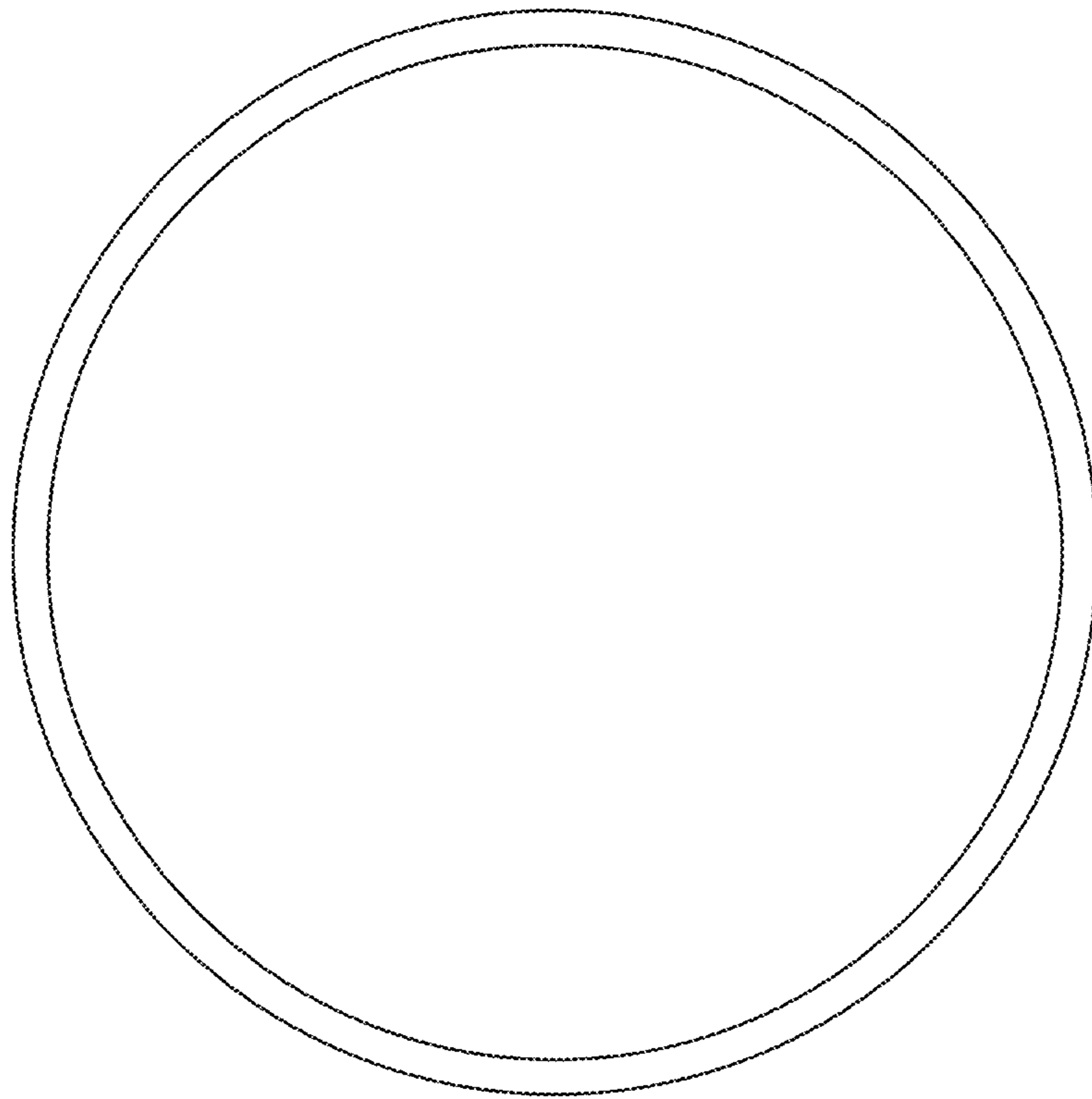


FIG. 7



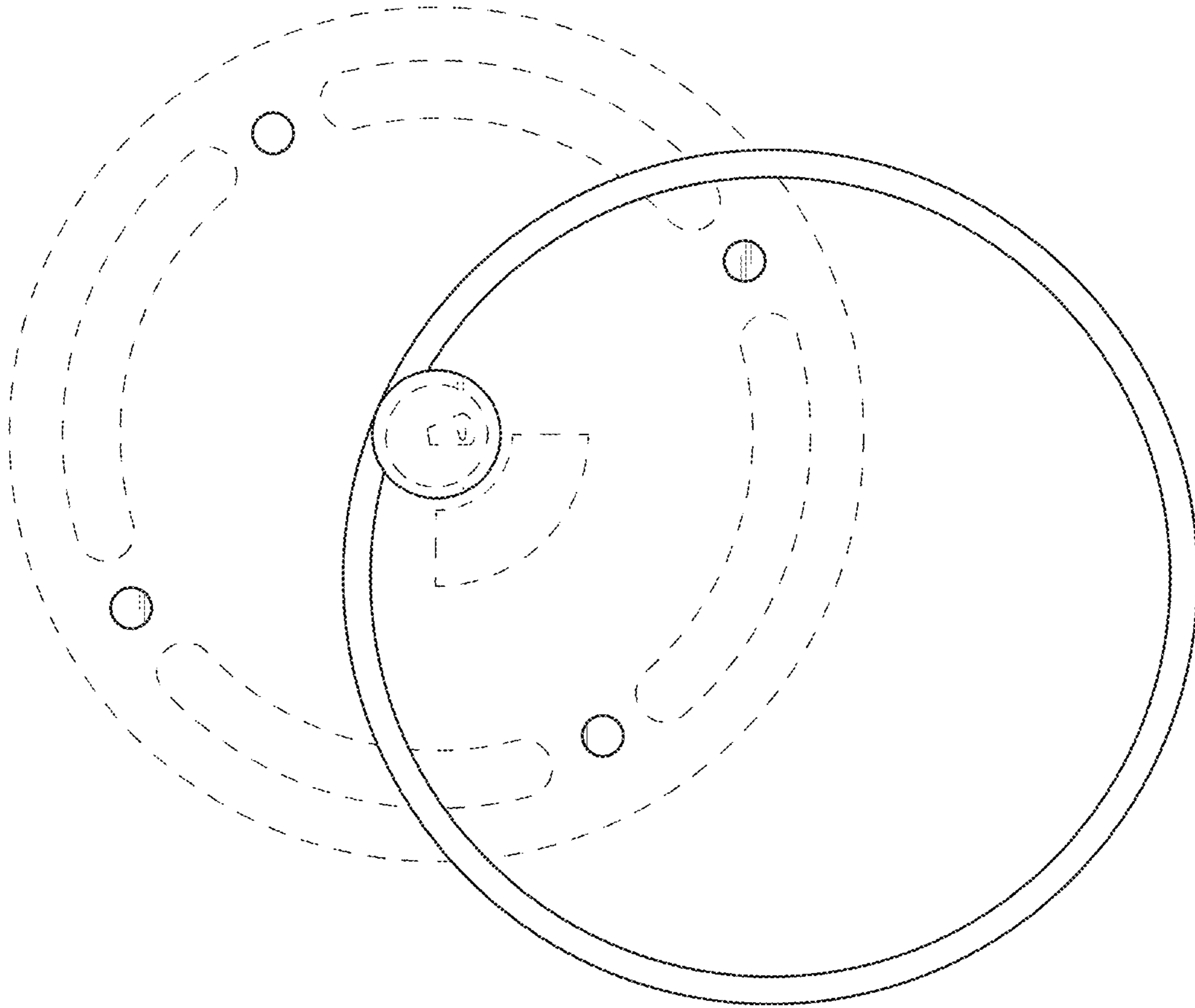


FIG. 8

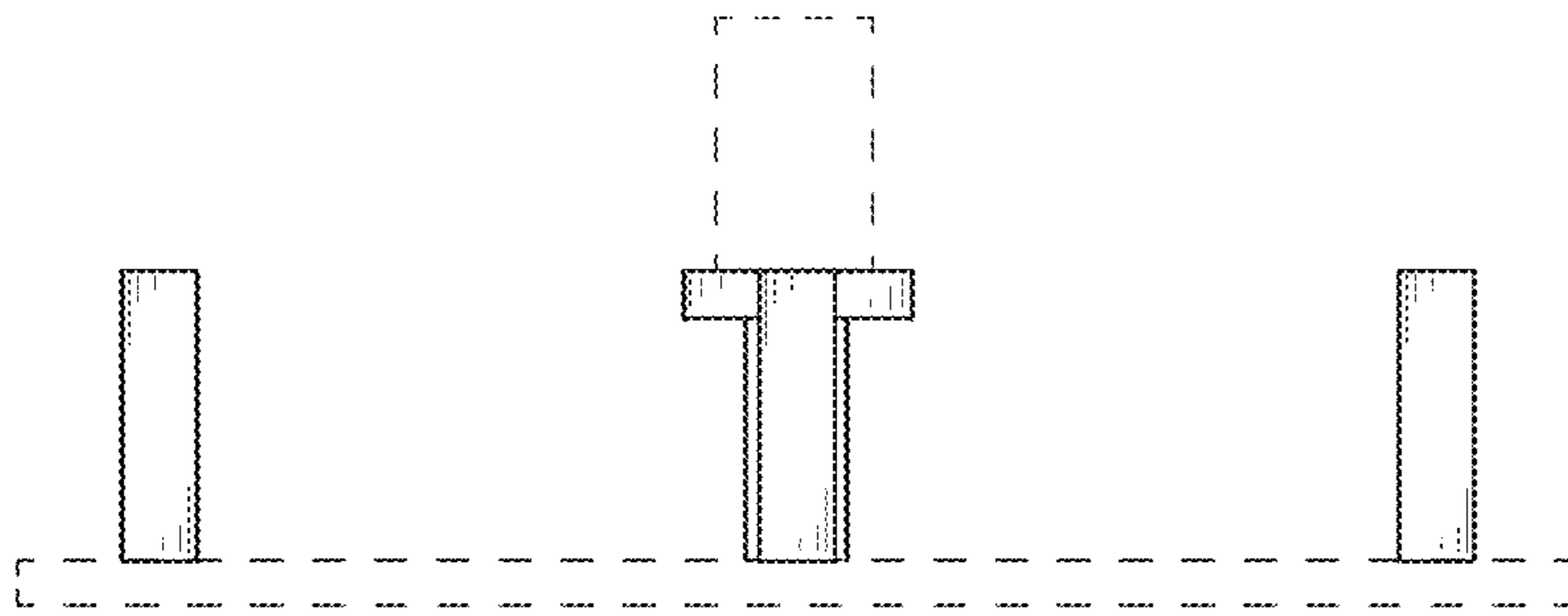


FIG. 9

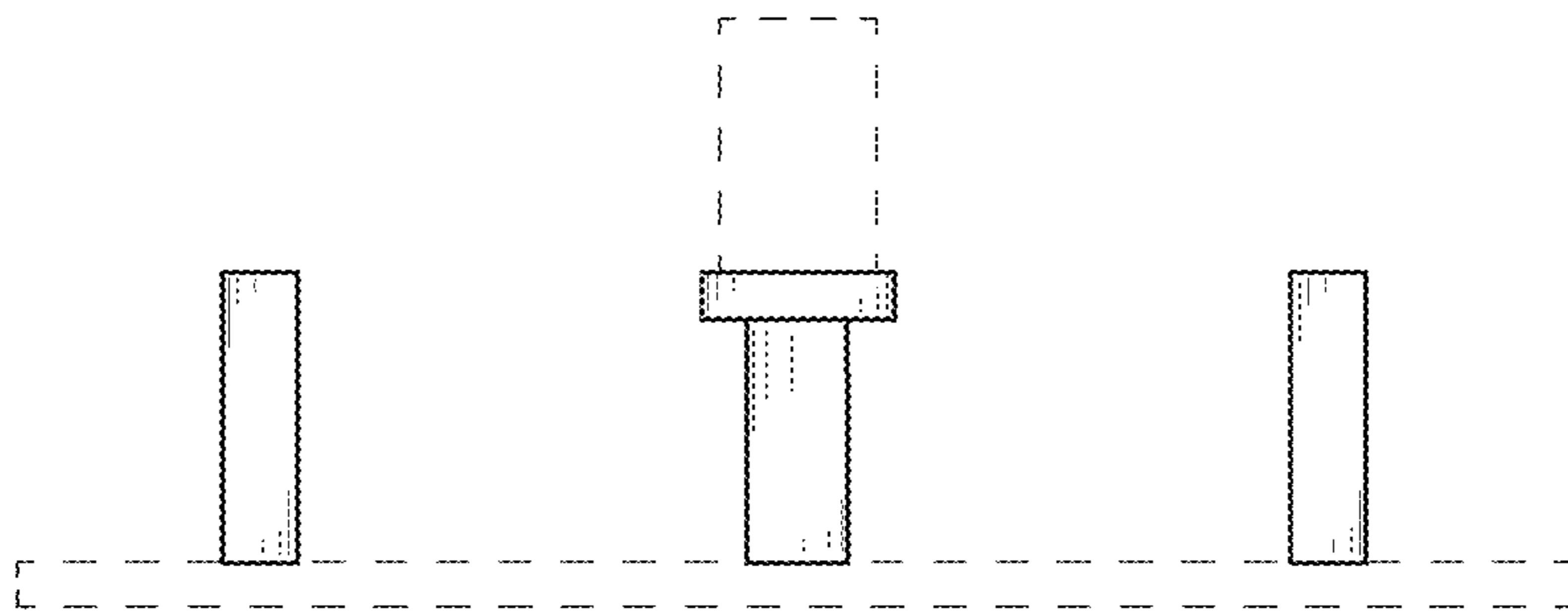


FIG. 10