



US00D982079S

(12) **United States Design Patent** (10) **Patent No.:** **US D982,079 S**
Khaliq (45) **Date of Patent:** **** *Mar. 28, 2023**

(54) **THREE SECTION FOLDABLE CLIPBOARD WITH HOLDER FOR A WRITING IMPLEMENT**

(71) Applicant: **Muhammad Sarfraz Khaliq**, Brea, CA (US)

(72) Inventor: **Muhammad Sarfraz Khaliq**, Brea, CA (US)

(*) Notice: This patent is subject to a terminal disclaimer.

(**) Term: **15 Years**

(21) Appl. No.: **29/850,218**

(22) Filed: **Aug. 17, 2022**

Related U.S. Application Data

(63) Continuation-in-part of application No. 29/848,197, filed on Jul. 30, 2022, and a continuation-in-part of (Continued)

(51) **LOC (14) Cl.** **19-06**

(52) **U.S. Cl.**
USPC **D19/88**

(58) **Field of Classification Search**
USPC ... D19/113, 114, 81, 26-33, 85-92, 99, 135 (Continued)

(56) **References Cited**

U.S. PATENT DOCUMENTS

D248,106 S * 6/1978 Moses D19/26
D267,809 S * 2/1983 Lowery D19/91
(Continued)

FOREIGN PATENT DOCUMENTS

CN 301872753 * 3/2012
CN 114714796 A * 7/2022 B43L 13/02
KR 20190094631 A * 8/2019 B42D 9/005

OTHER PUBLICATIONS

Amazon. Link: <https://www.amazon.com/dp/B09Z69HCBH/>. Apr. 13, 2022. Mint Nursing Clipboard Foldable Aluminum 3 layers with penholder. (Year: 2022).*

(Continued)

Primary Examiner — Lauren D McVey
(74) *Attorney, Agent, or Firm* — Southern Plains IP Law PLLC; Sue C. Watson

(57) **CLAIM**

I claim the ornamental design for a three section foldable clipboard with a holder for a writing implement, as shown and described.

DESCRIPTION

FIG. 1 is a perspective view of a three section foldable clipboard with a holder for a writing implement in an unfolded, expanded position and having a first section, a second section, and a third section;

FIG. 2 is a perspective view of the three section foldable clipboard with a holder for a writing implement with the first section and the third section partially folded toward the second section;

FIG. 3 is a perspective view of the three section foldable clipboard with a holder for a writing implement in a folded position with the third section folded over the second section and the first section folded over the third section;

FIG. 4 is a top plan view of the three section foldable clipboard with a holder for a writing implement in the unfolded position;

FIG. 5 is a bottom plan view of the three section foldable clipboard with a holder for a writing implement in the unfolded, expanded position;

FIG. 6 is a right side view of the three section foldable clipboard with a holder for a writing implement in the unfolded, expanded position;

FIG. 7 is a left side view of the three section foldable clipboard with a holder for a writing implement in the unfolded, expanded position;

(Continued)

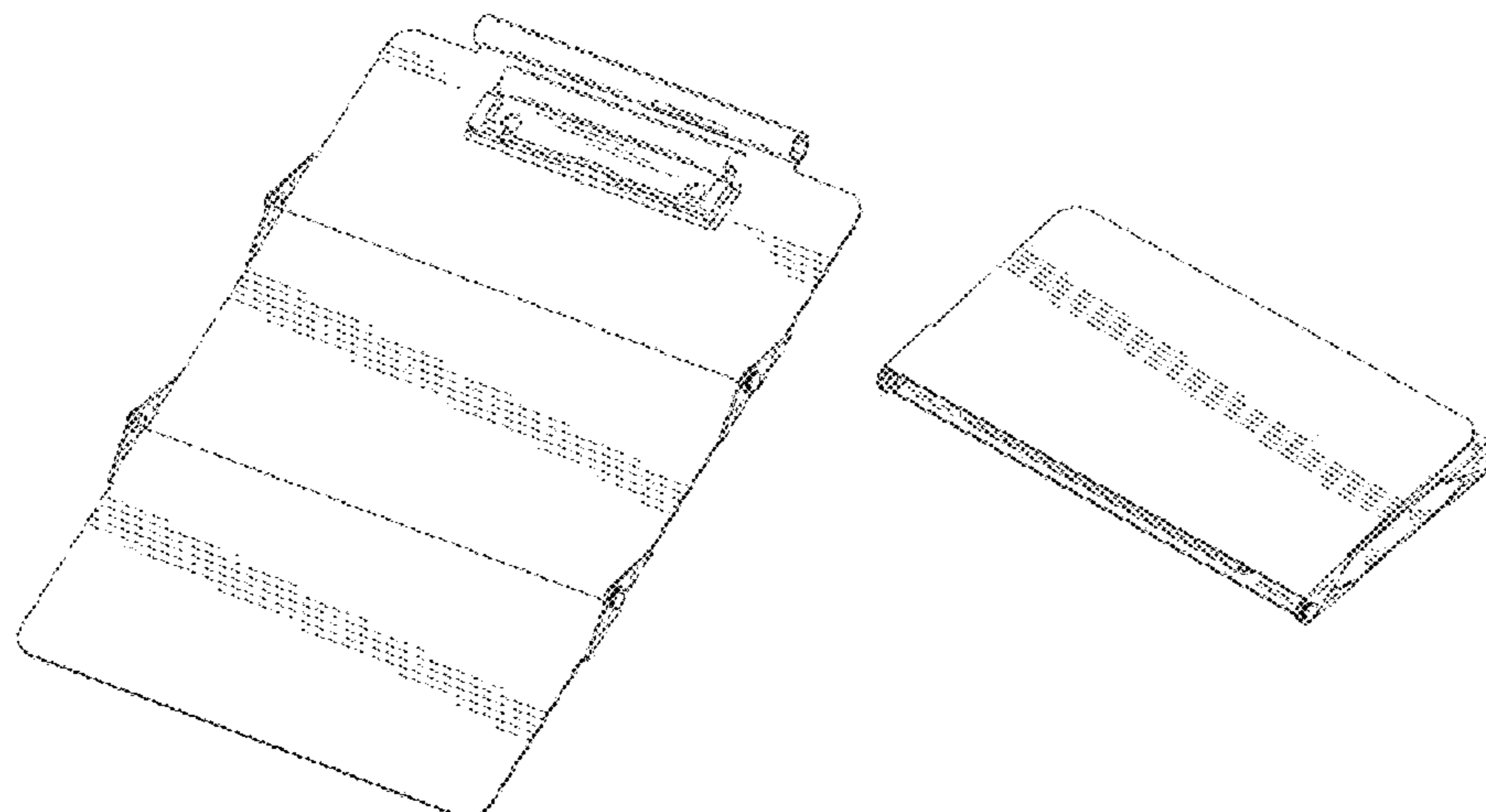


FIG. 8 is a top plan view of a lower end of the three section foldable clipboard with a holder for a writing implement in the unfolded, expanded position; and,
 FIG. 9 is a top plan view of an upper end of the three section foldable clipboard with a holder for a writing implement in the unfolded, expanded position.

1 Claim, 9 Drawing Sheets

Related U.S. Application Data

application No. 29/841,473, filed on Jun. 6, 2022, said application No. 29/848,197 is a continuation of application No. 17/685,357, filed on Mar. 2, 2022, said application No. 29/841,473 is a continuation of application No. 17/555,472, filed on Dec. 19, 2021.

(60) Provisional application No. 63/245,804, filed on Sep. 18, 2021.

(58) **Field of Classification Search**

CPC B43L 1/00; B43L 1/008; B43L 1/08; B43L 1/04; B43L 5/00; B43L 5/02; B43L 5/002; B43L 5/005; B43L 5/007; B42F 9/002; B42F 9/004; B42F 9/005; B42F 9/007; B42F 9/008; G09F 15/00; G09F 15/0006; G09F 15/0012; G09F 1/12; G09F 7/00; B44D 3/18; B44D 3/185

See application file for complete search history.

(56) **References Cited**

U.S. PATENT DOCUMENTS

4,765,462	A *	8/1988	Rose, Jr.	G11B 33/0494	D19/27
4,997,088	A	3/1991	Spry		
5,351,992	A	10/1994	Chilson et al.		
5,590,910	A	1/1997	Meth		
D377,948	S *	2/1997	Pruhs	D19/83	
5,671,951	A	9/1997	Palmiter et al.		

D415,531	S	10/1999	Schultz		
6,213,439	B1	4/2001	Guilie et al.		
6,439,611	B1	8/2002	Chen		
D487,579	S *	3/2004	Chen	D19/88	
6,971,616	B1 *	12/2005	Lake	B42F 9/001	24/67.3
7,225,570	B2	6/2007	Windorski		
D611,542	S	3/2010	Chin et al.		
D611,544	S	3/2010	Liptan		
8,246,080	B1	8/2012	Bennett		
D697,135	S	1/2014	Tsai		
D723,799	S	3/2015	Glass et al.		
9,021,963	B1 *	5/2015	Jacobsen	A45C 9/00	108/44
9,296,553	B1	3/2016	Glass		
9,764,586	B2	9/2017	Pankow et al.		
D859,522	S *	9/2019	Pisapia	D19/88	
11,485,164	B1 *	11/2022	Khaliq	B42F 9/001	
2003/0034263	A1	2/2003	D'Hoste		
2003/0106979	A1 *	6/2003	Richardson	A47B 97/08	248/460
2003/0234599	A1 *	12/2003	Dunn	B42F 9/001	312/100
2006/0175520	A1	8/2006	Cooper		
2007/0172309	A1	7/2007	Witter et al.		
2007/0187565	A1	8/2007	Lipton		
2010/0084848	A1	4/2010	Nguyen		
2012/0073998	A1	3/2012	He		
2015/0096157	A1	4/2015	Paulick et al.		
2017/0231347	A1	8/2017	Ghanma		
2021/0235830	A1	8/2021	Fitzsimmons		

OTHER PUBLICATIONS

Amazon. Link: <https://www.amazon.com/Nursing-Clipboard-Medical-Notepad-Students/dp/B09QKTYWMH/>. Jan. 17, 2022. B09QKTYWMH Nursing Clipboard with Medical Edition Cheat. (Year: 2022).*

Amazon. Link: <https://www.amazon.com/dp/B0B1QDQRBC/>. May 19, 2022. Micacia Nursing Clipboard. (Year: 2022).*

Amazon.com, White Coat Clipboard, First available on Amazon Nov. 25, 2013.

A Folding Clipboard, GB Registered Design No. 6018387, Registered Dec. 7, 2017.

* cited by examiner

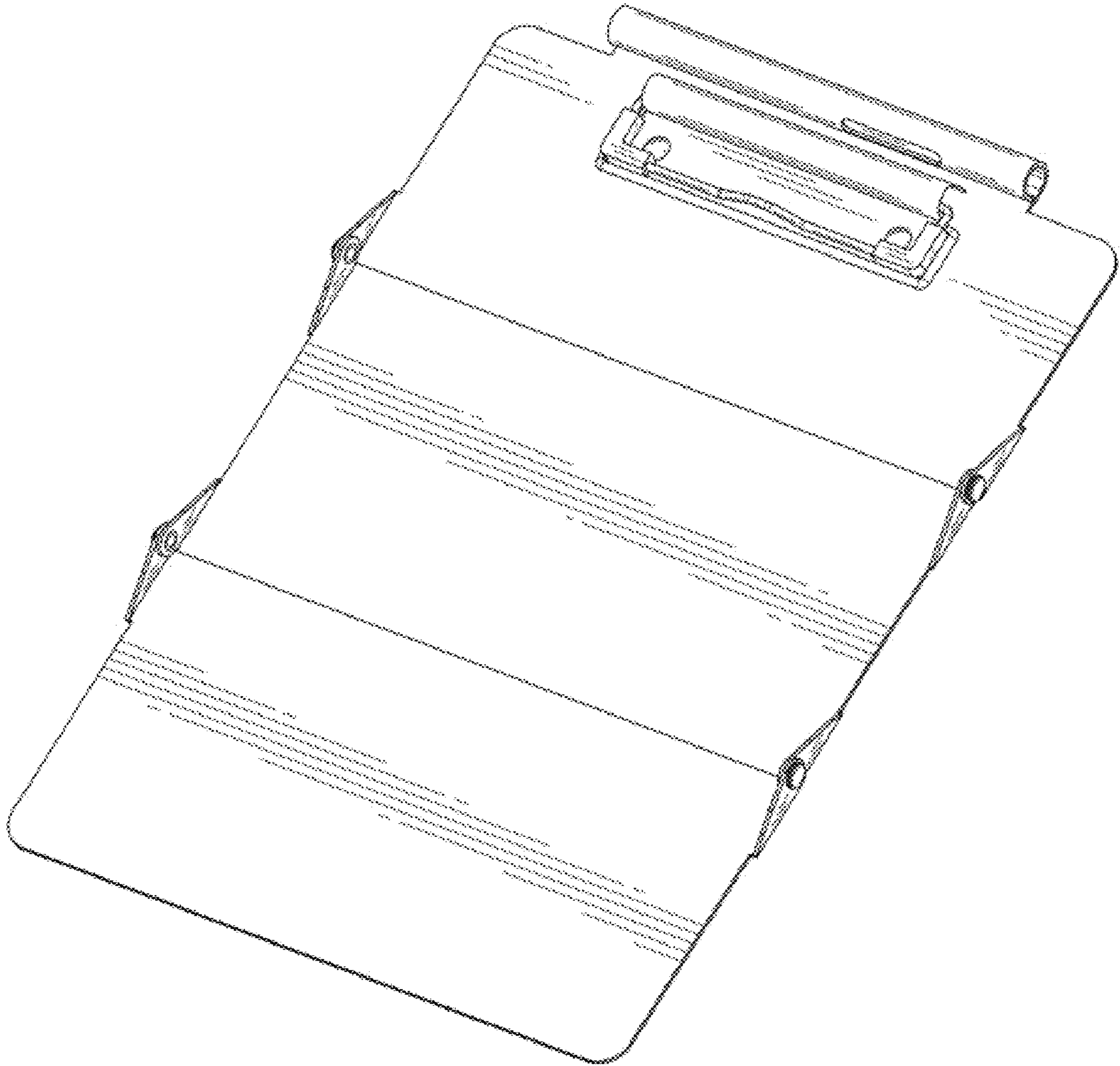


FIG. 1

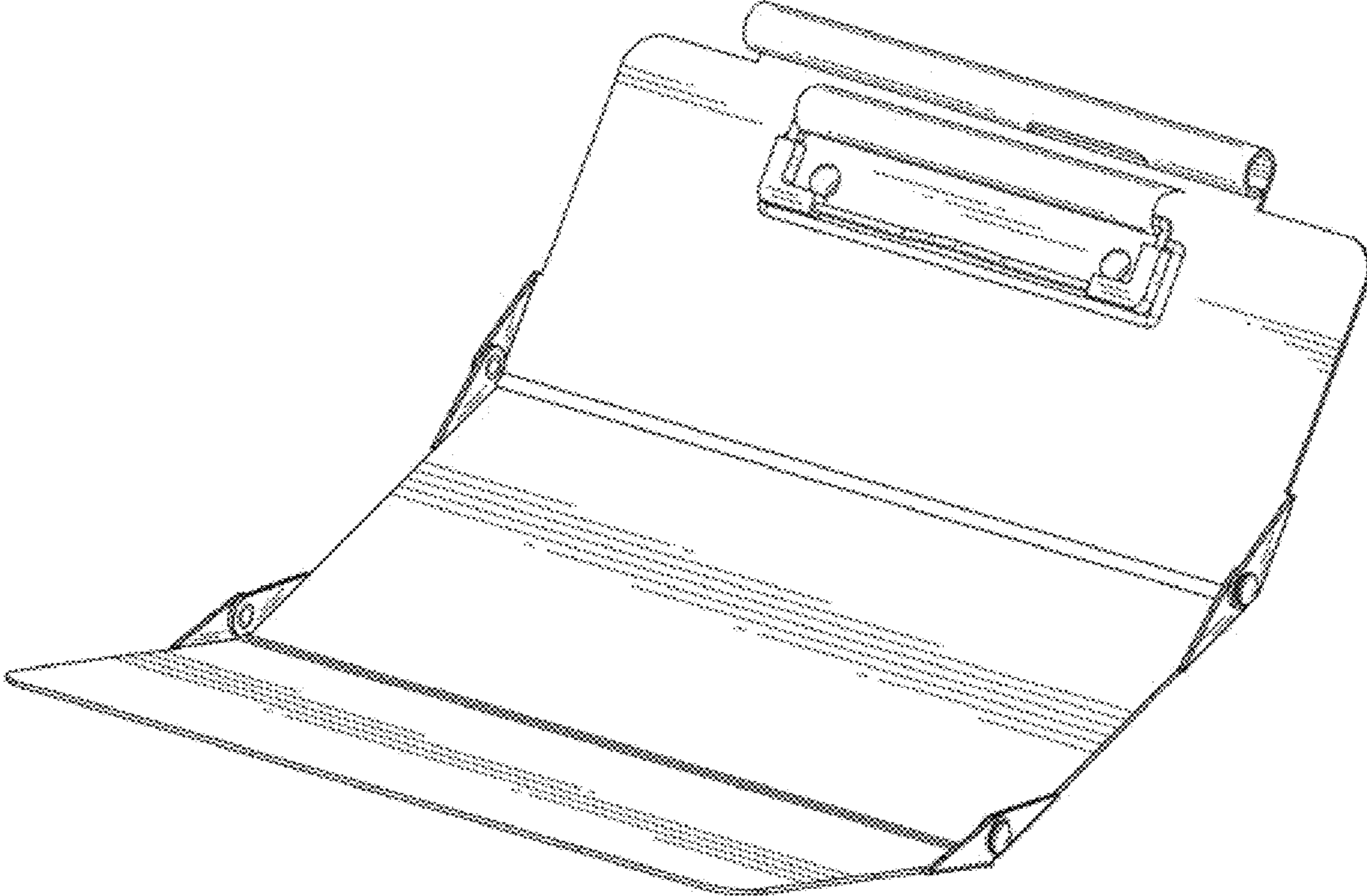


FIG. 2

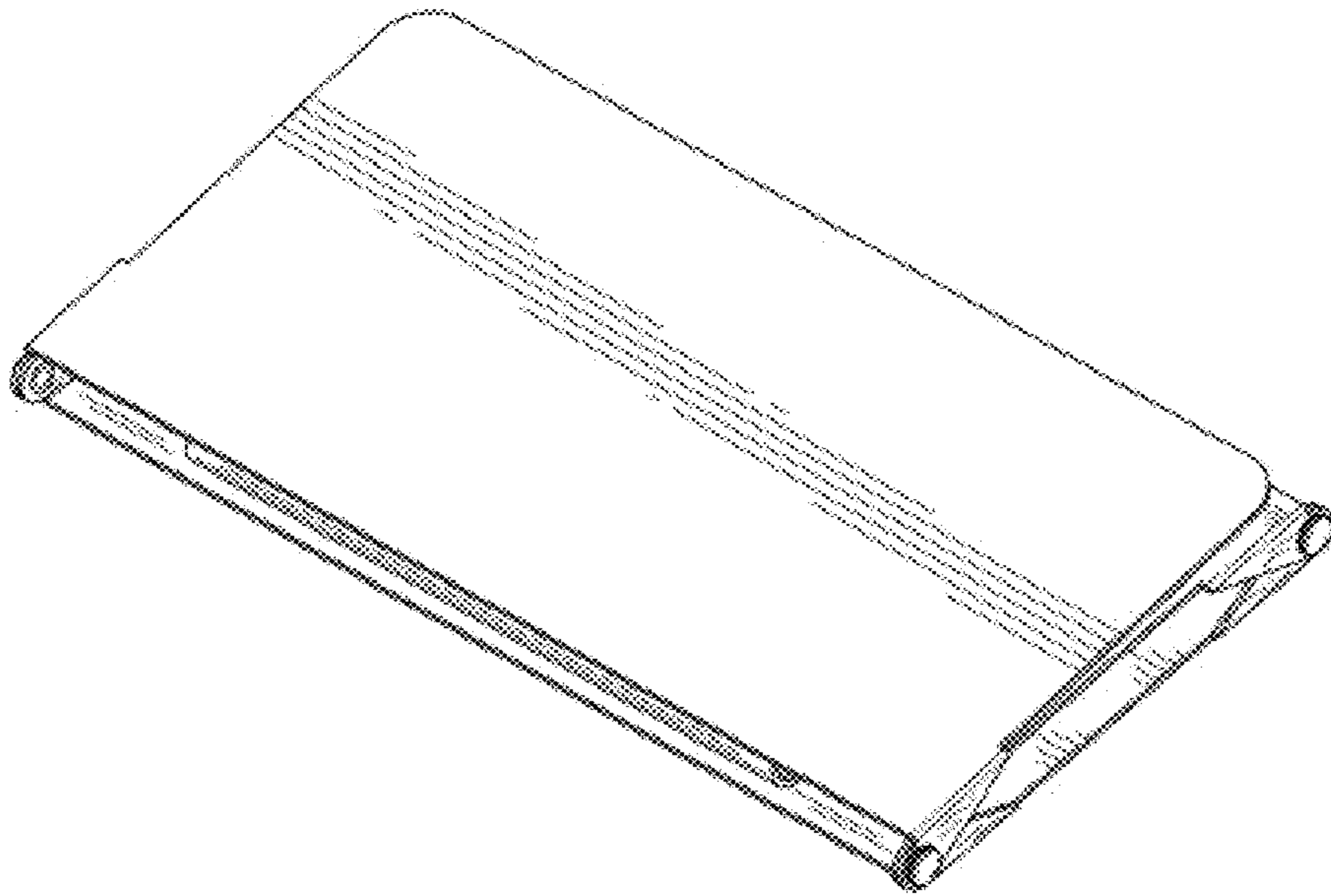


FIG. 3

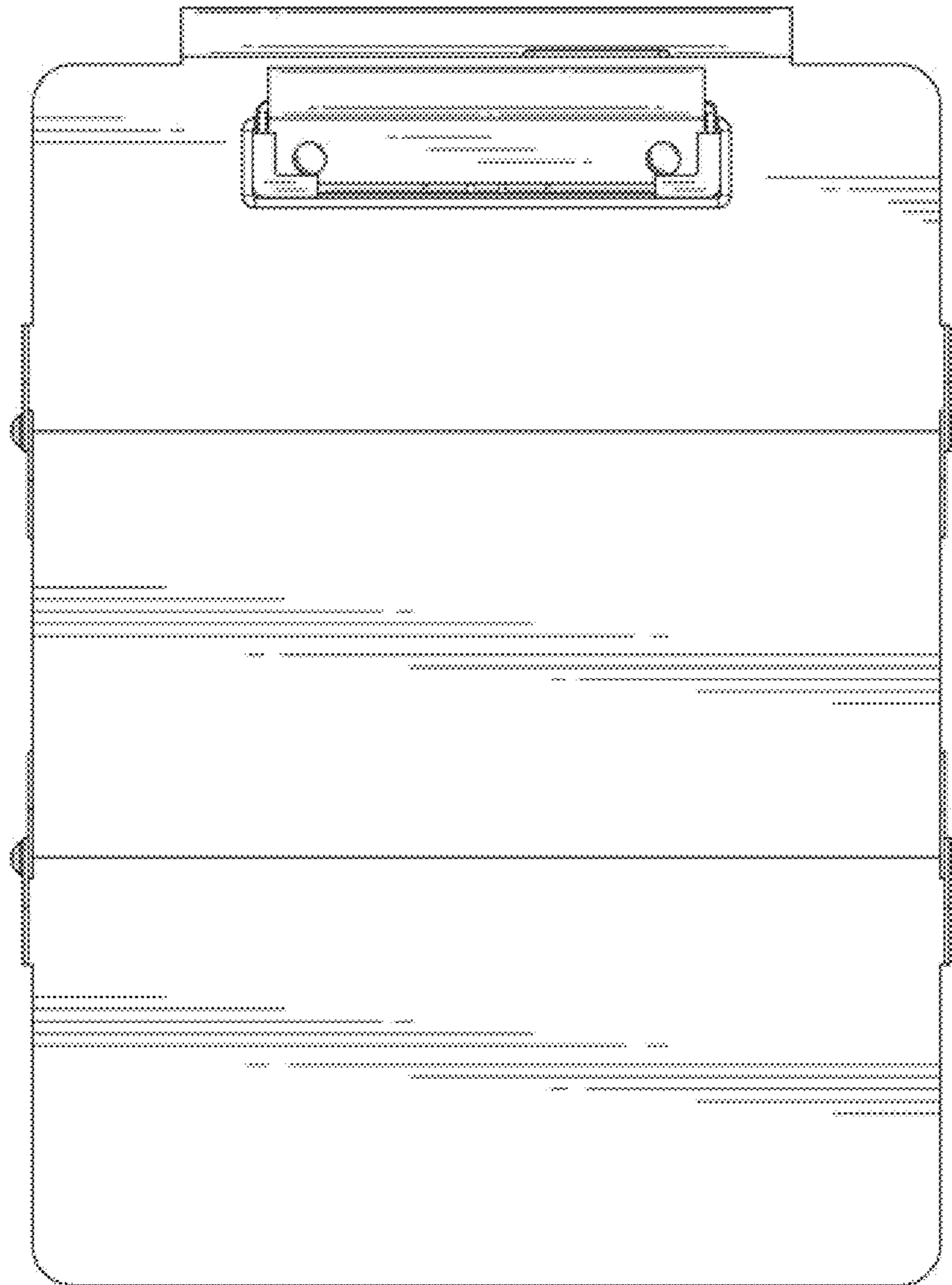


FIG. 4

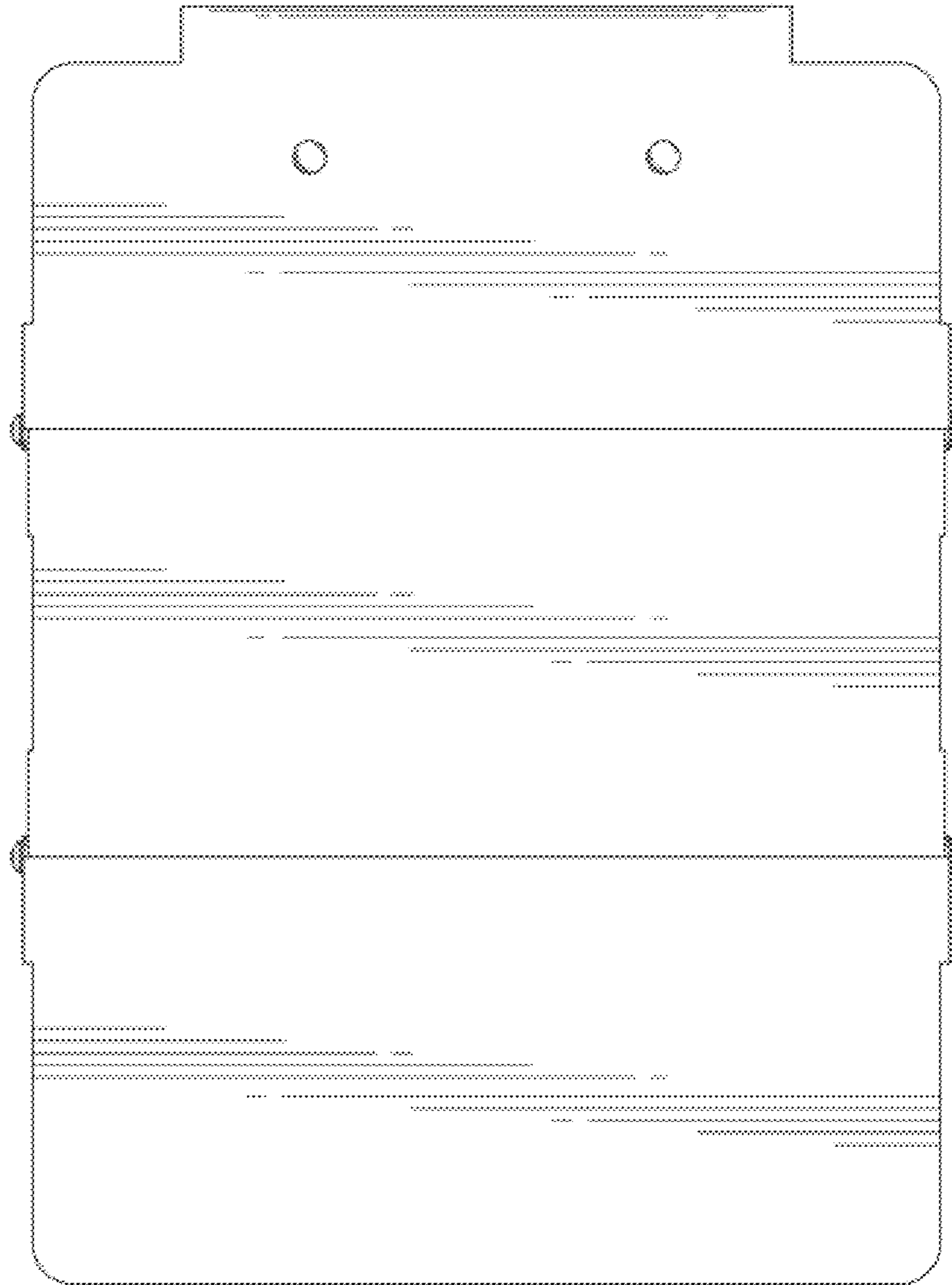


FIG. 5

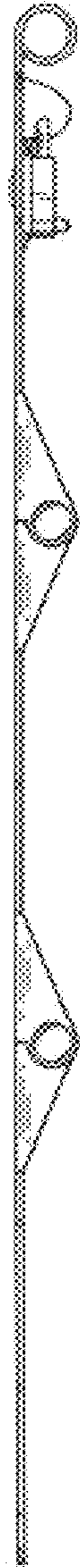


FIG. 6



FIG. 7



FIG. 8

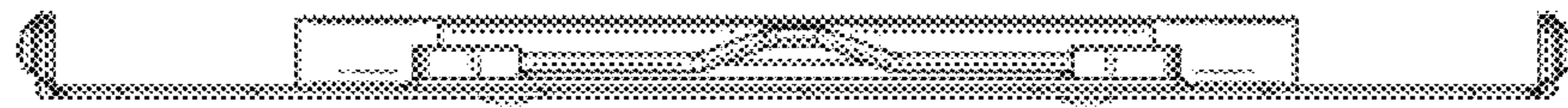


FIG. 9