



US00D982078S

(12) **United States Design Patent**
Khaliq

(10) **Patent No.:** **US D982,078 S**

(45) **Date of Patent:** **** *Mar. 28, 2023**

(54) **FOLDABLE CLIPBOARD WITH HOLDER FOR A WRITING IMPLEMENT**

Primary Examiner — Lauren D McVey

(74) *Attorney, Agent, or Firm* — Southern Plains IP Law PLLC; Sue C. Watson

(71) Applicant: **Muhammad Sarfraz Khaliq**, Brea, CA (US)

(72) Inventor: **Muhammad Sarfraz Khaliq**, Brea, CA (US)

(57) **CLAIM**

(*) Notice: This patent is subject to a terminal disclaimer.

I claim the ornamental design for a foldable clipboard with a holder for a writing implement, as shown and described.

(**) Term: **15 Years**

(21) Appl. No.: **29/848,197**

(22) Filed: **Jul. 30, 2022**

DESCRIPTION

Related U.S. Application Data

(63) Continuation of application No. 17/685,357, filed on Mar. 2, 2022.

(51) **LOC (14) Cl.** **19-06**

(52) **U.S. Cl.**
USPC **D19/88**

(58) **Field of Classification Search**
USPC ... D19/113, 114, 81, 26–33, 85–92, 99, 135
(Continued)

FIG. 1 is a perspective view of a foldable clipboard with a holder for a writing implement in an unfolded, expanded position and having a first section and a second section;

FIG. 2 is a perspective view of the foldable clipboard with a holder for a writing implement with the first section folded toward the second section;

FIG. 3 is a perspective view of the foldable clipboard with a holder for a writing implement in a folded position with the second section folded over the first section;

FIG. 4 is a top plan view of the foldable clipboard with a holder for a writing implement in the unfolded position, as shown in FIG. 1;

FIG. 5 is a bottom plan view of the foldable clipboard with a holder for a writing implement in the unfolded, expanded position;

FIG. 6 is a right side view of the foldable clipboard with a holder for a writing implement in the unfolded, expanded position;

FIG. 7 is a left side view of the foldable clipboard with a holder for a writing implement in the unfolded, expanded position;

FIG. 8 is a top plan view of a lower end of the foldable clipboard with a holder for a writing implement in the unfolded, expanded position; and,

FIG. 9 is a top plan view of an upper end of the foldable clipboard with a holder for a writing implement in the unfolded, expanded position.

(56) **References Cited**

U.S. PATENT DOCUMENTS

D248,106 S * 6/1978 Moses D19/26
D267,809 S * 2/1983 Lowery D19/91
(Continued)

FOREIGN PATENT DOCUMENTS

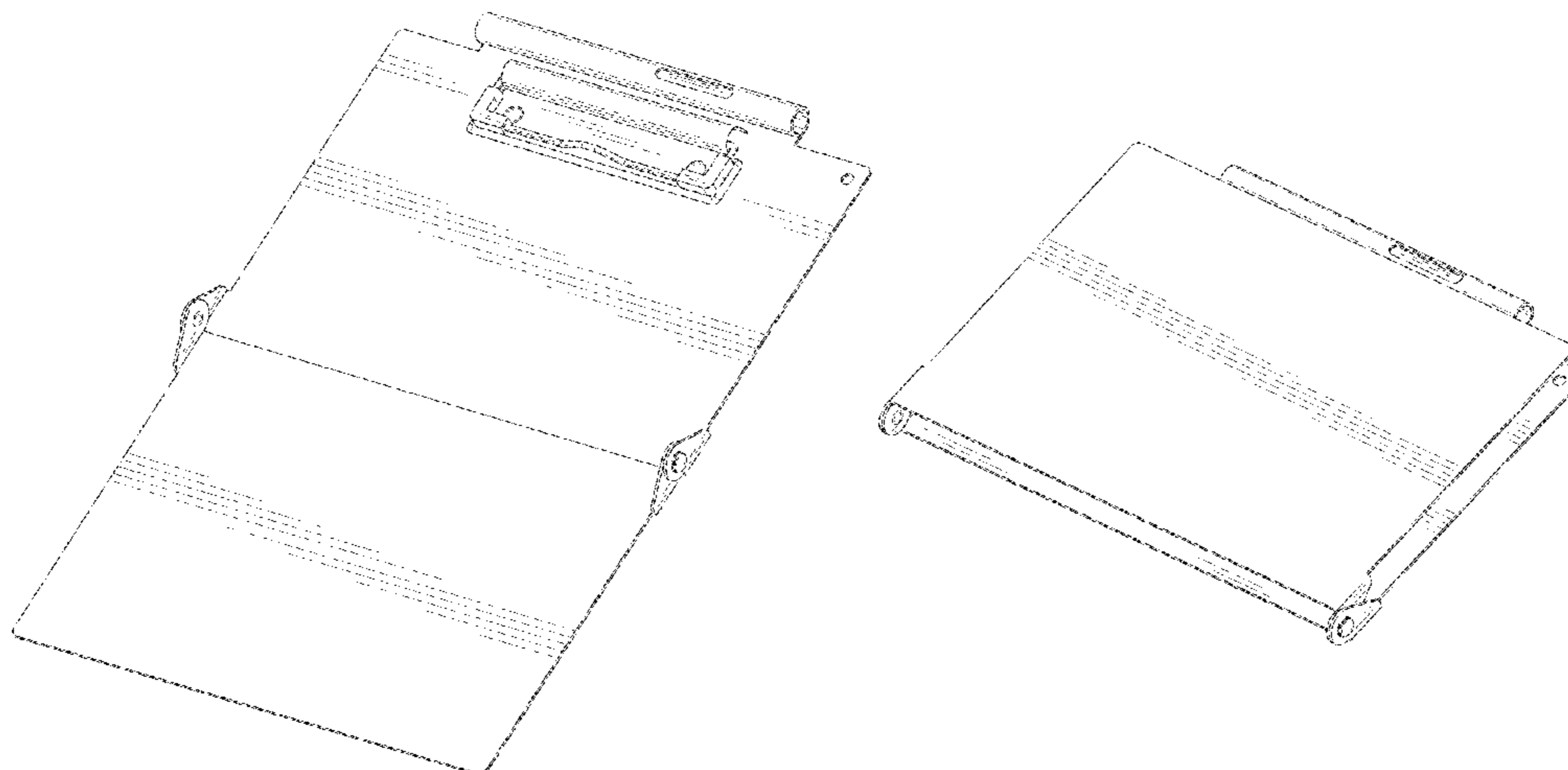
CN 301872753 * 3/2012
CN 114714796 A * 7/2022 B43L 13/02
KR 20190094631 A * 8/2019 B42D 9/005

OTHER PUBLICATIONS

Amazon. Link: <https://www.amazon.com/dp/B09Z69HCBH/>. Apr. 13, 2022. Mint Nursing Clipboard Foldable Aluminum 3 layers with penholder. (Year: 2022).*

(Continued)

1 Claim, 9 Drawing Sheets



(58) **Field of Classification Search**
 CPC B43L 1/00; B43L 1/008; B43L 1/08; B43L
 1/04; B43L 5/00; B43L 5/02; B43L
 5/002; B43L 5/005; B43L 5/007; B42F
 9/002; B42F 9/004; B42F 9/005; B42F
 9/007; B42F 9/008; B42F 9/001; G09F
 15/00; G09F 15/0006; G09F 15/0012;
 G09F 1/12; G09F 7/00; B44D 3/18;
 B44D 3/185

See application file for complete search history.

(56) **References Cited**

U.S. PATENT DOCUMENTS

4,765,462 A * 8/1988 Rose, Jr. G11B 33/0494
 D19/27
 4,997,088 A 3/1991 Spry
 5,351,992 A 10/1994 Chilson et al.
 5,590,910 A 1/1997 Meth
 D377,948 S * 2/1997 Pruhs D19/83
 5,671,951 A 9/1997 Palmiter et al.
 D415,531 S 10/1999 Schultz
 6,213,439 B1 4/2001 Giulie et al.
 6,439,611 B1 8/2002 Chen
 D487,579 S * 3/2004 Chen D19/88
 6,971,616 B1 * 12/2005 Lake B42F 9/001
 24/67.3
 7,225,570 B2 6/2007 Windorski
 D611,542 S 3/2010 Chin et al.
 D611,544 S 3/2010 Liptan
 8,246,080 B1 8/2012 Bennett
 D697,135 S 1/2014 Tsai
 D723,799 S 3/2015 Glass et al.

9,021,963 B1 * 5/2015 Jacobsen A45C 9/00
 108/44
 9,296,553 B1 3/2016 Glass
 9,764,586 B2 9/2017 Pankow et al.
 D859,522 S * 9/2019 Pisapia D19/88
 11,485,164 B1 * 11/2022 Khaliq B42F 9/001
 2003/0034263 A1 2/2003 D'Hoste
 2003/0106979 A1 * 6/2003 Richardson A47B 97/08
 248/460
 2003/0234599 A1 * 12/2003 Dunn B42F 9/001
 312/100
 2006/0175520 A1 8/2006 Cooper
 2007/0172309 A1 7/2007 Witter et al.
 2007/0187565 A1 8/2007 Lipton
 2010/0084848 A1 4/2010 Nguyen
 2012/0073998 A1 3/2012 He
 2015/0096157 A1 4/2015 Paulick et al.
 2017/0231347 A1 8/2017 Ghanma
 2021/0235830 A1 8/2021 Fitzsimmons

OTHER PUBLICATIONS

Amazon. Link: <https://www.amazon.com/Nursing-Clipboard-Medical-Notepad-Students/dp/B09QKTYWMH/>. Jan. 17, 2022. B09QKTYWMH Nursing Clipboard with Medical Edition Cheat. (Year: 2022).
 Amazon. Link: <https://www.amazon.com/dp/B0B1QDQRBC/>. May 19, 2022. Micacia Nursing Clipboard. (Year: 2022).
 Amazon.com, White Coat Clipboard, First available on Amazon Nov. 25, 2013.
 A Folding Clipboard, GB Registered Design No. 6018387, Registered Dec. 7, 2017.

* cited by examiner

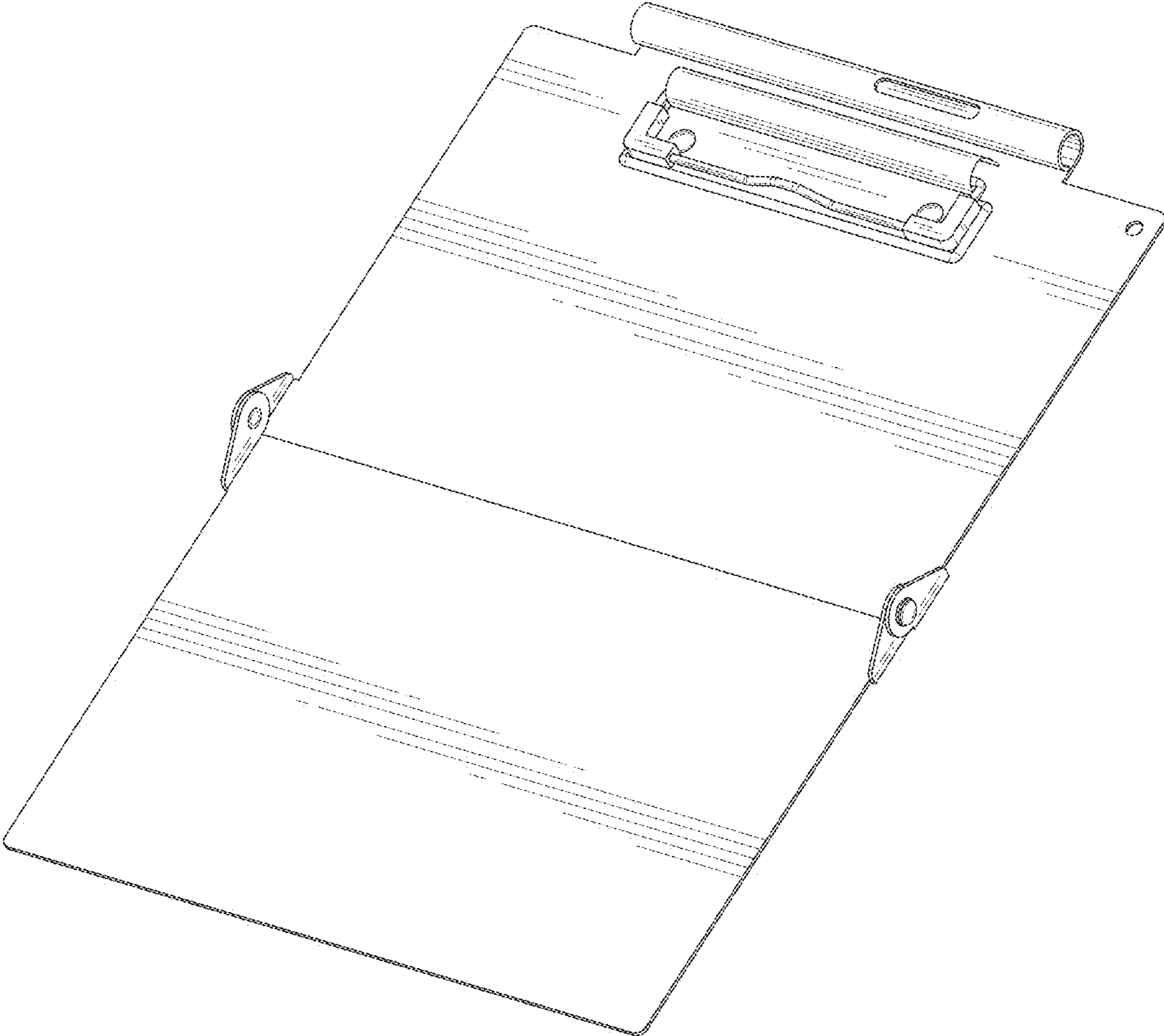


FIG. 1

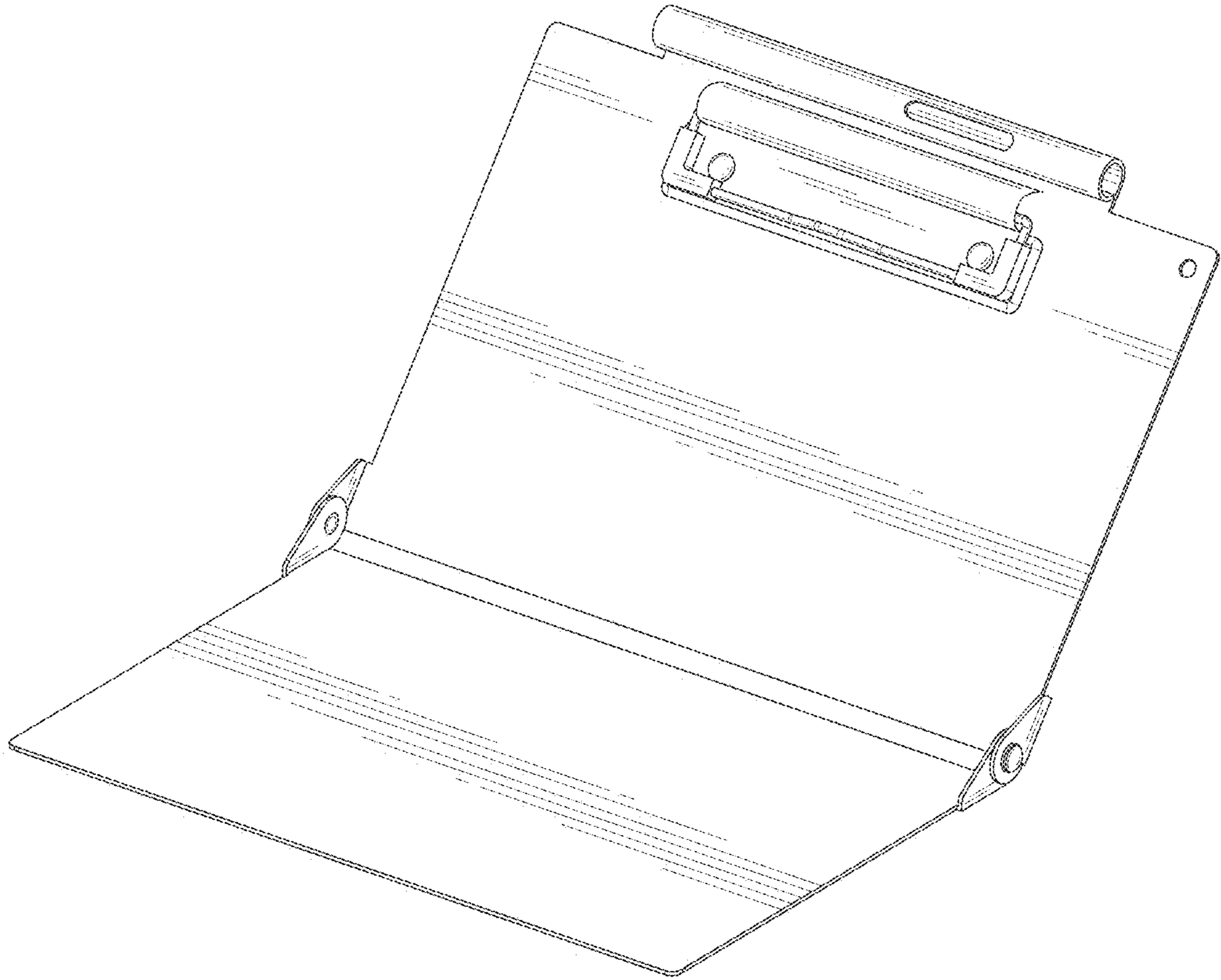


FIG. 2

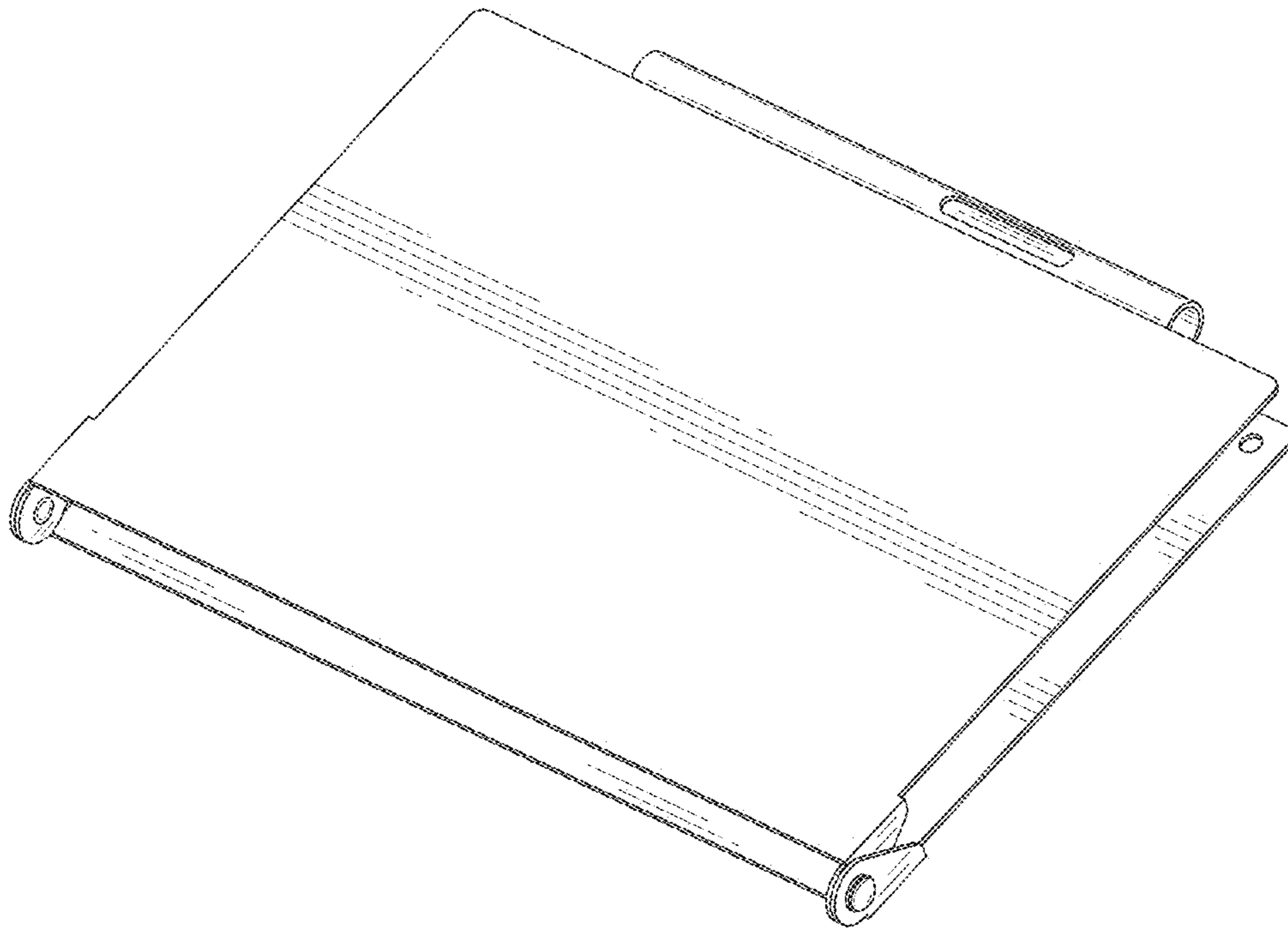


FIG. 3

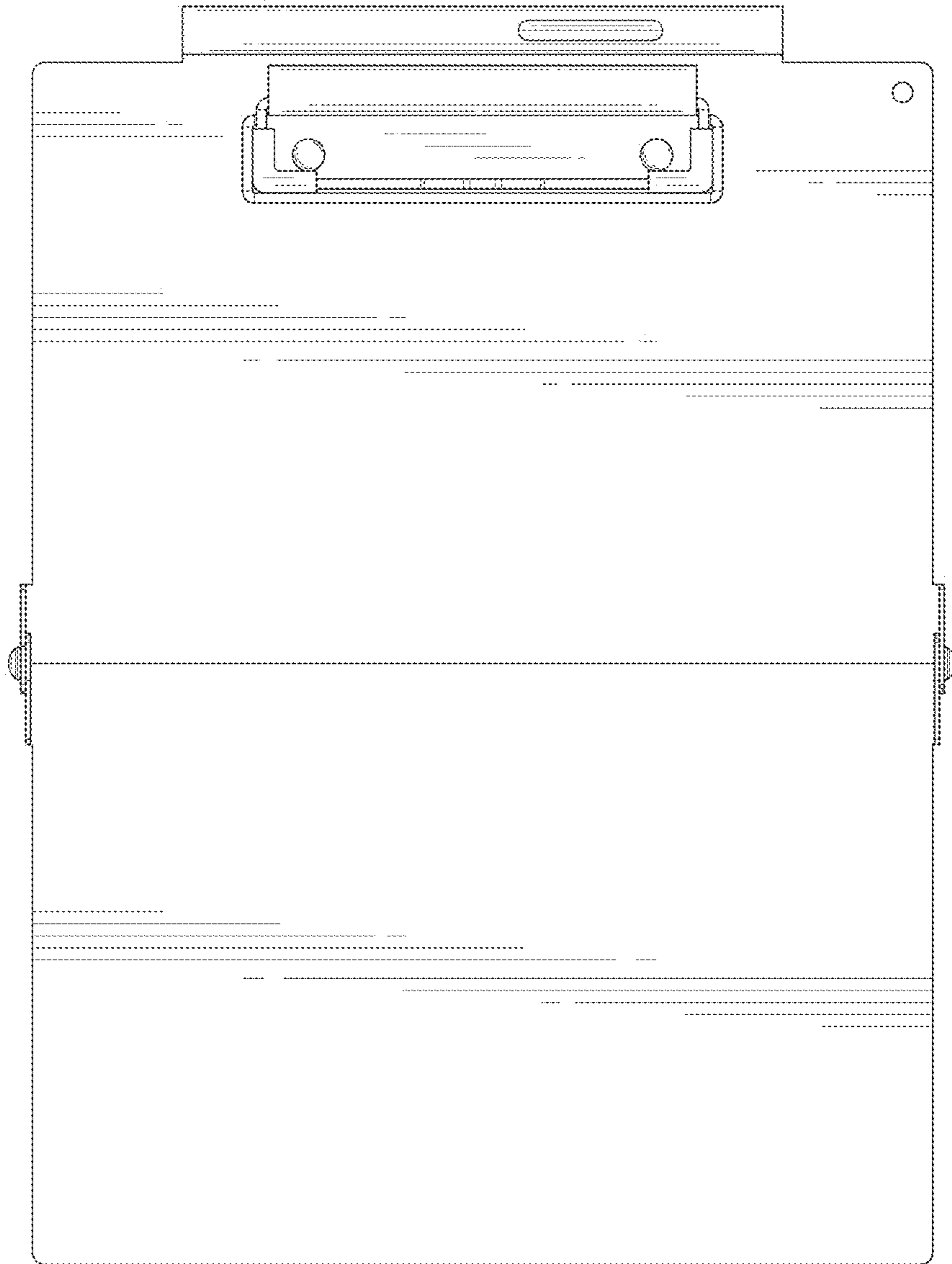


FIG. 4

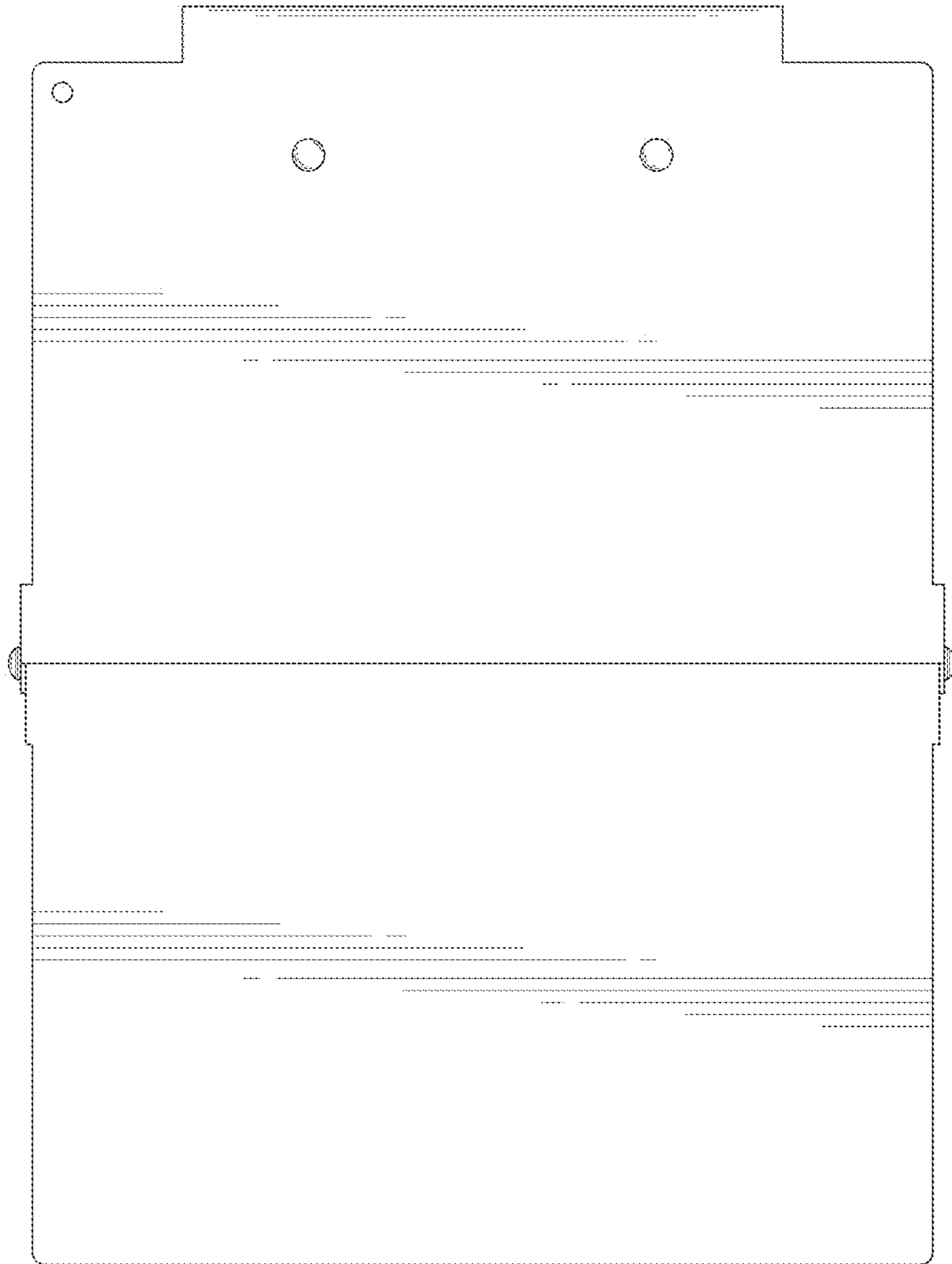


FIG. 5

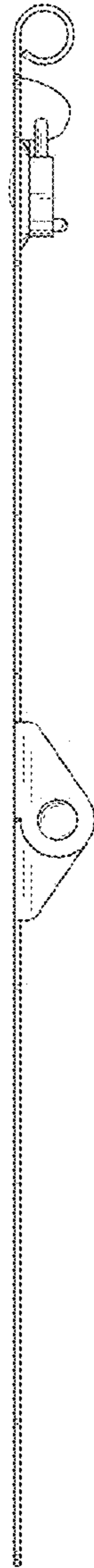


FIG. 6



FIG. 7

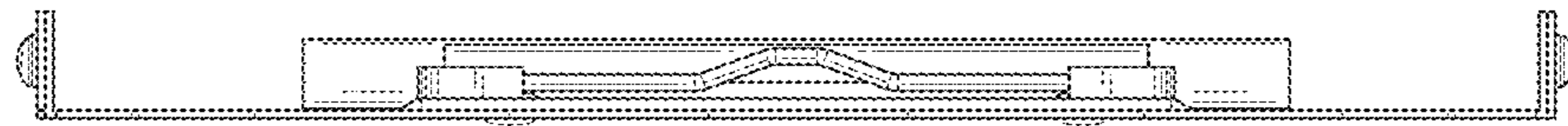


FIG. 8

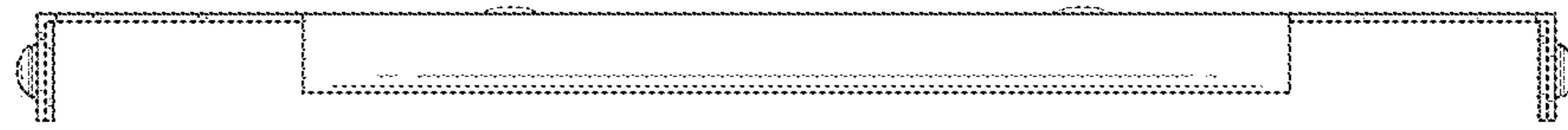


FIG. 9