



US00D982077S

(12) **United States Design Patent**
Khaliq

(10) **Patent No.:** **US D982,077 S**
(45) **Date of Patent:** **** *Mar. 28, 2023**

(54) **THREE SECTION FOLDABLE CLIPBOARD**

(71) Applicant: **Muhammad Sarfraz Khaliq**, Brea, CA
(US)

(72) Inventor: **Muhammad Sarfraz Khaliq**, Brea, CA
(US)

(*) Notice: This patent is subject to a terminal disclaimer.

(**) Term: **15 Years**

(21) Appl. No.: **29/843,223**

(22) Filed: **Jun. 19, 2022**

Related U.S. Application Data

(63) Continuation of application No. 17/555,472, filed on Dec. 19, 2021.

(51) **LOC (14) Cl.** **19-06**

(52) **U.S. Cl.**
USPC **D19/88**

(58) **Field of Classification Search**
USPC ... D19/113, 114, 81, 26-33, 85-92, 99, 135
CPC B43L 1/00; B43L 1/008; B43L 1/08; B43L 1/04; B43L 5/00; B43L 5/02; B43L 5/002; B43L 5/005; B43L 5/007; B42F 9/002; B42F 9/004; B42F 9/005; B42F 9/007; B42F 9/008; B42F 9/001; G09F 15/00;

(Continued)

(56) **References Cited**

U.S. PATENT DOCUMENTS

3,977,744 A * 8/1976 DeWitt A45C 11/34
312/231

D308,542 S * 6/1990 De Witt D19/86
(Continued)

FOREIGN PATENT DOCUMENTS

CN 301872753 * 3/2012
CN 302021171 * 8/2012

(Continued)

OTHER PUBLICATIONS

Amazon. Link: <https://www.amazon.com/SC-Printing-World-Clipboard-Aluminum/dp/B09MKYBMG3/>. Nov. 25, 2021. Nursing Clipboard (Year: 2021).*

(Continued)

Primary Examiner — Lauren D McVey

(74) *Attorney, Agent, or Firm* — Southern Plains IP Law PLLC; Sue C. Watson

(57) **CLAIM**

I claim the ornamental design for a three section foldable clipboard, as shown and described.

DESCRIPTION

FIG. 1 is a perspective view of a three section foldable clipboard in an unfolded position;

FIG. 2 is a perspective view of the three section foldable clipboard with a first and third section folding toward a second section;

FIG. 3 is a perspective view of the three section foldable clipboard in a folded position with the third section folded over the second section and the first section folded over the second section;

FIG. 4 is a top plan view of the three section foldable clipboard in the unfolded position;

FIG. 5 is a bottom plan view of the three section foldable clipboard in the unfolded position;

FIG. 6 is a right side view of the three section foldable clipboard in the unfolded position;

FIG. 7 is a left side view of the three section foldable clipboard in the unfolded position;

FIG. 8 is a top plan view of a lower end of the three section foldable clipboard in the unfolded position; and,

(Continued)

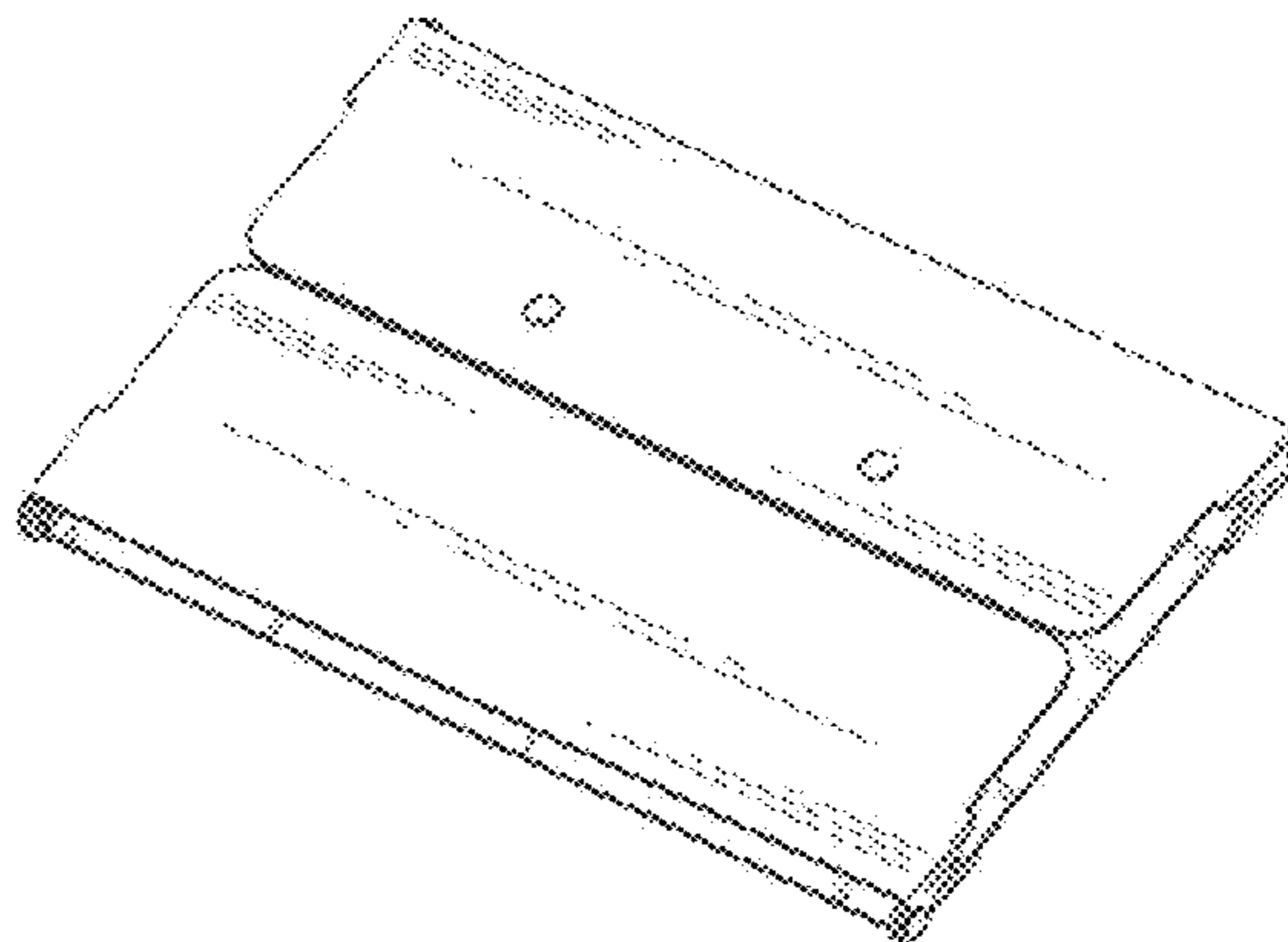
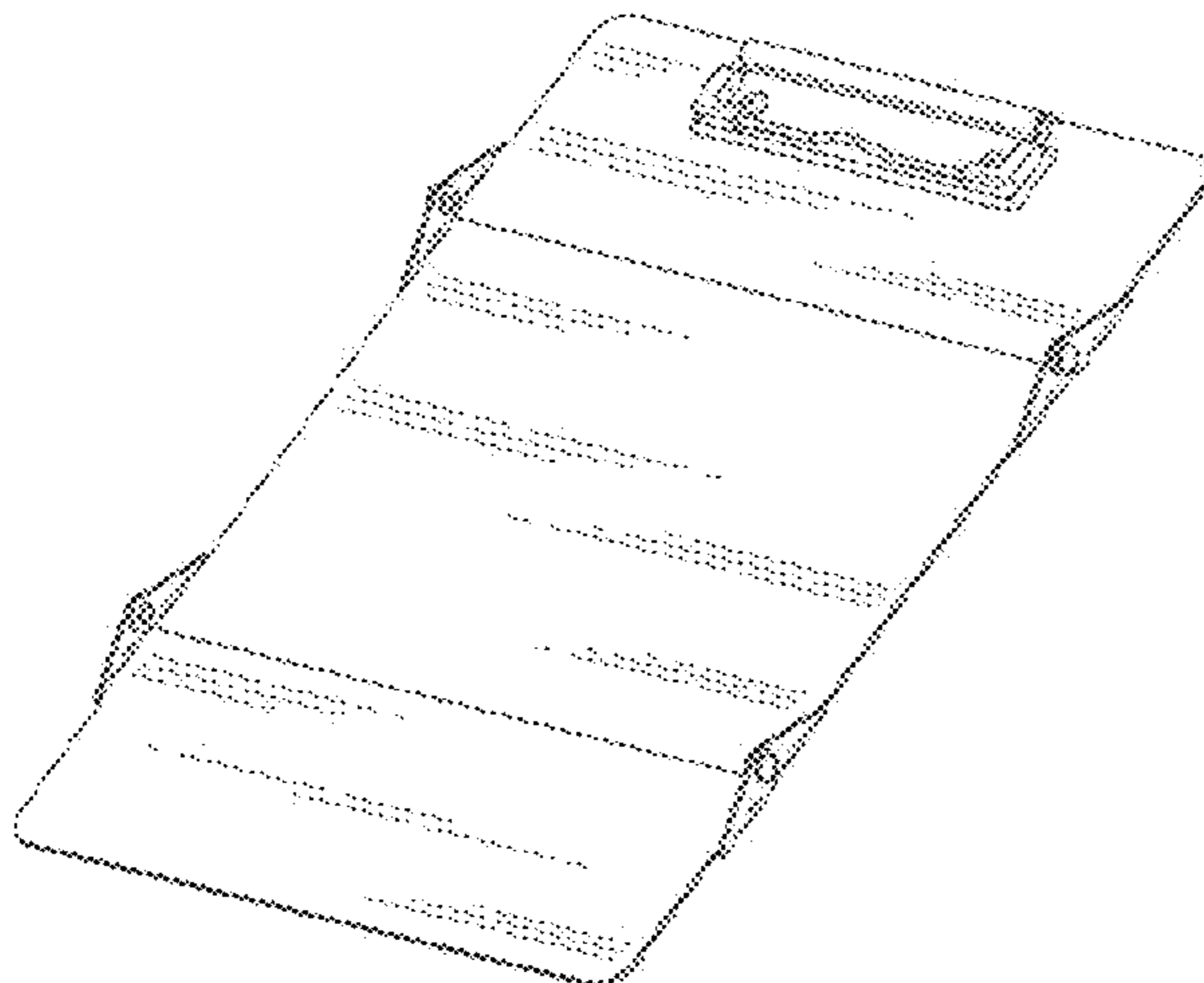


FIG. 9 is a top plan view of an upper end of the three section foldable clipboard in the unfolded position.

1 Claim, 9 Drawing Sheets

(58) Field of Classification Search

CPC G09F 15/0006; G09F 15/0012; G09F 1/12; G09F 7/00; B44D 3/18; B44D 3/185
See application file for complete search history.

(56) References Cited

U.S. PATENT DOCUMENTS

4,997,088	A	3/1991	Spry	
D317,788	S *	6/1991	DeWitt D6/406.4
5,351,992	A	10/1994	Chilson et al.	
5,590,910	A	1/1997	Meth	
5,671,951	A	9/1997	Palmiter et al.	
D394,677	S *	5/1998	Sligar, Jr. D19/88
D415,531	S	10/1999	Schultz	
6,213,439	B1 *	4/2001	Giulie A47B 97/04 248/459
D444,178	S *	6/2001	Citron D19/91
6,439,611	B1	8/2002	Chen	
D487,579	S *	3/2004	Chen D19/88
6,971,616	B1 *	12/2005	Lake B42F 9/001 24/67.3
7,225,570	B2	6/2007	Windorski	
D611,542	S	3/2010	Chen et al.	
D611,544	S	3/2010	Liptan	
8,246,080	B1	8/2012	Bennett	
D697,135	S	1/2014	Tsai	
D723,799	S	3/2015	Glass et al.	

9,021,963	B1 *	5/2015	Jacobsen A45C 9/00 108/44
9,296,553	B1	3/2016	Glass	
9,764,586	B2	9/2017	Pankow et al.	
11,485,164	B1 *	11/2022	Khaliq B42F 9/001
2003/0034263	A1	2/2003	D'Hoste	
2007/0172309	A1	7/2007	Witter et al.	
2007/0187565	A1	8/2007	Lipton	
2010/0084848	A1 *	4/2010	Nguyen B42F 9/001 24/67 R
2012/0073998	A1	3/2012	He	
2017/0231347	A1	8/2017	Ghanma	
2021/0235830	A1	8/2021	Fitzsimmons	

FOREIGN PATENT DOCUMENTS

KR	3020160001720	*	12/2016	
KR	300895339.0000	*	2/2017	
KR	300980997.0000	*	11/2018	
KR	20190094631 A	*	8/2019 B42D 9/005
KR	301036512.0000	*	12/2019	

OTHER PUBLICATIONS

Amazon. Link: <https://www.amazon.com/dp/B0BLH4Q8HR/>. Nov. 4, 2022. GZJoSum Nursing Clipboard Foldable. (Year: 2022).*

Amazon. Link: <https://www.amazon.com/dp/B0BFT7XHH4/>. Sep. 29, 2022. Koojet Nursing Clipboard Foldable. (Year: 2022).*

Amazon. Link: <https://www.amazon.com/dp/B0B1QFFD8P/>. May 19, 2022. Micacia Nursing Clipboard Foldable (Year: 2022).*

Amazon.com, White Coat Clipboard, First available on Amazon Nov. 25, 2013.

A Folding Clipboard, GB Registered Design No. 6018387, Registered Dec. 7, 2017.

* cited by examiner

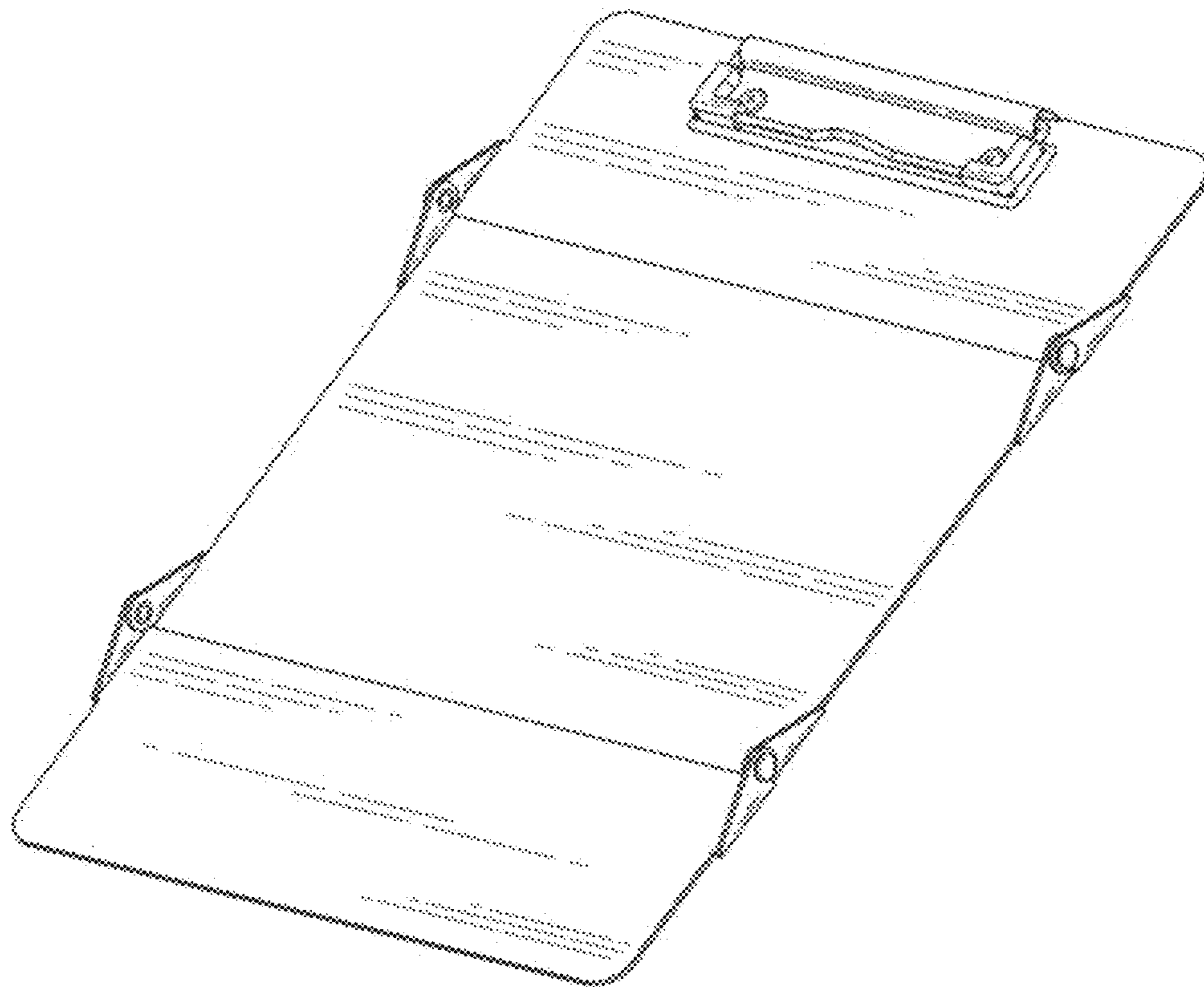


FIG. 1

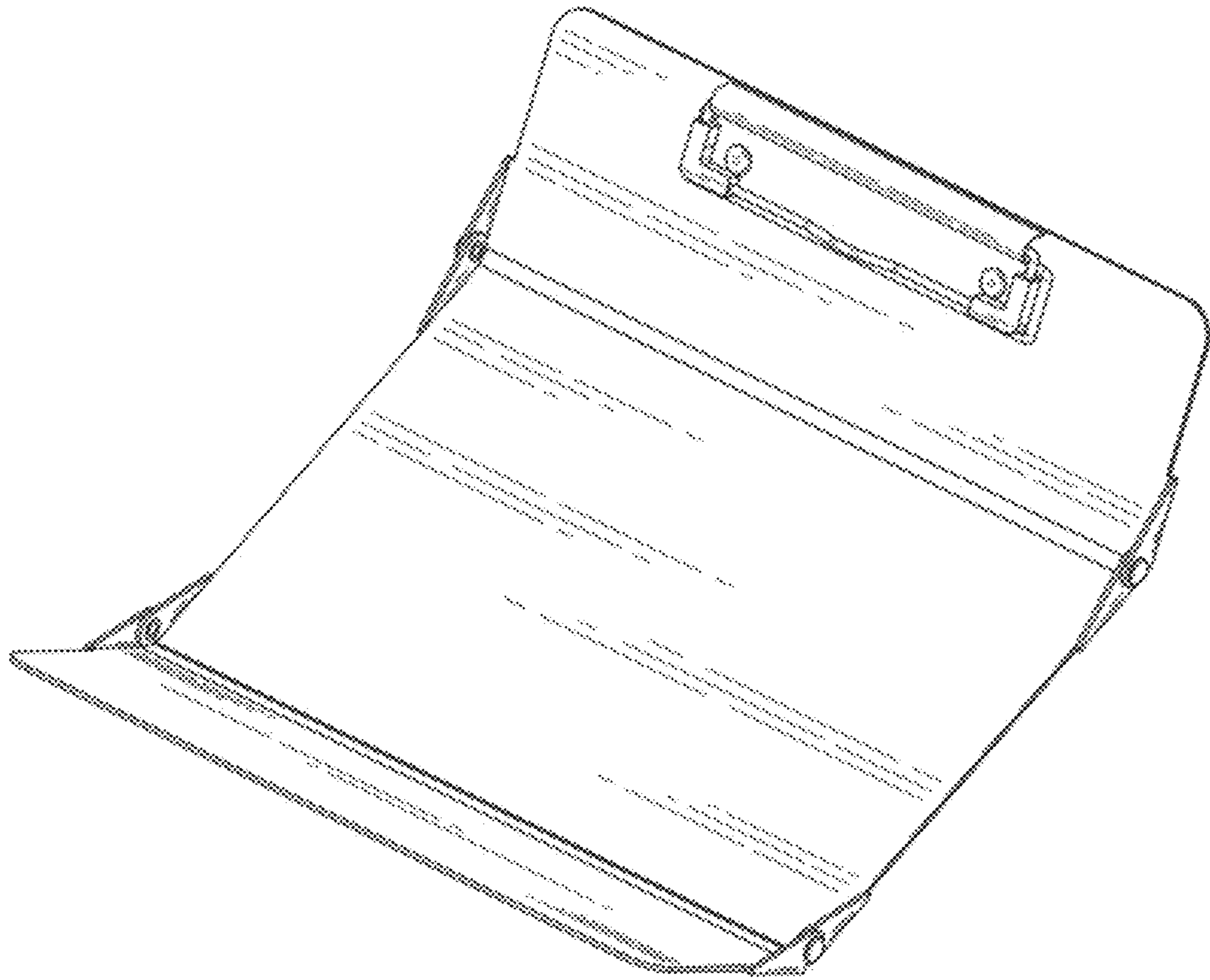


FIG. 2

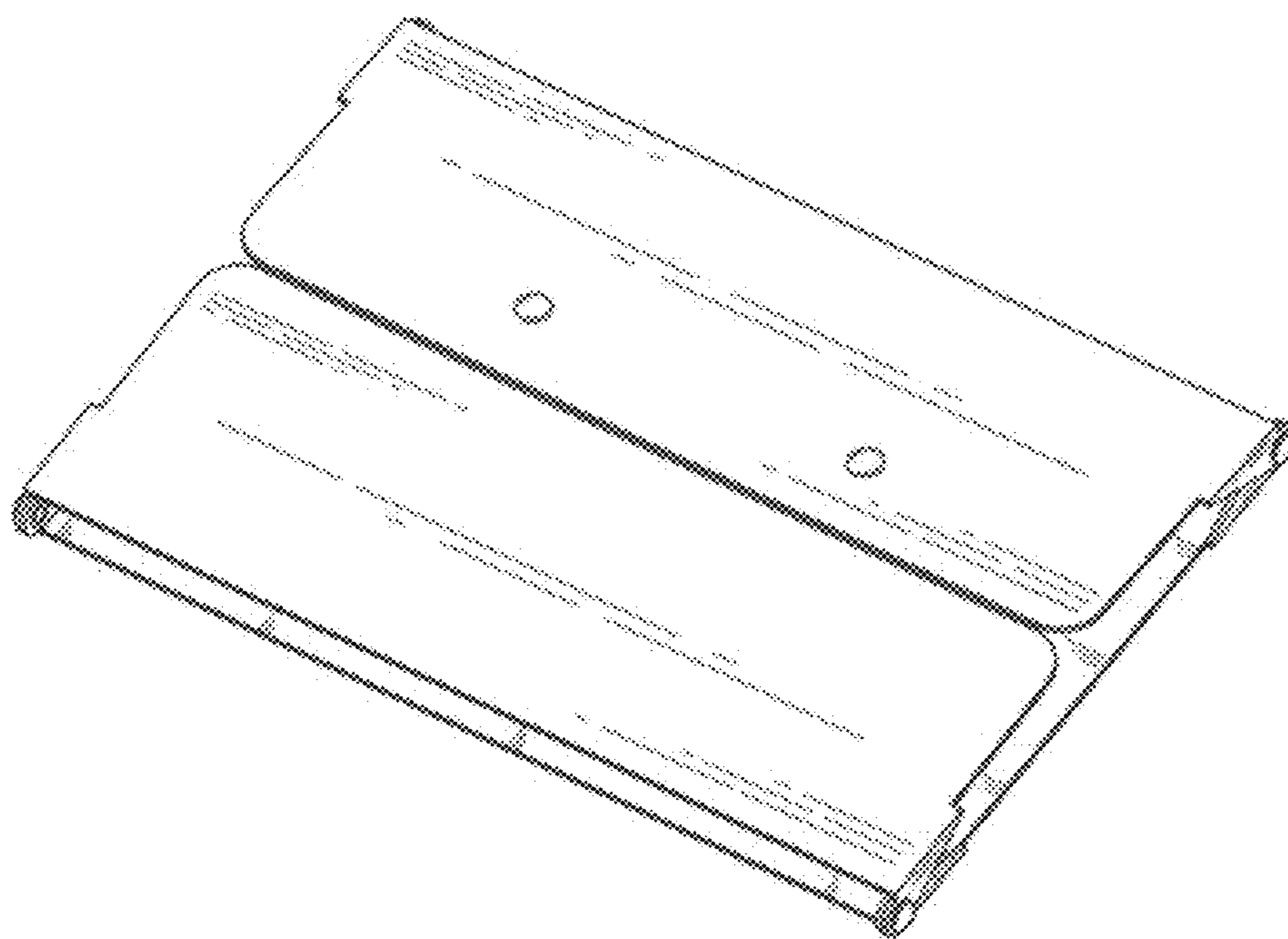


FIG. 3

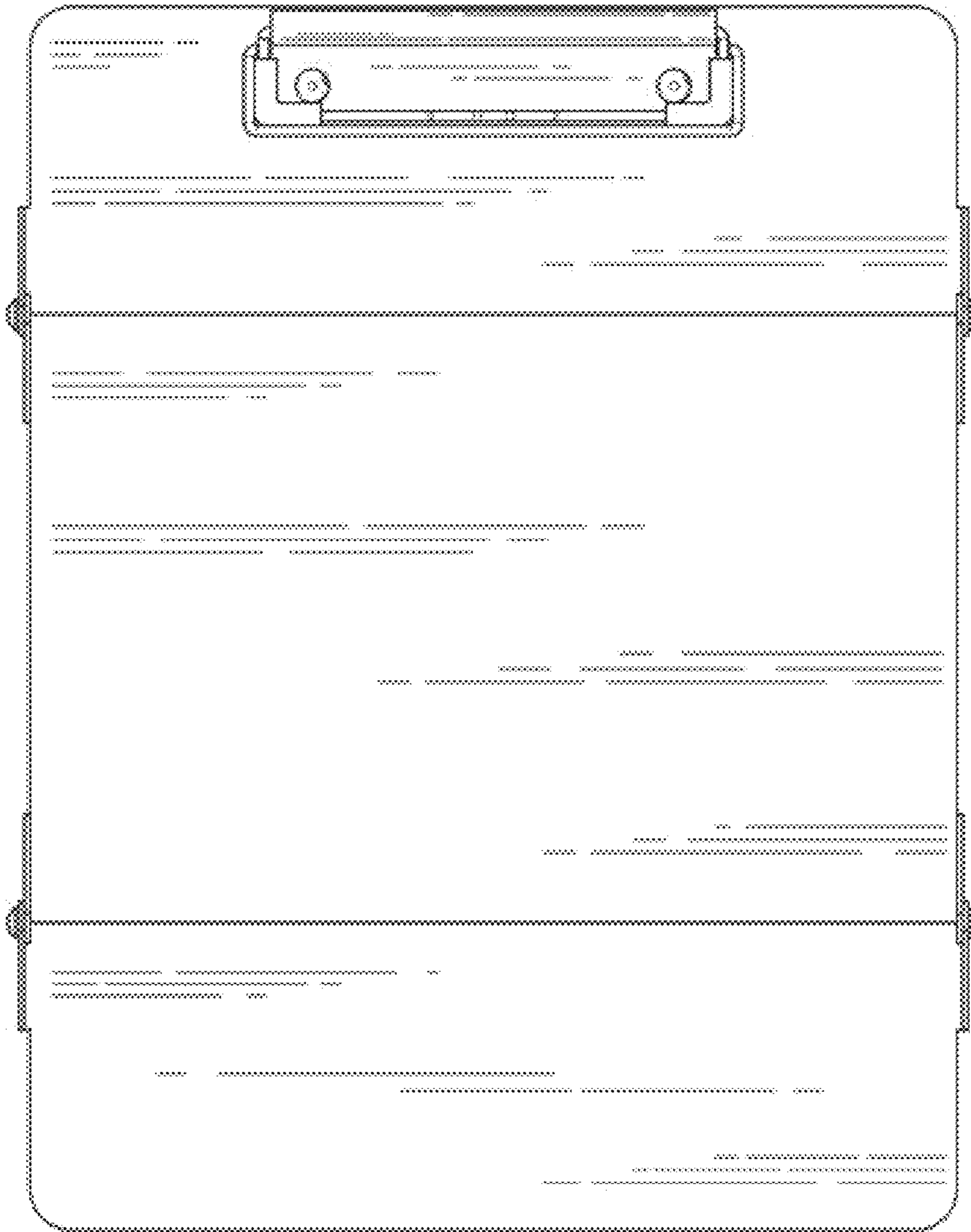


FIG. 4

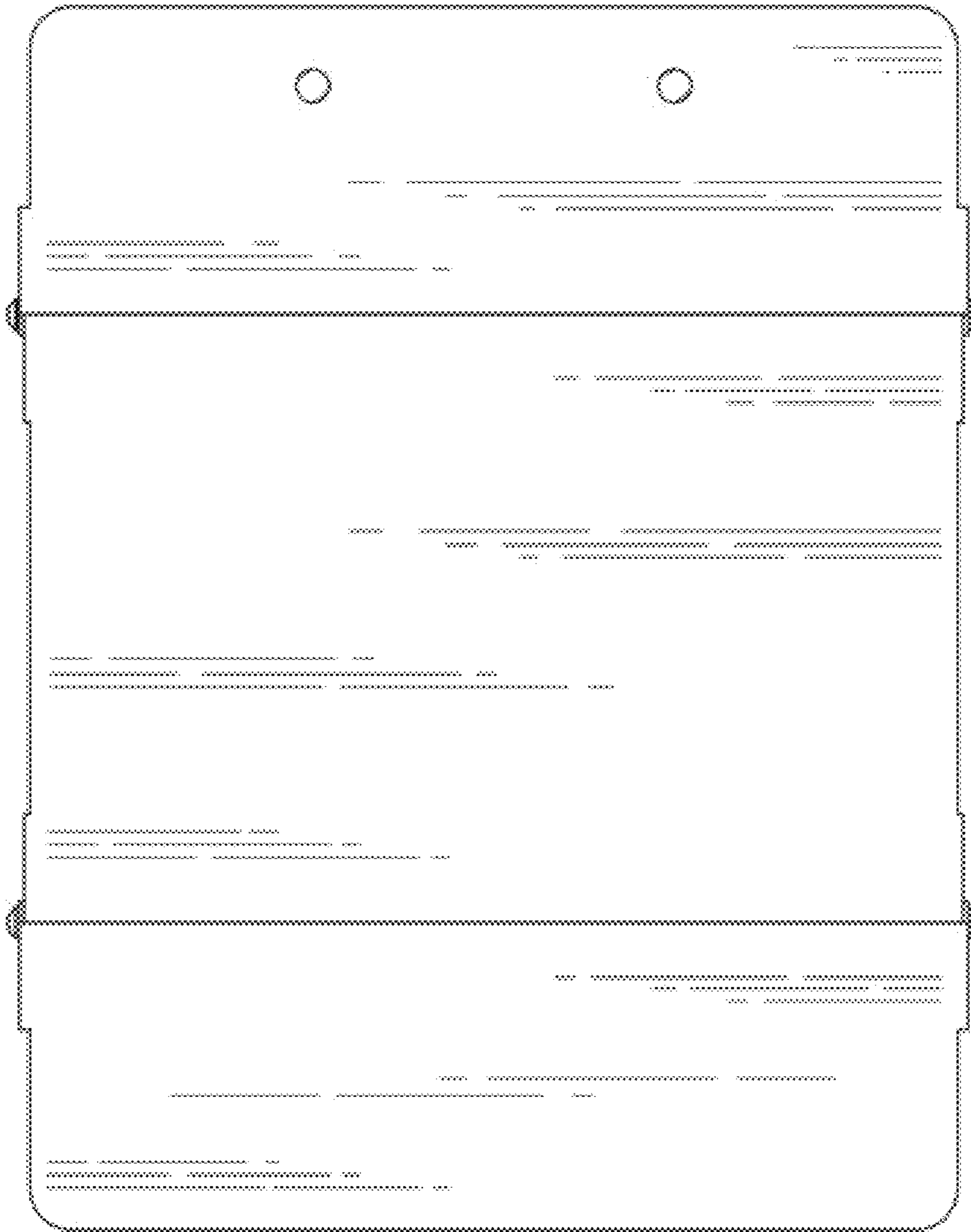


FIG. 5

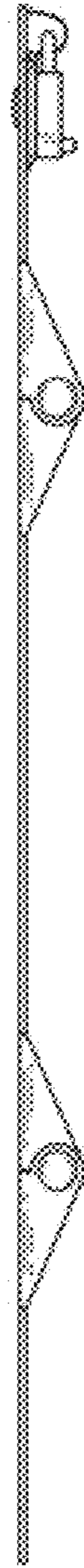


FIG. 6



FIG. 7



FIG. 8

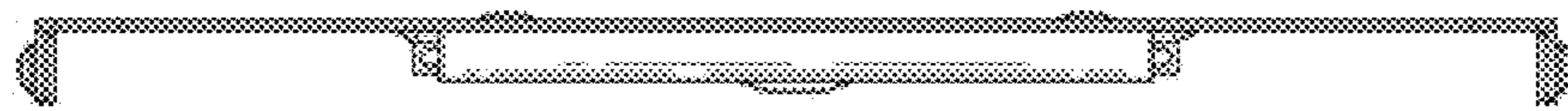


FIG. 9