



US00D982075S

(12) **United States Design Patent**
Ran et al.

(10) **Patent No.:** **US D982,075 S**
(45) **Date of Patent:** **** Mar. 28, 2023**

(54) **CLIP BOARD**

D769,972 S * 10/2016 Thomson D19/88
D821,493 S * 6/2018 Chuang D19/86
D896,308 S * 9/2020 Shamoan D19/88

(71) Applicant: **The Stanley Works Israel Ltd.**, Rosh Ha'Ayin (IL)

FOREIGN PATENT DOCUMENTS

(72) Inventors: **Amit Ran**, Mazkeret Batya (IL); **Gilad Moisa**, Hod HaSharon (IL); **Sharon Bar-Erez**, Gan Yehoshia (IL)

CA 152568 * 7/2014

(73) Assignee: **The Stanley Works Israel Ltd.**, Rosh Ha'Ayin (IL)

OTHER PUBLICATIONS

(**) Term: **15 Years**

DeWalt T-Stak Clipboard posted by Atlas Machinery posted date Nov. 12, 2019, © FACEBOOK, [online], [site visited Jun. 1, 2022]. Available from Internet, <https://m.facebook.com/AtlasMachinerySupply/videos/the-little-thingsnew-dewalt-t-stak-clipboard-coming-soon-to-atlas-stafdaonlocati/744721352660234/> (Year: 2019).
Hardware Contractor Clipboard posted by Flambeau posted date Apr. 14, 2020, © AMAZON, [online], [site visited Jun. 1, 2022]. Available from Internet, <https://www.amazon.com/Flambeau-Hardware-6535TH-Contractor-Clipboard> (Year: 2020).*

(21) Appl. No.: **29/737,265**

(22) Filed: **Jun. 8, 2020**

(30) **Foreign Application Priority Data**

Dec. 12, 2019 (EM) 007382445

* cited by examiner

(51) **LOC (14) Cl.** **19-02**

Primary Examiner — Garth Rademaker

(52) **U.S. Cl.**
USPC **D19/88**

Assistant Examiner — Laura H Yu

(58) **Field of Classification Search**
USPC D19/26–33, 81, 88, 113, 114; D6/310, D6/311; D7/698; D20/10, 19, 39, 40, D20/41, 42; D14/341, 440
CPC B43L 1/00; B43L 1/008; B43L 1/08; B43L 1/04; B43L 5/00; B43L 5/02; B43L 5/002; B43L 5/005; B43L 5/007; B42F 9/001; B42F 9/002; B42F 9/004; B42F 9/005

(74) *Attorney, Agent, or Firm* — Bruce S. Shapiro

See application file for complete search history.

(57) **CLAIM**

The ornamental design for a clipboard, as shown and described.

(56) **References Cited**

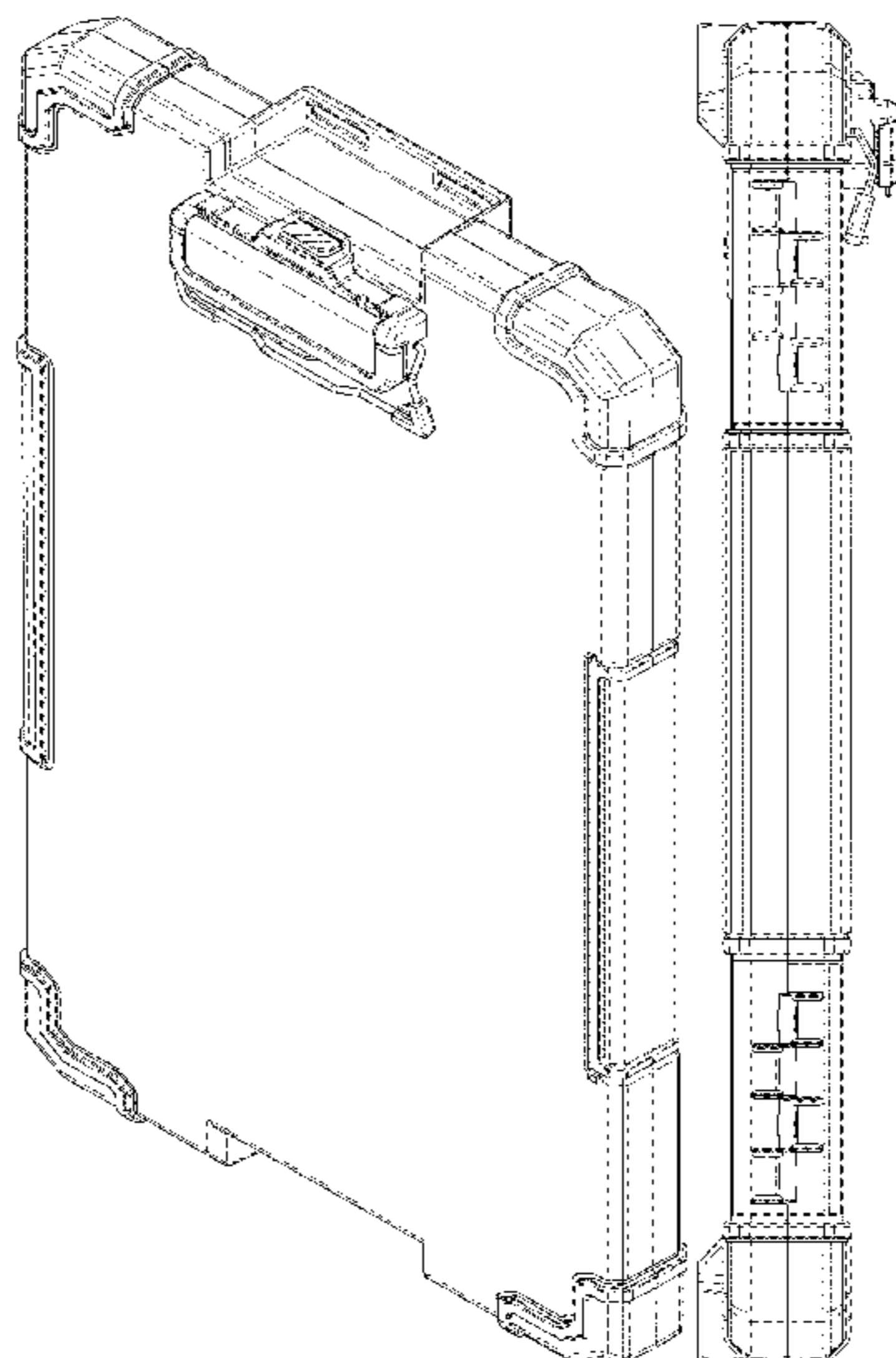
U.S. PATENT DOCUMENTS

D510,389 S * 10/2005 Shamoan D19/78
D586,400 S * 2/2009 Shamoan D19/88
D599,856 S * 9/2009 Chen D19/88
D647,969 S * 11/2011 Shamoan D19/88
D692,949 S * 11/2013 Shamoan D19/88

DESCRIPTION

FIG. 1 is a front isometric view of a clipboard according to our new design;
FIG. 2 is an elevation view of the front of the clipboard;
FIG. 3 is an elevation view of the back of the clipboard;
FIG. 4 is an elevation view of the right side of the clipboard;
FIG. 5 is an elevation view of the left side of the clipboard;
FIG. 6 is a plan view of the top of the clipboard; and,
FIG. 7 is a plan view of the bottom of the clipboard.
The broken lines illustrate portions of the clipboard and form no part of the claimed design.

1 Claim, 7 Drawing Sheets



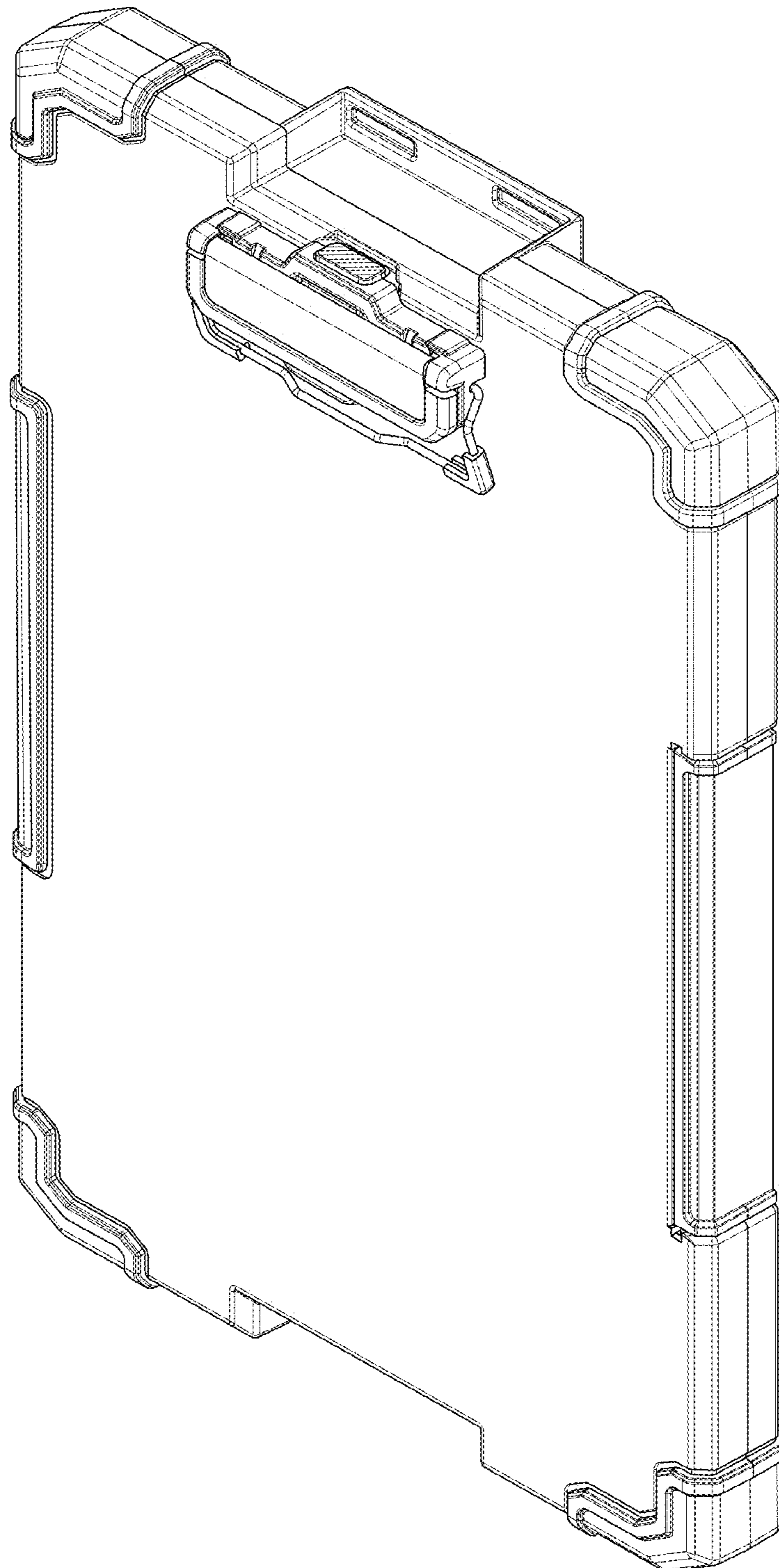


FIG. 1

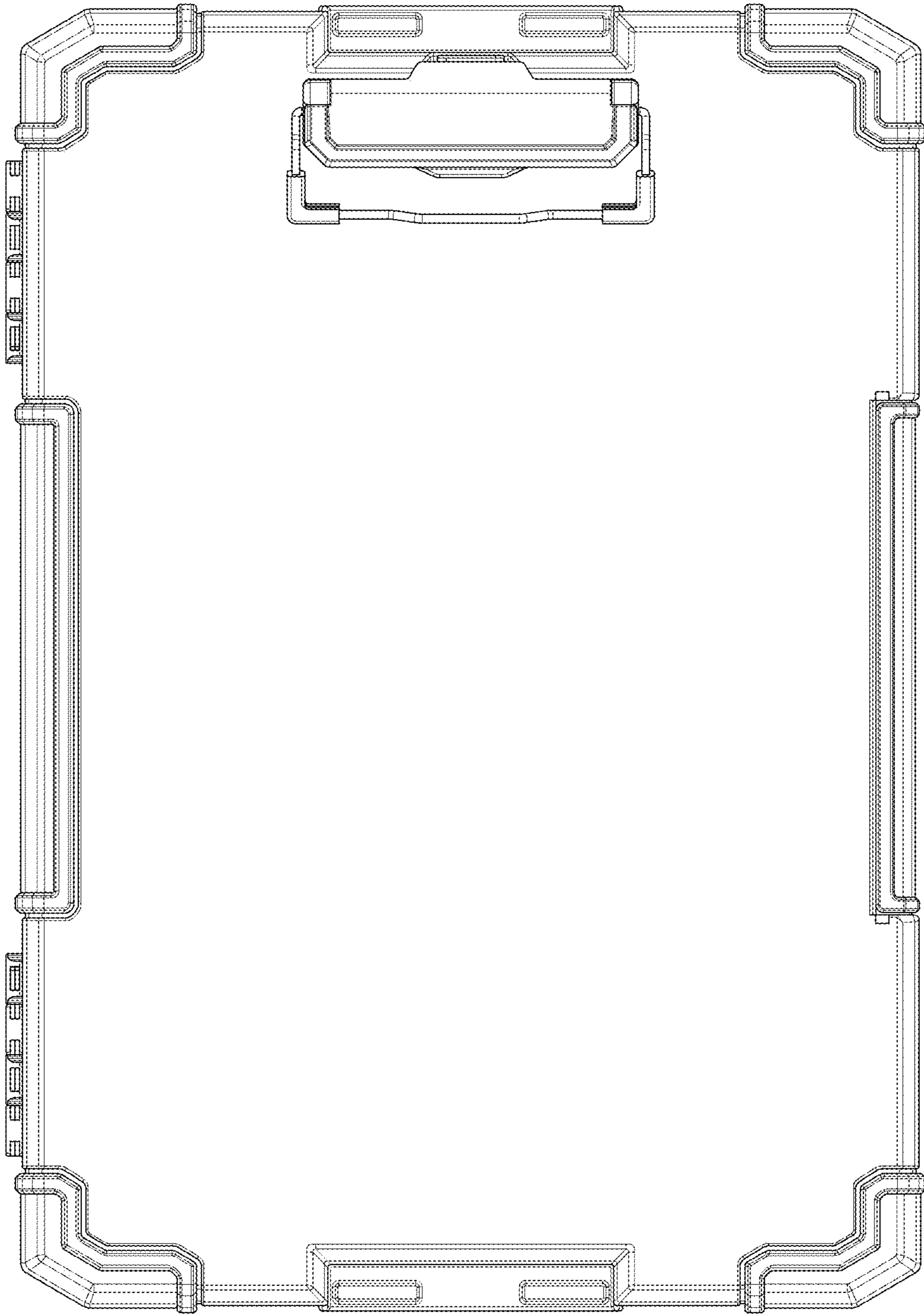


FIG. 2

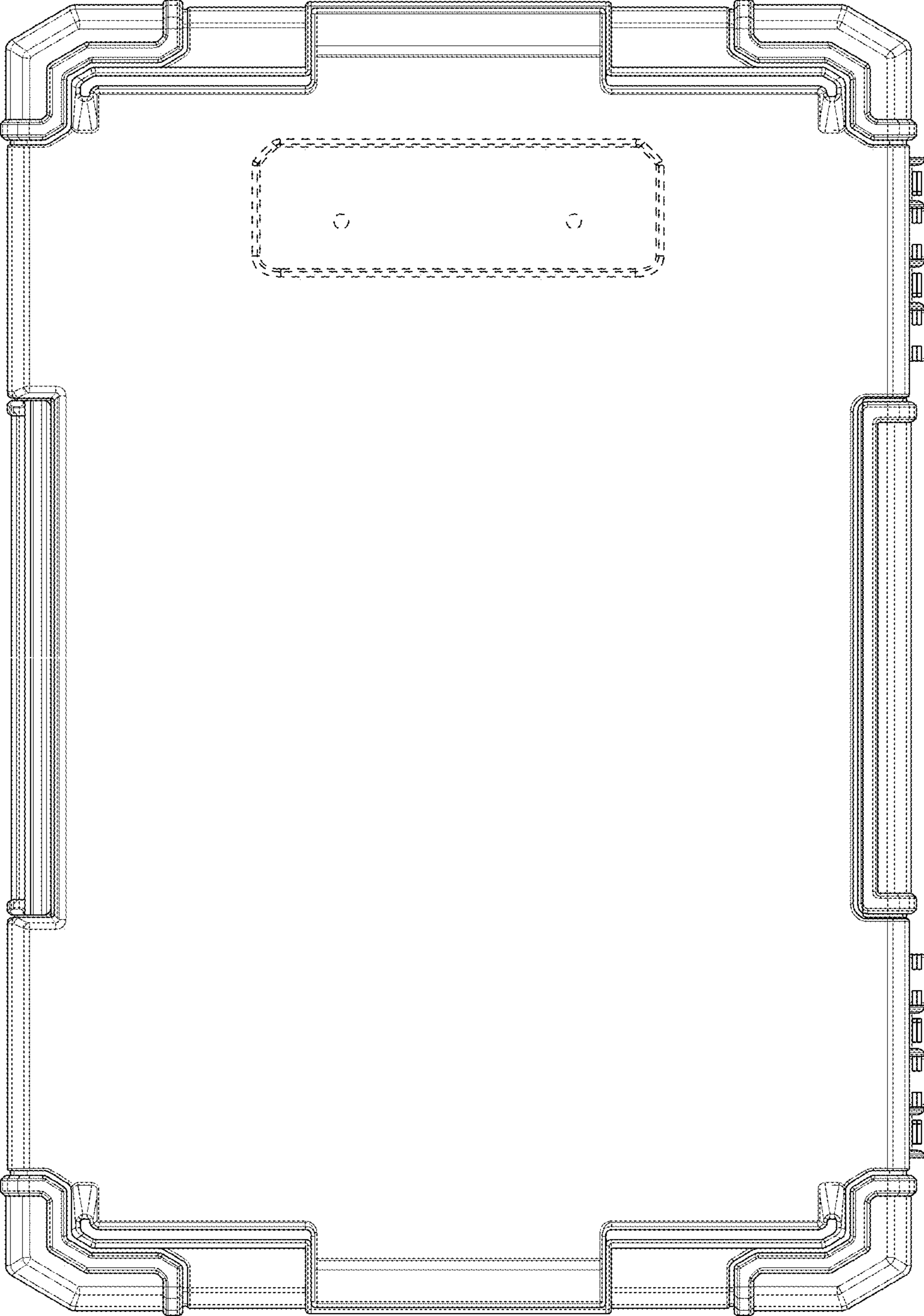


FIG. 3

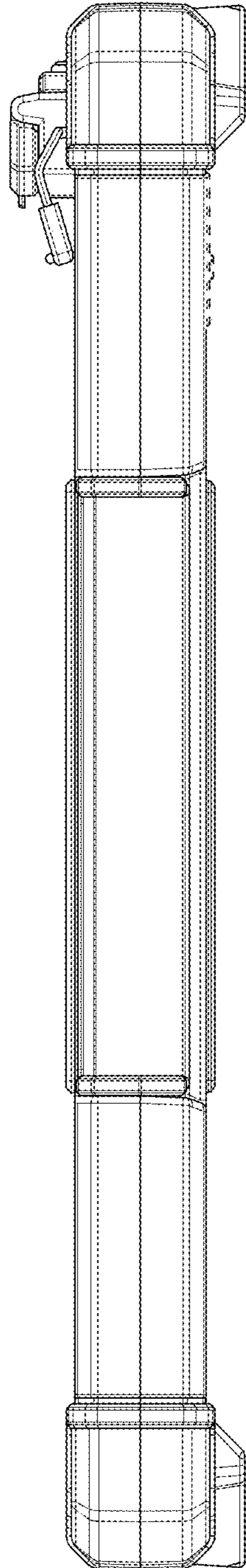


FIG. 4

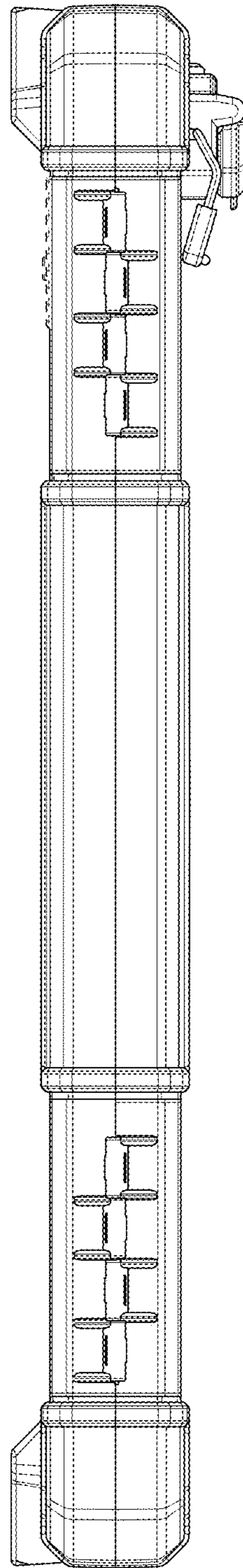


FIG. 5

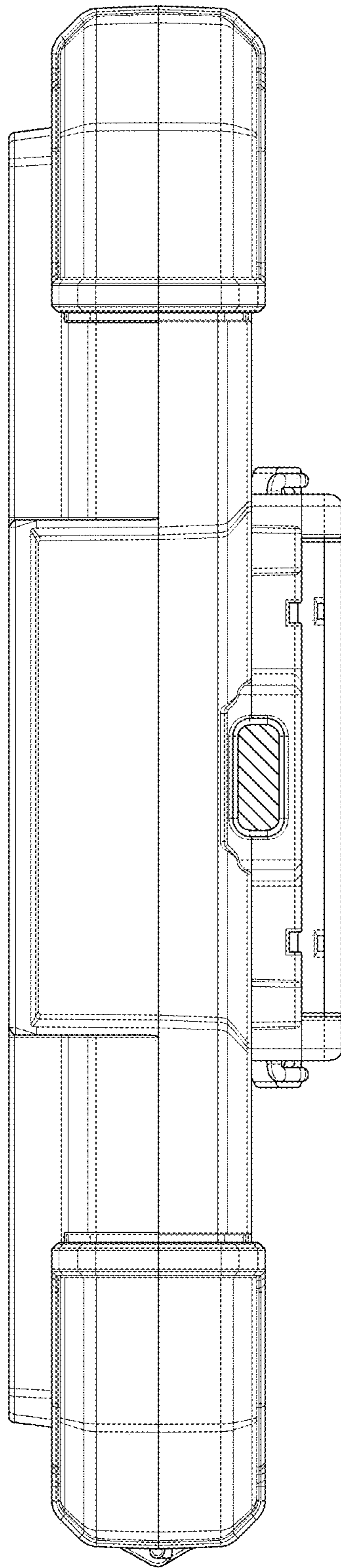


FIG. 6

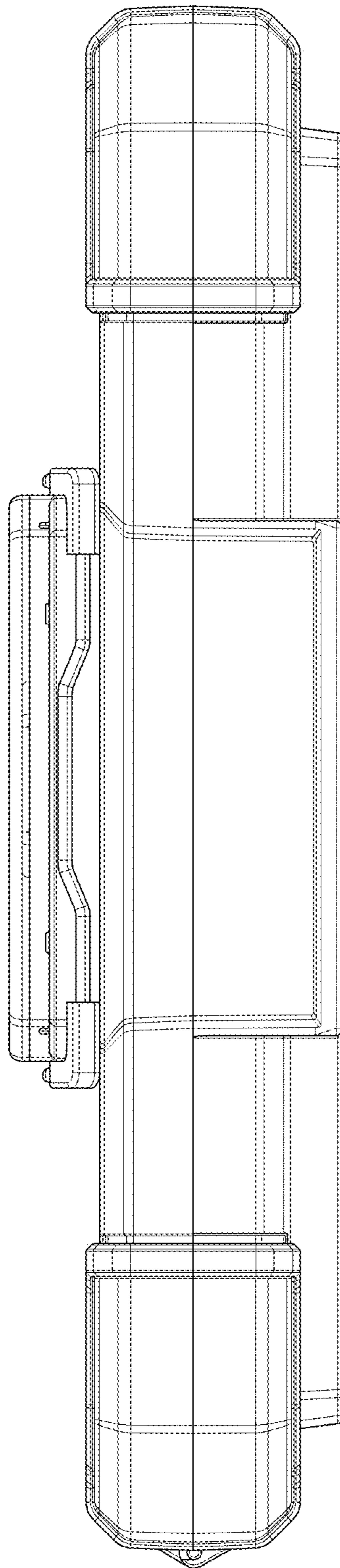


FIG. 7