



US00D982073S

(12) **United States Design Patent** (10) **Patent No.:** **US D982,073 S**  
**Udagawa et al.** (45) **Date of Patent:** **\*\* Mar. 28, 2023**

(54) **INK BOTTLE FOR REFILLING PRINTER CARTRIDGES**

(56) **References Cited**

U.S. PATENT DOCUMENTS

- (71) Applicant: **CANON KABUSHIKI KAISHA**, Tokyo (JP)
- (72) Inventors: **Kenta Udagawa**, Tokyo (JP); **Hiroshi Koshikawa**, Kanagawa-ken (JP); **Hiroki Hayashi**, Kanagawa-ken (JP); **Noriyasu Nagai**, Tokyo (JP); **Manabu Ohara**, Kanagawa-ken (JP); **Shoki Takiguchi**, Tokyo (JP)
- (73) Assignee: **Canon Kabushiki Kaisha**, Tokyo (JP)
- (\*\*) Term: **15 Years**
- (21) Appl. No.: **29/779,139**
- (22) Filed: **Apr. 16, 2021**

D277,736 S *	2/1985	Long	.....	D9/443
D279,080 S *	6/1985	Negishi	.....	D9/453
D362,623 S *	9/1995	Ma	.....	D9/443
D419,069 S *	1/2000	Beck	.....	D9/443
D443,512 S *	6/2001	Kishita	.....	D9/443
D775,953 S *	1/2017	Ruthe-Steinsiek	.....	D9/453
D786,966 S *	5/2017	Matsushita	.....	D18/56
D816,158 S *	4/2018	Yoshii	.....	D18/56
D838,171 S *	1/2019	Wood	.....	D9/453
D865,521 S *	11/2019	Ishizawa	.....	D9/453

(Continued)

*Primary Examiner* — Khawaja Anwar

(74) *Attorney, Agent, or Firm* — Venable LLP

**Related U.S. Application Data**

(62) Division of application No. 35/508,987, filed on Oct. 2, 2019 (U.S. filing date under 35 U.S.C. 384), and having an international filing date of Oct. 2, 2019, now Pat. No. Des. 925,647.

**Foreign Application Priority Data**

- Apr. 5, 2019 (JP) ..... 2019007446
- Apr. 5, 2019 (JP) ..... 2019007448
- (51) **LOC (14) Cl.** ..... **18-03**
- (52) **U.S. Cl.**  
USPC ..... **D18/56**
- (58) **Field of Classification Search**  
USPC ..... D18/18, 40, 43, 56, 99  
CPC ..... G03G 15/0832; G03G 15/0834; G03G 15/0836; G03G 15/0837; G03G 15/0867; G03G 15/0868; G03G 15/0872; G03G 15/0877; G03G 15/0898; G03G 15/50; G03G 15/5016; G03G 15/60; G03G 15/65

See application file for complete search history.

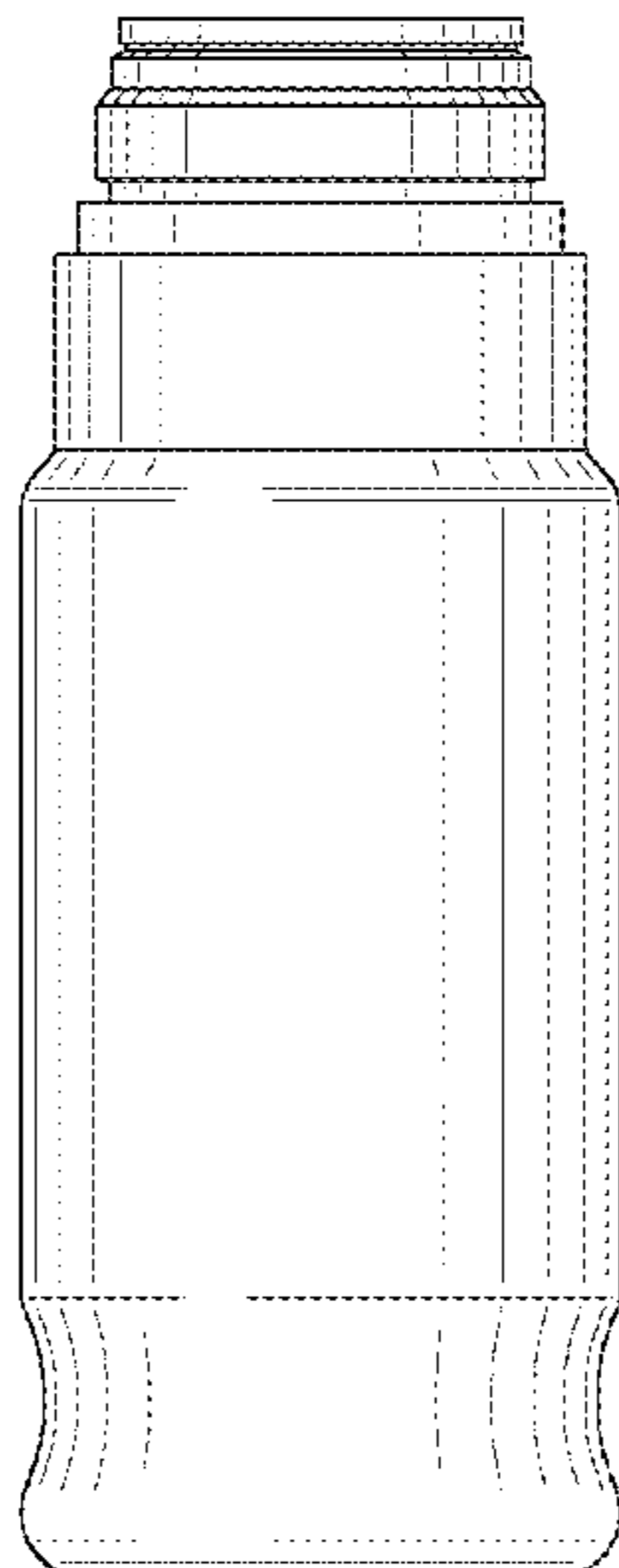
(57) **CLAIM**

The ornamental design for an ink bottle for refilling printer cartridges, as shown and described.

**DESCRIPTION**

- FIG. 1 : Front
- FIG. 2: Back
- FIG. 3: Top
- FIG. 4: Bottom
- FIG. 5: Left
- FIG. 6: Right
- FIG. 7: Perspective
- FIG. 8: Perspective
- FIG. 9: Front
- FIG. 10: Back
- FIG. 11: Top
- FIG. 12: Bottom
- FIG. 13: Left
- FIG. 14: Right
- FIG. 15: Perspective; and,
- FIG. 16: Perspective

**1 Claim, 16 Drawing Sheets**



(56)

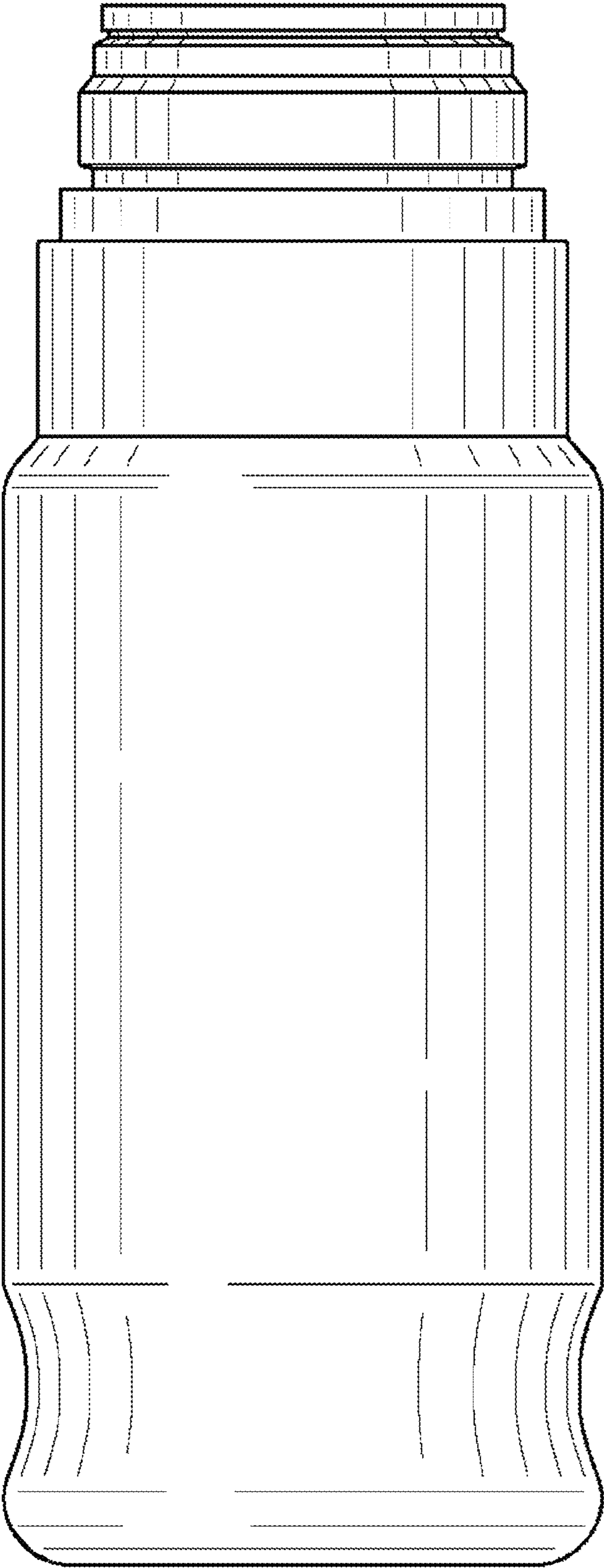
**References Cited**

U.S. PATENT DOCUMENTS

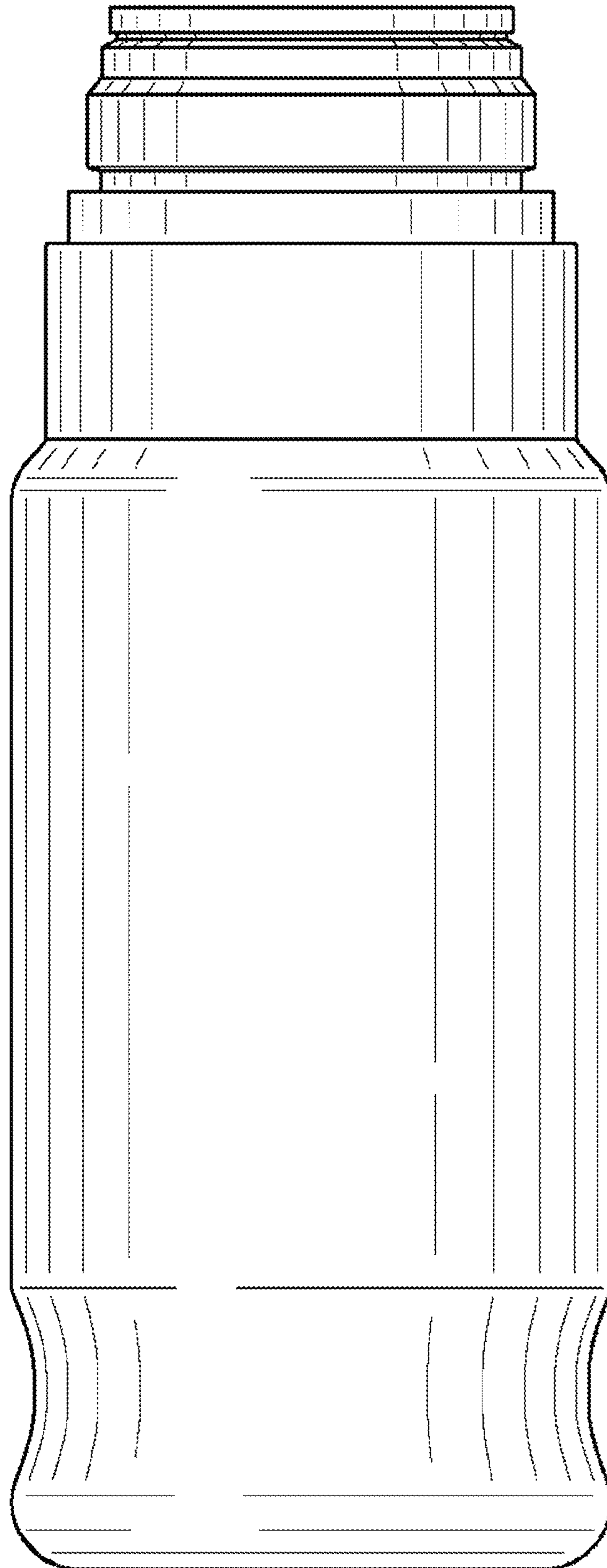
D869,550 S \* 12/2019 Yoshii ..... D18/56  
D906,415 S \* 12/2020 Fukushima ..... D18/43  
D908,496 S \* 1/2021 Domnine ..... D9/453

\* cited by examiner

FIG. 1



**FIG. 2**



**FIG. 3**

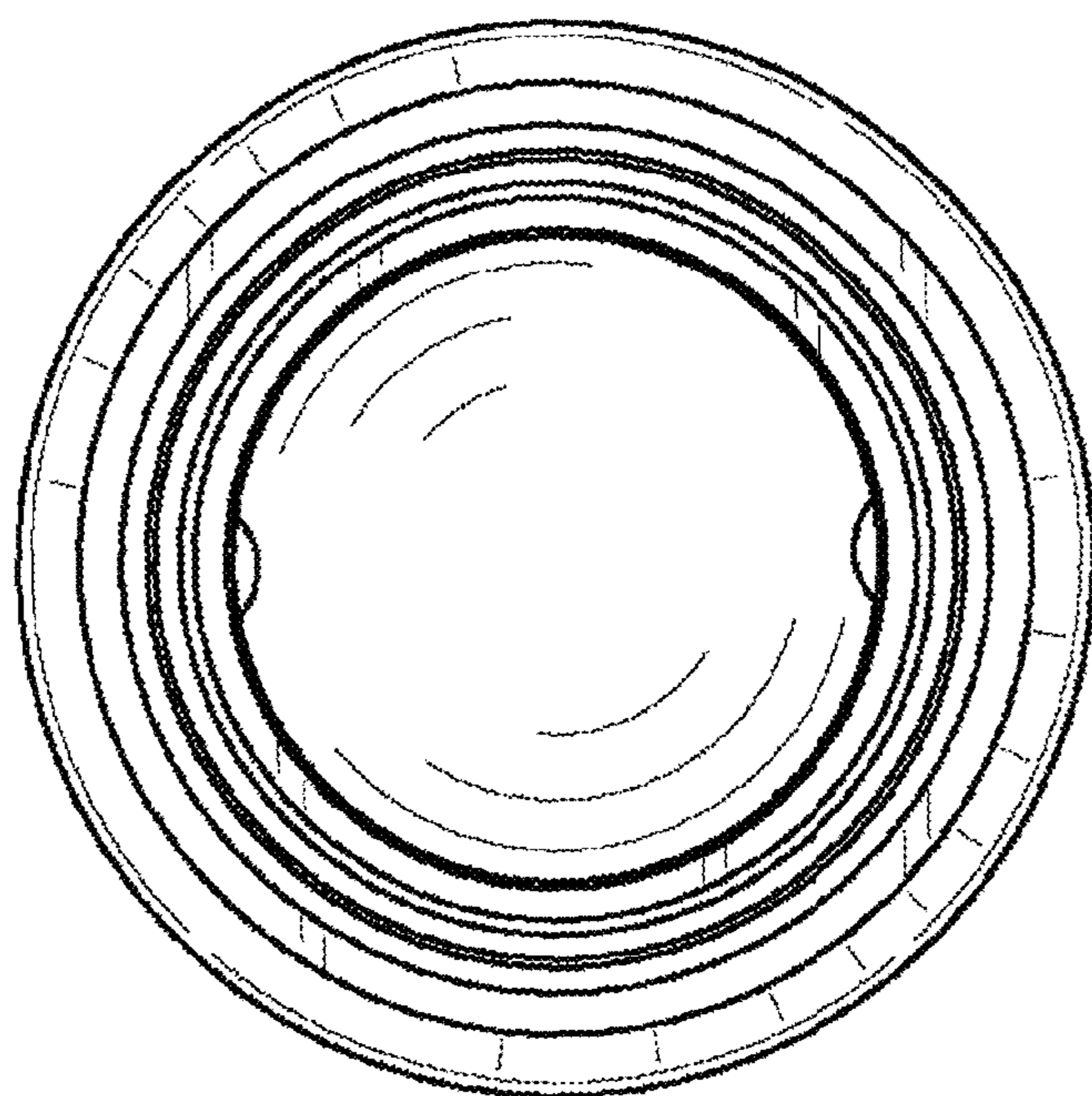


FIG. 4

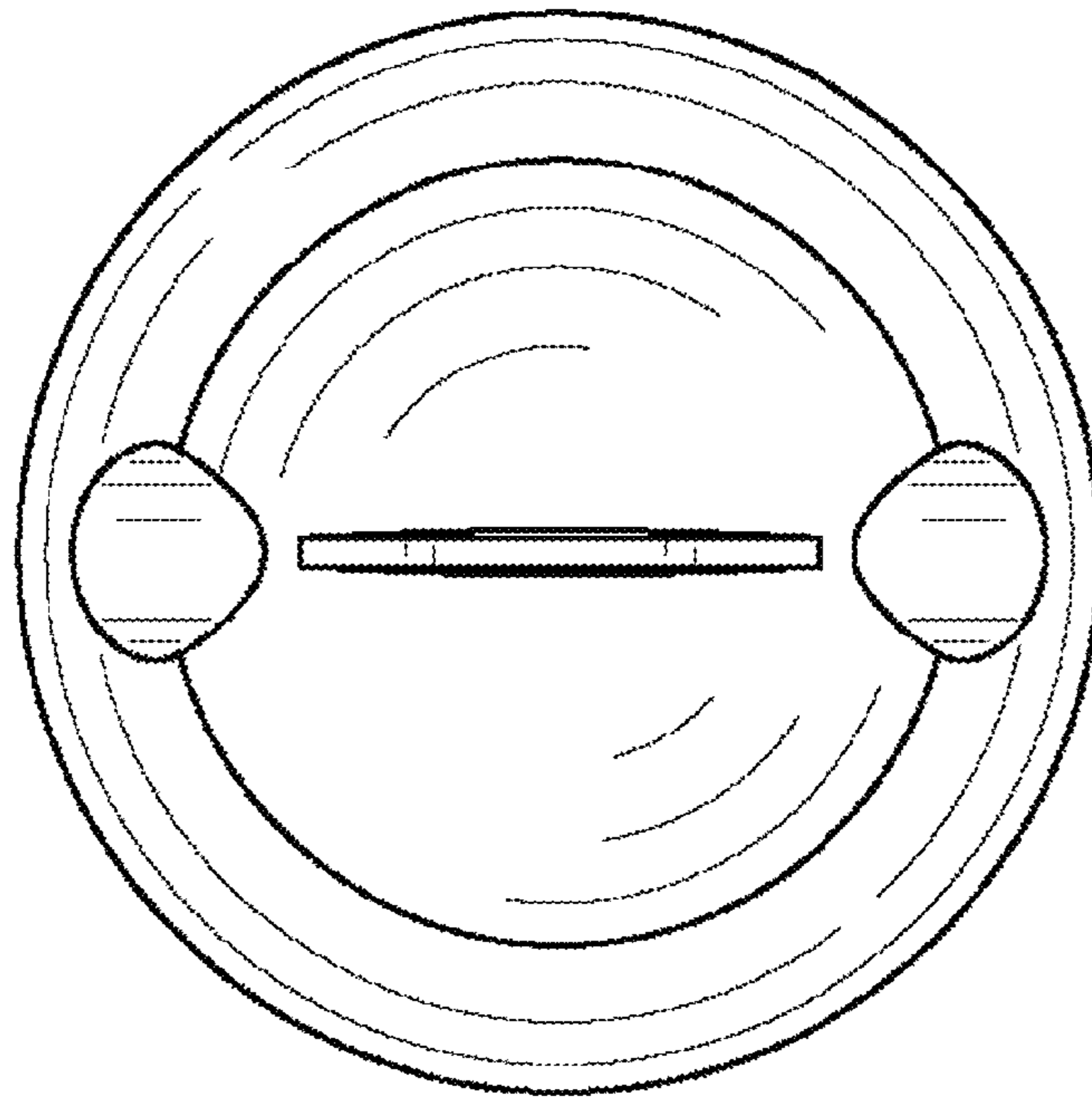
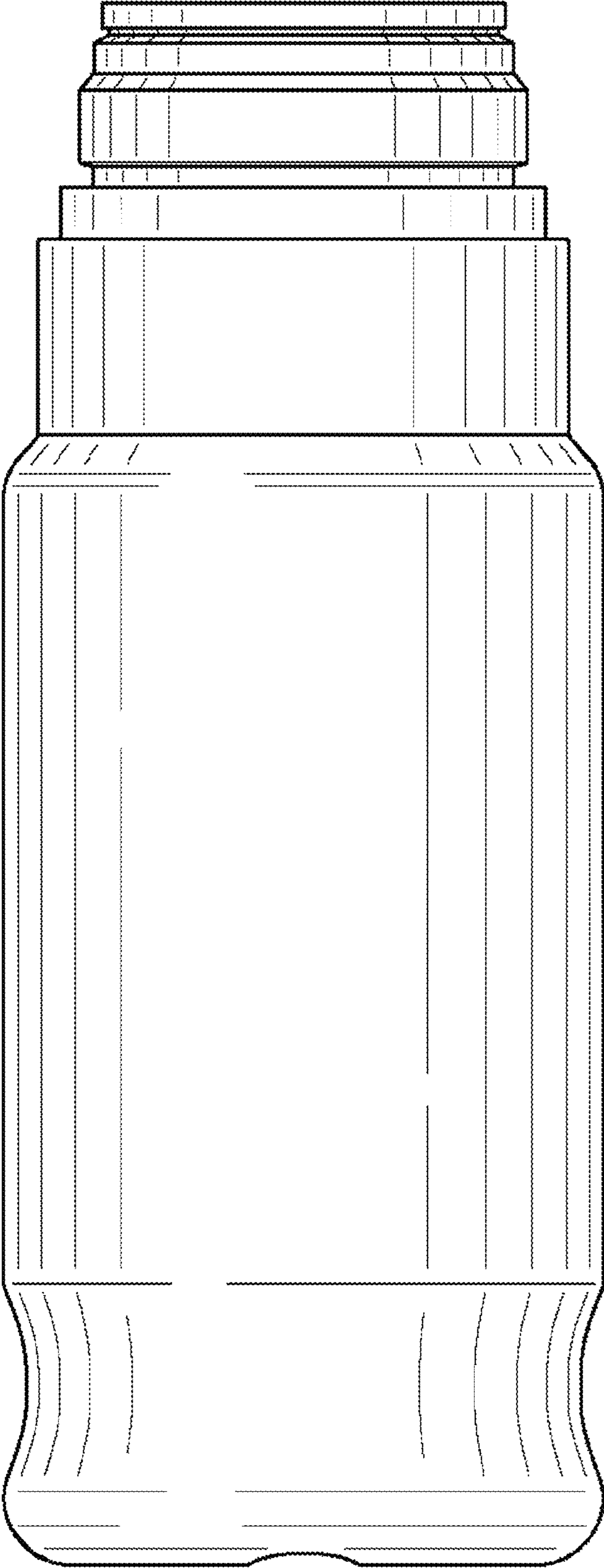




FIG. 5



**FIG. 6**

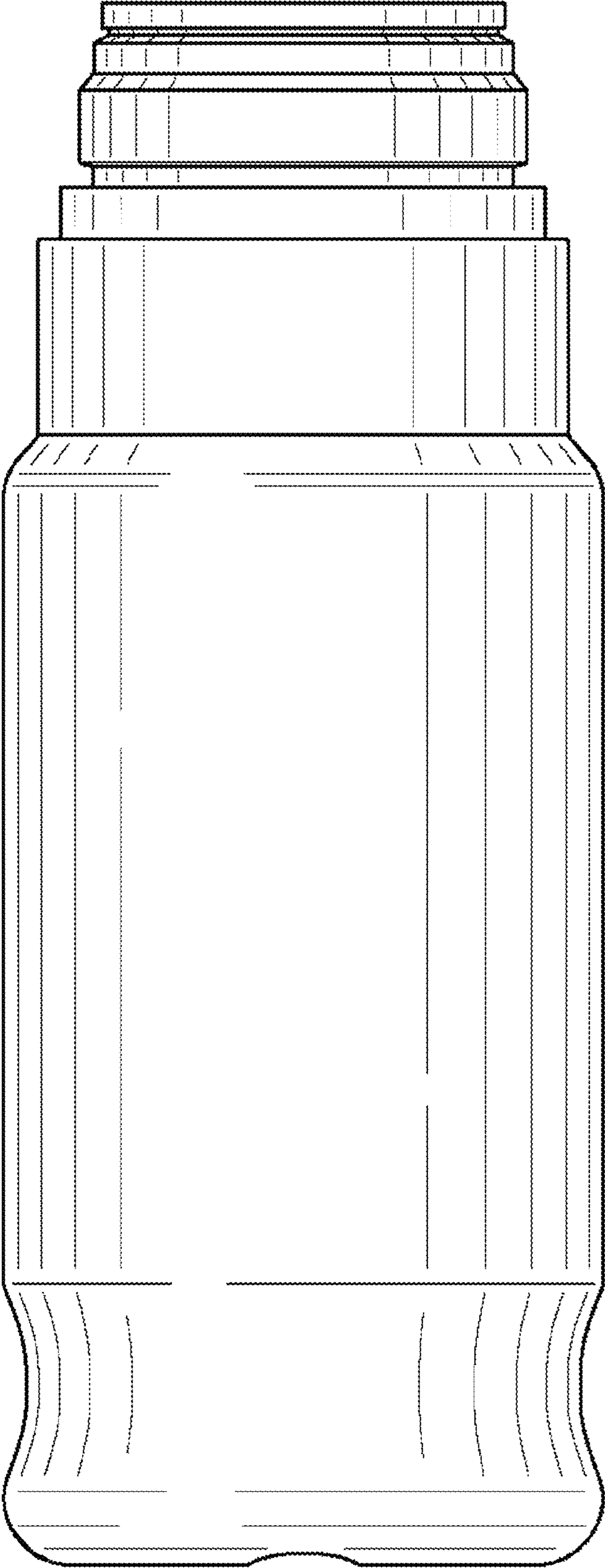




FIG. 7

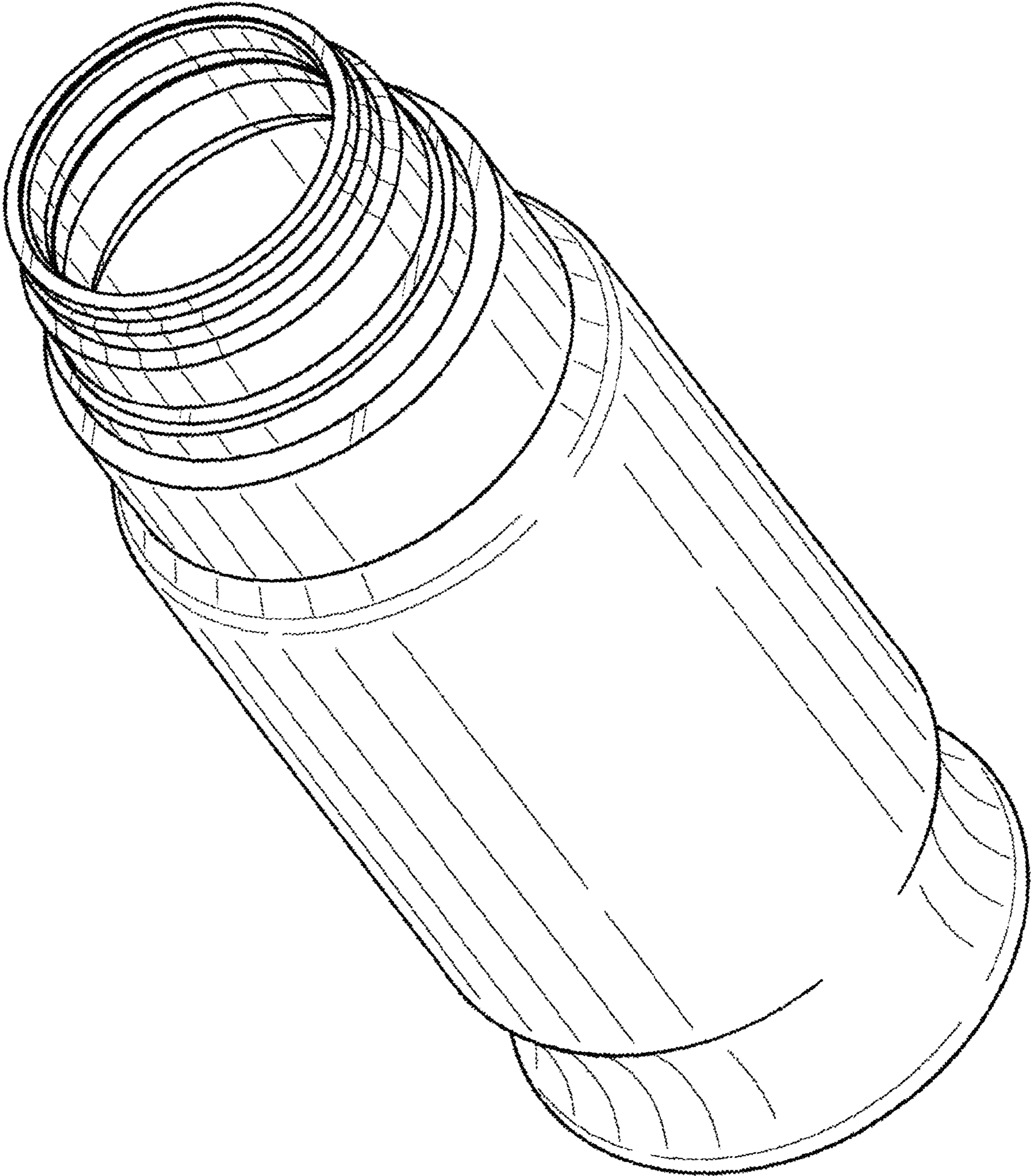


FIG. 8

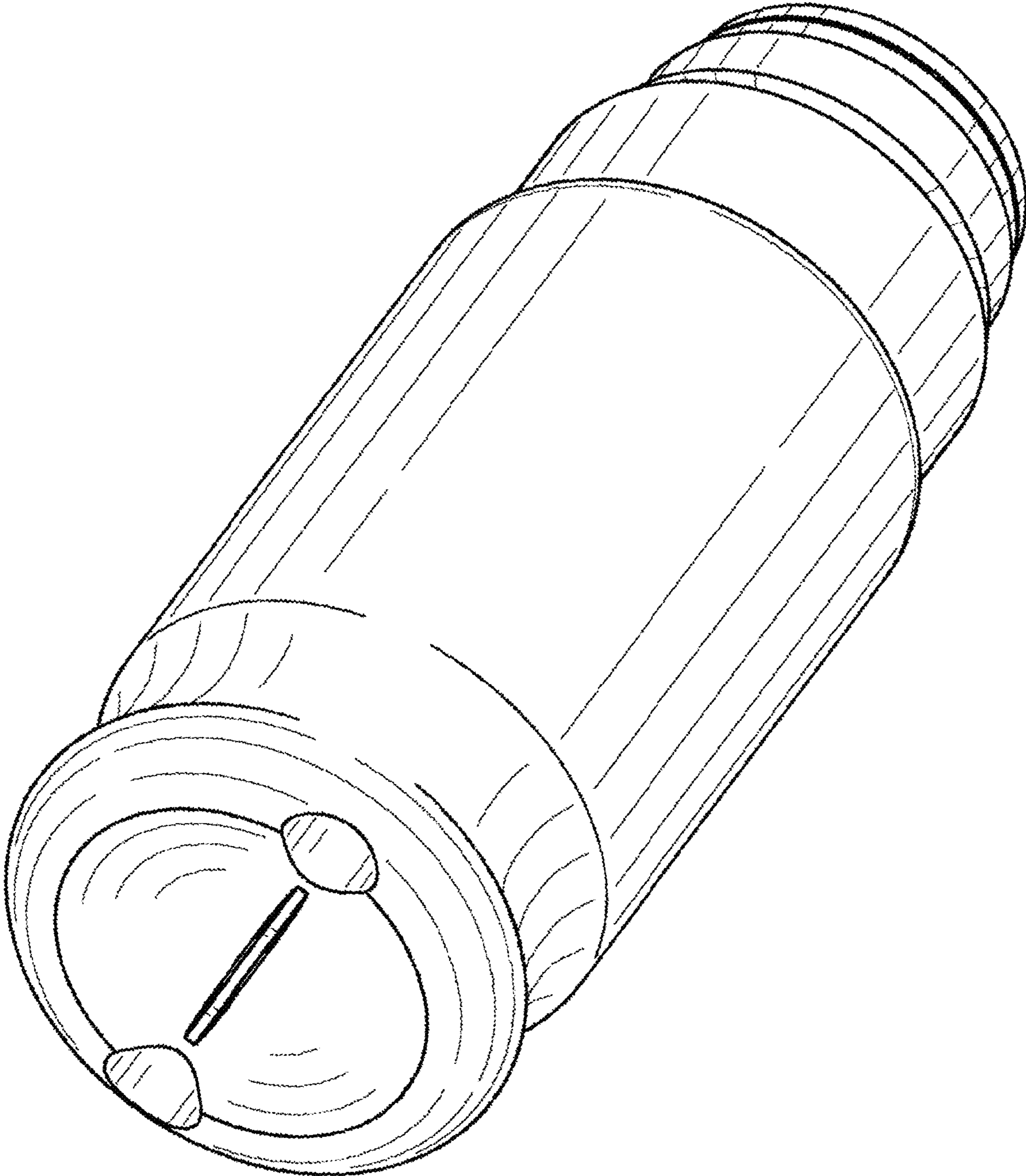
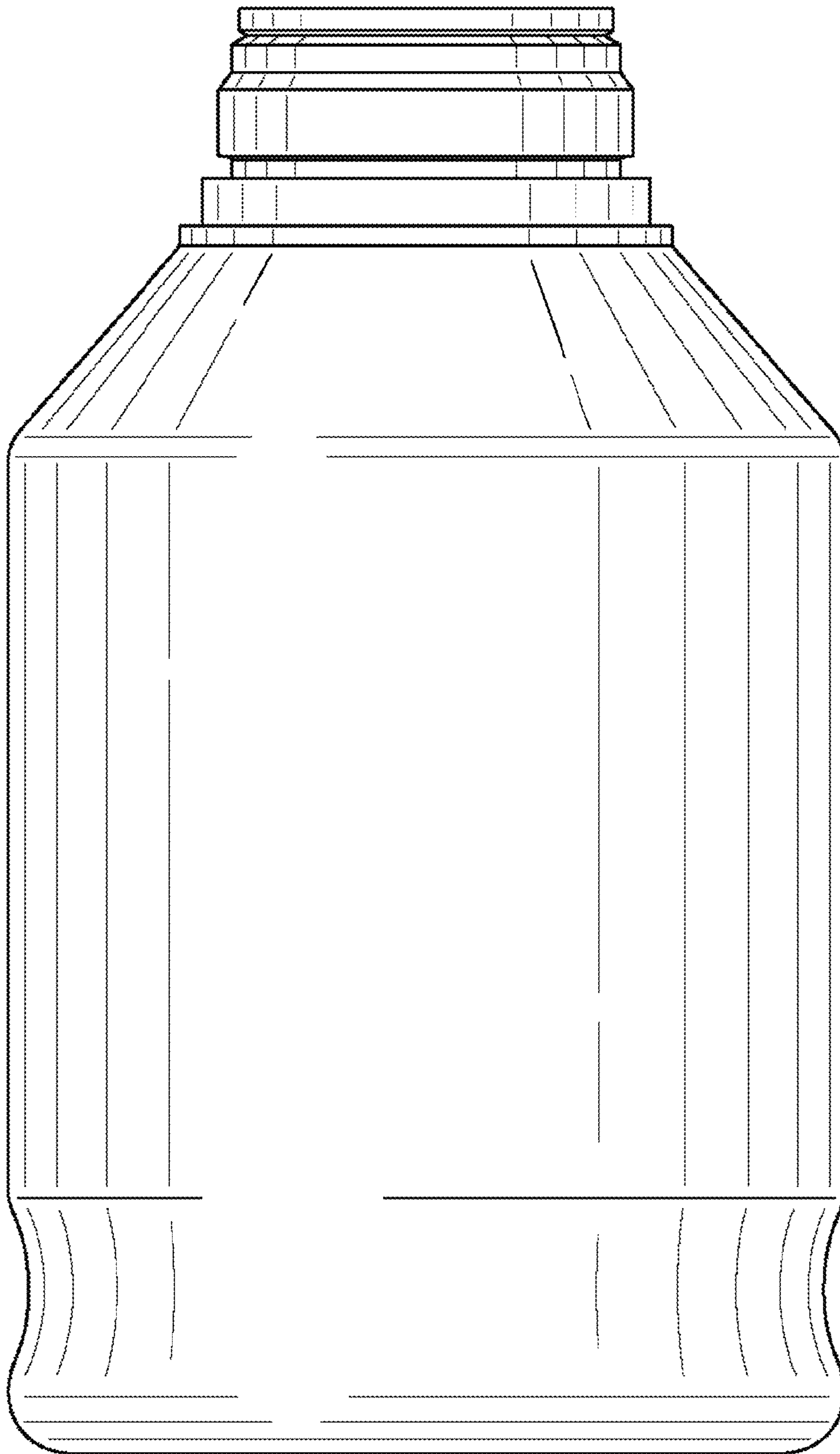
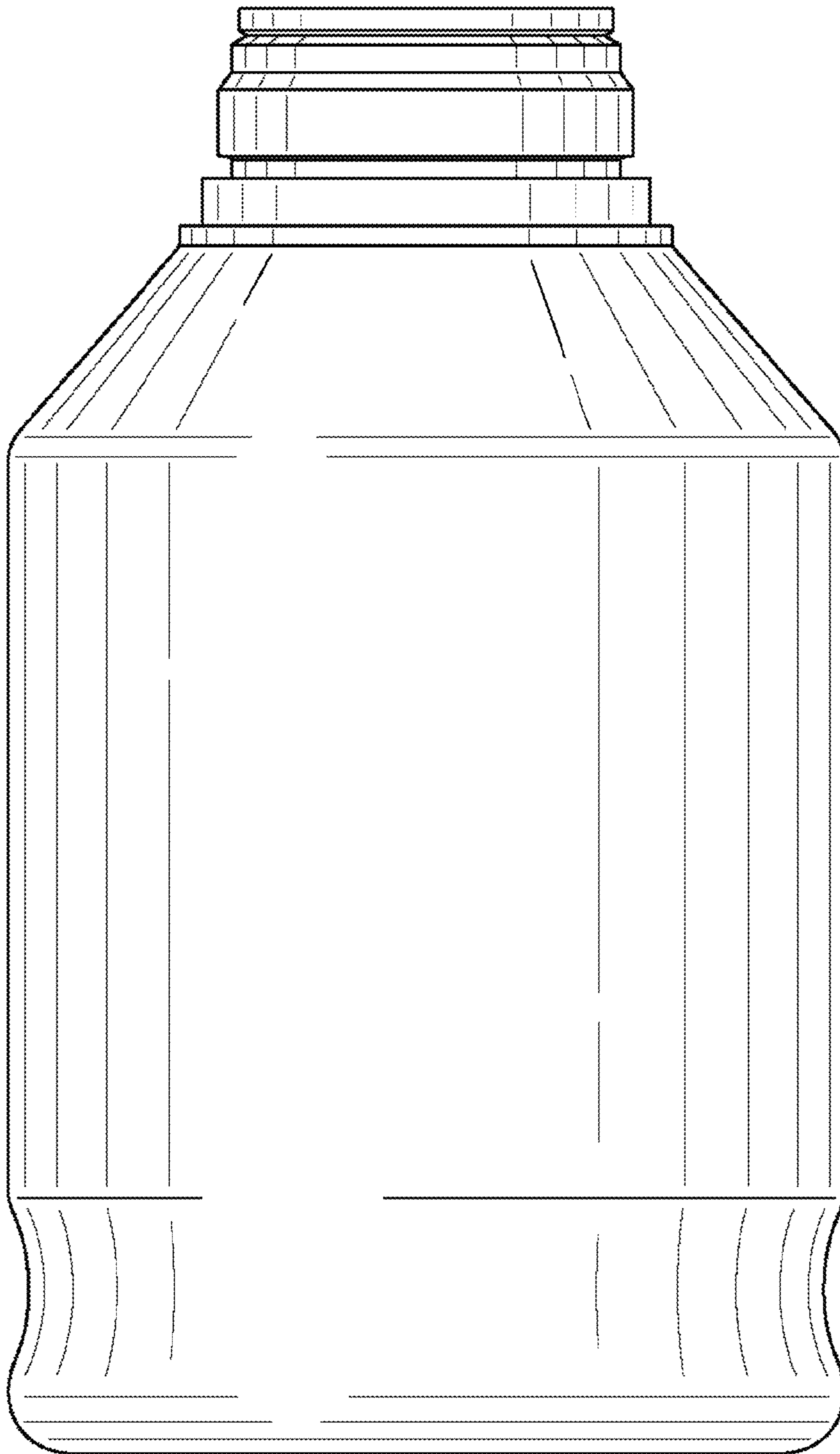


FIG. 9



**FIG. 10**





**FIG. 11**

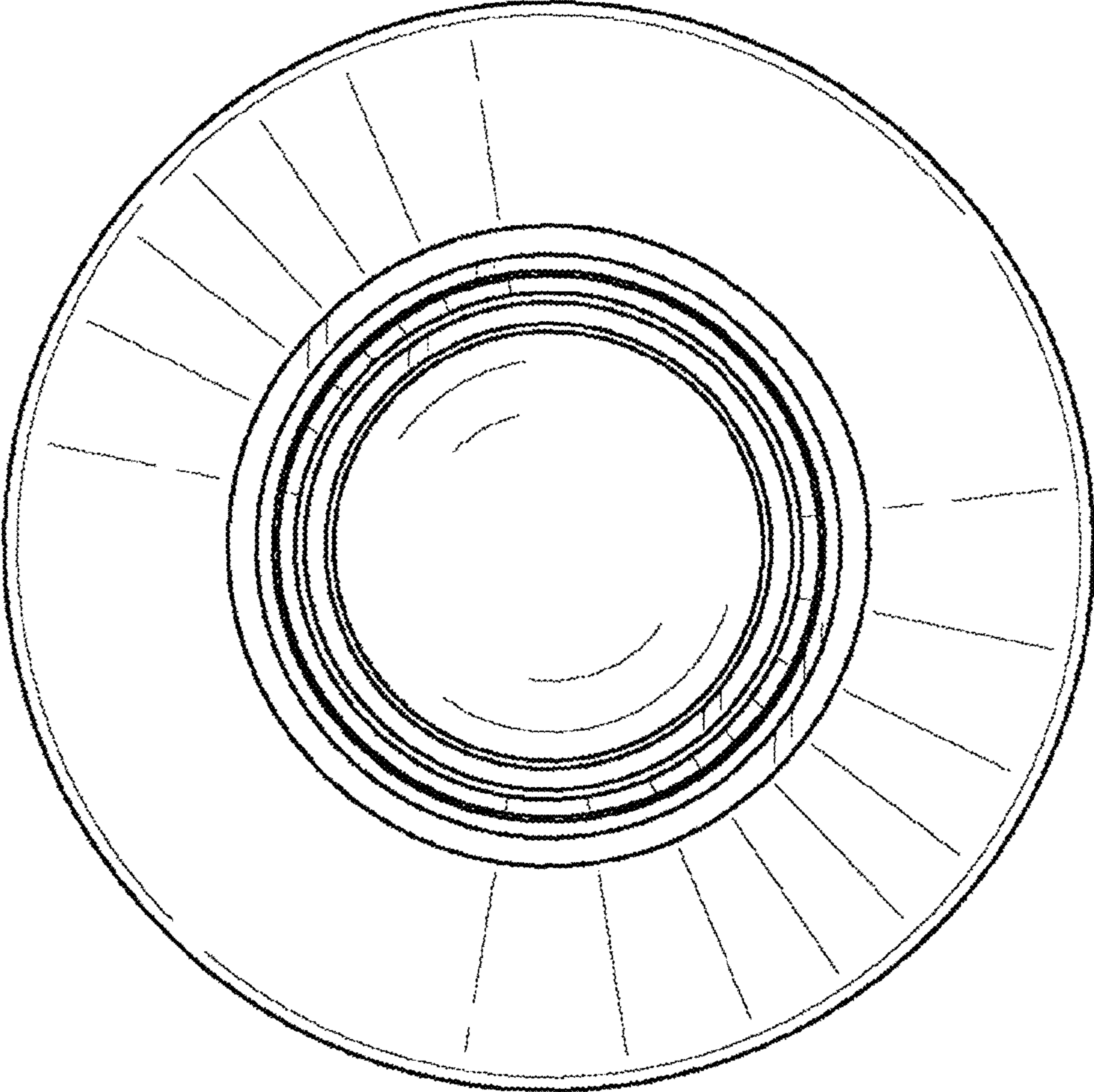
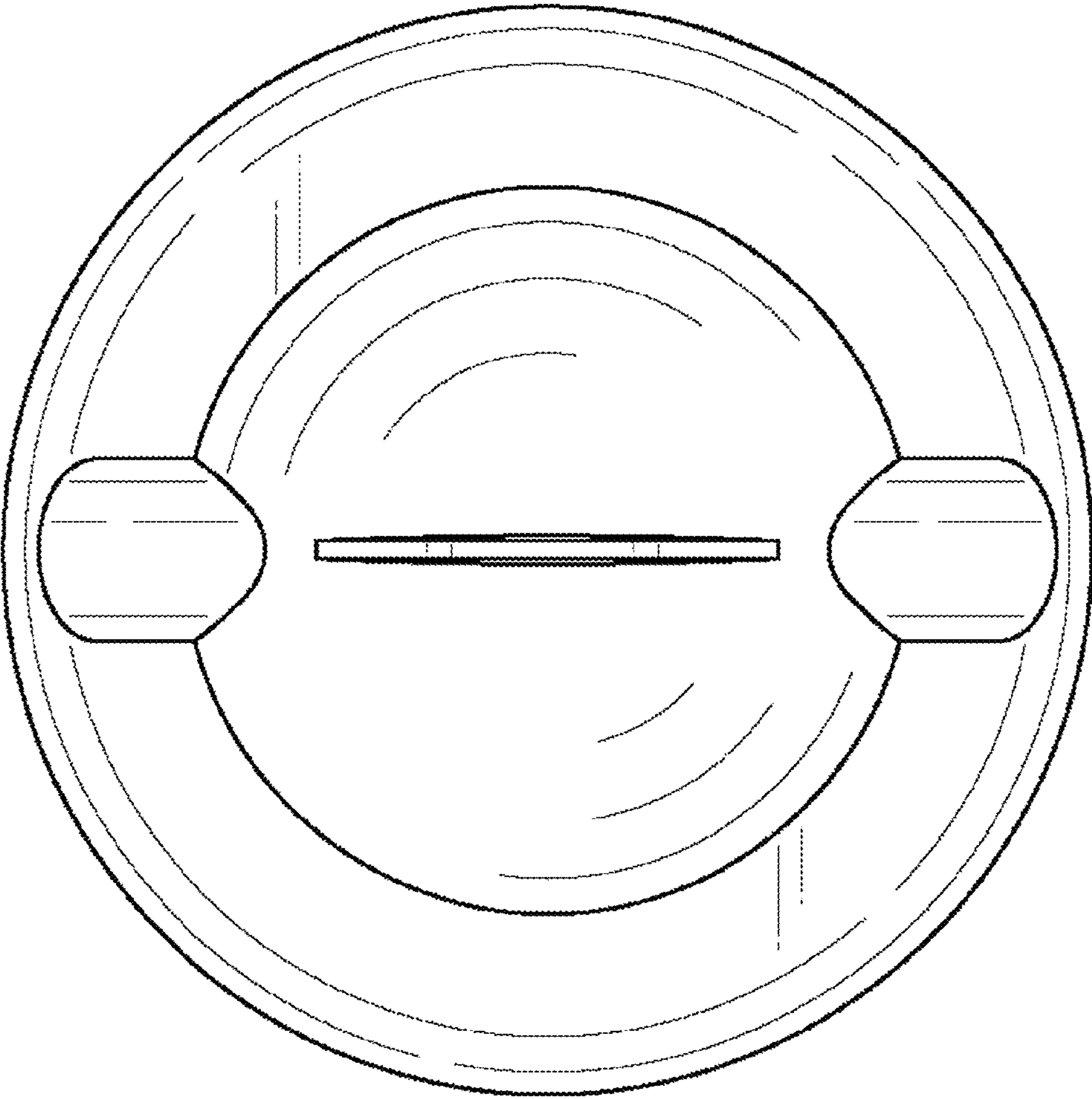




FIG. 12



**FIG. 13**

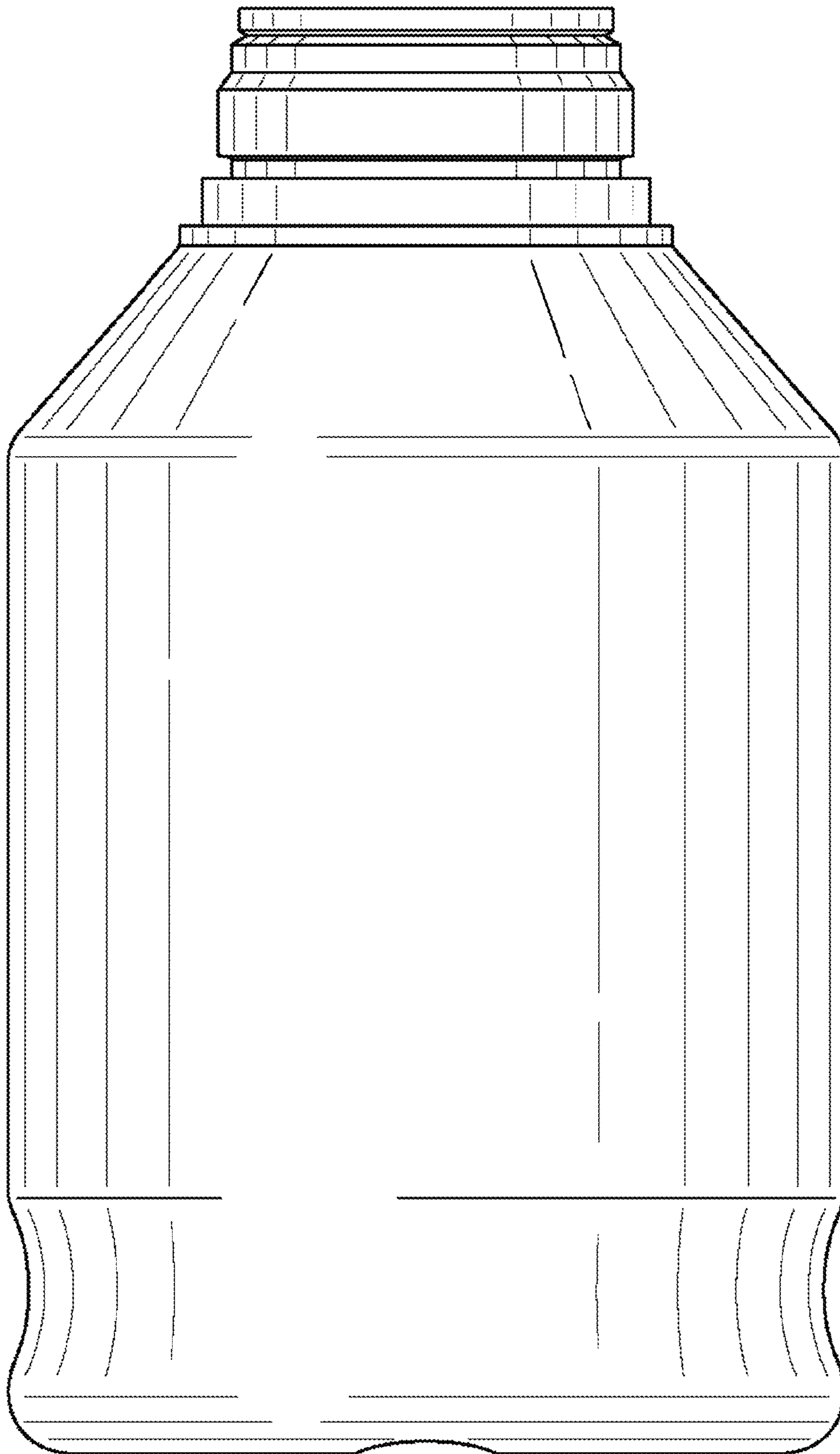


FIG. 14

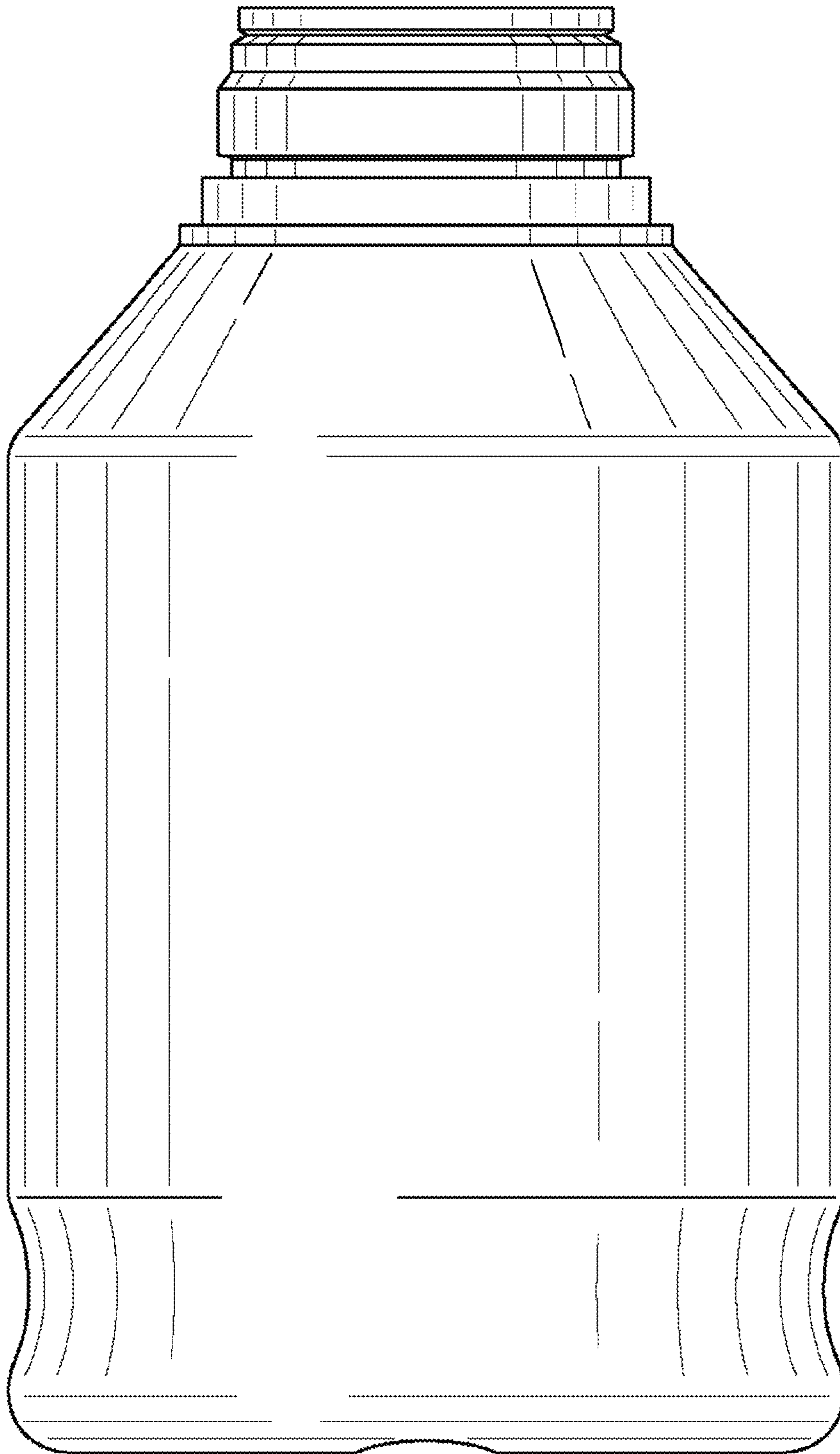


FIG. 15

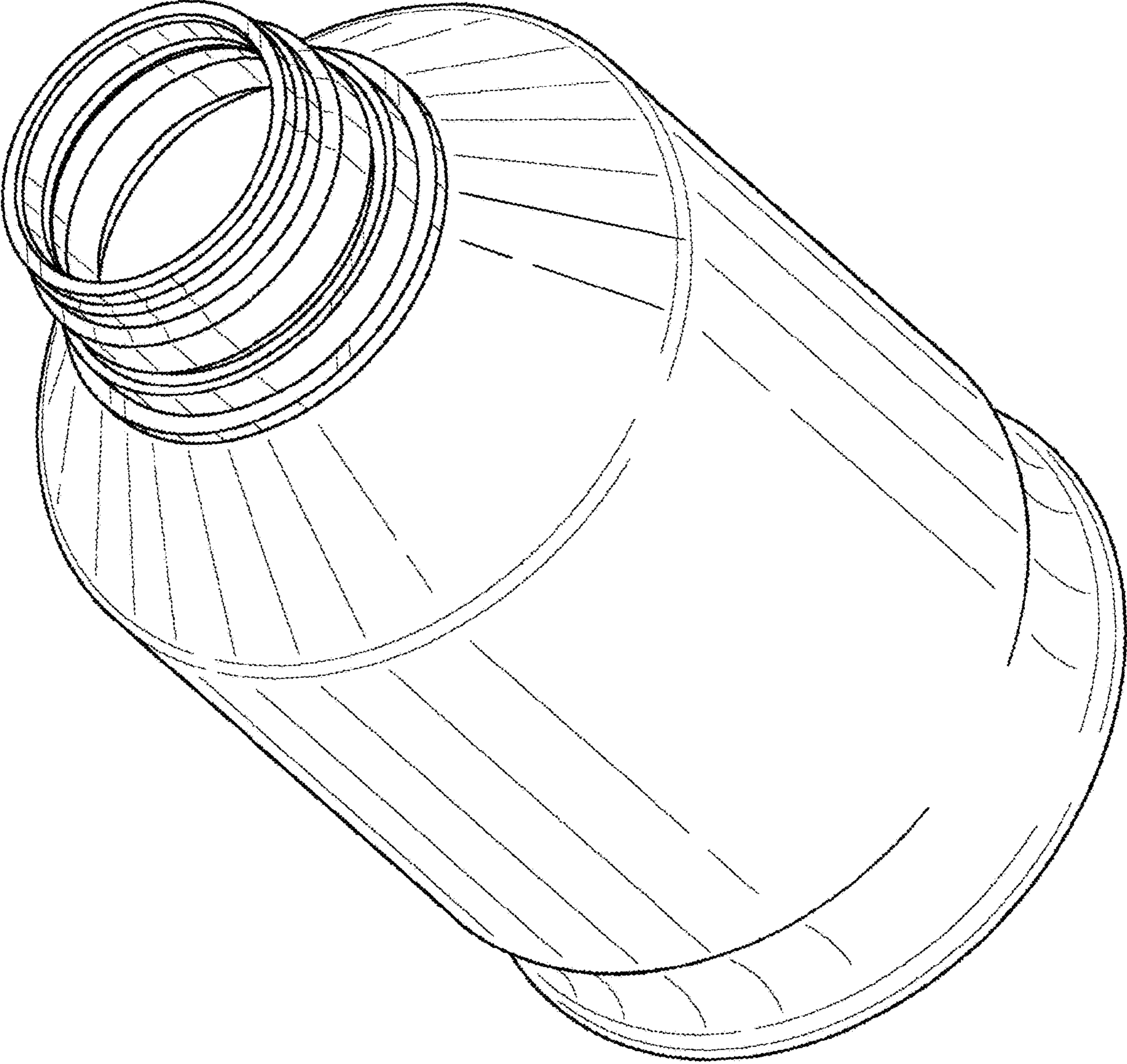




FIG. 16

