



US00D982072S

(12) **United States Design Patent** (10) **Patent No.:** **US D982,072 S**
Xu (45) **Date of Patent:** **** Mar. 28, 2023**

(54) **LABEL PRINTER**

FOREIGN PATENT DOCUMENTS

(71) Applicant: **Xiamen iPrt Technology Co., Ltd.**,
Fujian (CN)

CN 301924624 * 5/2012
CN 306190623 * 11/2020

(Continued)

(72) Inventor: **Shuangquan Xu**, Fujian (CN)

(73) Assignee: **Xiamen iPrt Technology Co., Ltd.**,
Fujian (CN)

OTHER PUBLICATIONS

Amazon. Link: <https://www.amazon.com/dp/B09D31S63H/>. Jan. 7,
2022. iDPRT Bluetooth Thermal Label Printer. (Year: 2022).*

(**) Term: **15 Years**

(Continued)

(21) Appl. No.: **29/802,389**

Primary Examiner — Lauren D McVey

(22) Filed: **Aug. 4, 2021**

(74) *Attorney, Agent, or Firm* — ScienBiziP, P.C.

(51) **LOC (14) Cl.** **18-99**

(52) **U.S. Cl.**
USPC **D18/19**

(58) **Field of Classification Search**
USPC D18/12, 14-19, 36-41, 45, 50, 53-56;
D19/65, 66, 67, 68, 69, 70, 71; D14/301,
D14/307, 121

CPC H04N 1/00204; H04N 1/00249; H04N
1/00278; G06K 15/12; G06K 15/14; B41J
3/00; B41J 3/46; B41J 2/3358; B41J
3/382; B41J 3/445; B41J 3/28; B41J
11/0045; B41J 3/36

See application file for complete search history.

(57) **CLAIM**

The ornamental design for a label printer, as shown and
described.

DESCRIPTION

FIG. 1 is a front, right, and top perspective view of a label
printer, showing my design.
FIG. 2 is a rear, left, and bottom perspective view thereof.
FIG. 3 is a front, left, and bottom perspective view thereof
FIG. 4 is a front elevation view thereof.
FIG. 5 is a rear elevation view thereof.
FIG. 6 is a left side elevation view thereof.
FIG. 7 is a right side elevation view thereof.
FIG. 8 is a top plan view thereof.
FIG. 9 is a bottom plan view thereof; and,
FIG. 10 is a partial enlarged view of an area labeled 10 in
FIG. 1.

The evenly spaced broken lines depict portions of the label
printer that form no part of the claimed design. The dot-dash
broken lines indicating an enlargement portion of the design
forms no part of the claimed design.

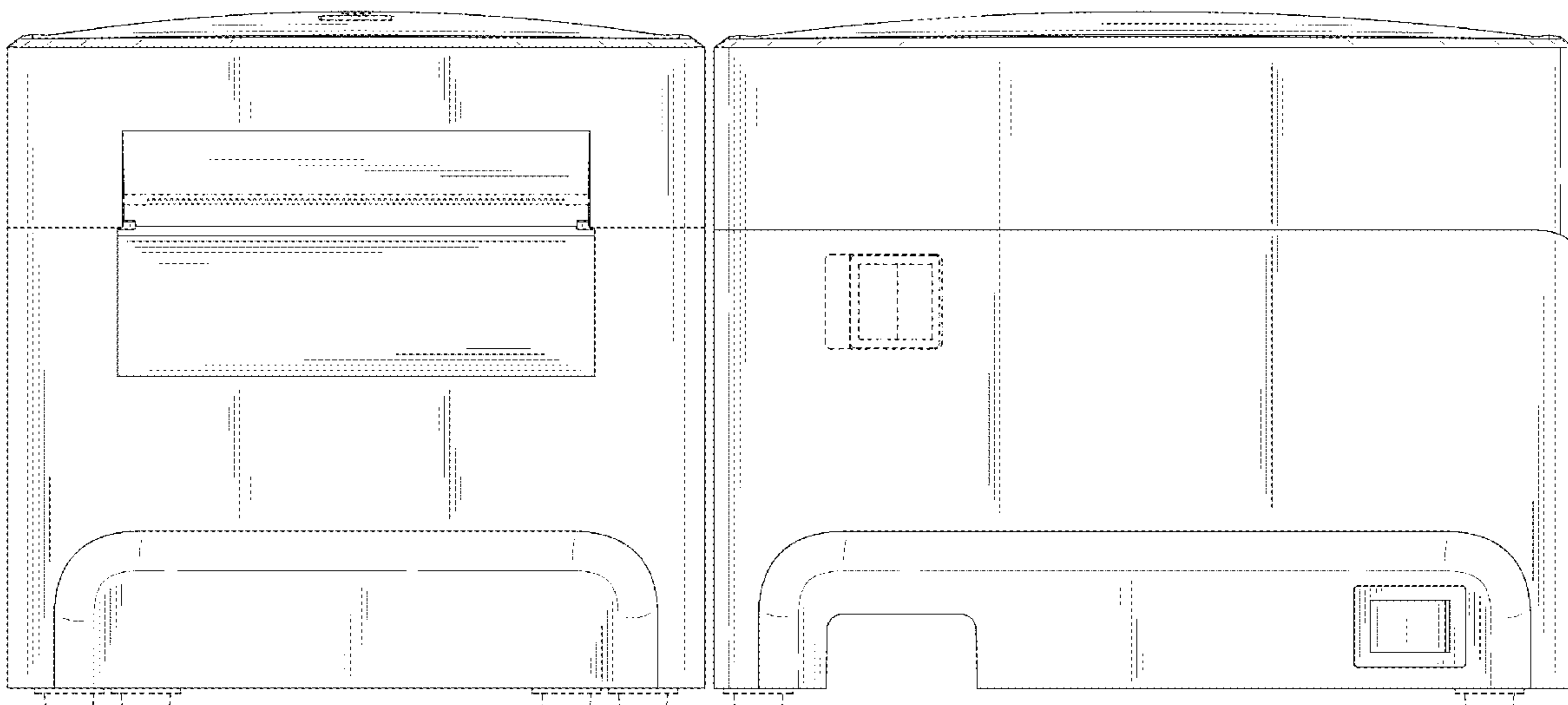
(56) **References Cited**

U.S. PATENT DOCUMENTS

4,893,137 A * 1/1990 Ebinuma G03G 21/1647
347/3
D641,394 S * 7/2011 Inada D18/50
D682,927 S * 5/2013 Azegami D18/50
D761,903 S * 7/2016 Matsumoto D18/50
D785,084 S * 4/2017 Azegami D18/50
D786,341 S * 5/2017 Iwai D18/50
D892,919 S * 8/2020 Nakatani D18/50
D892,924 S * 8/2020 Tobita D18/50
D893,588 S * 8/2020 Kurebayashi D18/50
D894,264 S * 8/2020 Sarro D18/19

(Continued)

1 Claim, 10 Drawing Sheets



(56)

References Cited

U.S. PATENT DOCUMENTS

D900,213 S 10/2020 Ozawa et al.
D907,697 S 1/2021 Tashima
D942,535 S * 2/2022 Wang D18/50
D952,034 S * 5/2022 Takahashi D18/53
2018/0056686 A1* 3/2018 Zeleny B41J 29/393

FOREIGN PATENT DOCUMENTS

CN 306613165 * 6/2021
CN 113459679 A * 10/2021 B41J 29/00
CN 307763685 * 12/2022
JP 5621620 B2 * 11/2014 B41J 3/36
KR 102451389 B1 * 10/2022 B41J 3/4073

OTHER PUBLICATIONS

Amazon. Link: <https://www.amazon.com/Rongta-Commercial-Printing-Etherent-RP332/dp/B096RCQJ6P/>. Jul. 11, 2021. Rongta POS Printer. (Year: 2021).*

Amazon. Link: <https://www.amazon.com/dp/B07QF236JV/>. Aug. 30, 2017. Munbyn 80mm USB Receipt Printer. (Year: 2017).*

Amazon. Link: <https://www.amazon.com/POLONO-PL330-Auto-Cutter-Compatible-Ethernet/dp/B0B5YZFSM3/>. Feb. 22, 2022. Polono Receipt Printer. (Year: 2022).*

* cited by examiner

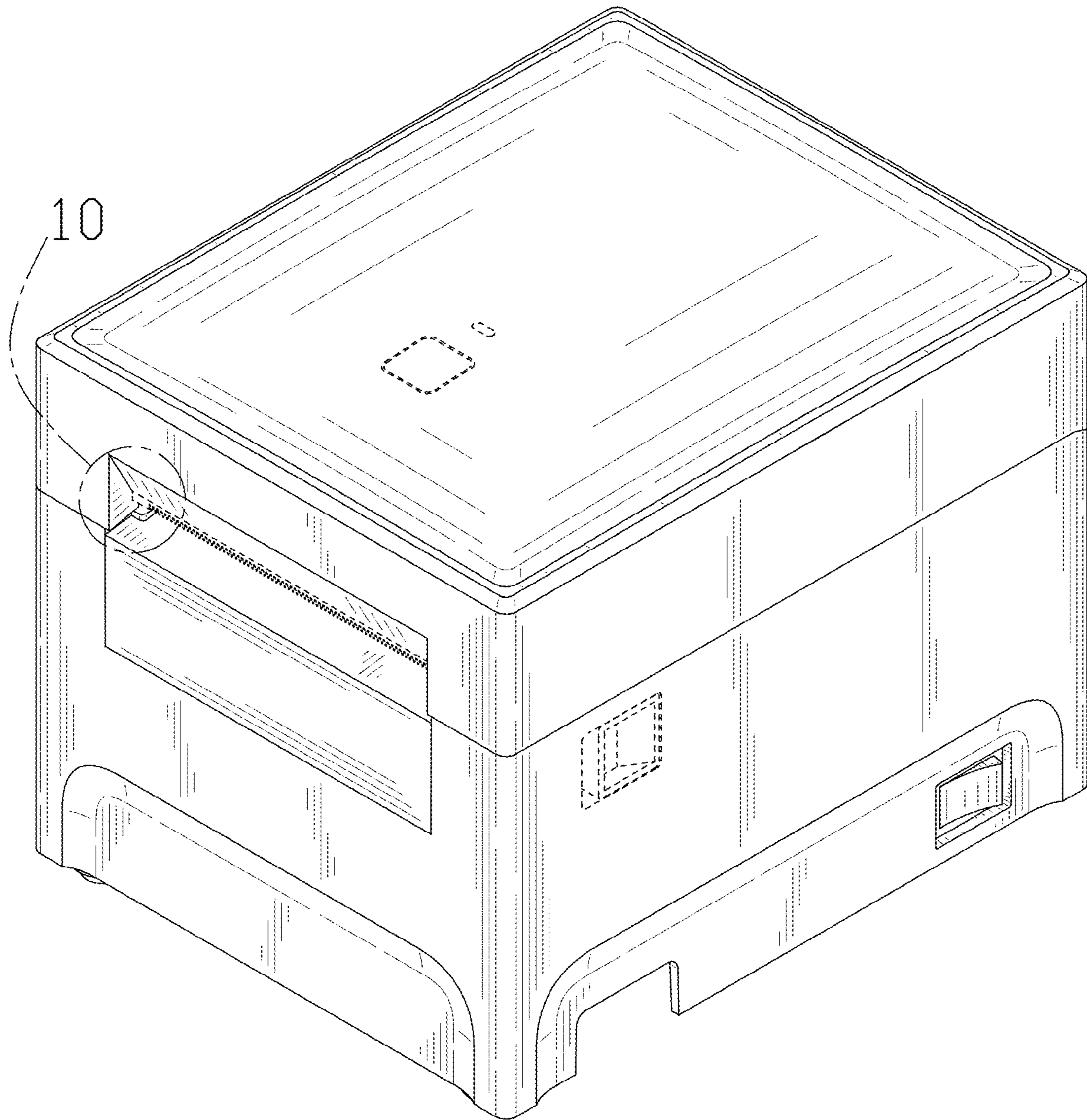


FIG. 1

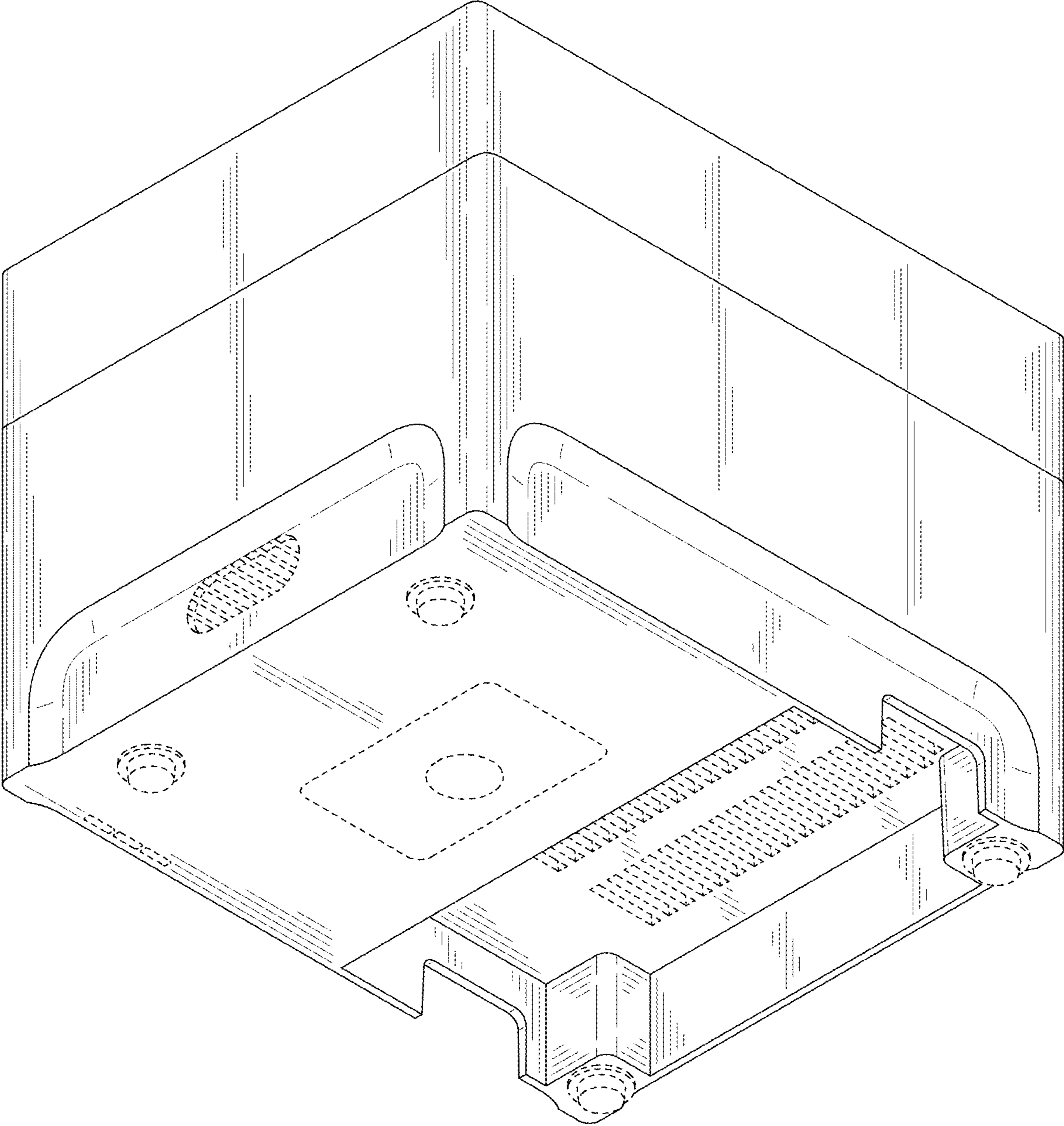


FIG. 2

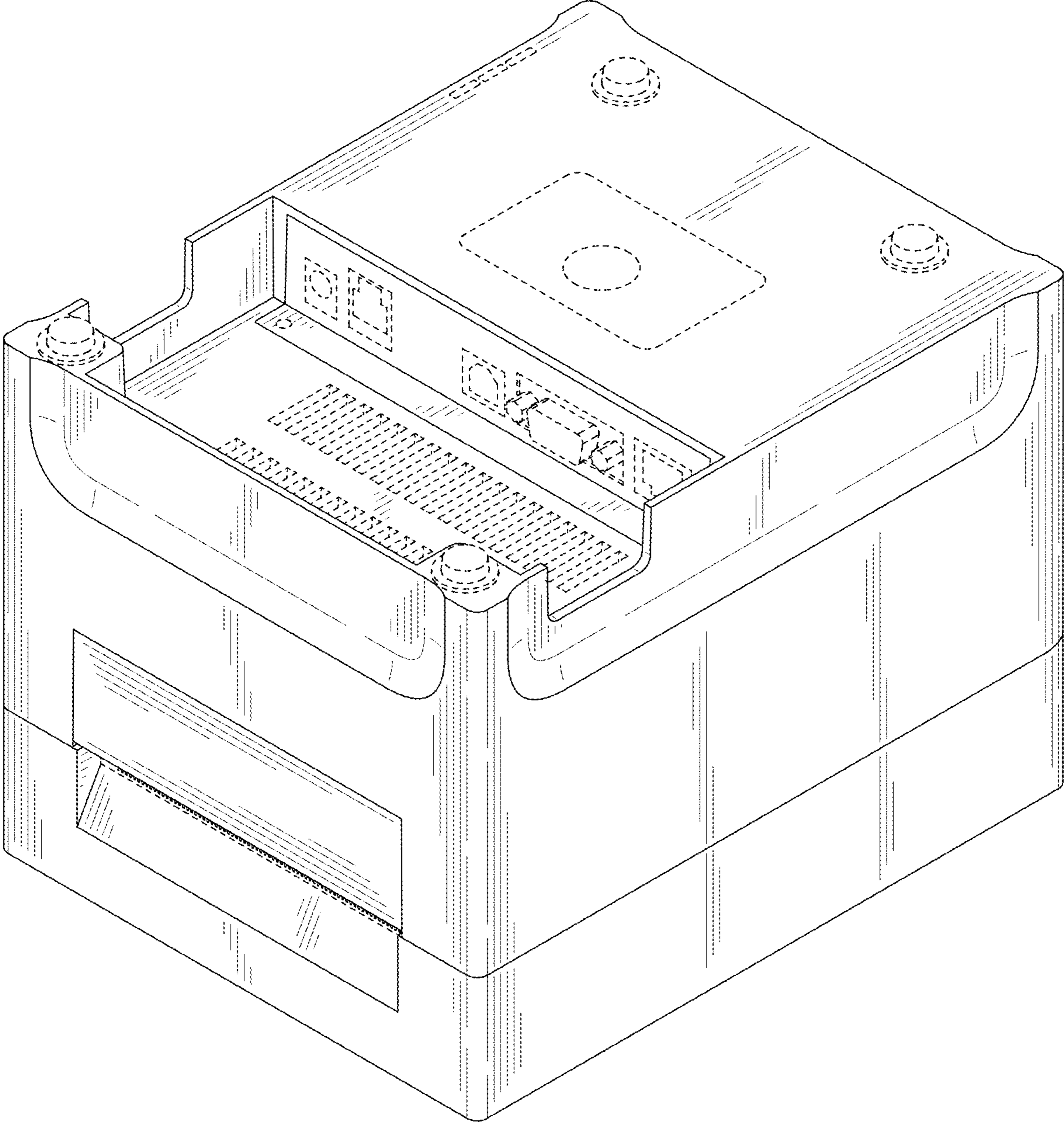


FIG. 3

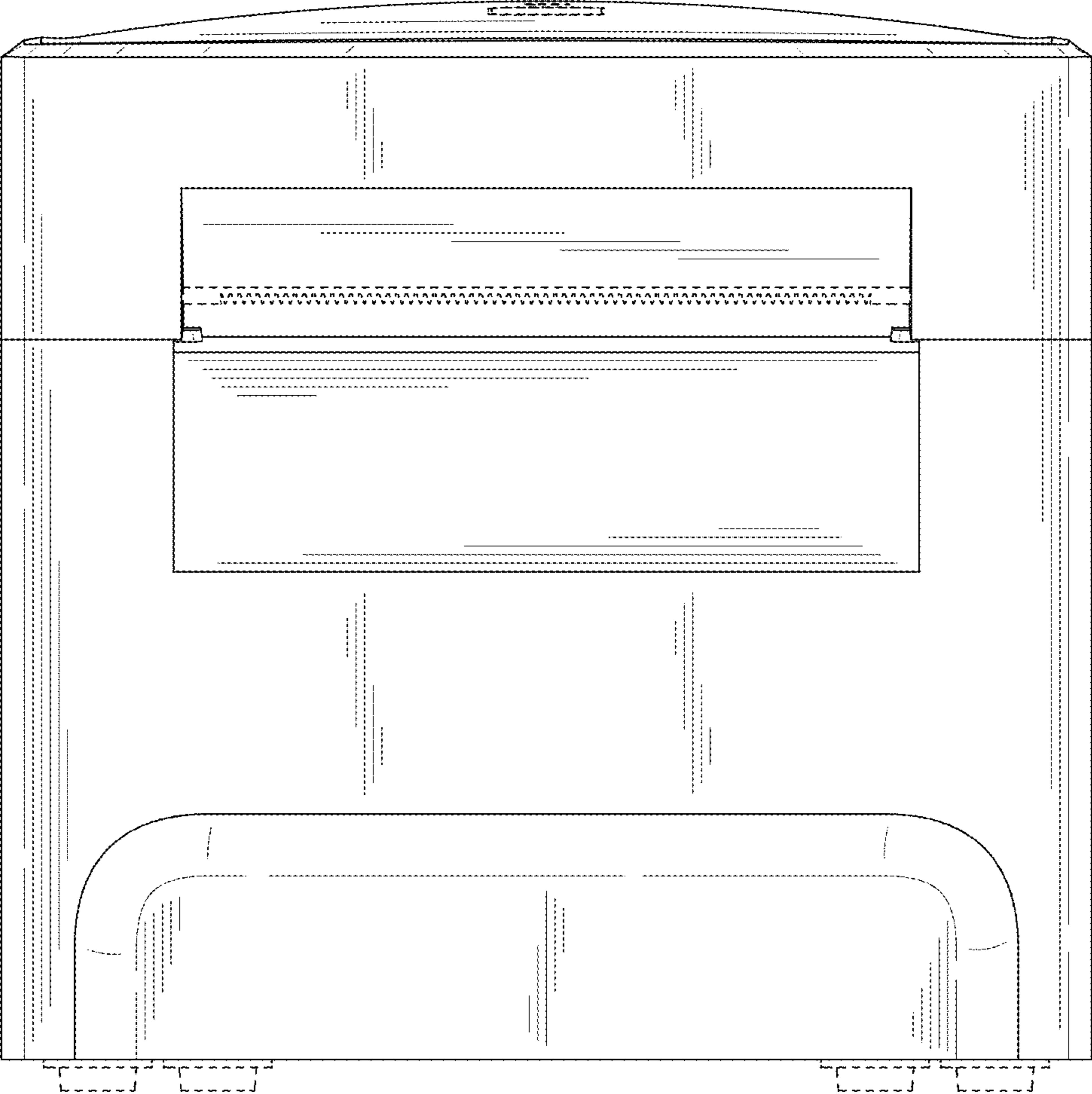


FIG. 4

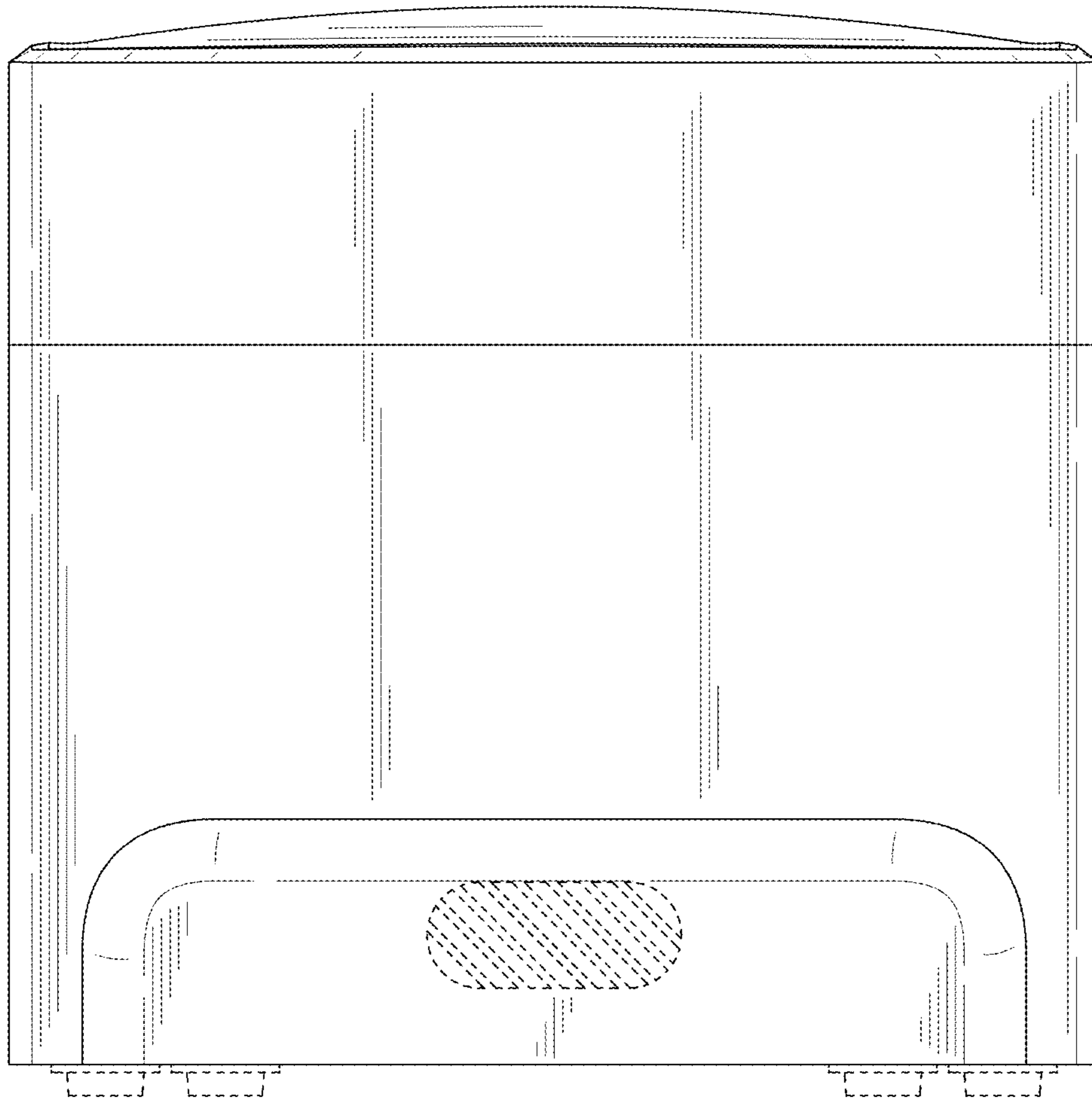


FIG. 5

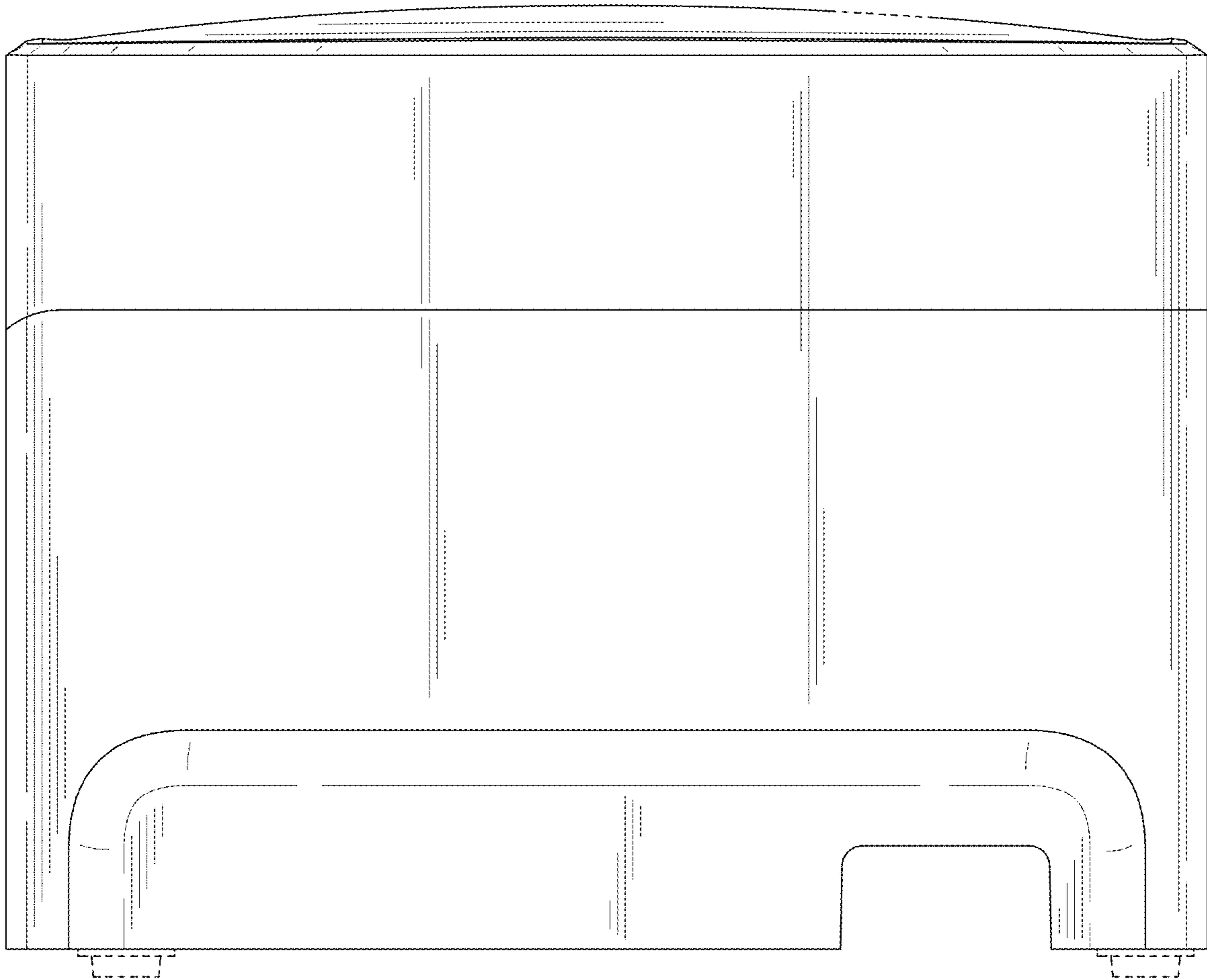


FIG. 6

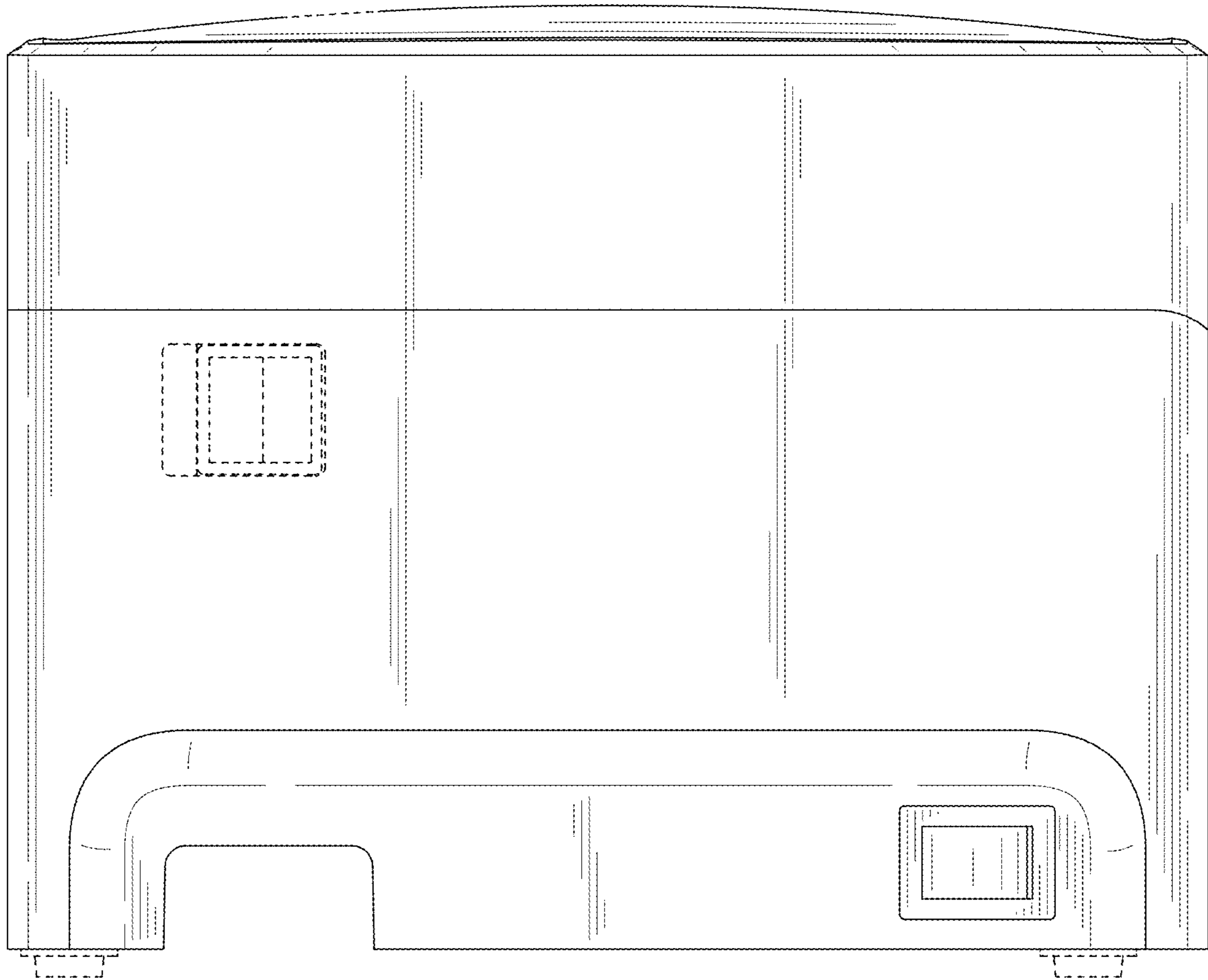


FIG. 7

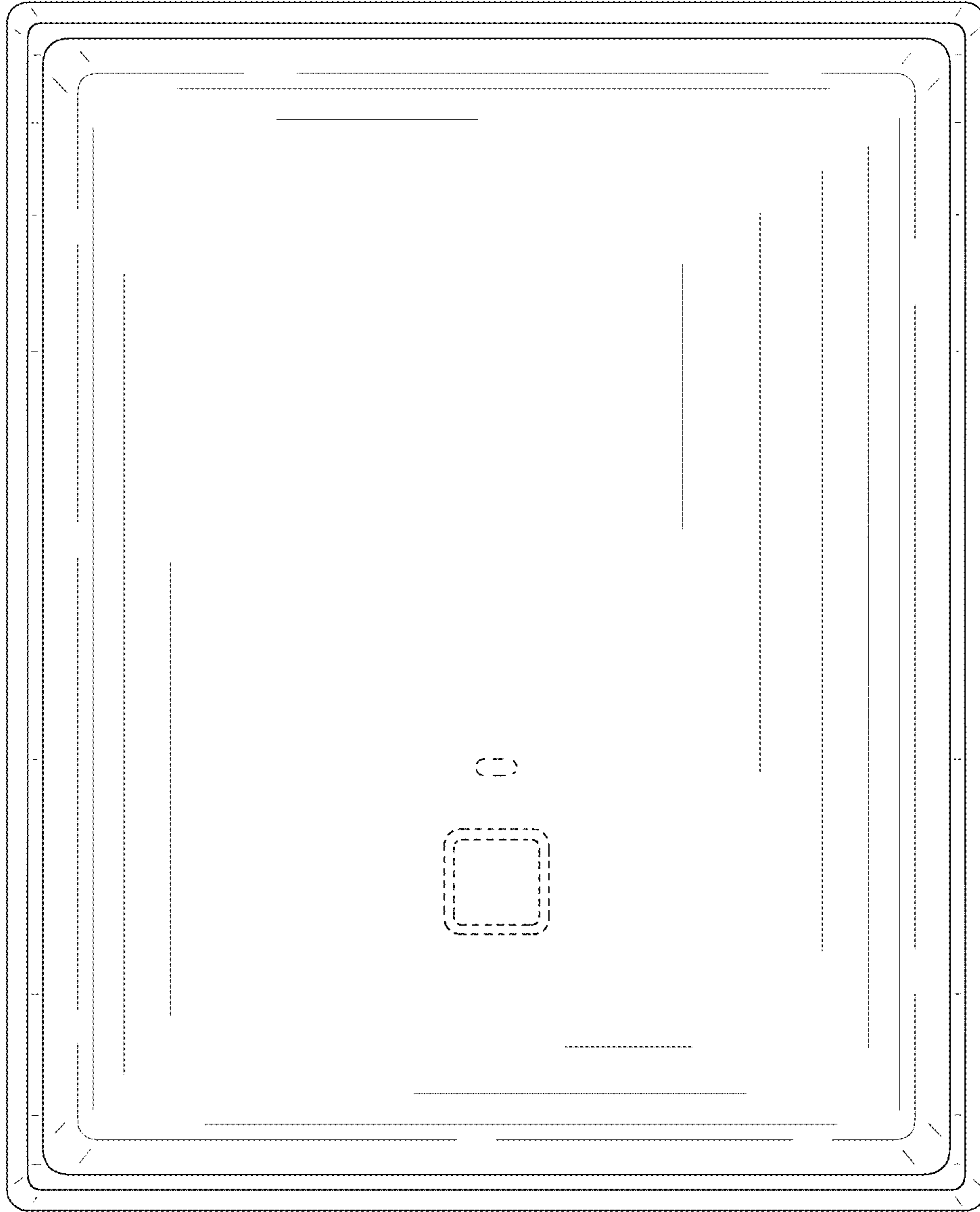


FIG. 8

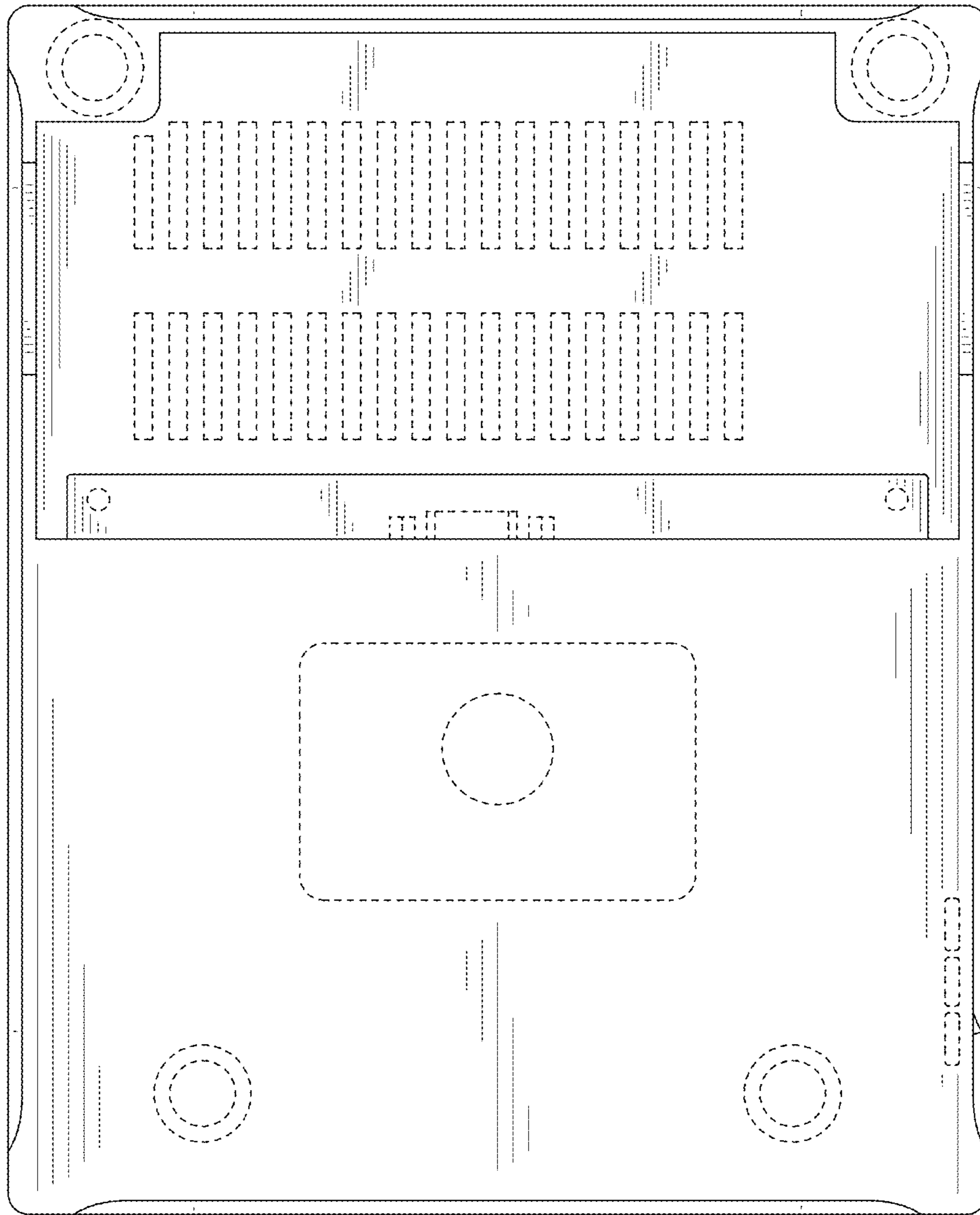


FIG. 9

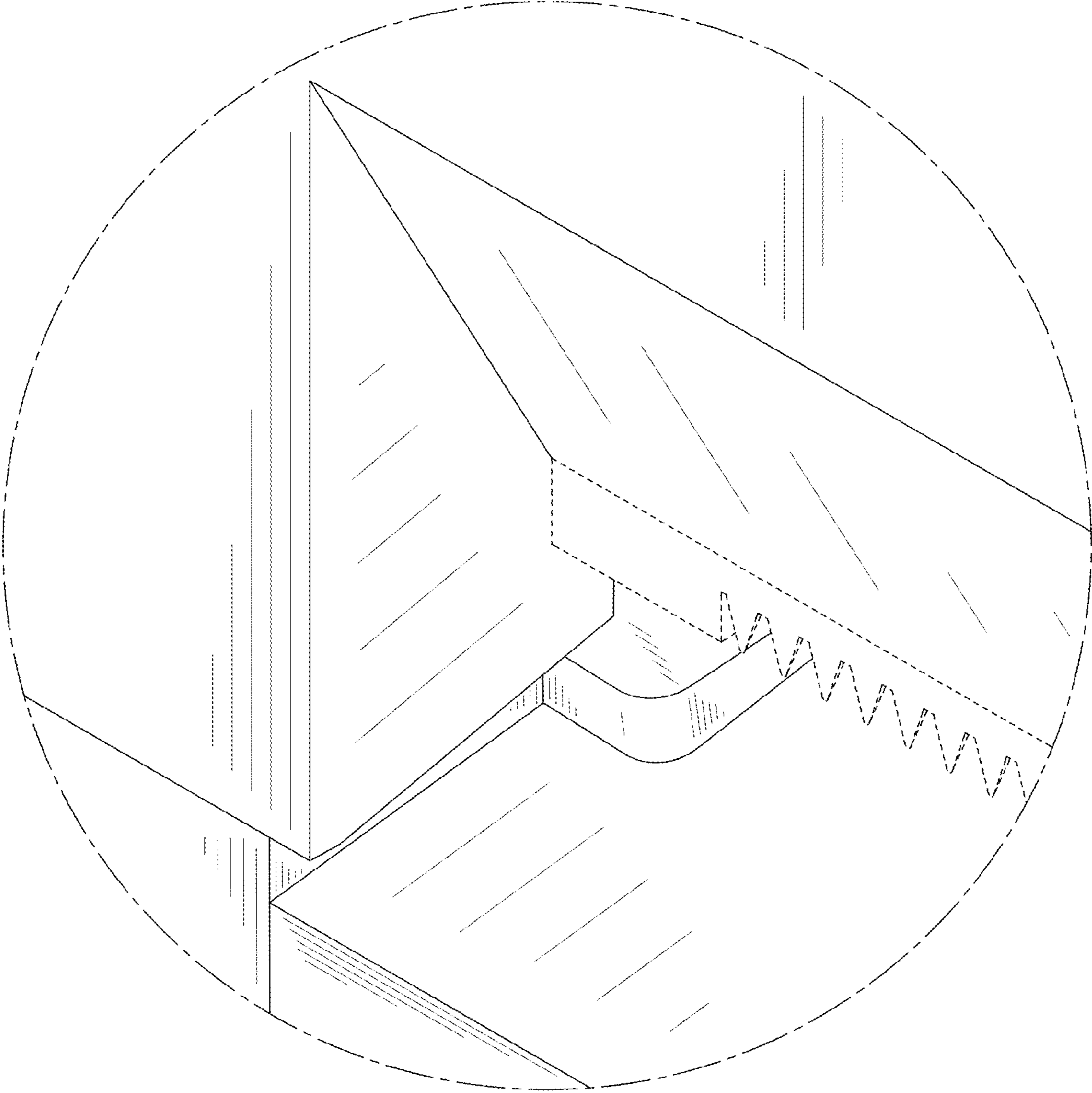


FIG. 10