



US00D982069S

(12) **United States Design Patent**
Arai

(10) **Patent No.:** **US D982,069 S**
(45) **Date of Patent:** **** Mar. 28, 2023**

(54) **FRONT FRAME FOR EYEGLASSES**

(71) Applicant: **JINS HOLDINGS Inc.**, Maebashi (JP)

(72) Inventor: **Naoto Arai**, Maebashi (JP)

(73) Assignee: **JINS HOLDINGS Inc.**, Maebashi (JP)

(**) Term: **15 Years**

(21) Appl. No.: **29/652,175**

(22) Filed: **Jun. 2, 2020**

(30) **Foreign Application Priority Data**

Dec. 12, 2019 (JP) 2019-027598

(51) **LOC (14) Cl.** **16-06**

(52) **U.S. Cl.**
USPC **D16/334**

(58) **Field of Classification Search**
USPC D8/306, 323, 343, 352, 382; D14/372;
D16/100, 101, 300-342; D21/658-661;
D24/110.2; D29/104-110

(Continued)

(56) **References Cited**

U.S. PATENT DOCUMENTS

D45,630 S * 4/1914 Hamilton D16/334
D51,775 S * 2/1918 Wells D16/334

(Continued)

FOREIGN PATENT DOCUMENTS

JP 1611976 8/2018
JP D1671258 * 10/2020

(Continued)

OTHER PUBLICATIONS

Uxcell Stainless Steel Shelves Corner Brace, product availability
Jul. 4, 2018 [online], no video/pictured review [online], [site visited

Oct. 27, 2022]:URL:<https://www.amazon.com/gp/product/B07DQTT95C/ref=sw_img_1?smid=A1THAZDOWP300U&psc=1> (Year: 2018).*

(Continued)

Primary Examiner — Bao-Yen T Nguyen

Assistant Examiner — Loryn K. LeBlanc

(74) *Attorney, Agent, or Firm* — Leydig, Voit & Mayer, Ltd.

(57) **CLAIM**

The ornamental design for a front frame for eyeglasses, as shown and described.

DESCRIPTION

FIG. 1 is a perspective view of a front frame for eyeglasses showing my new design;

FIG. 2 is another perspective view thereof;

FIG. 3 is a front view thereof;

FIG. 4 is a rear view thereof;

FIG. 5 is a top plan view thereof;

FIG. 6 is a bottom view thereof;

FIG. 7 is a right side view thereof;

FIG. 8 is a left side view thereof;

FIG. 9 is an enlarged view defined by the lines 9-9 and 901-901 of FIG. 1;

FIG. 10 is an enlarged view defined by the lines 10-10 and 1001-1001 of FIG. 2;

FIG. 11 is an enlarged sectional view taken along the lines 11-11 of FIG. 3 defined by the lines 1101-1101 and 1102-1102 of FIG. 3; and,

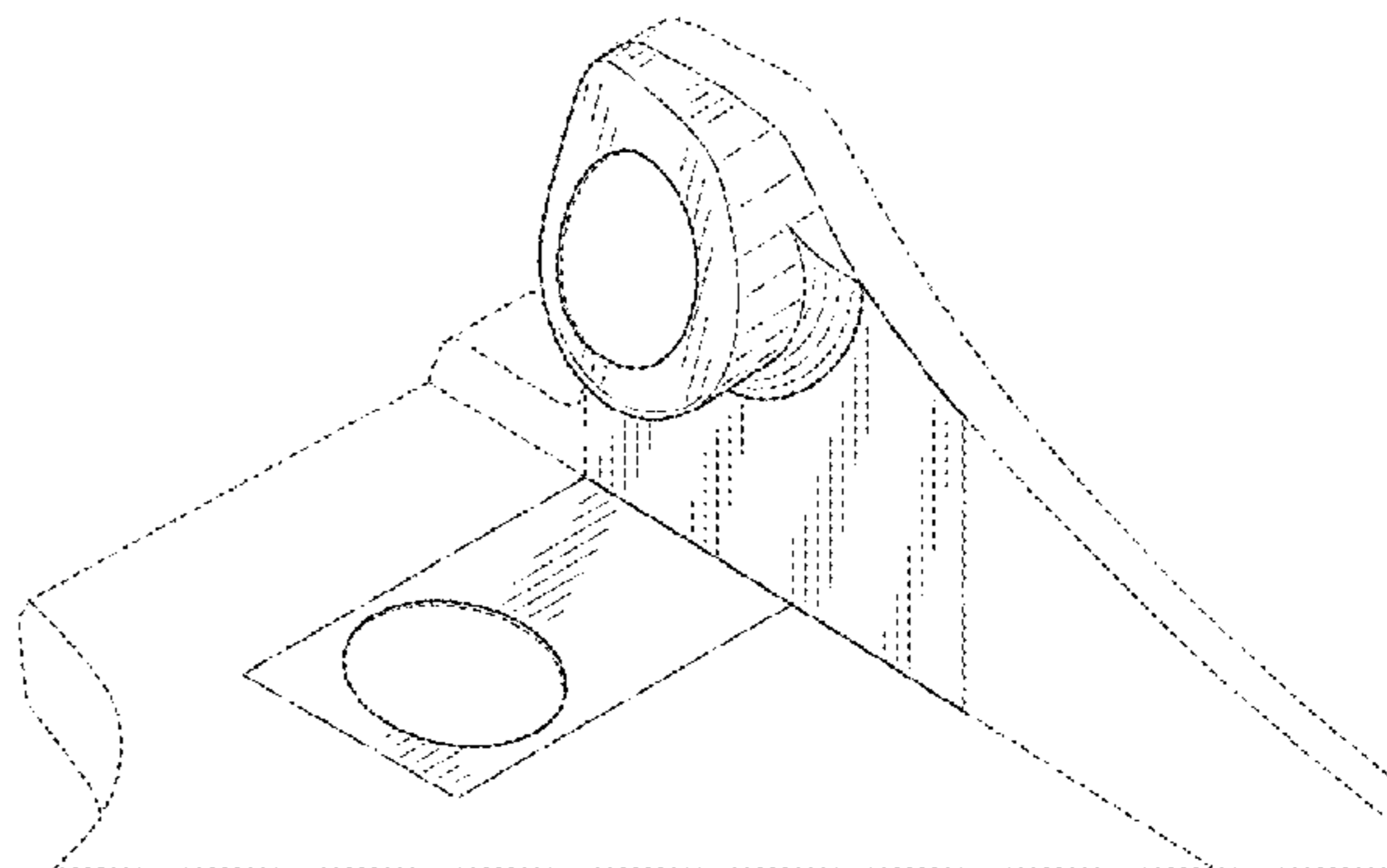
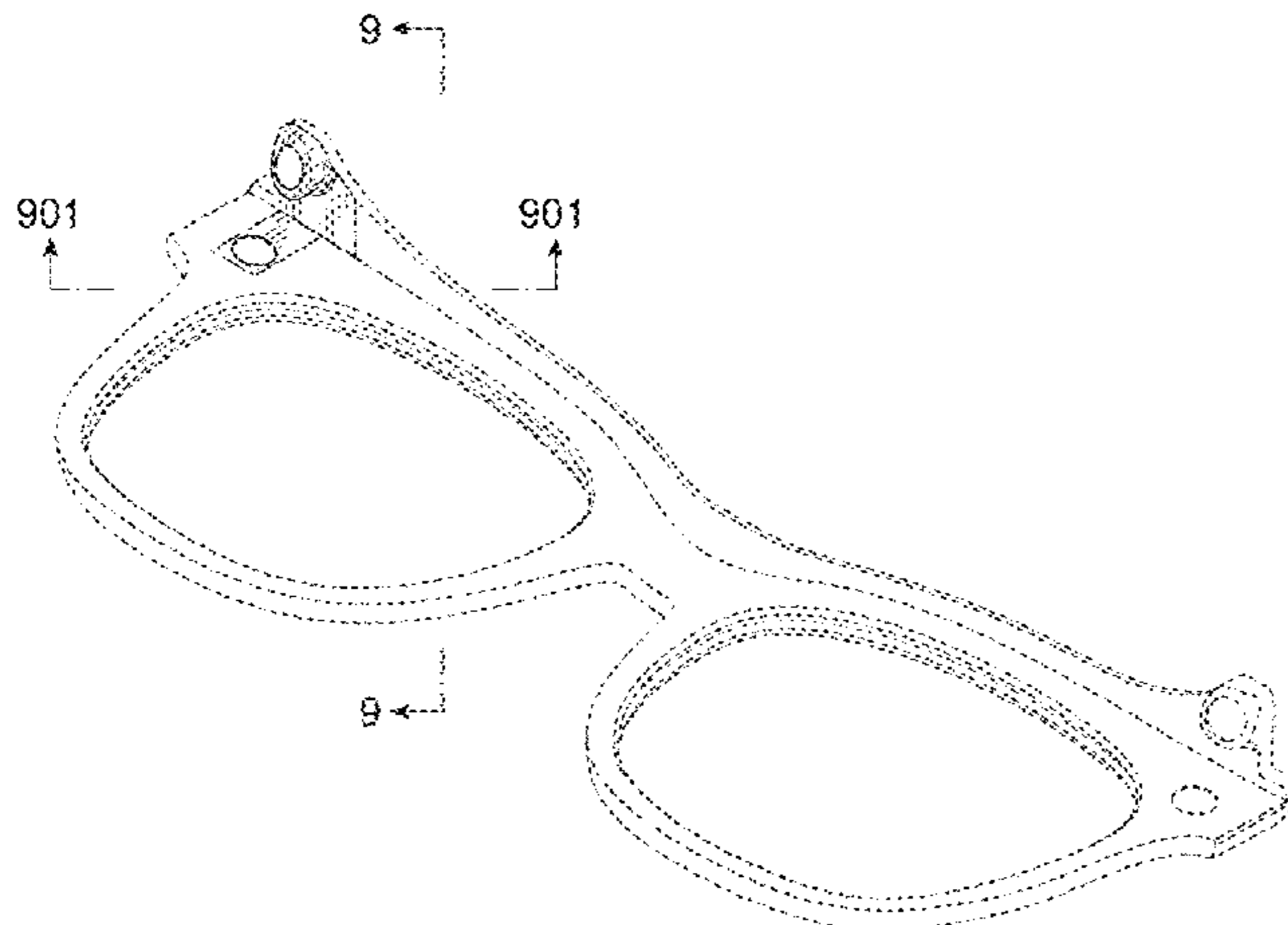
FIG. 12 is a perspective view of a front frame for eyeglasses shown in a state of use.

The broken lines in the drawings depict portions of the front frame for eyeglasses that form no part of the claimed design.

The dash dot dash broken lines are for the purposes of disclosing boundaries of the claim that form no part of the claimed design. The additional broken lines shown in FIG.

12 are for the purposes of depicting environment and form no part of the claimed design.

1 Claim, 12 Drawing Sheets



(58) **Field of Classification Search**

CPC ... G02C 7/02; G02C 1/10; G02C 3/00; G02C 5/124; G02C 7/022; G02C 1/00; G02C 1/02; G02C 1/023; G02C 5/00; G02C 5/001; G02C 5/02; G02C 5/04; G02C 5/10; G02C 5/12; G02C 5/146; G02C 5/22; G02C 7/061; G02C 7/063; G02C 7/10; G02C 2200/02; G02C 2200/04; G02C 2200/06; G02C 2200/08; G02C 2200/18; G02C 2200/20; B29D 11/00; B29D 11/00009; B29D 11/00028; B29D 11/00019; A61F 2009/021; A61F 9/025; A61F 9/045; A61F 9/02; A63B 33/002; A63B 33/004; A63B 33/006; A63B 33/008

See application file for complete search history.

(56) **References Cited**

U.S. PATENT DOCUMENTS

D82,474 S * 11/1930 Baker D16/334

2,282,242 A * 5/1942 Person G02C 5/22 16/228
D374,026 S * 9/1996 Chen D16/330
D664,590 S * 1/2012 Shin
D751,631 S * 3/2016 Montoya D16/334
D823,836 S * 7/2018 Eaton D14/217
D900,921 S * 11/2020 Huang D16/334
D900,922 S * 11/2020 Huang D16/334

FOREIGN PATENT DOCUMENTS

TW M485417 9/2014
TW D187039 12/2017

OTHER PUBLICATIONS

Notice of Allowance, Counterpart Taiwan Application 109303121 dated Dec. 4, 2020.

* cited by examiner

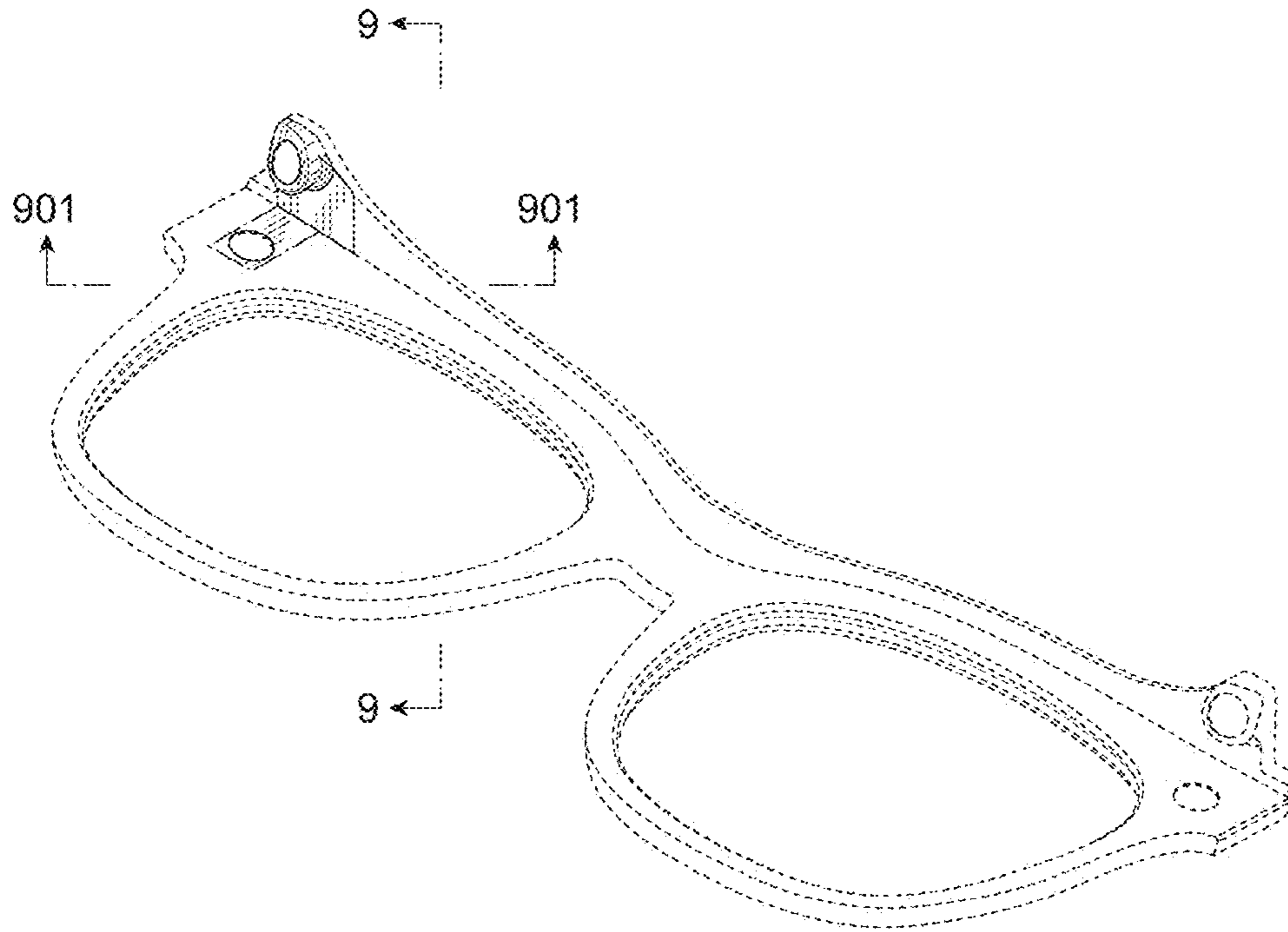


FIG. 1

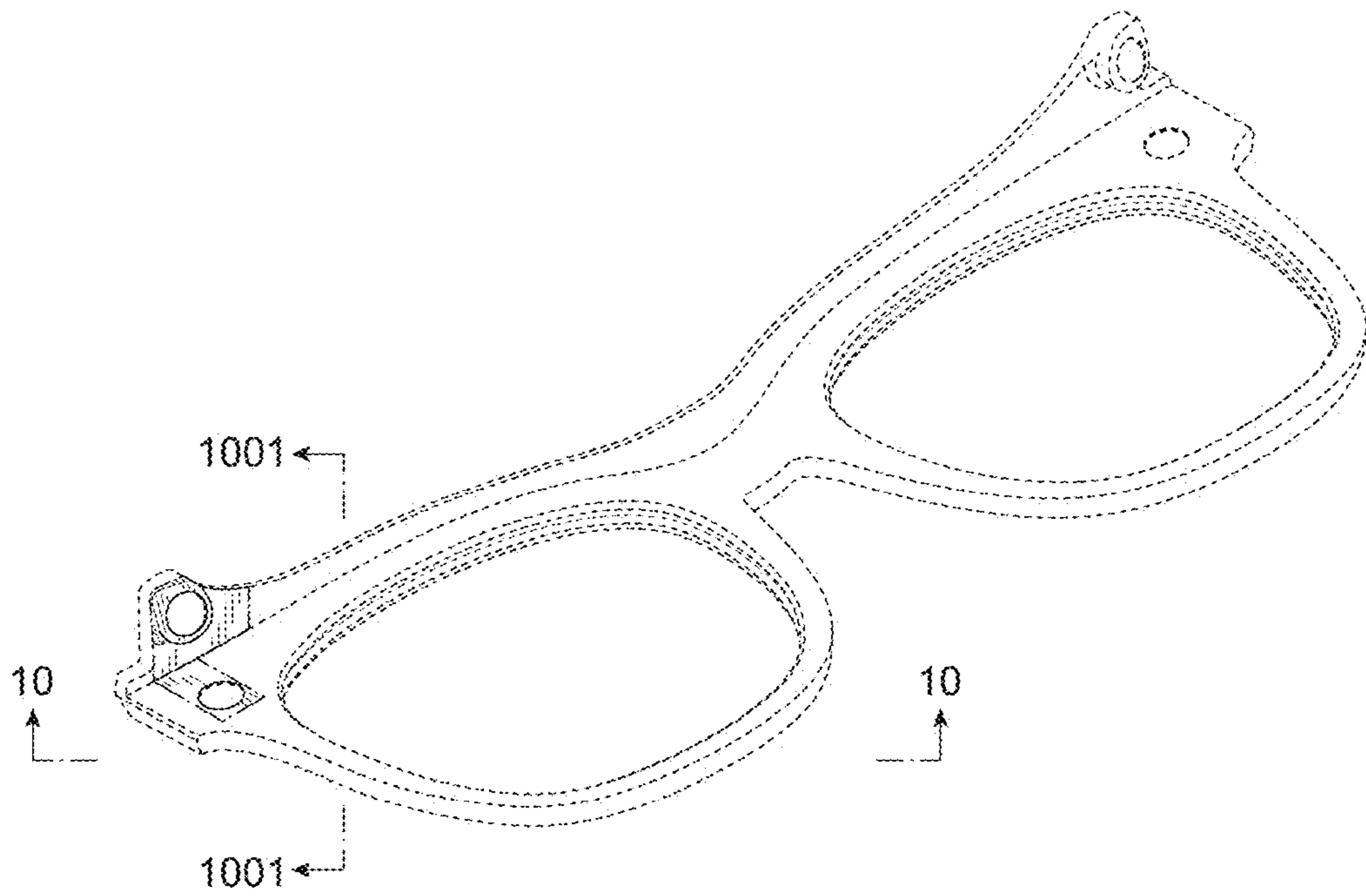


FIG. 2

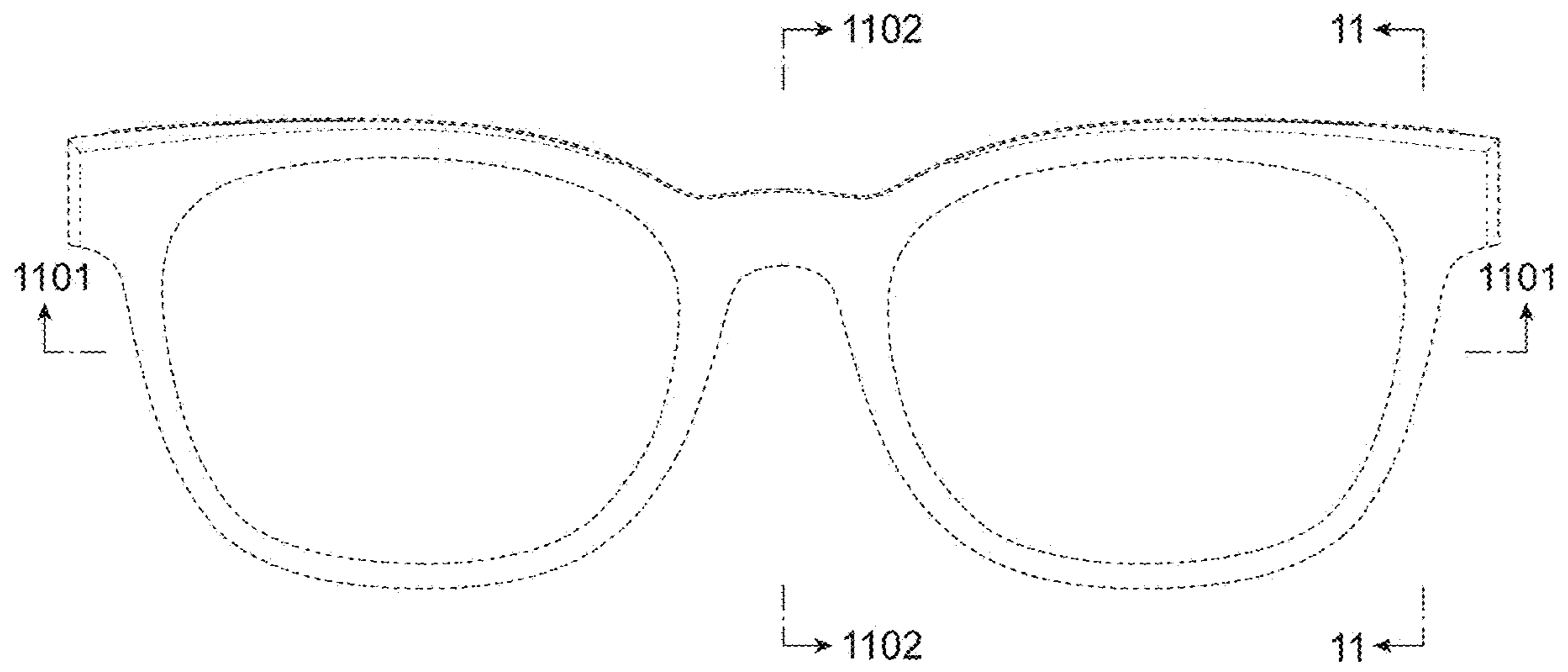


FIG. 3

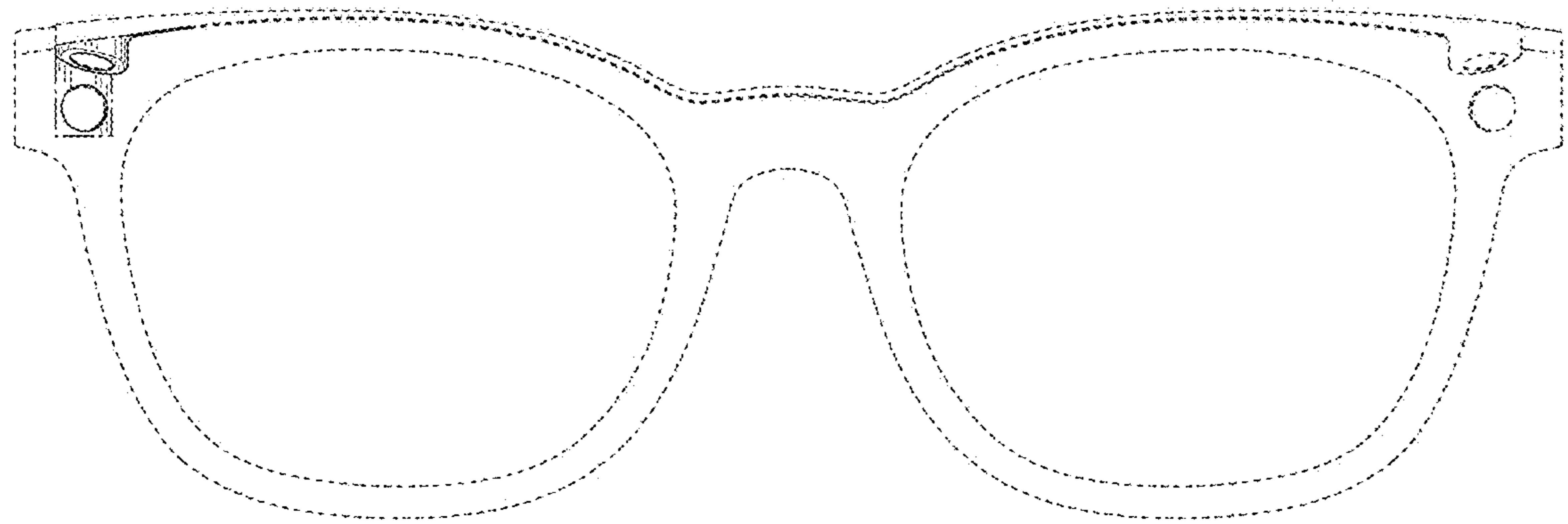


FIG. 4

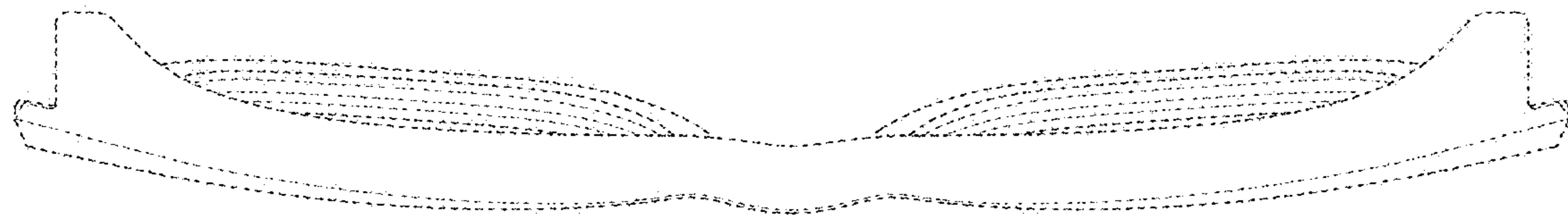


FIG. 5

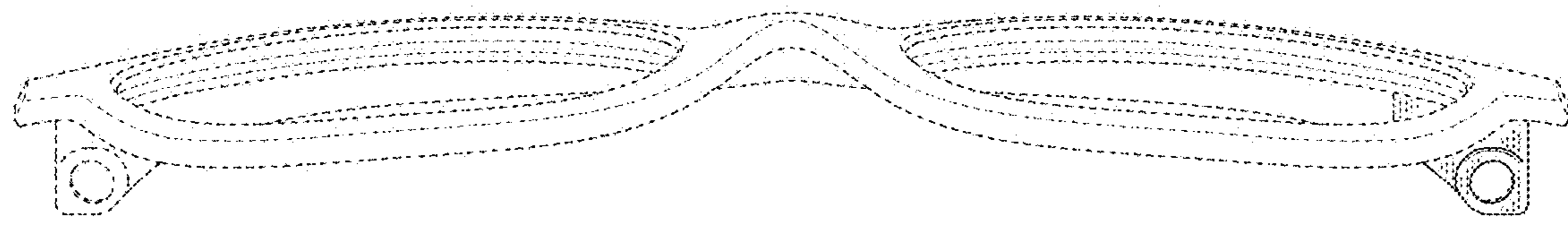


FIG. 6

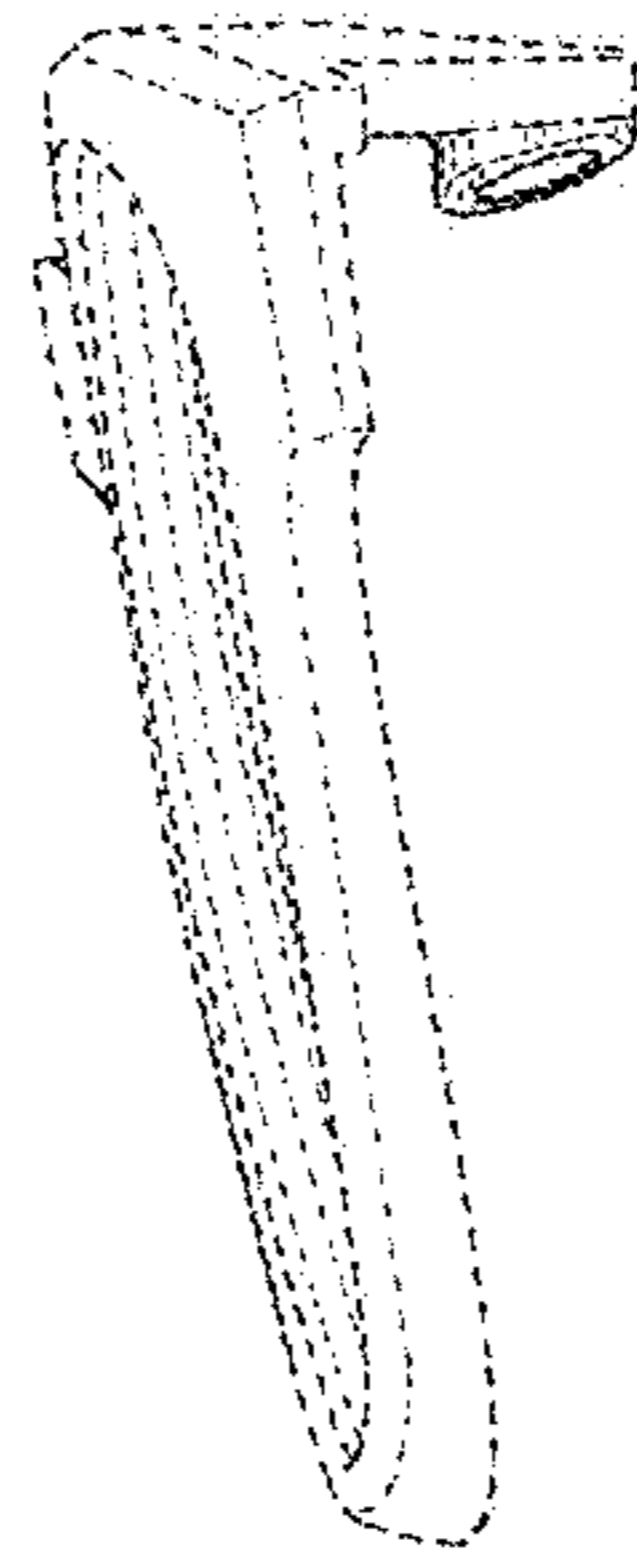


FIG. 7

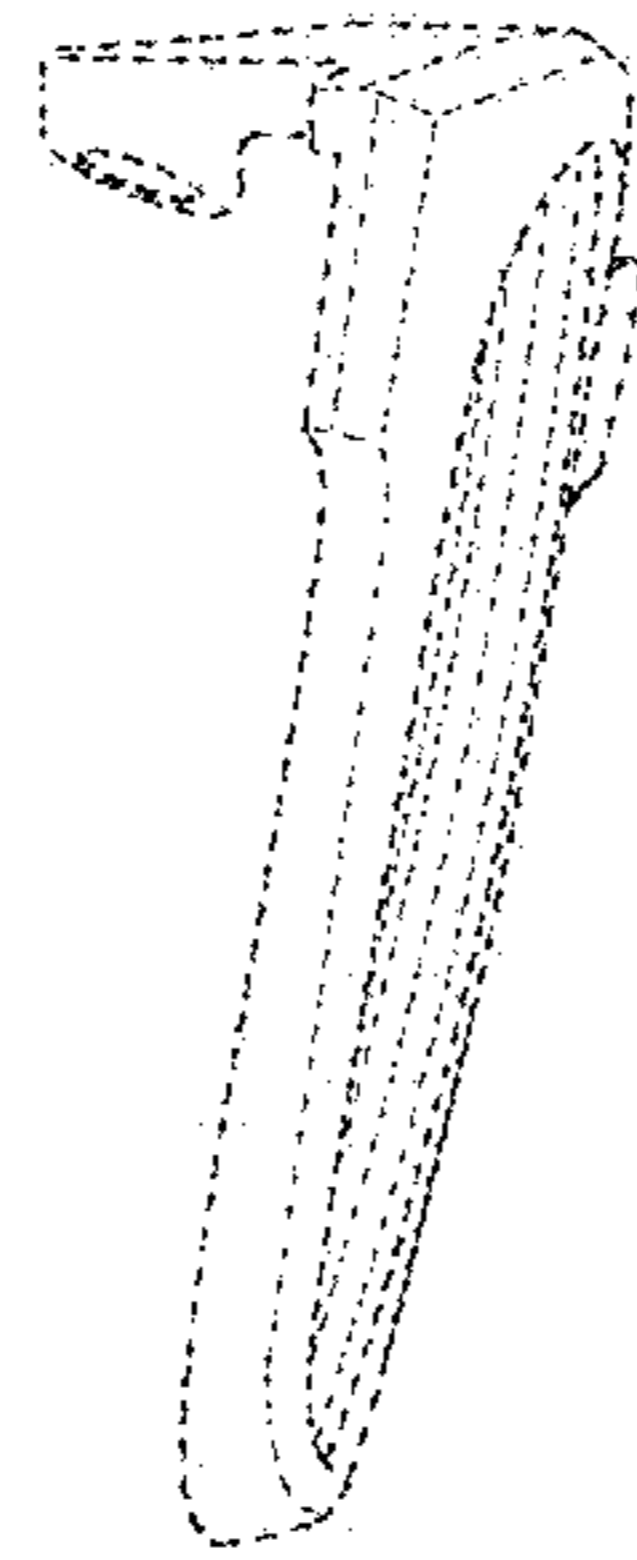


FIG. 8

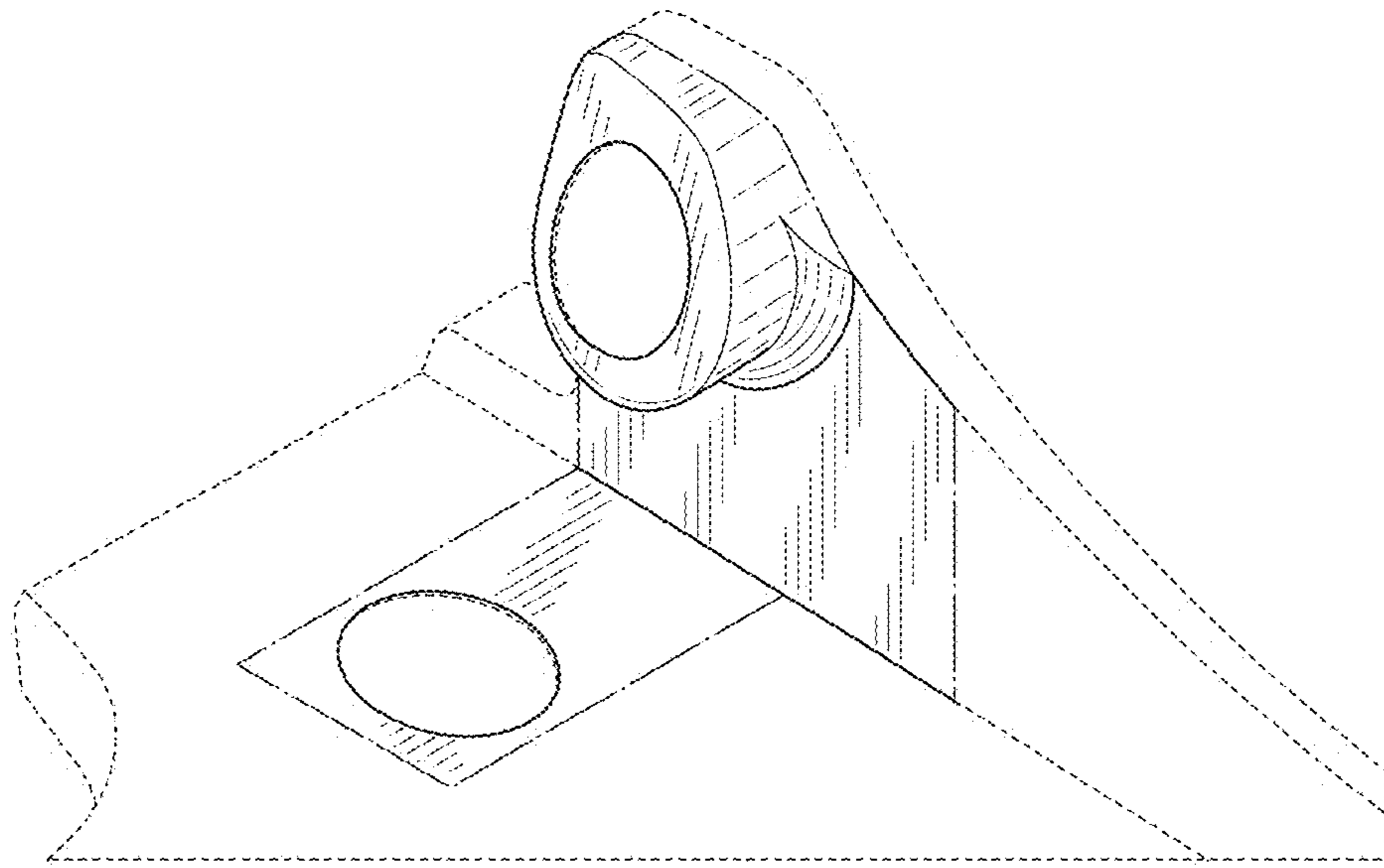


FIG. 9

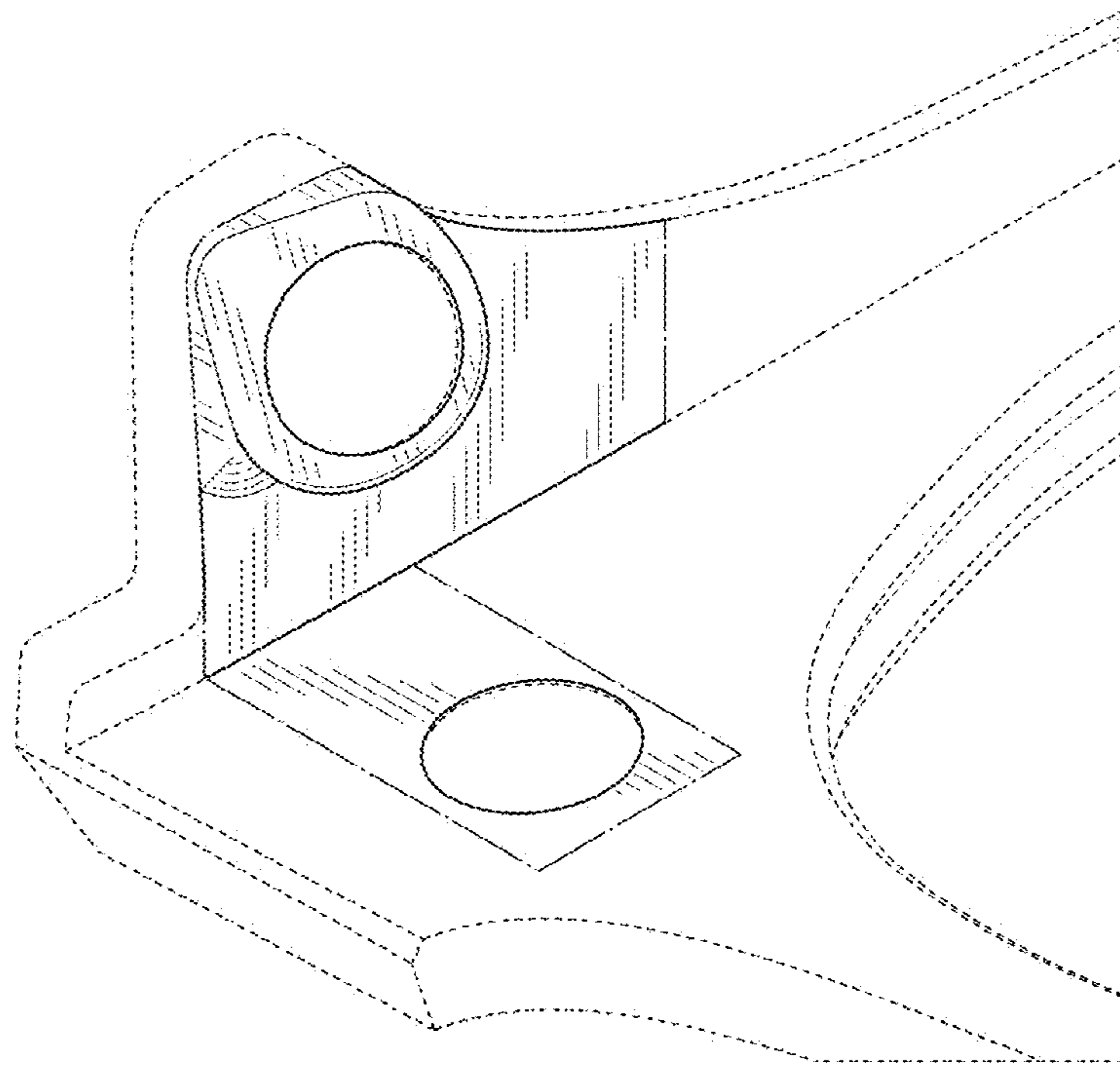


FIG. 10

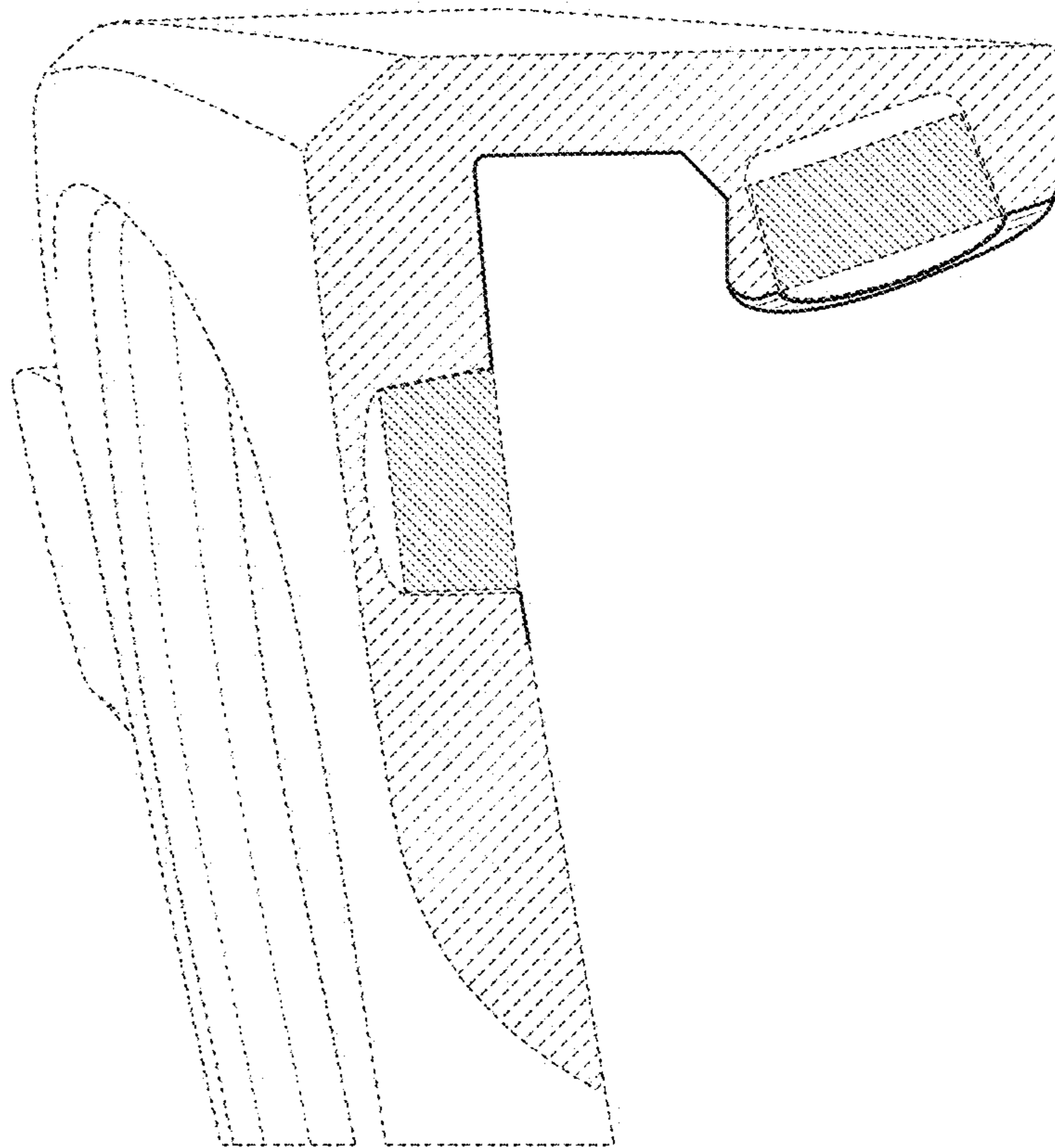


FIG. 11

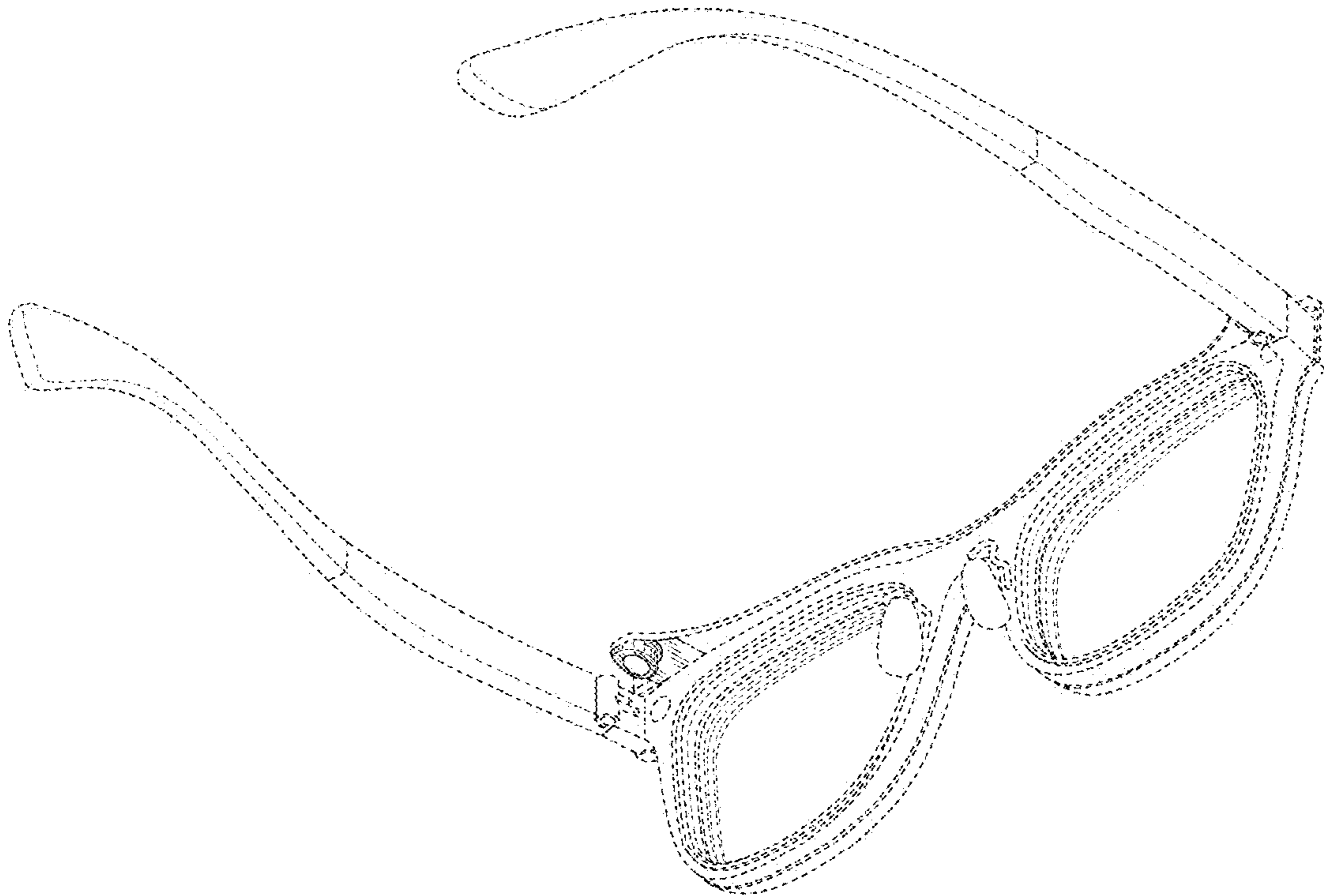


FIG. 12