



US00D982065S

(12) **United States Design Patent**  
**Muhlenkamp, IV et al.**

(10) **Patent No.:** **US D982,065 S**  
(45) **Date of Patent:** **\*\* Mar. 28, 2023**

(54) **CAMERA MOUNT**

(71) Applicant: **GoPro, Inc.**, San Mateo, CA (US)  
(72) Inventors: **John George Muhlenkamp, IV**,  
Brisbane, CA (US); **Scott Alberstein**,  
San Francisco, CA (US); **Bessy Liang**,  
San Jose, CA (US); **Huy Phuong**  
**Nguyen**, San Mateo, CA (US); **Daniel**  
**J. Coster**, San Francisco, CA (US);  
**Nicholas D. Woodman**, Big Sky, MT  
(US); **Jesse Patterson**, Pacifica, CA  
(US)

(73) Assignee: **GoPro, Inc.**, San Mateo, CA (US)

(\*\*) Term: **15 Years**

(21) Appl. No.: **29/740,015**

(22) Filed: **Jun. 30, 2020**

(51) **LOC (14) Cl.** ..... **16-05**

(52) **U.S. Cl.**  
USPC ..... **D16/242**; D16/243; D16/244

(58) **Field of Classification Search**  
USPC ..... D16/219, 237–250; D8/354, 355, 363,  
D8/373, 382–383, 394–396; D14/224,  
(Continued)

(56) **References Cited**

**U.S. PATENT DOCUMENTS**

3,508,482 A 4/1970 Taylor  
4,091,402 A 5/1978 Siegel  
(Continued)

**FOREIGN PATENT DOCUMENTS**

CN 300710506 \* 11/2007  
CN 304732212 \* 7/2018  
(Continued)

**OTHER PUBLICATIONS**

PGYTEch MantisPod Pro Vlogging Tripod, product availability unknown [online], video review Sep. 1, 2021 [online], [site visited Mar. 15, 2022]; URL: <https://www.jbhifi.com.au/products/pgytech-mantis-pod-pro-vlogging-tripod?view=pdp> (Year: 2021).\*

(Continued)

*Primary Examiner* — Bao-Yen T Nguyen  
*Assistant Examiner* — Loryn K. Leblanc  
(74) *Attorney, Agent, or Firm* — Young Basile Hanlon & MacFarlane, P.C.

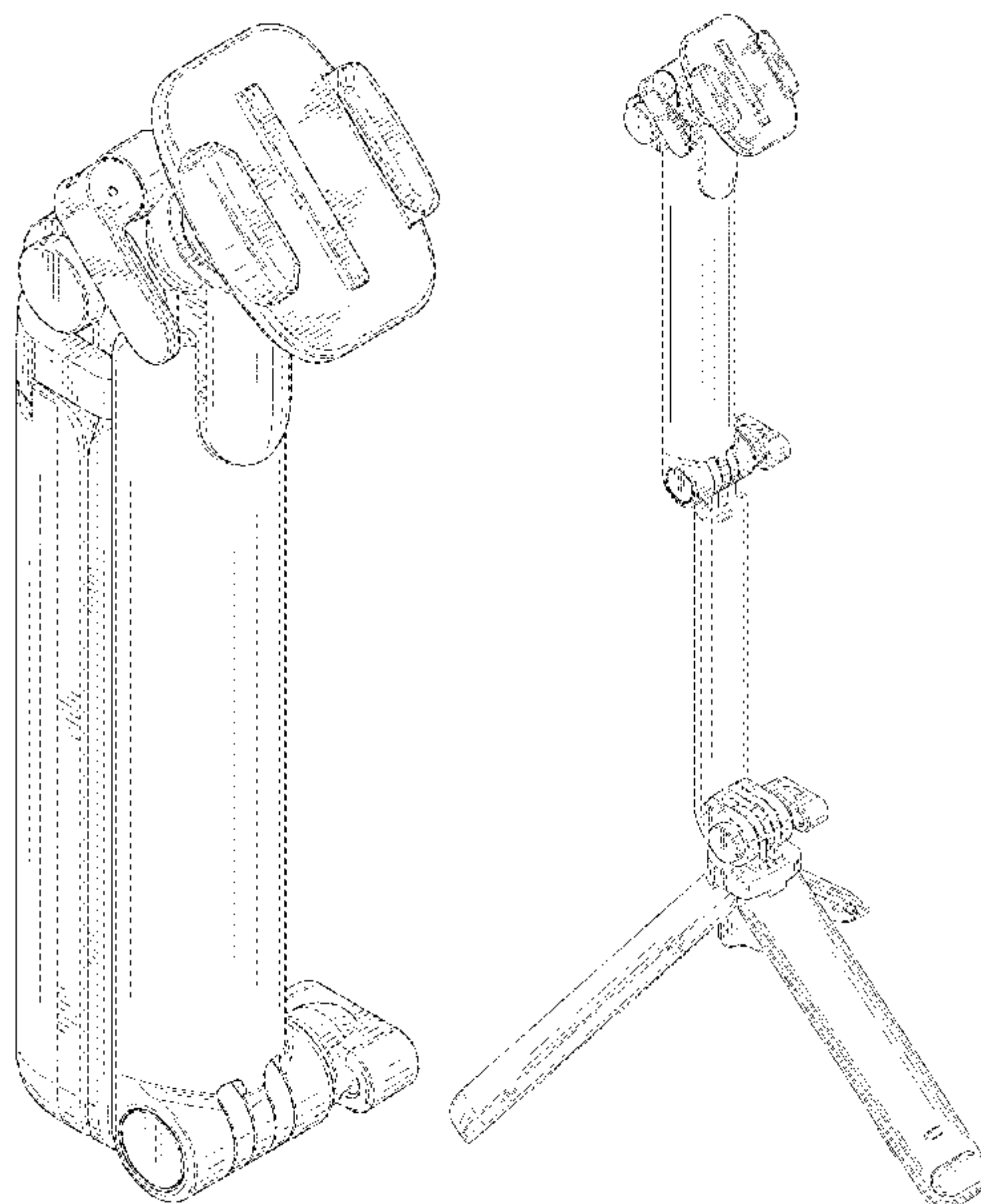
(57) **CLAIM**

The ornamental design for a camera mount, as shown and described.

**DESCRIPTION**

FIG. 1 is a front, upper, left perspective view of an embodiment of a camera mount of our new design in a first state; FIG. 2 is a front view thereof; FIG. 3 is a rear view thereof; FIG. 4 is a left view thereof; FIG. 5 is a right view thereof; FIG. 6 is a top view thereof; FIG. 7 is a bottom view thereof; FIG. 8 is a front, upper, left perspective view thereof in a second state; FIG. 9 is a front view thereof; FIG. 10 is a rear view thereof; FIG. 11 is a left view thereof; FIG. 12 is a right view thereof; FIG. 13 is a top view thereof; and, FIG. 14 is a bottom view thereof. The broken lines shown in the figures depict portions of the camera mount that form no part of the claimed design.

**1 Claim, 12 Drawing Sheets**





(58) **Field of Classification Search**

USPC ..... D14/229, 238, 251, 253, 447, 451, 457;  
D26/118

CPC ..... F16M 11/06-10; F16M 11/14; G02B  
7/00-002; G03B 17/561-566; H04N  
5/2253-2254

See application file for complete search history.

2019/0128469 A1\* 5/2019 Lu ..... F16M 11/041  
2020/0149679 A1\* 5/2020 Grabner ..... F16H 1/16  
2021/0112182 A1\* 4/2021 Crow ..... H04N 5/23227

FOREIGN PATENT DOCUMENTS

CN	305888103	*	6/2020
CN	306342509	*	2/2021
CN	306928782	*	11/2021
CN	306972911	*	11/2021
CN	306992555	*	12/2021
CN	307003151	*	12/2021
CN	307072669	*	1/2022
CN	307095111	*	2/2022
CN	307108151	*	2/2022
CN	307136317	*	3/2022
WO	2010005976	A1	1/2010

(56) **References Cited**

U.S. PATENT DOCUMENTS

4,208,028	A	6/1980	Brown	
4,733,259	A	3/1988	Ng	
D349,717	S *	8/1994	Akaike	D16/244
5,384,609	A *	1/1995	Ogawa	F16M 11/10 396/419
5,400,234	A	3/1995	Yu	
D515,613	S	2/2006	Holmes	
D532,436	S *	11/2006	Kruse	D16/244
D533,578	S *	12/2006	Oka	D16/244
D577,729	S	9/2008	Derry	
D577,731	S	9/2008	Altonji	
7,494,291	B2	2/2009	Saxton	
8,014,656	B2	9/2011	Woodman	
D685,379	S *	7/2013	Richter	D14/447
D697,570	S *	1/2014	Samuels	D21/771
D704,486	S *	5/2014	Cho	D6/708.25
9,004,783	B1	4/2015	Woodman	
D746,353	S	12/2015	Woodman	
9,204,021	B2	12/2015	Woodman	
9,316,346	B2	4/2016	Lau	
9,369,614	B2	6/2016	Woodman	
D768,755	S *	10/2016	Thomas	D16/242
D785,074	S	4/2017	Woodman	
9,612,507	B2	4/2017	Woodman	
D790,546	S *	6/2017	Zhou	D14/426
D798,368	S *	9/2017	Nakajima	D16/242
D798,370	S *	9/2017	Nakajima	D16/245
9,810,974	B2 *	11/2017	Chi	F16M 11/242
D806,780	S *	1/2018	Martin	D16/243
9,904,148	B1 *	2/2018	Druker	F16M 13/04
D812,126	S *	3/2018	Paterson	D16/243
D821,483	S *	6/2018	Vitale	D16/244
D822,092	S *	7/2018	Bergman	D16/244
D831,099	S *	10/2018	Paterson	D16/243
D852,874	S *	7/2019	Bergman	D16/243
D869,546	S *	12/2019	Paterson	D16/243
D898,107	S *	10/2020	Tan	D16/244
D911,427	S *	2/2021	Silva Casas	D16/244
10,928,711	B2 *	2/2021	Vitale	G03B 17/08
10,955,730	B2 *	3/2021	Yap	G03B 17/563
D921,095	S *	6/2021	Alberstein	D16/242
D939,014	S *	12/2021	Matsumoto	D16/243
2004/0223752	A1	11/2004	Ghanouni	
2005/0091860	A1 *	5/2005	Watters	F16M 11/28 33/290
2005/0128347	A1 *	6/2005	Ryu	H04N 5/23203 348/375
2006/0257137	A1	11/2006	Fromm	
2008/0117328	A1	5/2008	Daoud	
2008/0248703	A1	10/2008	Russell	
2010/0061711	A1	3/2010	Woodman	
2011/0042530	A1	2/2011	Phillips	
2011/0129210	A1	6/2011	Mcgucken	
2013/0010186	A1 *	1/2013	Scarola	F16M 13/04 348/E5.025
2013/0186310	A1	7/2013	Lymberis	
2014/0356048	A1 *	12/2014	Chou	F16B 7/0493 403/57
2015/0177597	A1 *	6/2015	Harrison	F16M 11/10 396/419
2015/0189131	A1	7/2015	Woodman	
2015/0316837	A1 *	11/2015	Maltese	F16M 11/28 29/525.08
2018/0017850	A1 *	1/2018	Shen	H04N 5/2253
2018/0106418	A1 *	4/2018	Anglin	F16M 11/28

OTHER PUBLICATIONS

GoPro Shorty Mini Extension Pole Tripod, product available Sep. 14, 2017 [online], pictured review Nov. 12, 2017 [online], [site visited Mar. 15, 2022]:URL:<[https://www.amazon.com/gp/product/B0755G21GJ/ref=ox\\_sc\\_act\\_title\\_1?smid=A133NNBZBDZH7R&psc=1](https://www.amazon.com/gp/product/B0755G21GJ/ref=ox_sc_act_title_1?smid=A133NNBZBDZH7R&psc=1)> (Year: 2017).\*

GoPro Max Grip, product available Oct. 1, 2019 [online], pictured review Jan. 28, 2020 [online], [site visited Mar. 15, 2022]:URL:<[https://www.amazon.com/GoPro-Max-Grip-Tripod-Official/dp/B07WRMQD69?ref=ast\\_sto\\_dp](https://www.amazon.com/GoPro-Max-Grip-Tripod-Official/dp/B07WRMQD69?ref=ast_sto_dp)> (Year: 2019).\*

GoPro 3-Way 2.0, product available Apr. 16, 2021 [online], pictured review Feb. 8, 2022 [online], [site visited Mar. 15, 2022]:URL:<[https://www.amazon.com/gp/product/B092RK7H4C/ref=ox\\_sc\\_act\\_title\\_1?smid=ATVPDKIKX0DER&psc=1](https://www.amazon.com/gp/product/B092RK7H4C/ref=ox_sc_act_title_1?smid=ATVPDKIKX0DER&psc=1)> (Year: 2021).\*

Extendable Selfie Stick for Gopro, product available Oct. 19, 2019 [online], pictured review Jan. 12, 2021 [online], [site visited Mar. 15, 2022]:URL:<[https://www.amazon.com/gp/product/B07ZB4MVPN/ref=sw\\_img\\_1?smid=A17QBZVUKPDUQT&psc=1](https://www.amazon.com/gp/product/B07ZB4MVPN/ref=sw_img_1?smid=A17QBZVUKPDUQT&psc=1)> (Year: 2019).\*

Taisioner Mini Selfie Stick Tripod, product available Mar. 15, 2019 [online], pictured review Nov. 14, 2019 [online], [site visited Mar. 15, 2022]:URL:<[https://www.amazon.com/gp/product/B07PMQVSK2/ref=sw\\_img\\_1?smid=A3NQN2OWAVKMYQ&psc=1](https://www.amazon.com/gp/product/B07PMQVSK2/ref=sw_img_1?smid=A3NQN2OWAVKMYQ&psc=1)> (Year: 2019).\*

HSU Basic Adapter Grab Bag for GoPro, product available Jan. 4, 2022 [online], no video/pictured review available [online], [site visited Mar. 15, 2022]:URL:<[https://www.amazon.com/gp/product/B09PMTWH6F/ref=sw\\_img\\_1?smid=ACSWHAS0RUSKH&psc=1](https://www.amazon.com/gp/product/B09PMTWH6F/ref=sw_img_1?smid=ACSWHAS0RUSKH&psc=1)> (Year: 2022).\*

GoPro Grab Bag of Mounts for HERO Cameras, product available Jun. 17, 2003 [online], video review Jan. 4, 2013 [online], [site visited Mar. 15, 2022]:URL:<[https://www.amazon.com/gp/product/B0014FB8TC/ref=ox\\_sc\\_act\\_image\\_1?smid=AI815W1WMD729&psc=1](https://www.amazon.com/gp/product/B0014FB8TC/ref=ox_sc_act_image_1?smid=AI815W1WMD729&psc=1)> (Year: 2003).\*

SOONSUN 4-in-1 Floating Selfie Stick for GoPro Hero, product available Sep. 29, 2021 [online], pictured review Oct. 23, 2021 [online], [site visited Mar. 15, 2022]:URL:<[https://www.amazon.com/gp/product/B09HG939V2/ref=sw\\_img\\_1?smid=AX3NEPOQADTLB&psc=1](https://www.amazon.com/gp/product/B09HG939V2/ref=sw_img_1?smid=AX3NEPOQADTLB&psc=1)> (Year: 2021).\*

GoPro Camera the Handler Floating Hand Grip, product available Sep. 13, 2017 [online], pictured review May 13, 2018 [online], [site visited Mar. 15, 2022]:URL:<[https://www.amazon.com/gp/product/B0755PDKCN/ref=ewc\\_pr\\_img\\_1?smid=AJ99WYM3HK1F9&psc=1](https://www.amazon.com/gp/product/B0755PDKCN/ref=ewc_pr_img_1?smid=AJ99WYM3HK1F9&psc=1)> (Year: 2017).\*

GoPro 3-way 2.0 Review, video review Apr. 22, 2021 [online], [site visited May 26, 2022]:URL:<<https://www.youtube.com/watch?v=qTOcfdI5e4>> (Year: 2021).\*

GoPro: Introducing 3-Way Grip, video review Jun. 2, 2014 [online], [site visited May 26, 2022]:URL:<<https://www.youtube.com/watch?v=2ZUCq3CNJNY>> (Year: 2014).\*

Non-Final Office Action for U.S. Appl. No. 14/054,640, dated Nov. 14, 2014, 17 Pages.

Final Office Action for U.S. Appl. No. 14/054,640, dated May 28, 2014, 13 Pages.

Non-Final Office Action for U.S. Appl. No. 14/656,734, dated May 12, 2015, 30 Pages.

(56)

**References Cited**

OTHER PUBLICATIONS

Non-Final Office Action for U.S. Appl. No. 14/926,321, dated Nov. 18, 2015, 13 Pages.

Office Action for Chinese Patent Application No. CN 201480056707.2, dated Nov. 15, 2016, 19 pages.

Final Office Action for U.S. Appl. No. 14/926,321, dated Feb. 17, 2016, 12 Pages.

United States Office Action, U.S. Appl. No. 15/155,336, dated Oct. 14, 2016, eight pages.

United States Office Action, U.S. Appl. No. 15/155,336, dated Jul. 15, 2016, 12 pages.

<https://www.youtube.com/watch?v=ShPBMUaeWxY>, Posted Aug. 21, 2014.

<https://www.youtube.com/watch?v=2ZUCq3CNJNY>, Posted Jun. 2, 2014.

\* cited by examiner



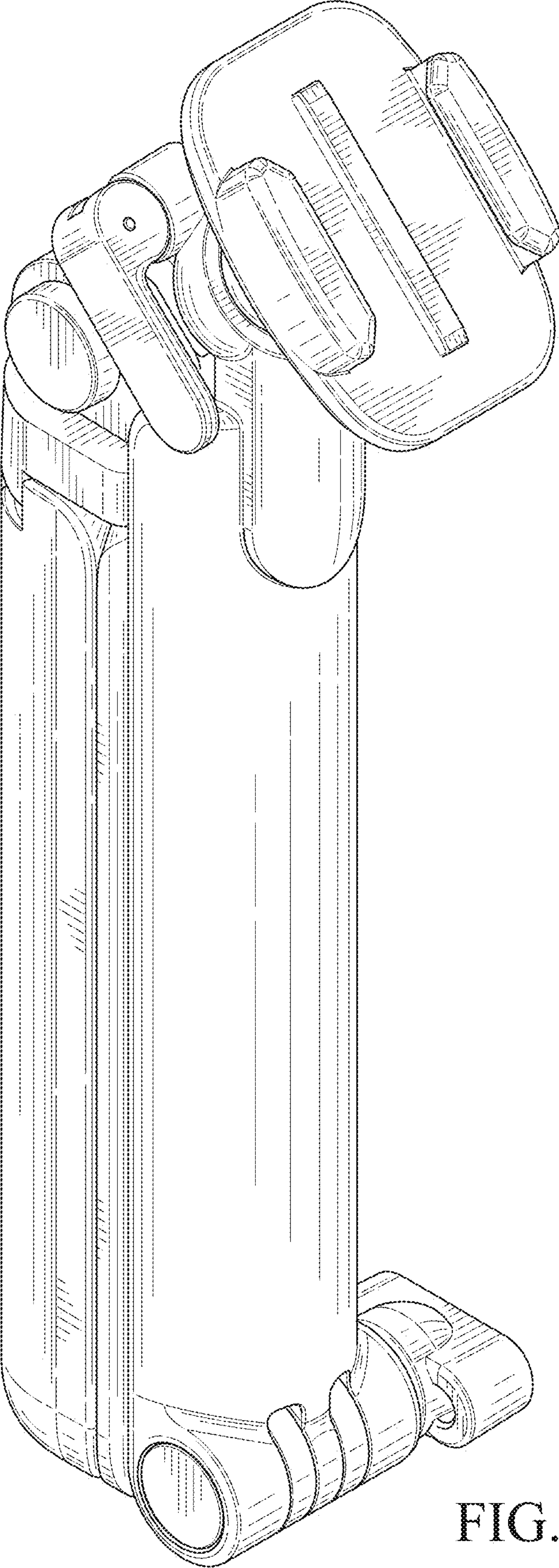


FIG. 1

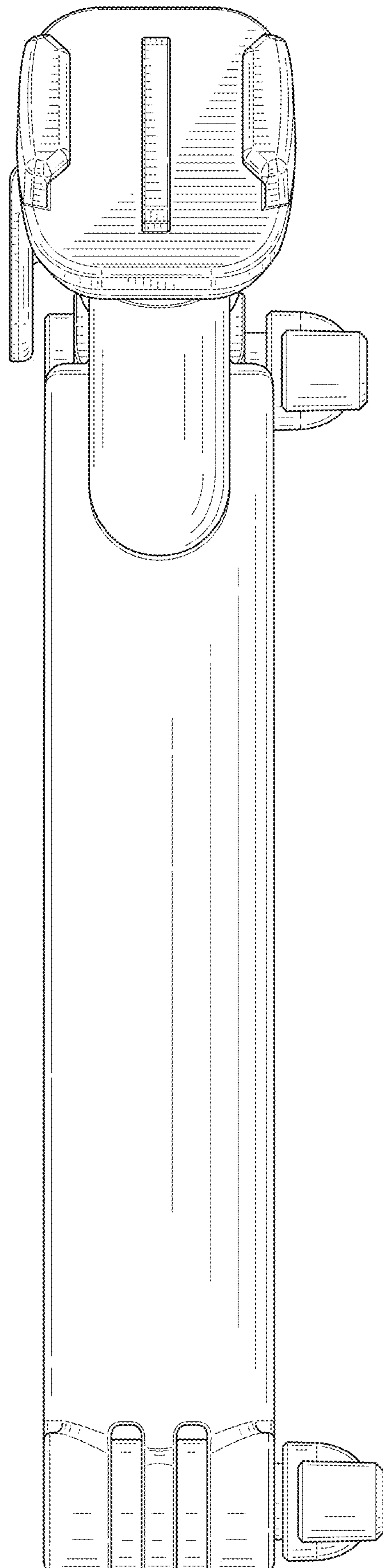


FIG. 2

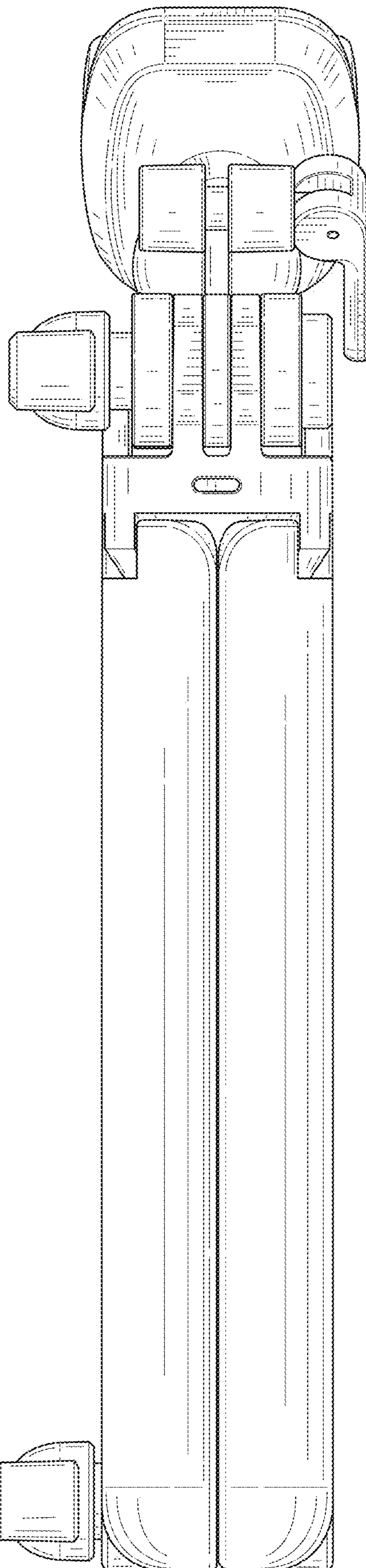


FIG. 3

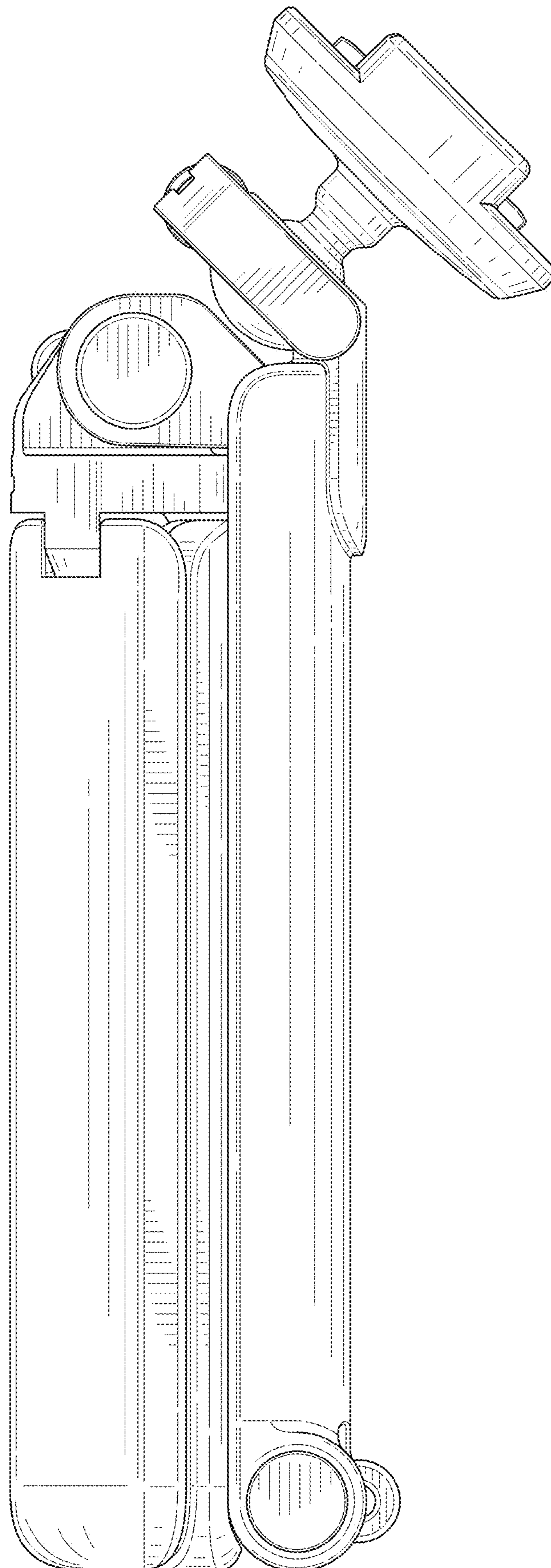


FIG. 4



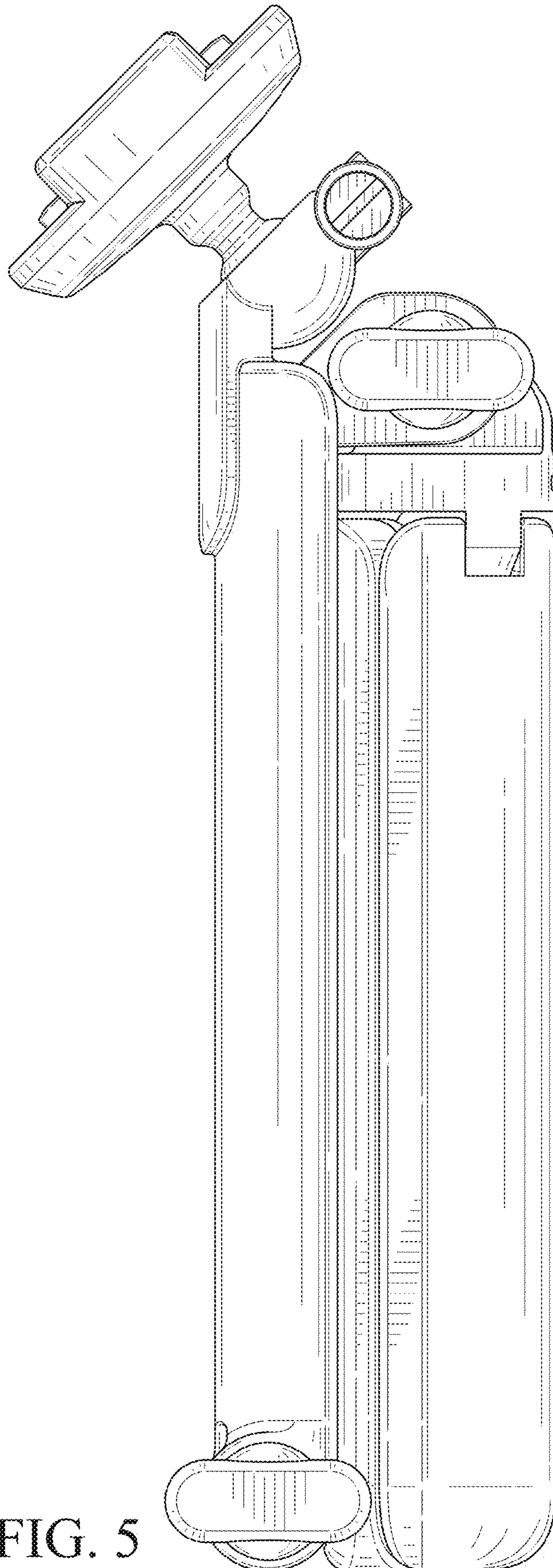


FIG. 5



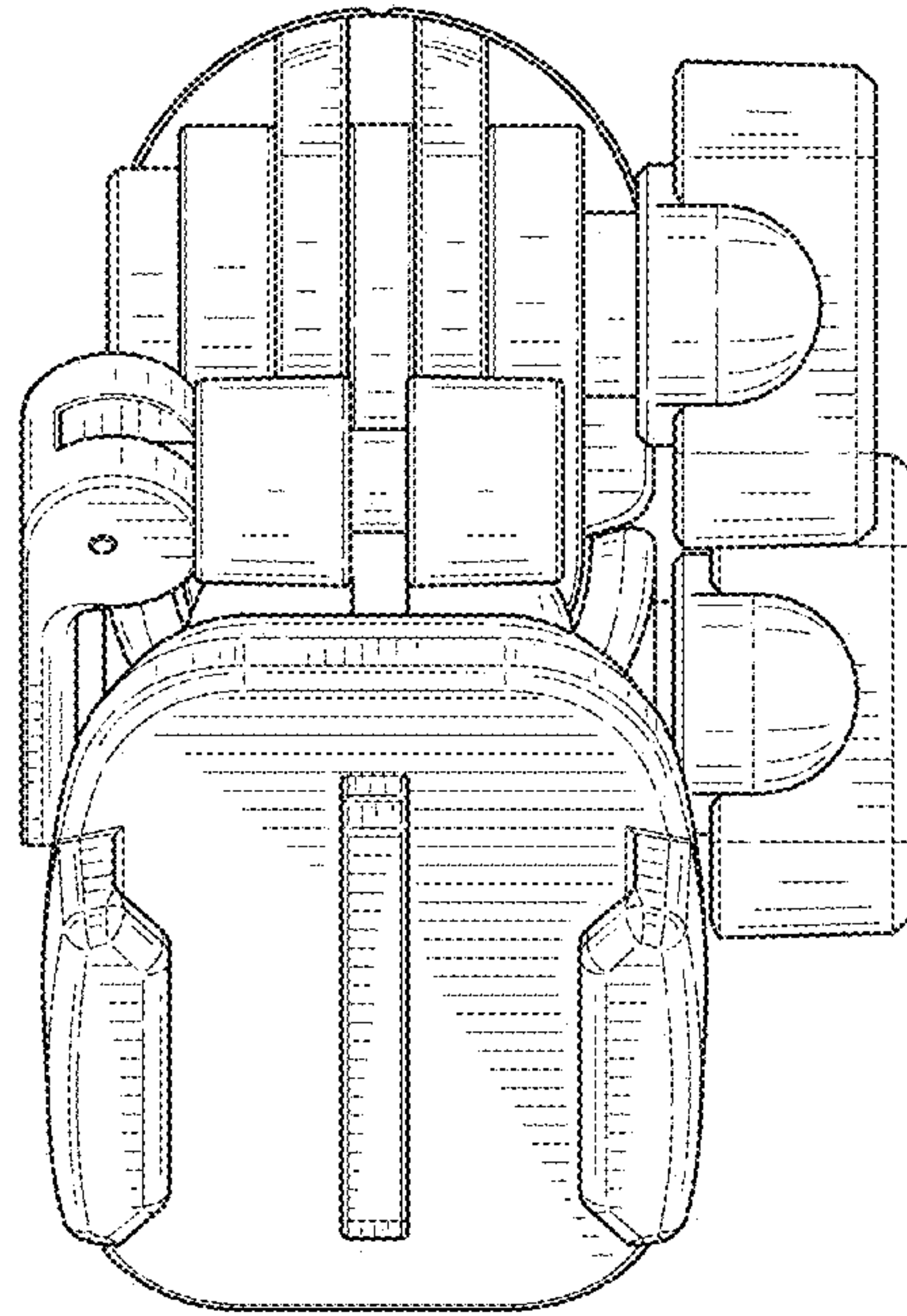


FIG. 6

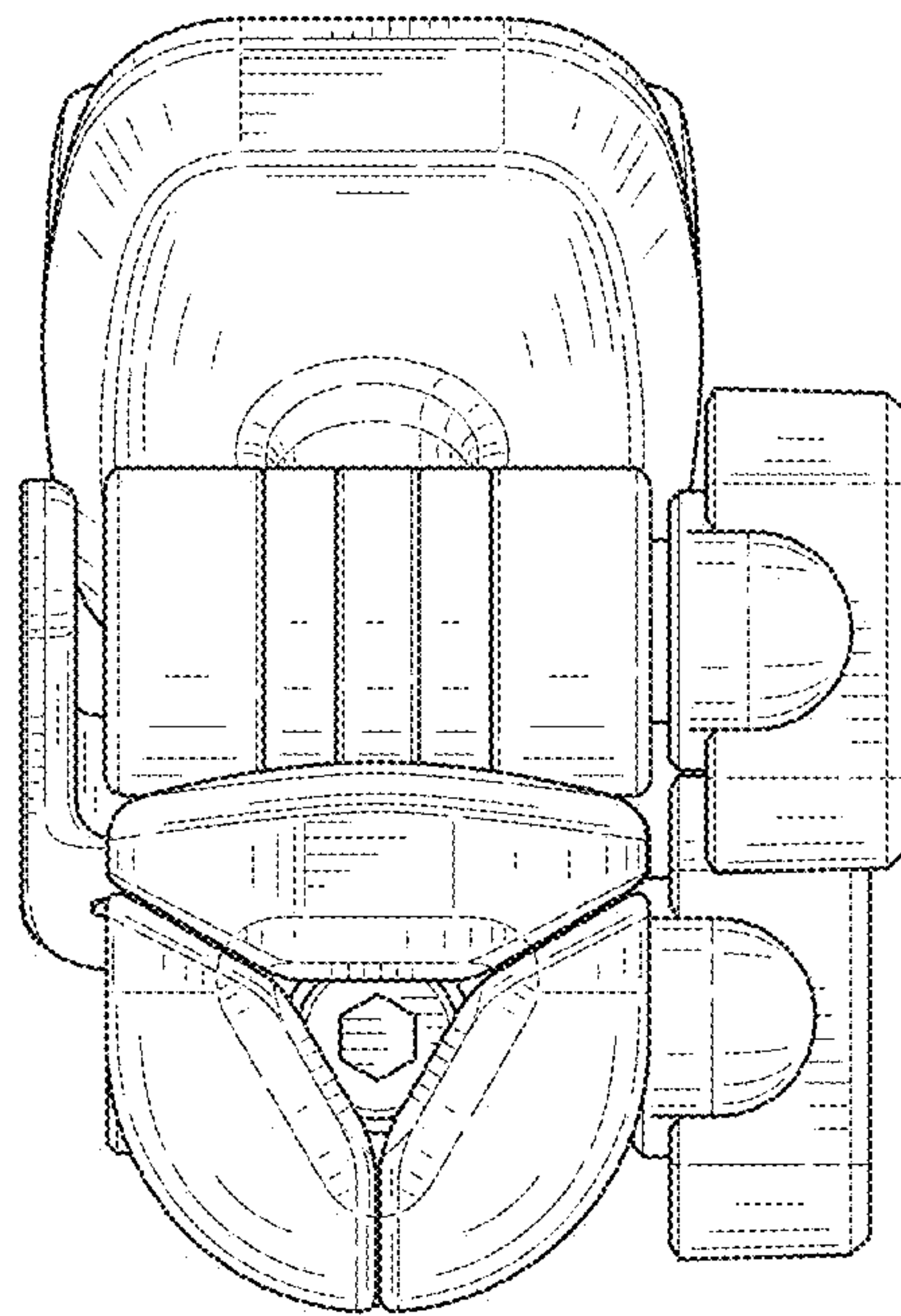


FIG. 7

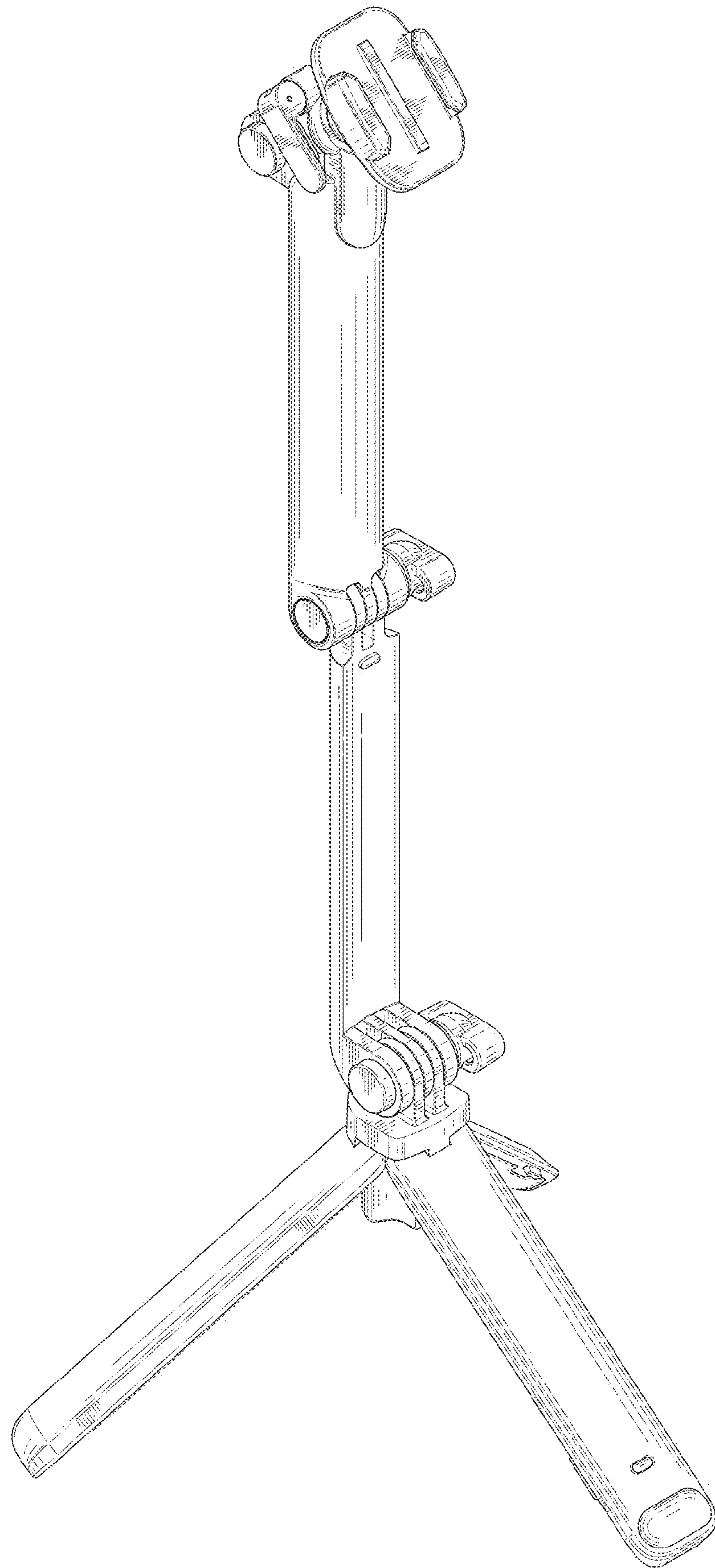


FIG. 8

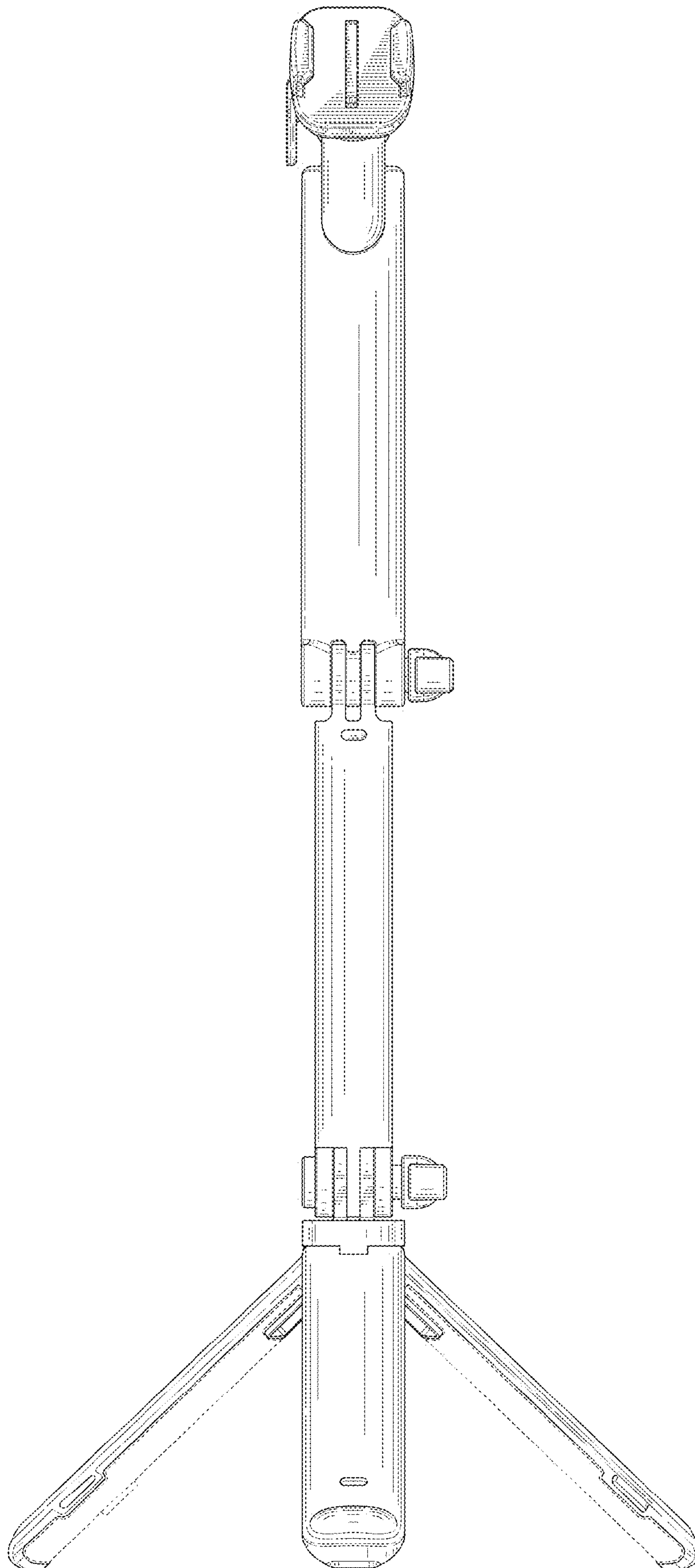


FIG. 9



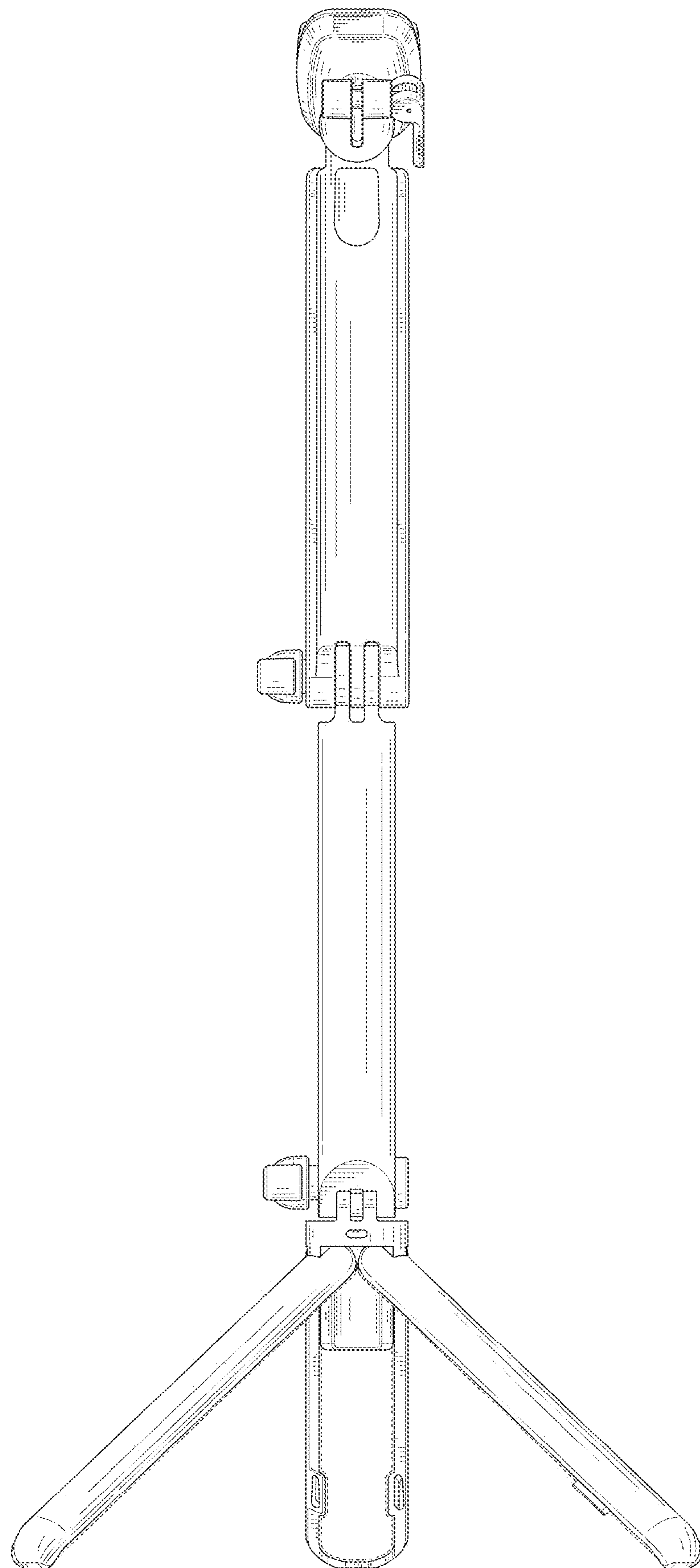


FIG. 10

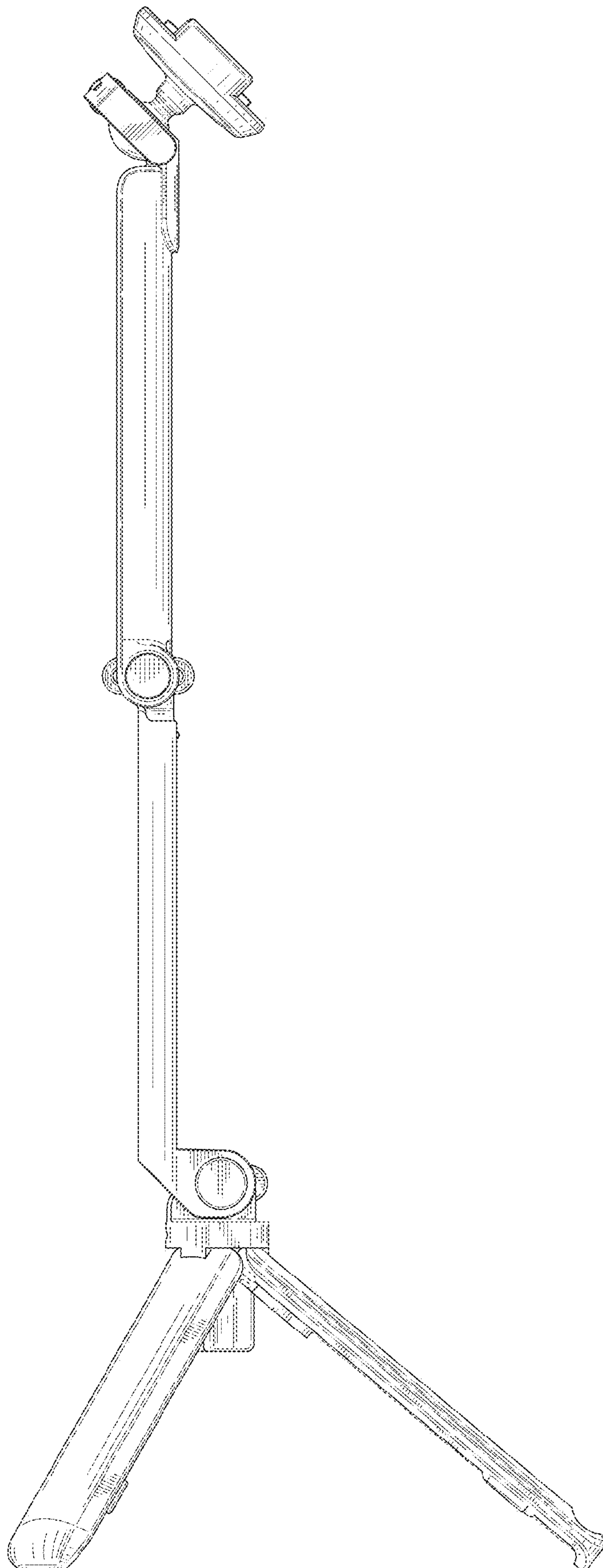


FIG. 11

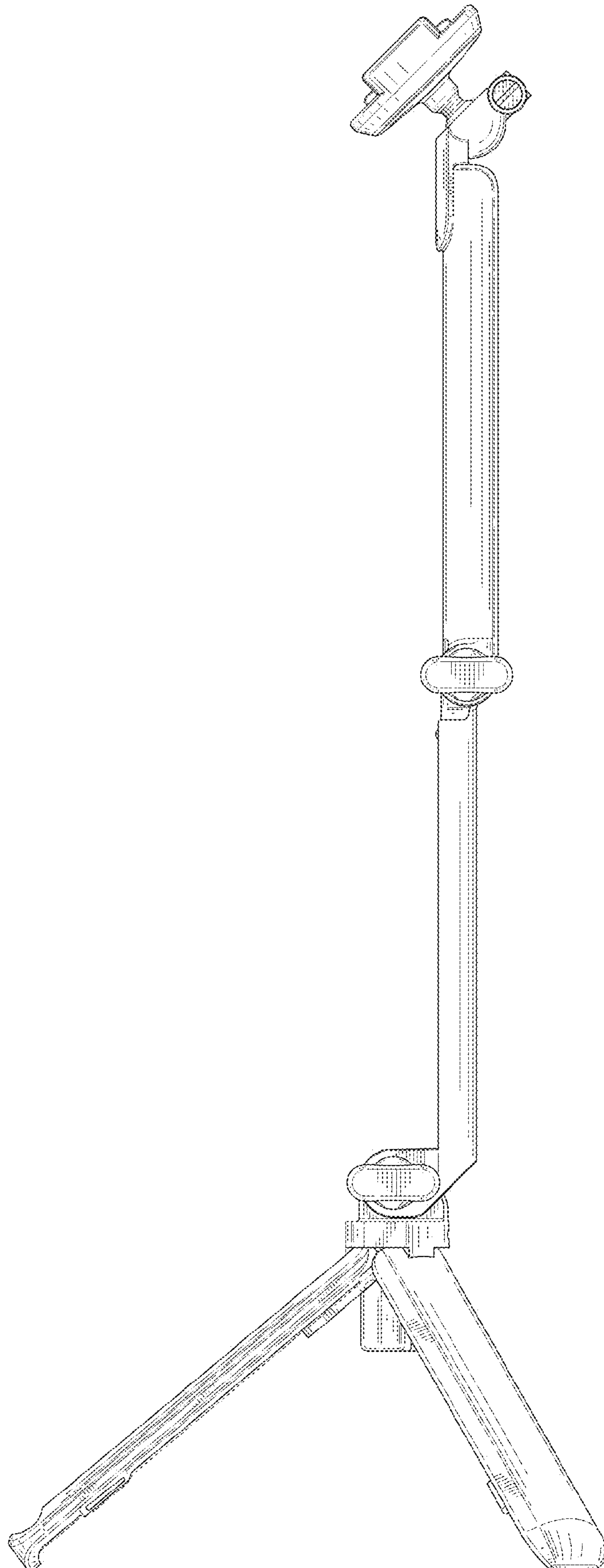


FIG. 12



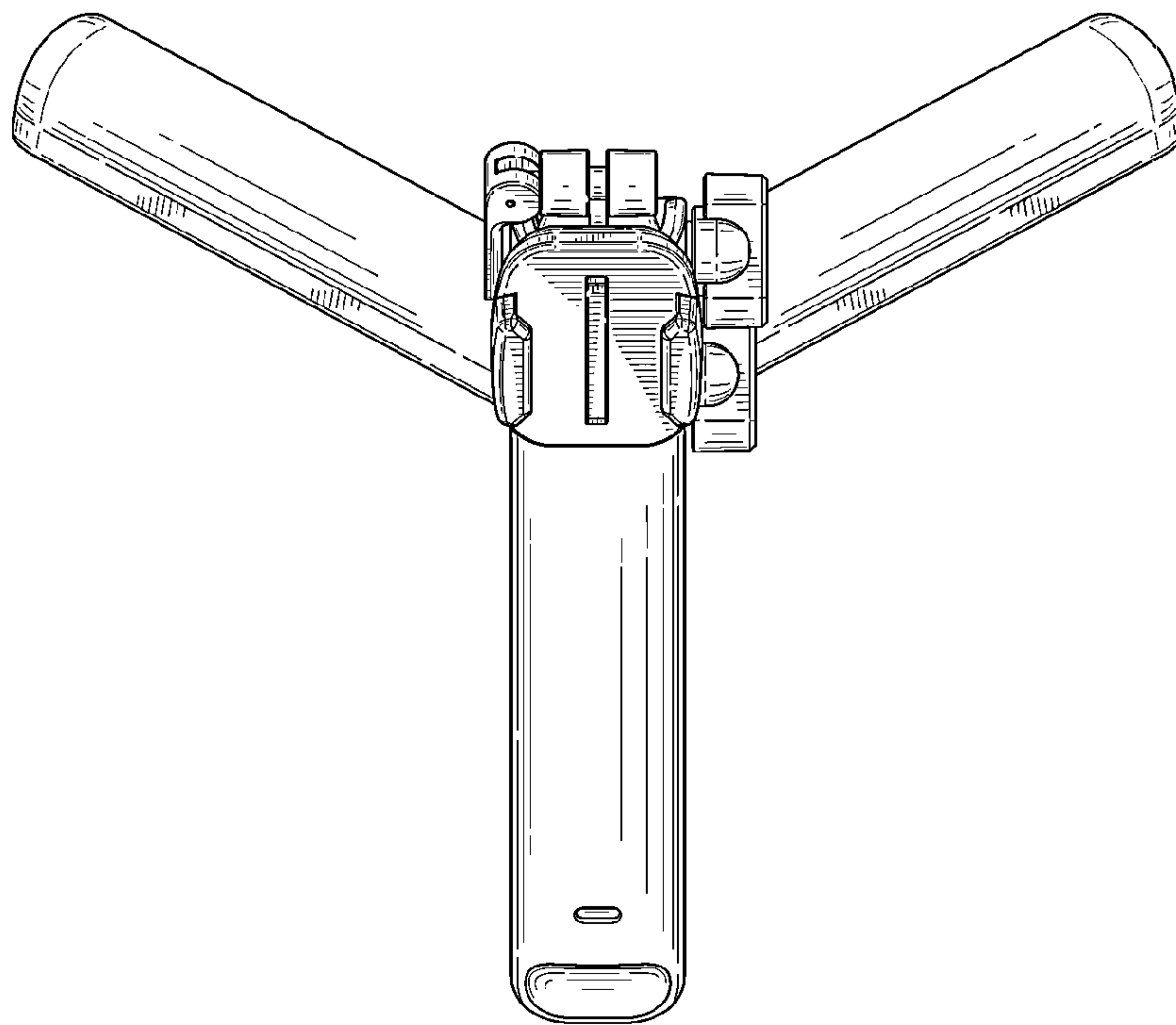


FIG. 13

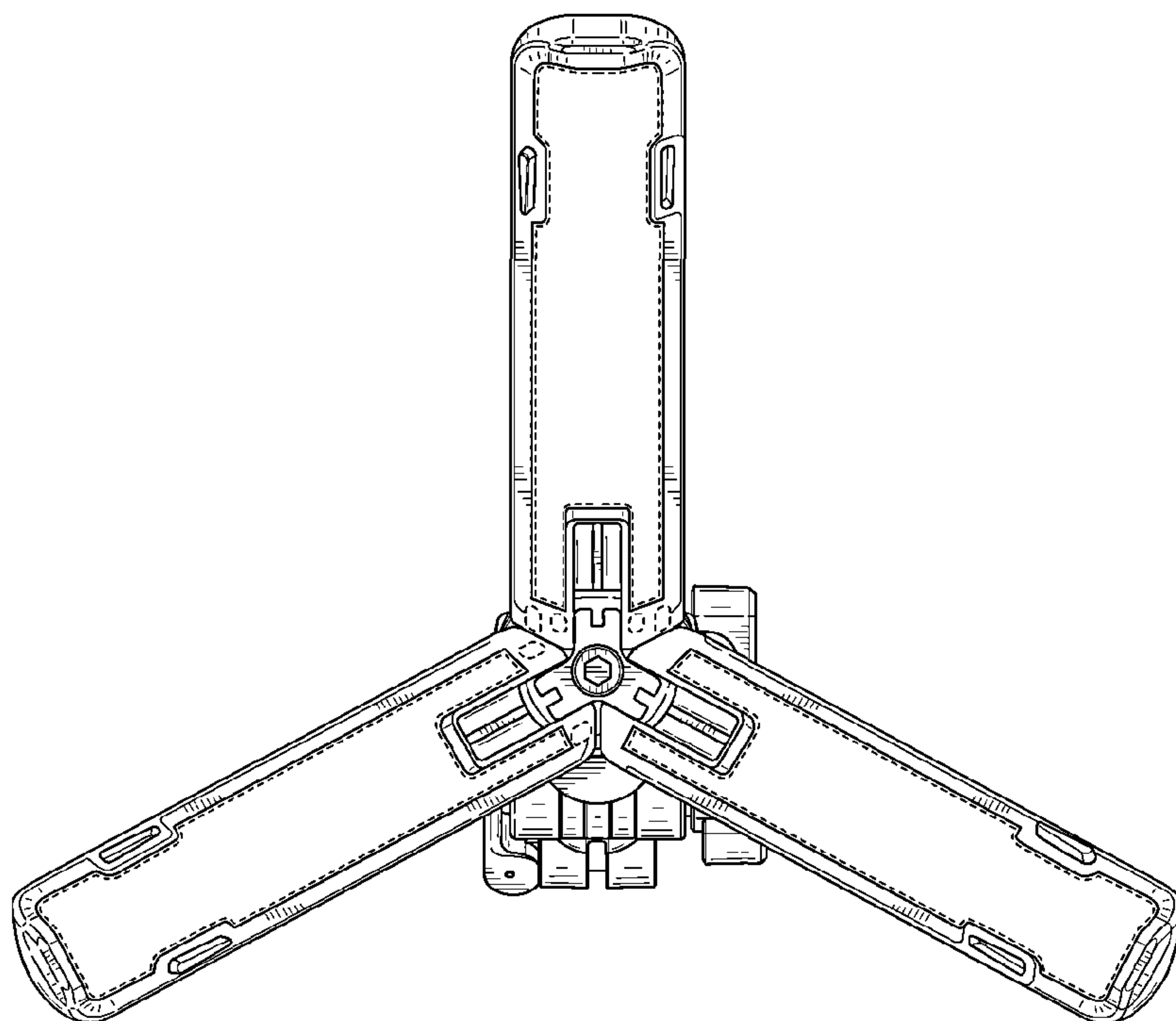


FIG. 14