



US00D982064S

(12) **United States Design Patent**
Xu et al.

(10) **Patent No.:** **US D982,064 S**
(45) **Date of Patent:** **** Mar. 28, 2023**

(54) **CAMERA LENS**

FOREIGN PATENT DOCUMENTS

(71) Applicants: **Yi Xu**, Guangdong (CN); **Zhiquan Yang**, Guangdong (CN); **Yonghui Yuan**, Henan (CN); **Jieming Li**, Jiangxi (CN); **Sufan Peng**, Guangdong (CN)

EM 004755924-0002 * 3/2018
EM 006621611-0001 * 7/2019
KR 301160416.0000 * 4/2022

(72) Inventors: **Yi Xu**, Guangdong (CN); **Zhiquan Yang**, Guangdong (CN); **Yonghui Yuan**, Henan (CN); **Jieming Li**, Jiangxi (CN); **Sufan Peng**, Guangdong (CN)

OTHER PUBLICATIONS

DZO film Pictor Zoom50-125mm, earliest pictured Sep. 24, 2021, [online], [site visited Aug. 30, 2022]. Available from Internet, <URL:https://www.dzofilm.com/products/pictor-zoom/> (Year: 2021).
Youtube Cine D DZOFilm Pictor . . . 50-125mm Zoom . . . with Phil Holland, published review Jul. 16, 2020, [online], [site visited 8/30/2022]. Available from Internet, <URL:https://youtu.be/I37IK3xjYTU> (Year: 2020).*

(73) Assignee: **Shenzhen Dongzheng Optical Technology Co., Ltd.**, Guangdong (CN)

(Continued)

(**) Term: **15 Years**

Primary Examiner — Michelle E. Wilson
Assistant Examiner — Breana Copeland

(21) Appl. No.: **29/761,532**

(57) **CLAIM**

(22) Filed: **Dec. 9, 2020**

The ornamental design for a camera lens, as shown and described.

(51) **LOC (14) Cl.** **16-06**

DESCRIPTION

(52) **U.S. Cl.**
USPC **D16/219**

(58) **Field of Classification Search**
USPC D16/134, 200, 217, 218, 219, 237;
348/373-376; 359/826-828;
396/529-532, 539-541
CPC G02B 7/022; G02B 7/026; G02B 7/08;
G02B 7/09; G02B 7/14
See application file for complete search history.

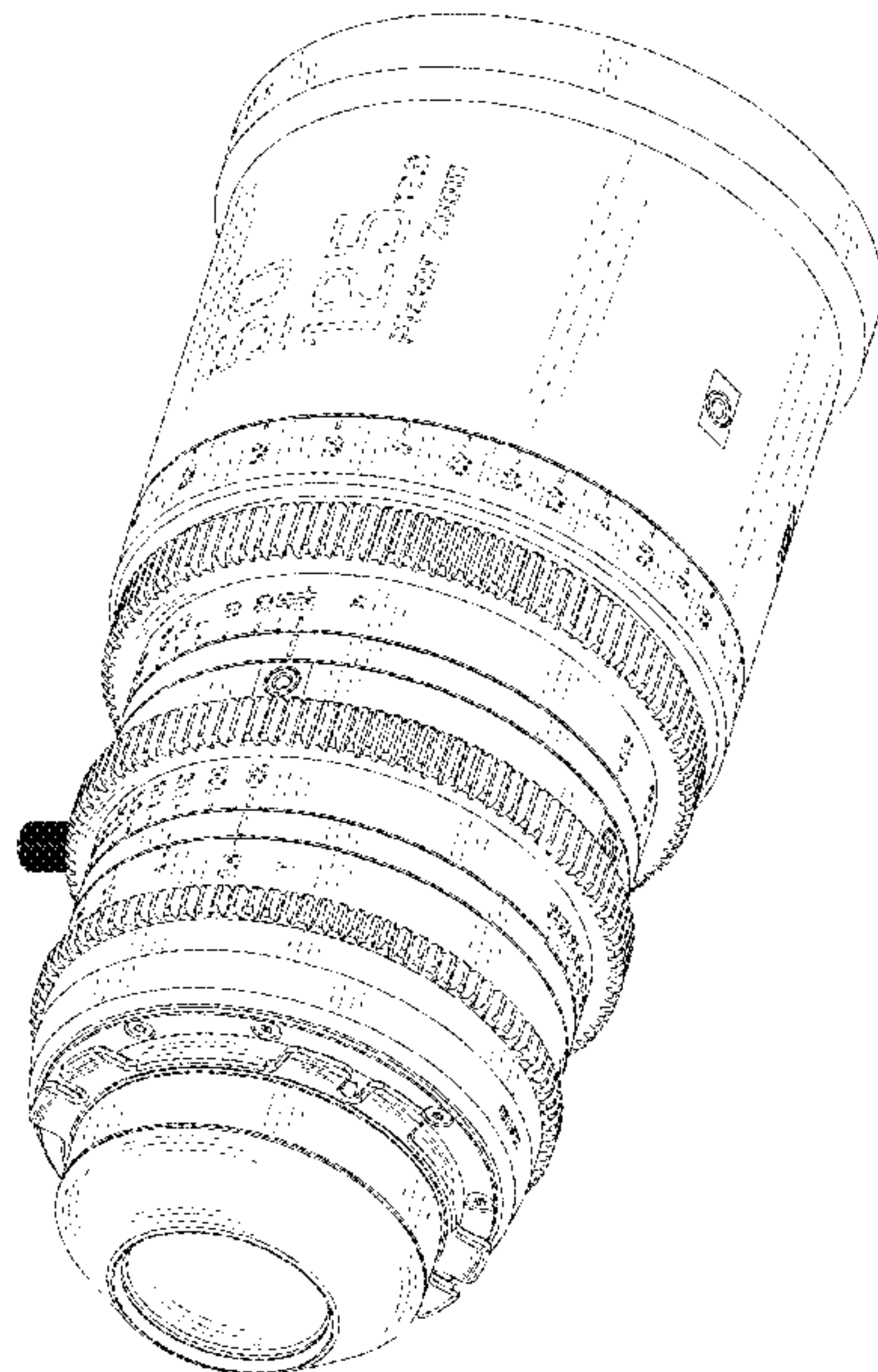
FIG. 1 is a left and top perspective view of a camera lens showing my new design;
FIG. 2 is a front and rear perspective view thereof;
FIG. 3 is a front elevation view thereof;
FIG. 4 is a rear elevation view thereof;
FIG. 5 is a left side elevation view thereof;
FIG. 6 is a right side elevation view thereof;
FIG. 7 is a top plan view thereof;
FIG. 8 is a bottom plan view thereof;
FIG. 9 is an enlarged partial view of the camera lens taken from the broken line circle in FIG. 3; and,
FIG. 10 is an enlarged partial view of the camera lens taken from the broken line circle in FIG. 7.
The broken line circles shown in FIGS. 3, 7, 9 and 10 form no part of the claimed design.

(56) **References Cited**

U.S. PATENT DOCUMENTS

D857,778 S * 8/2019 Sakai D16/219
D871,487 S * 12/2019 Sakai D16/219
D886,888 S * 6/2020 Möller D16/219
D915,491 S * 4/2021 Isozaki D16/219

1 Claim, 10 Drawing Sheets



(56)

References Cited

OTHER PUBLICATIONS

Blog.naver.com Erik Naso DZOFilm introduces Pictor . . . 50-125mmT2. 8, published Jul. 12, 2020, [online], [site visited Aug. 30, 2022]. Available from Internet, <URL:https://m.blog.naver.com/1967jk/222028962374> (Year: 2020).*

Google Image Search, [online], [site visited Aug. 30, 2022]. Available from Internet, <URL:https://www.google.com/search?q=50-125+lens&tbm=isch&ved=2ahUKEwivYae3u75AhXwr3IEHZeGCKkQ2-cCegQIABAA&oeq=50-125+lens&gs_lcp%E2%80%A6> (Year: 2022).*

* cited by examiner

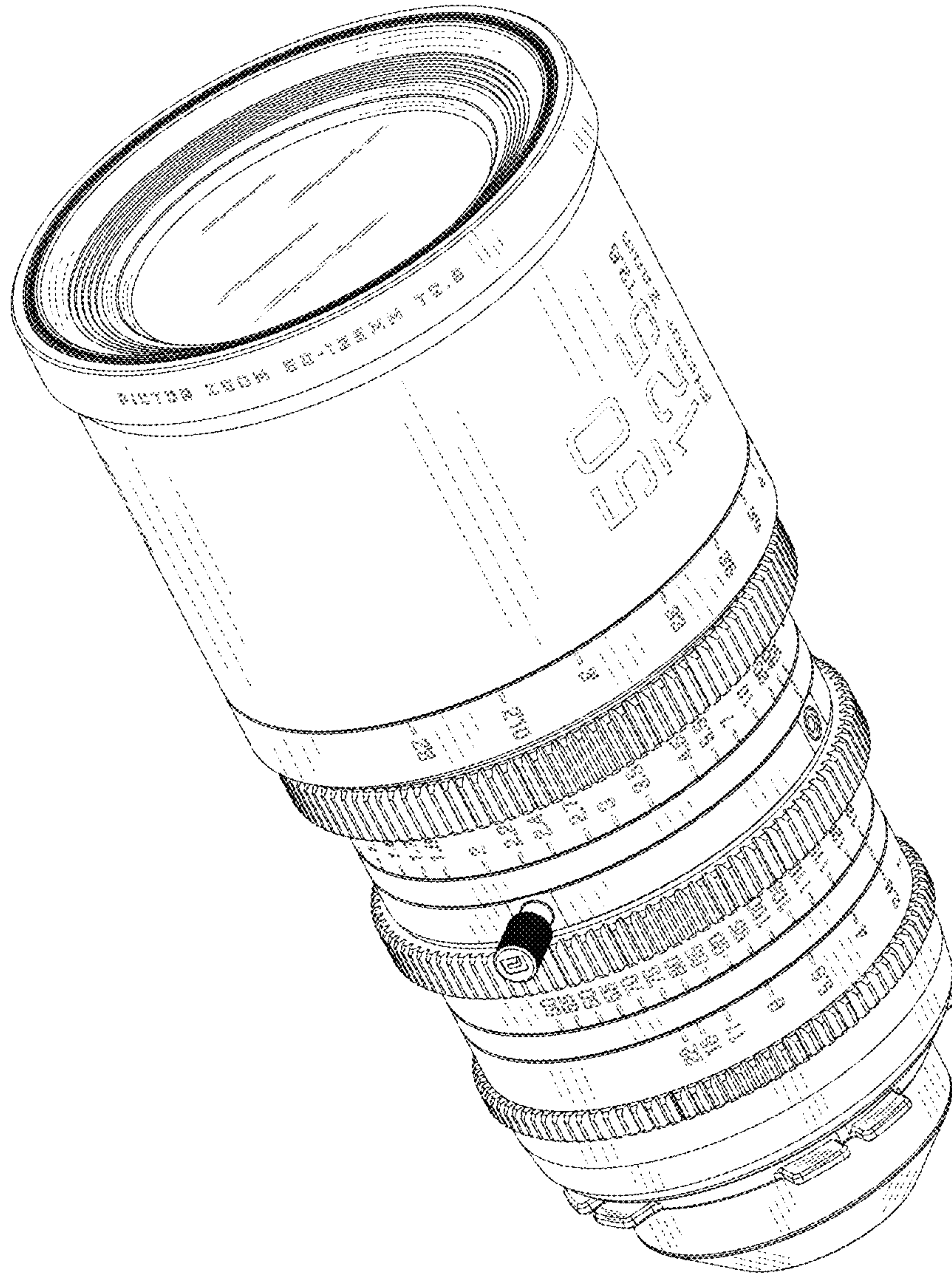


FIG.1

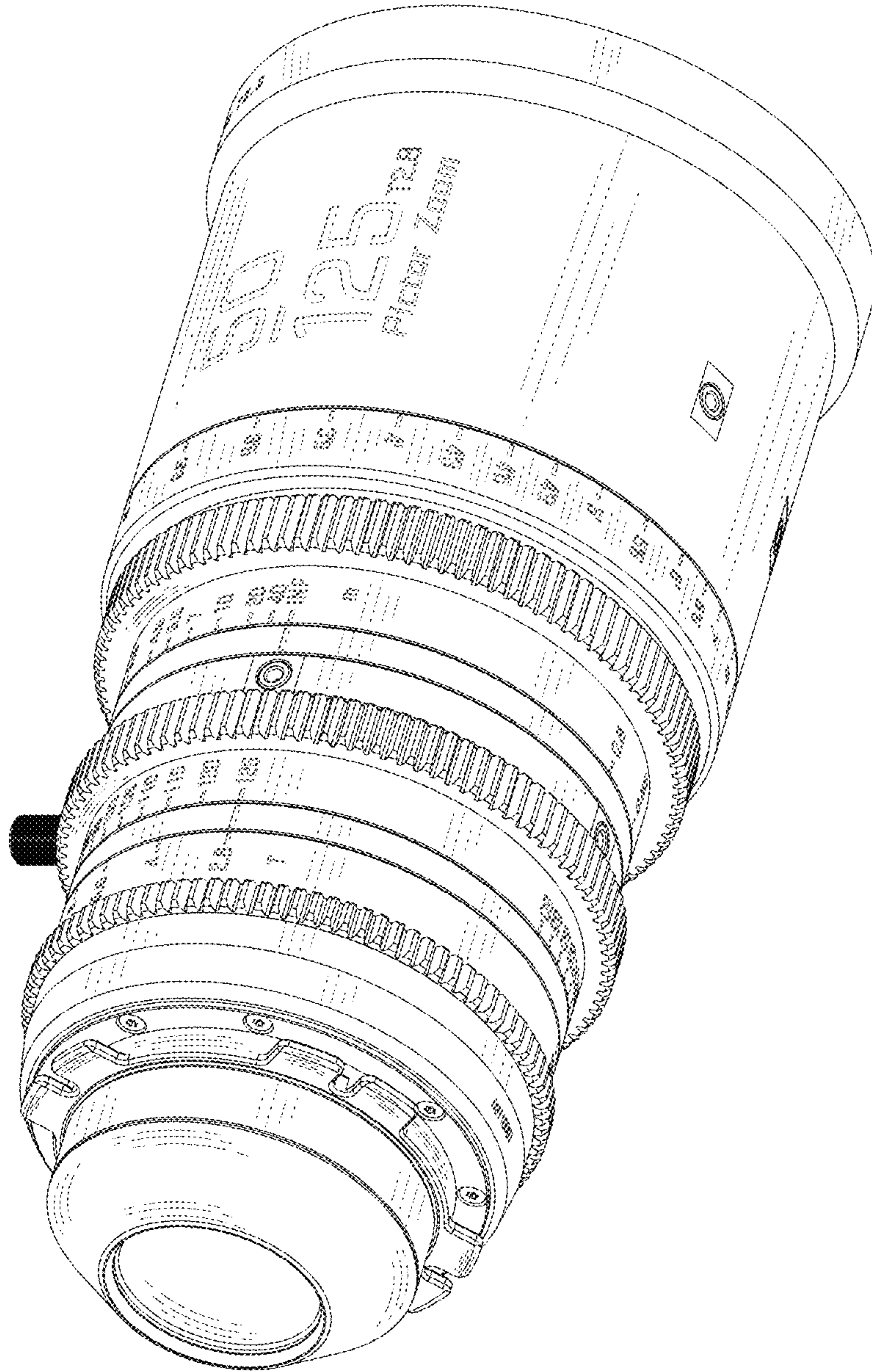


FIG.2

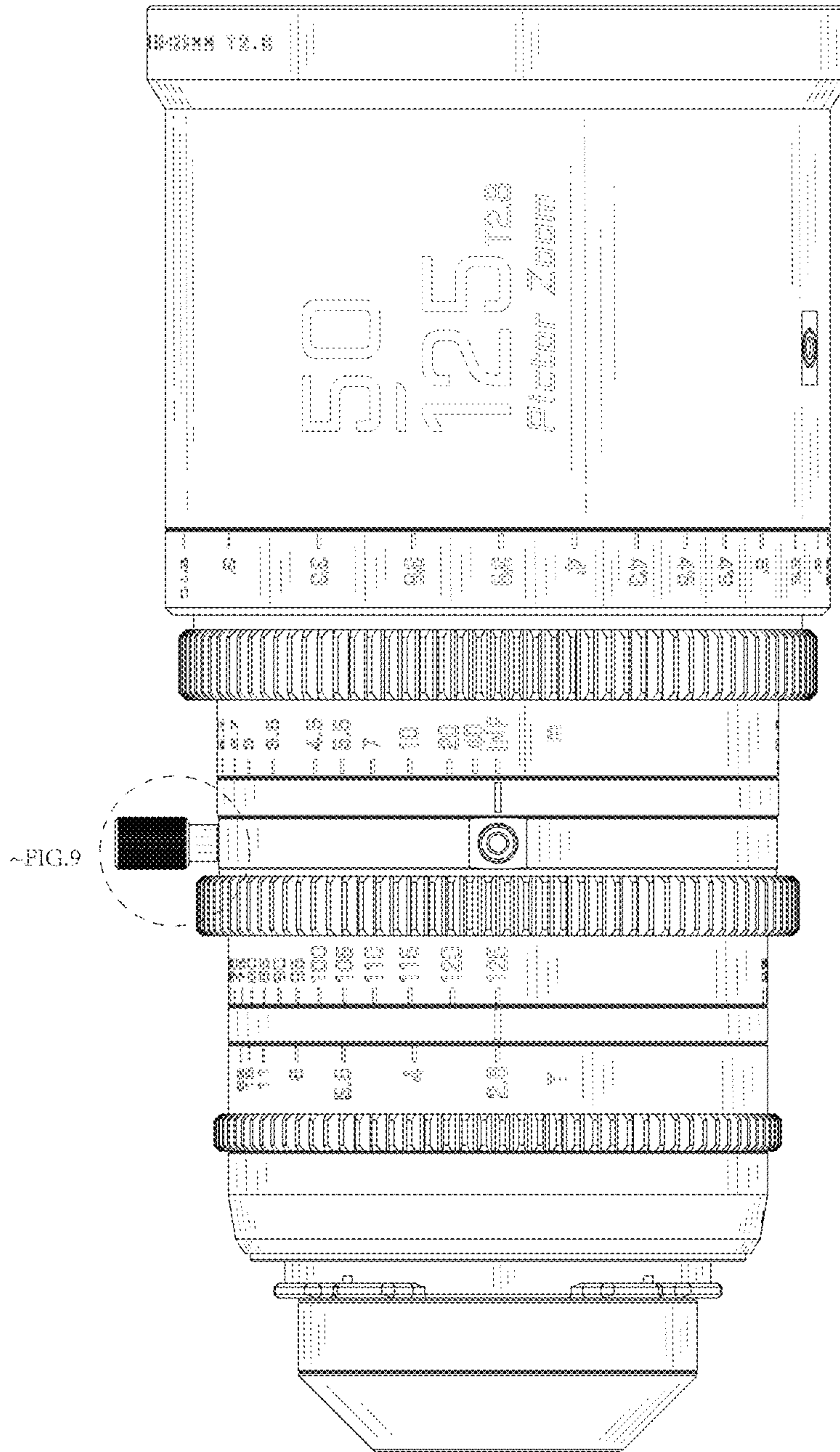


FIG.3

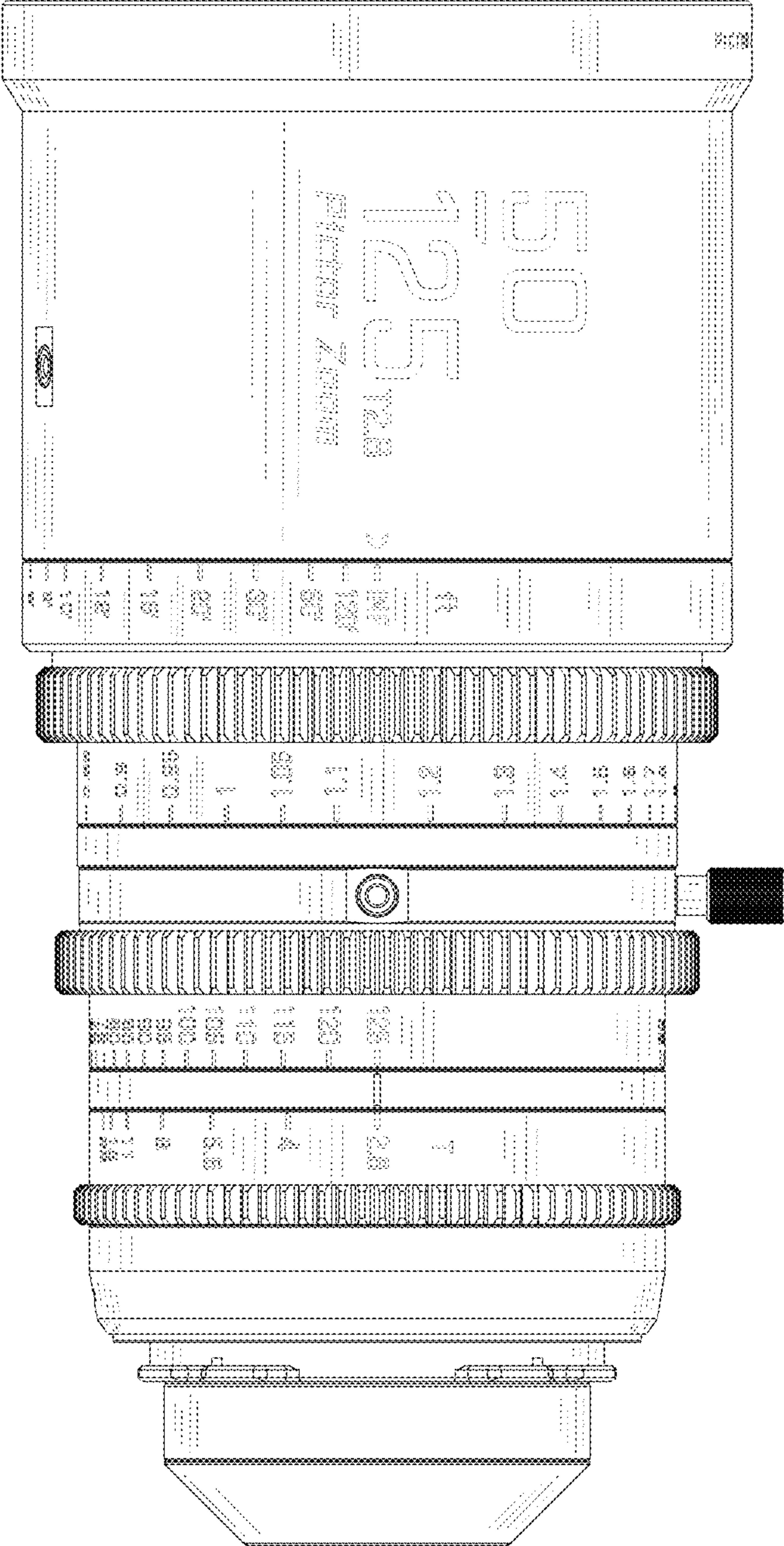


FIG.4

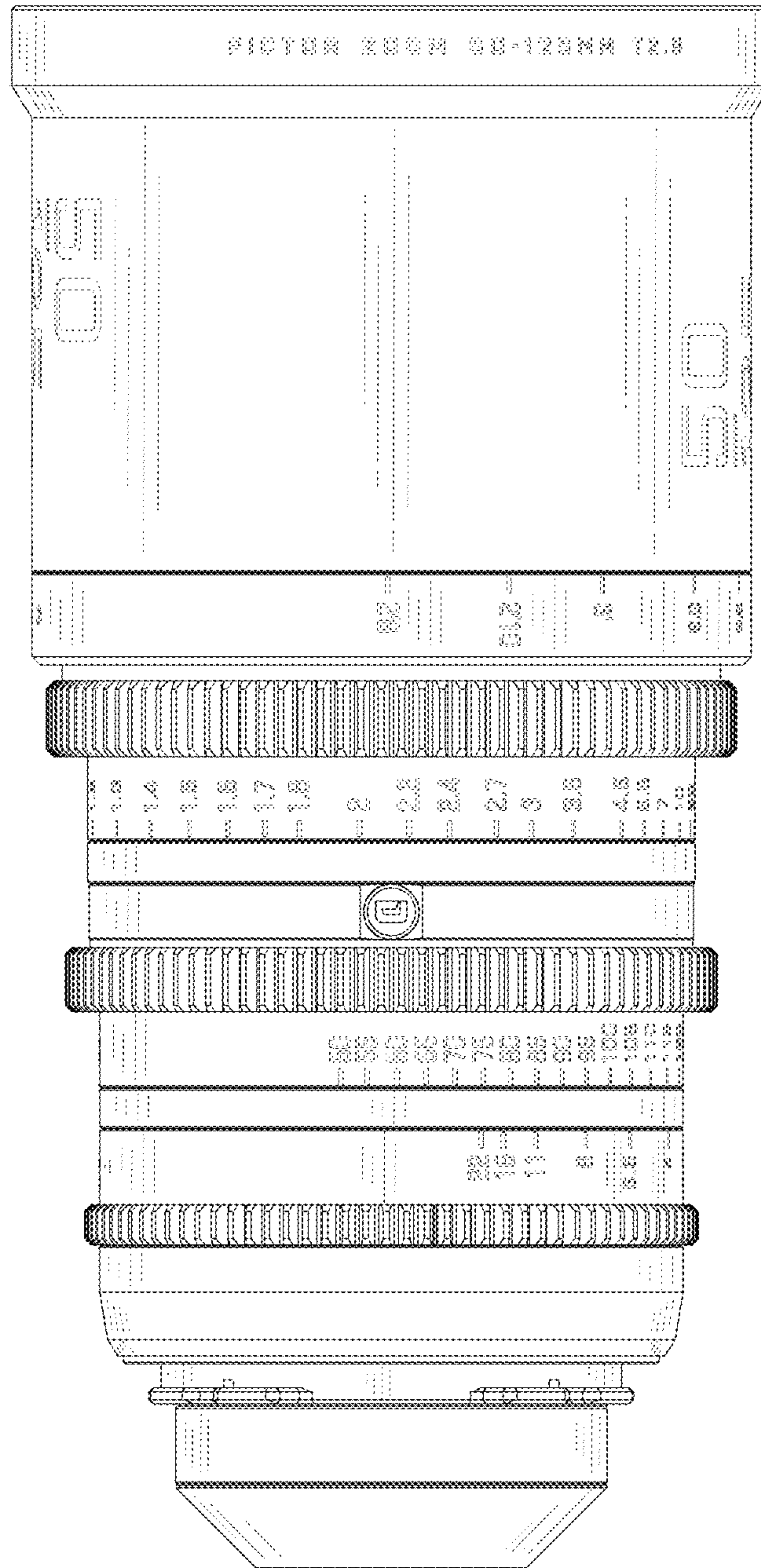


FIG.5

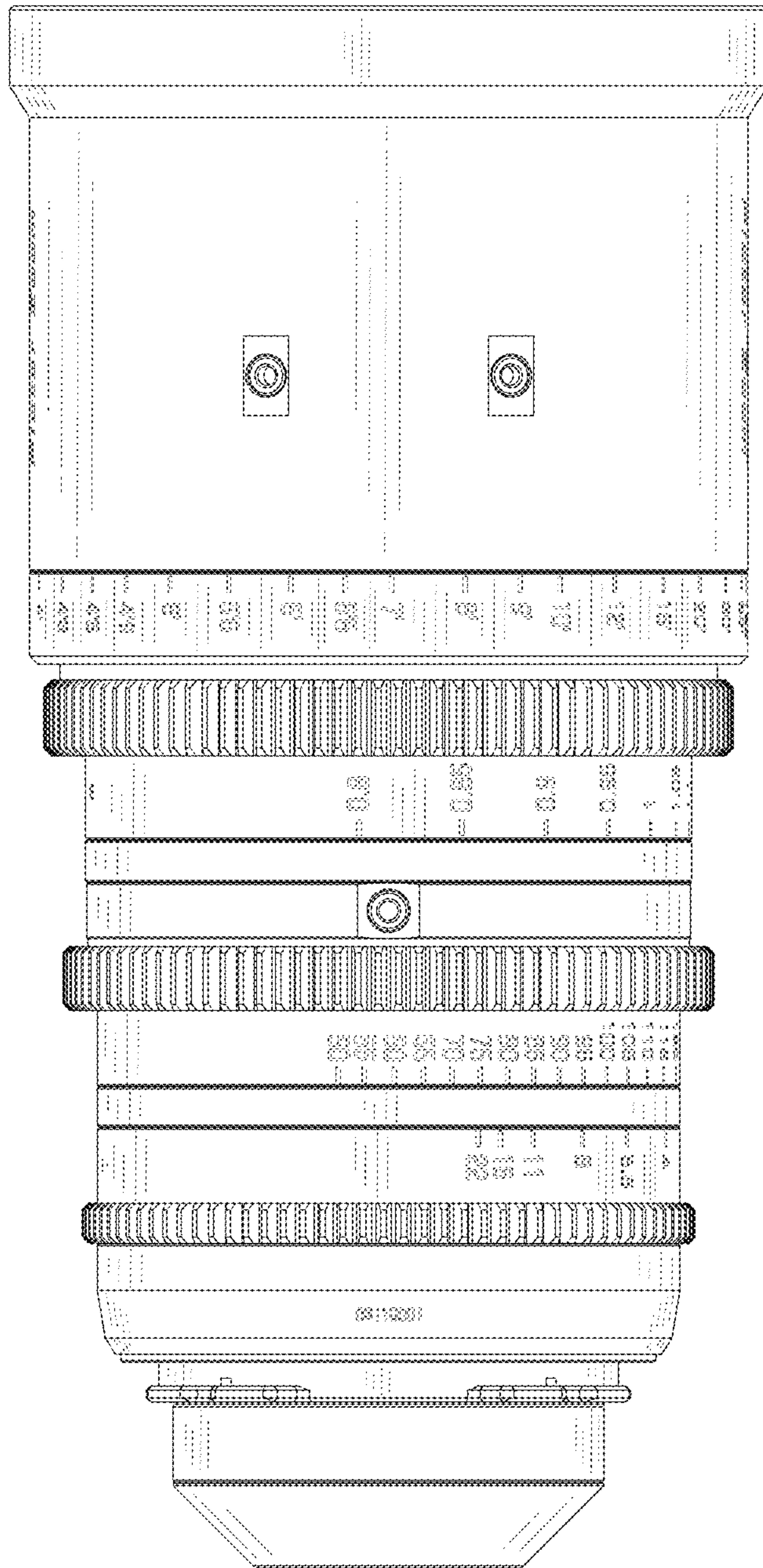


FIG.6

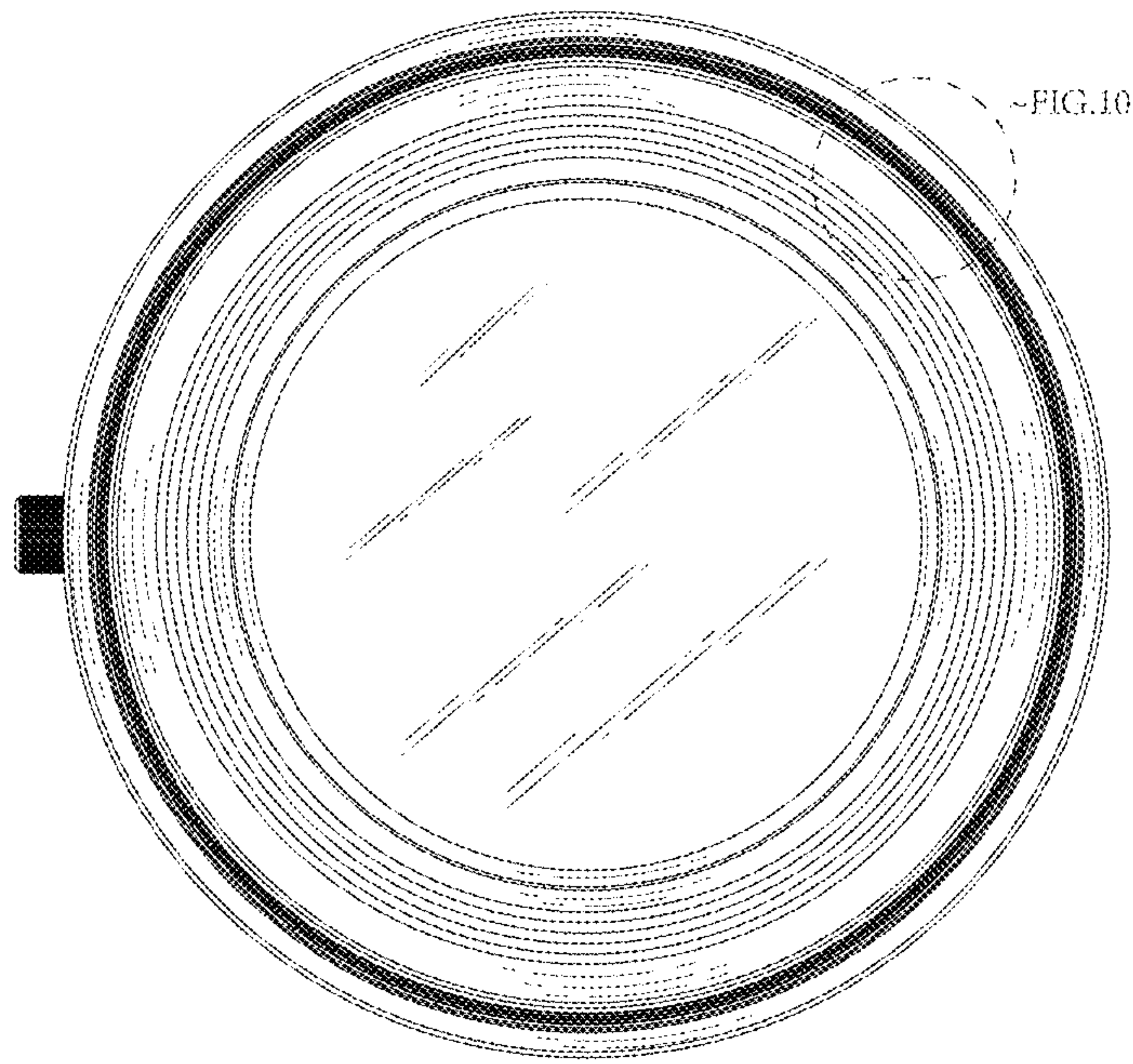


FIG. 7

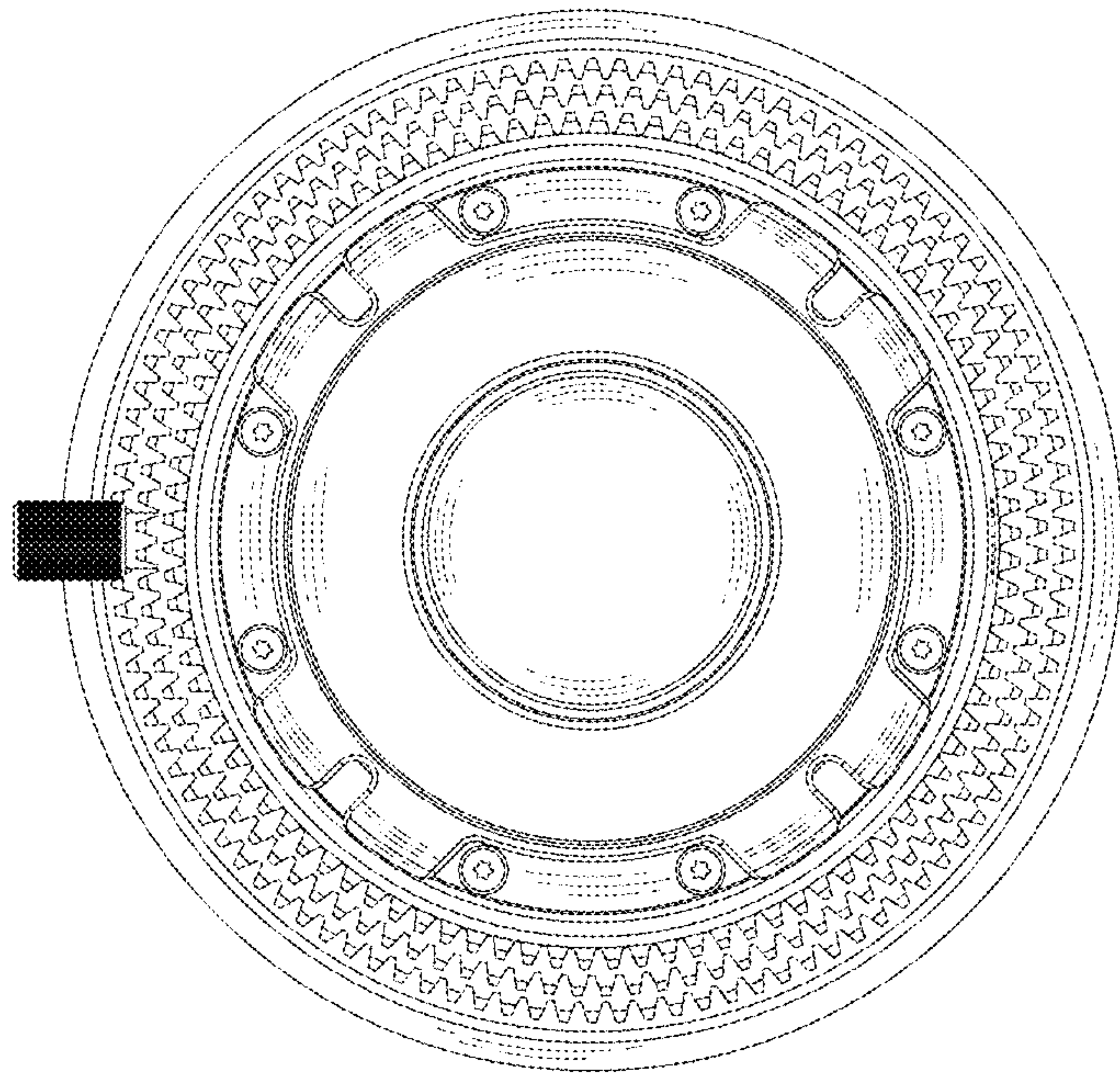


FIG. 8

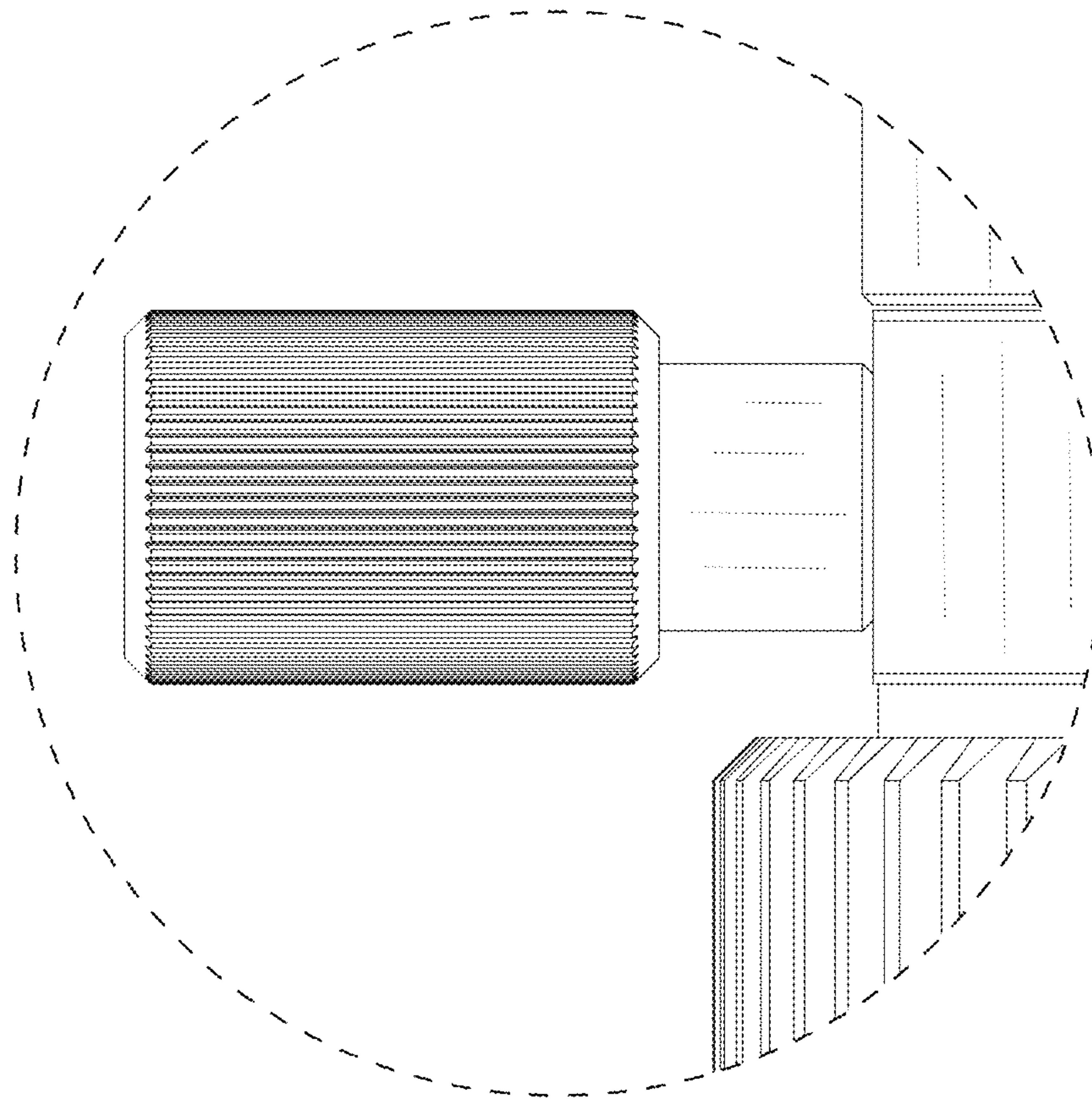


FIG. 9

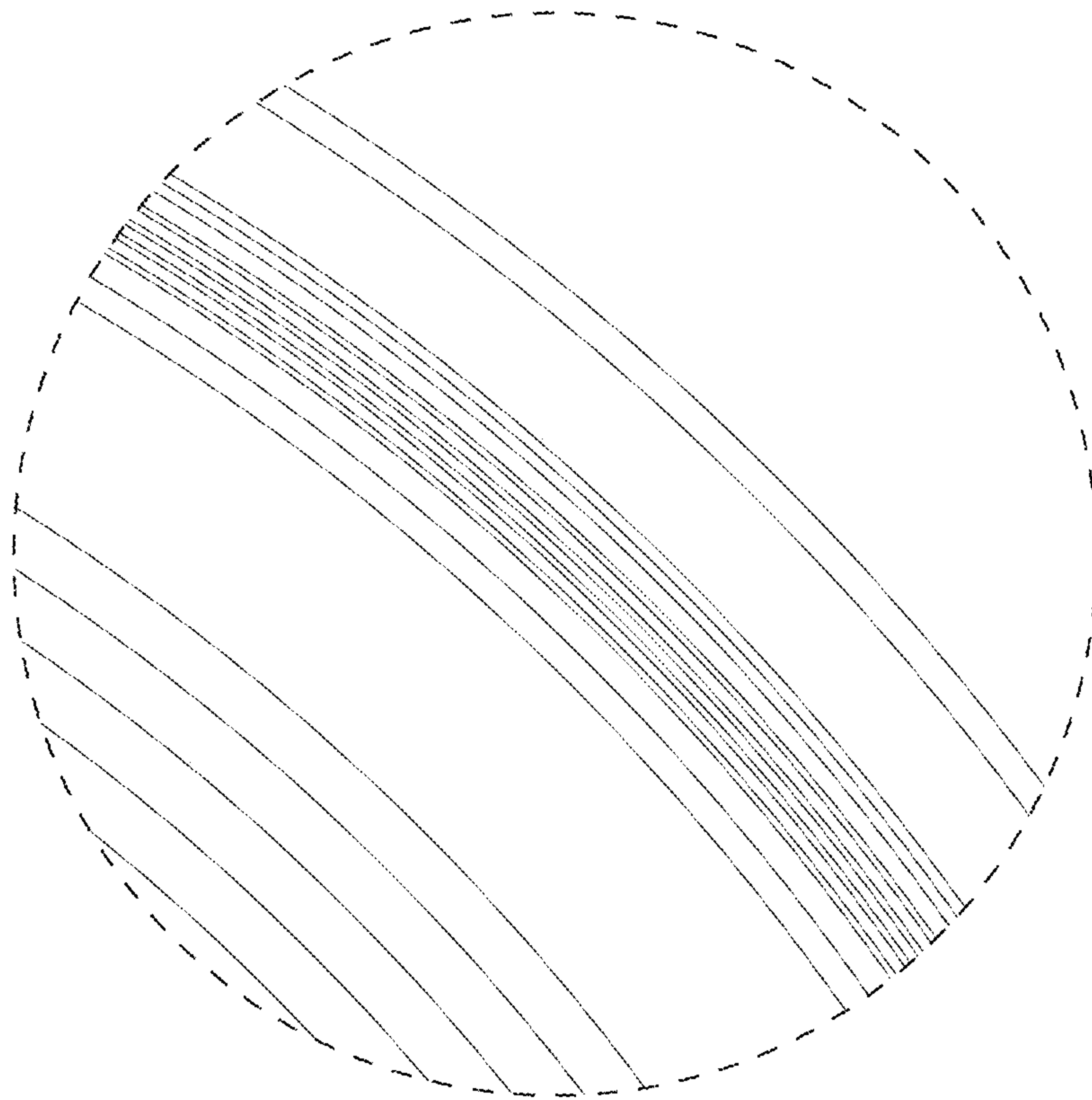


FIG. 10