



US00D982063S

(12) **United States Design Patent**
Jiang

(10) **Patent No.:** **US D982,063 S**
(45) **Date of Patent:** **** Mar. 28, 2023**

(54) **GIMBAL CAMERA**

FOREIGN PATENT DOCUMENTS

(71) Applicant: **AUTEL ROBOTICS CO., LTD.**,
Guangdong (CN)

FR 004005650-0001 * 6/2017
GB 9007930680-0001 * 5/2020

(72) Inventor: **Juntian Jiang**, Guangdong (CN)

OTHER PUBLICATIONS

(73) Assignee: **AUTEL ROBOTICS CO., LTD.**,
Guangdong (CN)

Autel Robotics, Evo II 8K Gimbal Camera. earliest date available unknown, [online], [site visited Jul. 14, 2022] Available from Internet, <URL: https://www.autelpilot.com/products/autel-robotics-evo-ii-8k-gimbal-camera?pr_prod_strat=description&pr_rec_id=ecf66f6c4&pr_rec_pid=45410958094974&pr_ref_pid=4541086695470&pr_seq=uniform> (Year: 2022).*

(**) Term: **15 Years**

(21) Appl. No.: **29/734,706**

B&H, Yuneec E90 3 Axis Stabilization Camera, earliest date available unknown, [online], [site visited Jul. 18, 2022] Available from Internet, <URL: https://www.bhphotovideo.com/c/product/1488312-REG/yuneec_yune90us_r_e90_3_axis_stabilization_camera.html> (Year: 2022).*

(22) Filed: **May 14, 2020**

(30) **Foreign Application Priority Data**

Nov. 14, 2019 (CN) 201930627712.X

(51) **LOC (14) Cl.** **16-01**

(52) **U.S. Cl.**
USPC **D16/218; D16/202**

(58) **Field of Classification Search**
USPC D16/200, 202, 203, 205, 208, 218, 225,
D16/235; D14/130, 132, 144, 203, 1,
D14/203.8, 209.1; D10/104.1, 104.2,
D10/106.1, 106.5

CPC G03B 17/02; G03B 17/561; G03B 17/563;
G03B 15/006; H04N 5/23264; H04N
5/23299; H04N 5/23251; H04N 2101/00

See application file for complete search history.

* cited by examiner

Primary Examiner — Sanjeev Paul
Assistant Examiner — Breana Copeland

(57) **CLAIM**

I claim the ornamental design for a gimbal camera, as shown and described.

DESCRIPTION

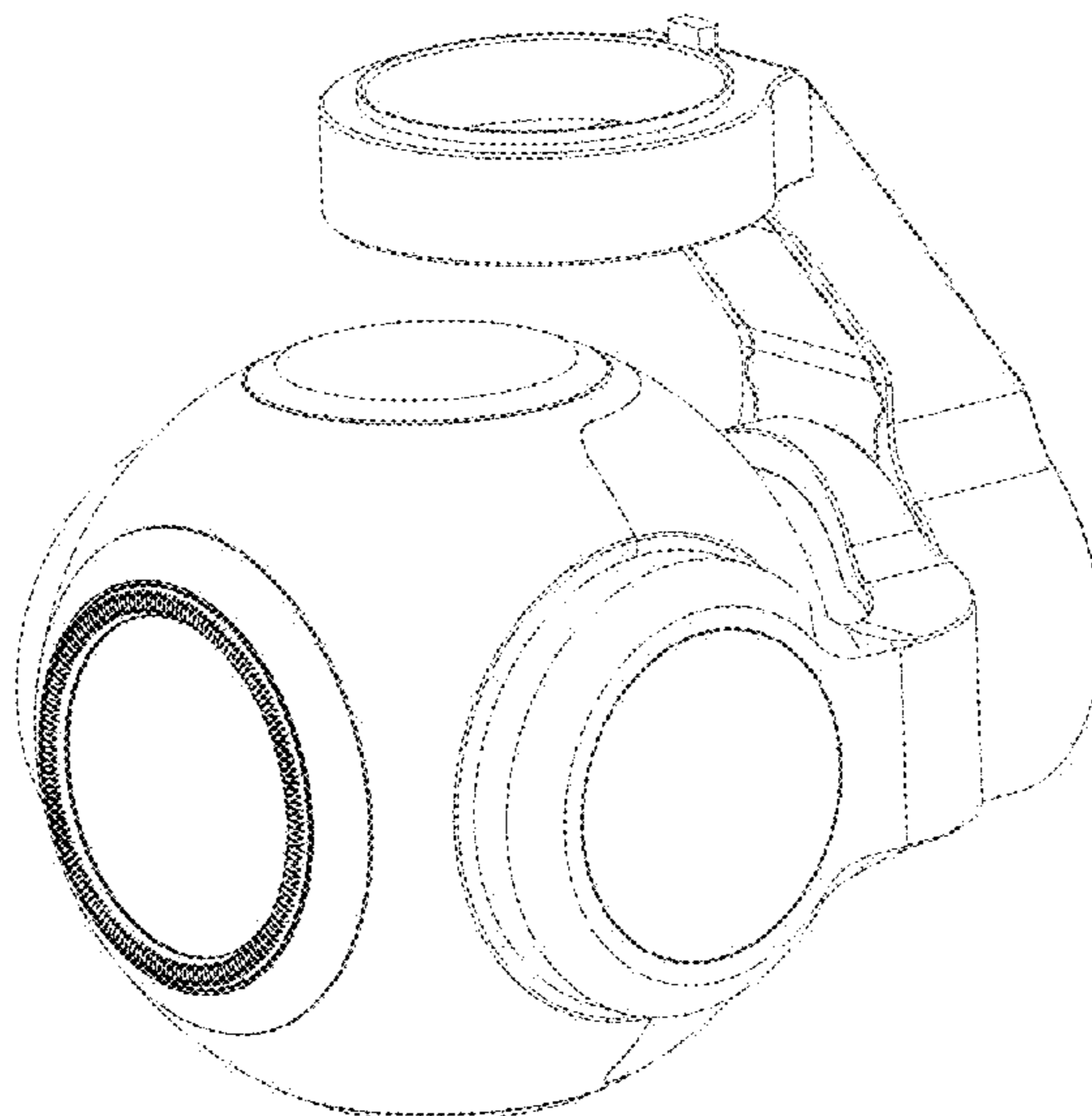
FIG. 1 is a front elevational view of a gimbal device showing my new design;
FIG. 2 is a back elevational view thereof;
FIG. 3 is a left side elevational view thereof;
FIG. 4 is a right side elevational view thereof;
FIG. 5 is a top plan view thereof;
FIG. 6 is a bottom plan view thereof; and,
FIG. 7 is a perspective view thereof.

1 Claim, 7 Drawing Sheets

(56) **References Cited**

U.S. PATENT DOCUMENTS

D738,951 S * 9/2015 Coyle D16/237
D819,714 S * 6/2018 Luo D16/202
D827,698 S * 9/2018 Zhang D16/242
D928,218 S * 8/2021 Liu D16/218
D939,010 S * 12/2021 Liu D16/202
2017/0174362 A1 * 6/2017 Zhao B64C 39/024



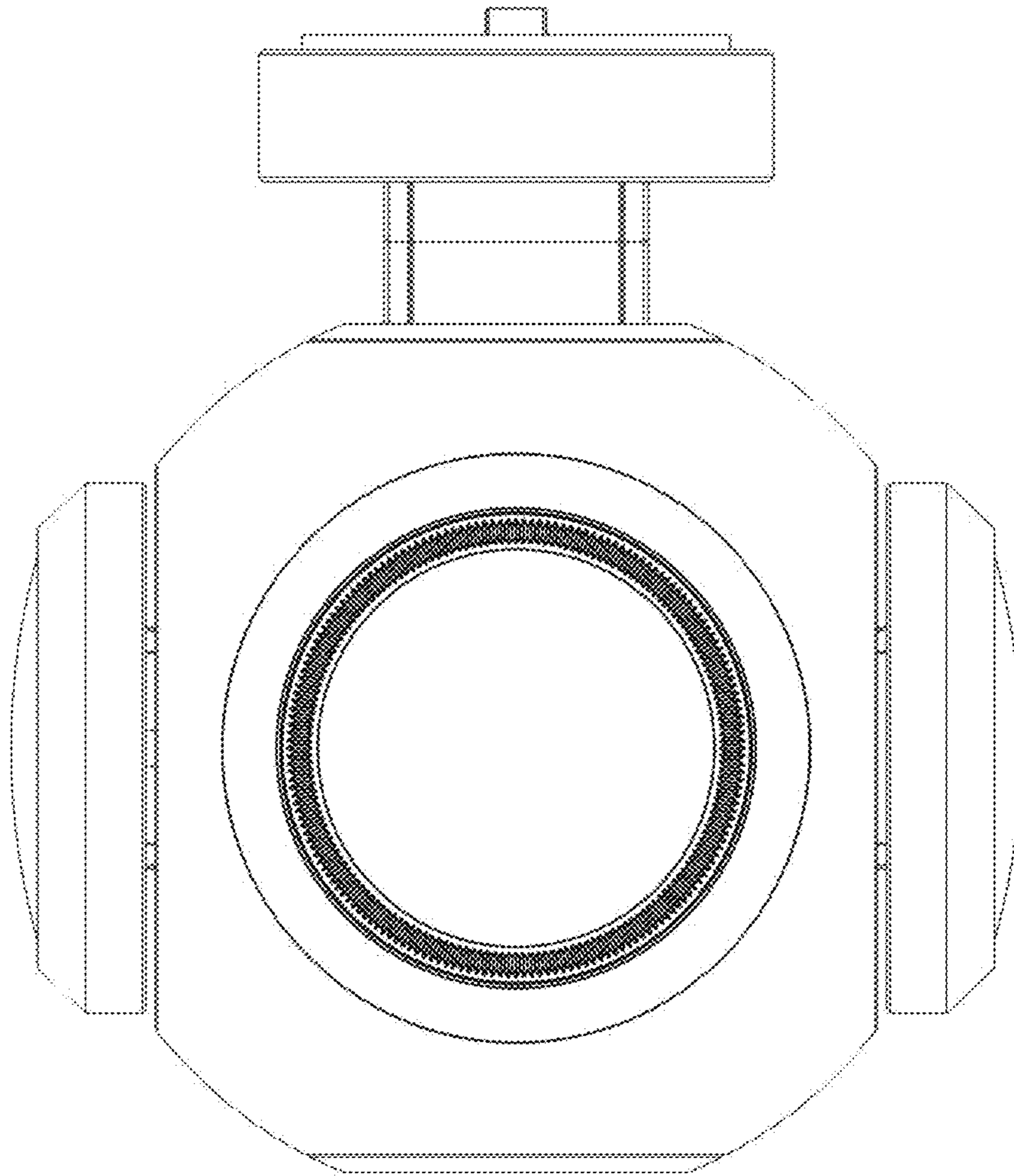


Fig. 1

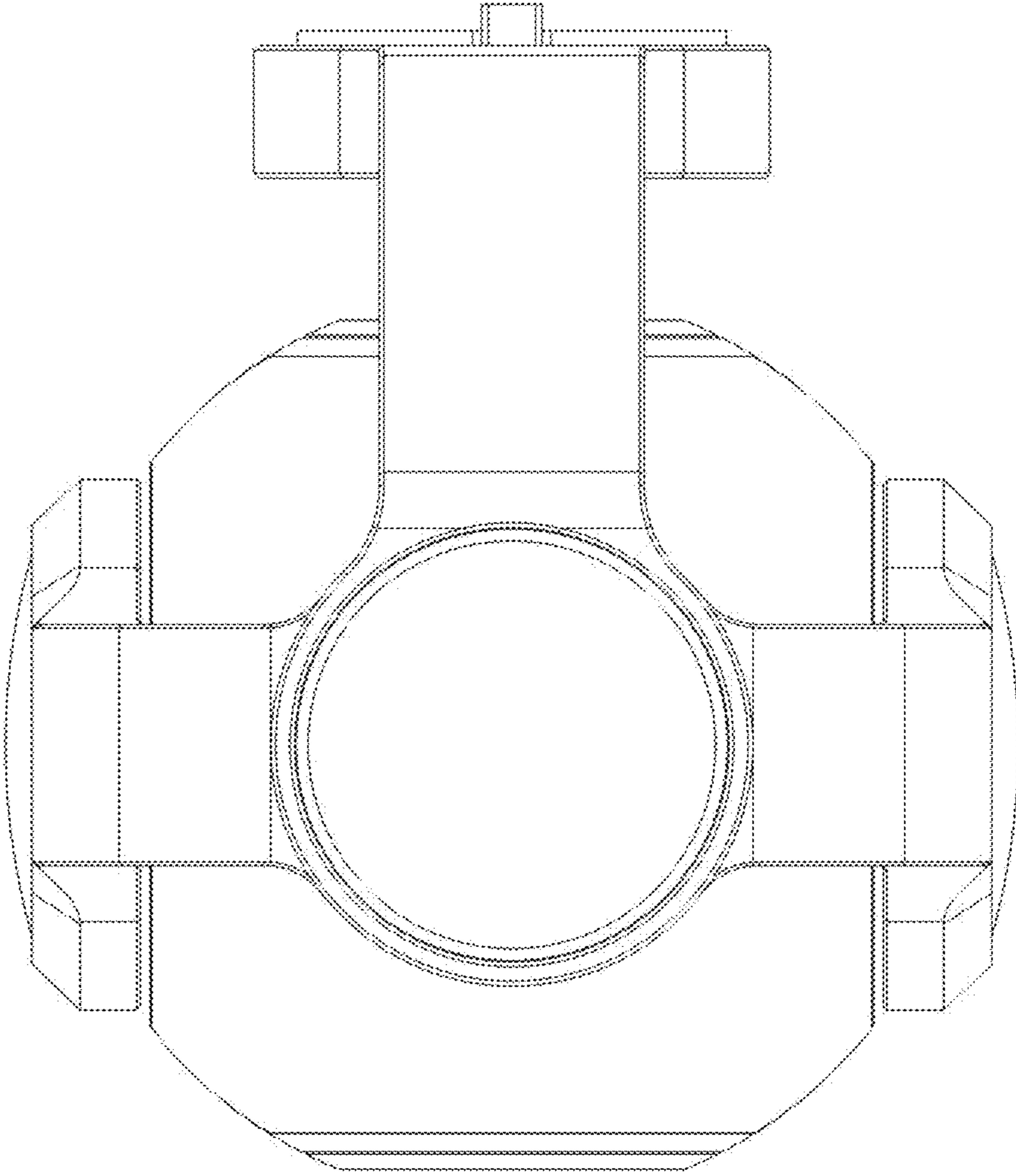


Fig. 2

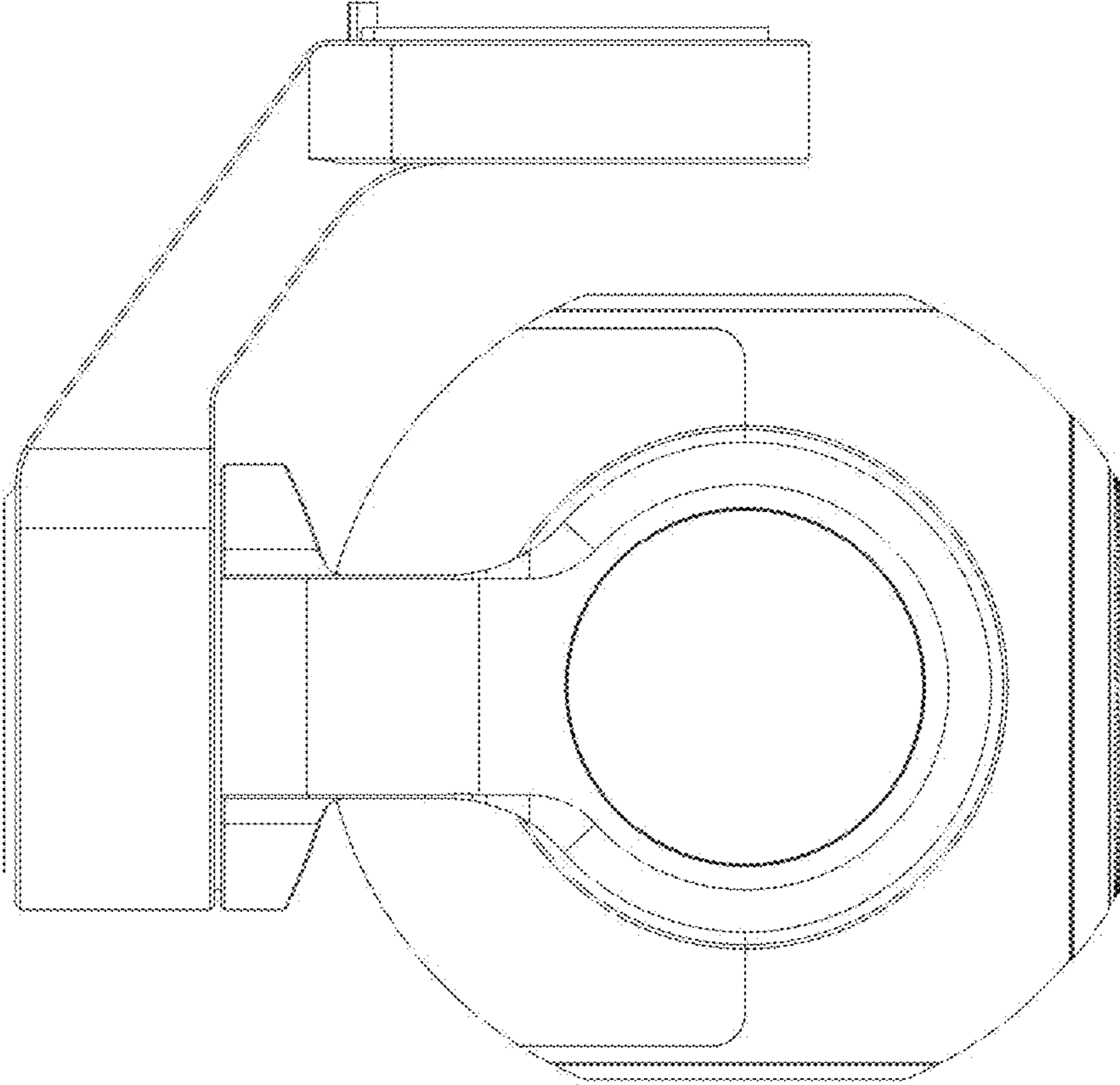


Fig. 3

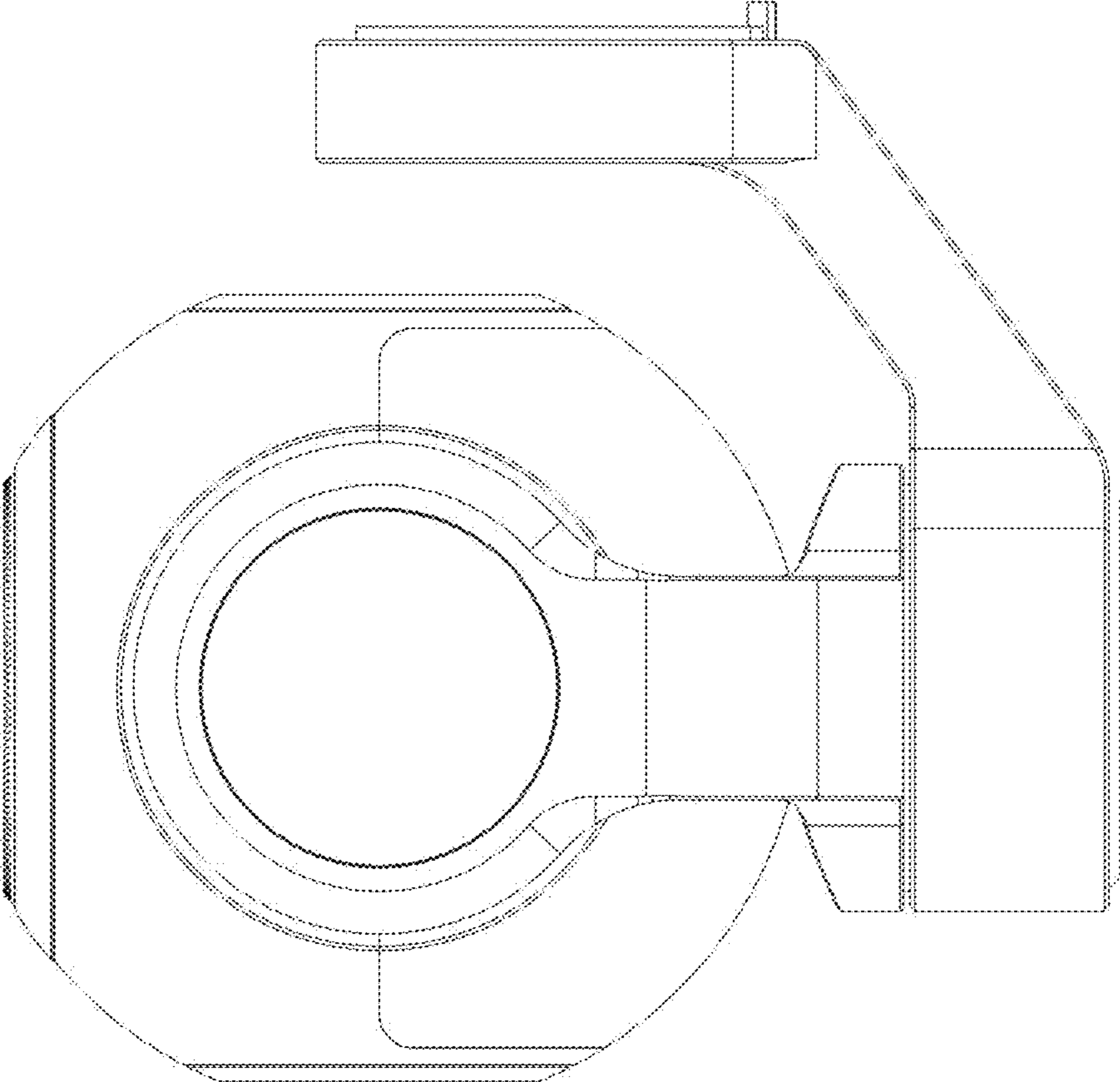


Fig. 4

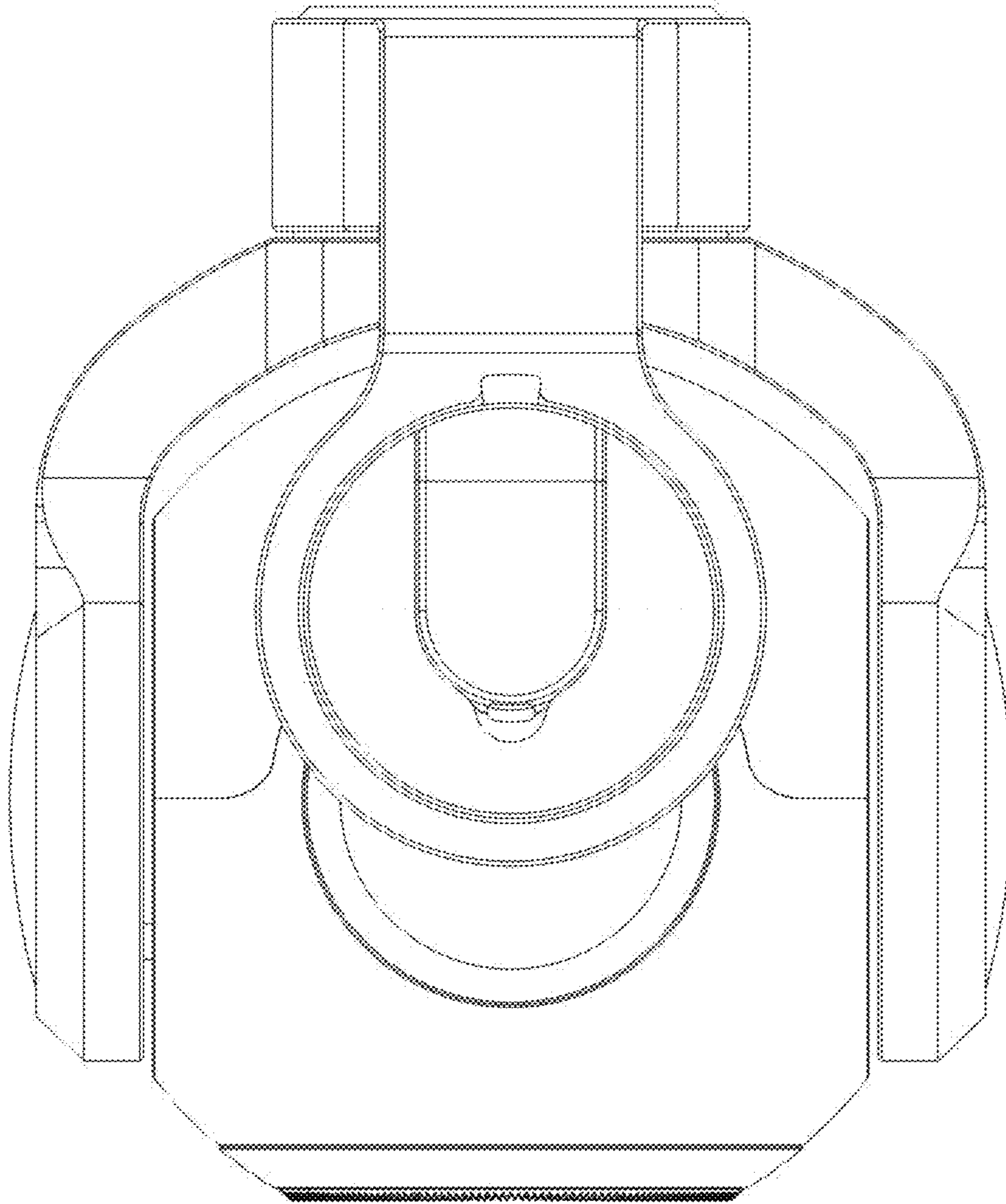


Fig. 5

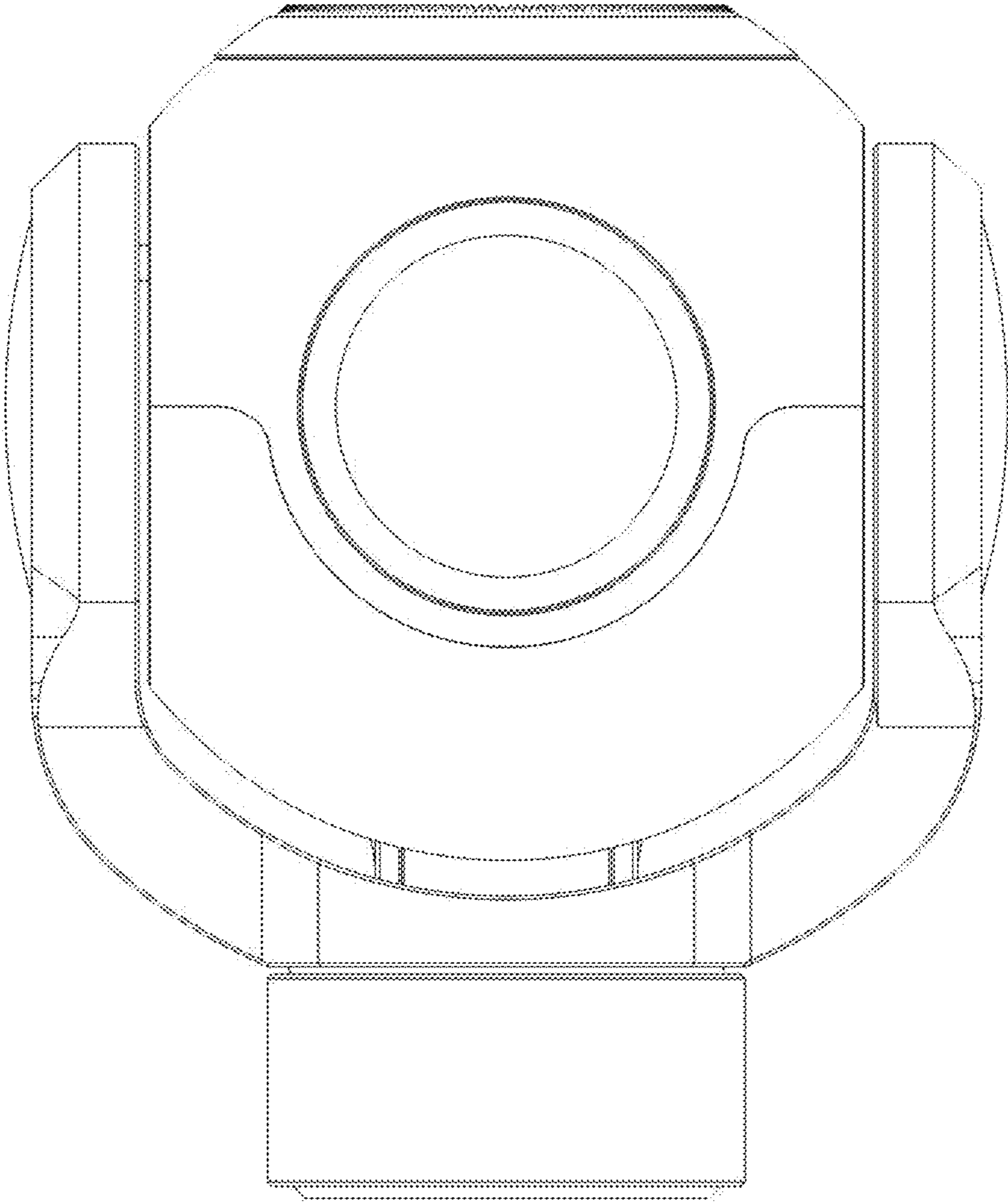


Fig. 6

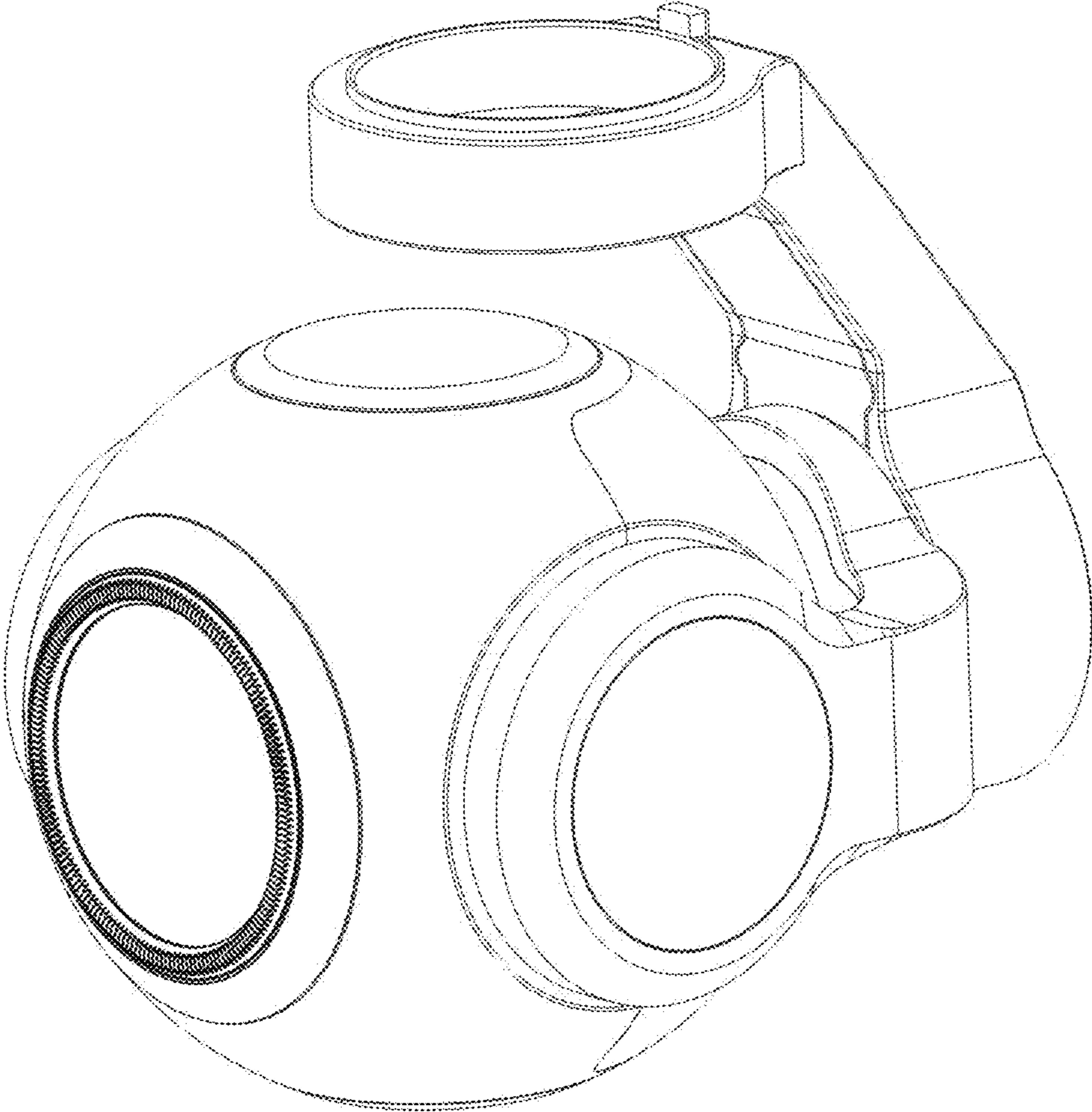


Fig. 7