



US00D982061S

(12) **United States Design Patent** (10) **Patent No.:** **US D982,061 S**  
**Lin** (45) **Date of Patent:** **\*\* Mar. 28, 2023**

(54) **VEHICLE MONITORING APPARATUS**

(71) Applicant: **Weihua Lin**, Fujian (CN)

(72) Inventor: **Weihua Lin**, Fujian (CN)

(\*\*) Term: **15 Years**

(21) Appl. No.: **29/794,104**

(22) Filed: **Jun. 10, 2021**

(51) **LOC (14) Cl.** ..... **16-01**

(52) **U.S. Cl.**  
USPC ..... **D16/203**

(58) **Field of Classification Search**  
USPC ... D10/52, 15, 57, 50, 104.1, 62, 64, 66, 70,  
D10/65  
CPC ..... B60R 11/0235  
See application file for complete search history.

(56) **References Cited**

**U.S. PATENT DOCUMENTS**

|                   |         |            |       |                         |
|-------------------|---------|------------|-------|-------------------------|
| D422,924 S *      | 4/2000  | Bendinelli | ..... | D10/65                  |
| D445,043 S *      | 7/2001  | Bendinelli | ..... | D10/65                  |
| D447,708 S *      | 9/2001  | Fischer    | ..... | D10/65                  |
| D487,023 S *      | 2/2004  | Takahashi  | ..... | D10/65                  |
| D536,630 S *      | 2/2007  | Li         | ..... | D10/70                  |
| D564,374 S *      | 3/2008  | Wada       | ..... | D10/65                  |
| D574,739 S *      | 8/2008  | Lee        | ..... | D10/65                  |
| D578,115 S *      | 10/2008 | Brignull   | ..... | D14/239                 |
| D581,818 S *      | 12/2008 | Gretton    | ..... | D10/65                  |
| D591,183 S *      | 4/2009  | Gretton    | ..... | D10/65                  |
| D591,184 S *      | 4/2009  | Gretton    | ..... | D10/65                  |
| D593,881 S *      | 6/2009  | Endo       | ..... | D10/65                  |
| D639,780 S *      | 6/2011  | Knafou     | ..... | D10/65                  |
| D648,233 S *      | 11/2011 | Lenz       | ..... | D10/65                  |
| D720,244 S *      | 12/2014 | Dempsey    | ..... | D10/70                  |
| D733,595 S *      | 7/2015  | Hoshino    | ..... | D10/70                  |
| D808,829 S *      | 1/2018  | Dempsey    | ..... | D10/65                  |
| D815,550 S *      | 4/2018  | Masuyama   | ..... | D10/70                  |
| D920,142 S *      | 5/2021  | Xu         | ..... | D10/65                  |
| 2003/0042378 A1 * | 3/2003  | Imamura    | ..... | B60N 2/90<br>361/679.06 |

|                   |        |           |       |                         |
|-------------------|--------|-----------|-------|-------------------------|
| 2003/0137584 A1 * | 7/2003 | Norvell   | ..... | G06F 1/1601<br>348/148  |
| 2004/0090525 A1 * | 5/2004 | Eichmann  | ..... | B60R 1/00<br>348/E7.086 |
| 2006/0175882 A1 * | 8/2006 | Schweizer | ..... | B60N 3/004<br>297/146   |

(Continued)

**OTHER PUBLICATIONS**

Feisike Baby Car Mirror Baby Car Camera for the Back Seat, Amazon date first available Mar. 18, 2021, (online) URL: <https://www.amazon.com/Baby-Car-Mirror-Baby-Car-Camera-Back-Seat-Suitable-Families/dp/B08ZCWJDSC> (Year: 2021).\*

(Continued)

*Primary Examiner* — Nicole C Shiflet  
*Assistant Examiner* — Antoinette Martine Suiter  
(74) *Attorney, Agent, or Firm* — ScienBiziP, P.C.

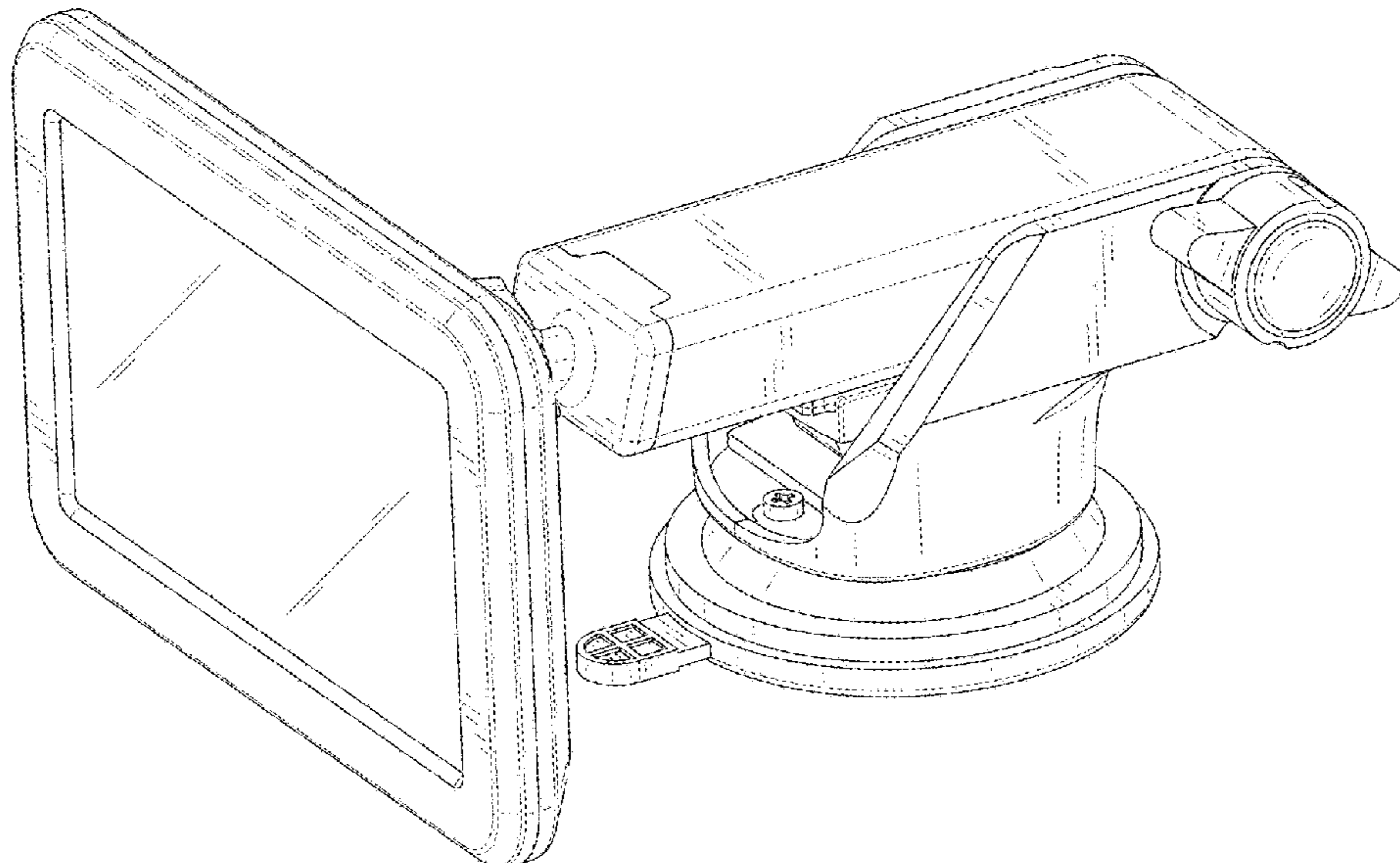
(57) **CLAIM**

The ornamental design for a vehicle monitoring apparatus, as shown and described.

**DESCRIPTION**

FIG. 1 is a front, left, and top perspective view of a vehicle monitoring apparatus, showing my design.  
FIG. 2 is a rear, right, and bottom perspective view thereof.  
FIG. 3 is a front elevation view thereof.  
FIG. 4 is a rear elevation view thereof.  
FIG. 5 is a left side elevation view thereof.  
FIG. 6 is a right side elevation view thereof.  
FIG. 7 is a top plan view thereof; and,  
FIG. 8 is a bottom plan view thereof.  
The broken lines shown in the drawings are included for the purpose of illustrating portions of the vehicle monitoring apparatus that form no part of the claimed design.

**1 Claim, 8 Drawing Sheets**



(56)

**References Cited**

U.S. PATENT DOCUMENTS

2006/0249632 A1\* 11/2006 McKelvey ..... B60R 11/02  
224/539  
2007/0040076 A1\* 2/2007 Chang ..... F16M 11/18  
248/122.1  
2013/0025393 A1\* 1/2013 Lee ..... F16M 11/046  
74/411

OTHER PUBLICATIONS

Itomoro Baby Car Mirror, Back Seat Baby Car Camera with HD Night Vision Function Car Mirror Display, Amazon, date first available, Dec. 31, 2020, (online) URL: <https://www.amazon.com/Itomoro-Function-Display-Reusable-Cigarette/dp/B08RS67RQJ?th=1> (Year: 2020).\*

\* cited by examiner

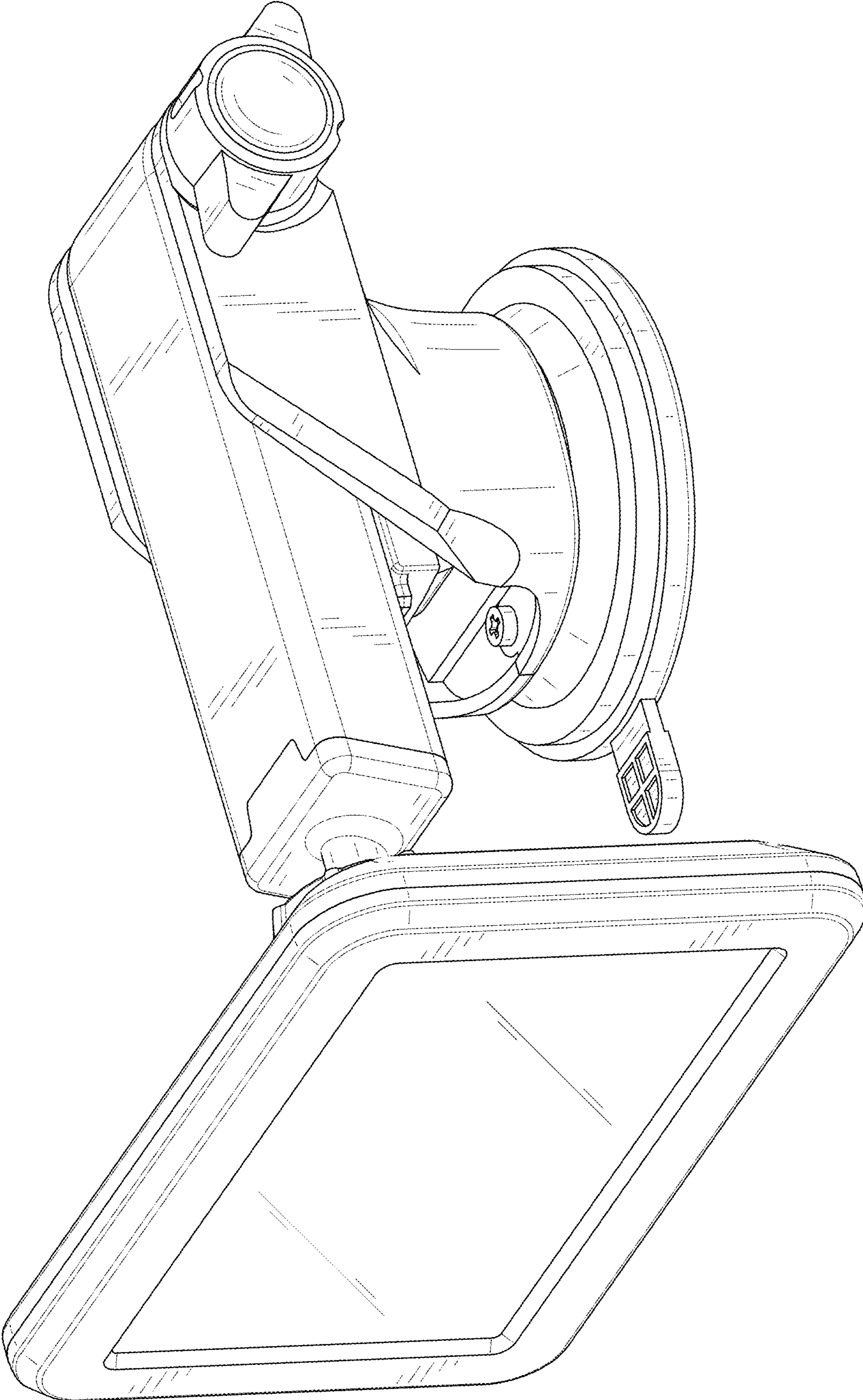


FIG. 1

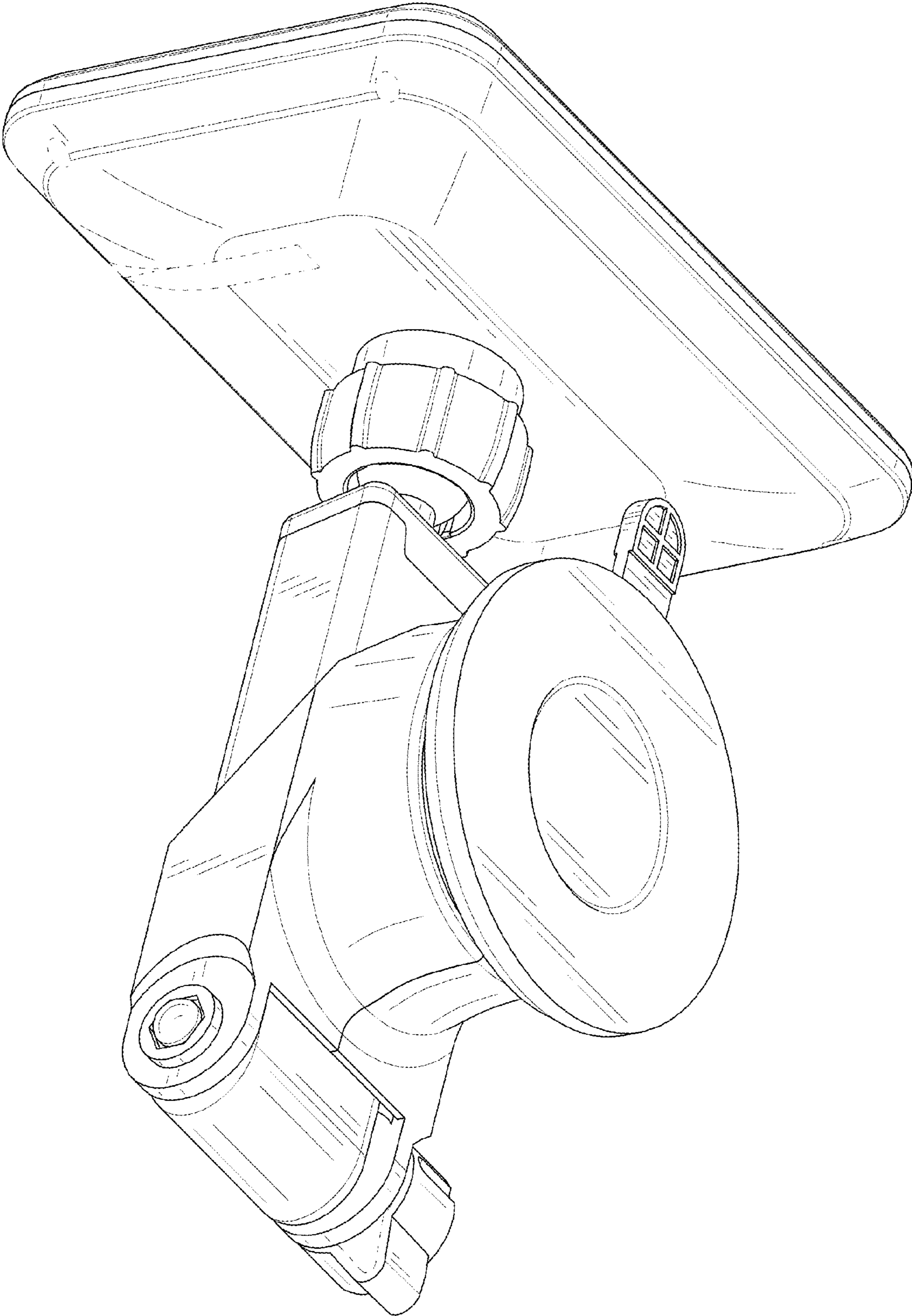


FIG. 2

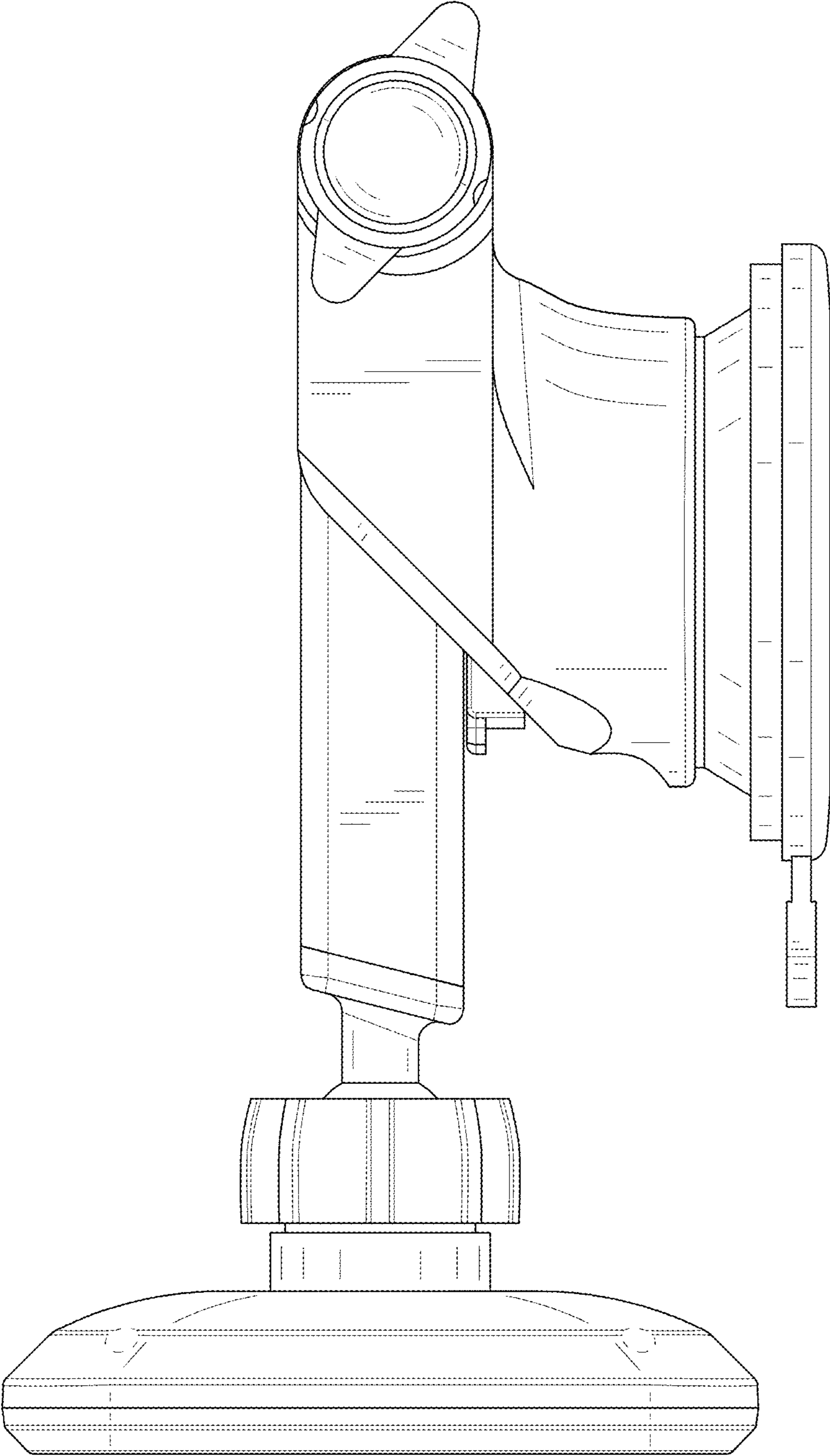


FIG. 3

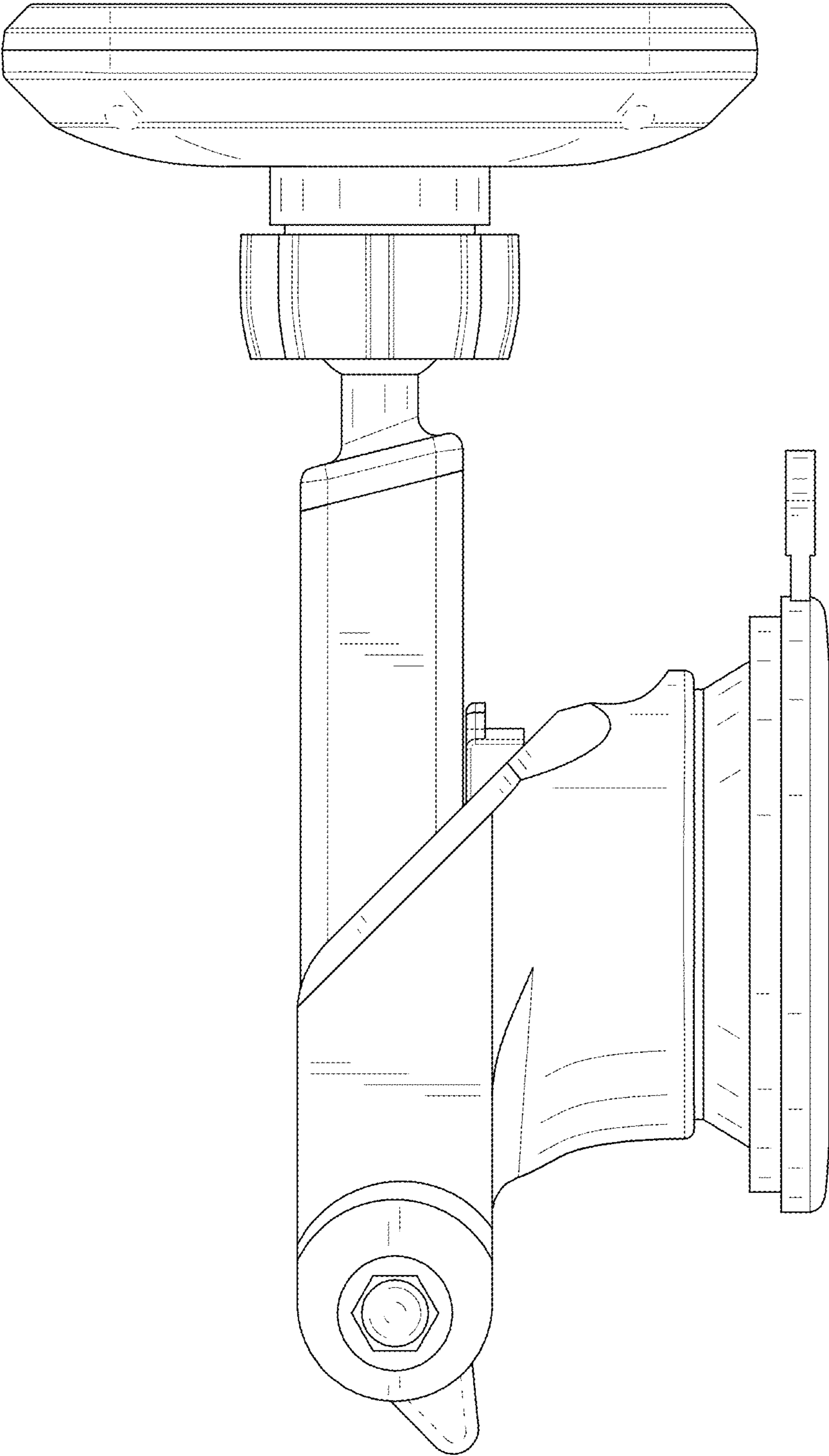


FIG. 4

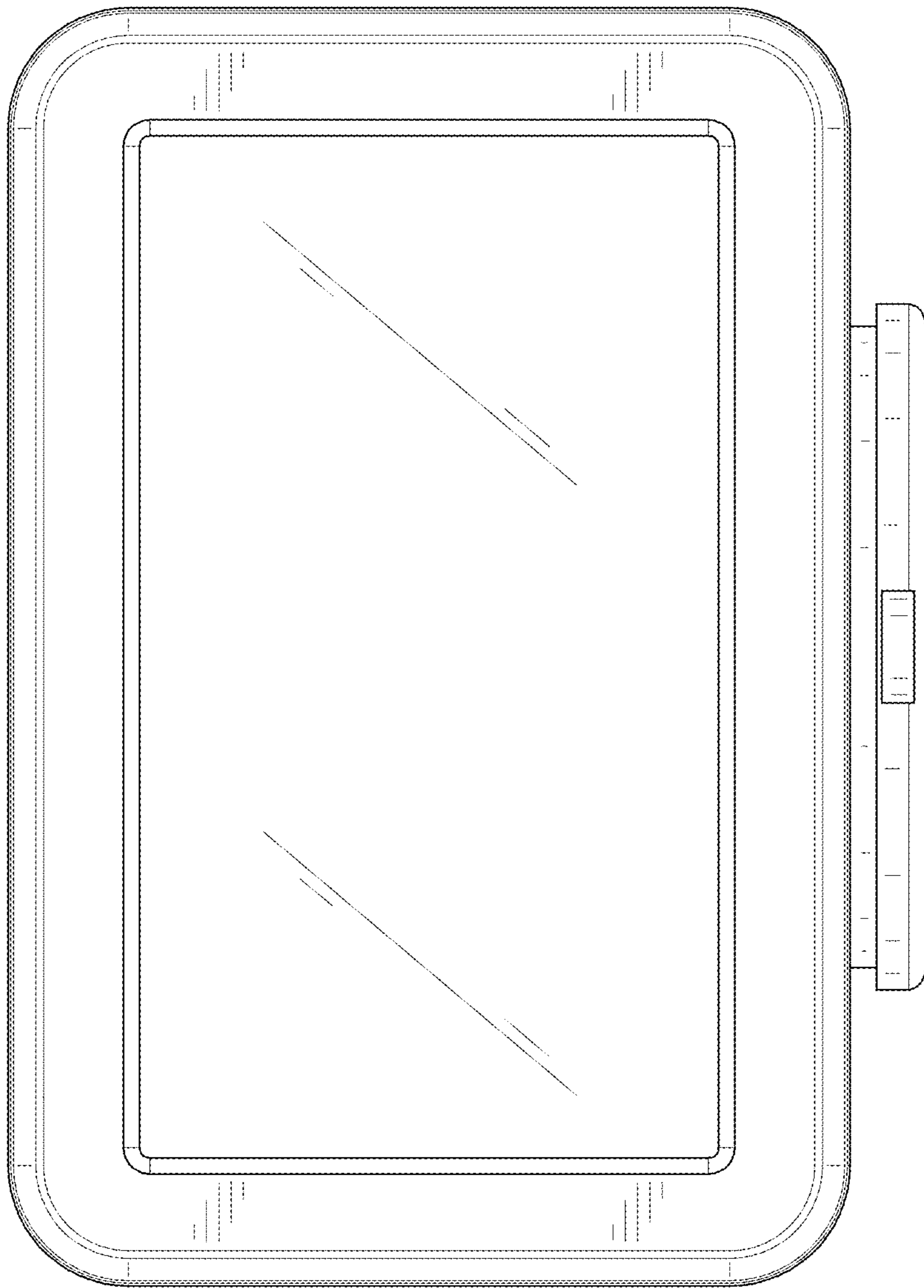


FIG. 5

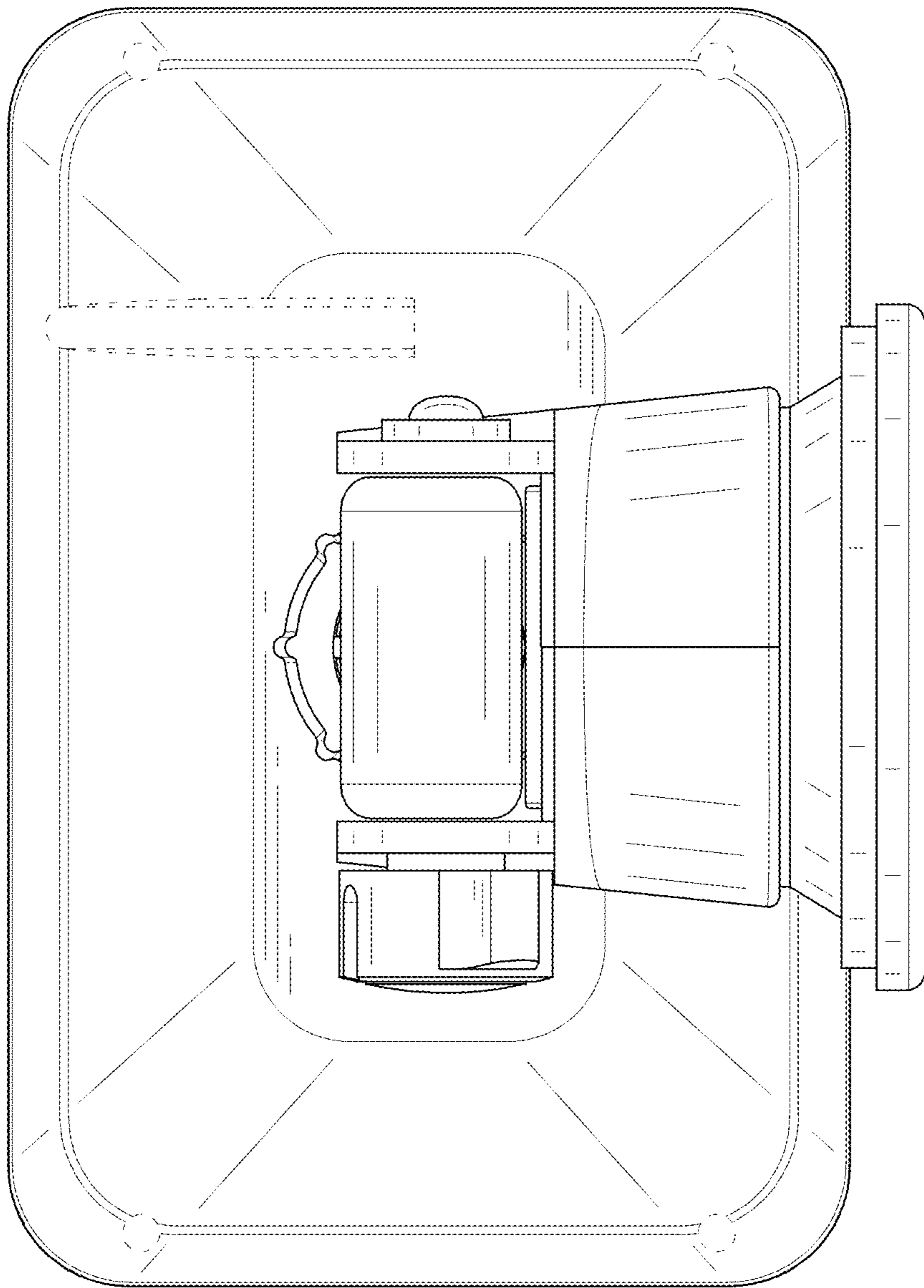


FIG. 6



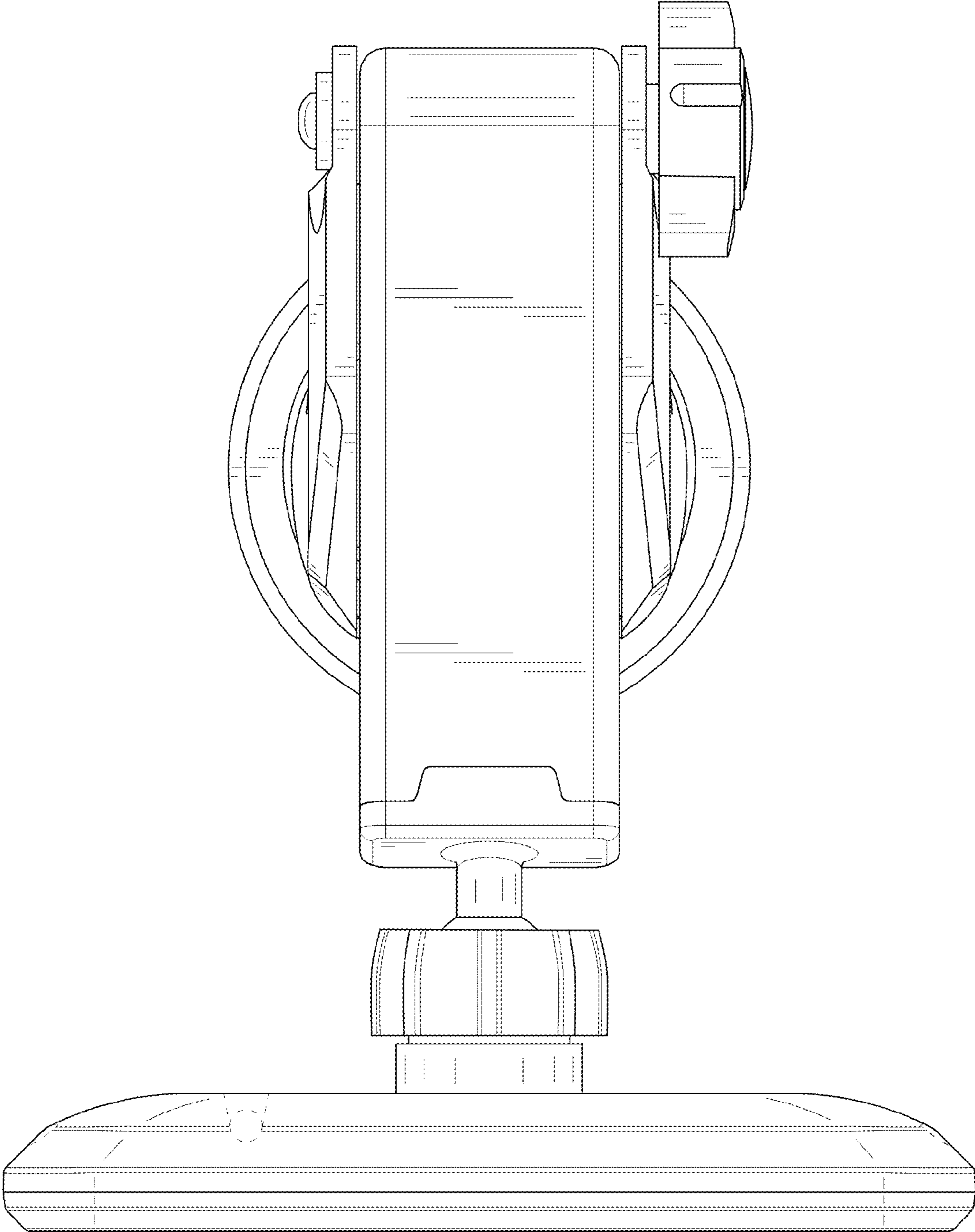


FIG. 7

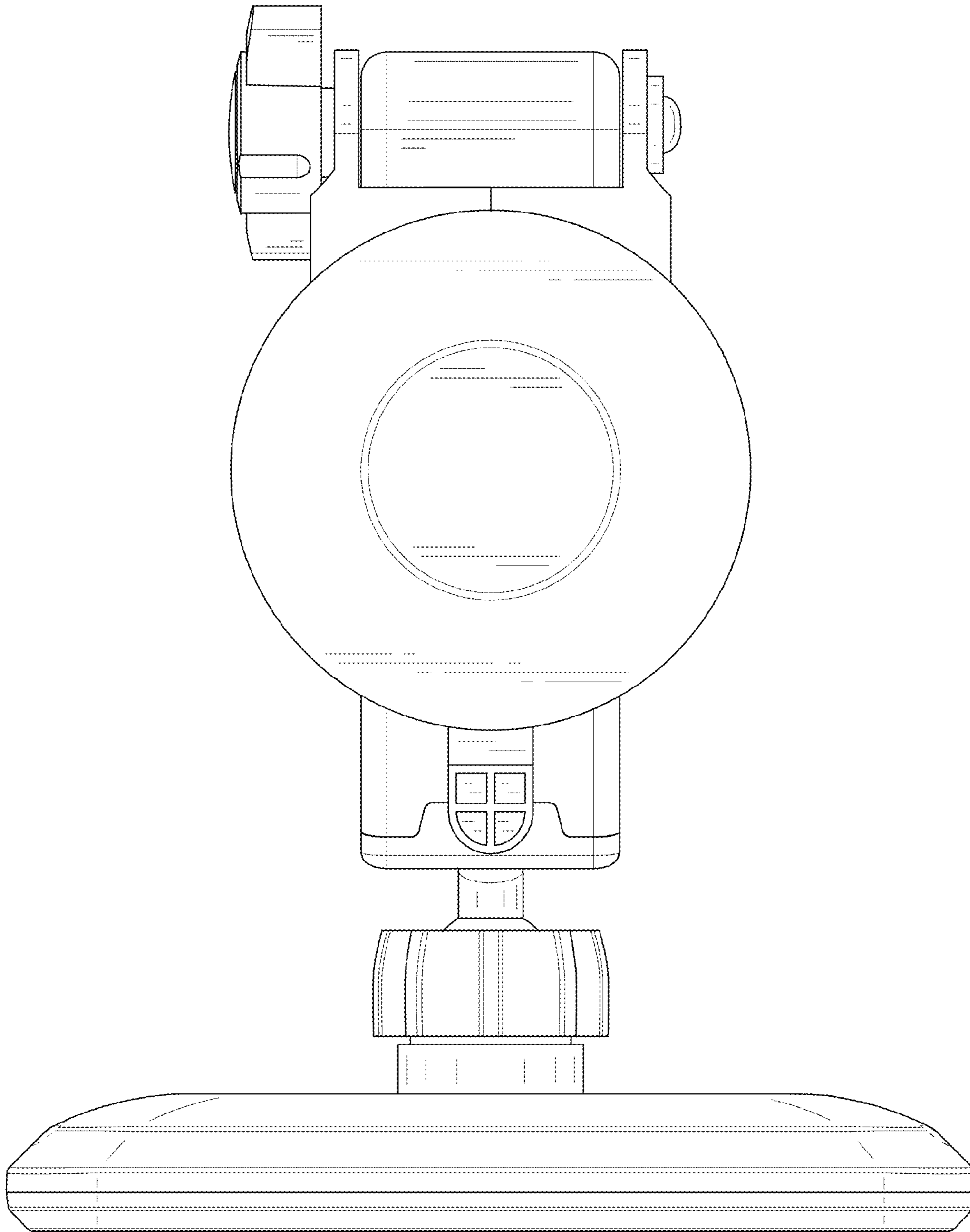


FIG. 8