



US00D982060S

(12) **United States Design Patent**  
**Imai**

(10) **Patent No.:** **US D982,060 S**  
(45) **Date of Patent:** **\*\* Mar. 28, 2023**

(54) **DIGITAL CAMERA**

(71) Applicant: **FUJIFILM Corporation**, Tokyo (JP)

(72) Inventor: **Masazumi Imai**, Saitama (JP)

(73) Assignee: **FUJIFILM Corporation**, Tokyo (JP)

(\*\*) Term: **15 Years**

(21) Appl. No.: **29/679,806**

(22) Filed: **Feb. 11, 2019**

(30) **Foreign Application Priority Data**

Aug. 31, 2018 (JP) ..... 2018-019106

(51) **LOC (14) Cl.** ..... **16-01**

(52) **U.S. Cl.**  
USPC ..... **D16/202; D16/217**

(58) **Field of Classification Search**  
USPC ..... D16/200, 202–206, 208, 209, 218, 219;  
348/294, 373–376; 359/826; 396/6, 301,  
396/529, 535, 539–541  
CPC ..... G03B 15/03; G03B 17/02; G03B 17/04;  
G03B 17/08; G03B 17/56; G03B 19/04;  
H04N 5/2251; H04N 5/2252; H04N  
5/2253; H04N 5/2254; H04N 2101/00  
See application file for complete search history.

(56) **References Cited**

**U.S. PATENT DOCUMENTS**

D528,580 S \* 9/2006 Sumita ..... D16/202  
D557,308 S \* 12/2007 Matsuda ..... D16/202

D567,835 S \* 4/2008 Sumita ..... D16/202  
D581,440 S \* 11/2008 Nakamura ..... D16/202  
D594,892 S \* 6/2009 Kamiya ..... D16/202  
D605,679 S \* 12/2009 Hayashi ..... D16/206  
D609,730 S \* 2/2010 Nakamura ..... D16/202  
D690,755 S \* 10/2013 Nikaido ..... D16/202  
D706,849 S \* 6/2014 Sakai ..... D16/202  
D842,359 S \* 3/2019 Imai ..... D16/237  
D872,163 S \* 1/2020 Imai ..... D16/219  
D873,880 S \* 1/2020 Imai ..... D16/202  
D904,481 S \* 12/2020 Imai ..... D16/202

\* cited by examiner

*Primary Examiner* — Ramzi Almatrahi

(74) *Attorney, Agent, or Firm* — Studebaker & Brackett  
PC

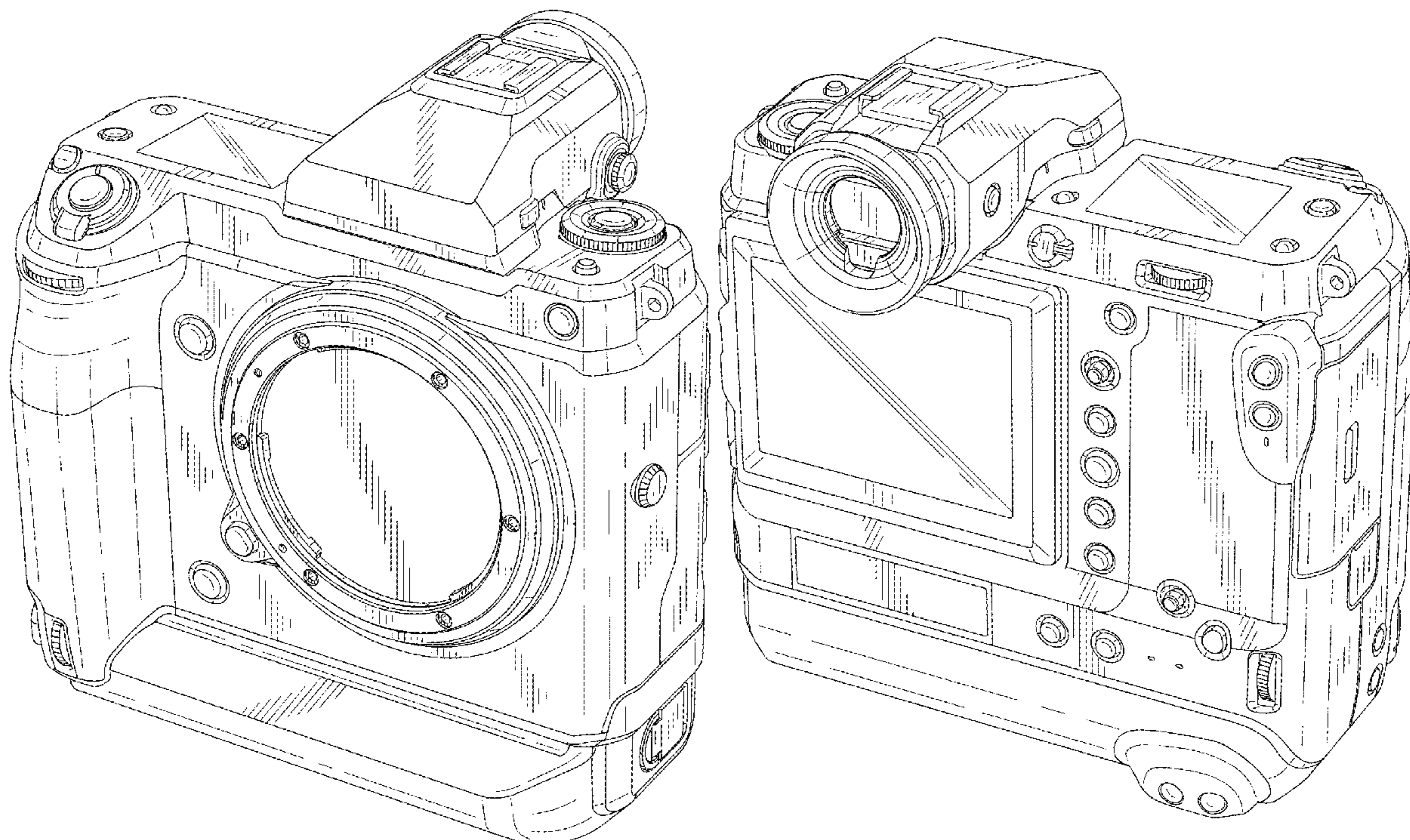
(57) **CLAIM**

The ornamental design for a digital camera, as shown and described.

**DESCRIPTION**

FIG. 1 is a front view of a digital camera, showing the new design;  
FIG. 2 is a rear view thereof;  
FIG. 3 is a top view thereof;  
FIG. 4 is a bottom view thereof;  
FIG. 5 is a left side view thereof;  
FIG. 6 is a right side view thereof;  
FIG. 7 is a top, front, right side perspective view thereof;  
and,  
FIG. 8 is a top, rear, left side perspective view thereof.  
The broken lines illustrate portions of the digital camera and form no part of the claimed design.

**1 Claim, 8 Drawing Sheets**



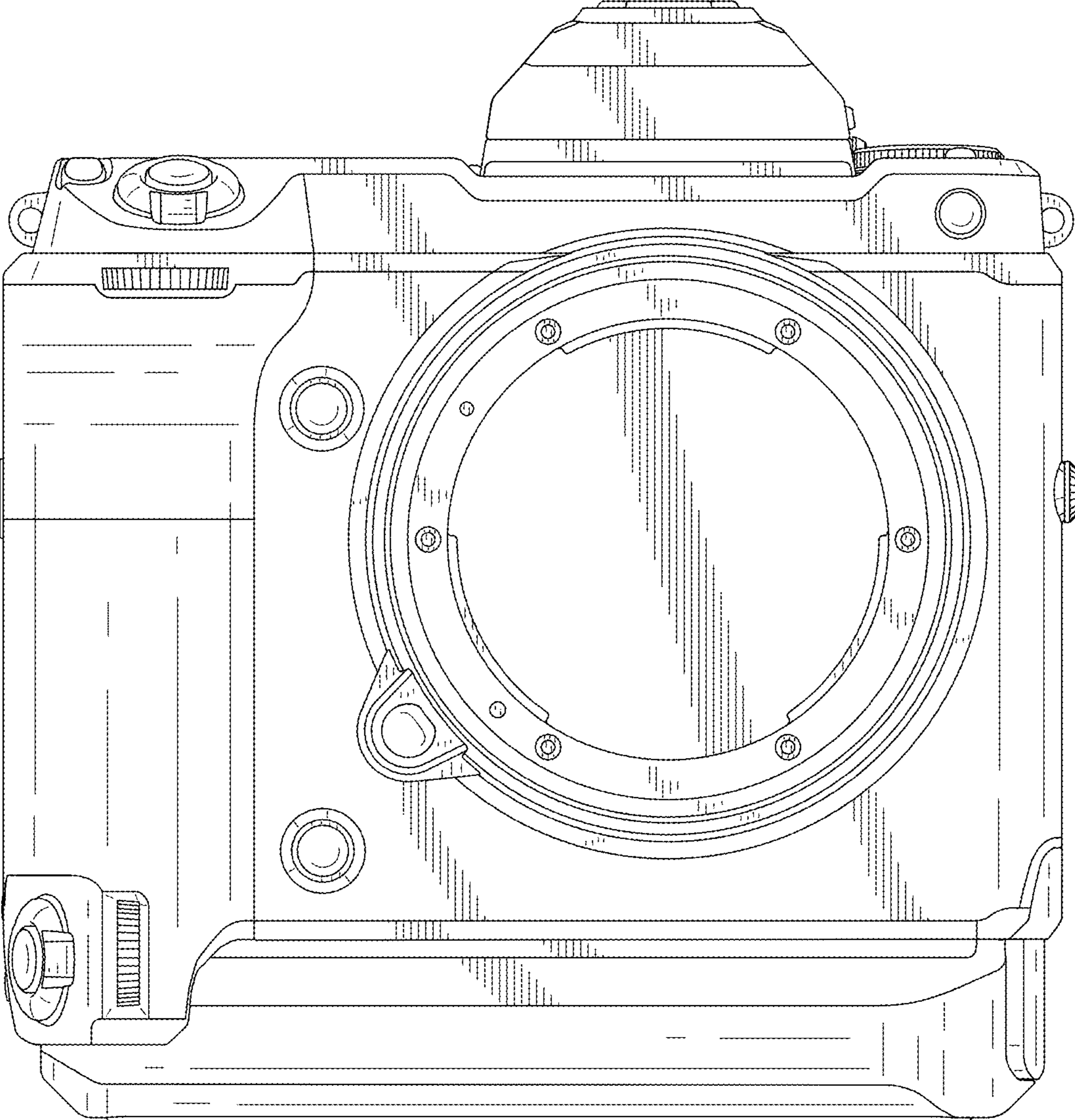


FIG. 1

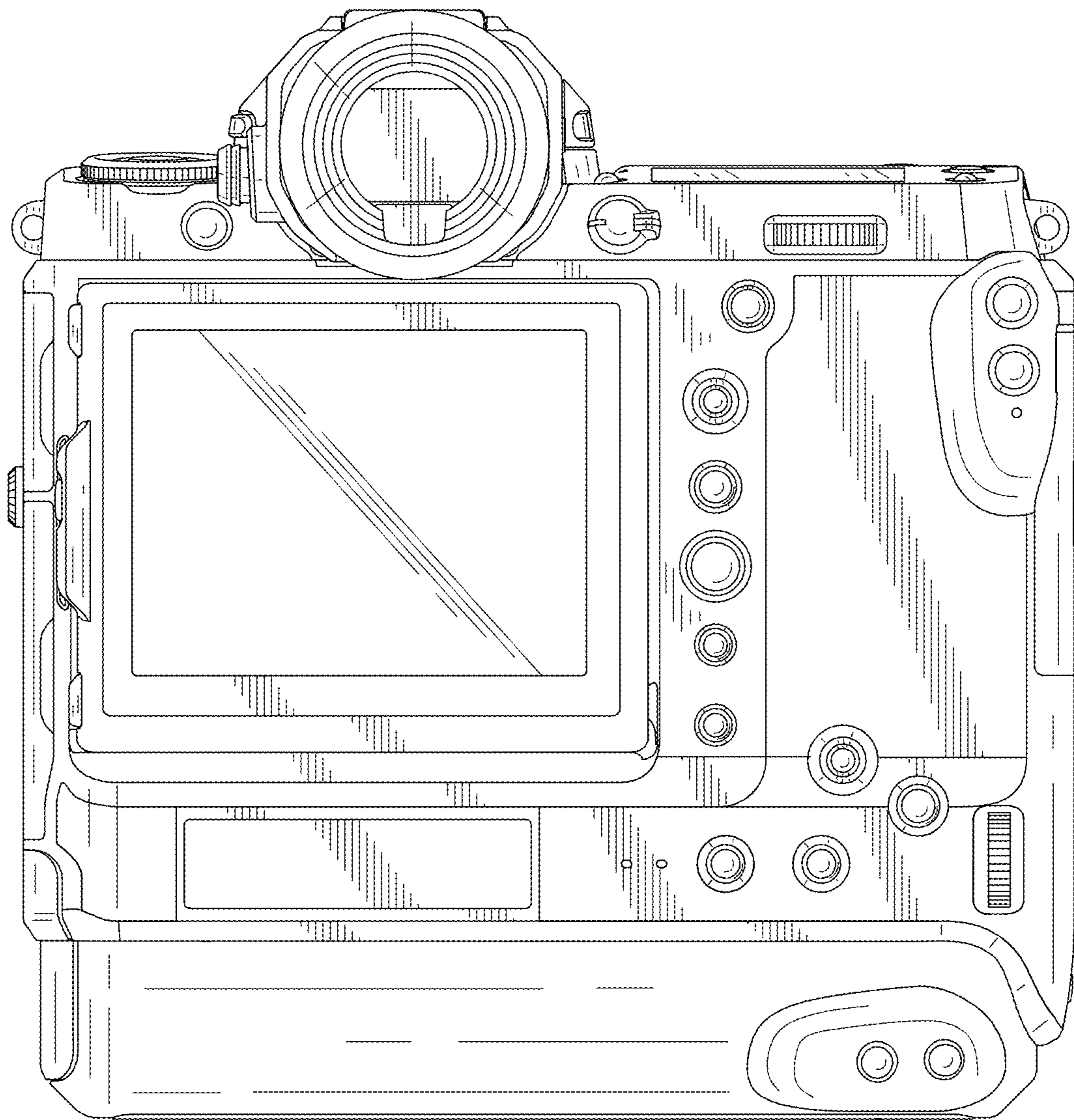


FIG. 2

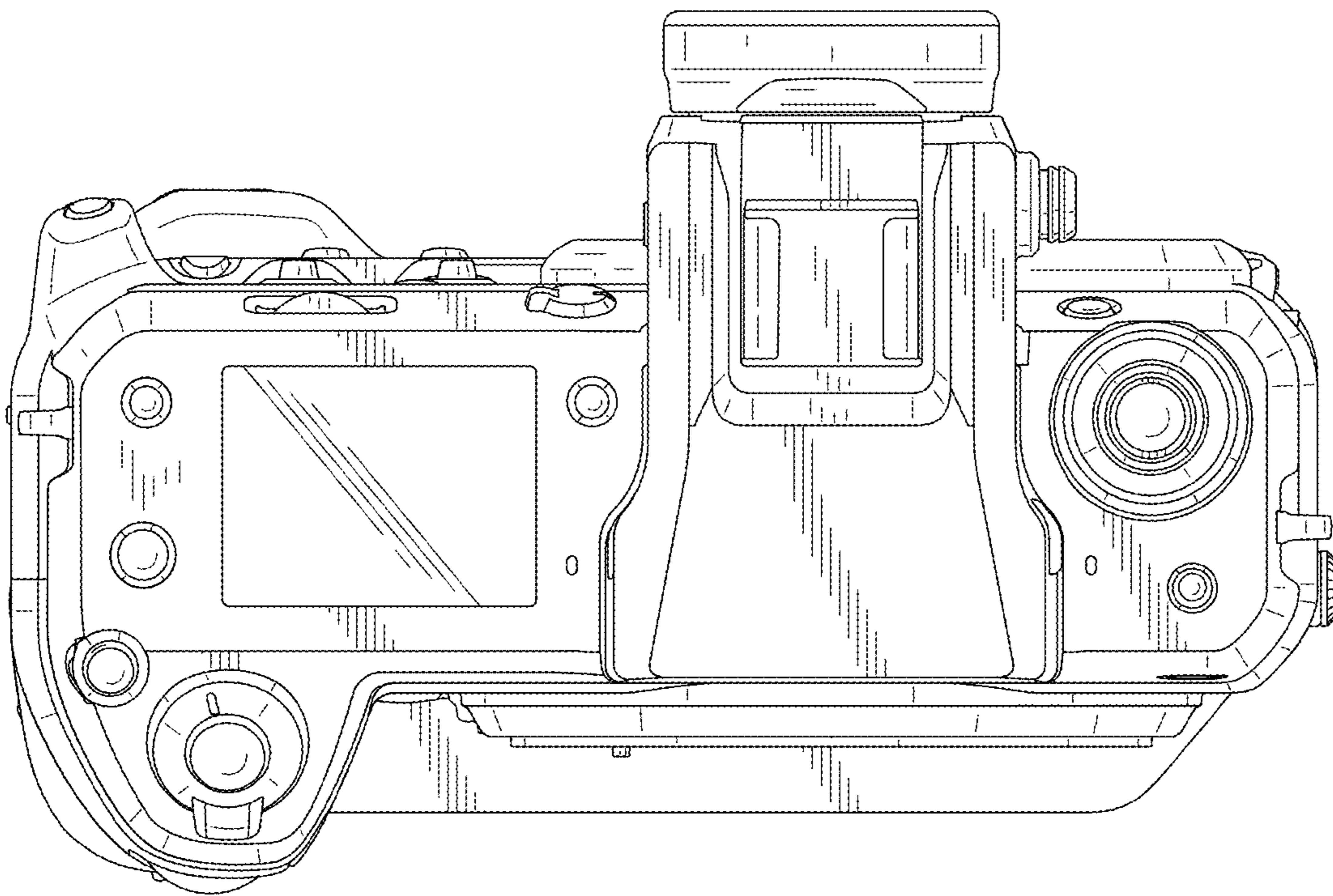


FIG. 3

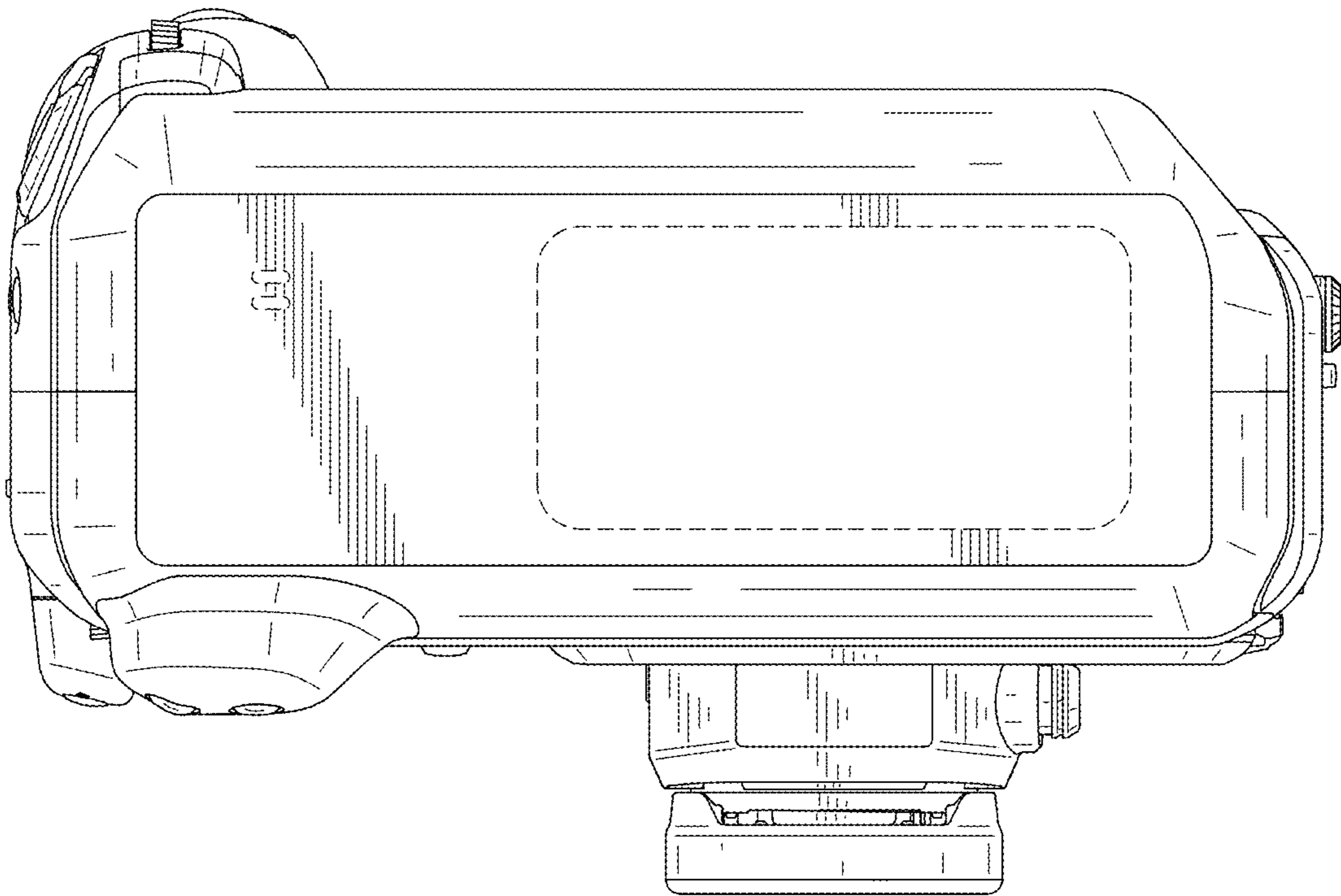


FIG. 4

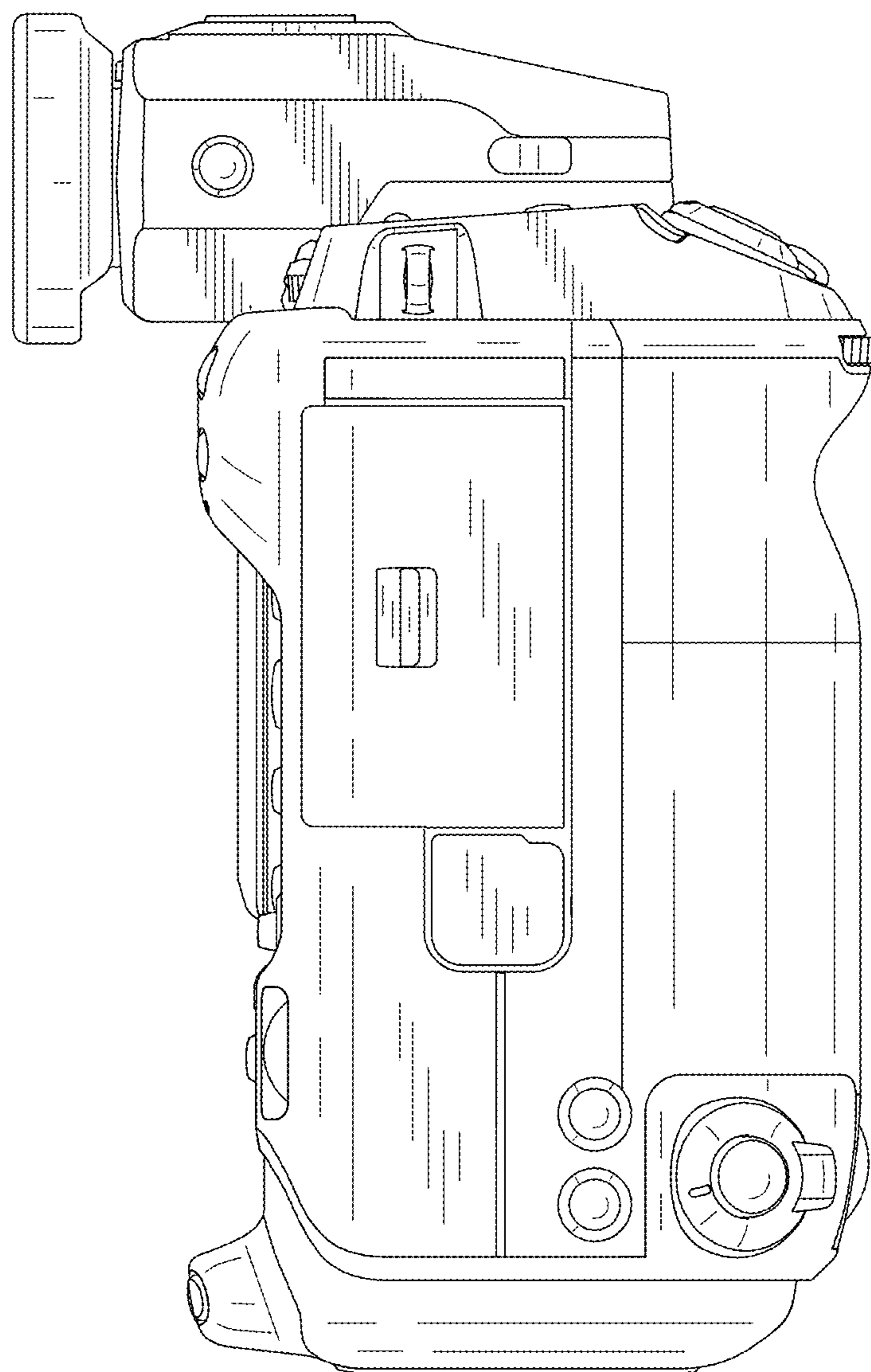


FIG. 5

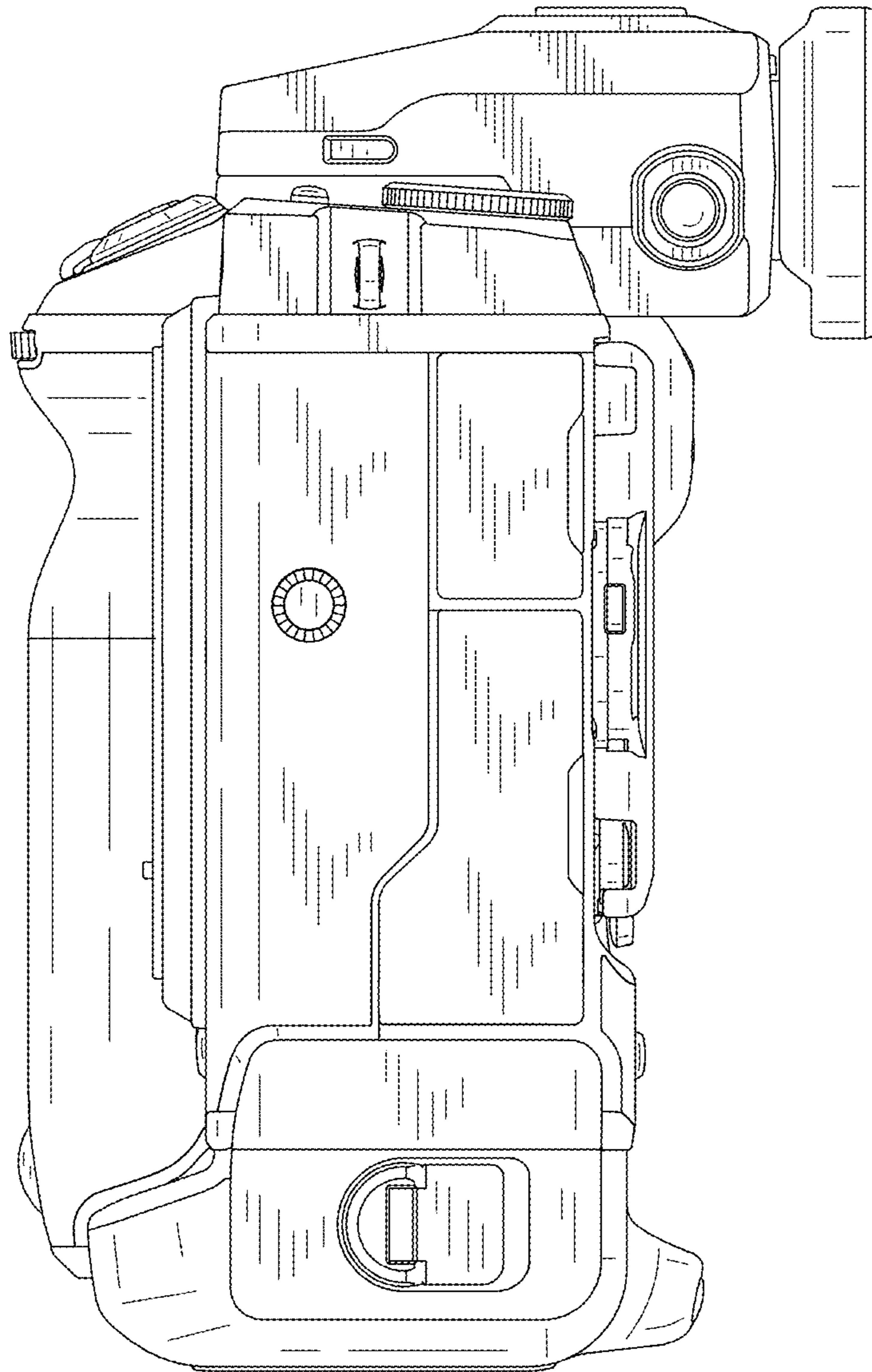


FIG. 6

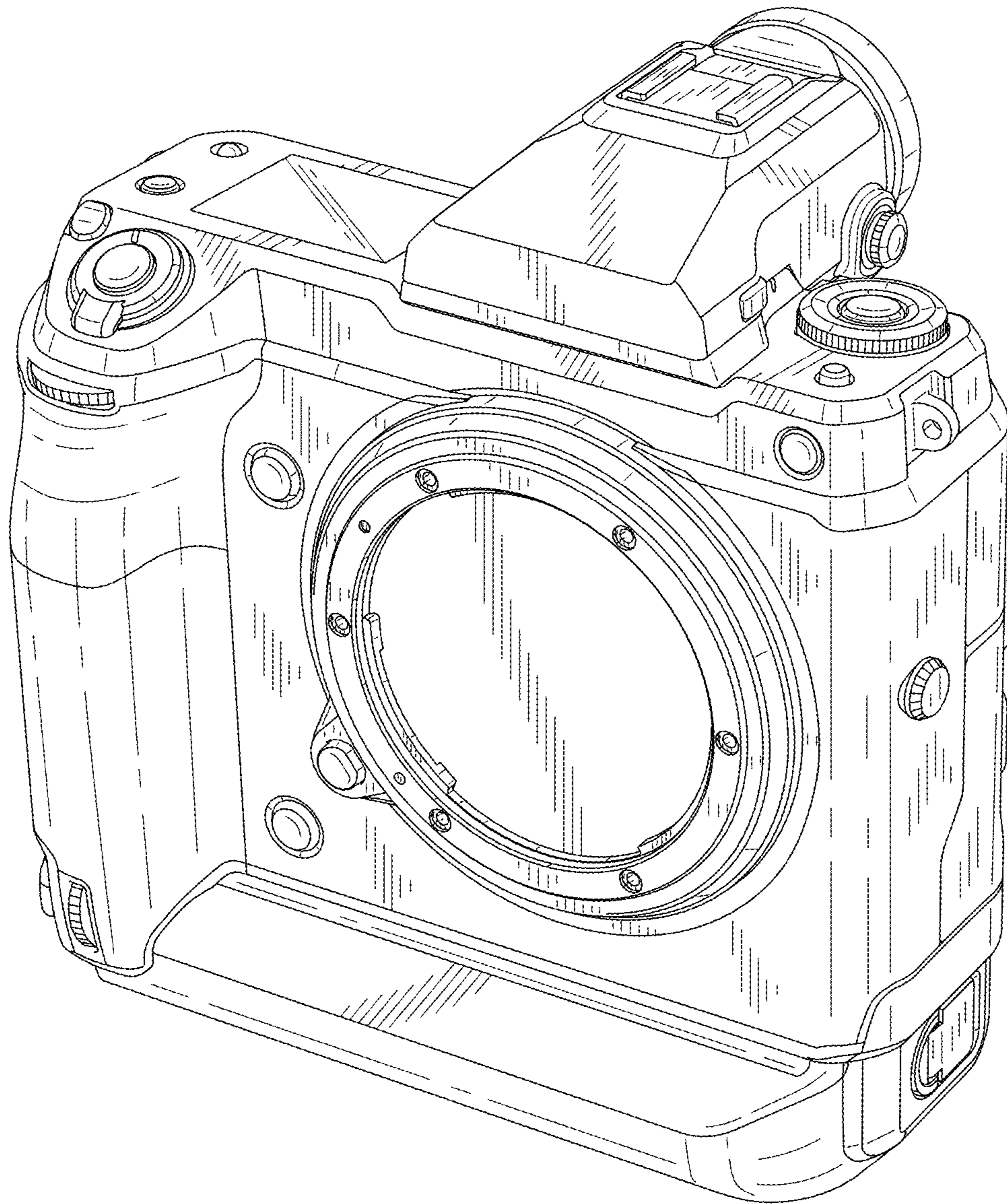


FIG. 7



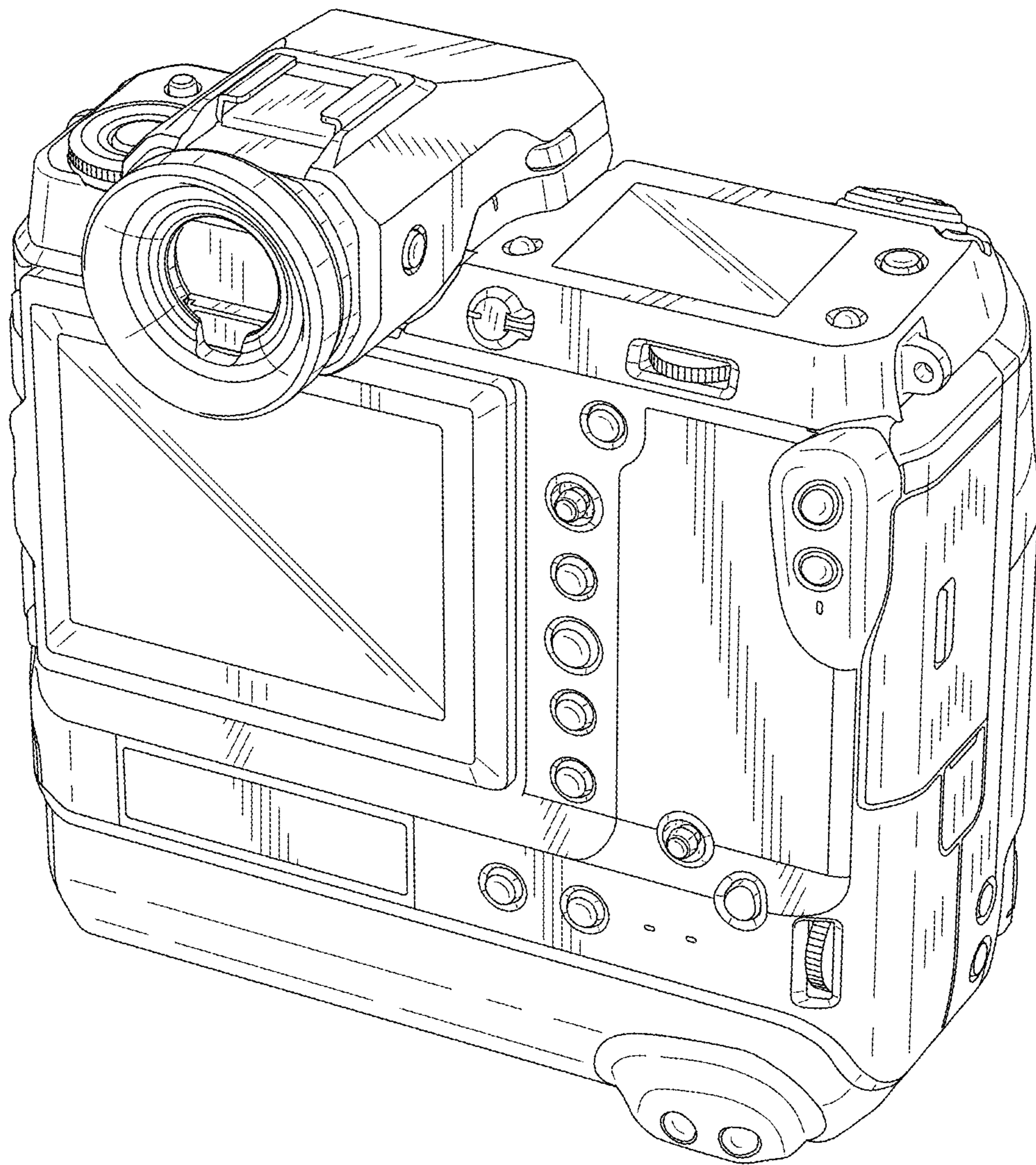


FIG. 8