



US00D982058S

(12) **United States Design Patent**  
**Zhu**

(10) **Patent No.:** **US D982,058 S**

(45) **Date of Patent:** **\*\* Mar. 28, 2023**

(54) **MAGNIFYING GLASS**

(71) Applicant: **Yunming Zhu**, Jiangxi (CN)

(72) Inventor: **Yunming Zhu**, Jiangxi (CN)

(\*\*) Term: **15 Years**

(21) Appl. No.: **29/850,076**

(22) Filed: **Aug. 17, 2022**

(51) **LOC (14) Cl.** ..... **16-06**

(52) **U.S. Cl.**  
USPC ..... **D16/135**

(58) **Field of Classification Search**

USPC ..... D16/133, 135, 202, 206, 208, 219, 300,  
D16/311; D10/46, 47, 50, 104.1, 109.1,  
D10/109.2; D21/514

CPC ..... G03B 17/56; G03B 17/565;  
G03B 2217/243; H04N 5/225; H04N  
5/2254

See application file for complete search history.

(56) **References Cited**

**U.S. PATENT DOCUMENTS**

D633,541 S *	3/2011	Khubani	.....	D26/38
D703,718 S *	4/2014	Hsu	.....	G02B 25/002
				D16/135
D741,269 S *	10/2015	Bhattacharya	.....	D10/50
D776,736 S *	1/2017	Aquino	.....	D16/135
D829,804 S *	10/2018	Goldenberg	.....	D16/208
D901,314 S *	11/2020	Atwood	.....	D10/50
D901,568 S *	11/2020	Huang	.....	D16/135
D910,103 S *	2/2021	Park	.....	D16/135
D919,290 S	5/2021	Glaser et al.		
D945,510 S *	3/2022	Lin	.....	D16/135
D952,725 S *	5/2022	Wang	.....	D16/135

**FOREIGN PATENT DOCUMENTS**

CN	301280067	*	7/2010
CN	304554165	*	3/2018
CN	307645859	*	11/2022

**OTHER PUBLICATIONS**

“Magnifying Glass for Reading, 4X Large and Lightweight Magnifier with 36 Ultra-Bright and Dimmable LED Lights Provide Full-Page Viewing Area Evenly Lit Perfect for Low Vision Person and Seniors” from Amazon.com, first available Aug. 26, 2022 from the internet <<https://www.amazon.com/dp/B0BC12W3NG/>> (Year: 2022).\*

“MagniPros 3X Large Ultra Bright LED Page Magnifier with 12 Anti-Glare Dimmable LEDs(Evenly Lit Viewing Area & Relieve Eye Strain)-Ideal for Reading Small Prints & Low Vision Seniors with Aging Eyes” from Amazon.com, first retrieved Nov. 30, 2022 from the internet <<https://www.amazon.com/dp/B077W95VHB/>> (Year: 2022).\*

(Continued)

*Primary Examiner* — Elizabeth J Oswecki

*Assistant Examiner* — Lacey Chey Bowman

(74) *Attorney, Agent, or Firm* — Che-Yang Chen; Law Office of Michael Chen

(57) **CLAIM**

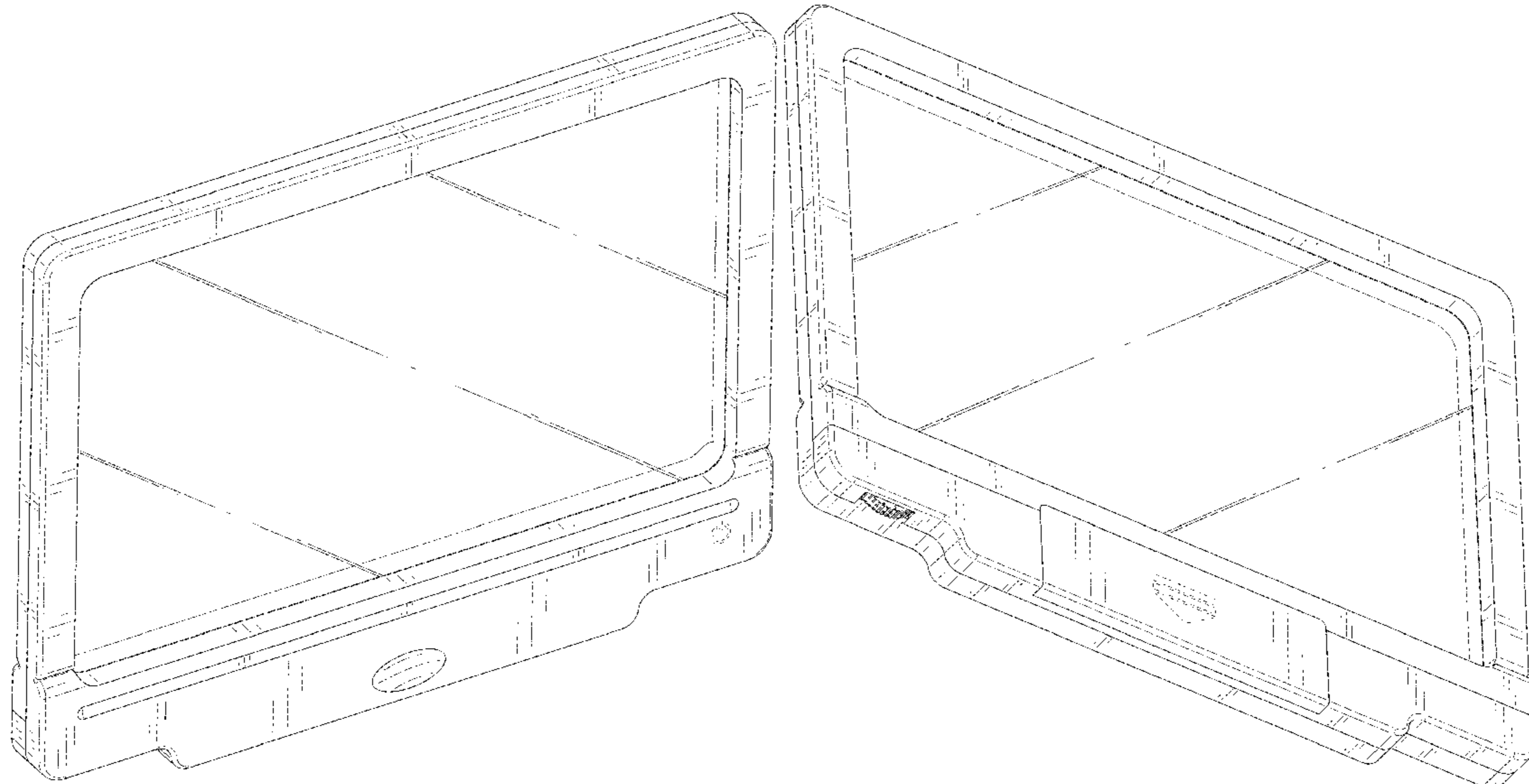
The ornamental design for a magnifying glass, as shown and described.

**DESCRIPTION**

FIG. 1 is a perspective view of a magnifying glass showing my new design;  
FIG. 2 is another perspective view thereof;  
FIG. 3 is a front elevational view thereof;  
FIG. 4 is a rear elevational view thereof;  
FIG. 5 is a left side elevational view thereof;  
FIG. 6 is a right side elevational view thereof;  
FIG. 7 is a top plan view thereof; and,  
FIG. 8 is a bottom plan view thereof.

The broken lines shown in the drawings represent portions of the amagnifying glass that form no part of the claimed design.

**1 Claim, 8 Drawing Sheets**



(56)

**References Cited**

OTHER PUBLICATIONS

“4X Large Magnifying Glass with [10 Anti-Glare & Fully Dimmable LEDs]—Evenly Lit Viewing Area—The Best Lighted Magnifier for Reading Small Fonts, Low Vision Seniors, Macular Degeneration, Inspection” from Amazon.com, first available Jul. 25, 2015 from the internet<<https://www.amazon.com/MagniPros-Magnifying-Anti-Glare-Brightest-Degeneration/dp/B012ID4XAE/>> (Year: 2015).\*

\* cited by examiner

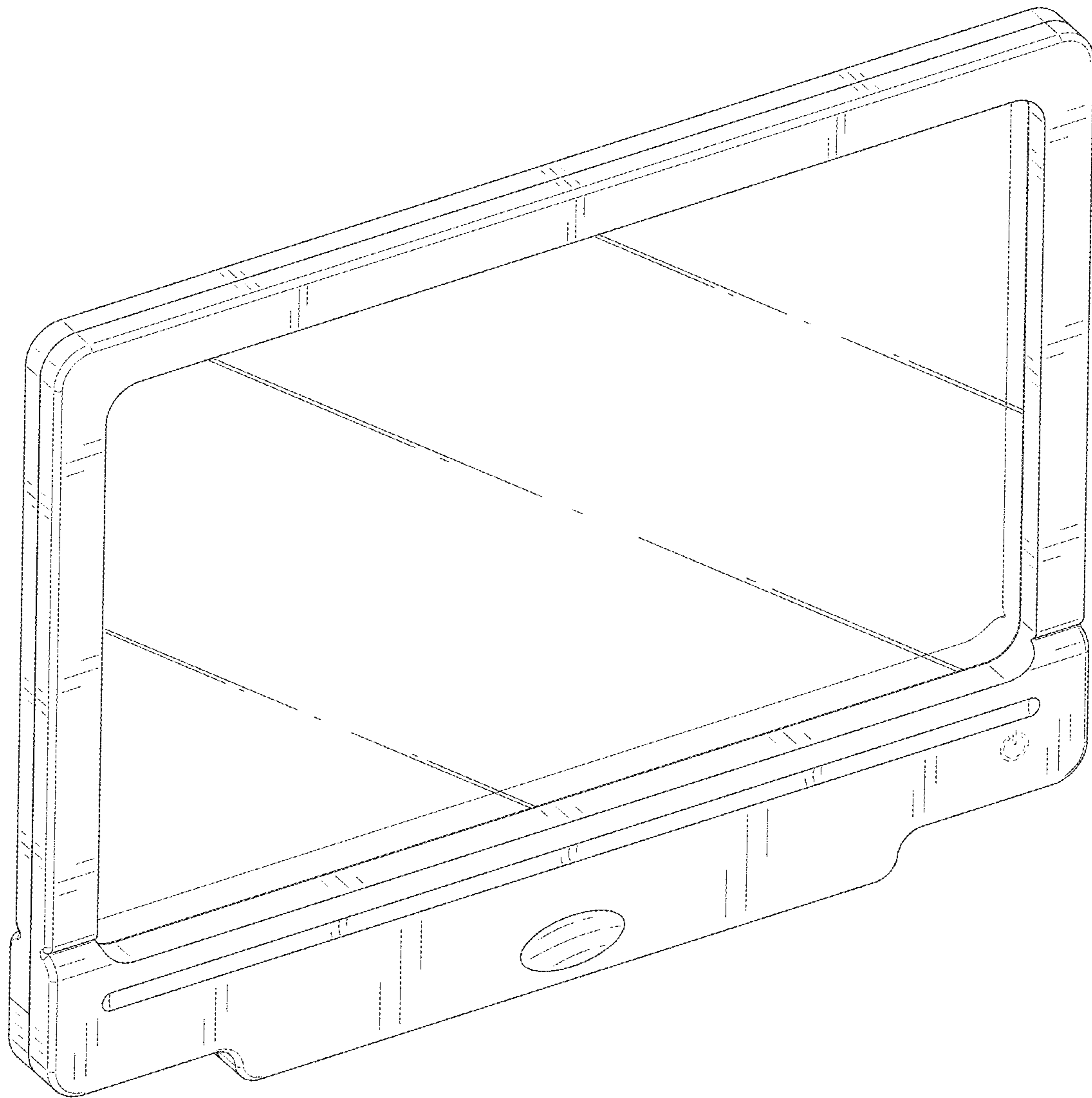


FIG. 1

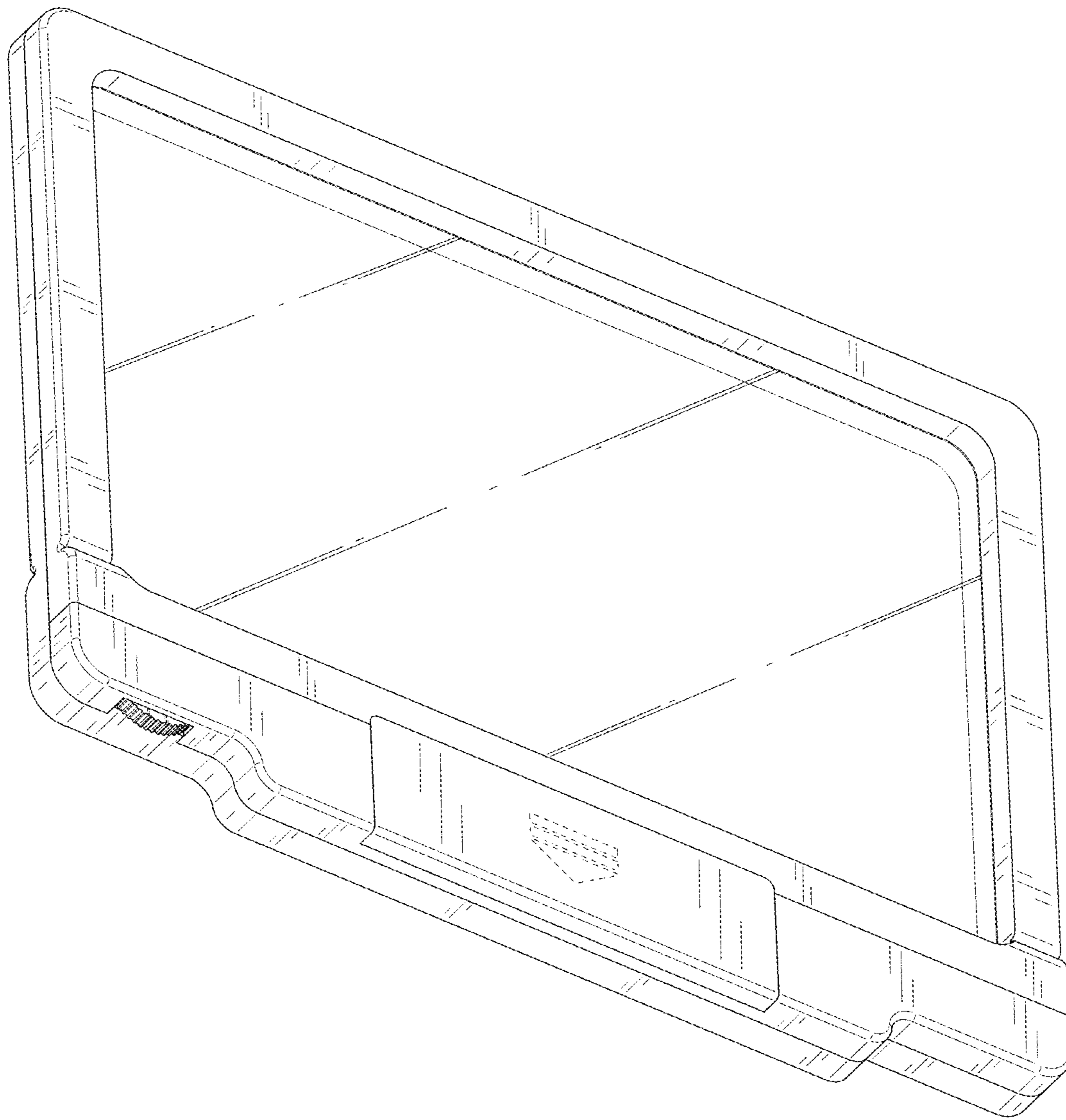


FIG. 2

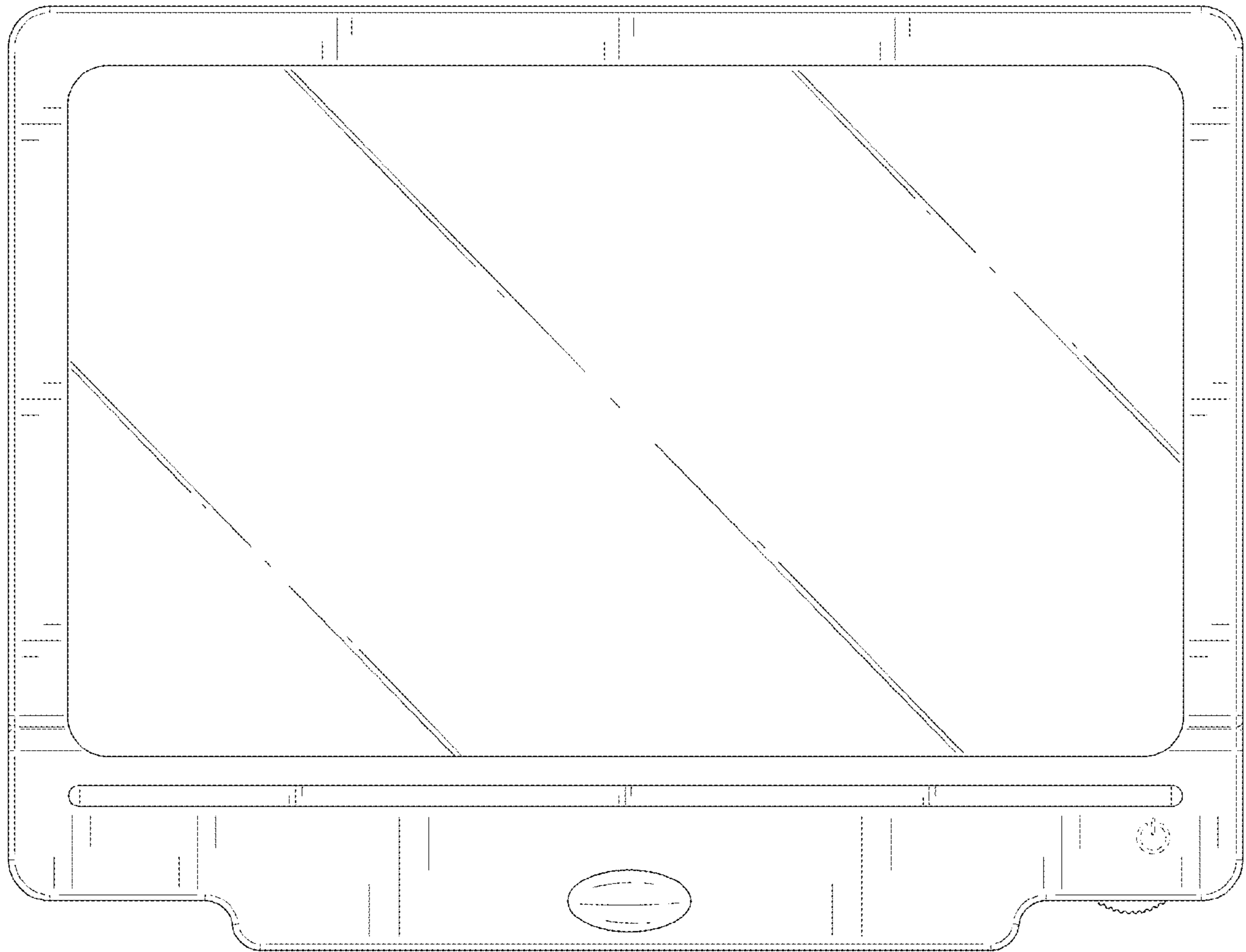


FIG. 3



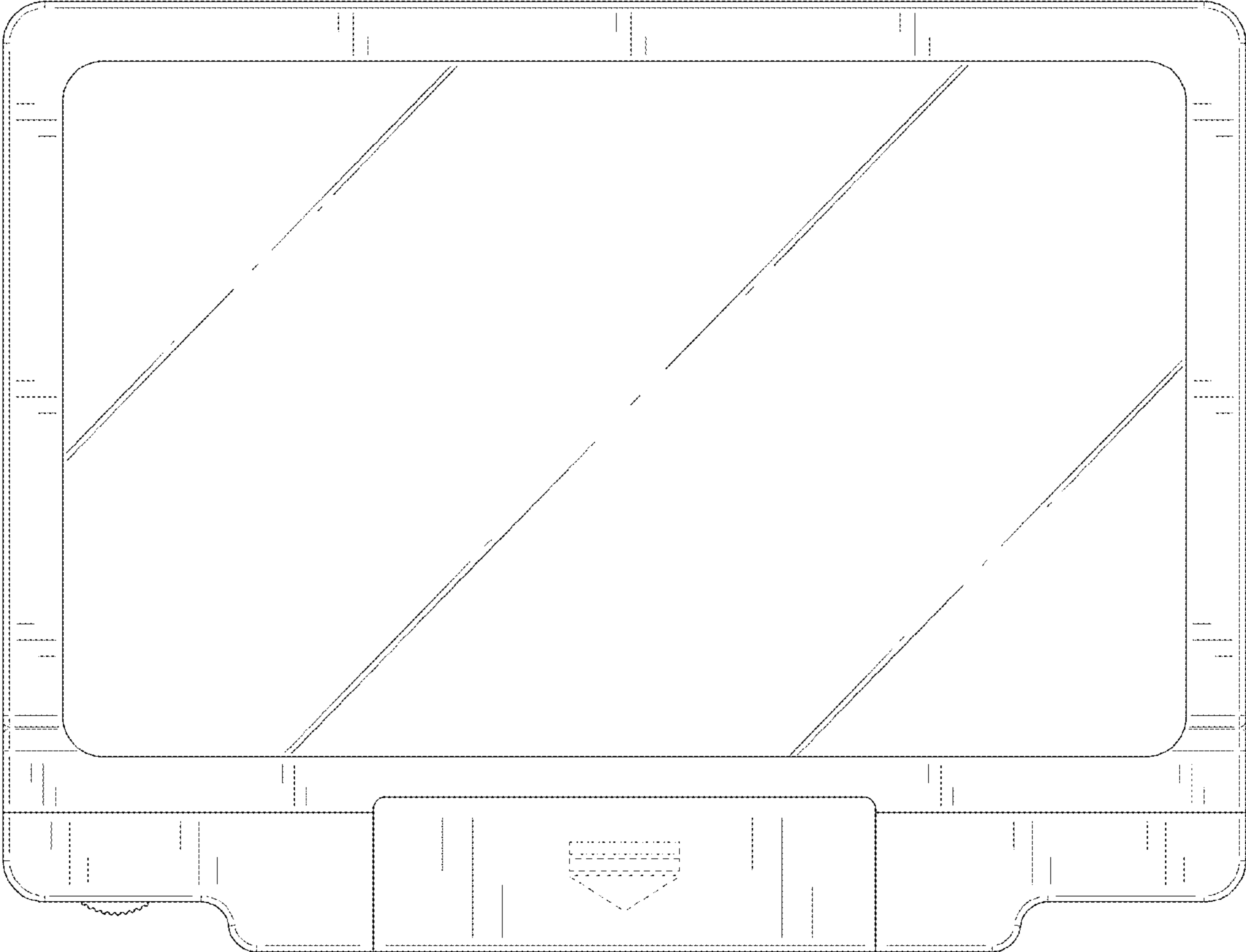


FIG. 4

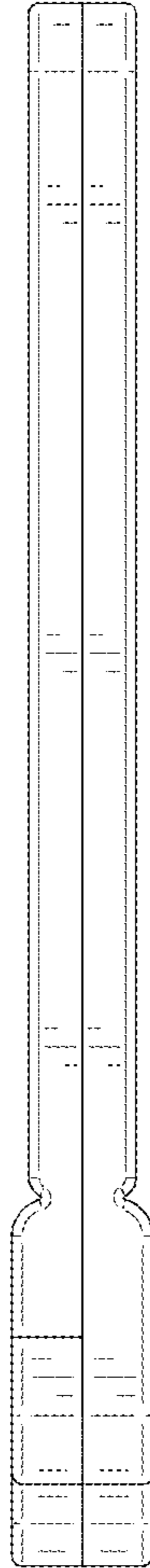


FIG. 5

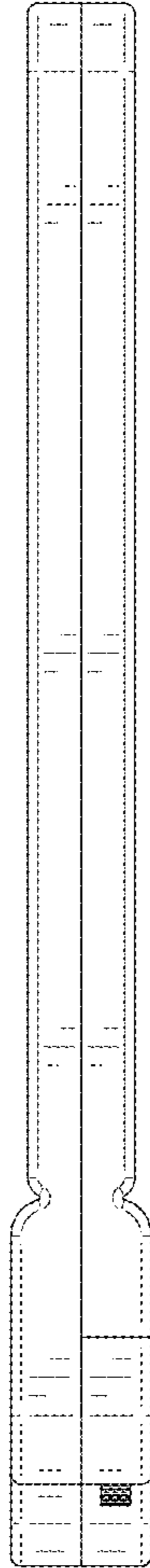


FIG. 6





FIG. 7

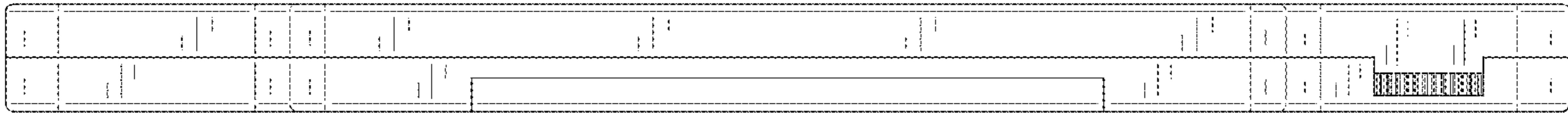


FIG. 8