



US00D982055S

(12) **United States Design Patent**
Shatashvili

(10) **Patent No.:** **US D982,055 S**
(45) **Date of Patent:** **** Mar. 28, 2023**

(54) **GEMSTONE VIEWER**

D353,045 S * 12/1994 Chandler D3/229
D353,520 S * 12/1994 Schwartz D3/229
5,443,880 A * 8/1995 Wike A47K 10/02
2/253

(71) Applicant: **Levan Shatashvili**, Ramla (IL)

(72) Inventor: **Levan Shatashvili**, Ramla (IL)

(Continued)

(**) Term: **15 Years**

FOREIGN PATENT DOCUMENTS

(21) Appl. No.: **35/513,206**

IL 67853 * 10/2021
WO D216836-001 * 10/2021

(22) Filed: **Oct. 4, 2021**

OTHER PUBLICATIONS

(80) **Hague Agreement Data**

Google Term Search: 'Gemstone Viewer', [site visited Nov. 3, 2022] <URL: https://www.google.com/search?q=gemstone+viewer&xsrf=ALiCzsacRaY0ePoraeUpZFQC-eba89X0SQ:1667442692441&source=lnms&tbm=isch&sa=X&ved=2ahUKewj7uPaK_JD7AhXCEIkFHSDvABOQ_AUoAnoECAEQBA&biw=1920&bih=937&dpr=1> (Year: 2022).*

Int. Filing Date: **Oct. 4, 2021**

Int. Reg. No.: **DM/216836**

Int. Reg. Date: **Oct. 4, 2021**

Int. Reg. Pub. Date: **Oct. 22, 2021**

(Continued)

(51) **LOC (14) Cl.** **16-99**

(52) **U.S. Cl.**

USPC **D16/131**

Primary Examiner — Sanjeev Paul

(58) **Field of Classification Search**

USPC D16/221, 222, 131

CPC .. G01B 9/04; A61B 3/13; G02B 21/00; G02B

21/08; G02B 21/04

See application file for complete search history.

(57) **CLAIM**

The ornamental design for gemstone viewer, as shown and described.

DESCRIPTION

(56) **References Cited**

U.S. PATENT DOCUMENTS

1,615,721 A * 1/1927 Pease A47K 10/02
15/210.1
D141,832 S * 7/1945 Holley D16/131
2,439,382 A * 4/1948 De Grazla A42B 1/048
2/84
D234,006 S * 12/1974 Wang D16/222
D234,268 S * 2/1975 Burrige D16/131
D317,693 S * 6/1991 Jencks D6/608
5,161,683 A * 11/1992 Smith A47K 10/02
206/812
D332,616 S * 1/1993 Hashimoto D24/186
5,321,863 A * 6/1994 Yamaguchi A47K 10/02
5/655
D349,190 S * 8/1994 Wasserman D7/619.1

1. Gemstone viewer

1.1 : Perspective

1.2 : Top

1.3 : Front

1.4 : Right

1.5 : Back

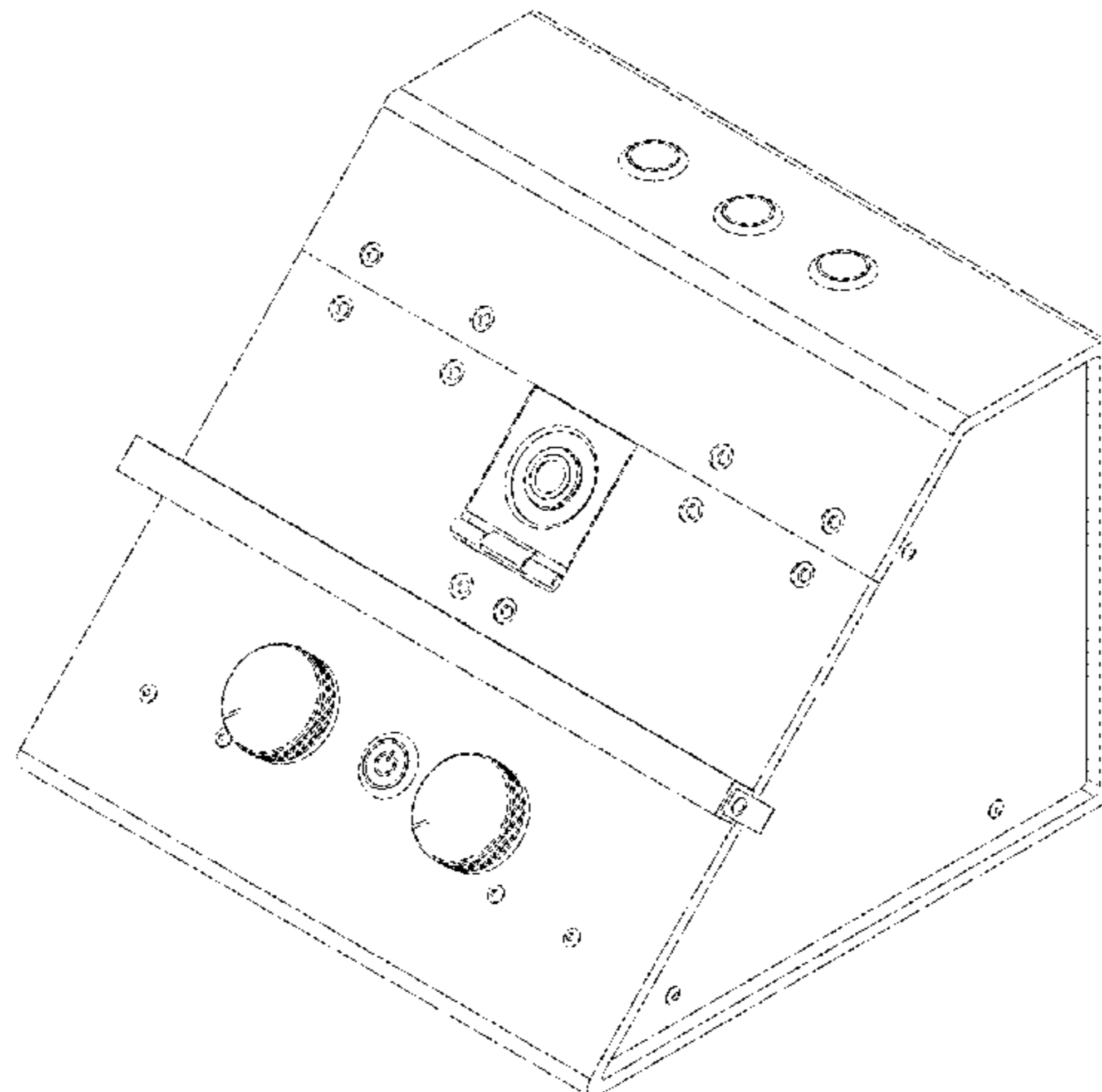
1.6 : Left

1.7 : Bottom

1.8 : Perspective

The device for which the design right is sought, operates with smartphone camera to take photographs of gemstones; reproduction **1.1** is front perspective view of the gemstone viewer, showing claimed design; **1.2** is top view thereof; **1.3** is front view thereof; **1.4** is right view thereof; **1.5** is back

(Continued)



view thereof; 1.6 is left view thereof; 1.7 is bottom view thereof; 1.8 is rear perspective view thereof.

1 Claim, 8 Drawing Sheets

(56)

References Cited

U.S. PATENT DOCUMENTS

D378,022 S * 2/1997 Chen D3/229
 D378,977 S * 4/1997 Lewis D7/624.3
 D382,483 S * 8/1997 Flasch D7/620
 D382,756 S * 8/1997 Ryan D6/596
 D384,717 S * 10/1997 Hodges D6/608
 D419,392 S * 1/2000 Schlebusch D7/619.1
 6,058,530 A * 5/2000 Wheeler A47G 9/064
 5/419
 D428,751 S * 8/2000 Edwards D6/608
 6,175,964 B1 * 1/2001 Adler A41D 15/00
 2/207
 D456,661 S * 5/2002 Henegan D2/719
 D459,934 S * 7/2002 Le Gette D6/608
 D470,704 S * 2/2003 Varon D6/608
 D497,172 S * 10/2004 Gingerella D16/131
 D581,658 S * 12/2008 Leslie D3/229
 D607,569 S * 1/2010 Yukikado D24/186
 D613,544 S * 4/2010 Salvaggio D6/608
 D633,537 S * 3/2011 Oonuma D16/131
 D656,978 S * 4/2012 Stoiakine D16/131
 D674,830 S * 1/2013 Stoiakine D16/131
 D687,475 S * 8/2013 Oonuma D16/131
 D690,754 S * 10/2013 Tsuda D16/131
 D693,866 S * 11/2013 Au D16/131
 D697,118 S * 1/2014 Okuyama D16/131
 D708,244 S * 7/2014 Matoba H01J 37/26
 D16/131

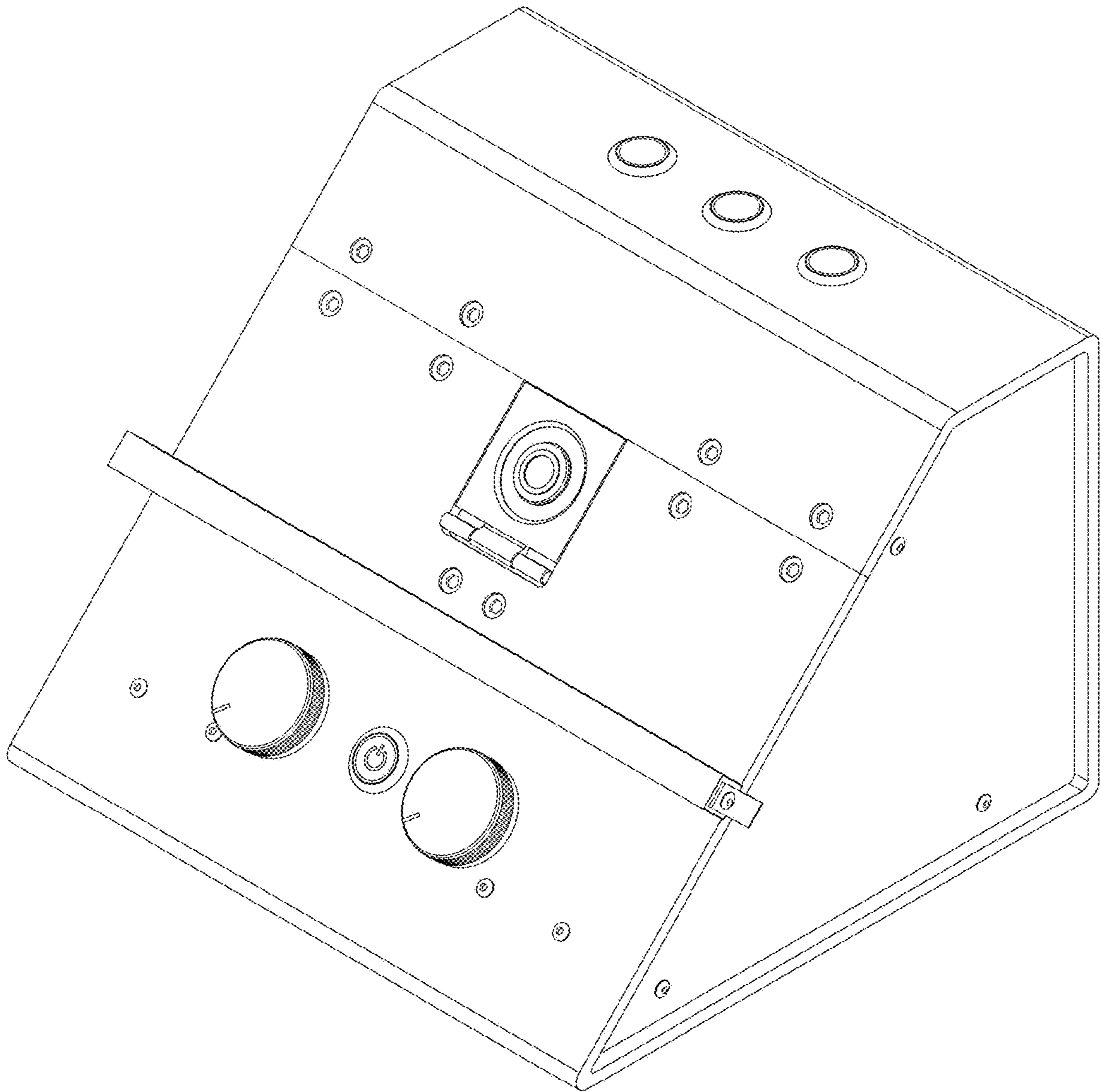
D711,950 S * 8/2014 Matoba D16/131
 D715,843 S * 10/2014 Kawai D16/131
 D724,128 S * 3/2015 Muraoka D16/131
 D800,121 S * 10/2017 Akers, Jr. D14/421
 D876,506 S * 2/2020 Apothéloz D16/131
 D962,598 S * 9/2022 McKay D2/825
 D964,816 S * 9/2022 Musumeci D7/622
 11,445,766 B1 * 9/2022 Vandal A41B 13/06
 D966,384 S * 10/2022 Jiang D16/208
 D967,607 S * 10/2022 Liu D2/831
 2004/0019957 A1 * 2/2004 Lewis A42B 3/105
 2/410
 2007/0028359 A1 * 2/2007 Robinson A42B 3/048
 2/171
 2009/0144884 A1 * 6/2009 Duncan A42B 1/048
 2/205
 2009/0151055 A1 * 6/2009 Duncan A62B 17/04
 2/205
 2010/0170024 A1 * 7/2010 Seter A42B 1/048
 2/202
 2011/0004971 A1 * 1/2011 Benderradji A42B 1/048
 2/202
 2014/0119613 A1 * 5/2014 D’Gama G01N 21/87
 414/754
 2022/0211152 A1 * 7/2022 Woodman A47K 10/02
 2022/0304523 A1 * 9/2022 Parker A47K 10/02

OTHER PUBLICATIONS

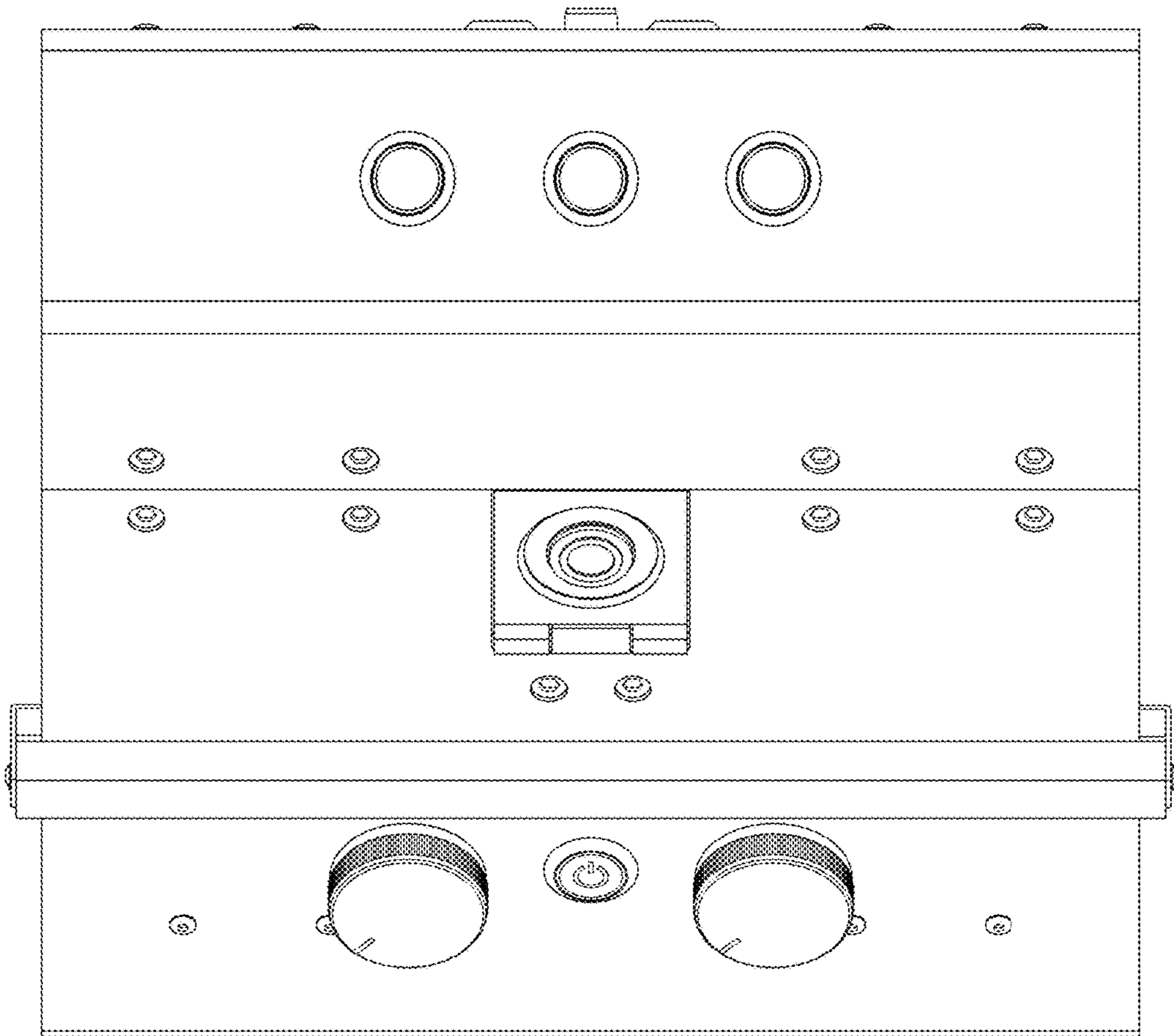
Google Term Search: ‘Gemstone Microscope’, [site visited Nov. 3, 2022] <URL: https://www.google.com/search?q=gemstone+microscope&sxsrf=ALiCzsYoi5O5MebCfzN62lvaFiAlhE155A:1667442918754&source=lnms&tbm=isch&sa=X&ved=2ahUKEwiv2uv2_JD7AhU4L1kFHVqHBzQQ_AUoAXoECAIQAw&biw=1920&bih=937&dpr=1> (Year: 2022).*

* cited by examiner

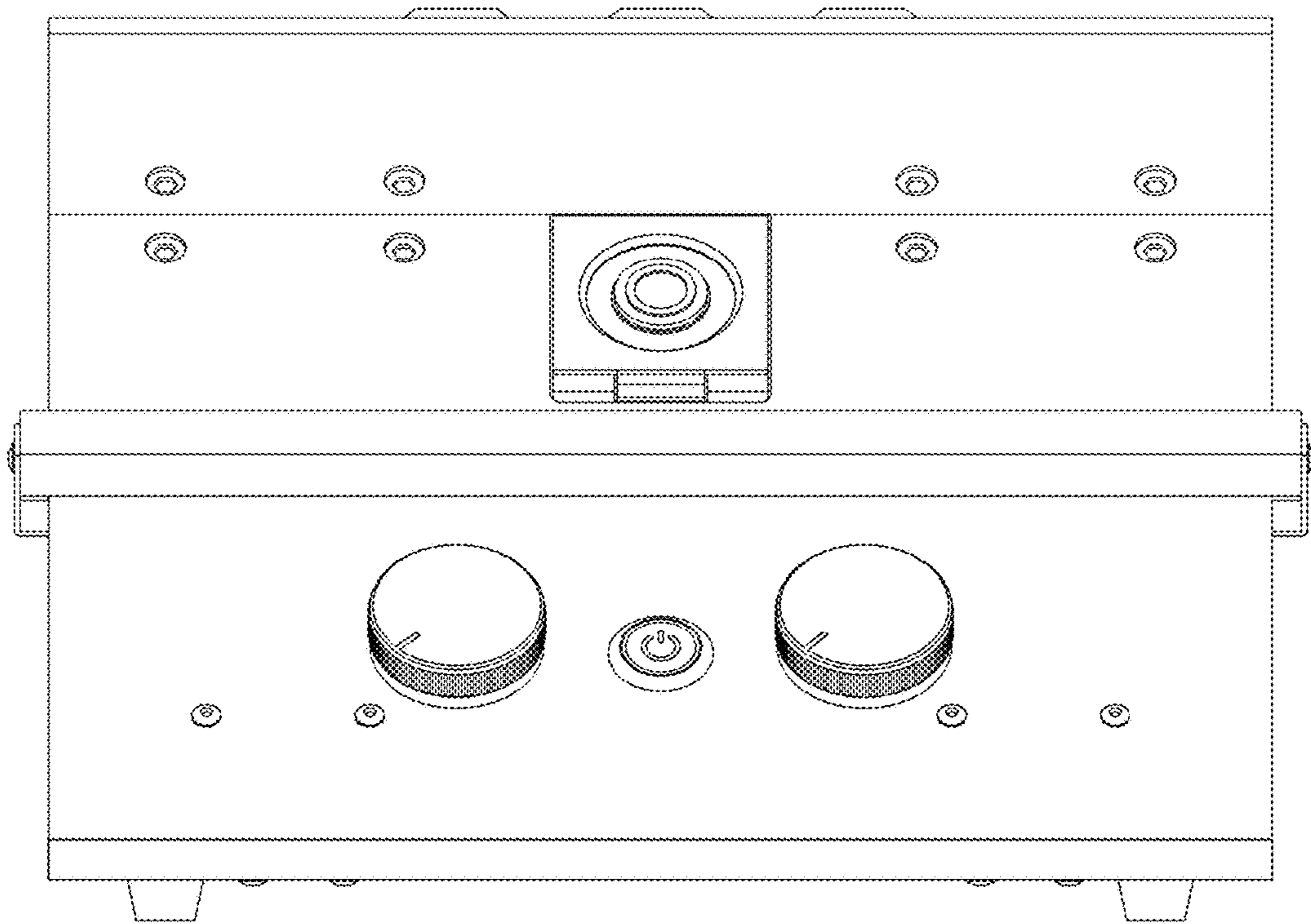
1.1



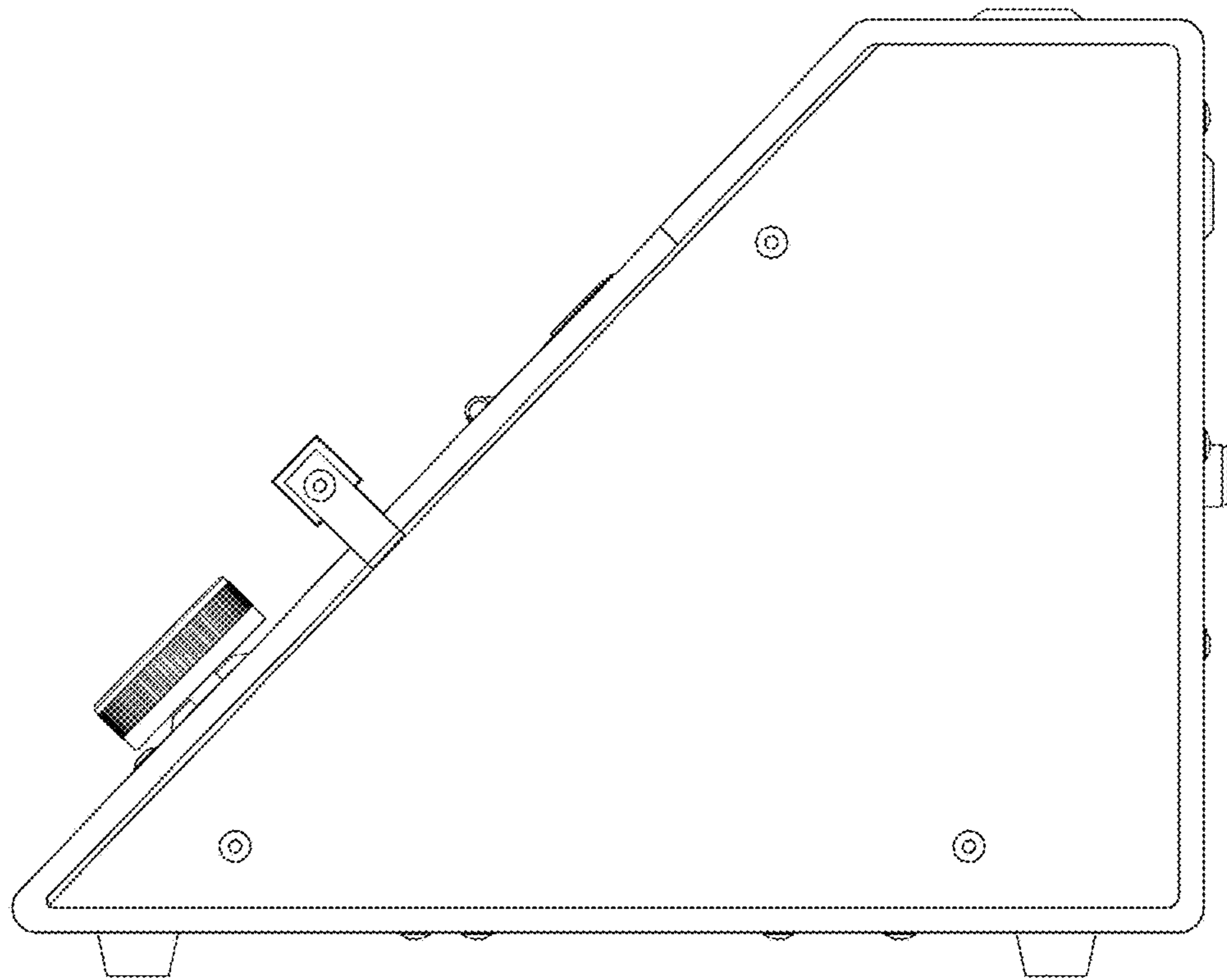
1.2



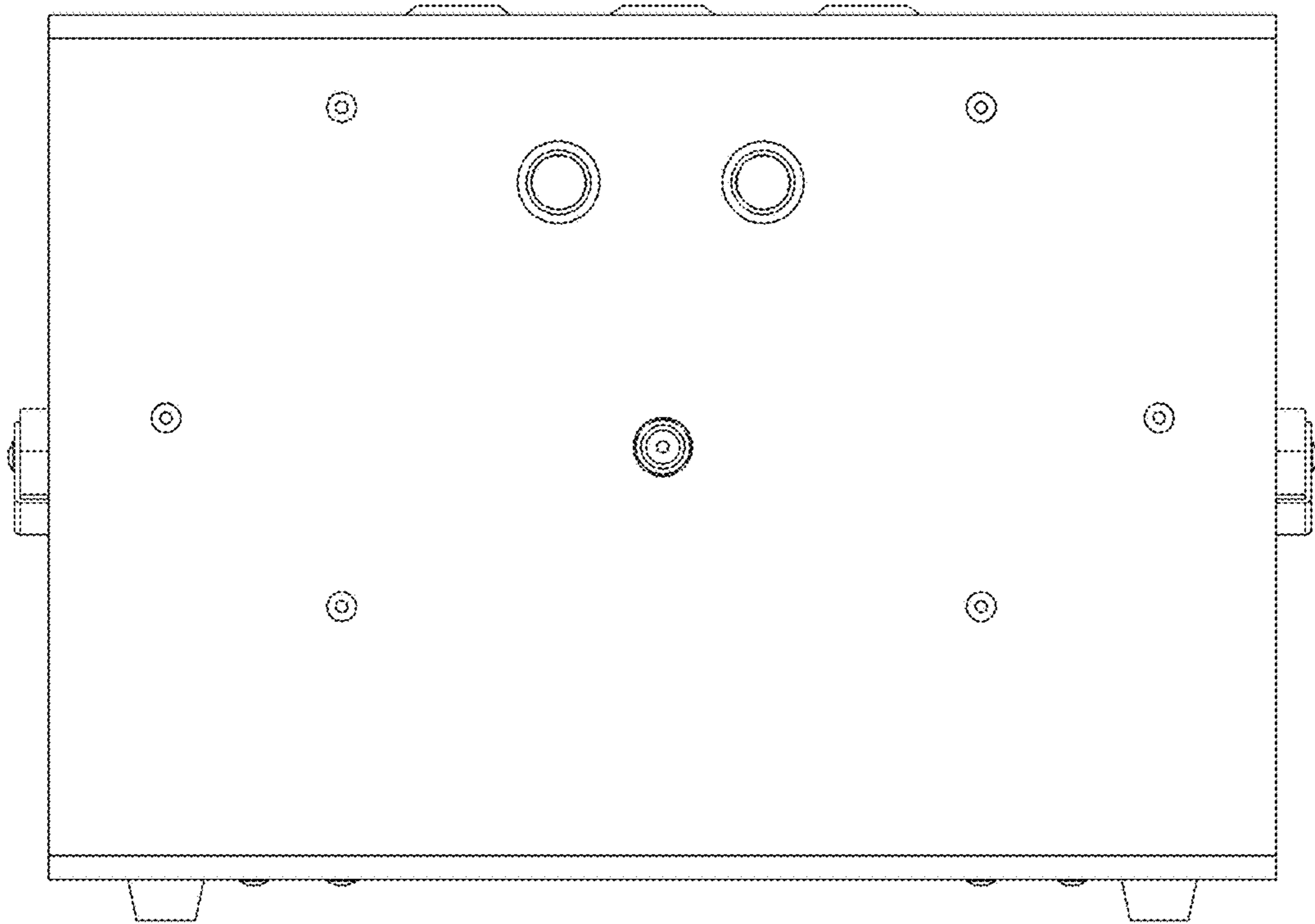
1.3



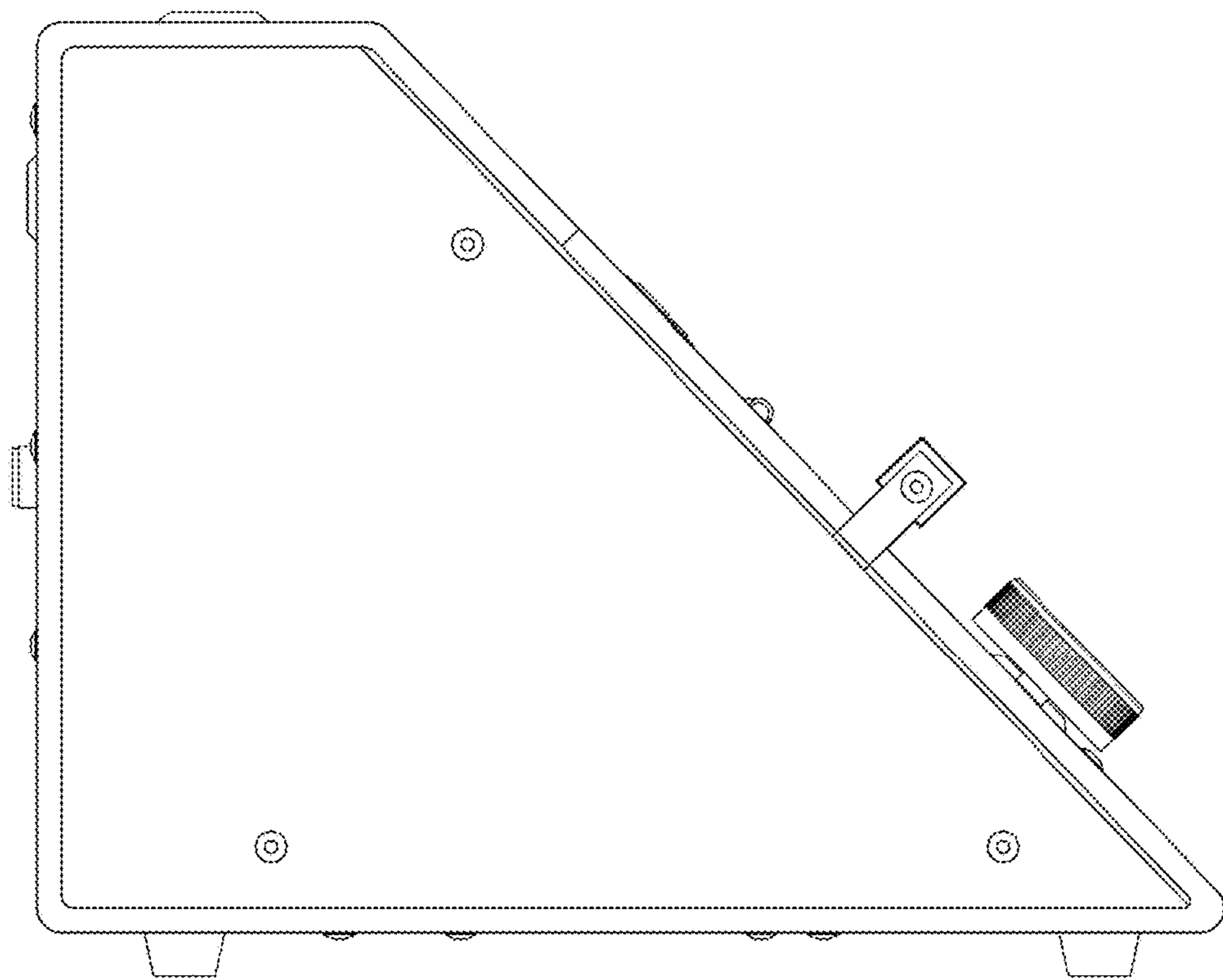
1.4



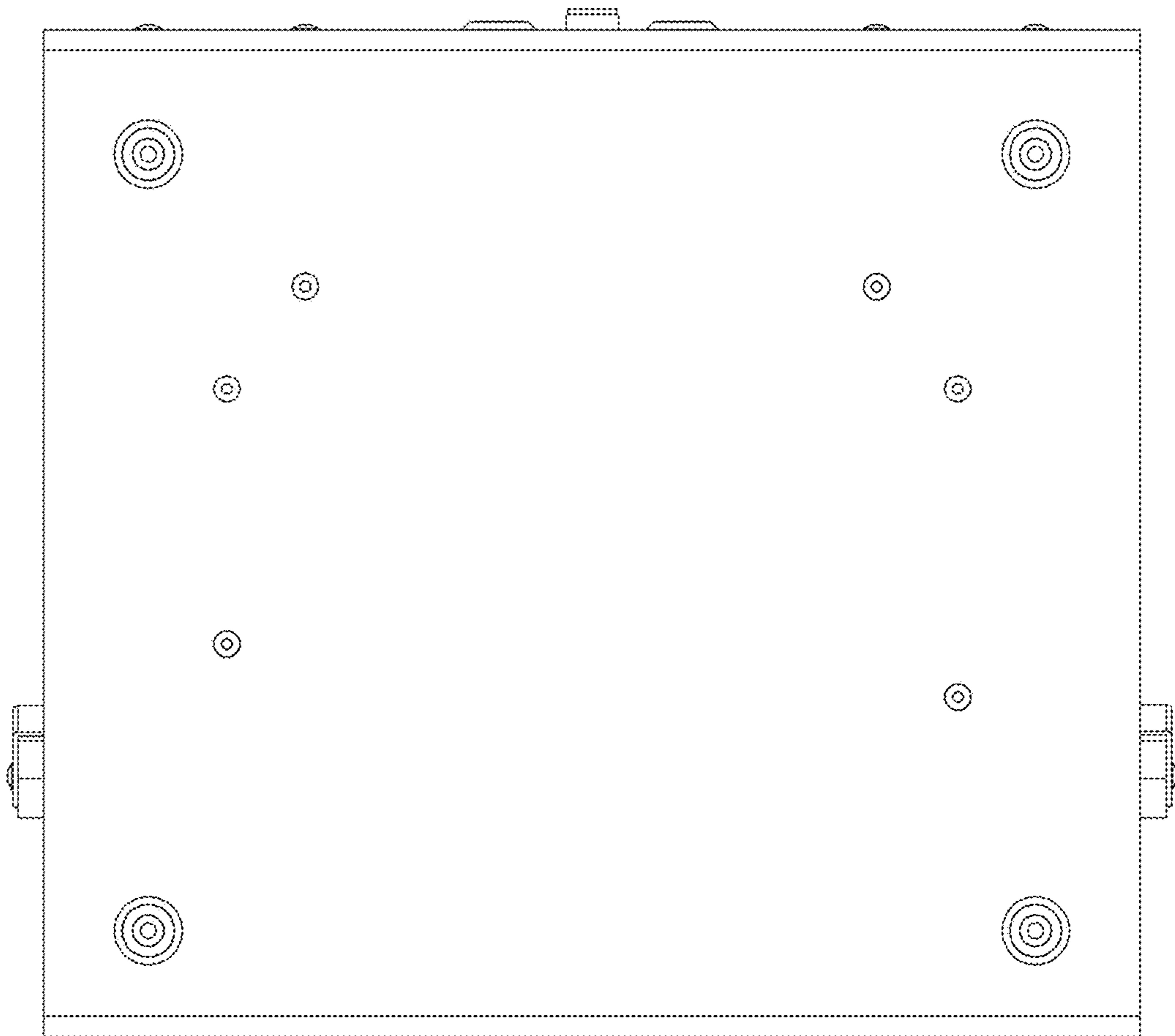
1.5



1.6



1.7



1.8

