



US00D982049S

(12) **United States Design Patent**
Ramamurthy et al.

(10) **Patent No.:** **US D982,049 S**
(45) **Date of Patent:** **** Mar. 28, 2023**

(54) **MOBILE ROBOT**
(71) Applicant: **OMRON Corporation**, Kyoto (JP)
(72) Inventors: **Swami V. Ramamurthy**, Singapore (SG); **Nagarajan Raja**, Singapore (SG); **Jayaraman Rajaram**, Singapore (SG); **Ramalingam Pragaasam**, Singapore (SG)

(73) Assignee: **OMRON Corporation**, Kyoto (JP)

(**) Term: **15 Years**

(21) Appl. No.: **29/802,642**

(22) Filed: **Aug. 6, 2021**

(30) **Foreign Application Priority Data**

Mar. 12, 2021 (SG) 30202109055U

(51) **LOC (14) Cl.** **15-99**

(52) **U.S. Cl.**
USPC **D15/199**

(58) **Field of Classification Search**
USPC D15/199; D21/578-583, 621, 622;
D32/21; D34/34
CPC B25J 5/007; B25J 11/008; B60B 19/006;
B62D 57/024; Y10S 901/00; Y10S
901/01; Y10S 901/08
See application file for complete search history.

(56) **References Cited**

U.S. PATENT DOCUMENTS

D710,953 S * 8/2014 Katsutani D15/199
D736,117 S * 8/2015 Stone D12/1
D826,302 S * 8/2018 Tsukamoto D15/199
D830,436 S * 10/2018 Xu D15/199
D840,620 S * 2/2019 Kim D15/199
D841,067 S * 2/2019 Camporesi D15/199

D846,663 S * 4/2019 Guo D21/578
D857,074 S * 8/2019 Kim A63H 11/00
D15/199
D870,787 S * 12/2019 Kim D15/199
D870,788 S * 12/2019 Kim A63H 11/00
D15/199
D884,764 S * 5/2020 Mori D15/199
D884,765 S * 5/2020 Mori D15/199
D890,024 S * 7/2020 Schnapp D12/1
D913,351 S * 3/2021 Ekmekjian D12/1
D915,486 S * 4/2021 Gidwell D15/199
D923,681 S * 6/2021 Lee G05D 1/024
D15/199
D934,933 S * 11/2021 Cho D15/199
D939,004 S * 12/2021 Gidwell D15/199
D944,769 S * 3/2022 Bae D14/207
D947,915 S * 4/2022 Li D15/199
D949,220 S * 4/2022 Gidwell D15/199
2015/0088359 A1 * 3/2015 Choi G05D 1/0225
901/1

* cited by examiner

Primary Examiner — Patricia A Palasik

(74) *Attorney, Agent, or Firm* — Capitol City TechLaw

(57) **CLAIM**

The ornamental design for a mobile robot, as shown and described.

DESCRIPTION

FIG. 1 is a front, top, and right side perspective view of a mobile robot, showing our new design;
FIG. 2 is a rear, top, and left side perspective view thereof;
FIG. 3 is a front view thereof;
FIG. 4 is a rear view thereof;
FIG. 5 is a left side view thereof;
FIG. 6 is a top view thereof; and,
FIG. 7 is a bottom view thereof.
The dashed broken lines in the figures illustrate portions of the mobile robot that form no part of the claimed design.

1 Claim, 7 Drawing Sheets

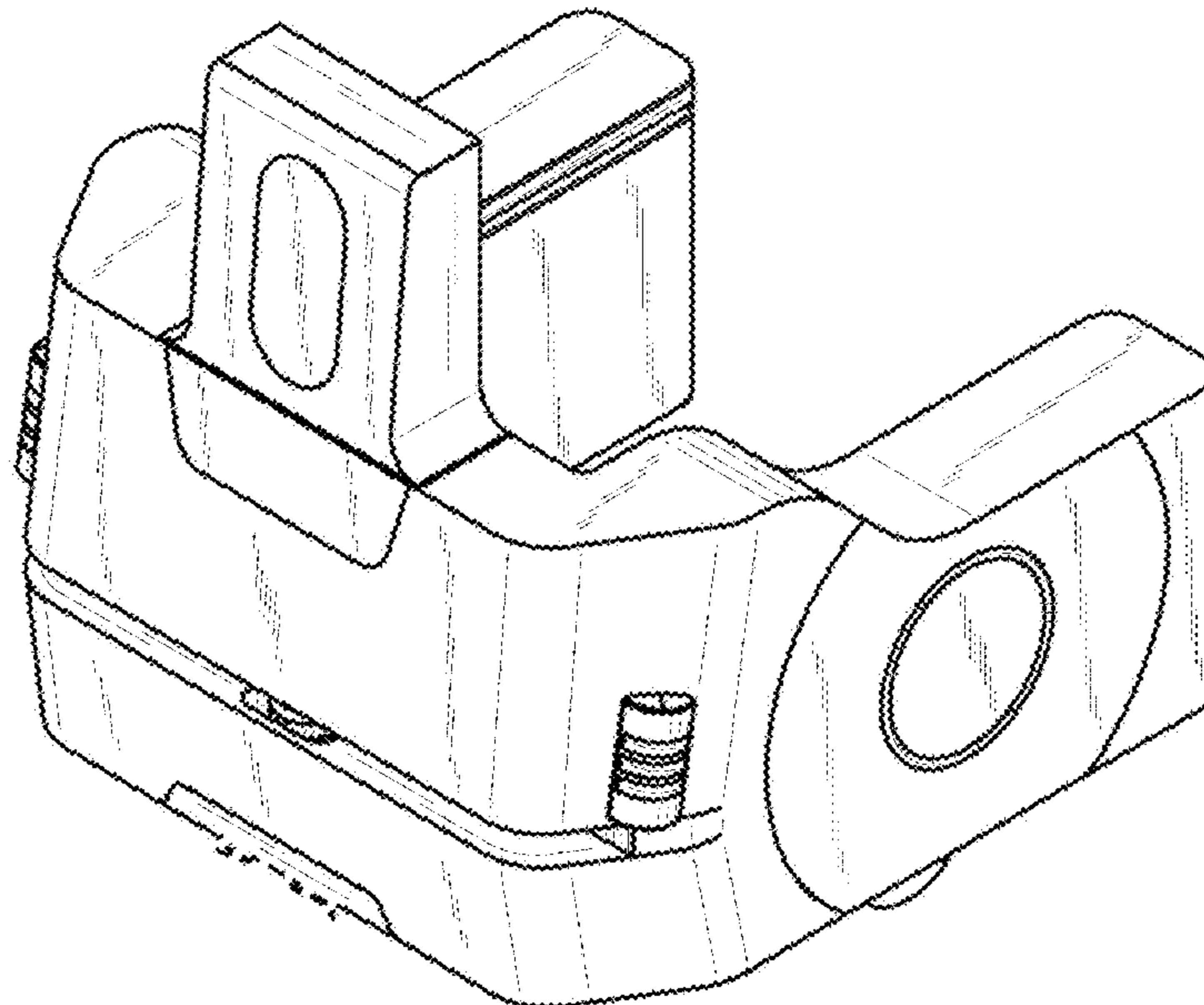


FIG. 1

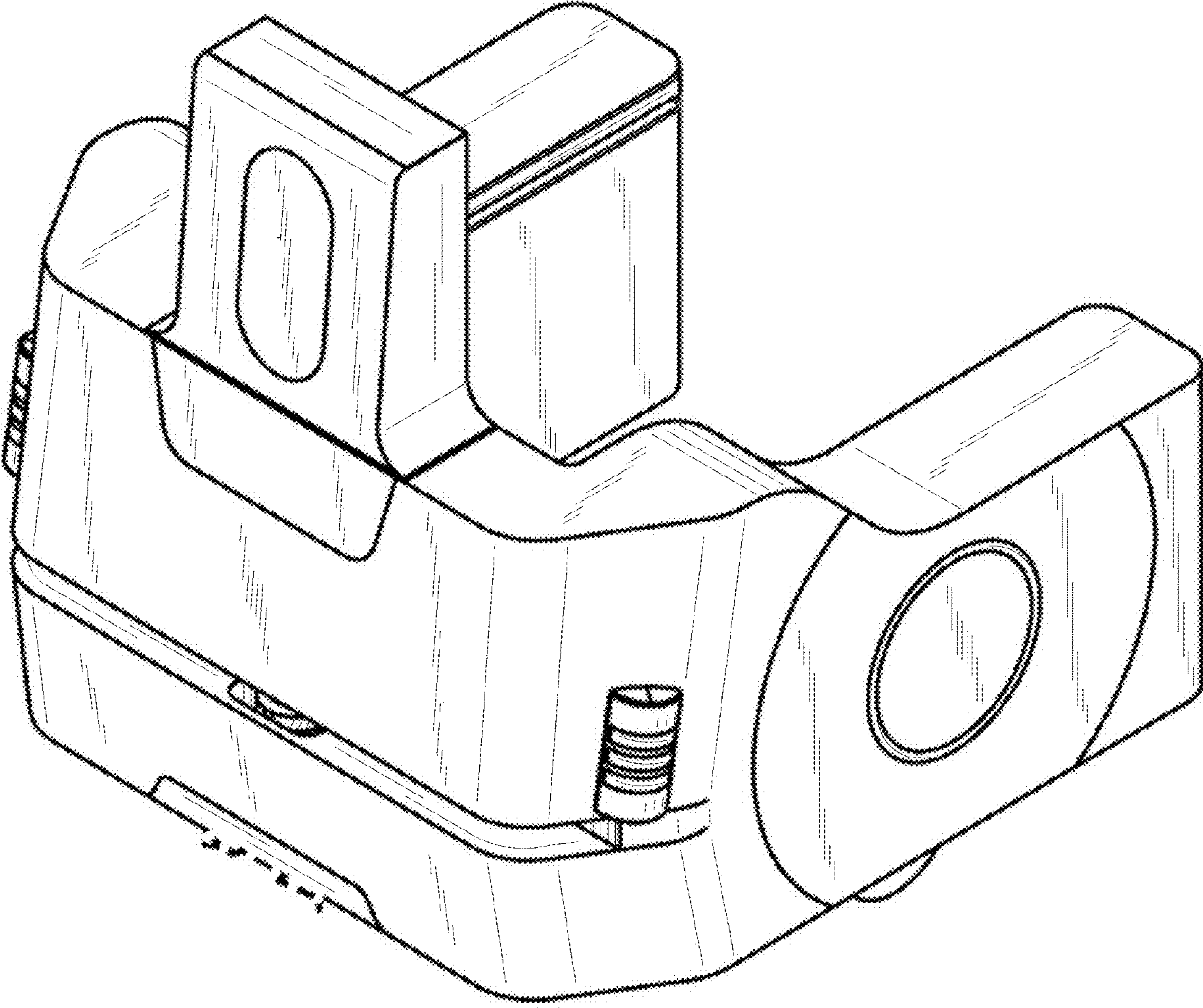


FIG. 2

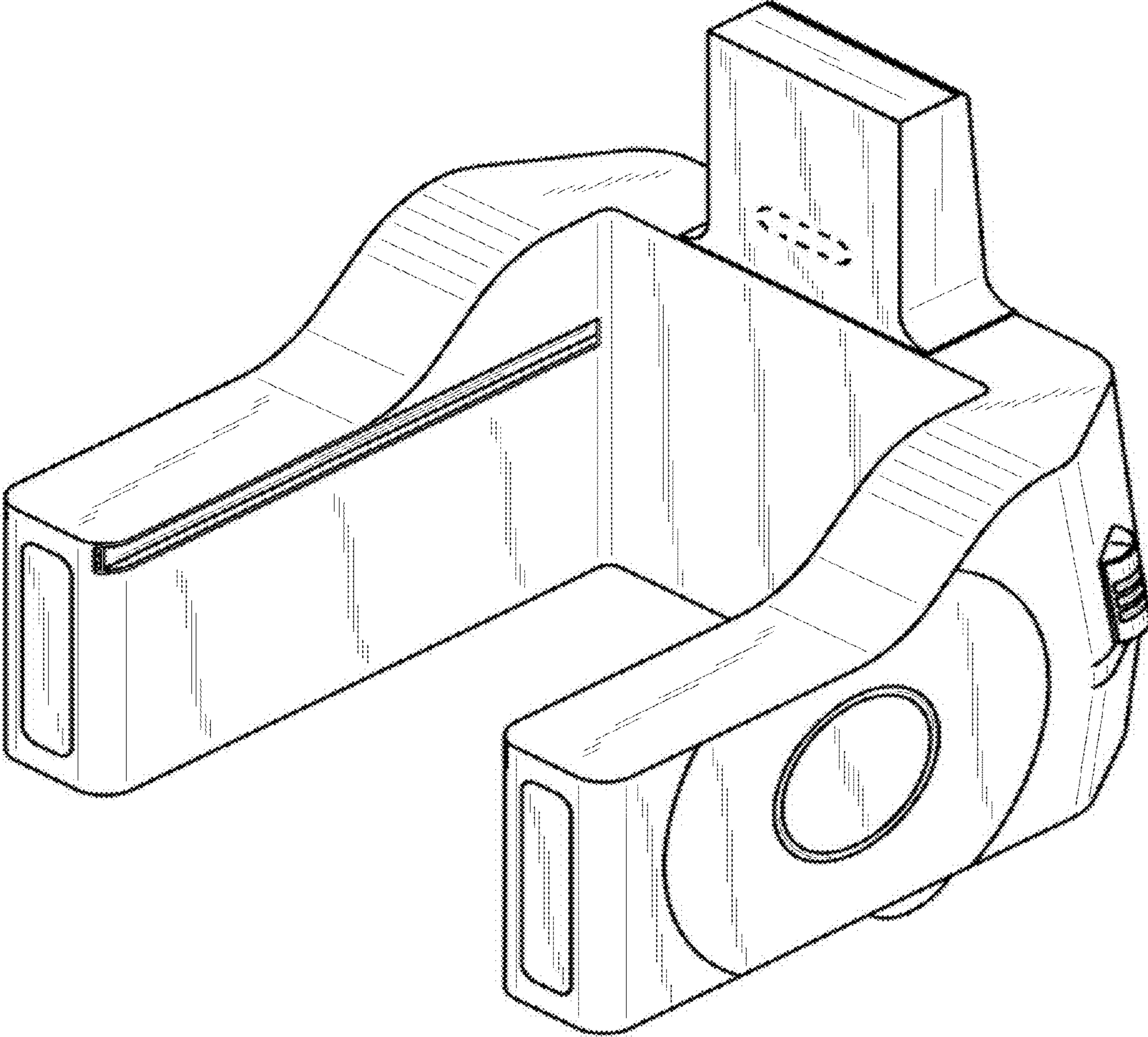


FIG. 3

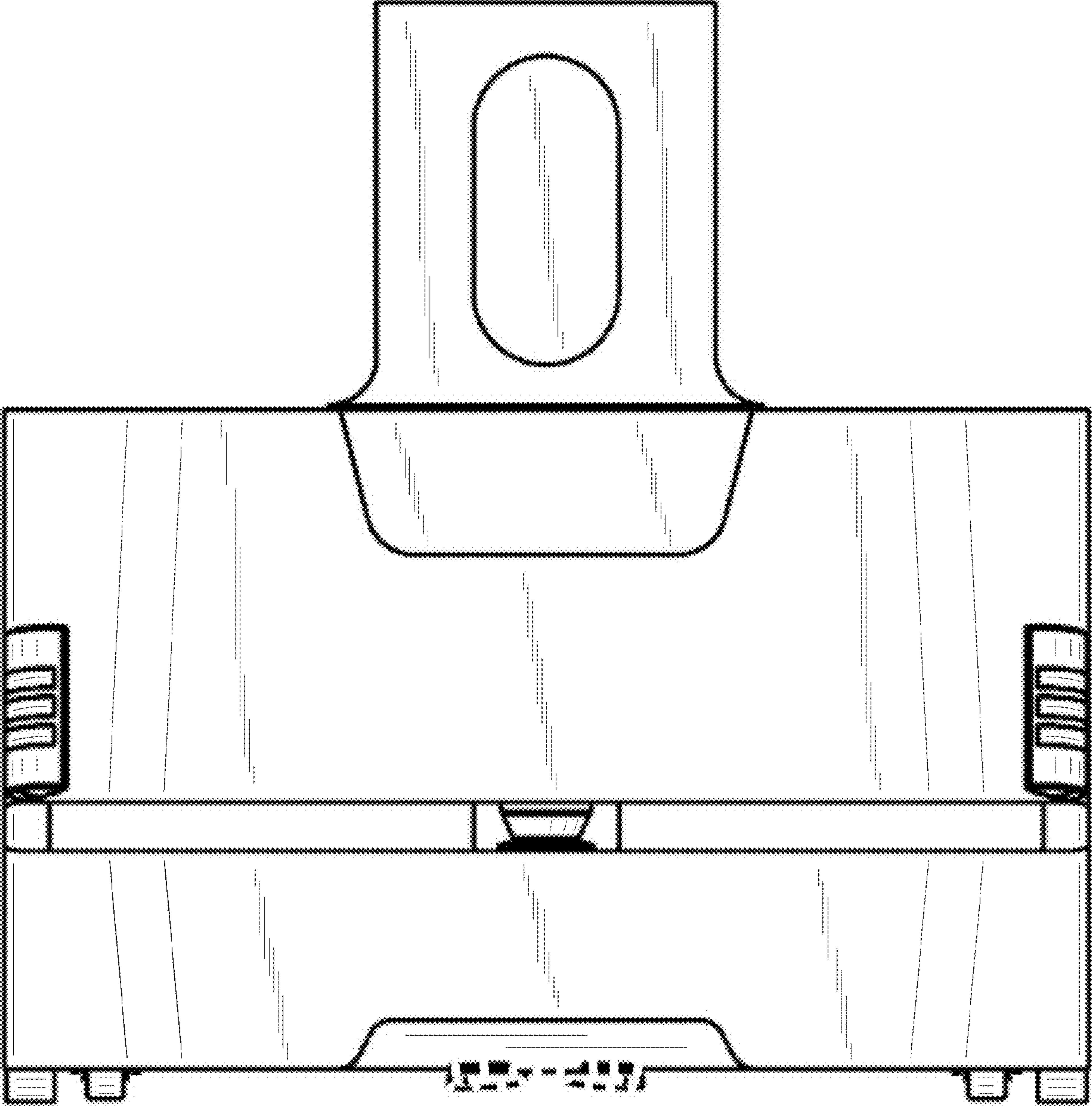


FIG. 4

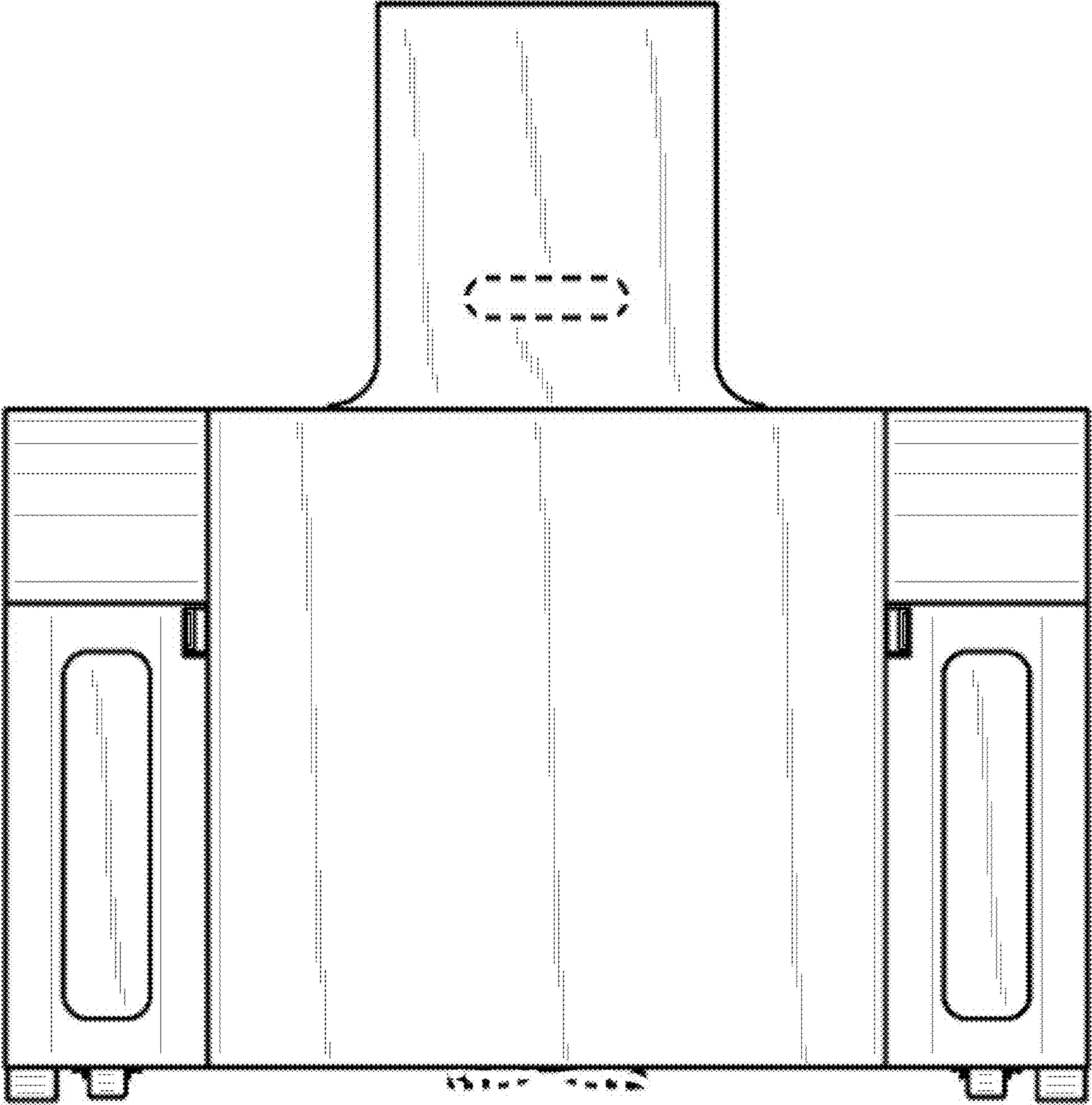


FIG. 5

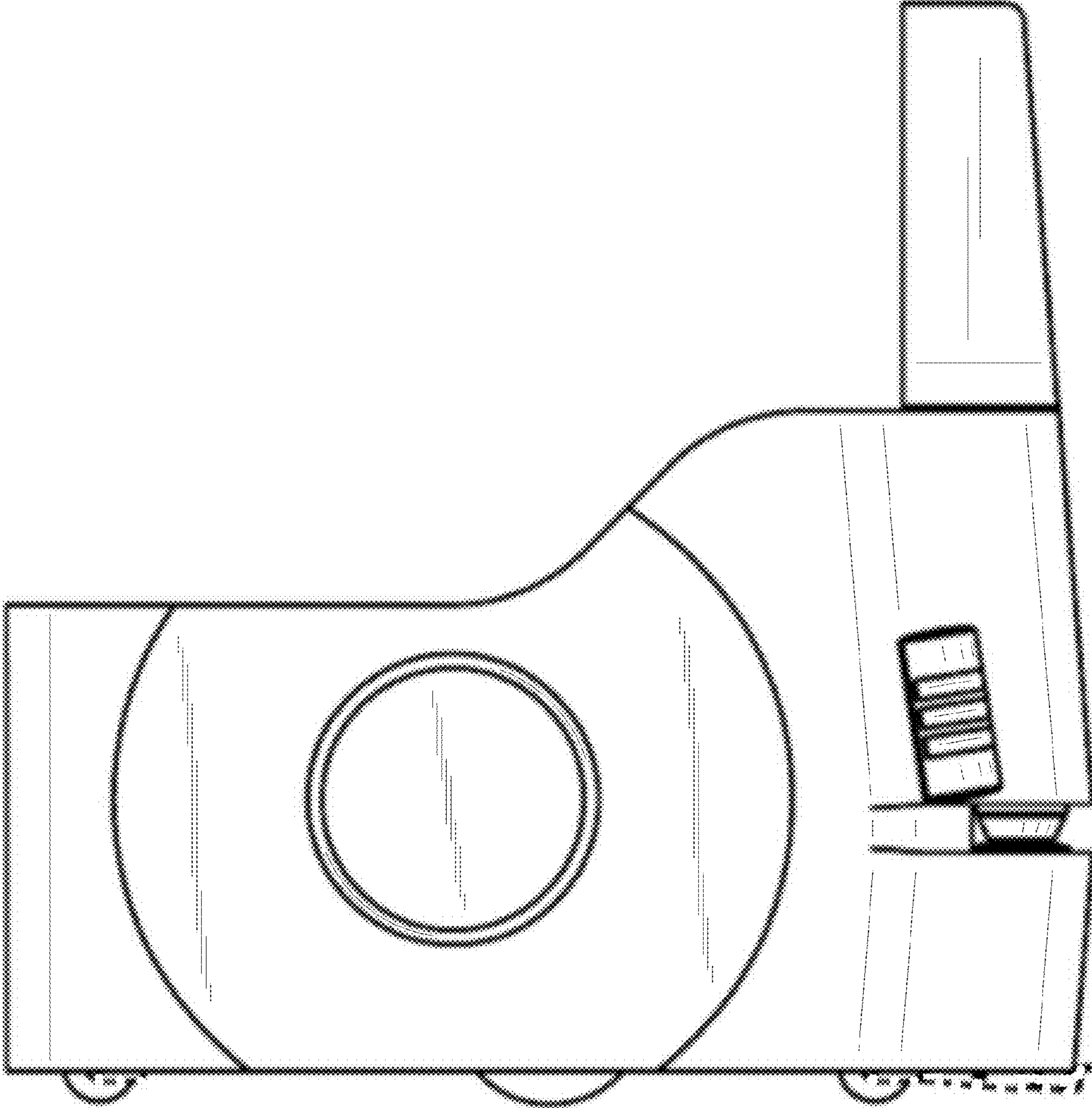


FIG. 6

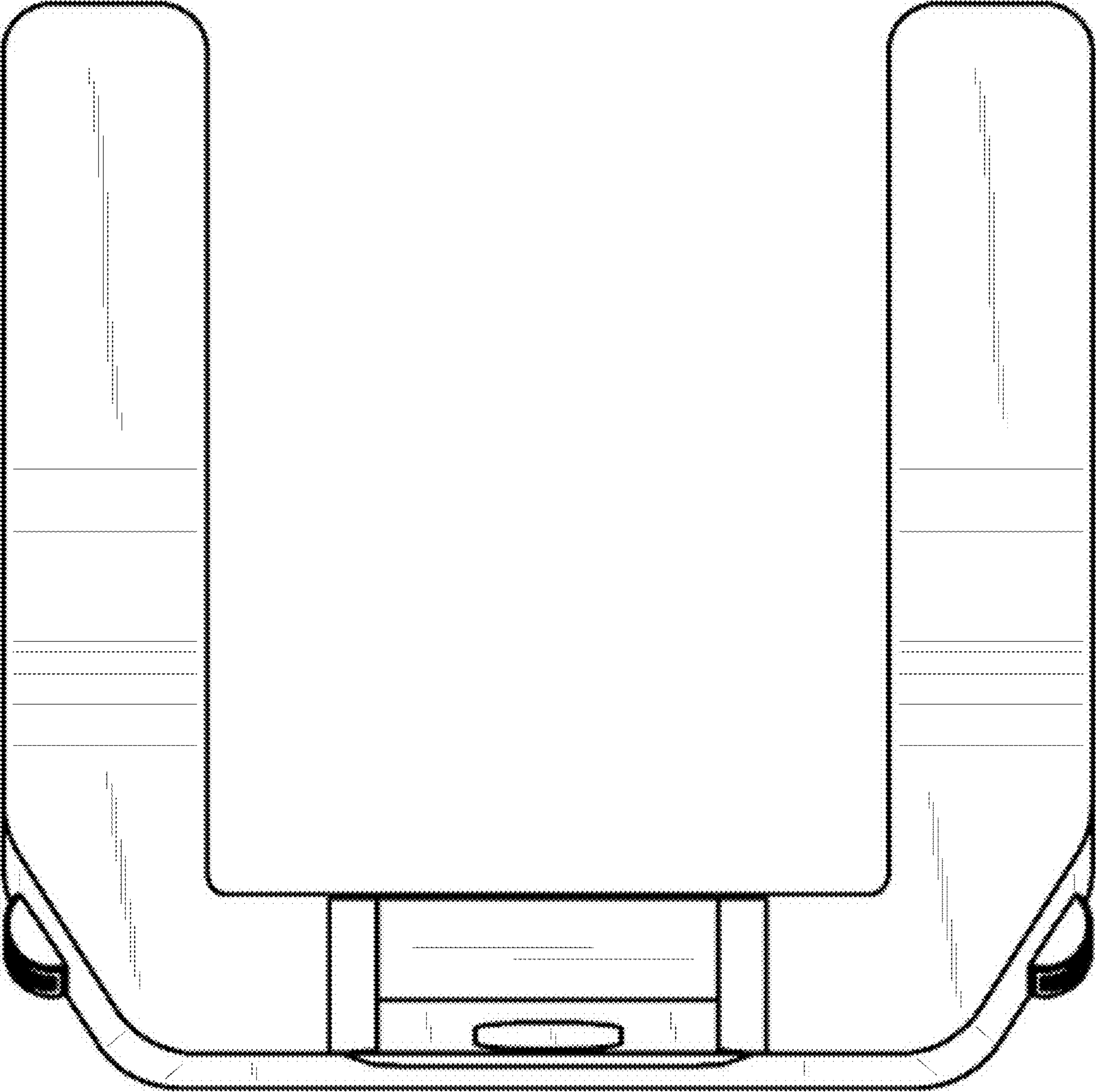


FIG. 7

