



US00D982047S

(12) **United States Design Patent**  
**Li**

(10) **Patent No.:** **US D982,047 S**  
(45) **Date of Patent:** **\*\* Mar. 28, 2023**

(54) **LOGISTICS ROBOT**

(71) Applicant: **BEIJING JINGDONG QIANSHI TECHNOLOGY CO., LTD.**, Beijing (CN)

(72) Inventor: **Li Li**, Beijing (CN)

(73) Assignee: **BEIJING JINGDONG QIANSHI TECHNOLOGY CO., LTD.**, Beijing (CN)

(\*\*) Term: **15 Years**

(21) Appl. No.: **29/795,741**

(22) Filed: **Jun. 21, 2021**

(30) **Foreign Application Priority Data**

Dec. 21, 2020 (CN) ..... 202030788651.8

(51) **LOC (14) Cl.** ..... **15-99**

(52) **U.S. Cl.**  
USPC ..... **D15/199**

(58) **Field of Classification Search**  
USPC ..... D12/1; D15/199; D32/21; D34/12, 24, D34/28, 34  
CPC ..... B25J 5/00; B25J 5/007; B60L 2200/44; B66F 9/063; G05B 19/41895; G05D 1/027; G05D 1/0011; G05D 1/0231; G05D 1/0242; G05D 2201/0216; Y10S 901/00; Y10S 901/01; Y10S 901/07; Y10S 901/08  
See application file for complete search history.

(56) **References Cited**

**U.S. PATENT DOCUMENTS**

5,154,249 A \* 10/1992 Yardley ..... B62D 49/007 280/496  
8,790,061 B2 \* 7/2014 Yamashita ..... B65G 1/0435 414/280

D810,799 S \* 2/2018 Sokuza ..... D15/199  
10,202,061 B2 \* 2/2019 Scherle ..... B66F 9/063  
D857,072 S \* 8/2019 Cyrulik ..... D15/199  
D863,387 S \* 10/2019 Wang ..... D15/199  
D864,270 S \* 10/2019 Hu ..... D15/199  
D865,021 S \* 10/2019 Hu ..... D15/199  
D871,475 S \* 12/2019 Kolb ..... D15/199  
D871,477 S \* 12/2019 Kolb ..... D15/199  
D871,478 S \* 12/2019 Wang ..... D15/199  
D873,173 S \* 1/2020 Brucker ..... D12/1  
D873,174 S \* 1/2020 Sokuza ..... D12/1  
D879,852 S \* 3/2020 Chen ..... D15/199  
D880,550 S \* 4/2020 Sokuza ..... D15/199  
D886,173 S \* 6/2020 Sokuza ..... D15/199  
D886,174 S \* 6/2020 Blomgren ..... D15/199  
D887,468 S \* 6/2020 Hirvesaar ..... D15/199  
D896,858 S \* 9/2020 Kapuria ..... D15/199  
D898,790 S \* 10/2020 Sokuza ..... D15/199  
D899,475 S \* 10/2020 Xiao ..... D15/199  
D902,272 S \* 11/2020 Cascajar Ordóñez ..... D15/199  
D902,277 S \* 11/2020 Sakaguchi ..... D15/199  
D906,390 S \* 12/2020 Kapuria ..... D15/199

(Continued)

*Primary Examiner* — Patricia A Palasik

(74) *Attorney, Agent, or Firm* — Myers Bigel, P.A.

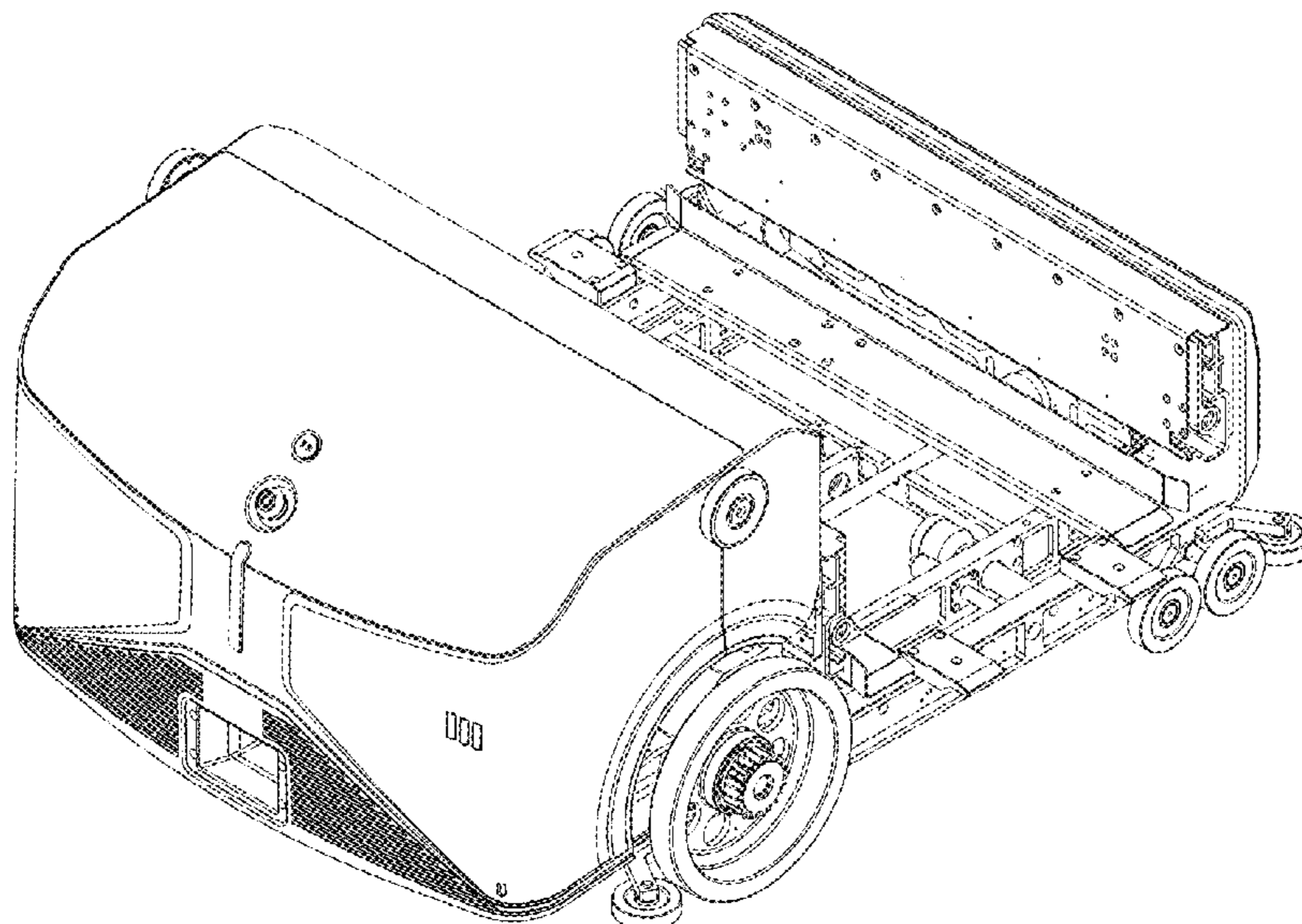
(57) **CLAIM**

The ornamental design for a logistics robot, as shown and described.

**DESCRIPTION**

FIG. 1 is a top, front, left side perspective view of a logistics robot showing my new design;  
FIG. 2 is a front view thereof;  
FIG. 3 is a rear view thereof;  
FIG. 4 is a left view thereof;  
FIG. 5 is a right view thereof;  
FIG. 6 is a top view thereof; and,  
FIG. 7 is a bottom view thereof.  
The broken lines in FIG. 7 depict portions of the logistics robot that form no part of the claimed design.

**1 Claim, 5 Drawing Sheets**



(56)

**References Cited**

## U.S. PATENT DOCUMENTS

D907,084	S *	1/2021	Kapuria .....	D15/199
D907,677	S *	1/2021	Mork .....	D15/199
D907,678	S *	1/2021	Cai .....	D15/199
D911,406	S *	2/2021	Srivastava .....	D15/199
D914,075	S *	3/2021	Sokuza .....	D15/199
D919,685	S *	5/2021	Fan .....	D15/199
D924,955	S *	7/2021	Hoshino .....	D15/199
D929,478	S *	8/2021	Mork .....	D15/199
D929,479	S *	8/2021	Gao .....	D15/199
D929,480	S *	8/2021	Gao .....	D15/199
D950,616	S *	5/2022	Kapuria .....	D15/199
2004/0042885	A1 *	3/2004	Rokkaku .....	B60L 15/38 414/529
2009/0035181	A1 *	2/2009	Chung .....	G01N 35/04 422/68.1
2010/0230196	A1 *	9/2010	Nishimura .....	B60L 8/003 180/165
2011/0106352	A1 *	5/2011	Scheuerman .....	G05D 1/0265 701/22
2013/0340529	A1 *	12/2013	Lama .....	G01N 29/226 901/1
2017/0144502	A1 *	5/2017	Bae .....	B65G 1/04
2017/0182924	A1 *	6/2017	Lendo .....	G05D 1/0261
2018/0072212	A1 *	3/2018	Alfaro .....	B60K 7/0007
2018/0099811	A1 *	4/2018	Shen .....	B66F 3/08

\* cited by examiner

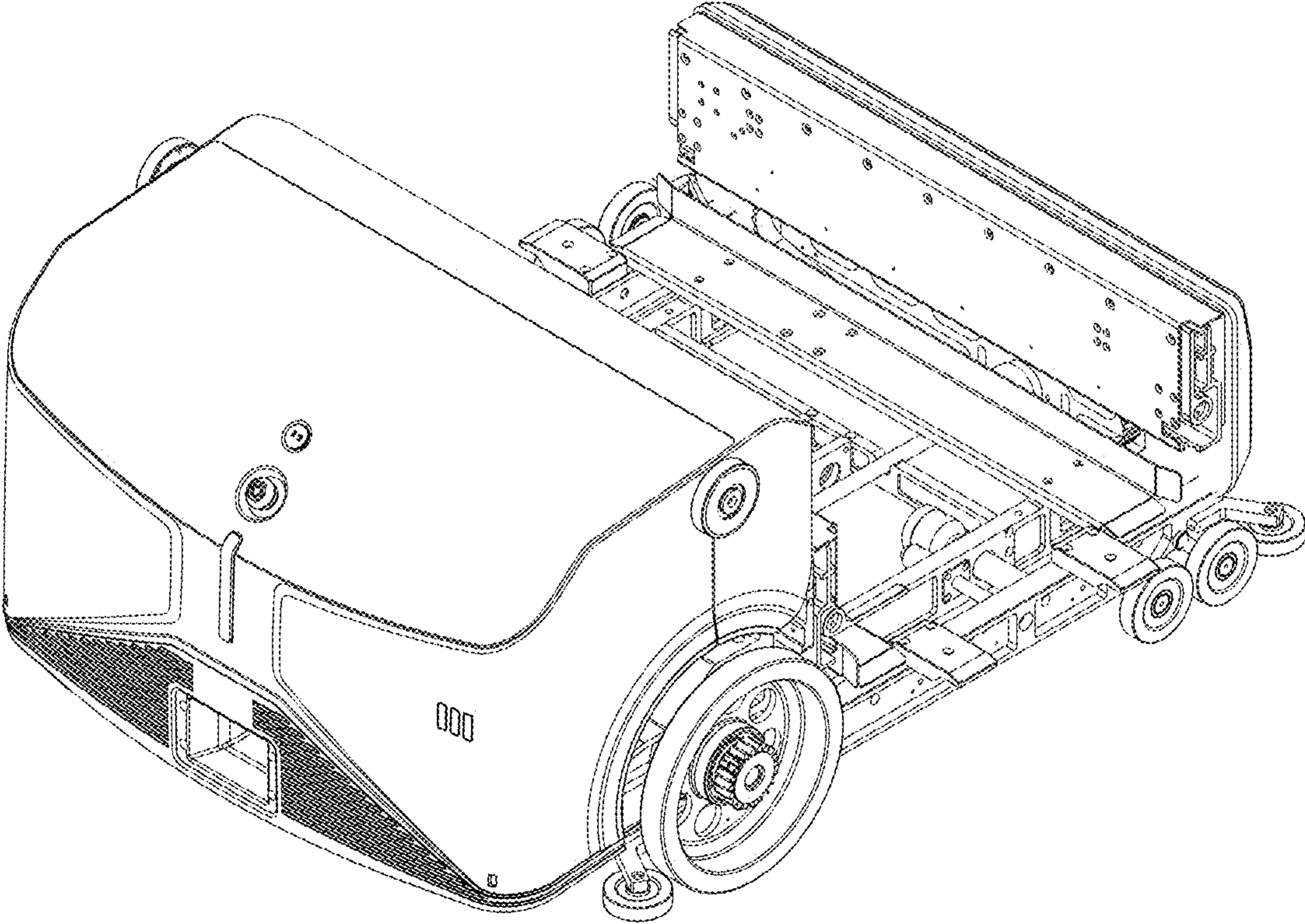


FIG.1

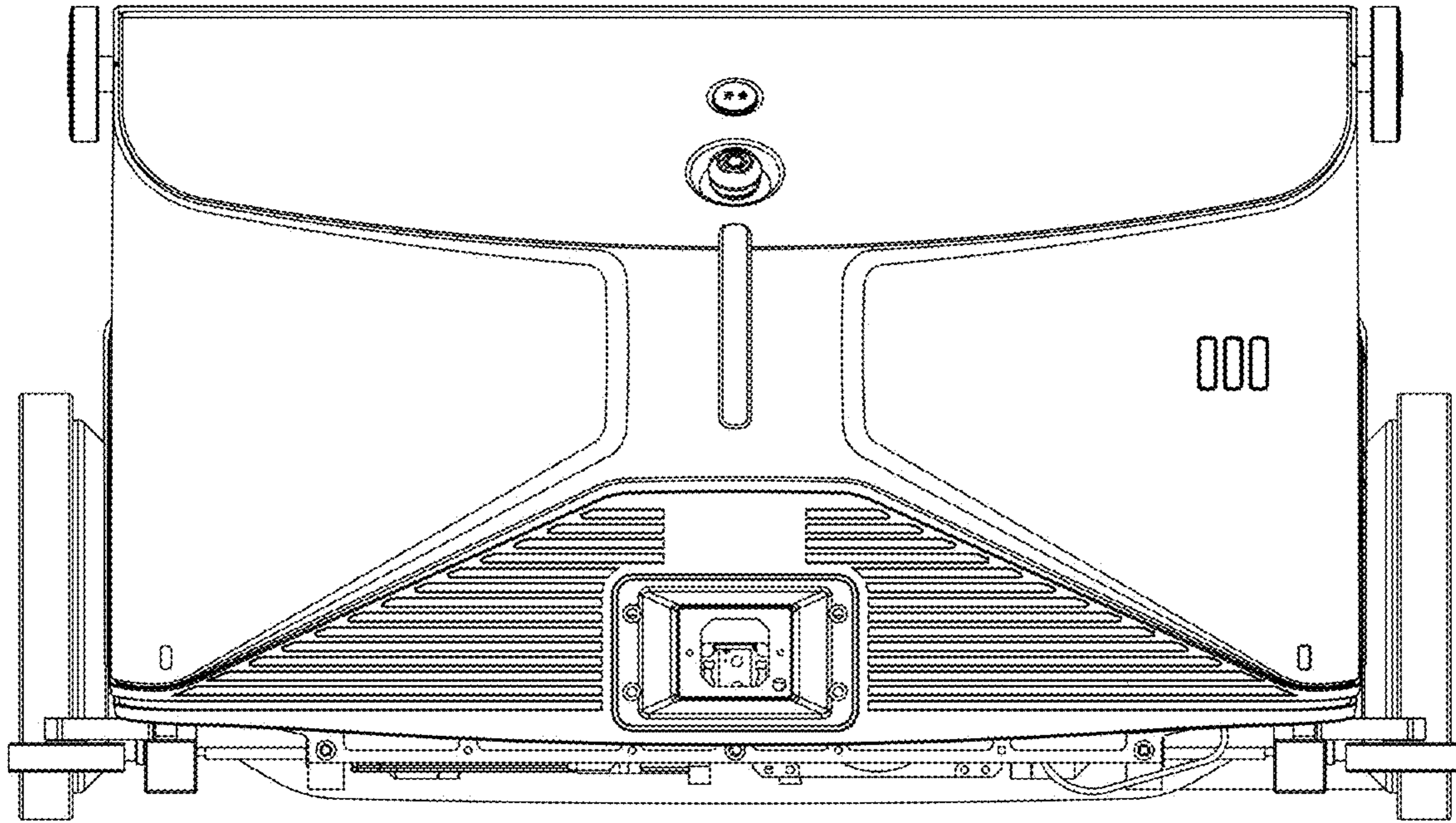


FIG. 2

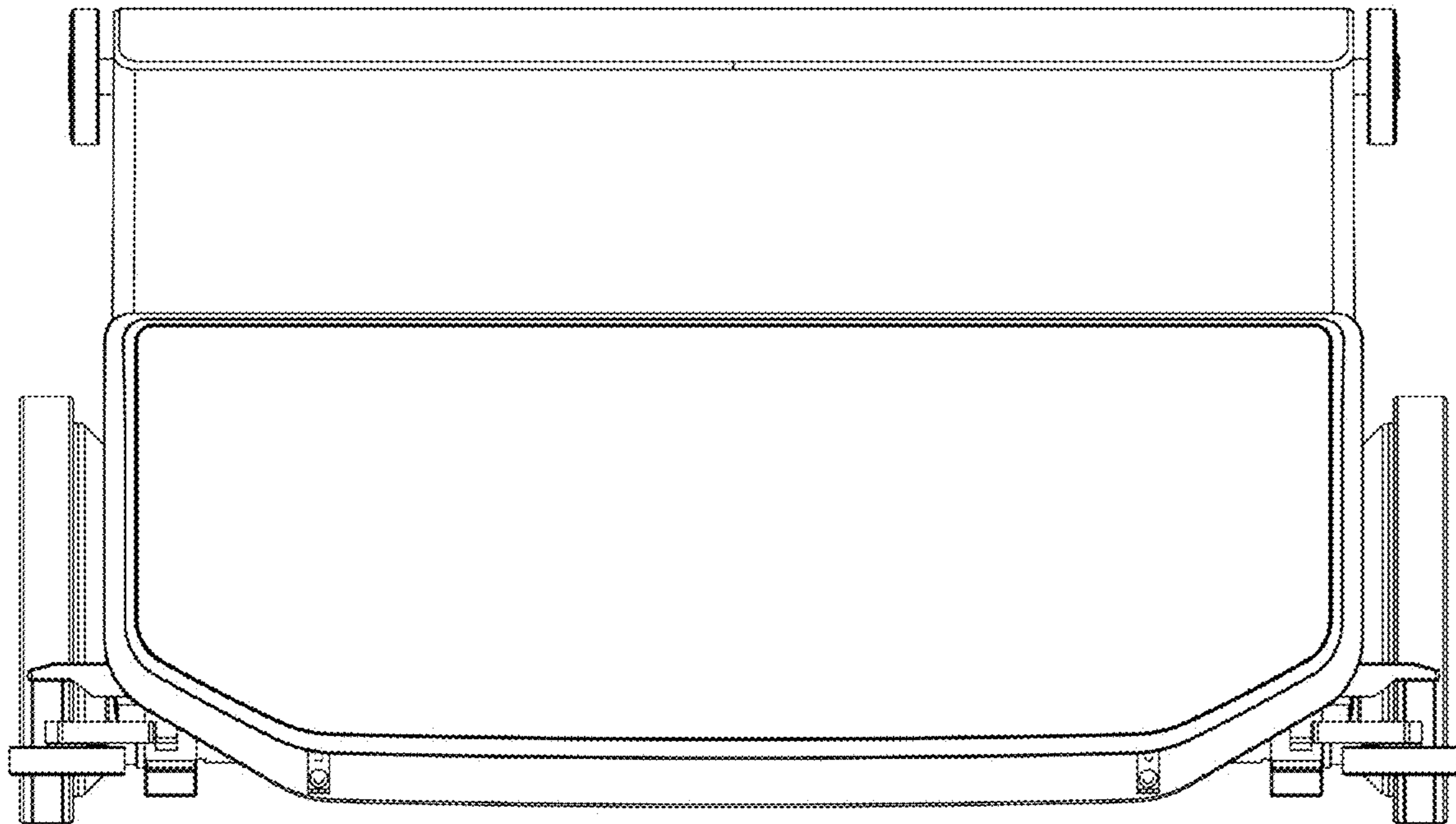


FIG. 3

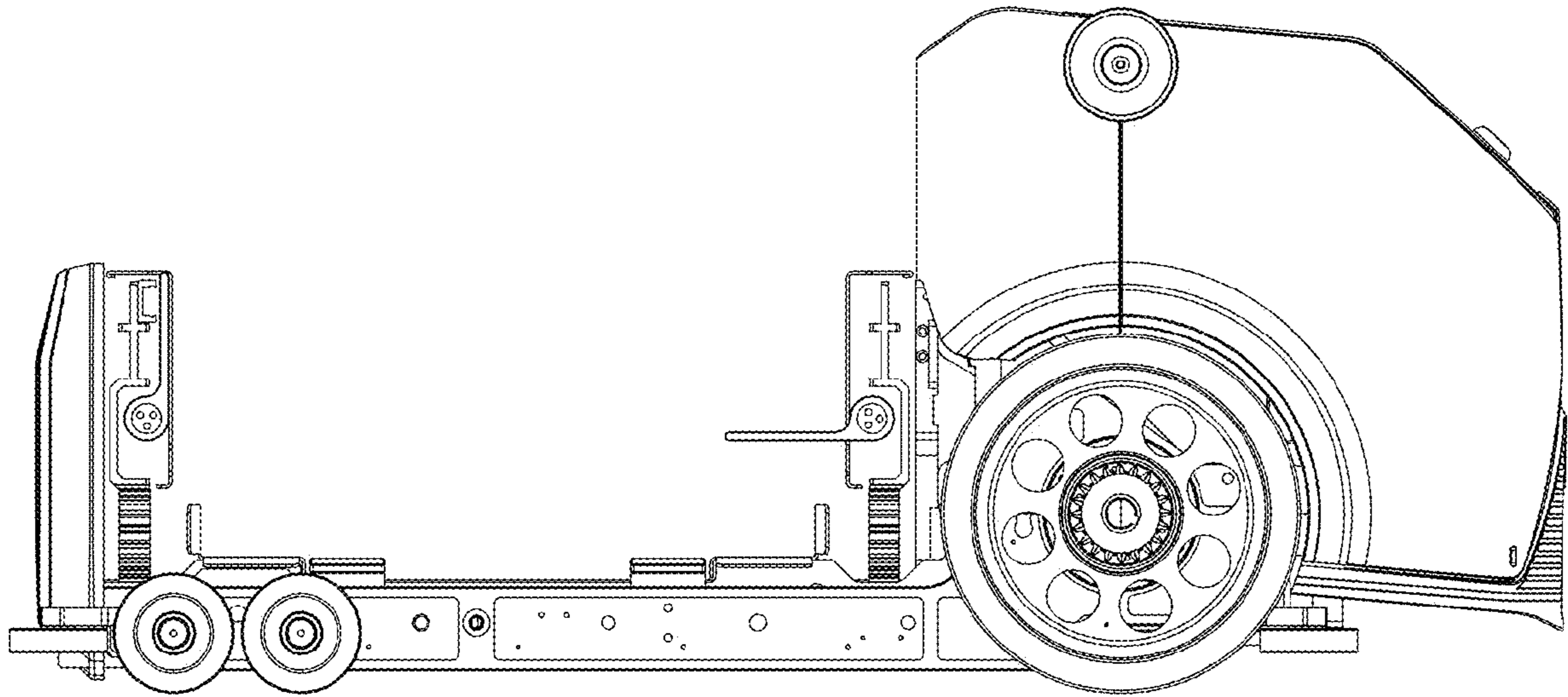


FIG.4

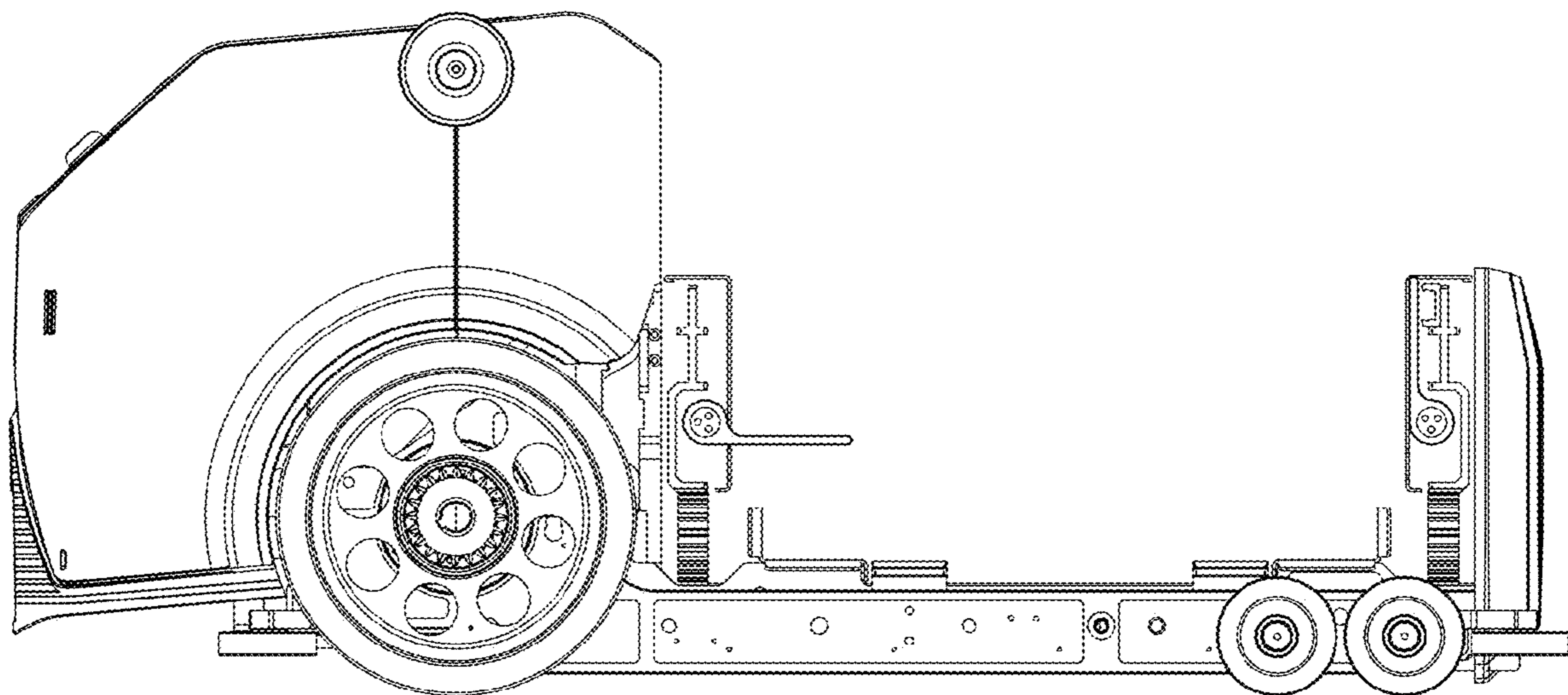


FIG.5

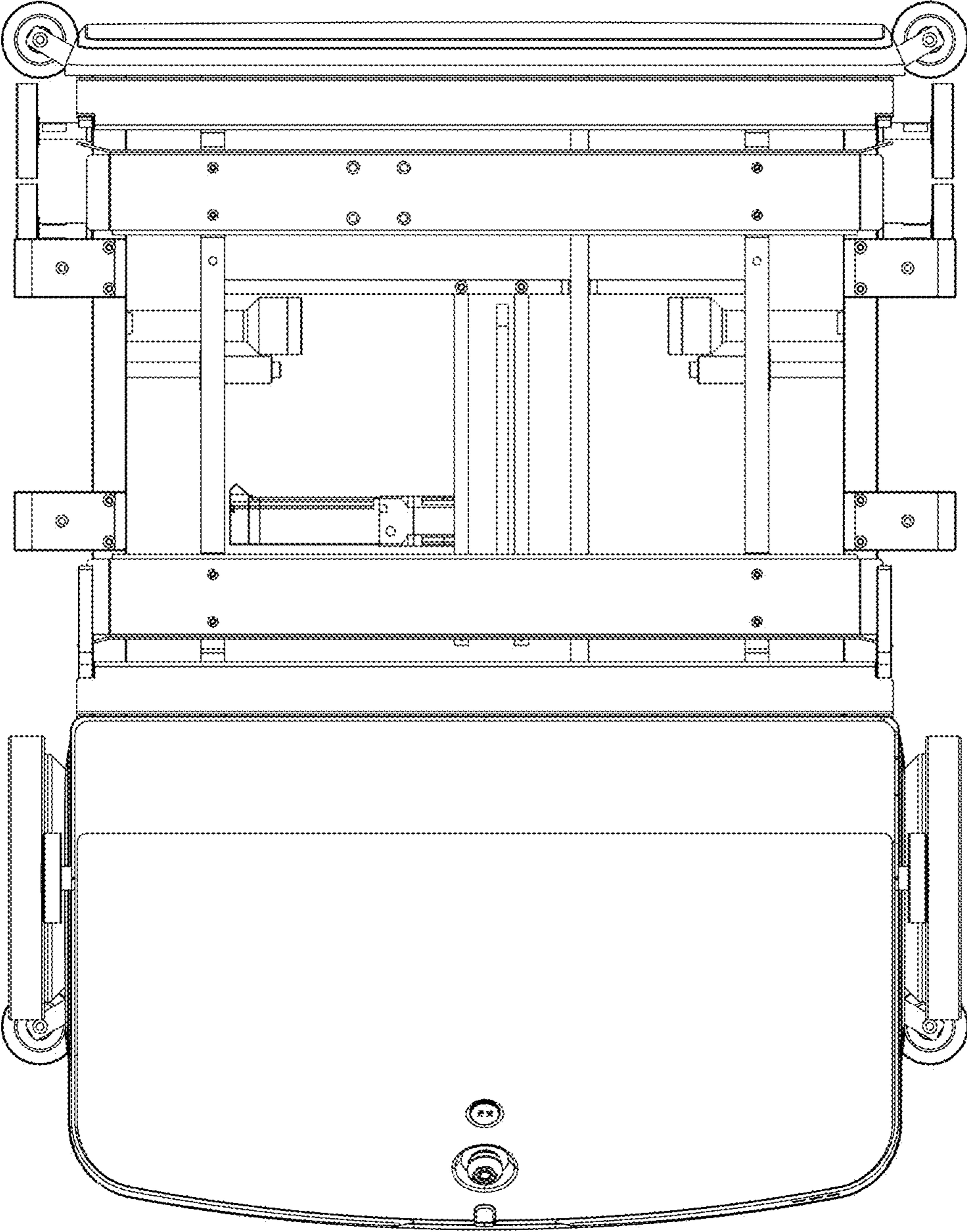


FIG.6

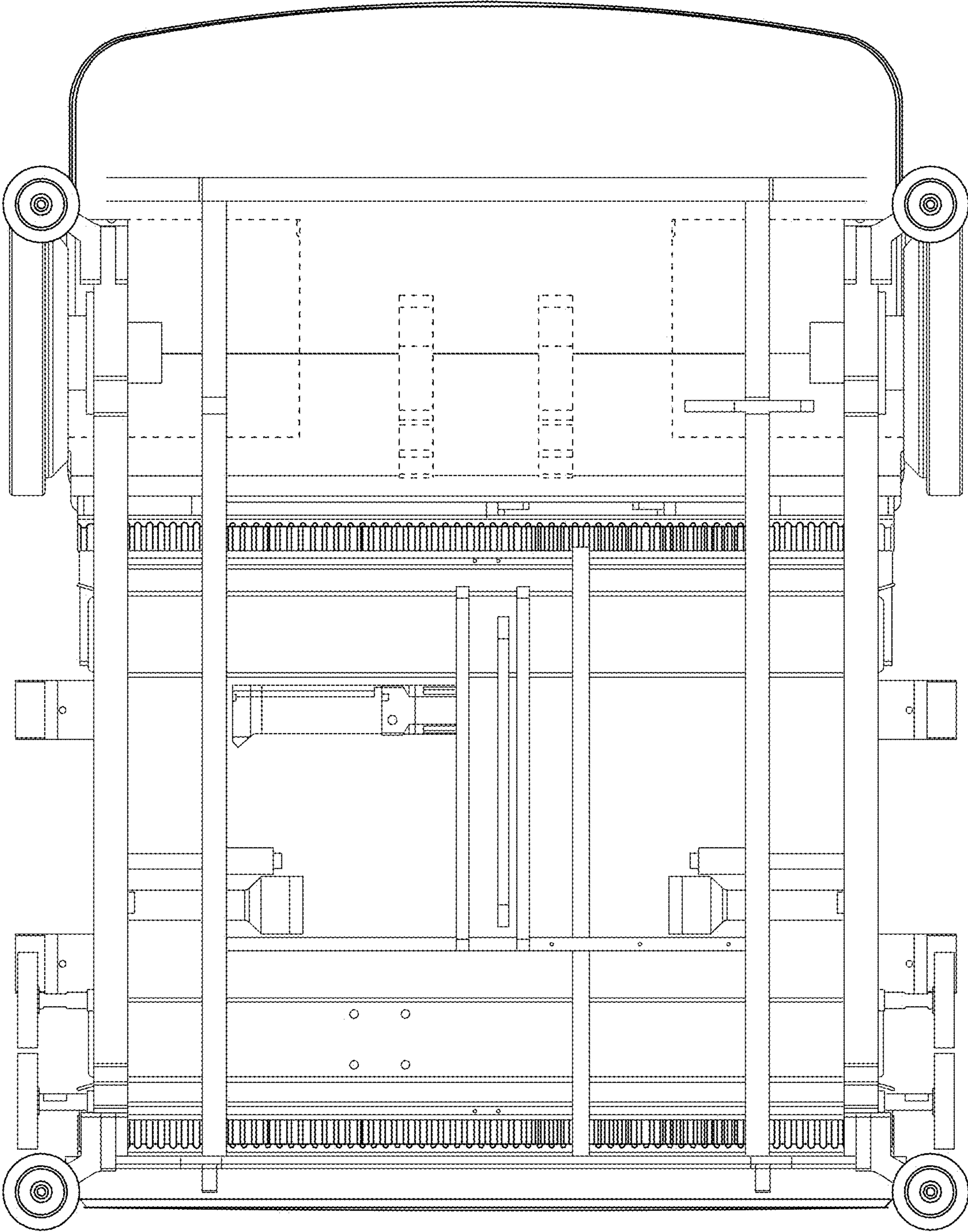


FIG.7