



US00D982045S

(12) **United States Design Patent** (10) **Patent No.:** **US D982,045 S**  
**Lu** (45) **Date of Patent:** **\*\* Mar. 28, 2023**

(54) **FLOWER POT MOLD**

(71) Applicant: **Yao Lu**, Handan (CN)

(72) Inventor: **Yao Lu**, Handan (CN)

(\*\*) Term: **15 Years**

(21) Appl. No.: **29/882,617**

(22) Filed: **Jan. 17, 2023**

(51) **LOC (14) Cl.** ..... **15-09**

(52) **U.S. Cl.**  
USPC ..... **D15/136**; D11/152

(58) **Field of Classification Search**  
USPC ..... D11/143, 144, 145, 152, 153, 154;  
D6/403, 512, 677, 683; D26/55; D8/1;  
D9/141, 424, 456; D19/109; D7/672;  
D21/472; D15/135, 136  
CPC . A01G 9/02; A01G 9/04; A01G 9/021; A01G  
9/042; A47G 7/00; A47G 7/02; A47G  
7/04; A21B 3/13

See application file for complete search history.

(56) **References Cited**

**U.S. PATENT DOCUMENTS**

75,555	A *	3/1868	Lilley	.....	A01G 9/04 47/71
1,627,757	A *	5/1927	Von Elm	.....	A21B 3/13 249/DIG. 1
1,906,592	A *	5/1933	Hiester	.....	A21B 3/132 D7/672
2,135,342	A *	11/1938	Jackson	.....	A21B 3/13 249/117
2,290,396	A *	7/1942	Webster	.....	A21B 3/13 99/428
D196,777	S *	11/1963	Hayes	.....	D30/132
4,395,015	A *	7/1983	Reardon	.....	A21B 3/13 D7/357
D296,485	S *	6/1988	Peterson	.....	D30/132
D298,304	S *	11/1988	Meyer	.....	D30/129
5,564,226	A *	10/1996	Paramest	.....	A01G 9/02 47/71

D488,741	S *	4/2004	Moya	.....	D11/143
D504,581	S *	5/2005	Kim	.....	A01M 29/34 D6/677
D574,183	S *	8/2008	Broom	.....	D7/354
D589,761	S *	4/2009	Ablo	.....	D7/677
D598,224	S *	8/2009	Zanini	.....	A21B 3/13 D11/152

(Continued)

**OTHER PUBLICATIONS**

Flower Pot Silicone Mold. Online [website]. Amazon, Apr. 28, 2022, [retrieved on Feb. 6, 2023]. Retrieved from the internet: <[https://www.amazon.com/Concrete-Silicone-Plaster-Succulent-Planter/dp/B0B9456MKY/ref=sr\\_1\\_33](https://www.amazon.com/Concrete-Silicone-Plaster-Succulent-Planter/dp/B0B9456MKY/ref=sr_1_33)>. (Year: 2022).\*

(Continued)

*Primary Examiner* — Tracey J Bell  
*Assistant Examiner* — Grace Doyle  
(74) *Attorney, Agent, or Firm* — Georgi Korobanov

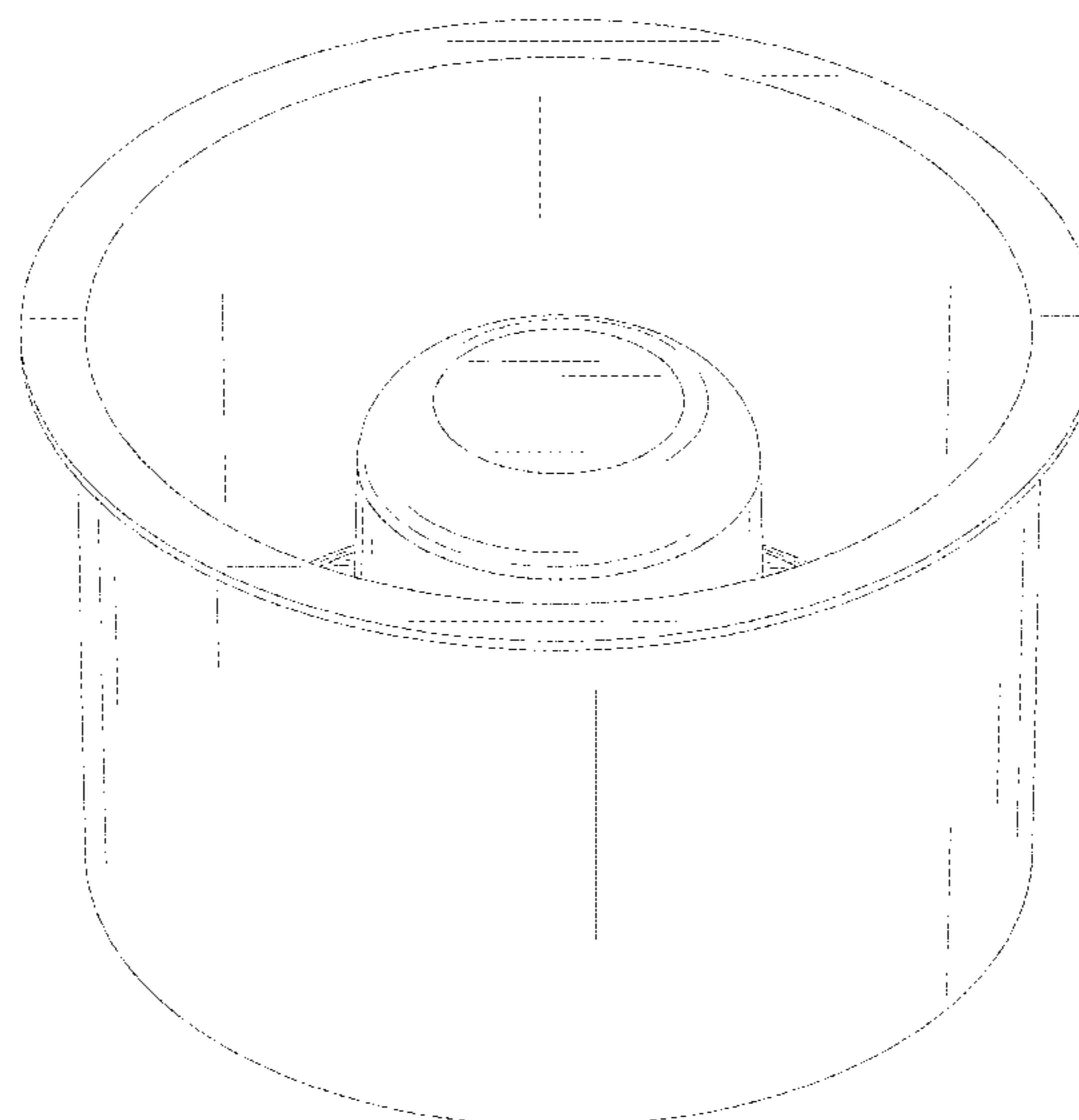
(57) **CLAIM**

The ornamental design for a flower pot mold, as shown and described.

**DESCRIPTION**

FIG. 1 is a front, right and top perspective view of a flower pot mold, showing my new design;  
FIG. 2 is a rear, left and bottom perspective view thereof;  
FIG. 3 is a front, right and top perspective view thereof;  
FIG. 4 is a front view thereof;  
FIG. 5 is a rear view thereof;  
FIG. 6 is a left side view thereof;  
FIG. 7 is a right side view thereof;  
FIG. 8 is a top plan view thereof;  
FIG. 9 is a bottom plan view thereof; and,  
FIG. 10 is a section view of the front view of the flower pot mold.

**1 Claim, 10 Drawing Sheets**



(56)

**References Cited**

U.S. PATENT DOCUMENTS

D626,841 S \* 11/2010 Russo ..... A21B 3/132  
D9/414  
D630,124 S \* 1/2011 Connell ..... A21B 3/13  
D11/152  
D663,472 S \* 7/2012 Williams ..... D26/112  
D700,224 S 2/2014 Knoch  
D706,163 S \* 6/2014 Roth ..... A21B 3/13  
D11/152  
D803,904 S 11/2017 Frank  
D807,932 S 1/2018 Frank  
D839,935 S \* 2/2019 Carstens ..... D15/136  
D843,757 S \* 3/2019 Krombein ..... D6/677  
2022/0232784 A1 \* 7/2022 Tunes ..... A01M 29/34

OTHER PUBLICATIONS

Pot Mold for Plant. Online [website]. Etsy, publication date unknown, [retrieved on Feb. 6, 2023]. Retrieved from the internet: <[https://www.alibaba.com/product-detail/Creative-silicon-mold-flower-pot-silicone\\_1600264091449.html](https://www.alibaba.com/product-detail/Creative-silicon-mold-flower-pot-silicone_1600264091449.html)>. (Year: 2023).\*

\* cited by examiner

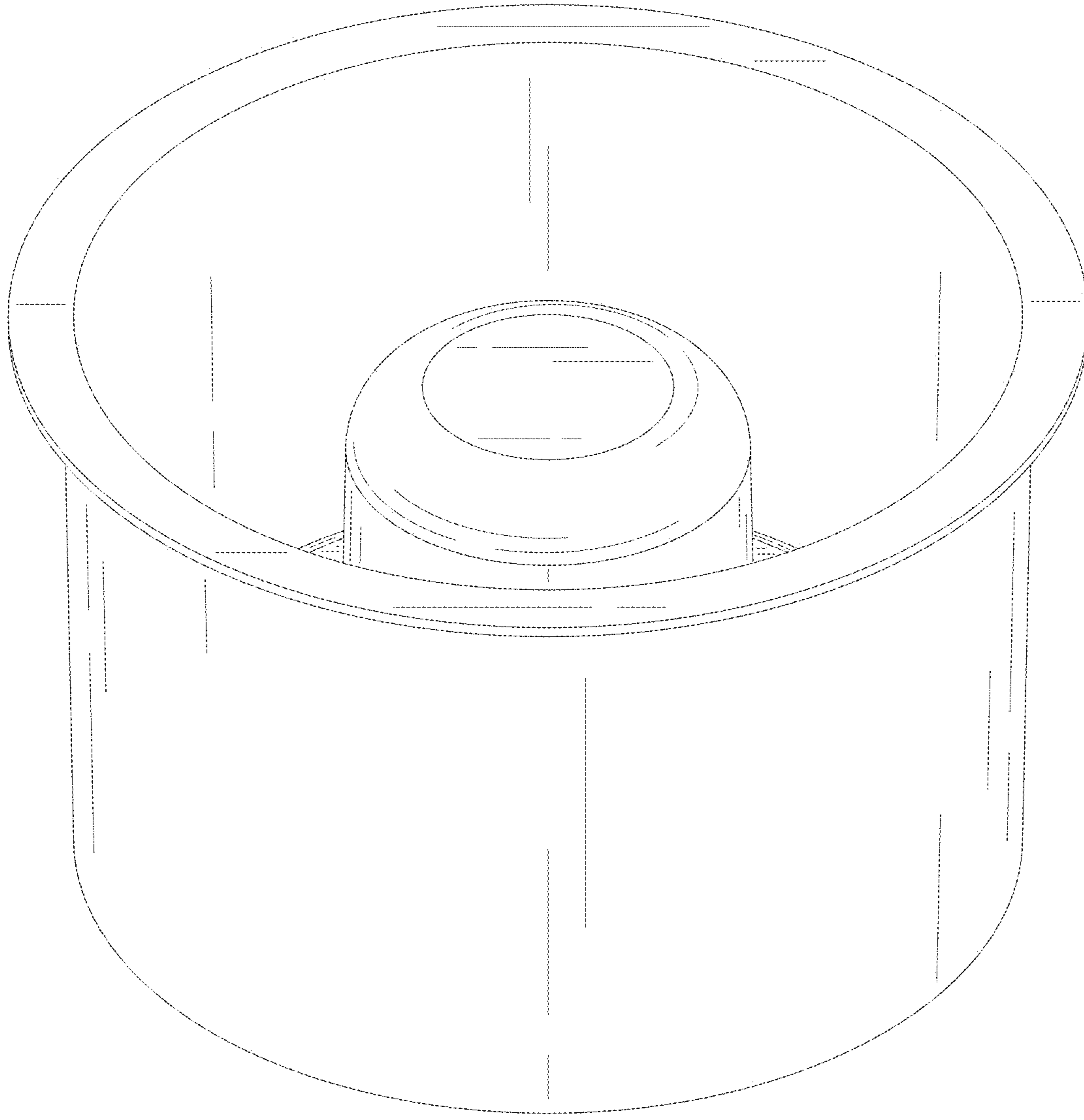


FIG. 1

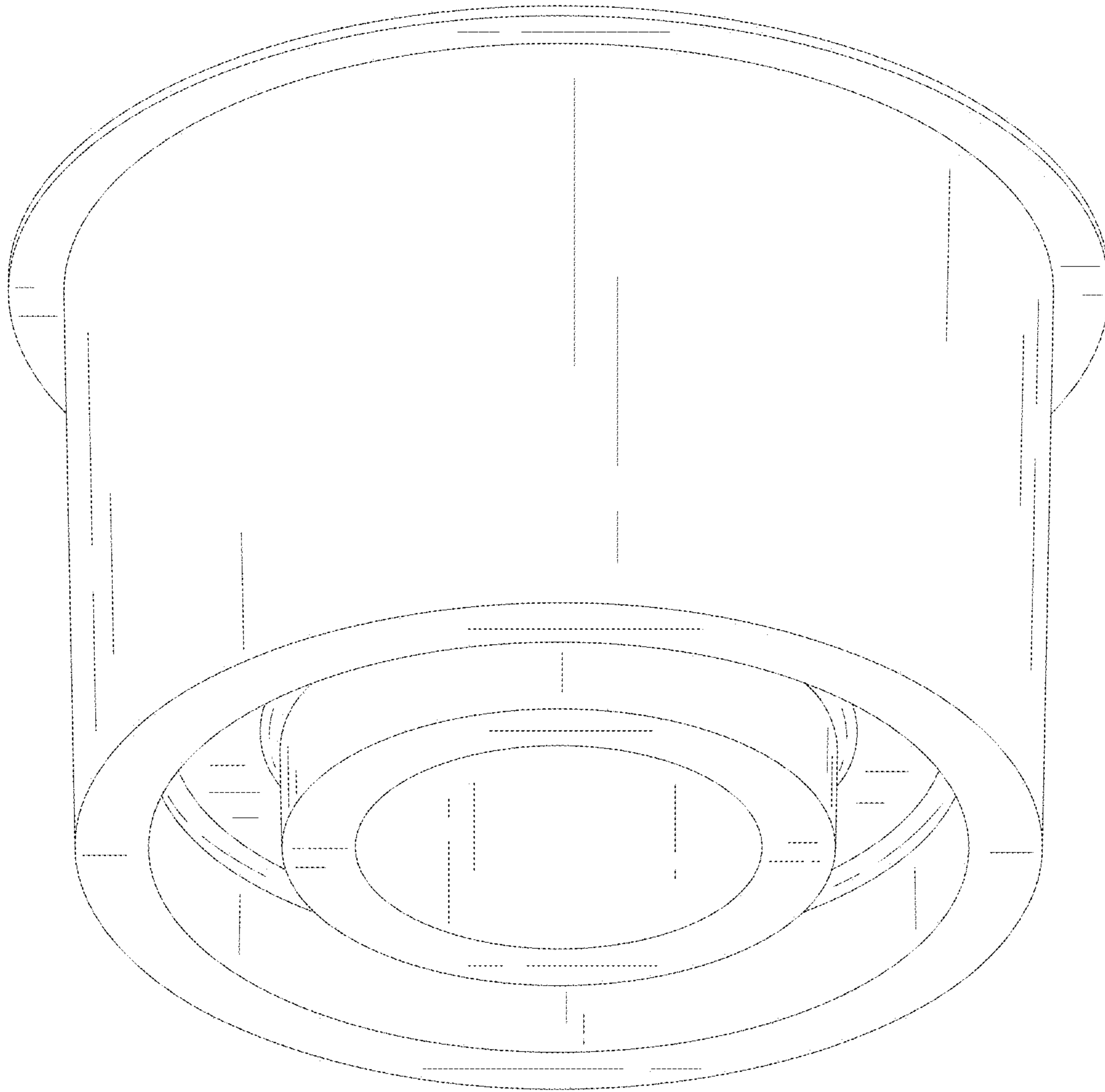


FIG. 2

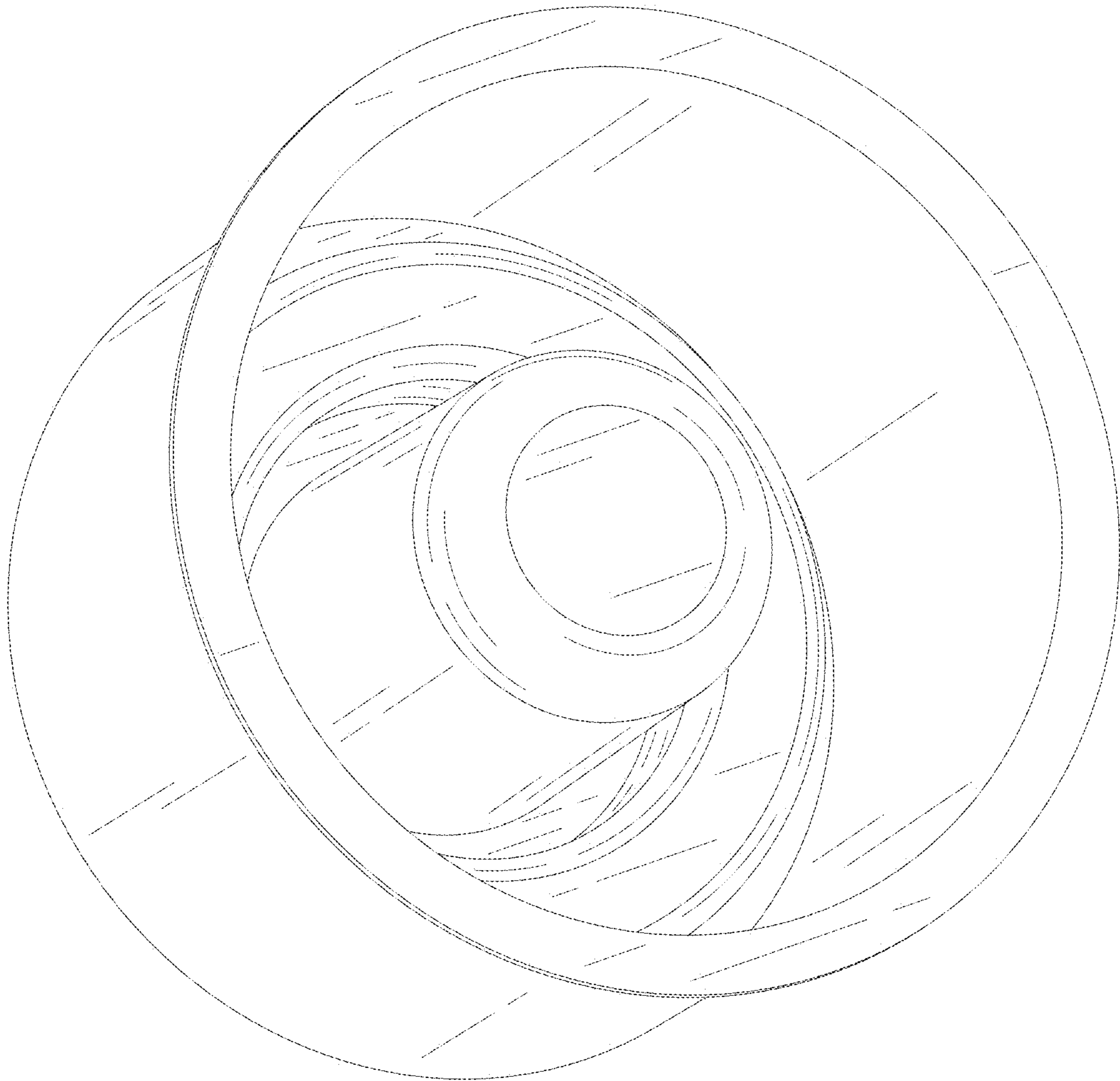


FIG. 3

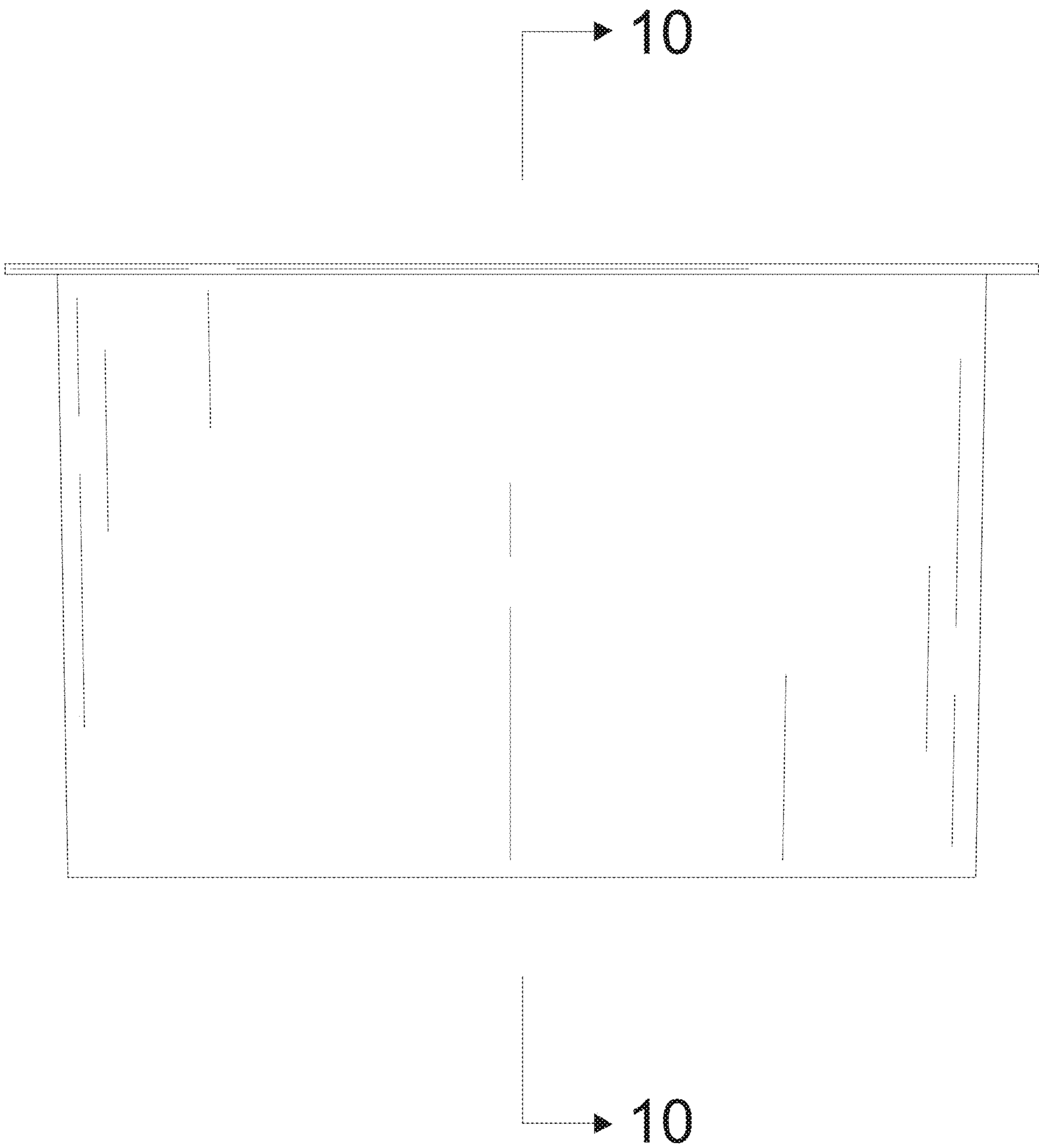


FIG. 4

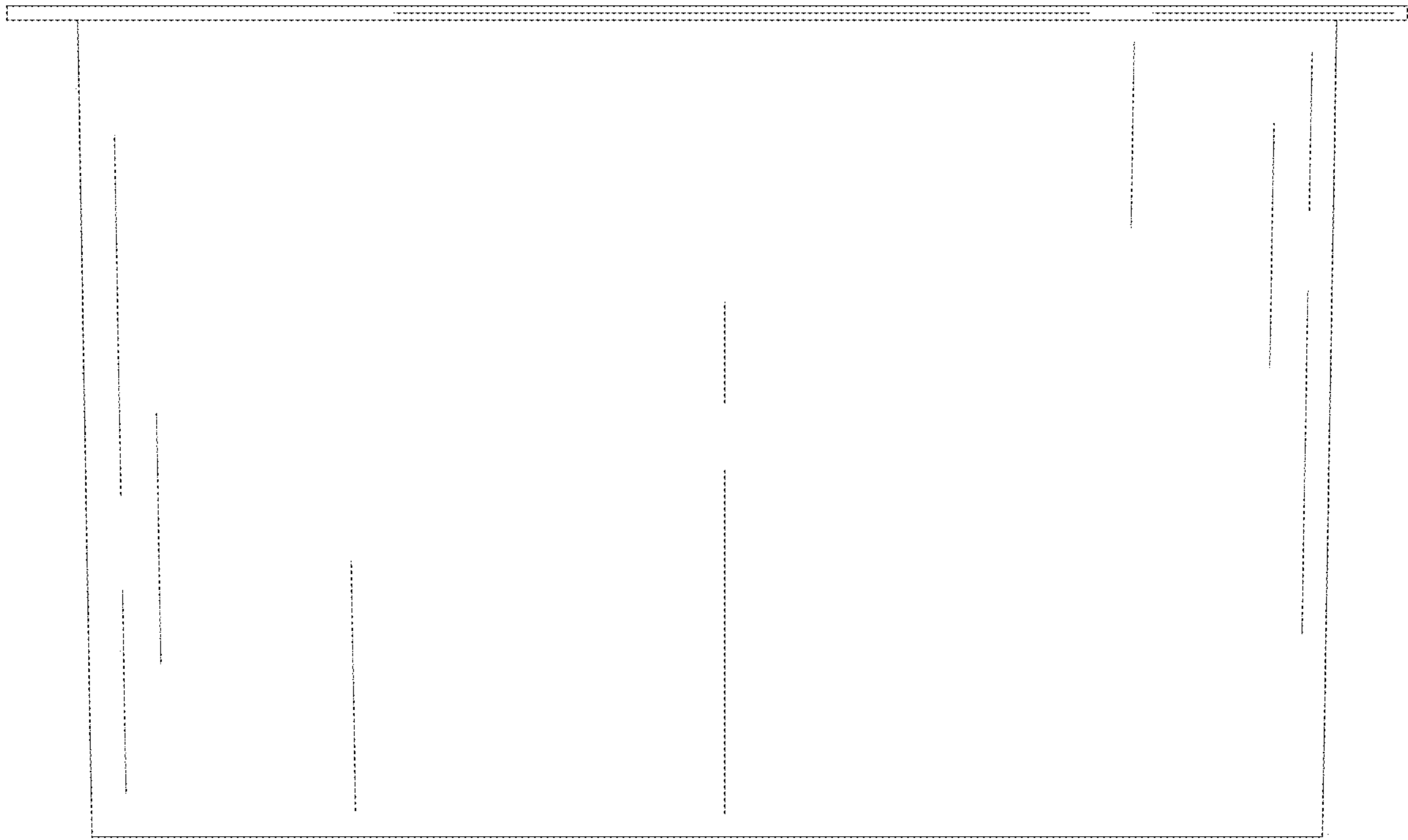


FIG. 5



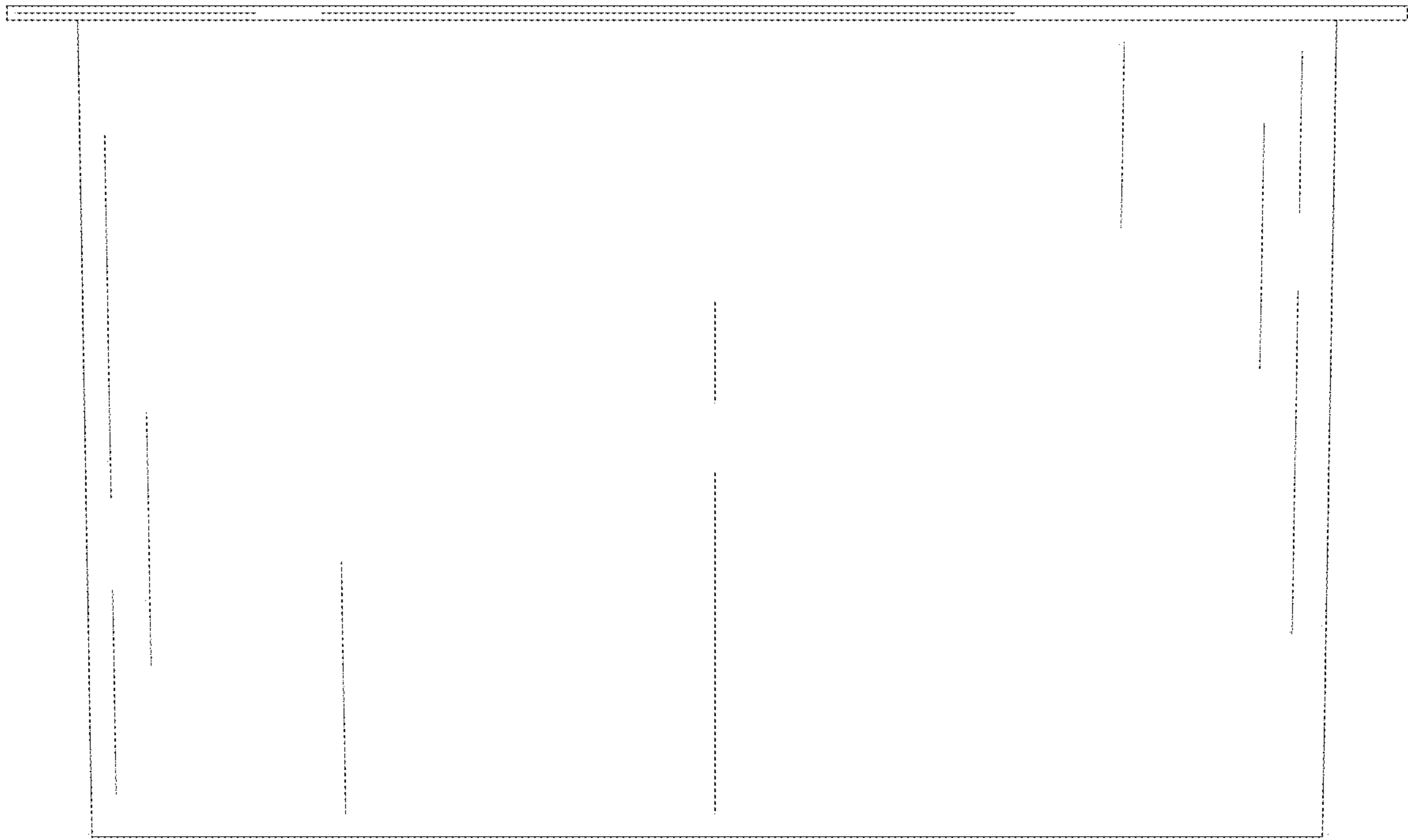


FIG. 6



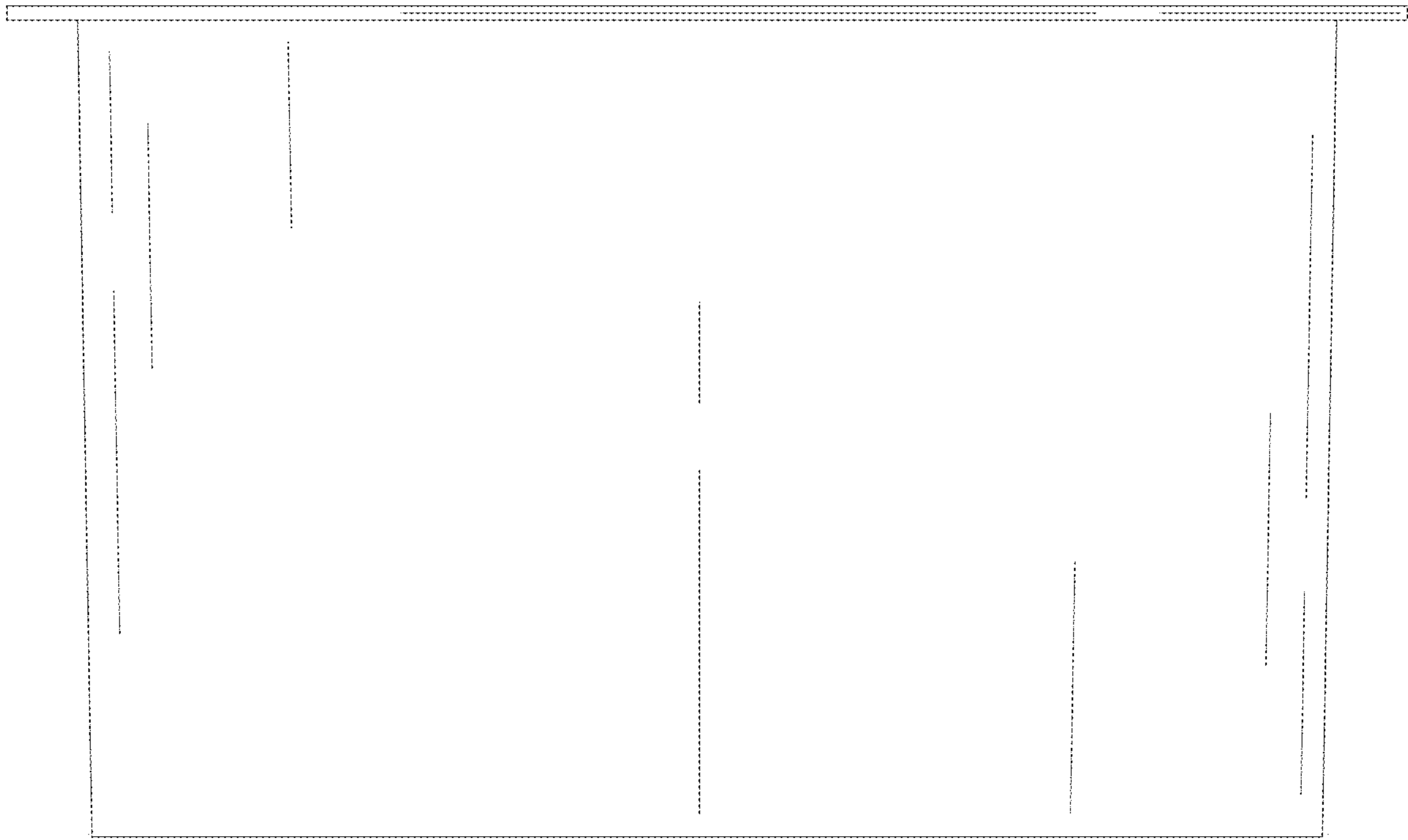


FIG. 7

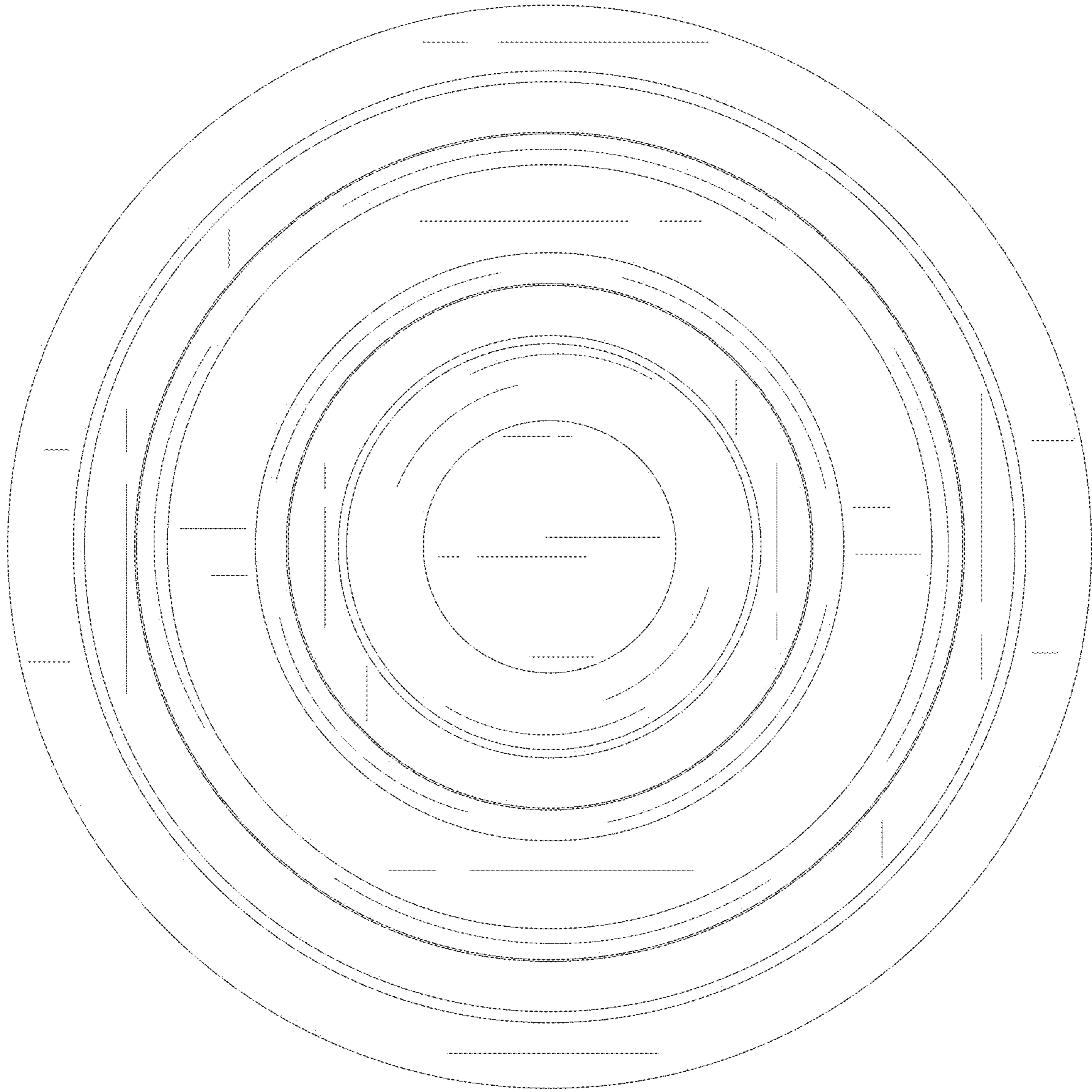


FIG. 8

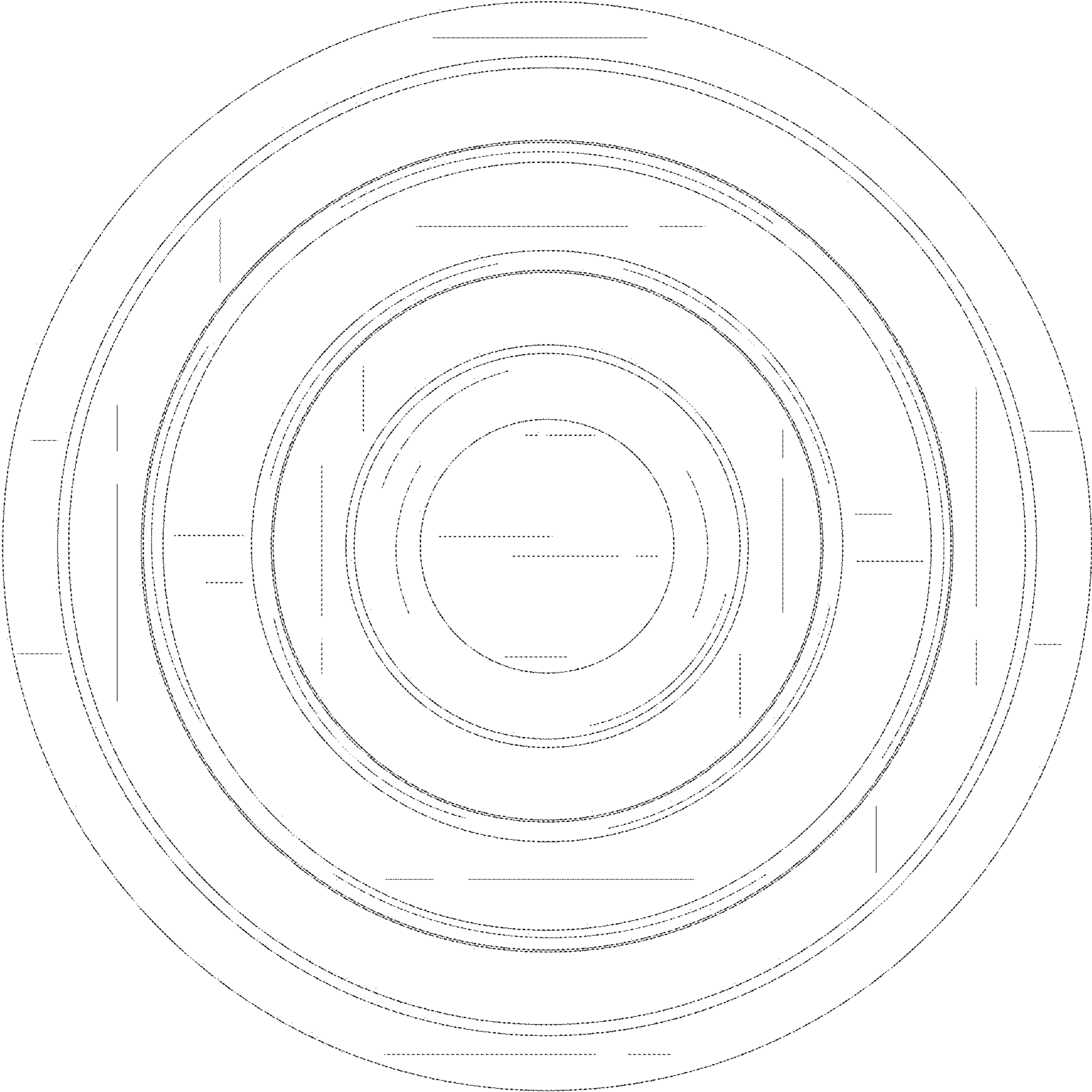


FIG. 9

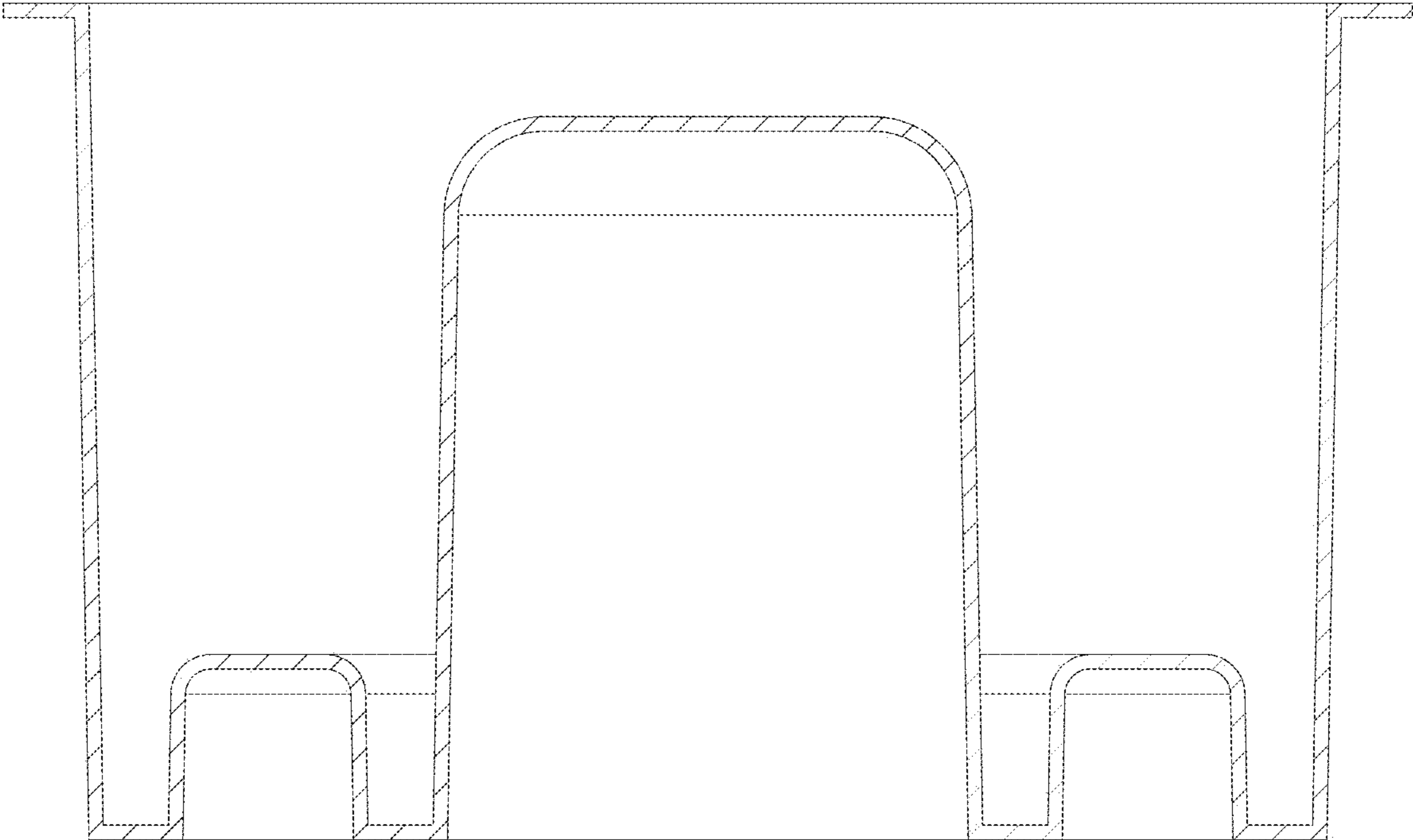


FIG. 10