



US00D982044S

(12) **United States Design Patent**
Shao

(10) **Patent No.:** **US D982,044 S**

(45) **Date of Patent:** **** Mar. 28, 2023**

(54) **ICE BALL MOLD**

(71) Applicant: **Guangyao Shao**, Shenzhen (CN)

(72) Inventor: **Guangyao Shao**, Shenzhen (CN)

(**) Term: **15 Years**

(21) Appl. No.: **29/829,492**

(22) Filed: **Mar. 4, 2022**

(51) **LOC (14) Cl.** **15-07**

(52) **U.S. Cl.**
USPC **D15/90**

(58) **Field of Classification Search**
USPC D15/79, 80, 82, 89, 90

CPC F25B 21/02; F25B 2321/02; F25B 1/005;
F25B 2321/0252; F25B 1/00; F25B 1/10;
F25B 21/04; F25B 2339/047; F25B 5/02;
F25B 7/00; F25B 13/00; F25B 1/053;
F25B 2309/06; F25B 2321/021; F25B
2321/023; F25D 23/028; F25D 23/02;
F25D 25/025; F25D 23/00; F25D
2323/021; F25D 11/00; F25D 2323/024;
F25D 23/04; F25D 29/00; F25D 25/02;
F25D 25/024; F25D 27/005; F25D 23/12;
F25D 29/005; F25D 17/042; F25D
2325/021

See application file for complete search history.

(56) **References Cited**

U.S. PATENT DOCUMENTS

D846,604 S * 4/2019 Lopez D15/90
D847,222 S * 4/2019 Todirca D15/90

D899,470 S * 10/2020 Liu D15/90
D914,067 S 3/2021 Wu
D915,475 S * 4/2021 Wu D15/90
D918,970 S * 5/2021 Zhai D15/90
D923,067 S * 6/2021 Zhao D15/90
D931,914 S * 9/2021 Zhai D15/90
D956,832 S * 7/2022 Ye D15/90

* cited by examiner

Primary Examiner — Khawaja Anwar

(74) *Attorney, Agent, or Firm* — Che-Yang Chen; Law
Office of Michael Chen

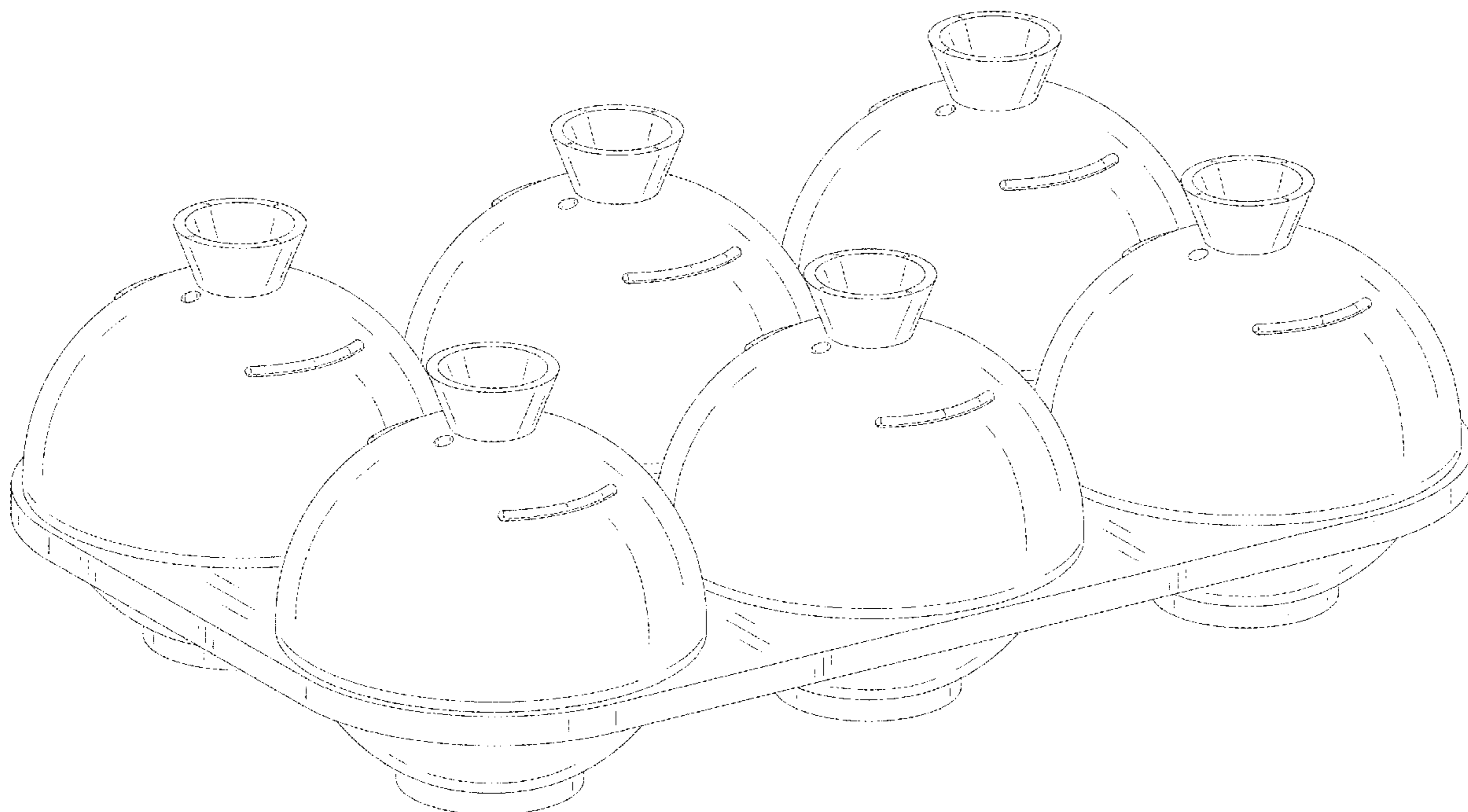
(57) **CLAIM**

The ornamental design for an ice ball mold, as shown and described.

DESCRIPTION

FIG. 1 is a perspective view of the ice ball mold showing my new design;
FIG. 2 is a perspective view thereof from another angle;
FIG. 3 is a front elevational view thereof;
FIG. 4 is a rear elevational view thereof;
FIG. 5 is a left side elevational view thereof;
FIG. 6 is a right side elevational view thereof;
FIG. 7 is a top plan view thereof; and,
FIG. 8 is a bottom plan view thereof.

1 Claim, 8 Drawing Sheets



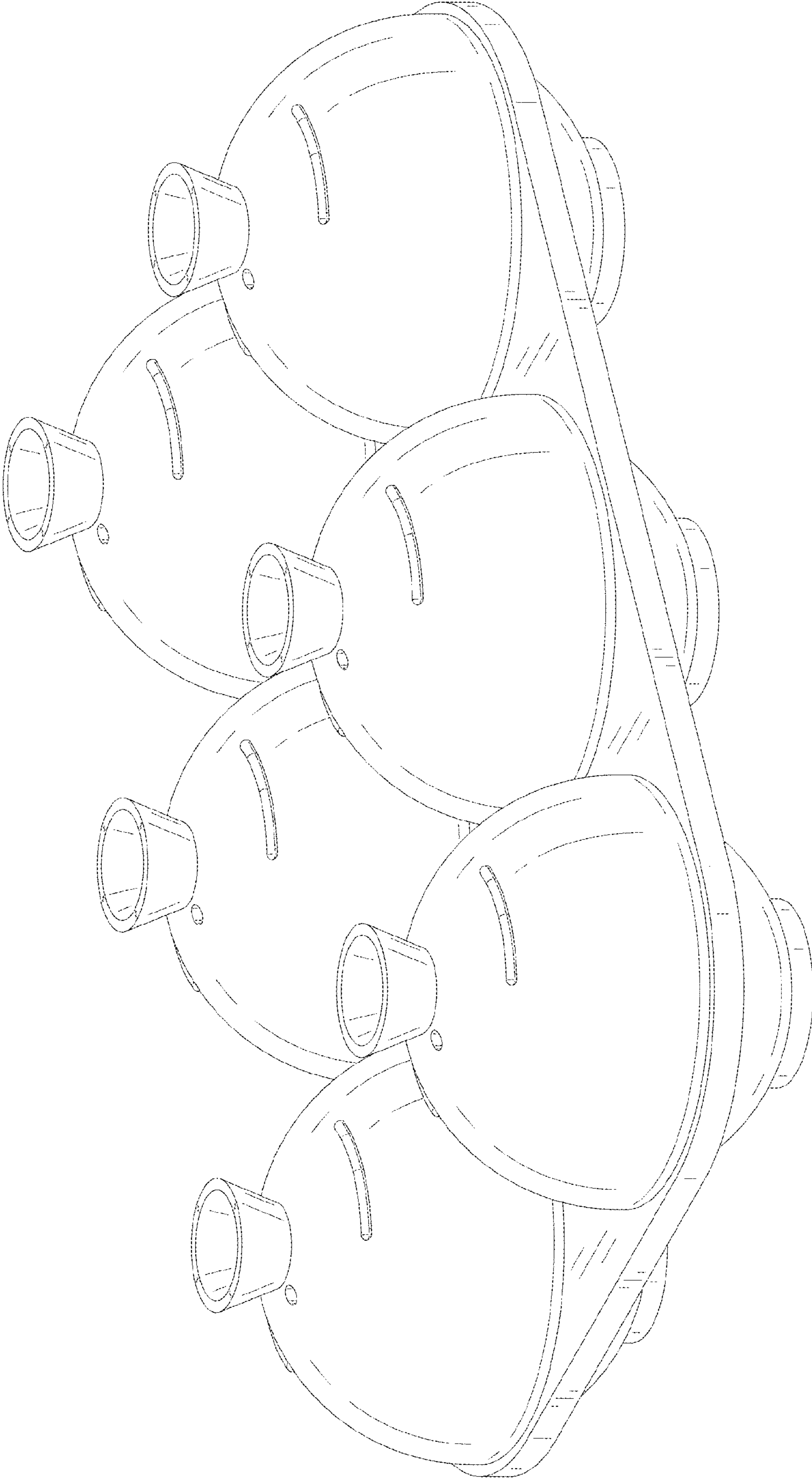


FIG. 1

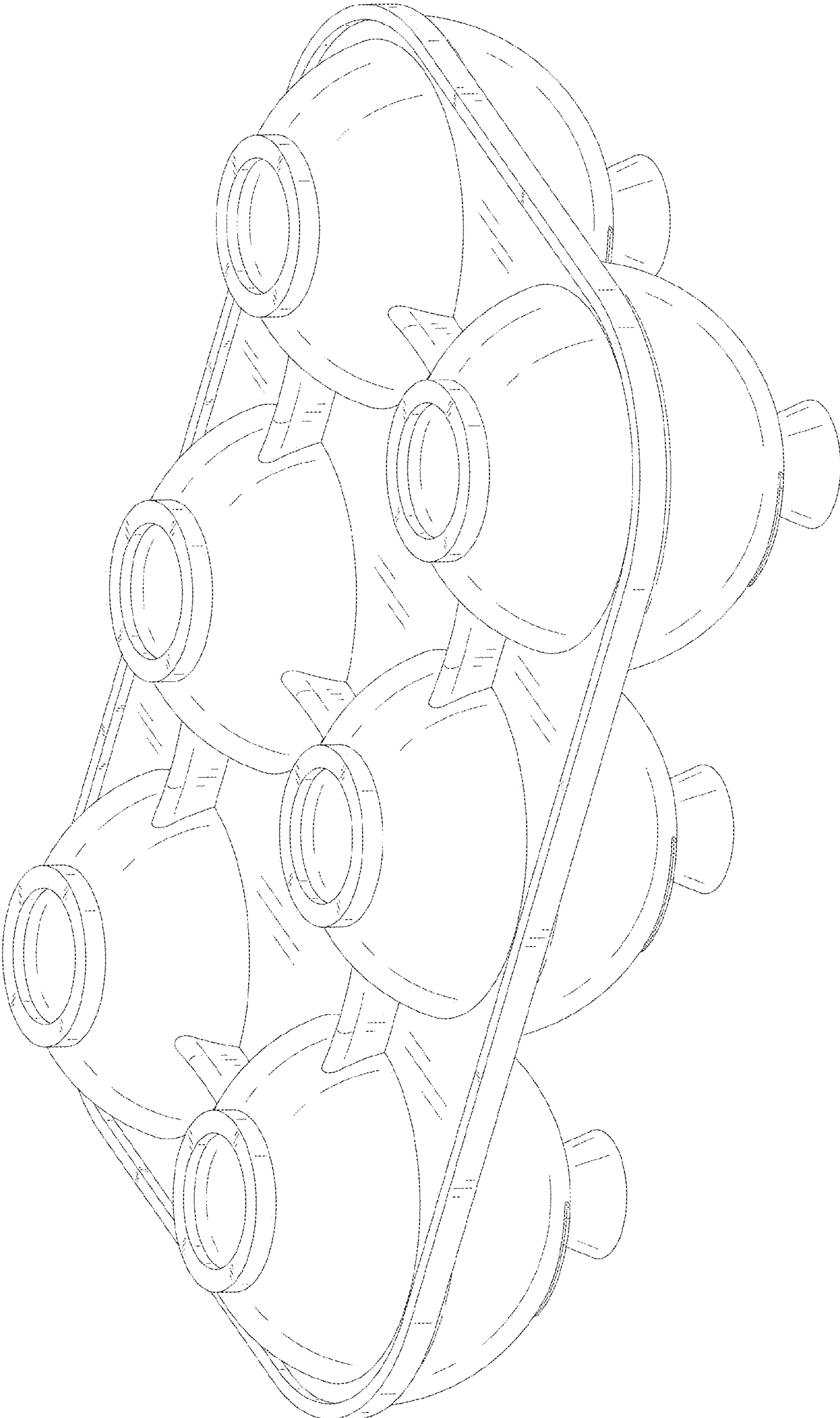


FIG. 2

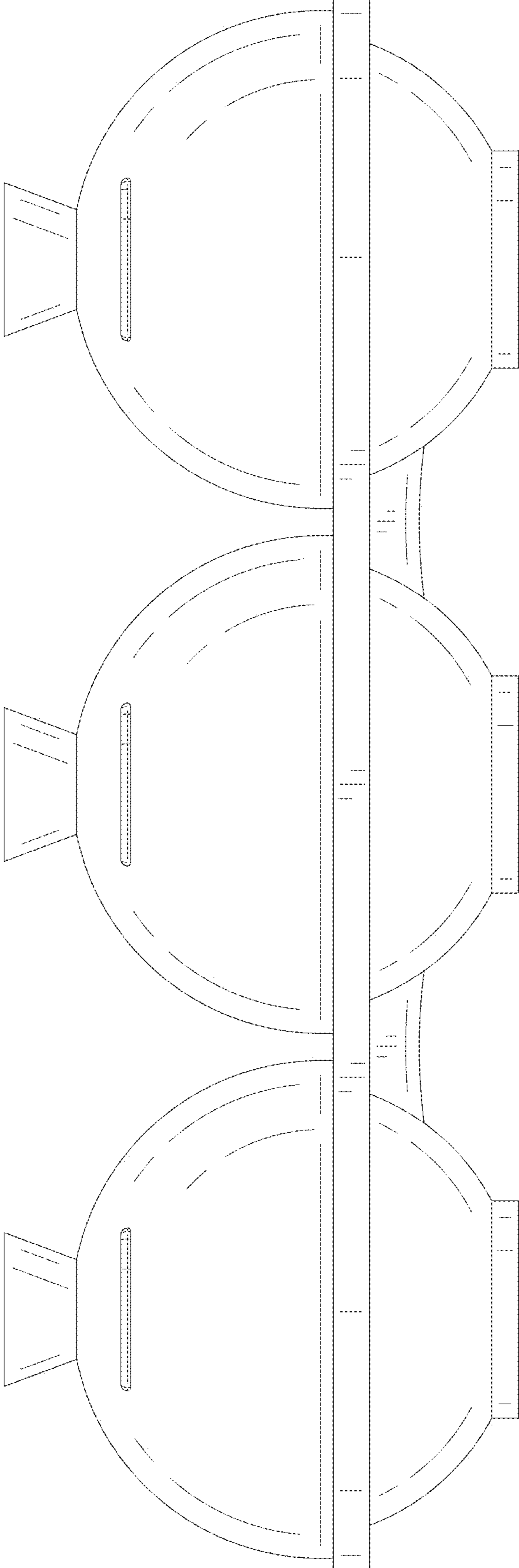


FIG. 3

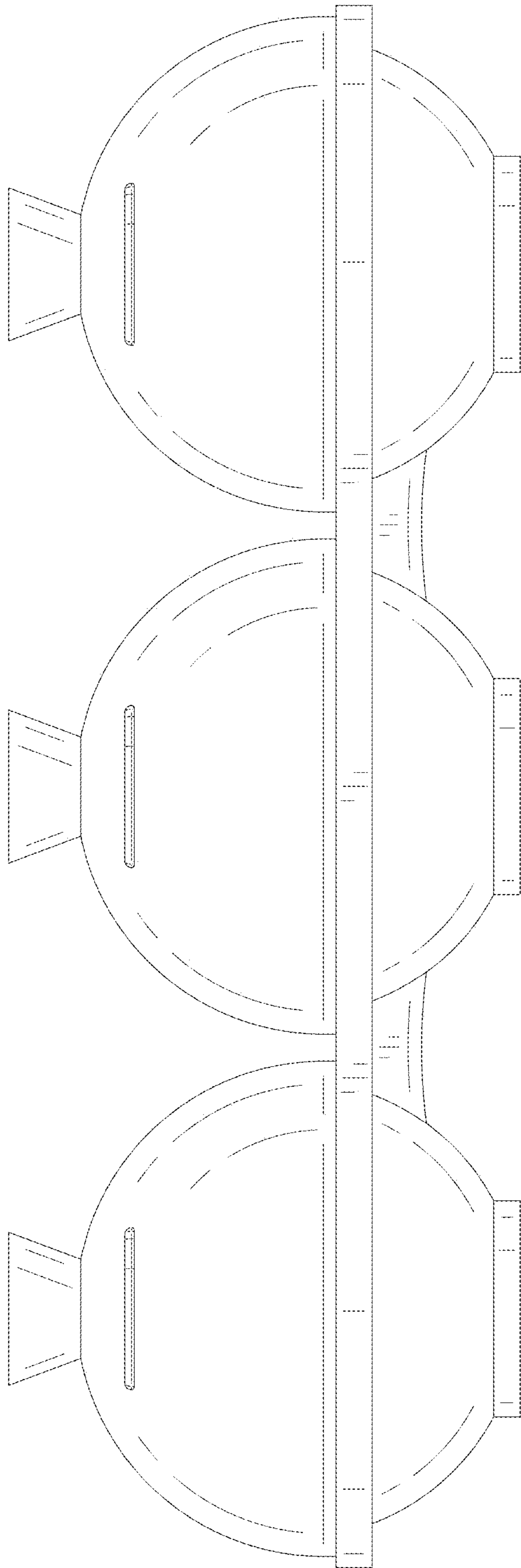


FIG. 4

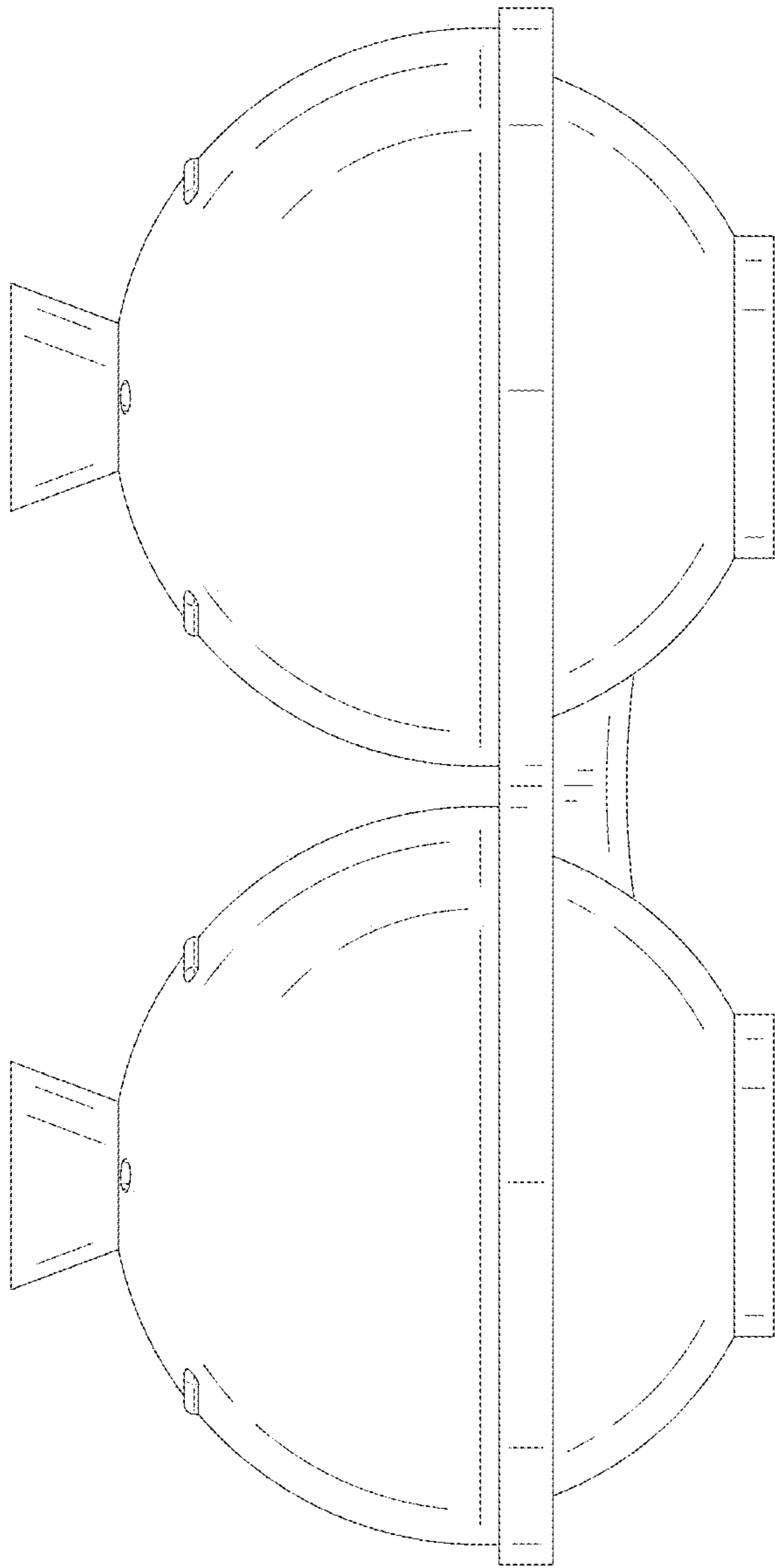


FIG. 5

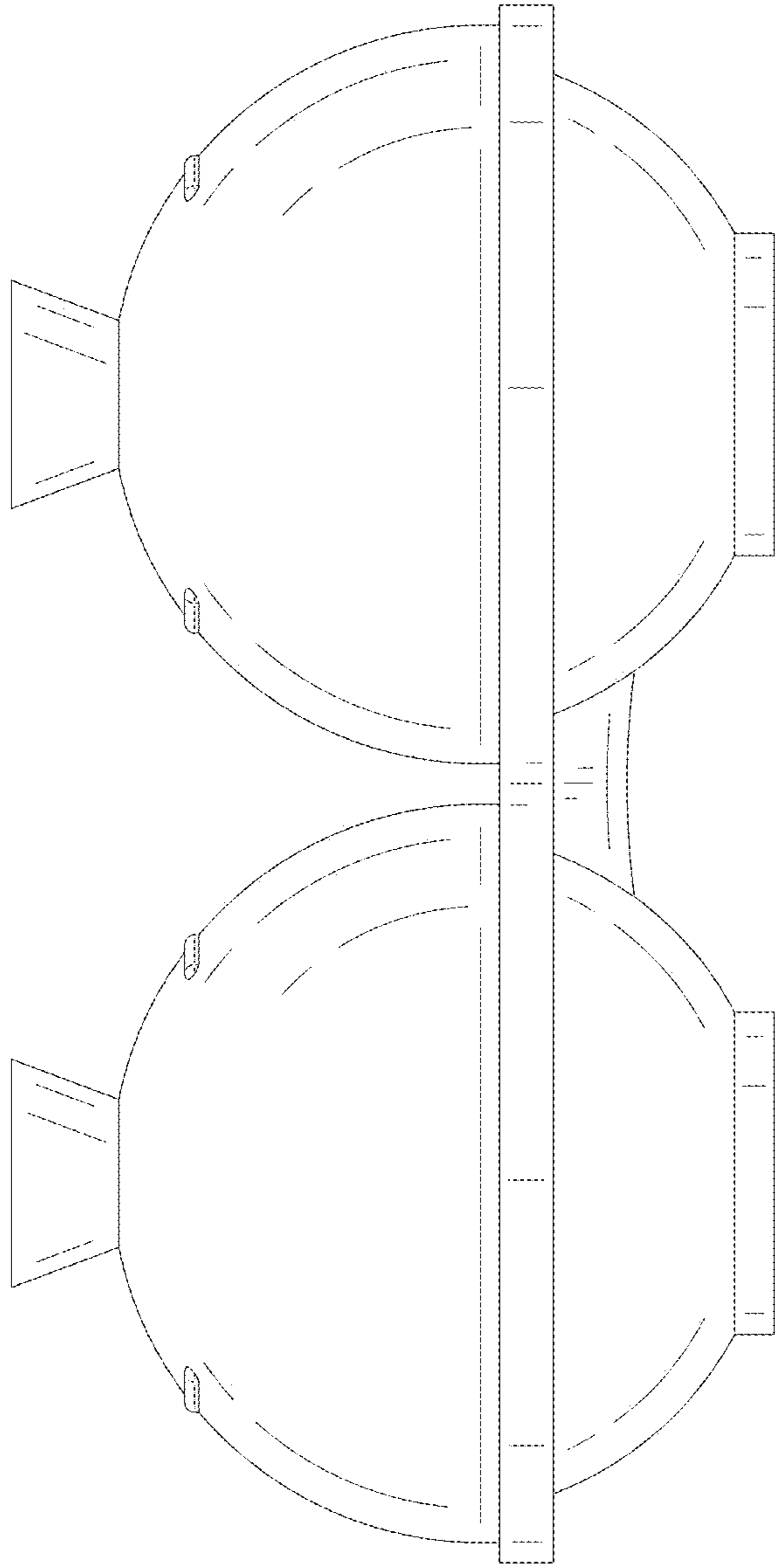


FIG. 6

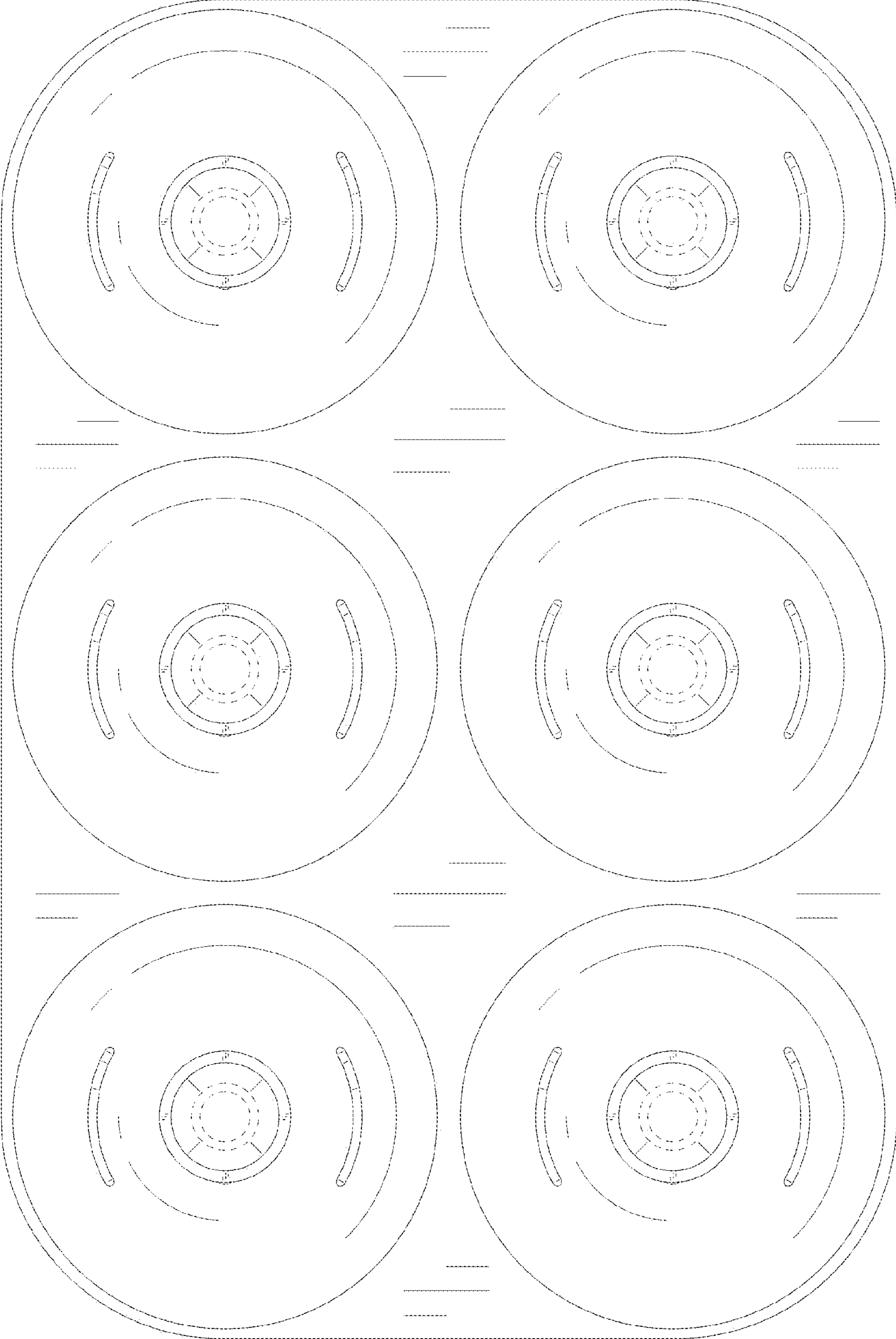


FIG. 7

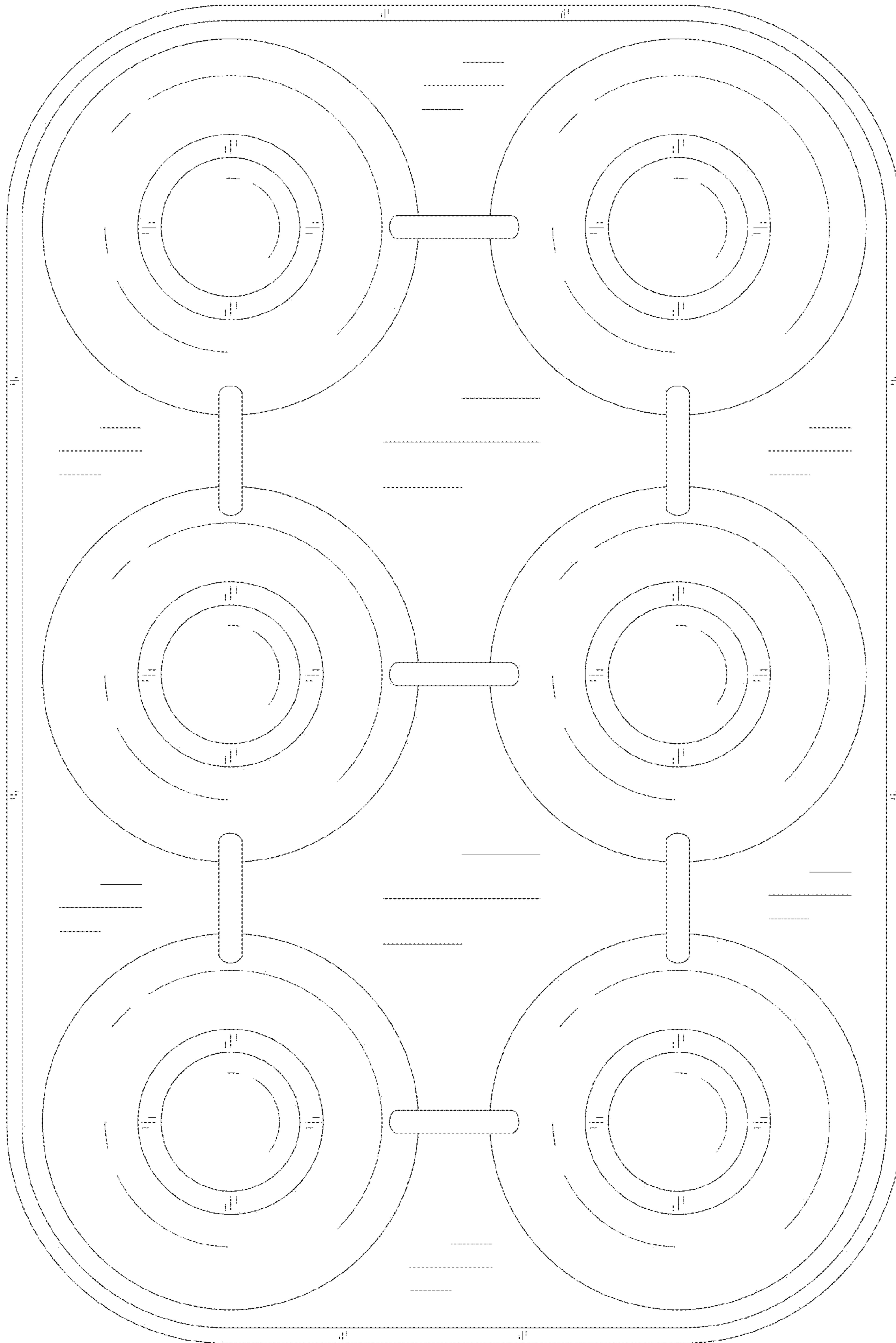


FIG. 8