



US00D982043S

(12) **United States Design Patent**
Bonaretti

(10) **Patent No.:** **US D982,043 S**
(45) **Date of Patent:** **** Mar. 28, 2023**

- (54) **BALLAST**
- (71) Applicant: **MANITOU ITALIA S.R.L.**,
Castelfranco Emilia (IT)
- (72) Inventor: **Simone Bonaretti**, Scandiano (IT)
- (73) Assignee: **MANITOU ITALIA S.R.L.**,
Castelfranco Emilia (IT)
- (**) Term: **15 Years**
- (21) Appl. No.: **29/809,939**
- (22) Filed: **Sep. 30, 2021**
- (30) **Foreign Application Priority Data**

9,840,403	B2	12/2017	Iotti
10,017,363	B2	7/2018	Iotti
10,035,462	B2	7/2018	Iotti
10,035,689	B2	7/2018	Iotti
D844,278	S	3/2019	Iotti
D845,356	S *	4/2019	Andrews D15/28
10,479,261	B2	11/2019	Iotti
10,538,205	B2	1/2020	Iotti
10,697,737	B2	6/2020	Iotti
10,752,479	B2	8/2020	Iotti
10,843,909	B2	11/2020	Iotti
10,865,765	B2	12/2020	Iotti
D954,760	S *	6/2022	Lee D15/28
2016/0102484	A1	4/2016	Iotti
2018/0364012	A1	12/2018	Iotti
2019/0300346	A1	10/2019	Iotti
2019/0300349	A1	10/2019	Iotti
2020/0031643	A1	1/2020	Iotti
2020/0180916	A1	6/2020	Iotti
2020/0277172	A1	9/2020	Iotti

Apr. 2, 2021 (EM) 008483721-0002

- (51) **LOC (14) Cl.** **15-03**
- (52) **U.S. Cl.**
USPC **D15/28**
- (58) **Field of Classification Search**
USPC D15/10, 22-29, 30, 33, 31; D34/34, 35
CPC E02F 9/18; B62D 49/085; B62D 49/08;
B66C 23/72; B66C 23/74
See application file for complete search history.

* cited by examiner

Primary Examiner — Mark A Goodwin
(74) *Attorney, Agent, or Firm* — Pearne & Gordon LLP;
J. Gregory Chrisman

(57) **CLAIM**

The ornamental design for a ballast, as shown and described.

DESCRIPTION

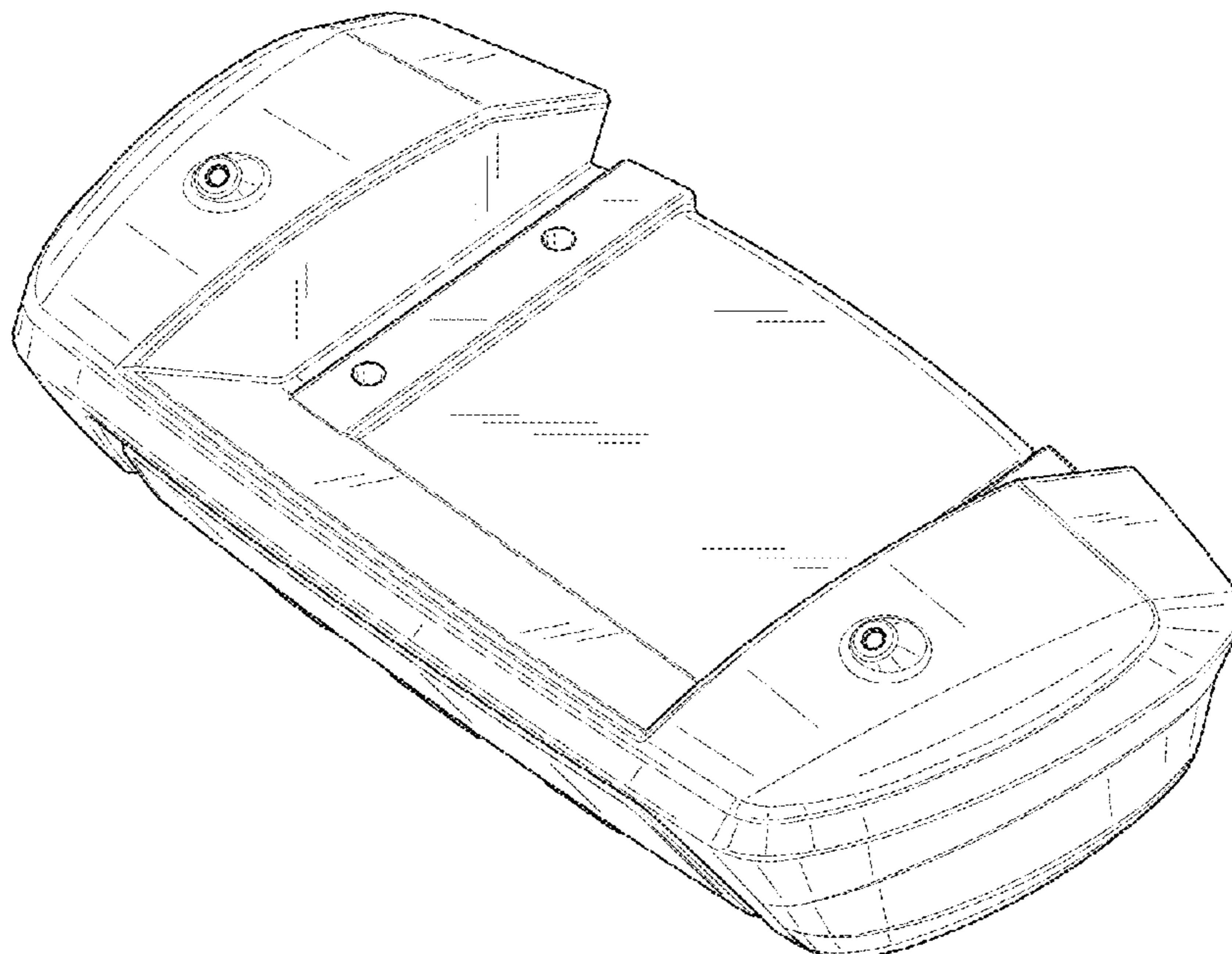
FIG. 1 is a back-right side-top perspective view of a ballast, showing the new design;
FIG. 2 is a front view thereof;
FIG. 3 is a back view thereof;
FIG. 4 is a left side view thereof;
FIG. 5 is a right side view thereof;
FIG. 6 is a top view thereof; and,
FIG. 7 is a bottom view thereof.

(56) **References Cited**

U.S. PATENT DOCUMENTS

D637,628	S *	5/2011	Rupp	D15/28
D664,569	S *	7/2012	Rupp	D15/28
D684,602	S *	6/2013	Hagura	D15/28
D684,603	S *	6/2013	Hagura	D15/28
D684,604	S *	6/2013	Saito	D15/28
D693,858	S *	11/2013	Hagura	D15/28
8,662,815	B2	3/2014	Magni		
9,394,667	B2	7/2016	Iotti		
9,617,132	B2	4/2017	Iotti		

1 Claim, 3 Drawing Sheets



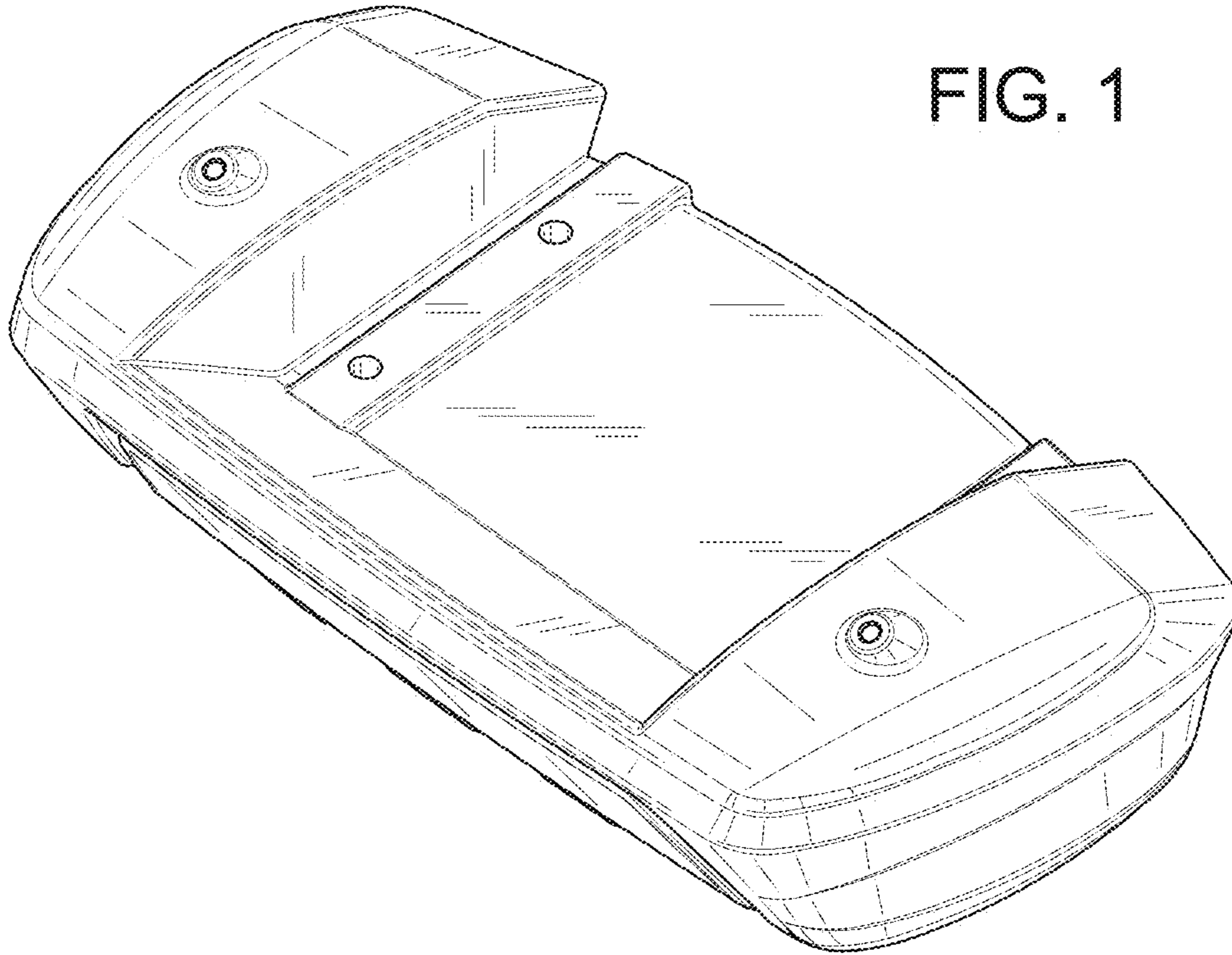


FIG. 1

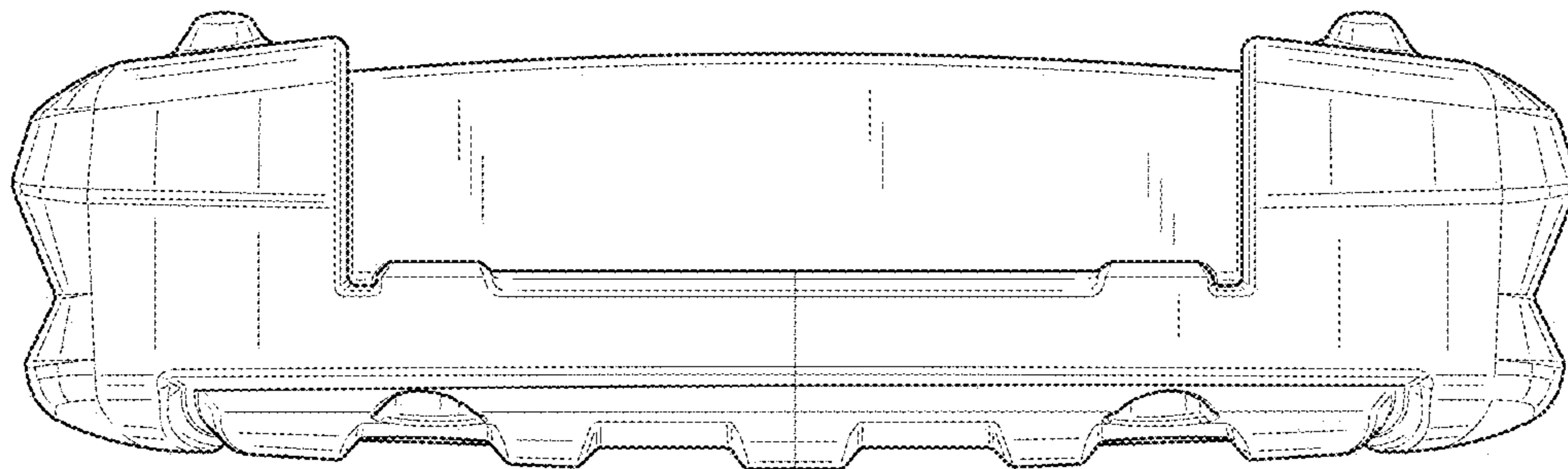


FIG. 2

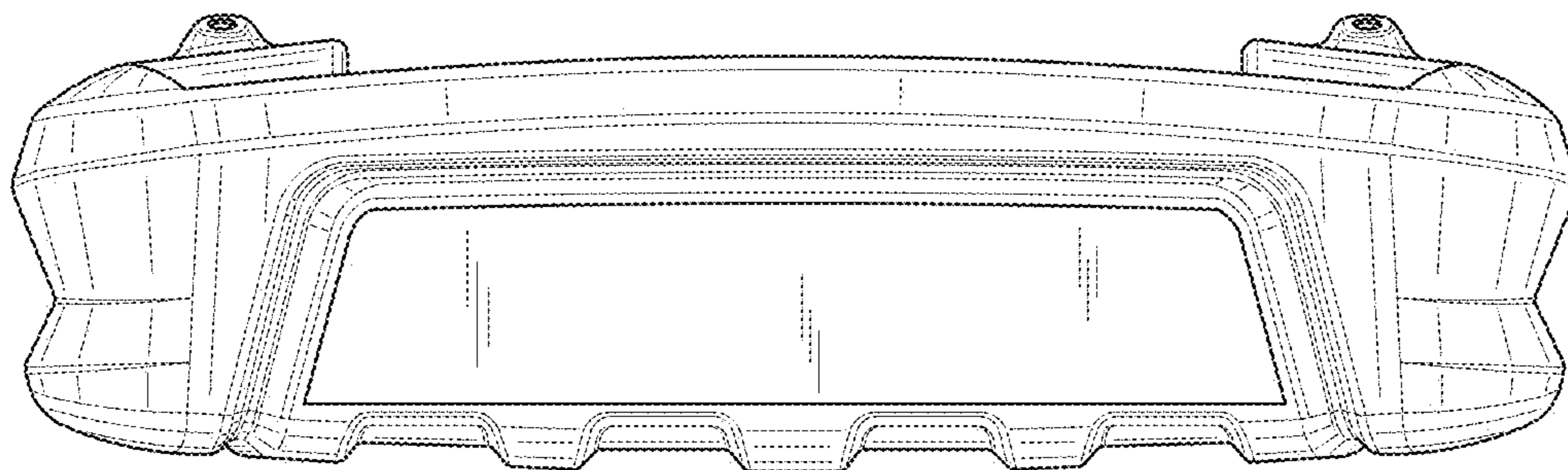


FIG. 3

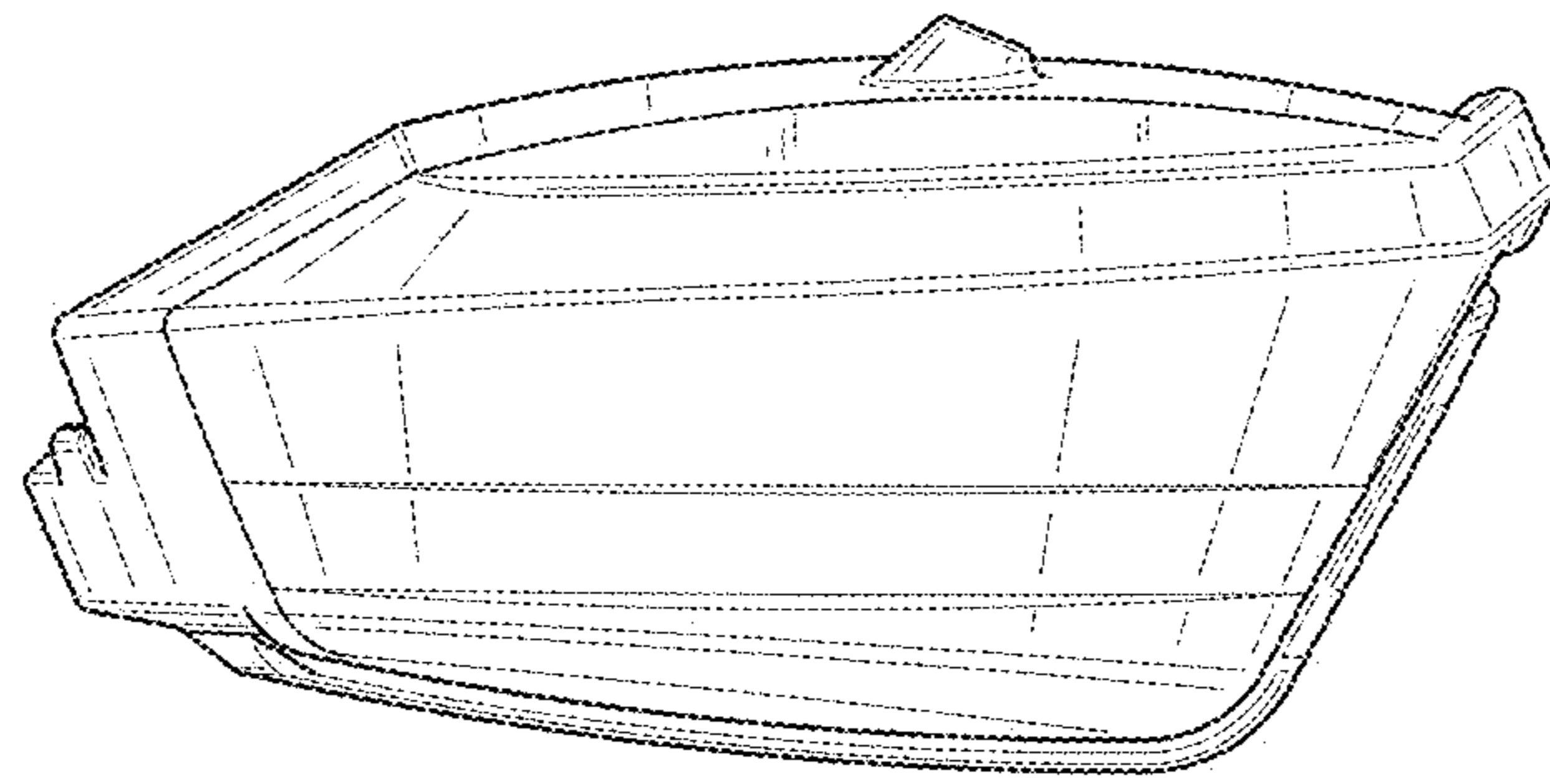


FIG. 4

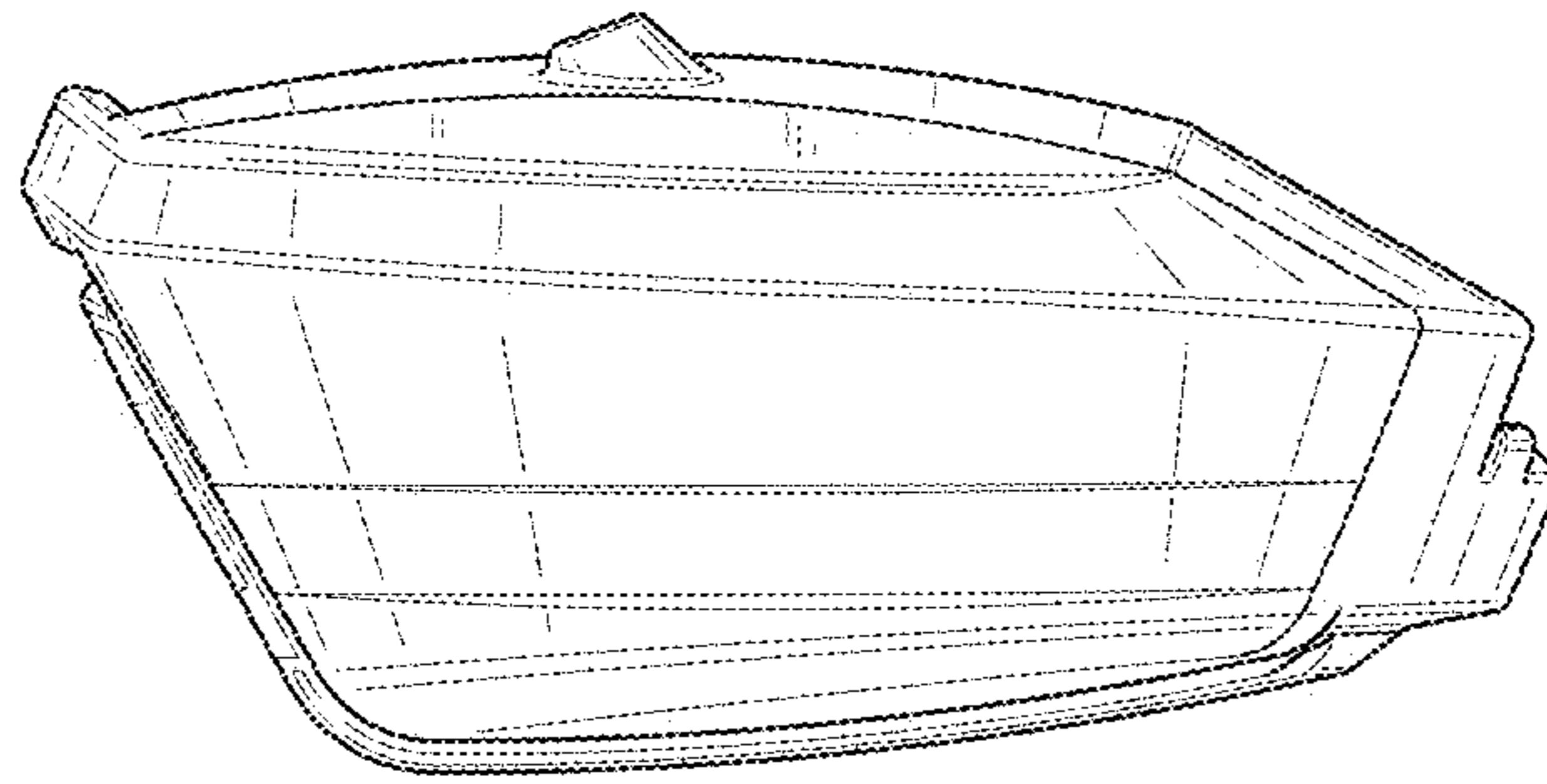


FIG. 5

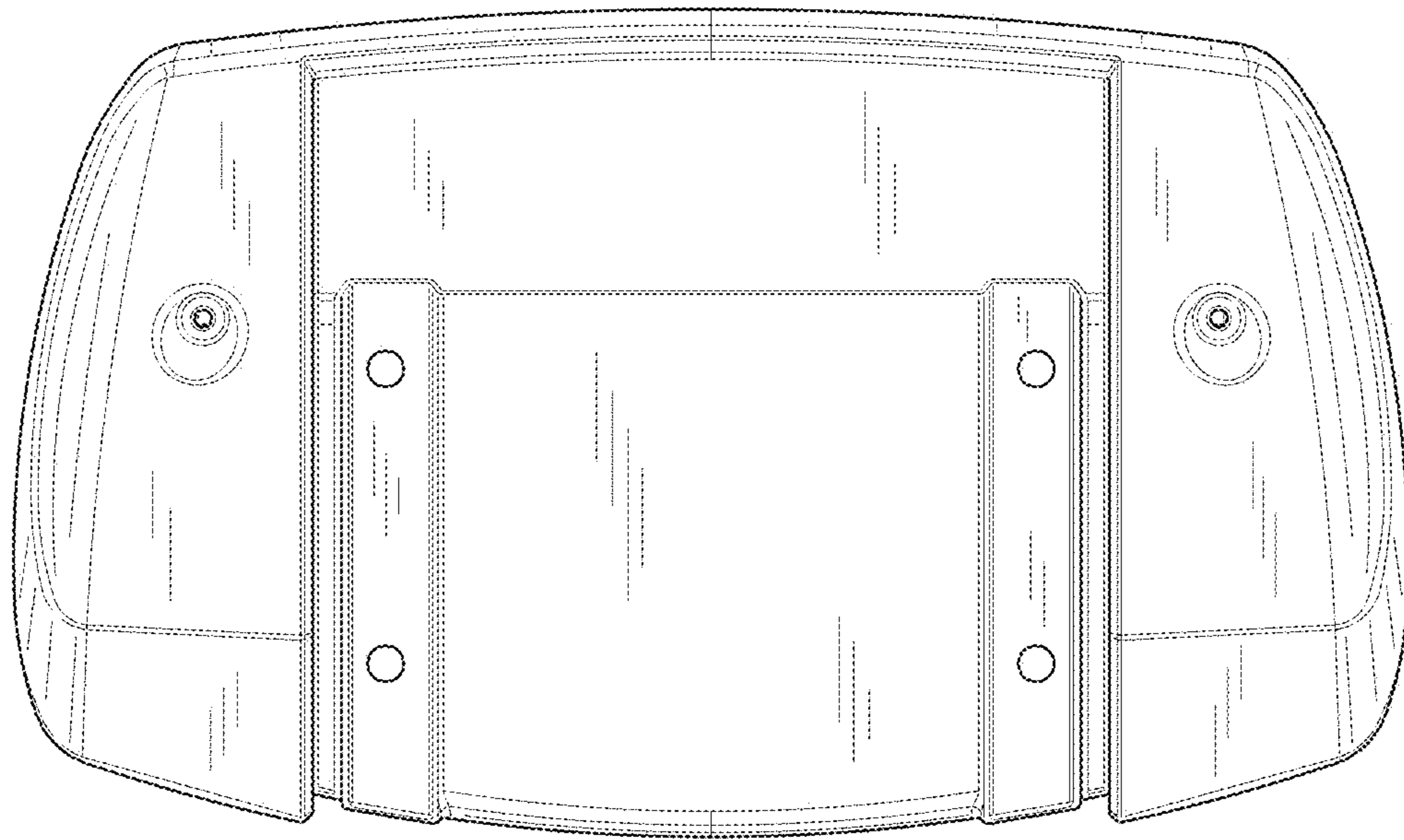


FIG. 6

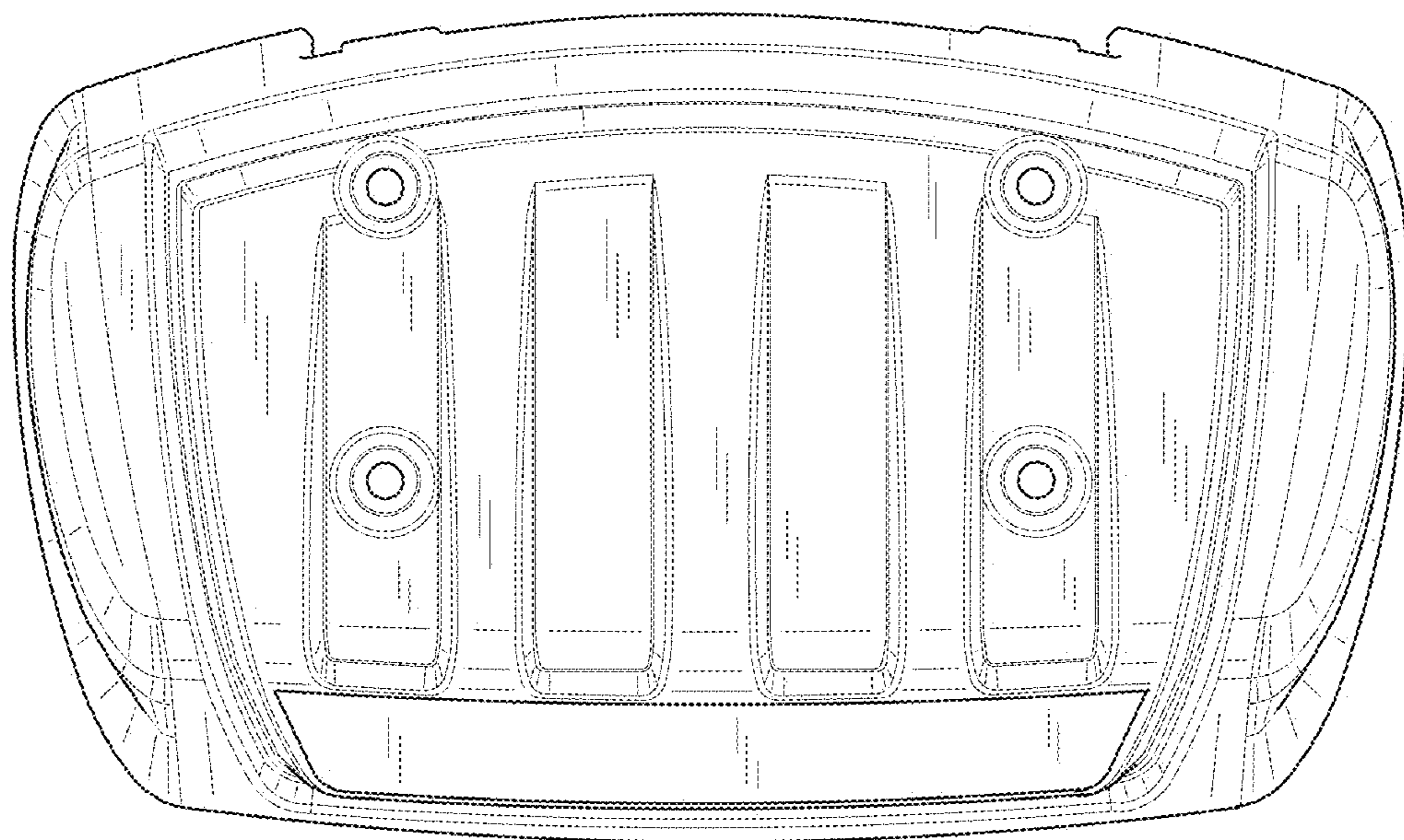


FIG. 7