



US00D982041S

(12) **United States Design Patent**
Singh et al.

(10) **Patent No.:** **US D982,041 S**
(45) **Date of Patent:** **** Mar. 28, 2023**

(54) **SHIELD**
(71) Applicant: **CNH Industrial America LLC**, New Holland, PA (US)
(72) Inventors: **Chandrashekhar Singh**, Lancaster, PA (US); **John R. McClure**, New Holland, PA (US); **Todd Hertzler**, Gordonville, PA (US)
(73) Assignee: **CNH Industrial America LLC**, New Holland, PA (US)

6,526,736 B1 3/2003 Anstey
6,988,354 B1 1/2006 Pargmann et al.
7,654,069 B1* 2/2010 Dunham A01F 15/10
56/190
8,181,435 B1* 5/2012 McClure A01D 89/002
56/364
8,959,883 B2 2/2015 McClure et al.
D746,876 S * 1/2016 McClure D15/28
10,039,237 B2* 8/2018 Smith A01D 90/04
10,098,281 B2* 10/2018 Rosseel A01F 15/10
10,178,832 B2* 1/2019 Fink A01D 41/08
11,129,335 B2* 9/2021 Singh A01F 29/10
2016/0366827 A1 12/2016 Smith et al.
2020/0367438 A1* 11/2020 Singh A01F 15/10

(**) Term: **15 Years**

* cited by examiner

(21) Appl. No.: **29/691,932**

Primary Examiner — Mark A Goodwin

(22) Filed: **May 21, 2019**

(74) *Attorney, Agent, or Firm* — Peter Zacharias; Patrick Sheldrake

(51) **LOC (14) Cl.** **15-03**

(57) **CLAIM**

(52) **U.S. Cl.**
USPC **D15/28**

We claim the ornamental design for a shield, as shown and described.

(58) **Field of Classification Search**
USPC D15/28
CPC ... A01F 15/10; A01F 2015/108; B65G 33/24;
B65G 33/14; A01D 89/004; A01D 89/002; A01D 89/008; A01D 90/04
See application file for complete search history.

DESCRIPTION

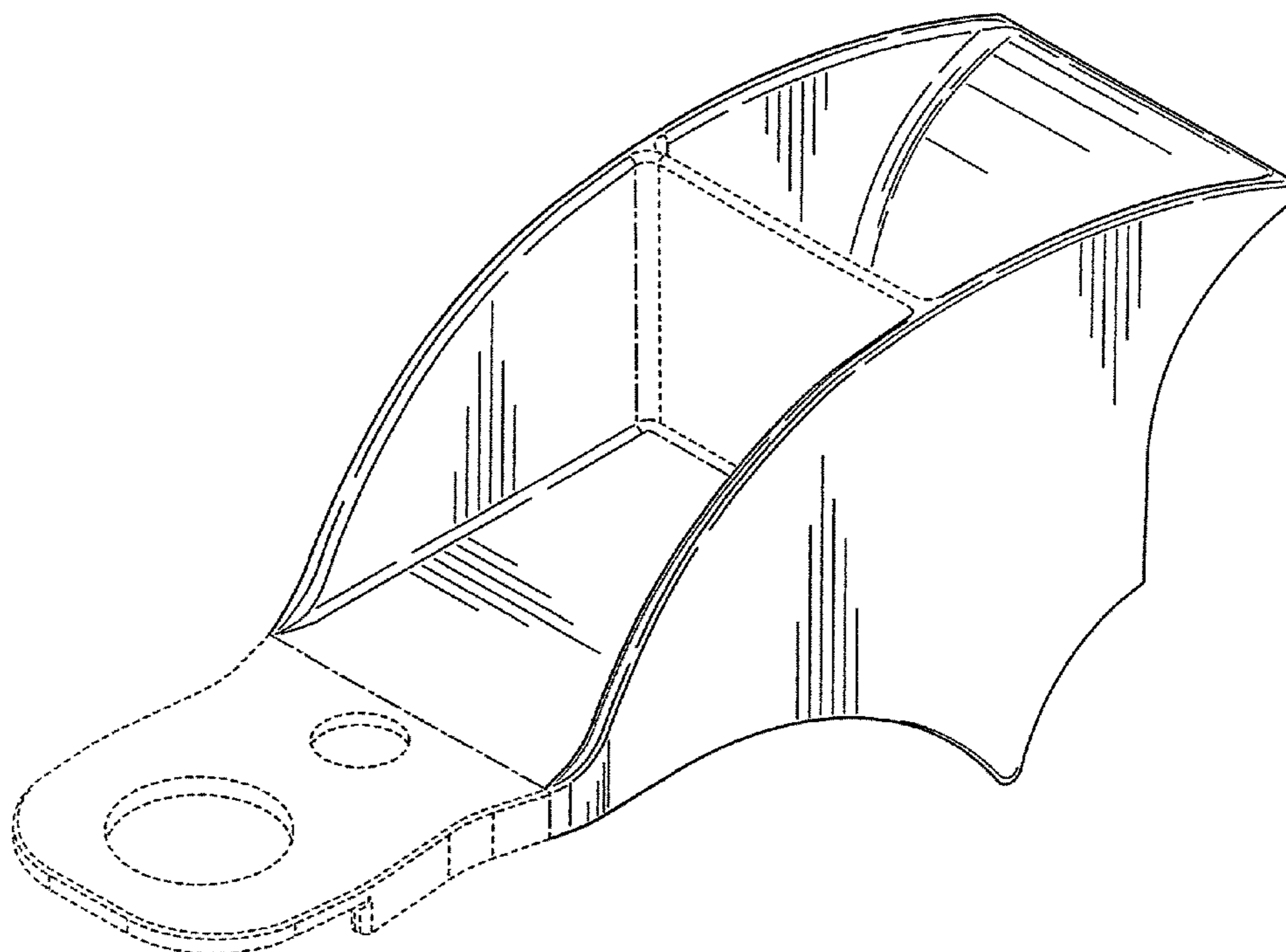
FIG. 1 is a top isometric view of our design for a shield;
FIG. 2 is a front view thereof;
FIG. 3 is a front view thereof;
FIG. 4 is a left side view thereof, the right side view being a mirror image of the left side view;
FIG. 5 is a top view thereof;
FIG. 6 is a bottom view thereof; and,
FIG. 7 is a bottom isometric view thereof.
The broken lines depict portions of the shield that form no part of the claimed design.

(56) **References Cited**

U.S. PATENT DOCUMENTS

D250,713 S * 1/1979 Korpi D15/28
D399,854 S * 10/1998 Pearson D15/28
6,314,708 B1* 11/2001 Engel A01F 15/10
56/364
D470,514 S * 2/2003 Engel D15/28

1 Claim, 5 Drawing Sheets



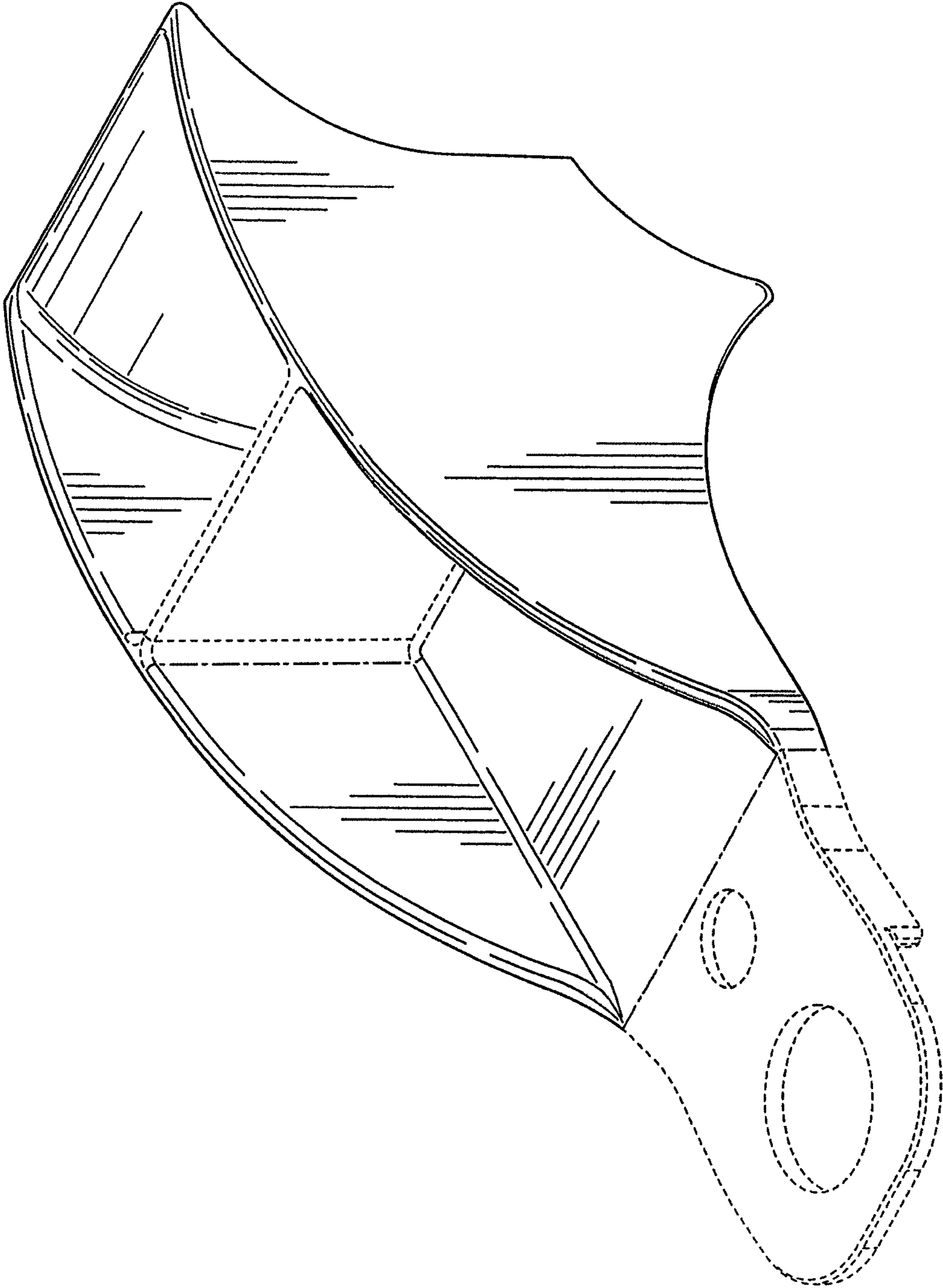


FIG. 1

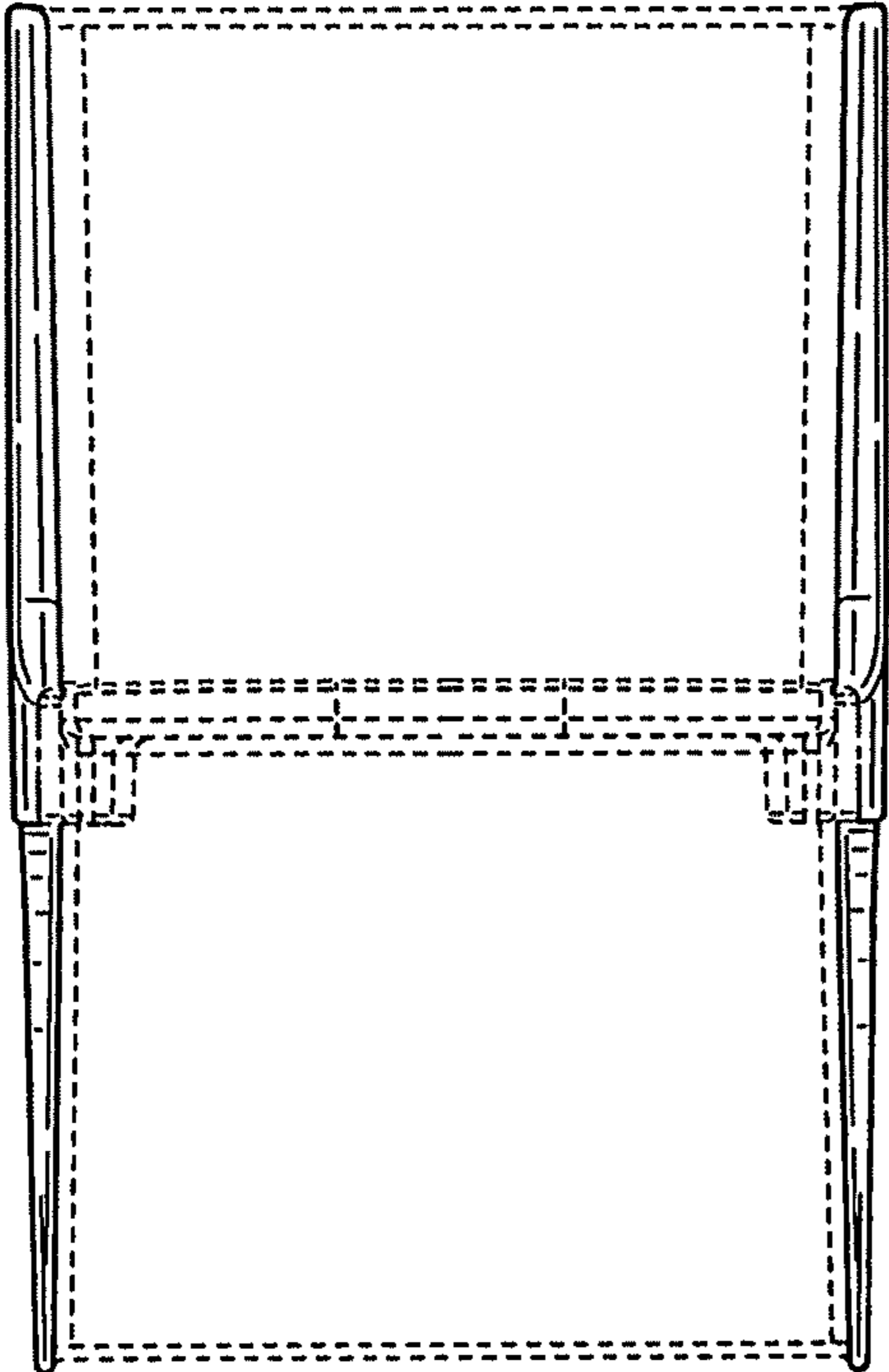


FIG. 2

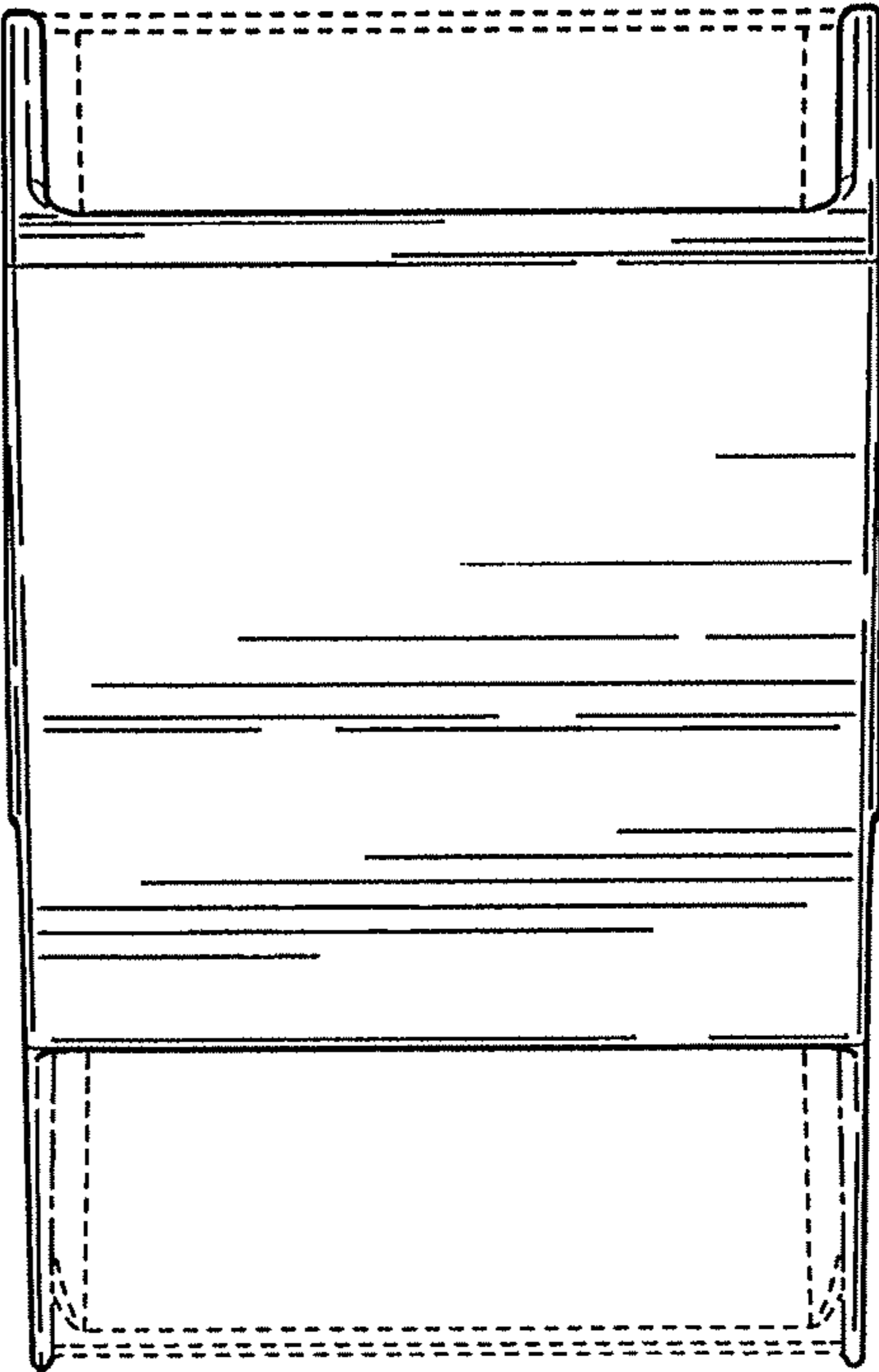


FIG. 3

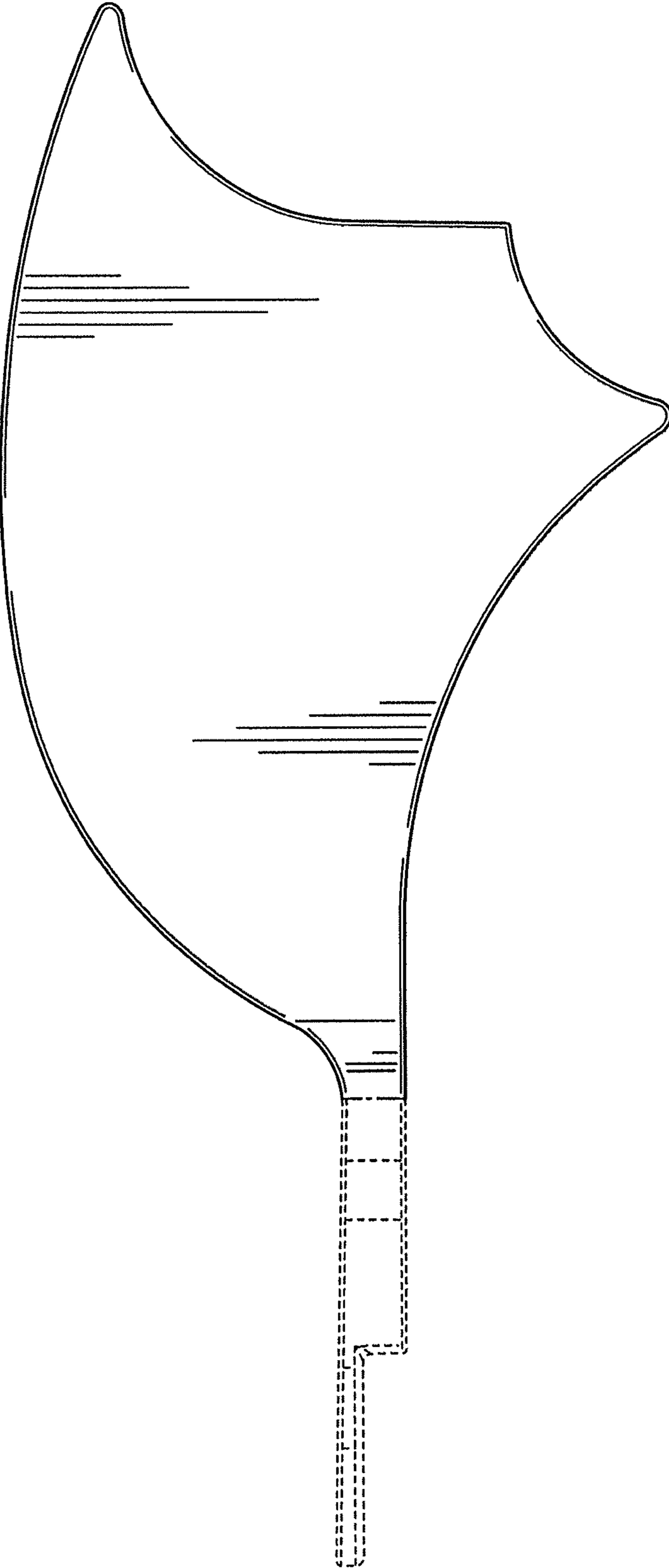


FIG. 4

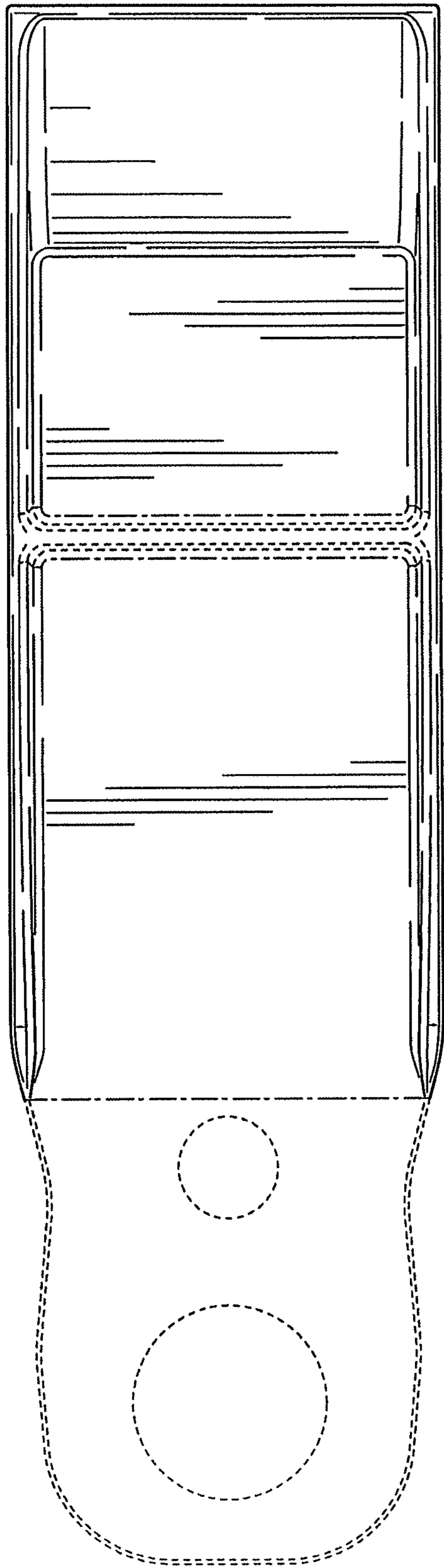


FIG. 5

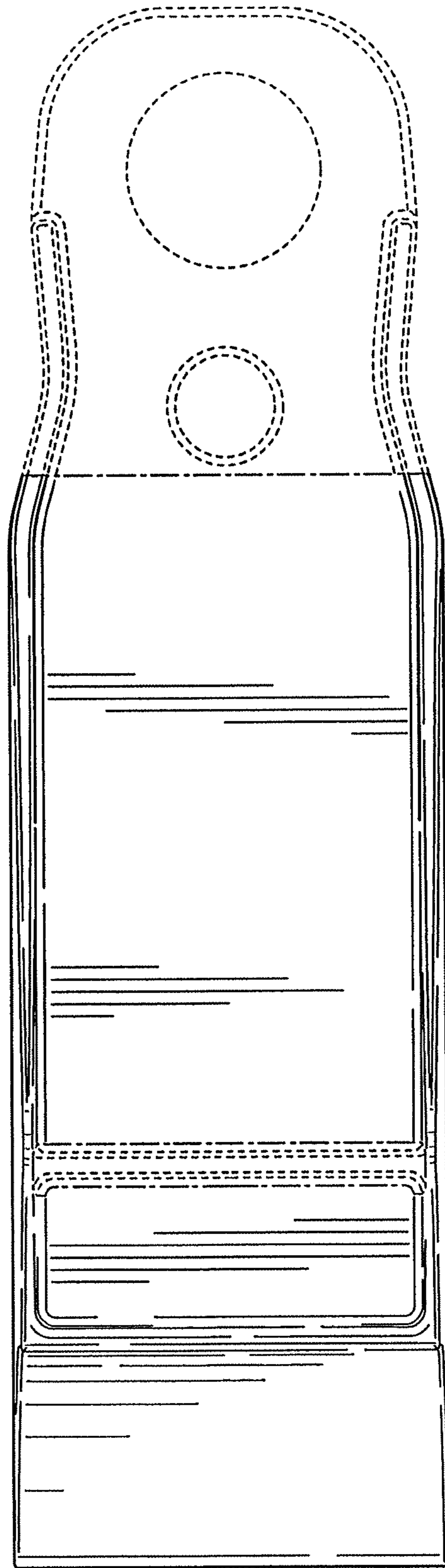


FIG. 6

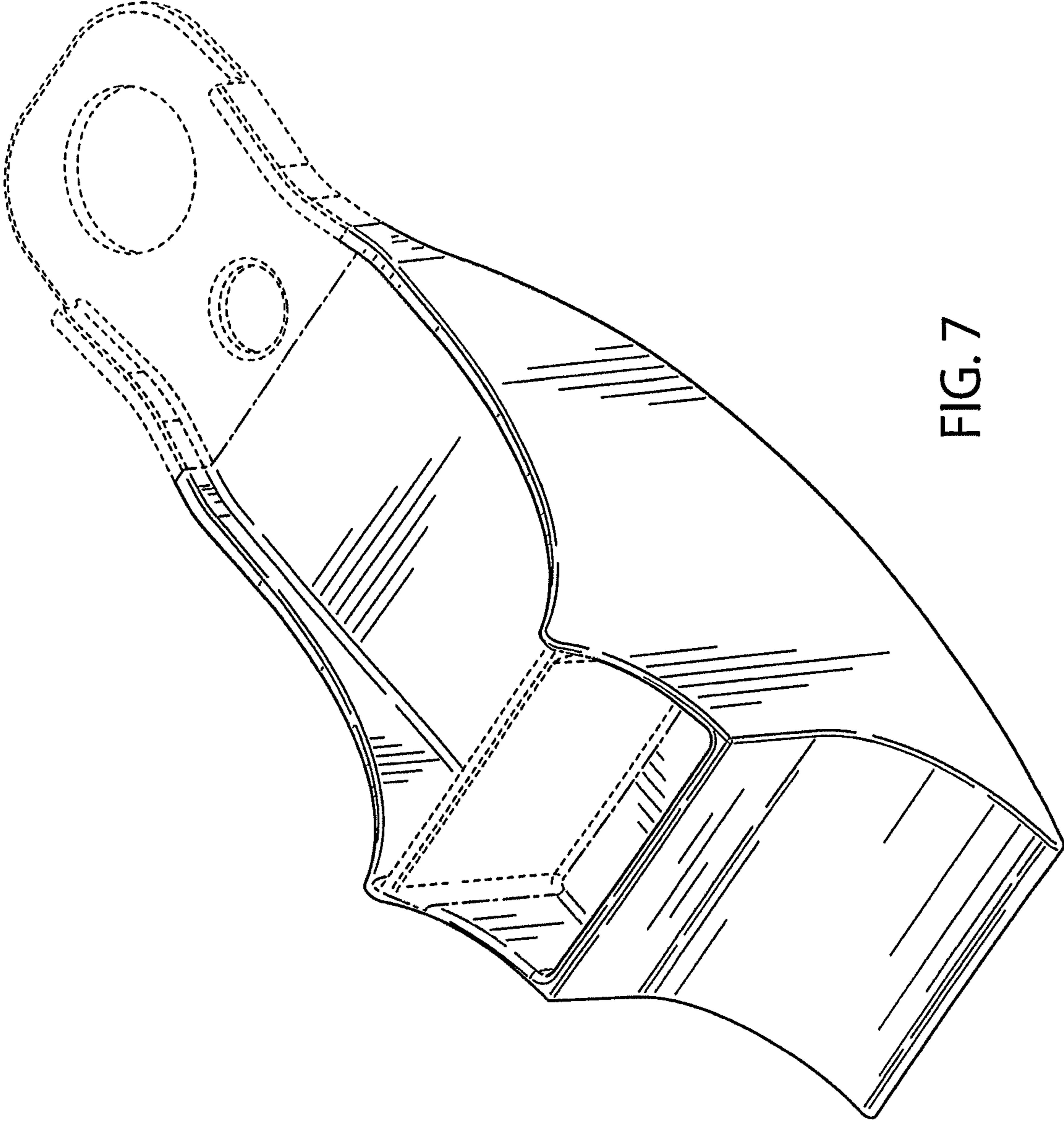


FIG. 7