



US00D982040S

(12) **United States Design Patent** (10) **Patent No.:** **US D982,040 S**
O’Connell et al. (45) **Date of Patent:** **** Mar. 28, 2023**

(54) **AGRICULTURAL VEHICLE**

(71) Applicant: **CNH Industrial America LLC**, New Holland, PA (US)

(72) Inventors: **Charles O’Connell**, Willmar, MN (US); **Eric Michael Jacobsthal**, Elmhurst, IL (US); **Adam Callif**, Chicago, IL (US); **John Piper**, Surprise, AZ (US); **Douglas V. Montgomery**, Downers Grove, IL (US); **Nicholas R. Pederson**, Willmar, MN (US); **Matthew William Gunlogson**, Benson, MN (US); **Michael Buckmeier**, Moorhead, MN (US); **James R. Keppers**, Avon, MN (US); **Mitchell Sandey**, Benson, MN (US)

(73) Assignee: **CNH INDUSTRIAL AMERICA LLC**, New Holland, PA (US)

(**) Term: **15 Years**

(21) Appl. No.: **29/807,341**

(22) Filed: **Sep. 10, 2021**

(51) **LOC (14) Cl.** **15-03**

(52) **U.S. Cl.**
USPC **D15/26**

(58) **Field of Classification Search**
USPC D15/10–12, 22–26, 28; 56/14.5–14.7, 56/16.6, 122–125; 296/190, 191; 460/83, 119; 180/89.1, 89.12
CPC A01B 73/00; A01D 75/00; A01D 41/06; A01D 41/1208; A01D 41/00; A01D 67/00; A01D 45/00; A01D 45/02; A01D 45/021; A01D 43/081
See application file for complete search history.

(56) **References Cited**

U.S. PATENT DOCUMENTS

D351,843 S * 10/1994 Larson D15/13
D355,919 S * 2/1995 Larson D15/13

D568,342 S * 5/2008 Kleingraeber D15/26
D639,826 S * 6/2011 Barrel D15/26
D797,813 S * 9/2017 Budde D15/26
D826,994 S * 8/2018 De Smet D15/26
D838,295 S * 1/2019 Schwalbe D15/26
D855,661 S * 8/2019 Krohn D15/26

(Continued)

Primary Examiner — Mark A Goodwin

(74) *Attorney, Agent, or Firm* — Rebecca Henkel; Rickard DeMille

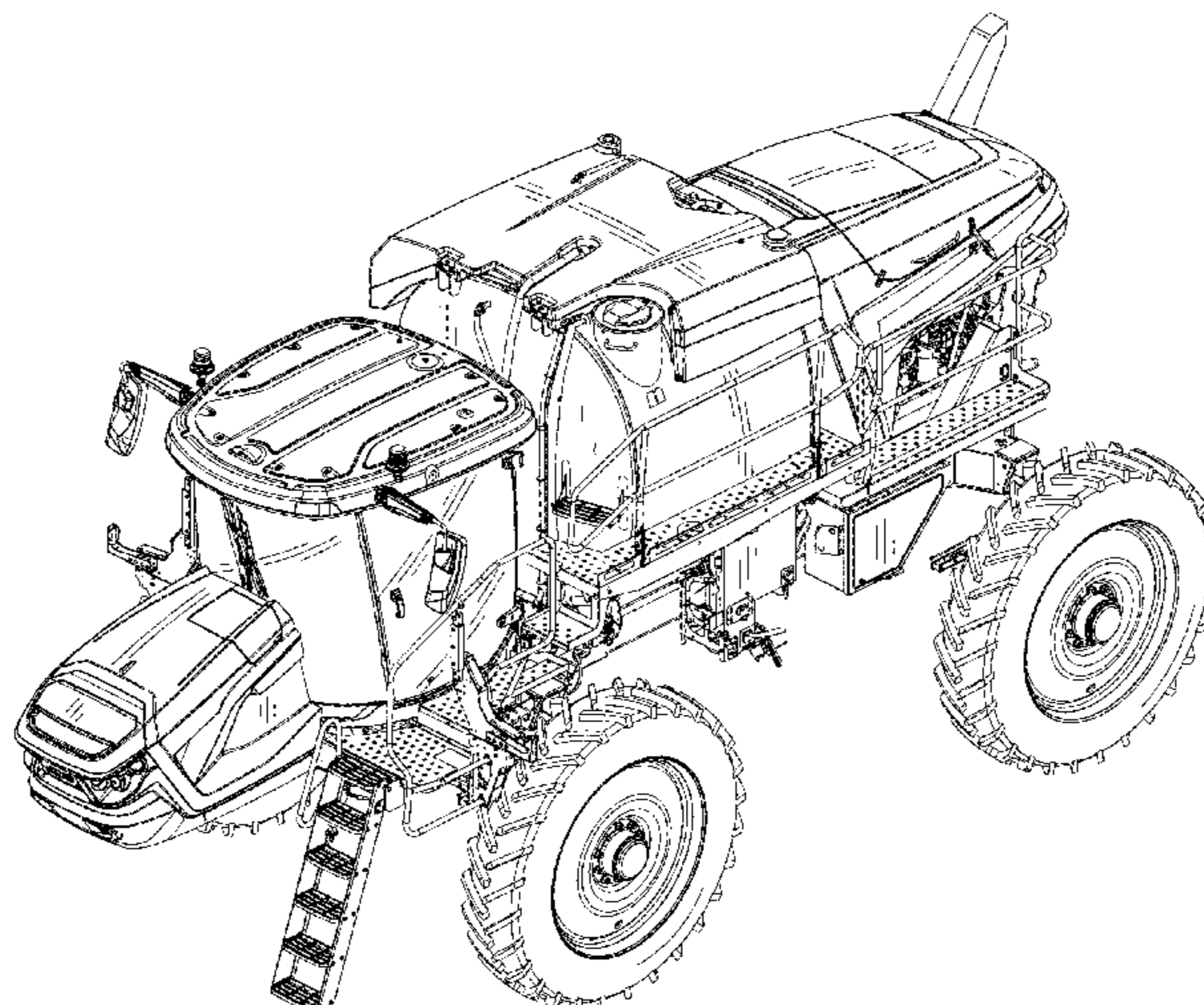
(57) **CLAIM**

The ornamental design for an agricultural vehicle, as shown and described.

DESCRIPTION

FIG. 1 is a perspective view of an agricultural vehicle in accordance with the disclosed design.
FIG. 2 is a front view of the agricultural vehicle illustrated in FIG. 1.
FIG. 3 is a rear view of the agricultural vehicle illustrated in FIG. 1.
FIG. 4 is a first side view of the agricultural vehicle illustrated in FIG. 1.
FIG. 5 is a second side view of the agricultural vehicle illustrated in FIG. 1.
FIG. 6 is a top view of the agricultural vehicle illustrated in FIG. 1; and,
FIG. 7 is another perspective view of the agricultural vehicle illustrated in FIG. 1.
The broken lines contained within the figures, including, but, not limited to, any dash-dot broken lines and/or dash-dash broken lines, represent portions of the agricultural vehicle that form no part of the claimed design. Additionally, contour lines and/or surface shading are illustrated simply for purposes of highlighting the solid-rendering, and, thus, form no part of the claimed design.

1 Claim, 7 Drawing Sheets



(56)

References Cited

U.S. PATENT DOCUMENTS

D892,175 S *	8/2020	Leeb	D15/26
D895,688 S *	9/2020	Wagner	D15/26
D898,782 S *	10/2020	Wagner	D15/26
D923,061 S *	6/2021	Leeb	D15/26

* cited by examiner

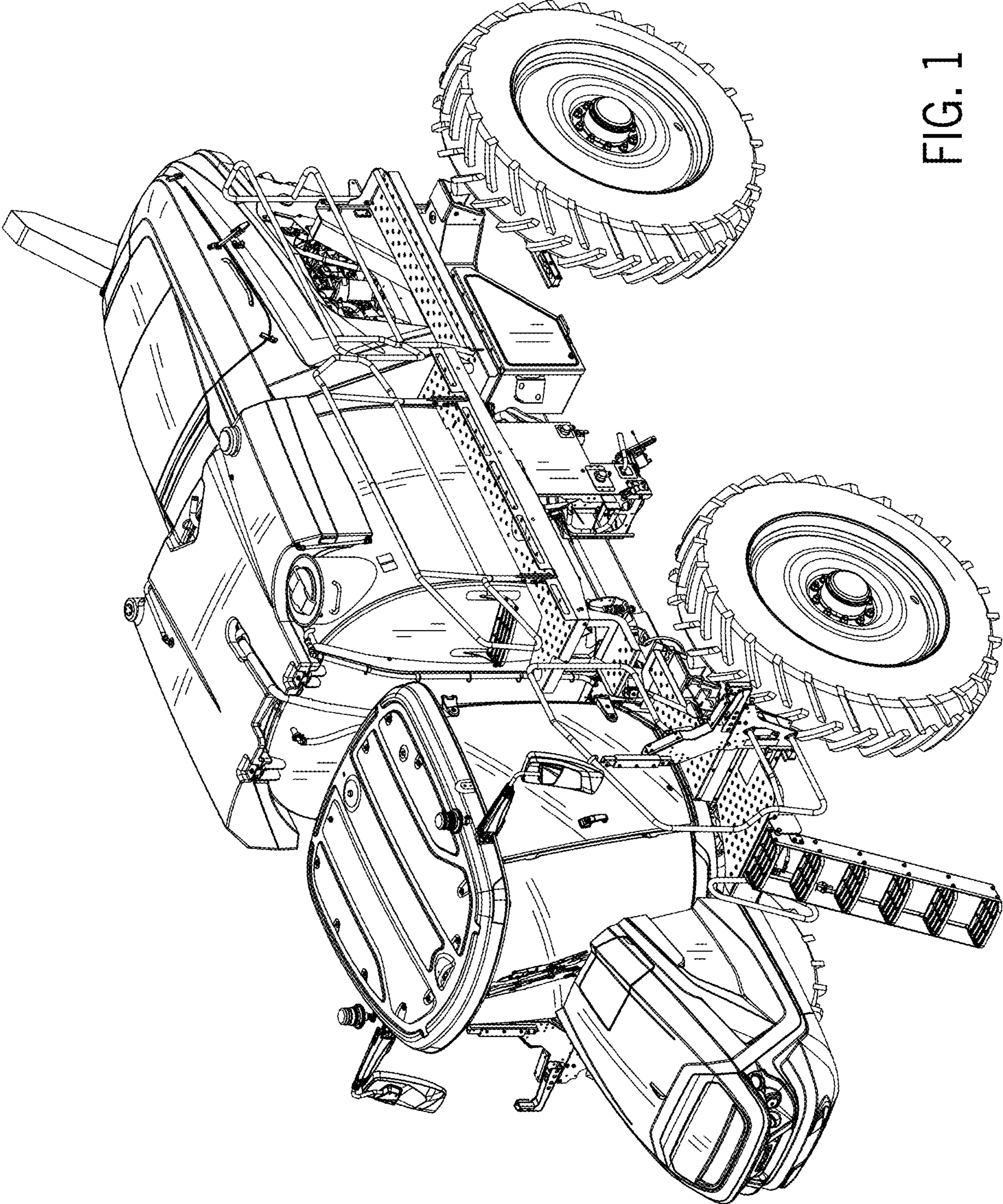


FIG. 1

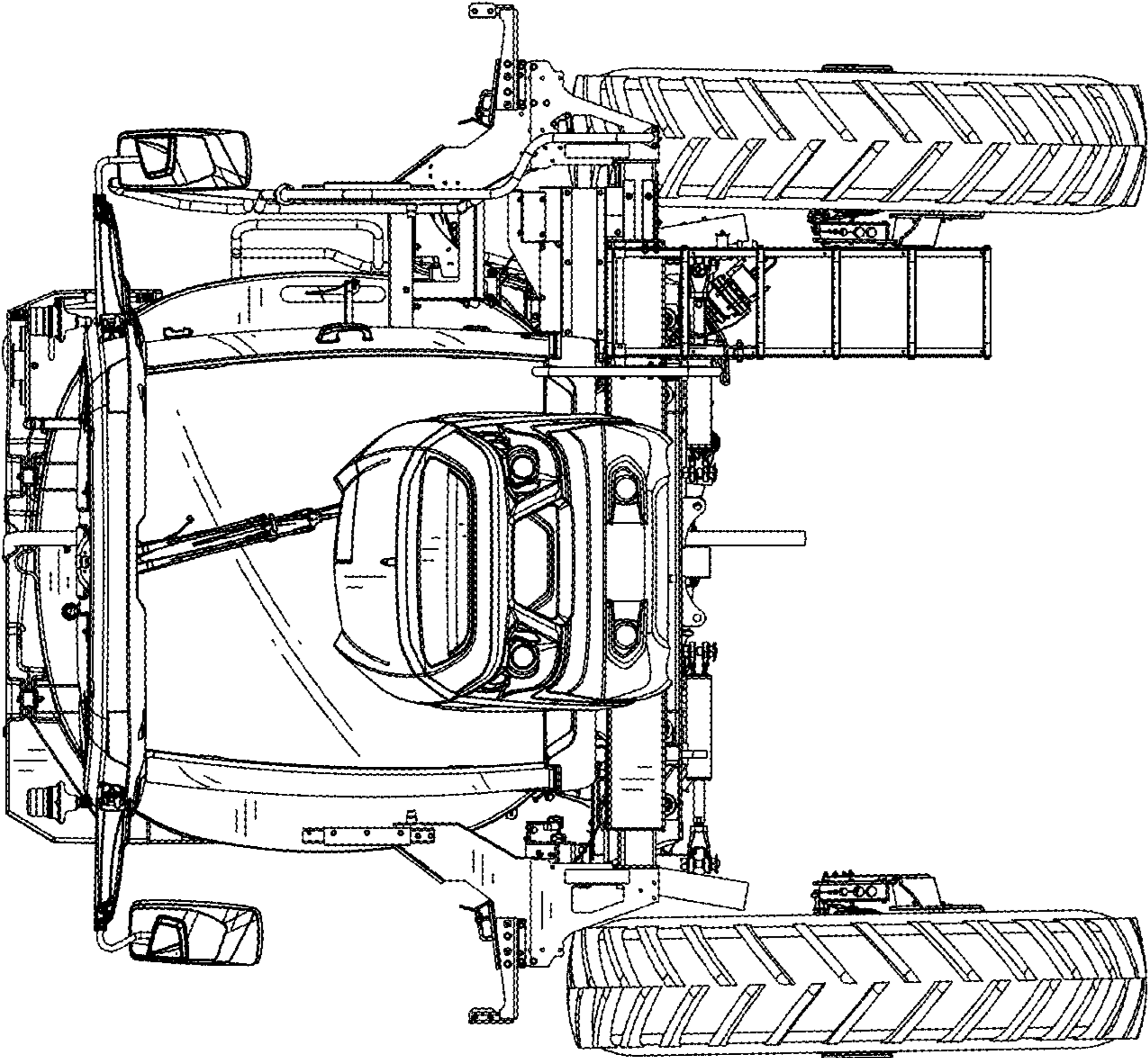


FIG. 2

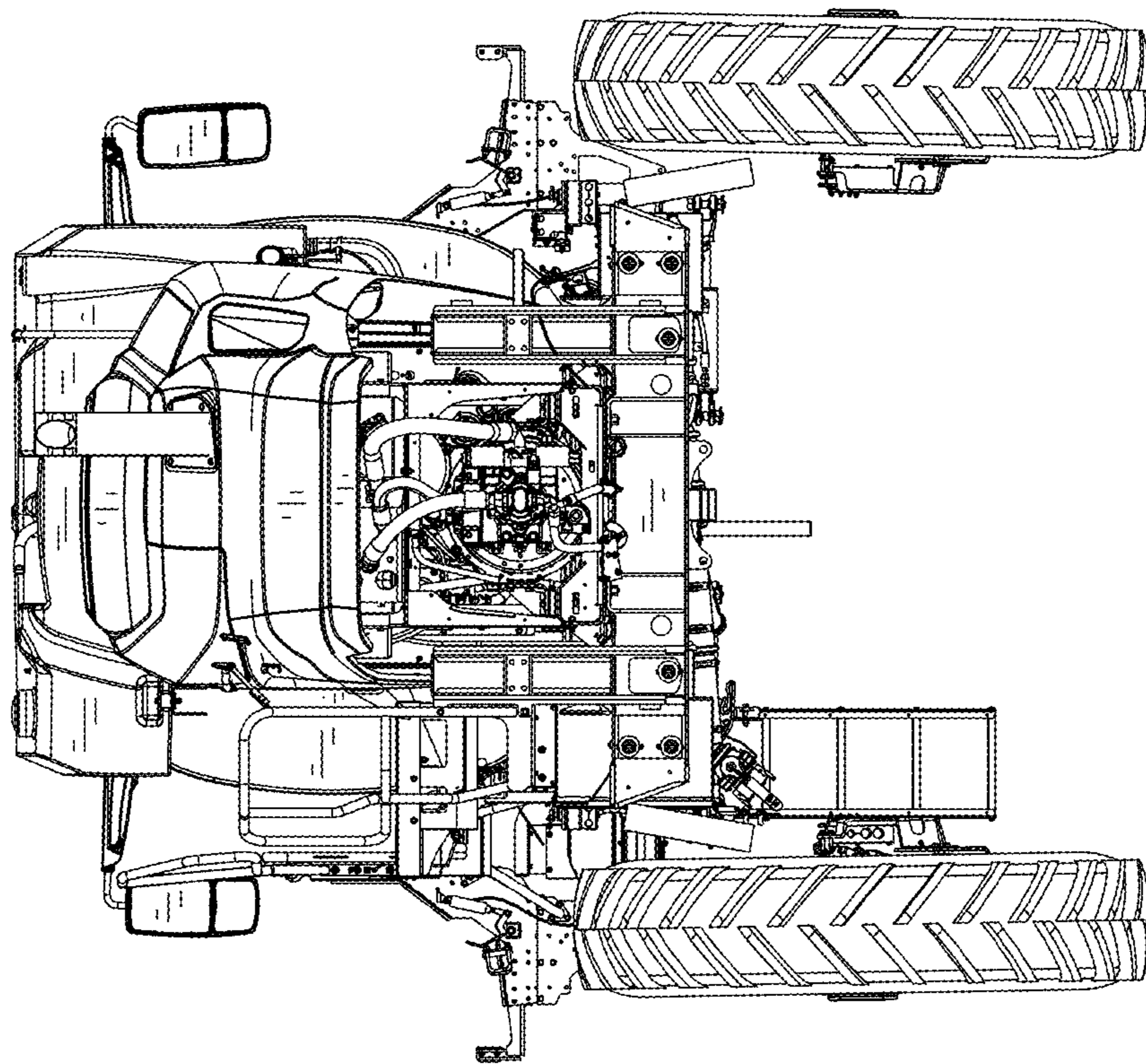


FIG. 3

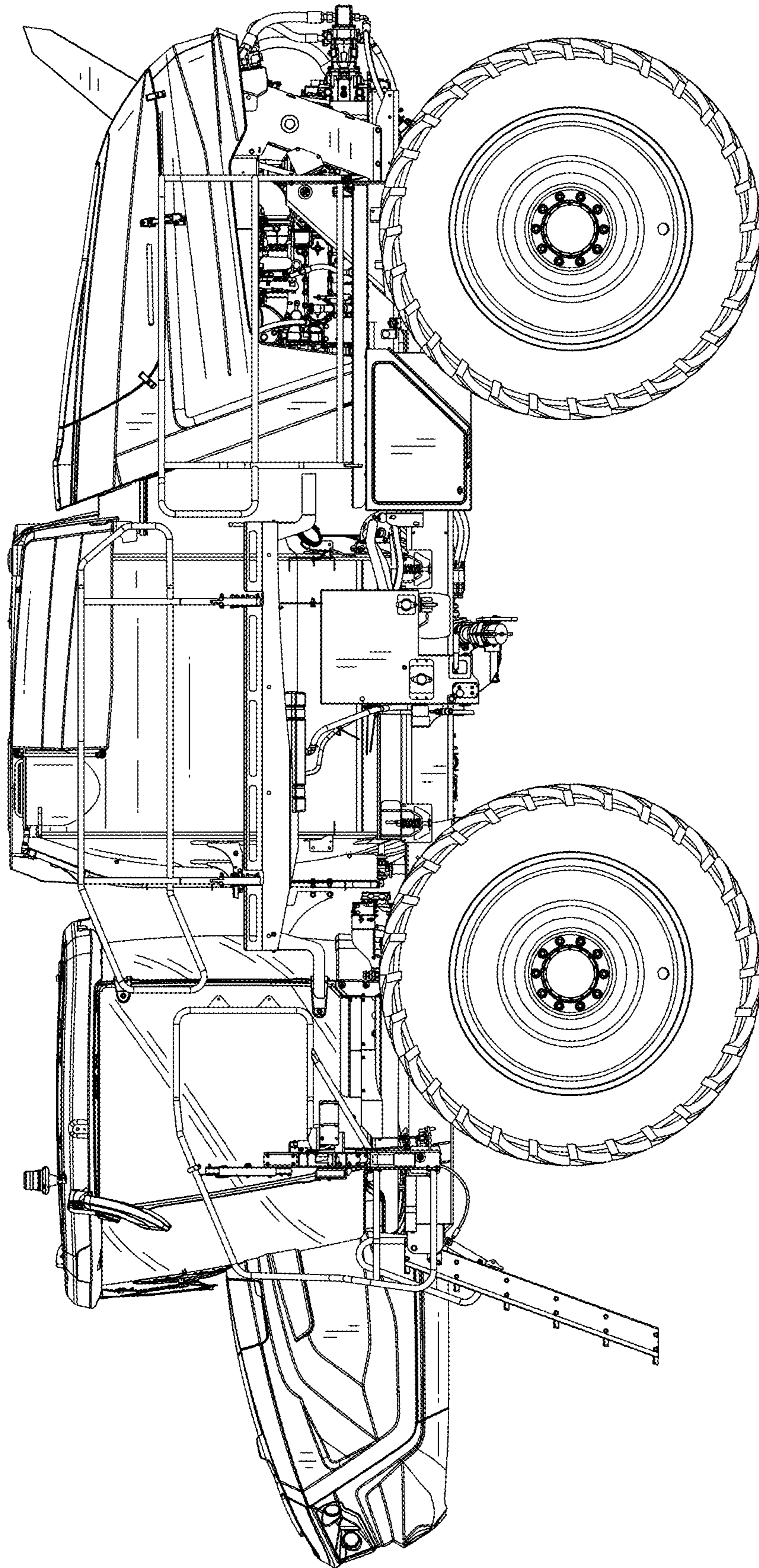


FIG. 4

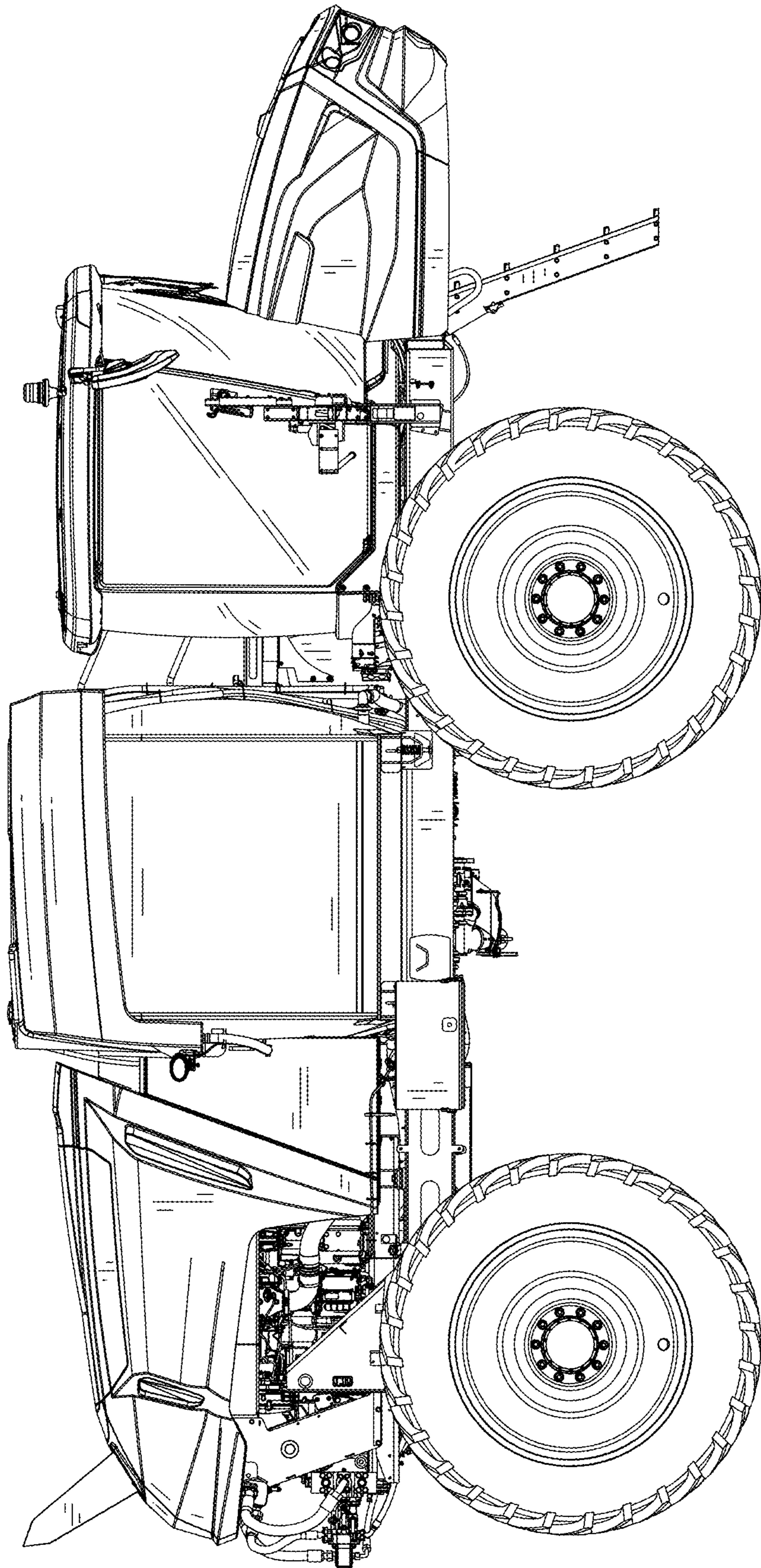


FIG. 5

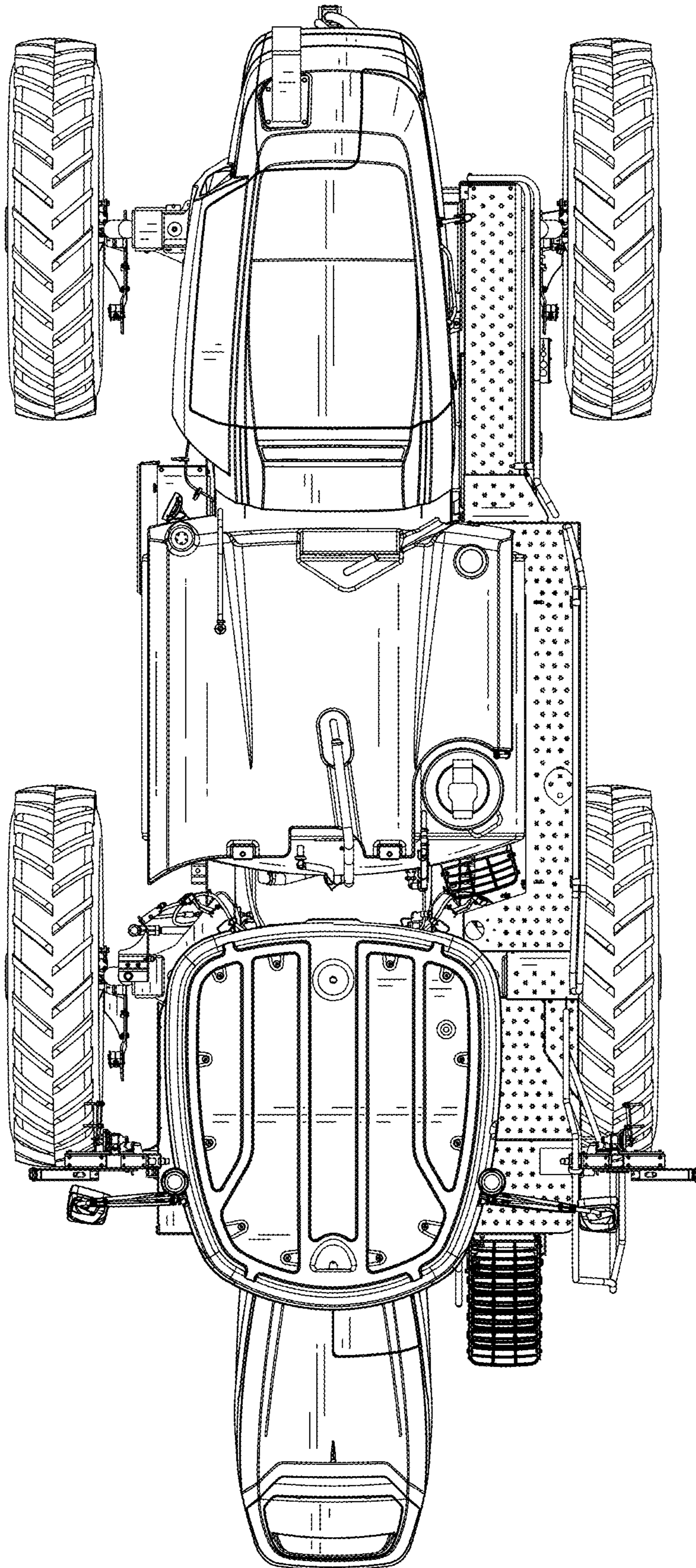


FIG. 6

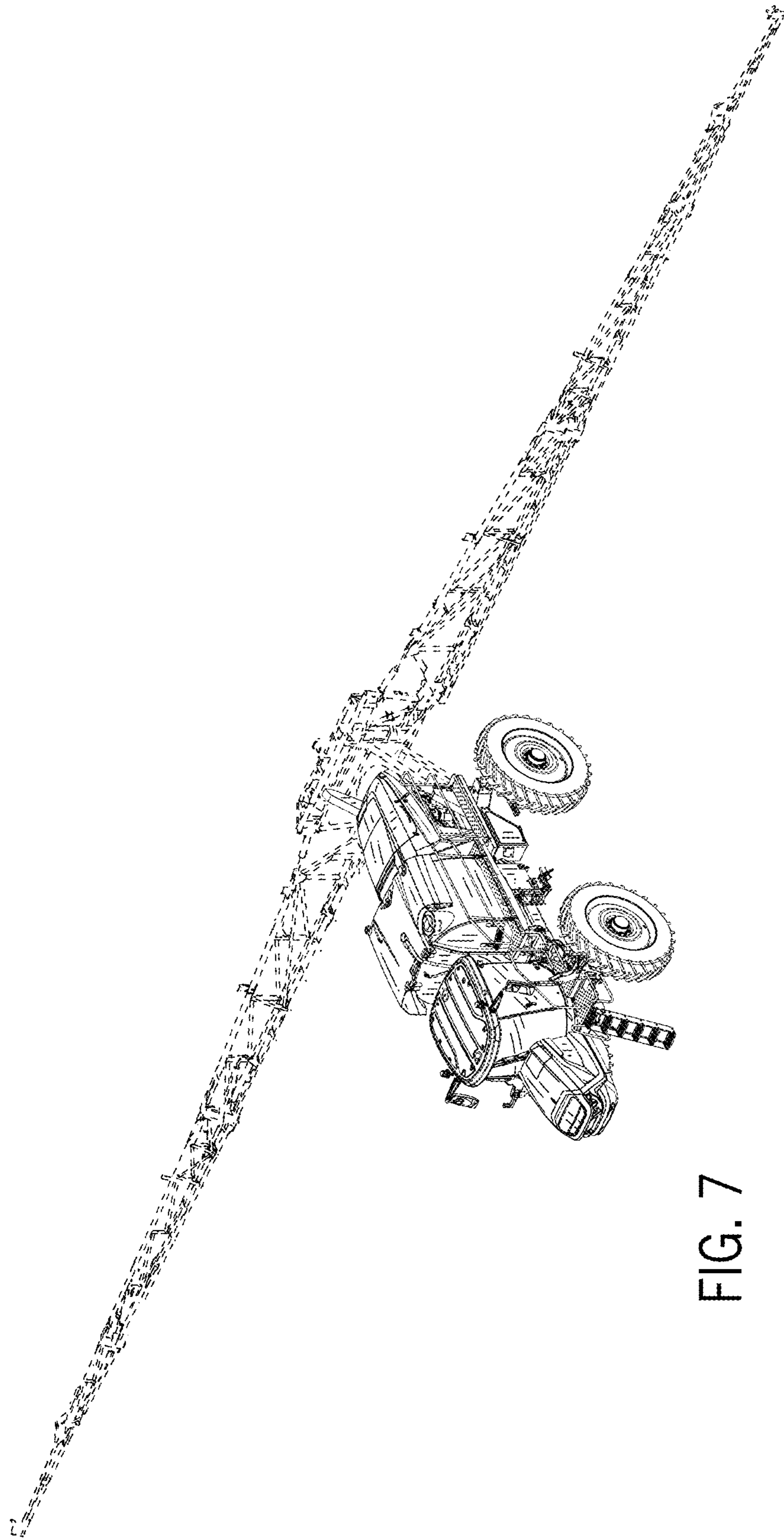


FIG. 7