



US00D982039S

(12) **United States Design Patent**  
**Di Biase**

(10) **Patent No.:** **US D982,039 S**  
(45) **Date of Patent:** **\*\* Mar. 28, 2023**

- (54) **CONSTRUCTION MACHINE**
- (71) Applicant: **MDB SRL**, Lanciano (IT)
- (72) Inventor: **Mario Di Biase**, Lanciano (IT)
- (73) Assignee: **MDB SRL**
- (\*\*) Term: **15 Years**
- (21) Appl. No.: **29/849,618**
- (22) Filed: **Aug. 12, 2022**

- D472,904 S 4/2003 Bares
- D479,535 S 9/2003 Lange
- D482,701 S 11/2003 Bares
- D516,587 S 3/2006 Bares
- D563,438 S 3/2008 Bares
- D572,276 S \* 7/2008 Pinther ..... D15/23
- D572,277 S \* 7/2008 Pinther ..... D15/23

(Continued)

*Primary Examiner* — Mark A Goodwin  
(74) *Attorney, Agent, or Firm* — The Belles Group, P.C.

(57) **CLAIM**

The ornamental design for a construction machine, as shown and described.

**DESCRIPTION**

The file of this patent contains at least one drawing executed in color. Copies of this patent with color drawings will be provided by the Office upon request and payment of the necessary fee.

FIG. 1 is a perspective view of a construction machine according to my new design, wherein a lift arm thereof is in a lowered position;

FIG. 2 is a perspective view thereof, wherein the lift arm is in a raised position;

FIG. 3 is a left side view thereof, wherein the lift arm is in the lowered position;

FIG. 4 is a right side view thereof, wherein the lift arm is in the raised position;

FIG. 5 is a front view thereof, wherein the lift arm is in the lowered position;

FIG. 6 is a front view thereof, wherein the lift arm is in the raised position; and,

FIG. 7 is a top view thereof, wherein the lift arm is in the lowered position.

The broken lines in the drawings illustrate portions of the construction machine that form no part of the claimed design.

**1 Claim, 7 Drawing Sheets**  
**(7 of 7 Drawing Sheet(s) Filed in Color)**

**Related U.S. Application Data**

- (62) Division of application No. 29/758,069, filed on Nov. 12, 2020, now Pat. No. Des. 964,431.

(30) **Foreign Application Priority Data**

May 13, 2020 (EM) ..... 007919162

- (51) **LOC (14) Cl.** ..... **15-03**

- (52) **U.S. Cl.**  
USPC ..... **D15/22**

- (58) **Field of Classification Search**  
USPC ..... D15/10, 21–26, 33, 199; D12/13, 14, 1;  
D34/34

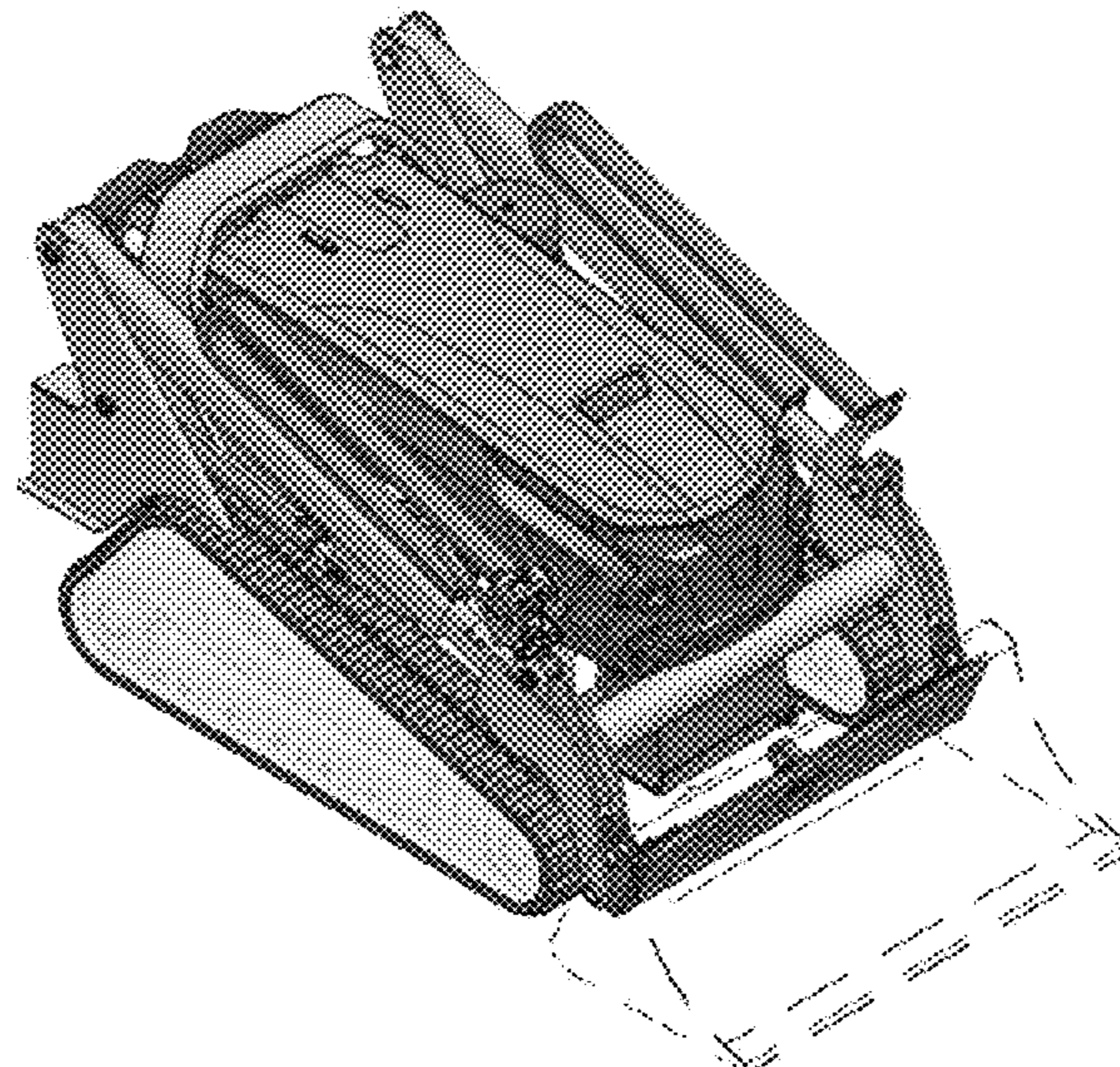
CPC ..... A01B 69/00; G05D 1/00; G05D 1/021;  
B62D 55/065; B62D 55/084; B60P 3/00;  
A62C 27/00

See application file for complete search history.

(56) **References Cited**

**U.S. PATENT DOCUMENTS**

- 5,984,618 A 11/1999 Deneve
- D431,574 S 10/2000 Porter
- D463,454 S 9/2002 Miller
- D466,910 S 12/2002 Miller
- D469,448 S 1/2003 Bares
- D470,512 S 2/2003 Miller
- D470,513 S 2/2003 Miller



(56)

**References Cited**

U.S. PATENT DOCUMENTS

|              |         |                |        |
|--------------|---------|----------------|--------|
| D579,027 S   | 10/2008 | Kato           |        |
| D583,834 S   | 12/2008 | Sugiyama       |        |
| D583,835 S   | 12/2008 | Sugiyama       |        |
| D595,746 S   | 7/2009  | Lida           |        |
| D610,172 S   | 2/2010  | Yukino         |        |
| D739,446 S   | 9/2015  | Nilsson        |        |
| D758,457 S   | 6/2016  | Okuyama        |        |
| D766,343 S   | 9/2016  | Linan          |        |
| D788,184 S   | 5/2017  | Okuyama        |        |
| D790,598 S   | 6/2017  | Furuki         |        |
| D839,929 S * | 2/2019  | Price .....    | D15/23 |
| D947,255 S   | 3/2022  | Zong           |        |
| D964,431 S * | 9/2022  | Di Biase ..... | D15/22 |
| D966,344 S * | 10/2022 | Esqueda .....  | D15/28 |

\* cited by examiner

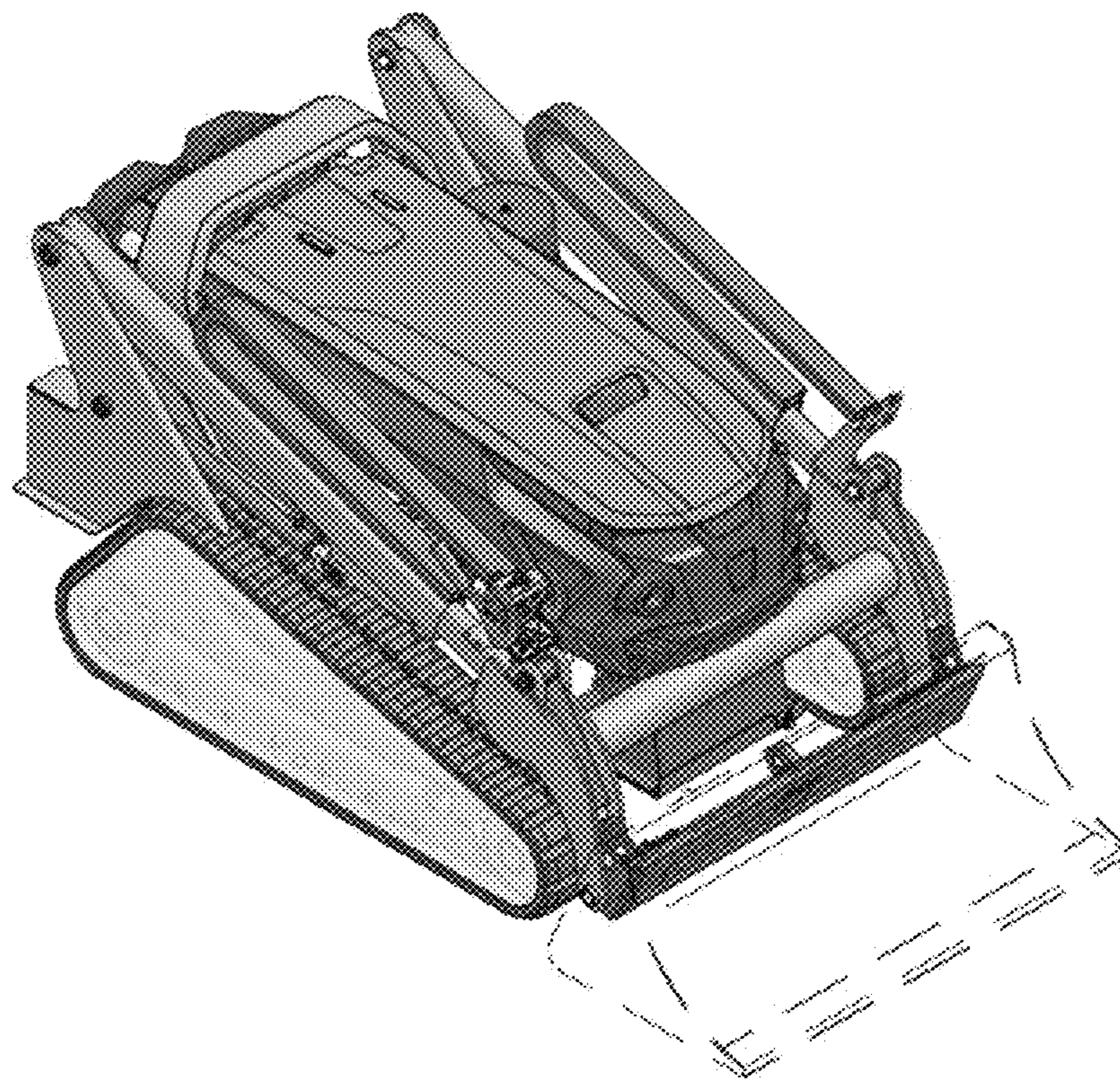


FIG. 1

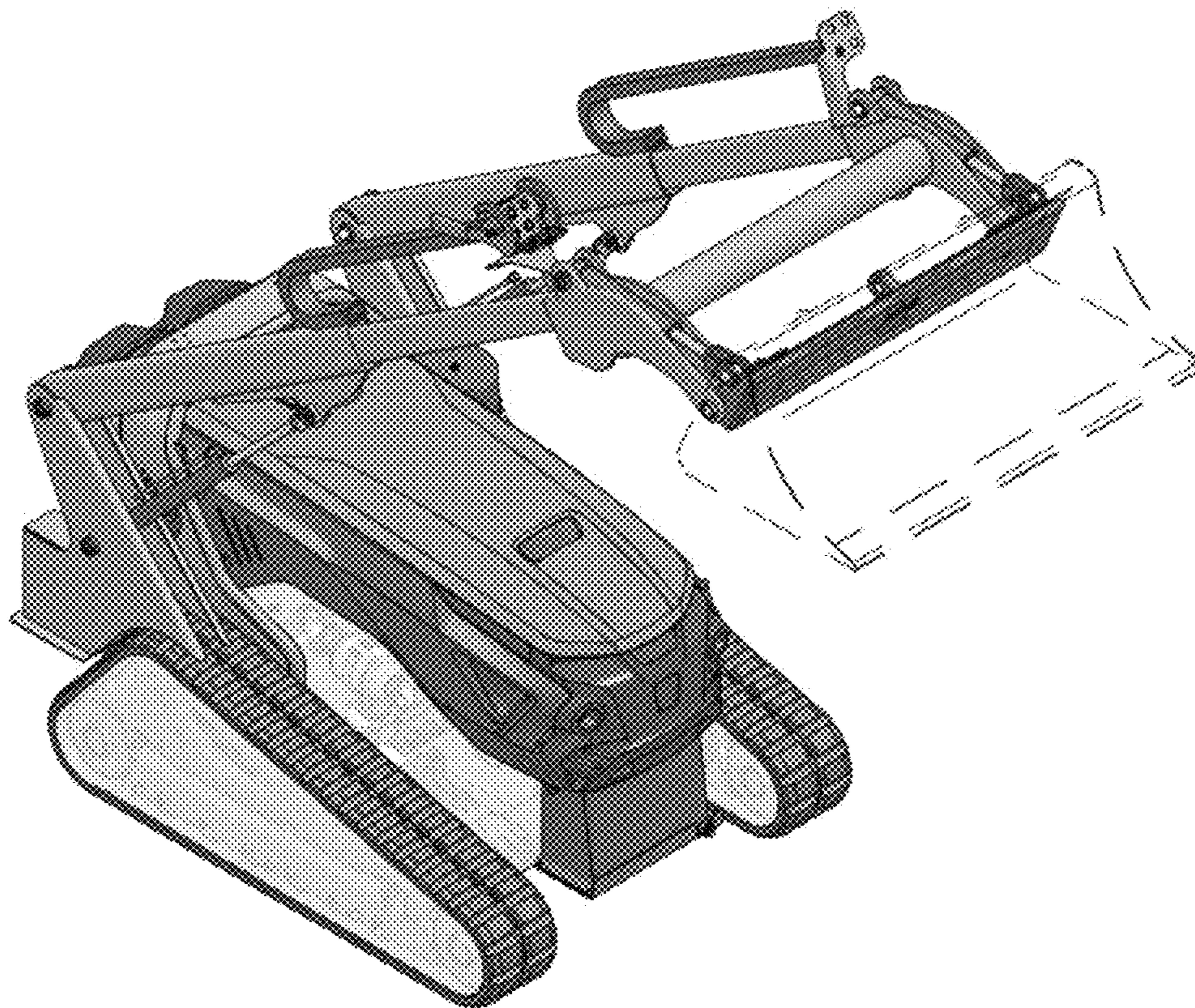


FIG. 2

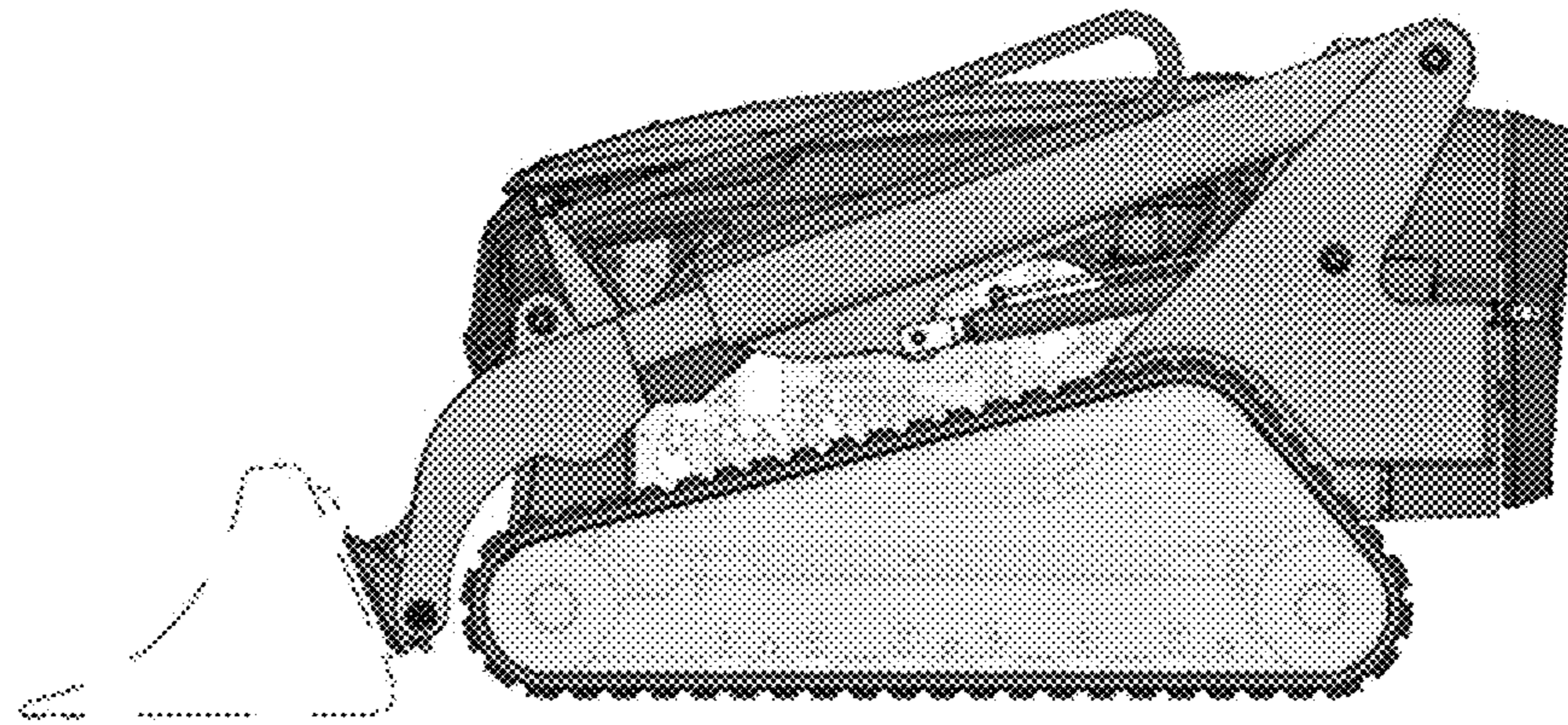


FIG. 3

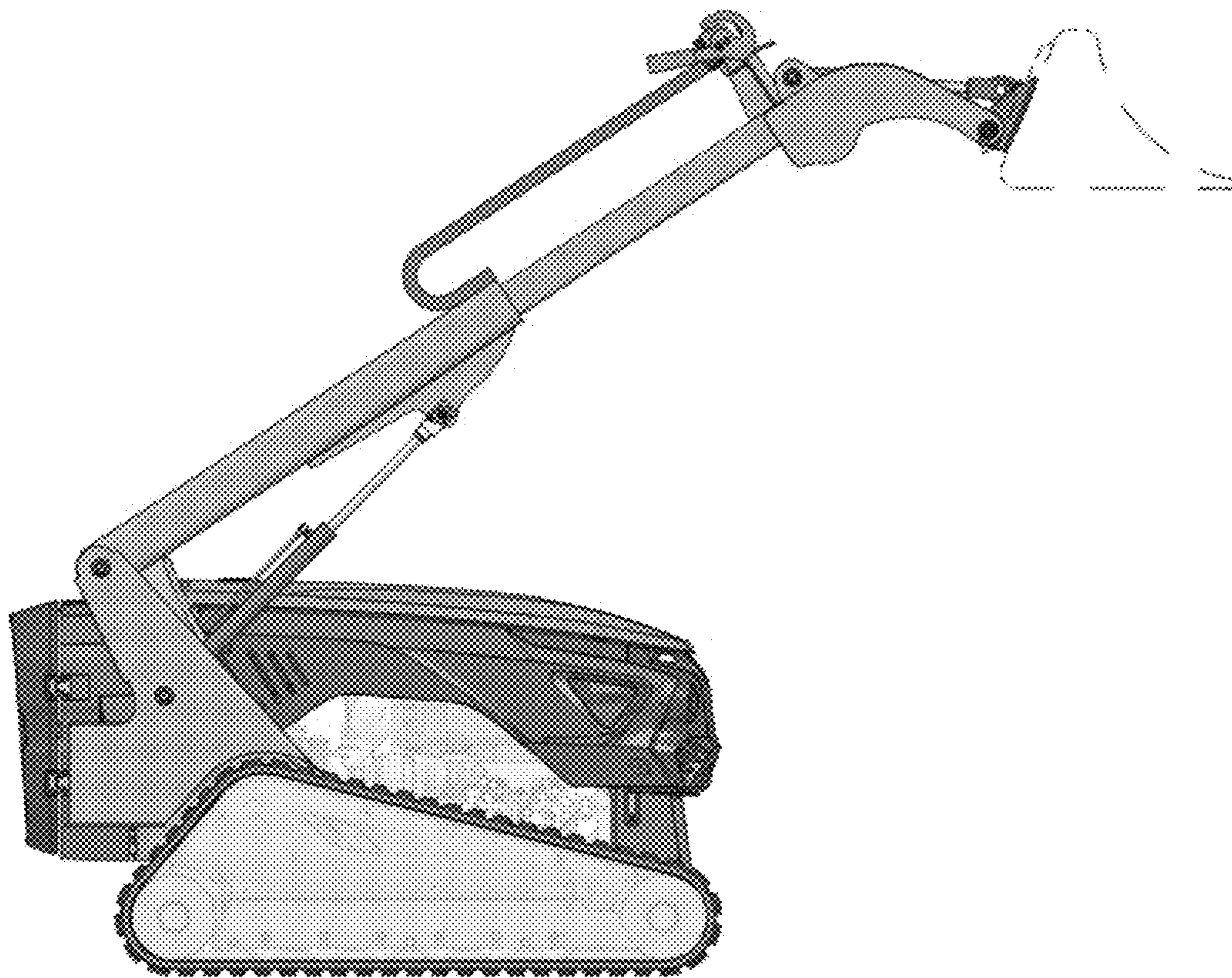


FIG. 4

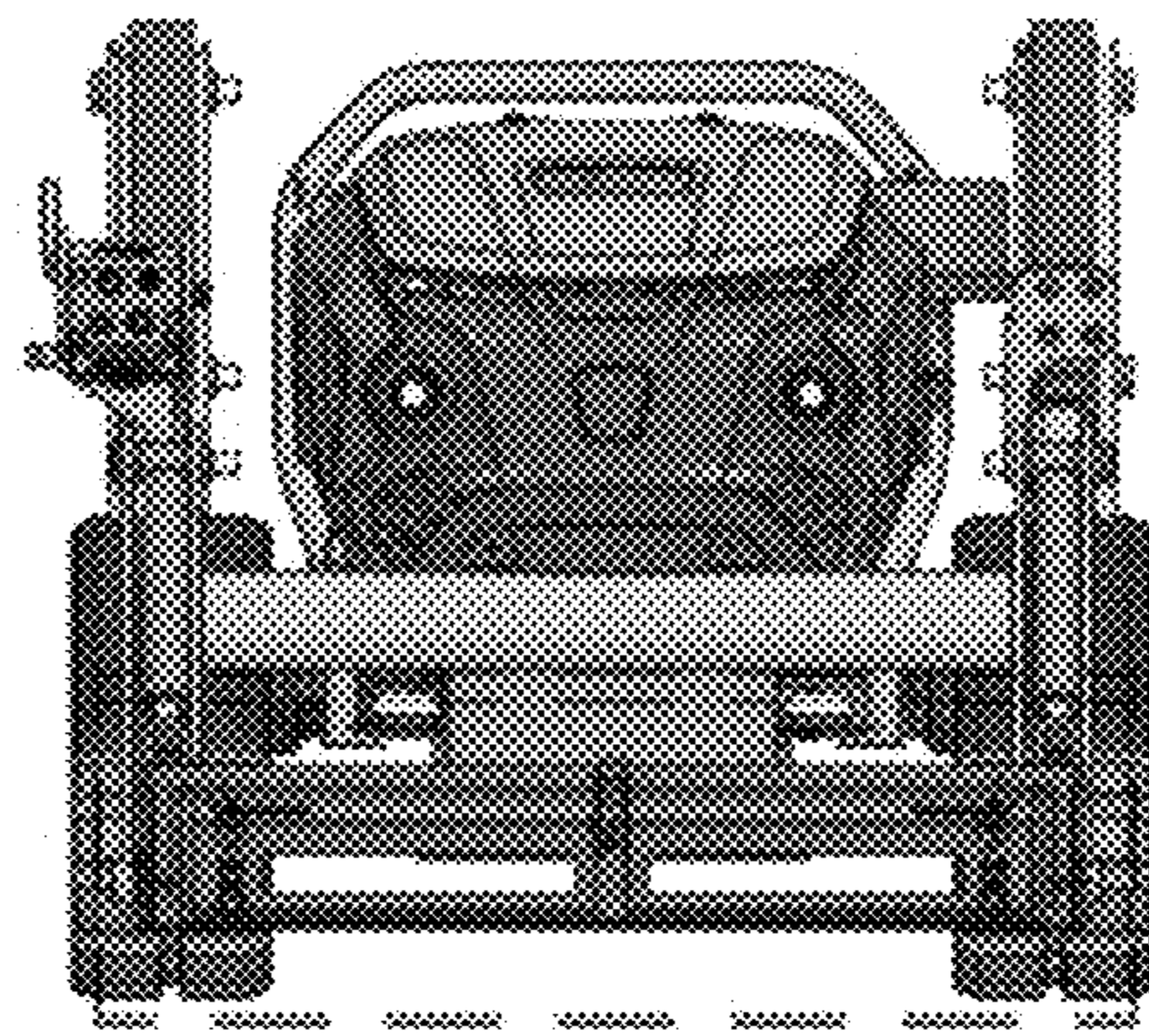


FIG. 5

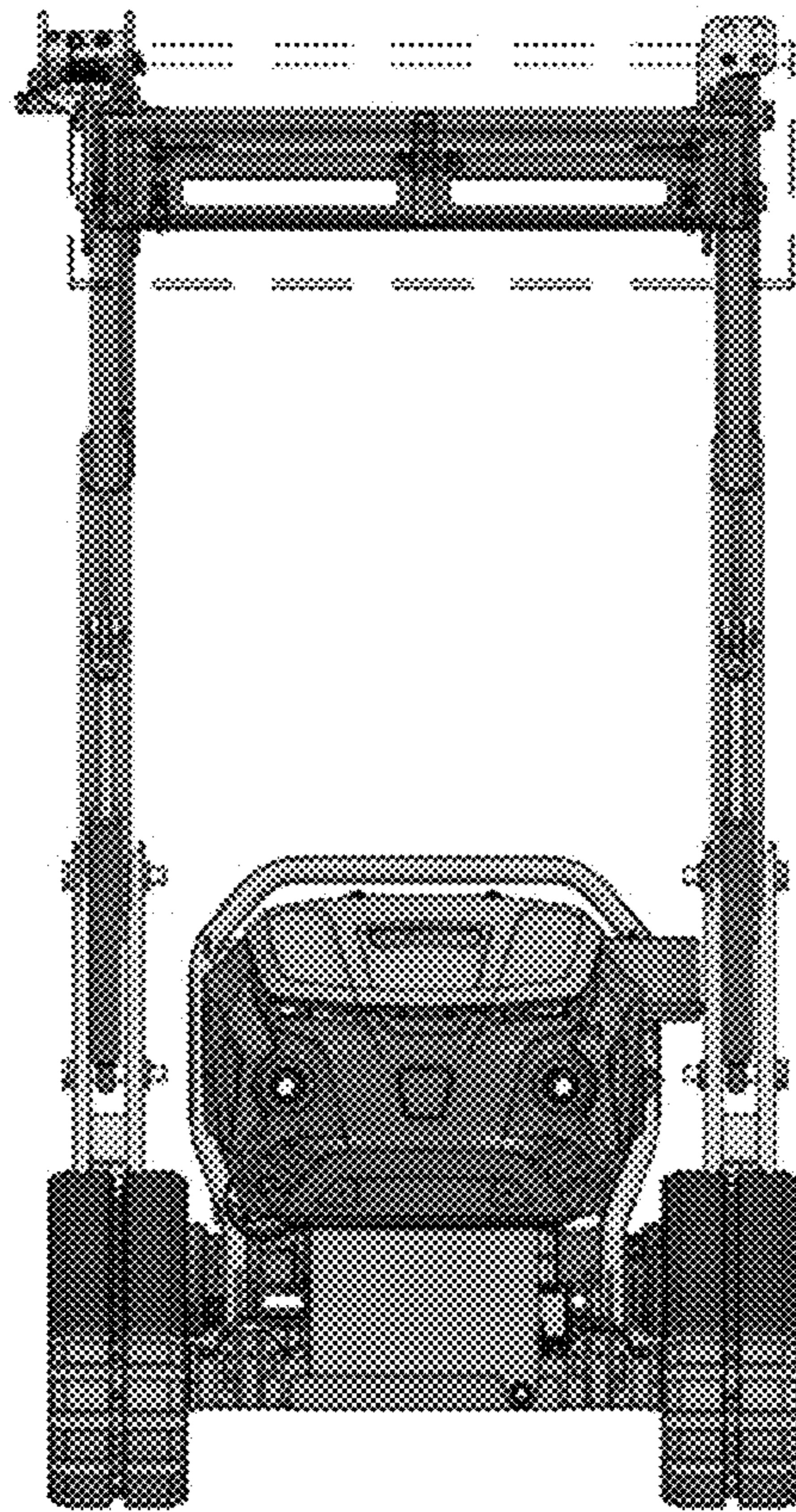


FIG. 6



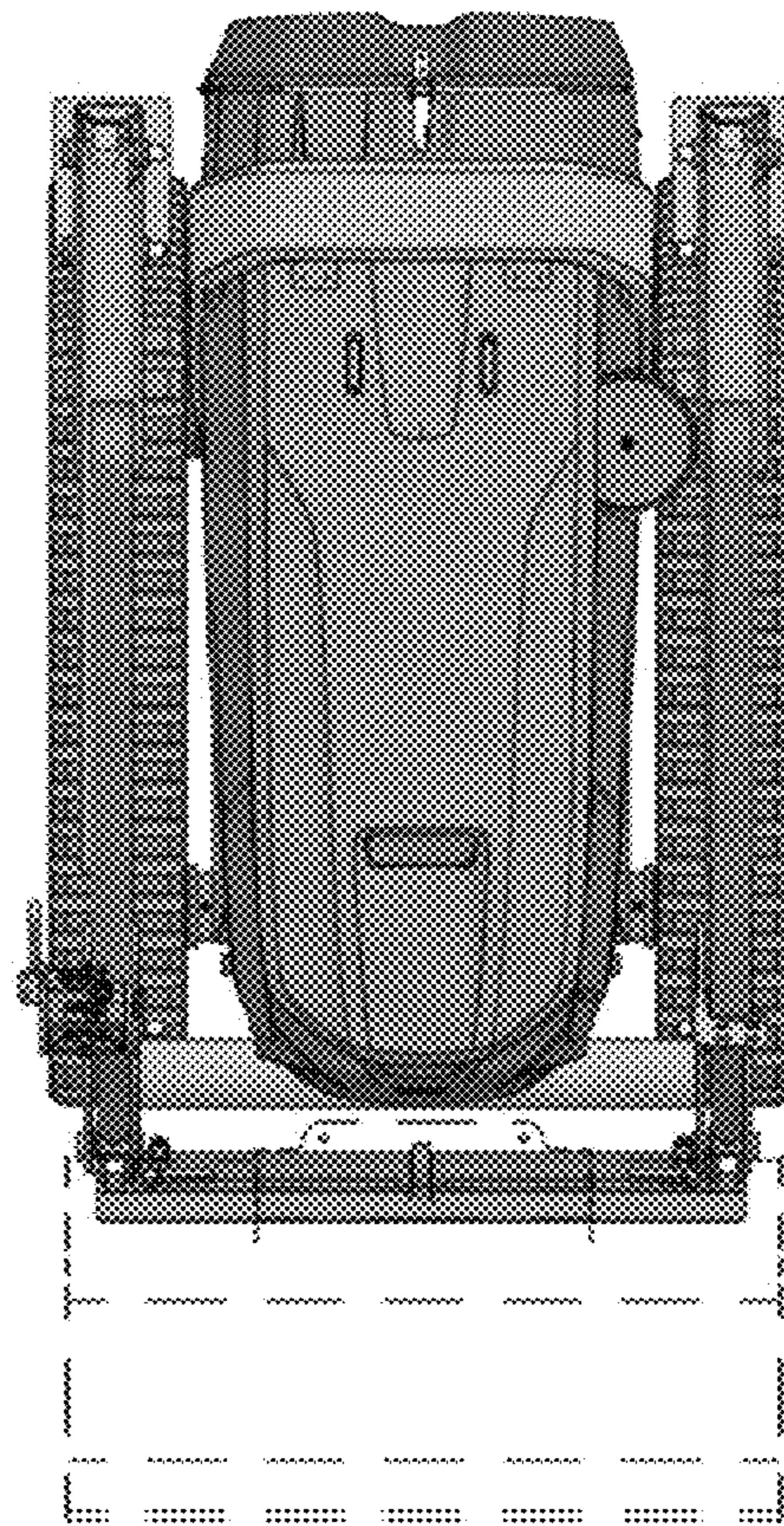


FIG. 7