



US00D982022S

(12) **United States Design Patent**  
**Sakuma**

(10) **Patent No.:** **US D982,022 S**  
(45) **Date of Patent:** **\*\* Mar. 28, 2023**

(54) **DIGITAL CAMERA DISPLAY SCREEN  
HAVING A GRAPHICAL USER INTERFACE**

- (71) Applicant: **FUJIFILM Corporation**, Tokyo (JP)
- (72) Inventor: **Nanae Sakuma**, Saitama (JP)
- (73) Assignee: **FUJIFILM Corporation**, Tokyo (JP)
- (\*\*) Term: **15 Years**
- (21) Appl. No.: **29/744,696**
- (22) Filed: **Jul. 30, 2020**
- (30) **Foreign Application Priority Data**

Jan. 31, 2020 (JP) ..... 2020-001899 D

- (51) **LOC (14) Cl.** ..... **14-04**
- (52) **U.S. Cl.**  
USPC ..... **D14/485**

- (58) **Field of Classification Search**  
USPC ..... D14/485-495  
CPC .... G06F 3/048; G06F 3/0481; G06F 3/04812;  
G06F 3/04815; G06F 3/04817; G06F  
3/0482; G06F 3/0483; G06F 3/0484;  
G06F 3/04842; G06F 3/04845; G06F  
3/04847; G06F 3/0485; G06F 3/04855;  
G06F 3/0486; G06F 3/0487; G06F  
3/0488; G06F 3/04883; G06F 3/04886  
See application file for complete search history.

(56) **References Cited**

**U.S. PATENT DOCUMENTS**

D404,389 S *	1/1999	Mullin	.....	D14/493
D461,478 S *	8/2002	Bungert	.....	D14/489
D677,326 S *	3/2013	Gleasant	.....	D18/27
D689,096 S *	9/2013	Nagaoka	.....	D14/489
D751,109 S *	3/2016	Chetan	.....	D14/487
D755,232 S *	5/2016	Jutte	.....	D14/491
D757,096 S *	5/2016	Ostrowski	.....	D14/491
D757,104 S *	5/2016	Park	.....	D14/492
D757,790 S *	5/2016	Ostrowski	.....	D14/491
D771,123 S *	11/2016	Anzures	.....	D14/492
D784,360 S *	4/2017	Harder	.....	D14/485
D786,924 S *	5/2017	Greene	.....	D14/491
D799,550 S *	10/2017	Faulkner	.....	D14/485

(Continued)

**OTHER PUBLICATIONS**

Asahi Camera; Design of a Digital Camera; pp. 152; vol. 962; published on Jan. 1, 2007; (Design Division of the Japan Patent Office, Publication material No. HA18028534).

(Continued)

*Primary Examiner* — Daniel J Domino

(74) *Attorney, Agent, or Firm* — Studebaker & Brackett PC

(57) **CLAIM**

The ornamental design for a digital camera display screen having a graphical user interface, as shown and described.

**DESCRIPTION**

FIG. 1 is a perspective view of a digital camera display screen having a graphical user interface, showing the new design;

FIG. 2 is a front view thereof;

FIG. 3 is a rear view thereof;

FIG. 4 is a top view thereof;

FIG. 5 is a left side view thereof;

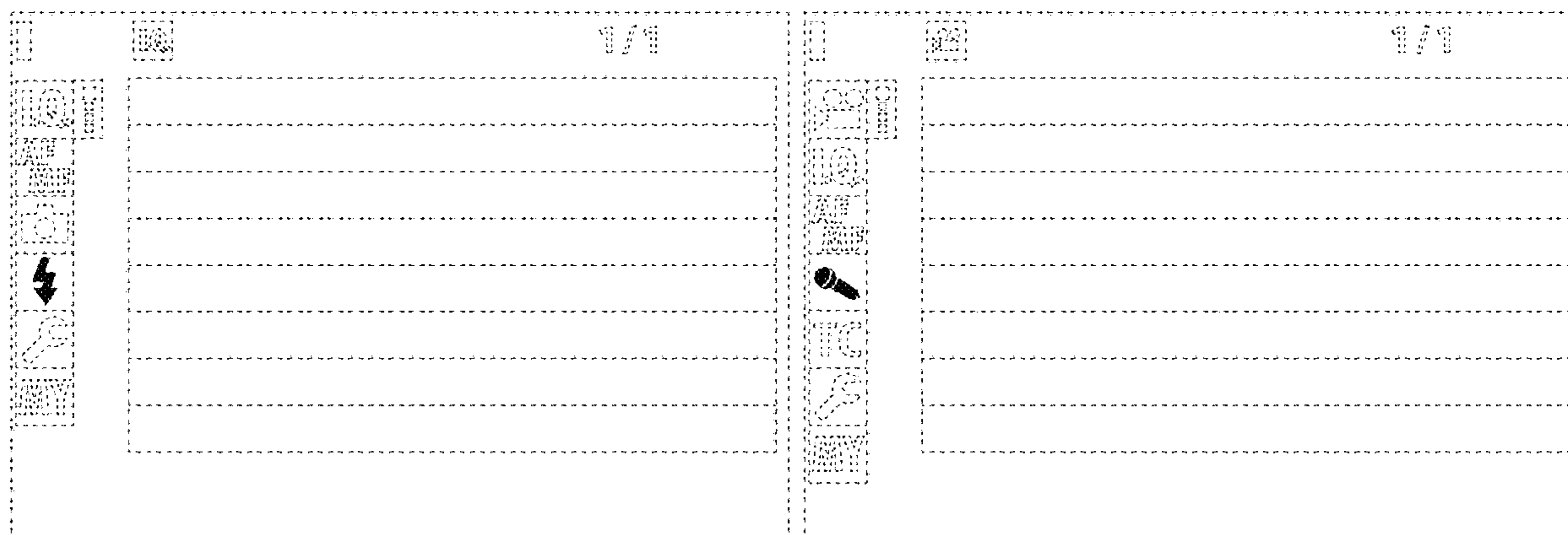
FIG. 6 is an enlarged view taken from FIG. 3 showing a first image of the graphical user interface; and,

FIG. 7 is a second image thereof.

The broken lines illustrate portions of the digital camera display screen having a graphical user interface and form no part of the claimed design. A bottom view and a right side view do not depict portions for which design patent is sought, and are omitted.

The appearance of the graphical user interface transitions sequentially between FIGS. 6 and 7. The process or period in which one image transitions to another forms no part of the claimed design.

**1 Claim, 7 Drawing Sheets**



(56)

**References Cited**

U.S. PATENT DOCUMENTS

D803,880 S *	11/2017	Höhne .....	D14/491
D804,524 S *	12/2017	Zin .....	D14/489
D898,059 S *	10/2020	Bequet .....	D14/491
D917,560 S *	4/2021	Keller .....	D14/489
D923,052 S *	6/2021	Anzures .....	D14/492
D926,816 S *	8/2021	Lee .....	D14/491
D932,513 S *	10/2021	Cadow .....	D14/491
D940,198 S *	1/2022	Muthukumar .....	H04L 51/08 D14/487
D946,048 S *	3/2022	Sung .....	D14/491
D948,571 S *	4/2022	Lee .....	D14/492
D959,488 S *	8/2022	Lee .....	D14/491
D962,990 S *	9/2022	Frenkler .....	D14/492

OTHER PUBLICATIONS

Takeshi Oura; "Review of "GFX 50R"; a middle-sized mirrorless camera achieving both high image quality and ease of handling

(Mynavi News)"; Dec. 3, 2019; Internet URL: <http://news.mynavi.jp/article/20191203-929897/>; [retrieved on Aug. 8, 2020].

Kuroneko No Mimi (YouTube); Review of camera on Xperia 5! Performance Comparison with iPhone 11 and Galaxy Note 10+; Nov. 9, 2019; Internet URL: <https://www.youtube.com/watch?v=rtaar77qerM>; [retrieved on Aug. 31, 2020].

Chack\_Rick (depositphotos); "Microphone Icon"; Microphone Icon (ID: 114142276); Jun. 22, 2016; Internet URL: <https://jp.depositphotos.com/114142276/stock-illustration-microphone-icon-microphone-icon-flat.html>; [retrieved Aug. 28, 2020].

An Office Action mailed by the Japanese Patent Office dated Oct. 6, 2020, which corresponds to Japanese Design Application No. 2020-001899 and is related to Design U.S. Appl. No. 29/744,696 with partial English translation.

An Office Action mailed by the Japanese Patent Office dated Mar. 2, 2021, which corresponds to Japanese Design Application No. 2020-001899 and is related to Design U.S. Appl. No. 29/744,696; with partial English language translation.

\* cited by examiner

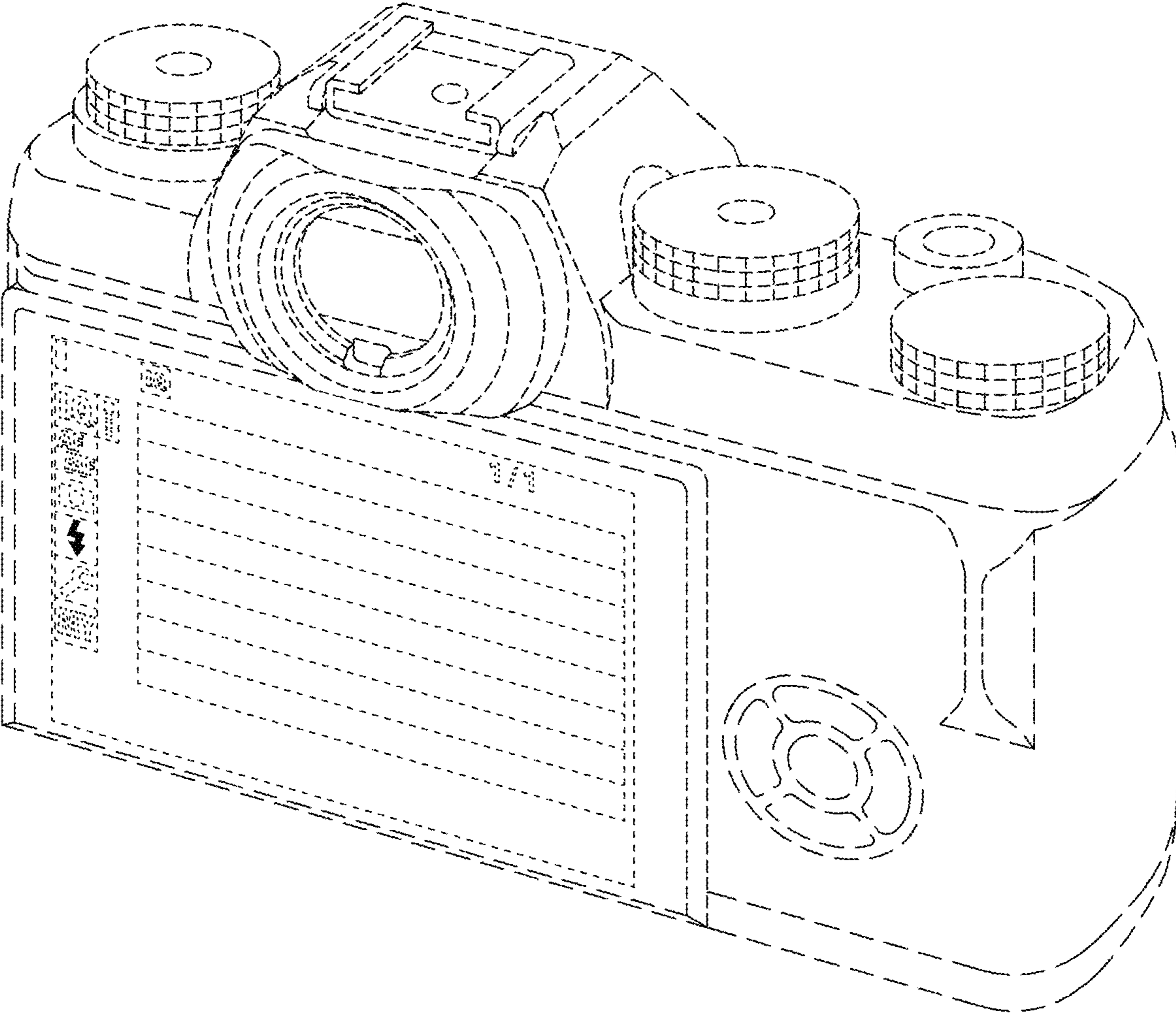


FIG. 1



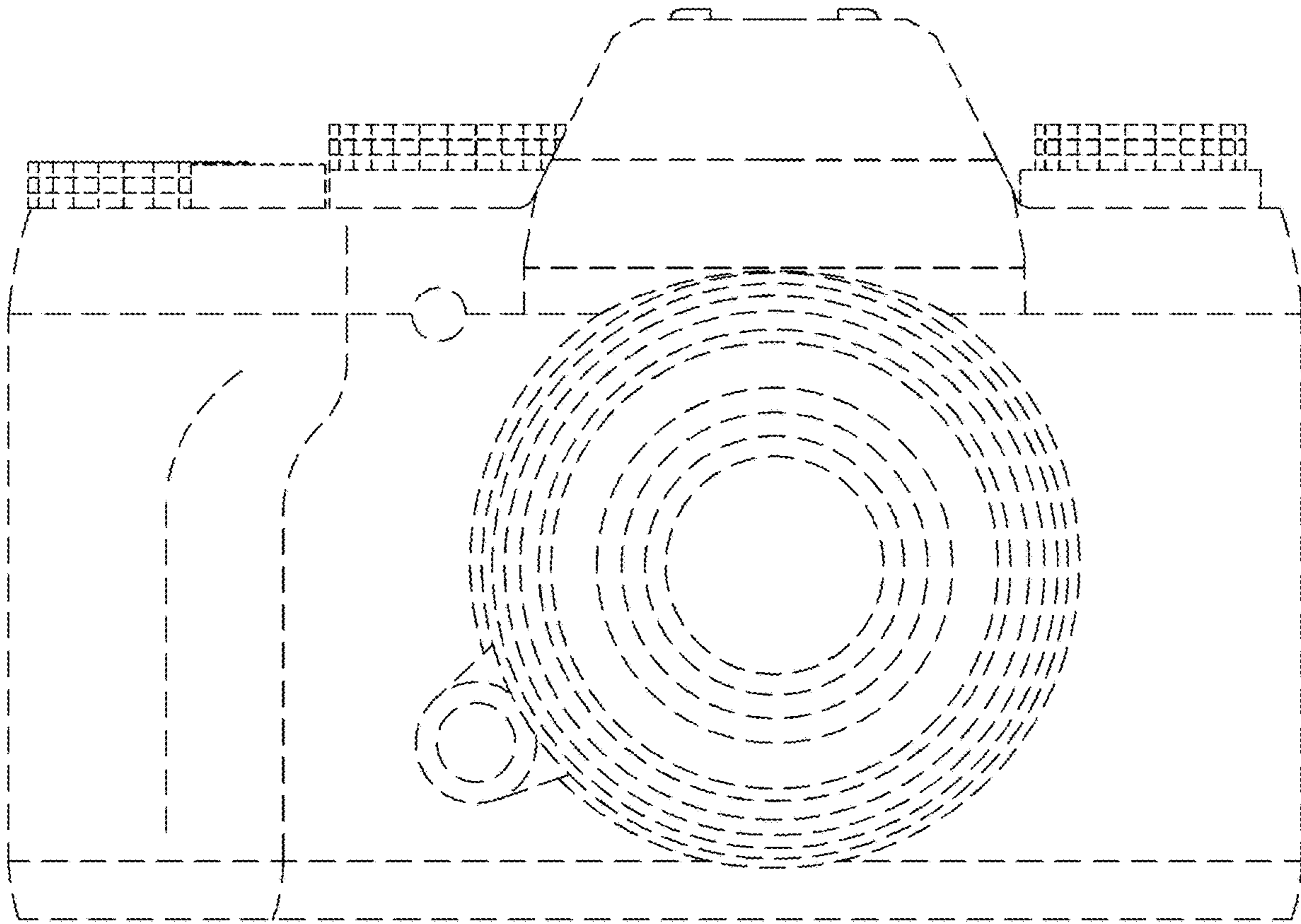


FIG. 2

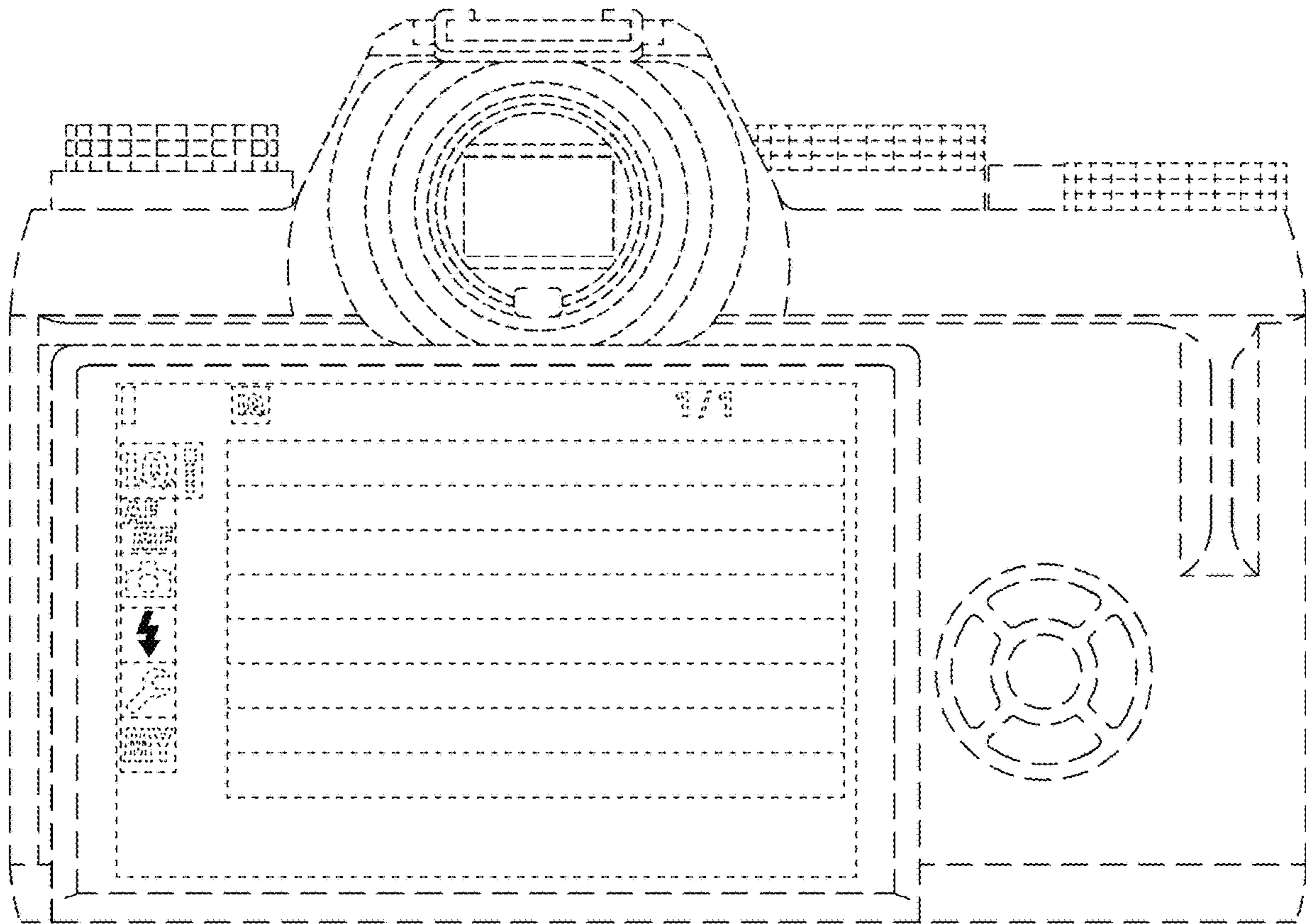


FIG. 3

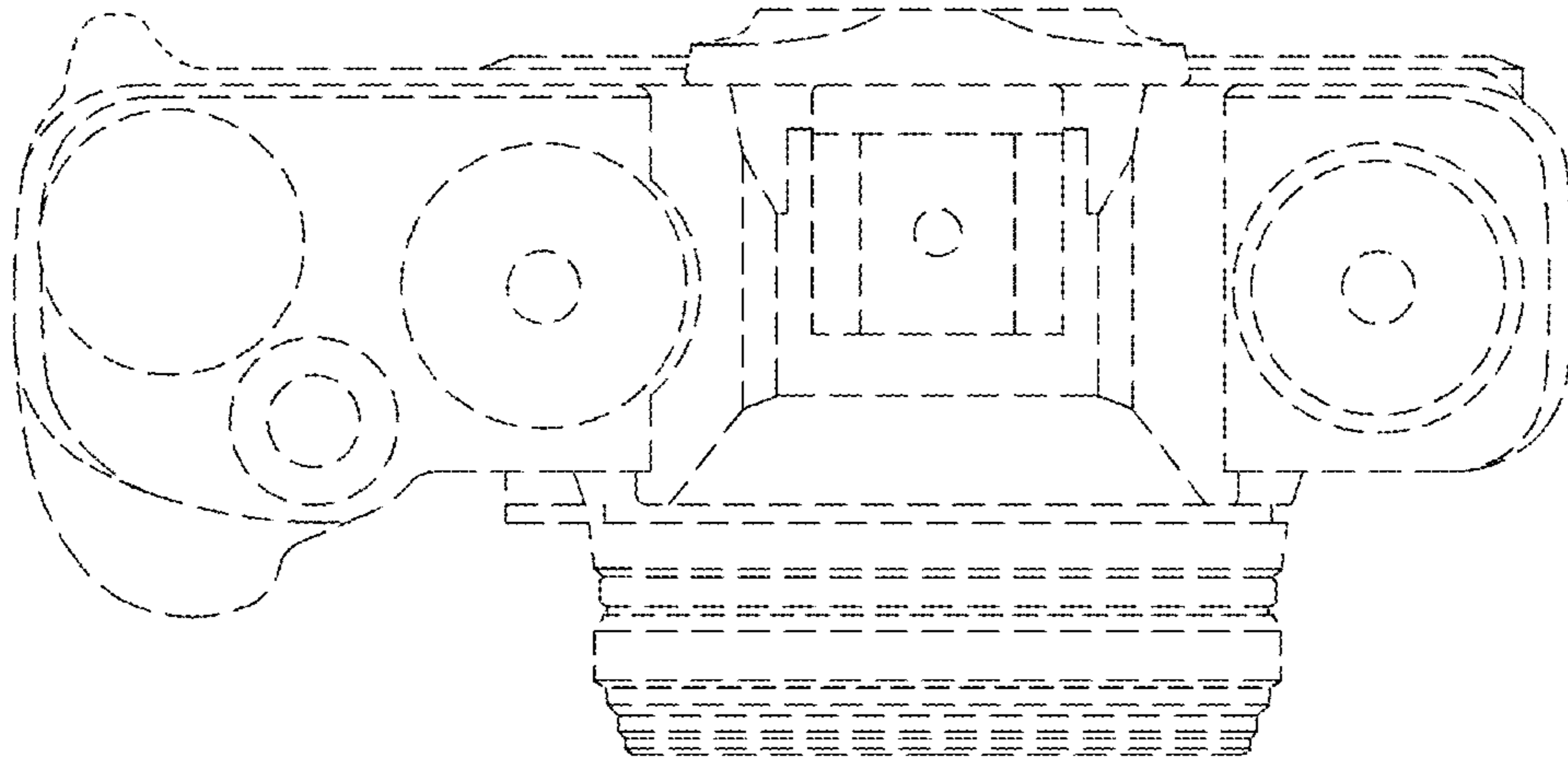


FIG. 4

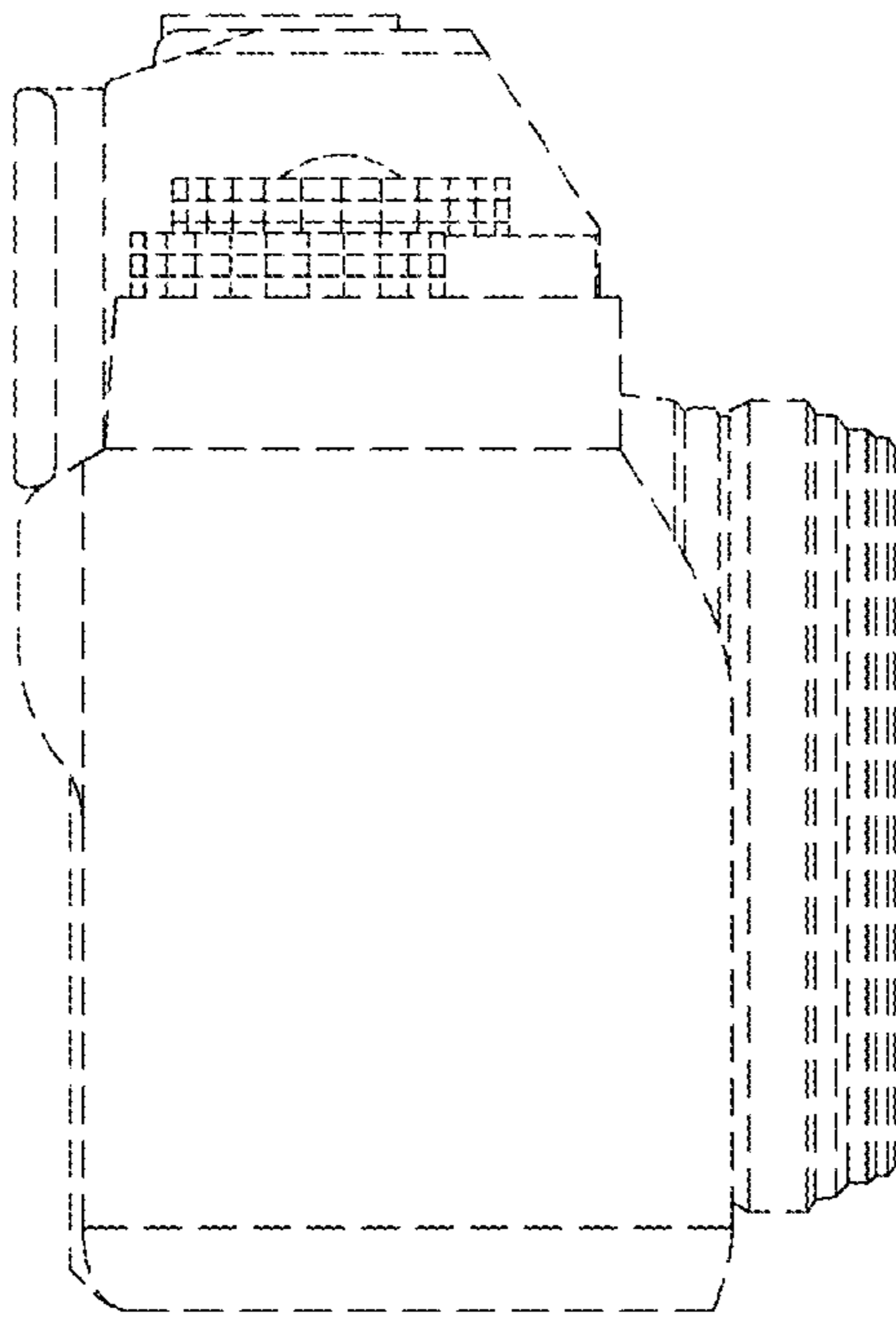


FIG. 5

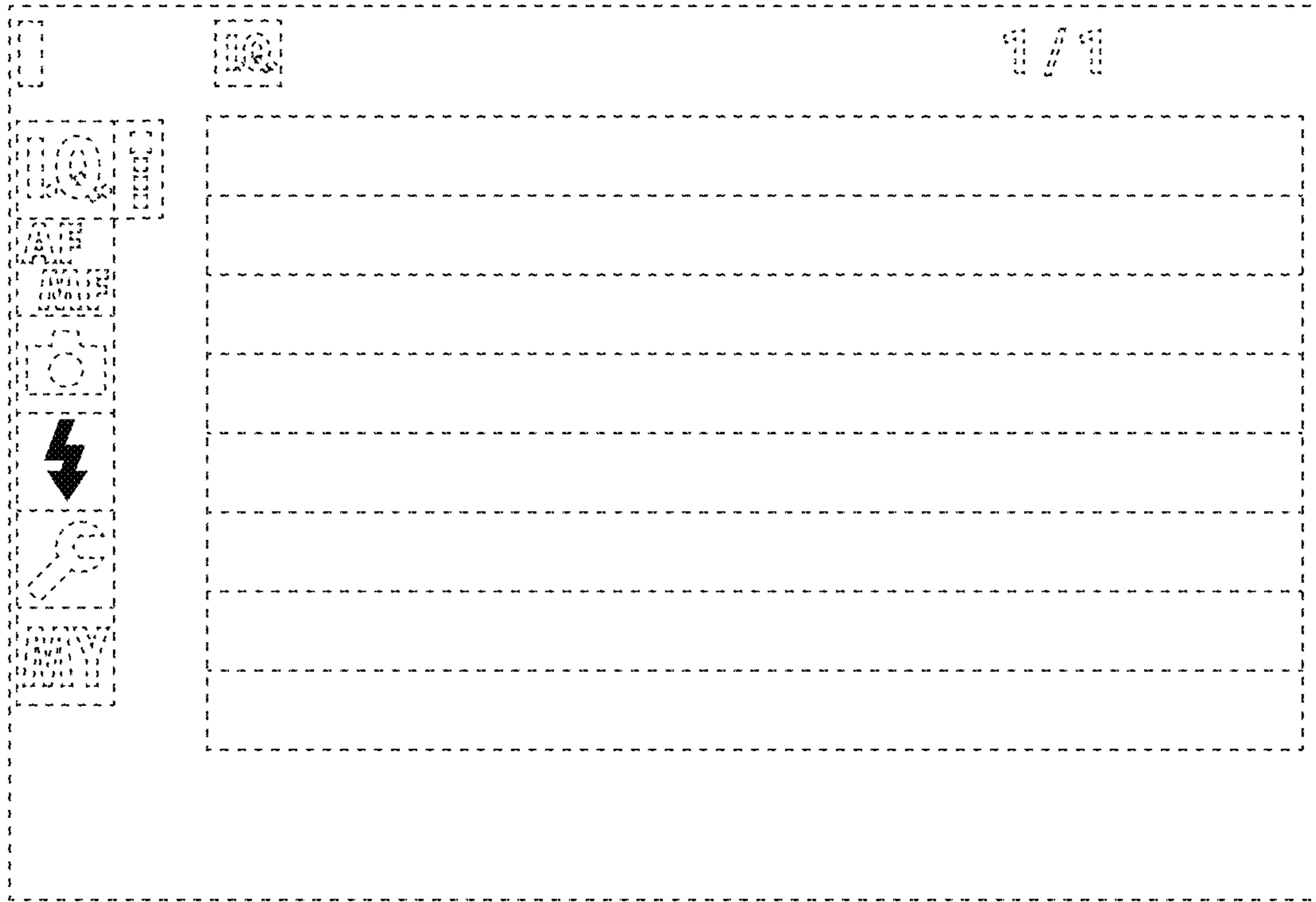


FIG. 6



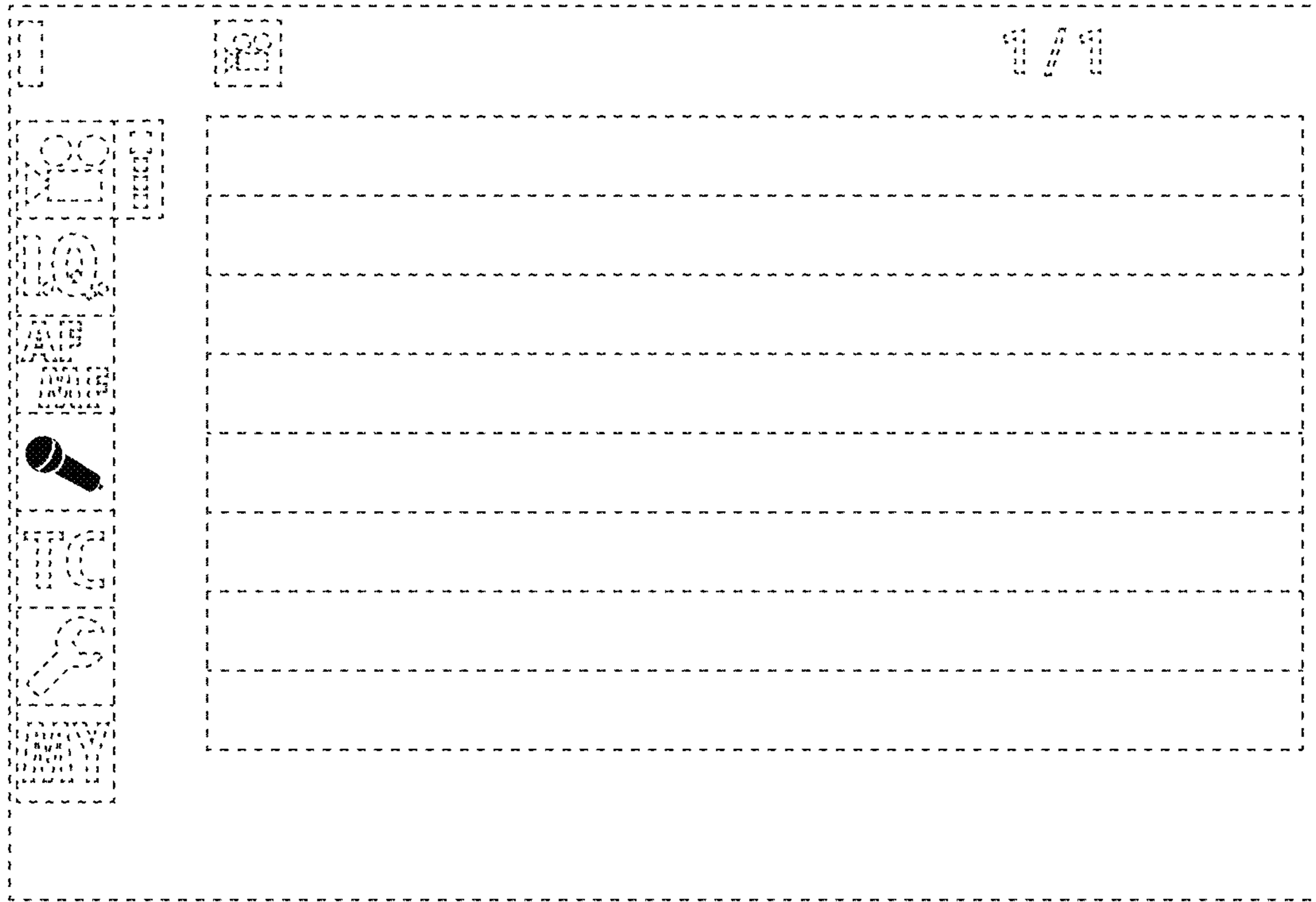


FIG. 7