



US00D982020S

(12) **United States Design Patent**  
**Jia**

(10) **Patent No.:** **US D982,020 S**  
(45) **Date of Patent:** **\*\* Mar. 28, 2023**

(54) **DESKTOP STAND SET**

(71) Applicant: **SHENZHEN BESTQI INNOVATION TECHNOLOGY CO., LTD**, Shenzhen (CN)

(72) Inventor: **Daqiang Jia**, Shenzhen (CN)

(73) Assignee: **SHENZHEN BESTQI INNOVATION TECHNOLOGY CO., LTD**, Shenzhen (CN)

(\*\*) Term: **15 Years**

(21) Appl. No.: **29/779,981**

(22) Filed: **Apr. 22, 2021**

(51) **LOC (14) Cl.** ..... **14-02**

(52) **U.S. Cl.**  
USPC ..... **D14/451**

(58) **Field of Classification Search**  
USPC ..... D14/251, 252, 253, 432, 433, 434, 440, D14/447, 451, 452, 457; D6/406.3,  
(Continued)

(56) **References Cited**

**U.S. PATENT DOCUMENTS**

5,027,961 A \* 7/1991 Howitt ..... A47B 87/0253  
211/188  
5,685,441 A \* 11/1997 Calfee ..... A47B 81/06  
211/188

(Continued)

**OTHER PUBLICATIONS**

Amazon.com\_ Huanuo Monitor Stand, first available Jun. 9, 2022 [online], retrieved Sep. 30, 2022, available at URL: <https://a.co/d/5KcM5p8> (Year: 2022).\*

(Continued)

*Primary Examiner* — Wendy L Arminio  
*Assistant Examiner* — Carrie S Gelula

(57) **CLAIM**

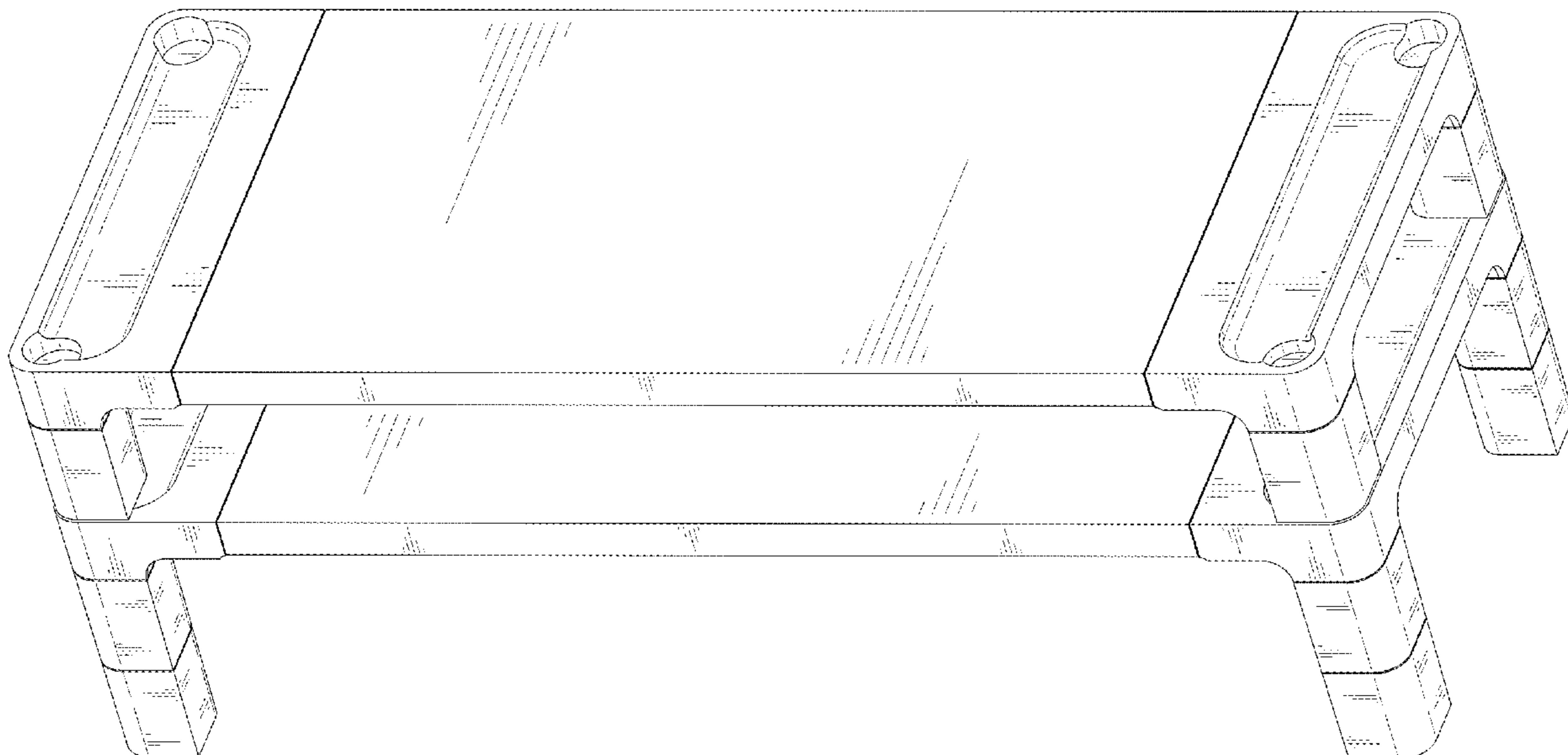
The ornamental design for a desktop stand set, as shown and described.

**DESCRIPTION**

FIG. 1 is a perspective view of a first component of a desktop stand set showing my new design; FIG. 2 is another perspective view thereof; FIG. 3 is a front elevational view thereof; FIG. 4 is a rear elevational view thereof; FIG. 5 is a left side elevational view thereof; FIG. 6 is a right side elevational view thereof; FIG. 7 is a top plan view thereof; FIG. 8 is a bottom plan view thereof; FIG. 9 is an enlarged detail view of portion 9 shown in FIG. 2; FIG. 10 is a perspective view of a second component of the desktop stand set showing my new design; FIG. 11 is another perspective view thereof; FIG. 12 is a front elevational view thereof; FIG. 13 is a rear elevational view thereof; FIG. 14 is a left side elevational view thereof; FIG. 15 is a right side elevational view thereof; FIG. 16 is a top plan view thereof; FIG. 17 is a bottom plan view thereof; FIG. 18 is a perspective view of the desktop stand set where the desktop stand set is in a configuration of use; and, FIG. 19 is an enlarged detail view of portion 19 shown in FIG. 11.

The dash-dash broken lines in the drawings depict portions of the desktop stand set that form no part of the claimed design. The dot-dash lines in the drawings define the boundaries of the areas of the enlarged detail views and form no part of the claimed design.

**1 Claim, 19 Drawing Sheets**



(58) **Field of Classification Search**

USPC ..... D6/406.4, 406.5, 406.6, 655, 656, 675;  
D19/91, 113; D13/107, 108  
CPC ..... A47B 2023/049; A47B 2097/006; A47B  
23/04; A47B 23/043; A47B 23/044  
See application file for complete search history.

(56) **References Cited**

U.S. PATENT DOCUMENTS

D564,529	S	*	3/2008	Hughes	.....	D14/451
D723,308	S	*	3/2015	Franck	.....	D6/675
D838,276	S	*	1/2019	Lee	.....	D14/451
D908,133	S	*	1/2021	Huang	.....	D14/447
D910,645	S	*	2/2021	Lyu	.....	D14/451
D914,692	S	*	3/2021	Lyu	.....	D14/451
D935,471	S	*	11/2021	Huang	.....	D14/451
D942,462	S	*	2/2022	Xie	.....	D14/447
D945,430	S	*	3/2022	Zhang	.....	D14/447
D947,202	S	*	3/2022	Li	.....	D14/451
D956,055	S	*	6/2022	Wang	.....	D14/451
D962,243	S	*	8/2022	Xie	.....	D14/451

OTHER PUBLICATIONS

Nov. 18, 2021—Amazon.com\_ EHO Monitor Stand Riser for Desk,  
first available Nov. 18, 2021 [online], retrieved Sep. 30, 2022,  
available at URL: <https://a.co/d/hhpYLMY> (Year: 2021).\*

\* cited by examiner

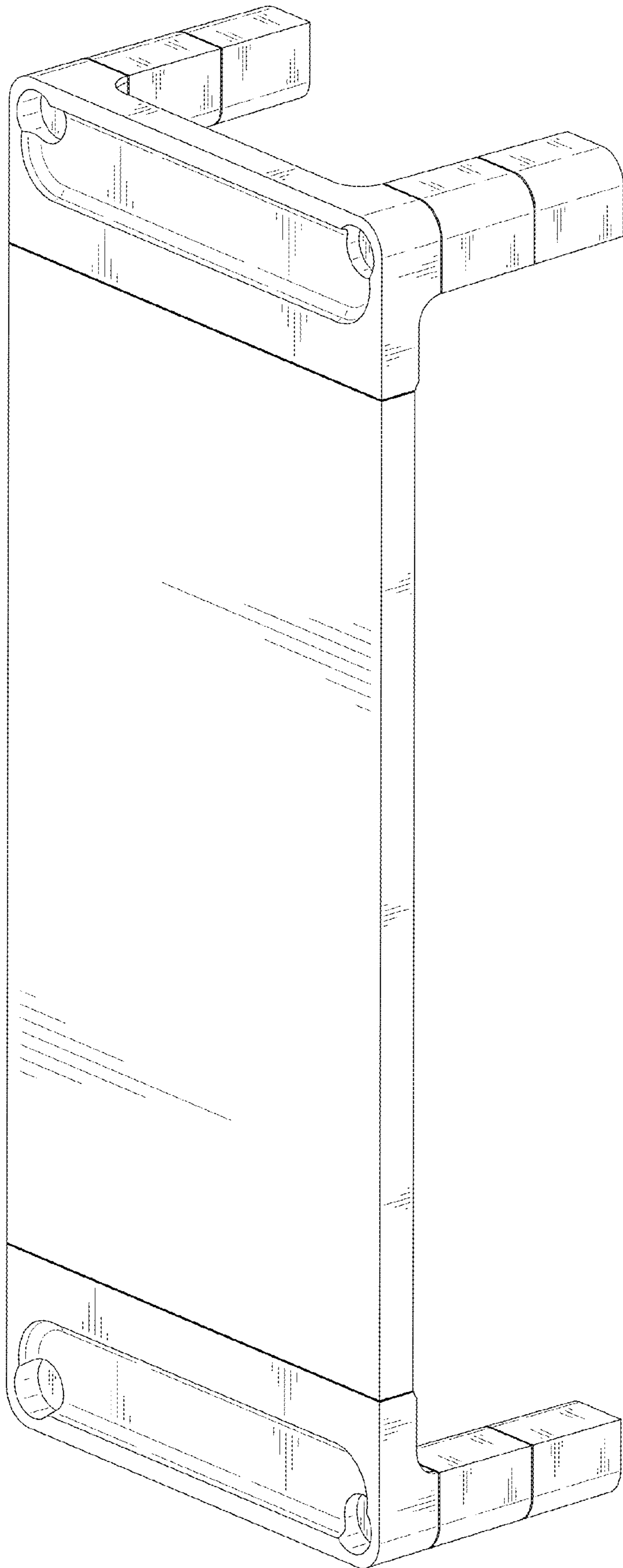


FIG. 1

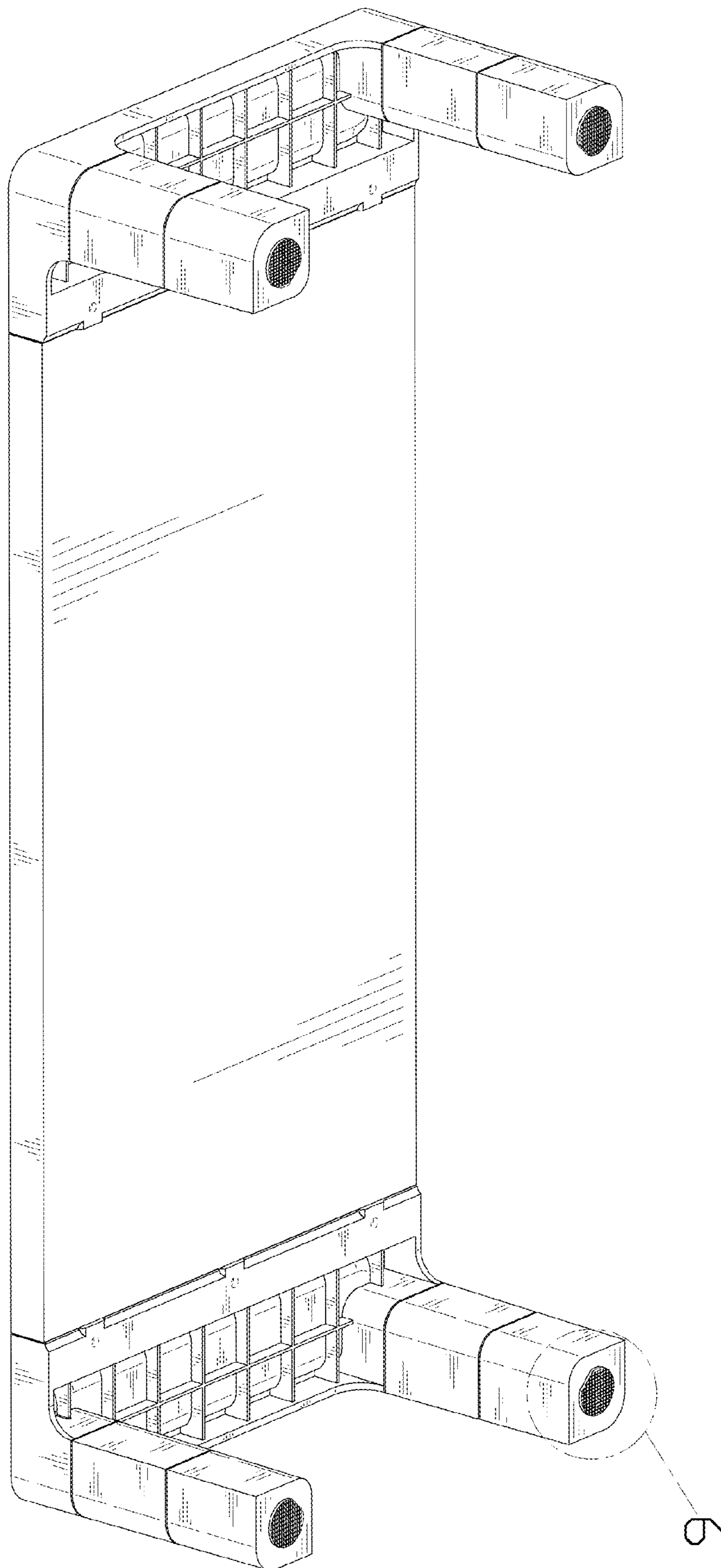


FIG. 2

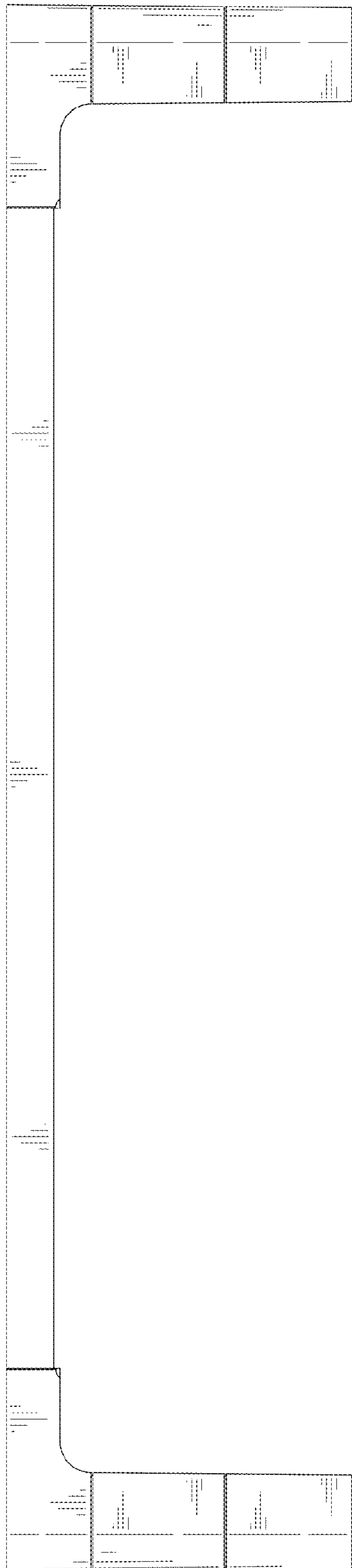


FIG. 3

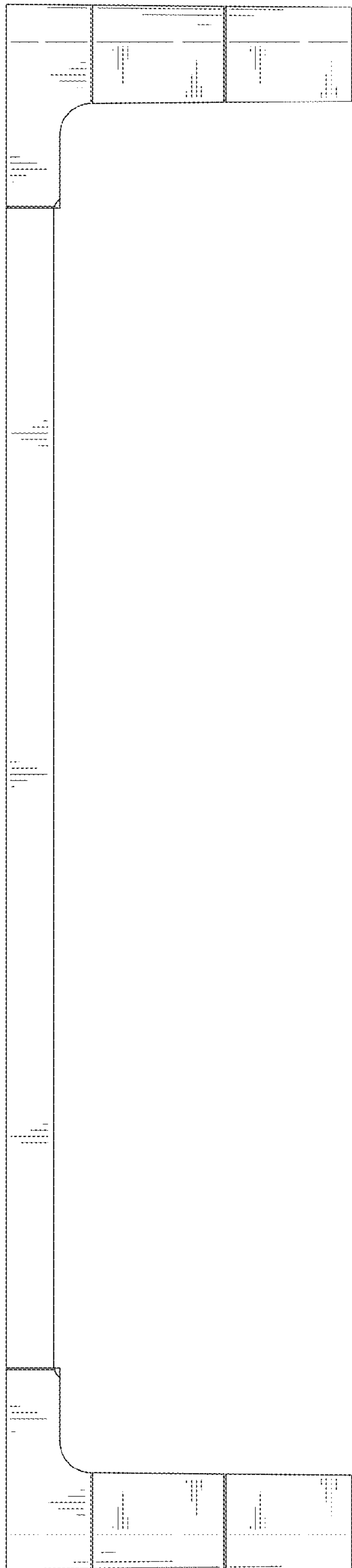


FIG. 4

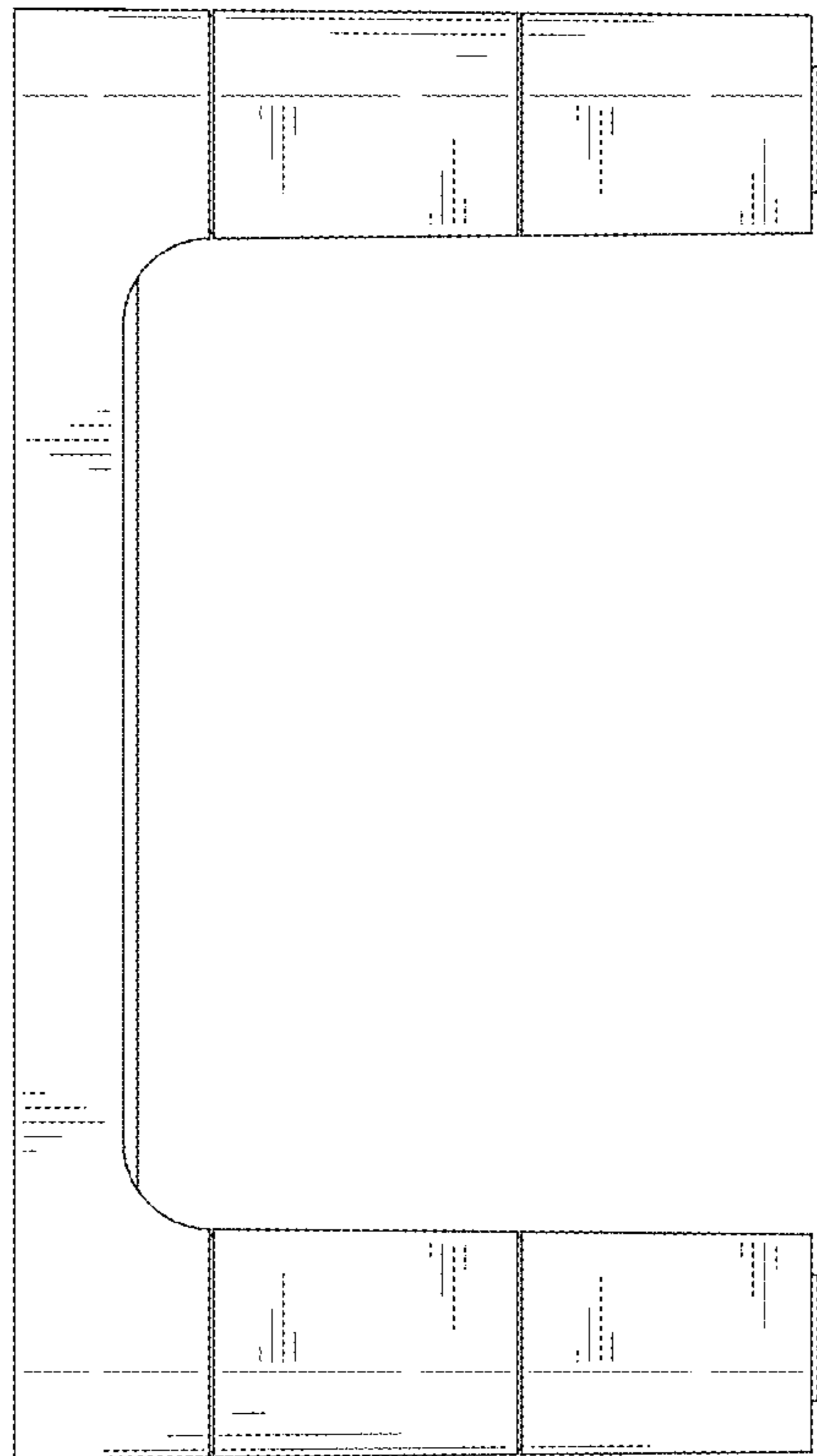


FIG. 5

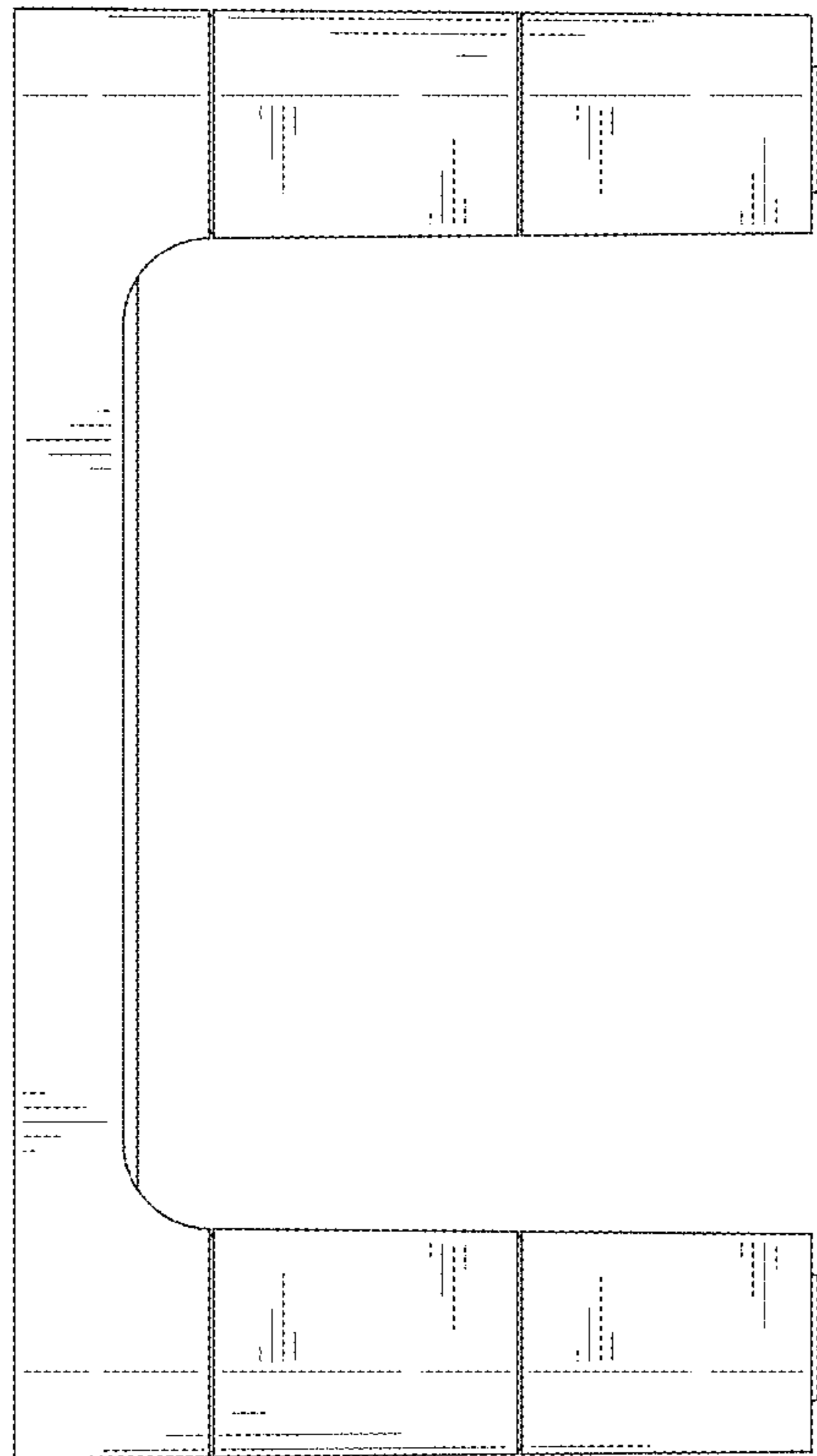


FIG. 6



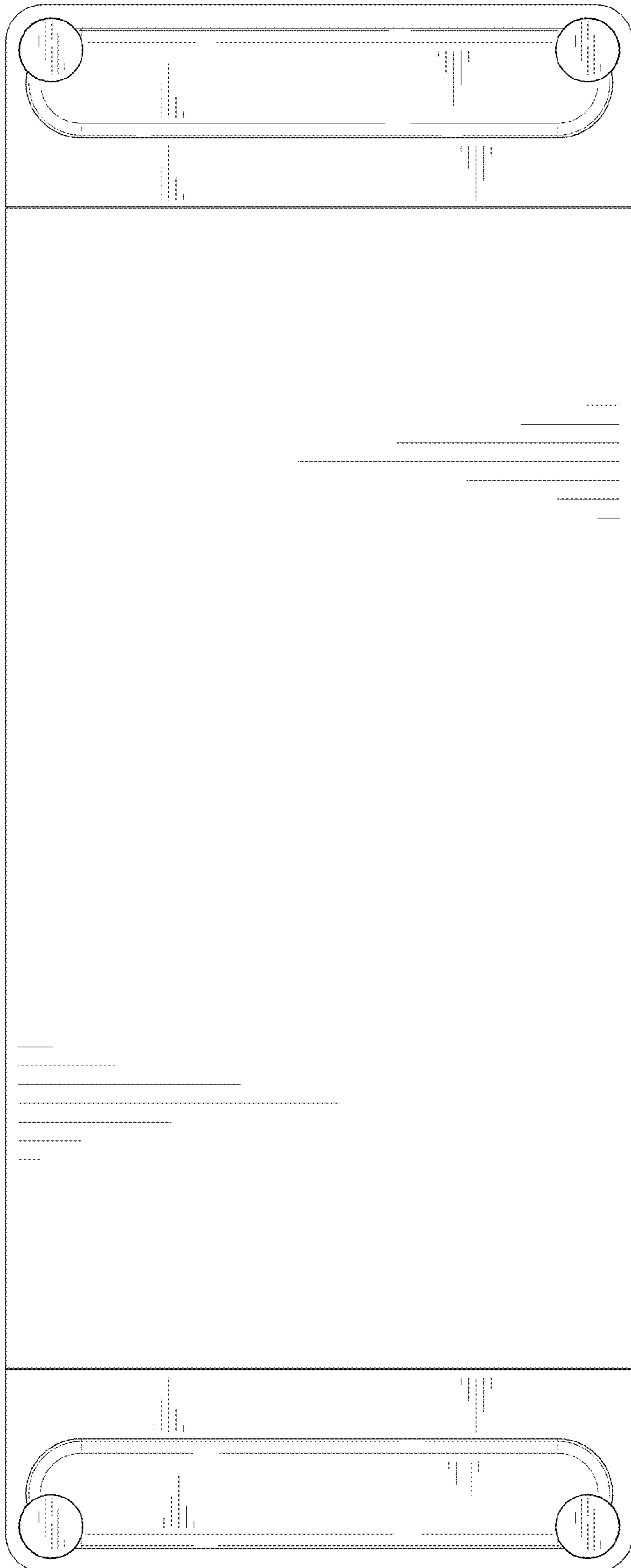


FIG. 7

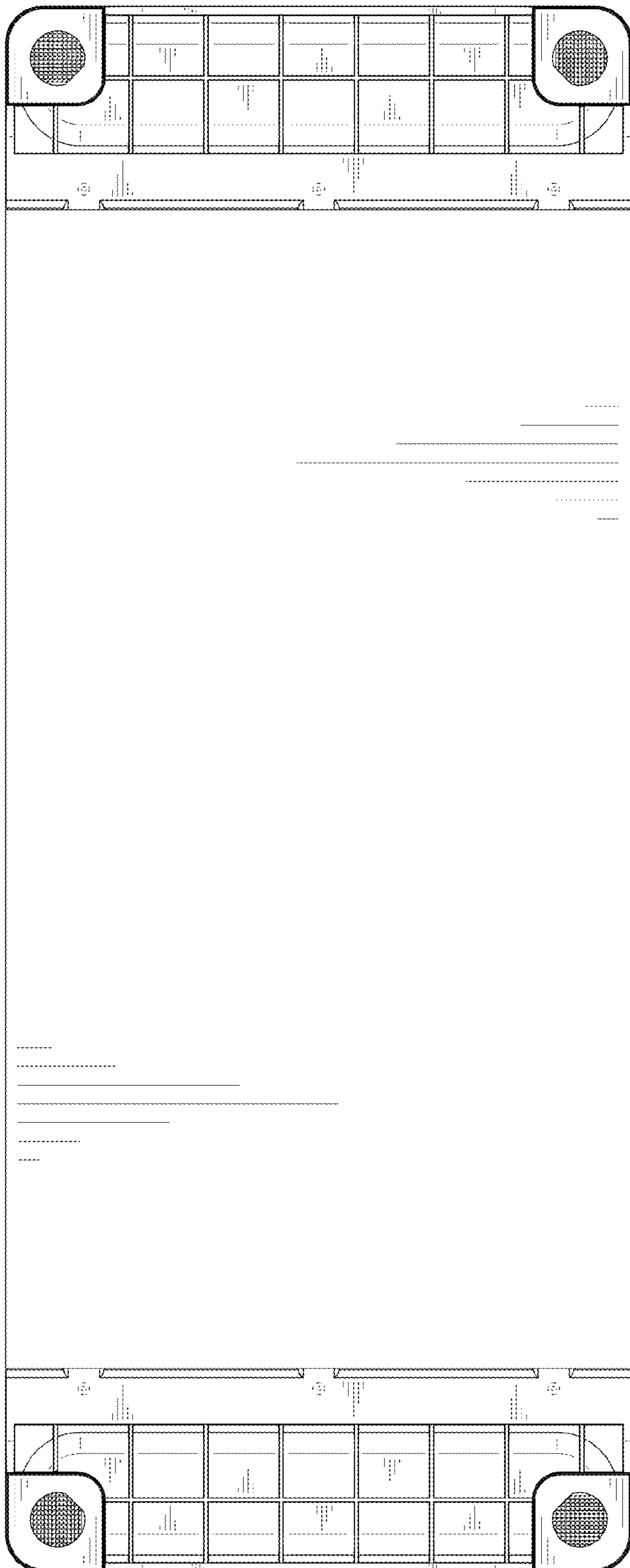


FIG. 8

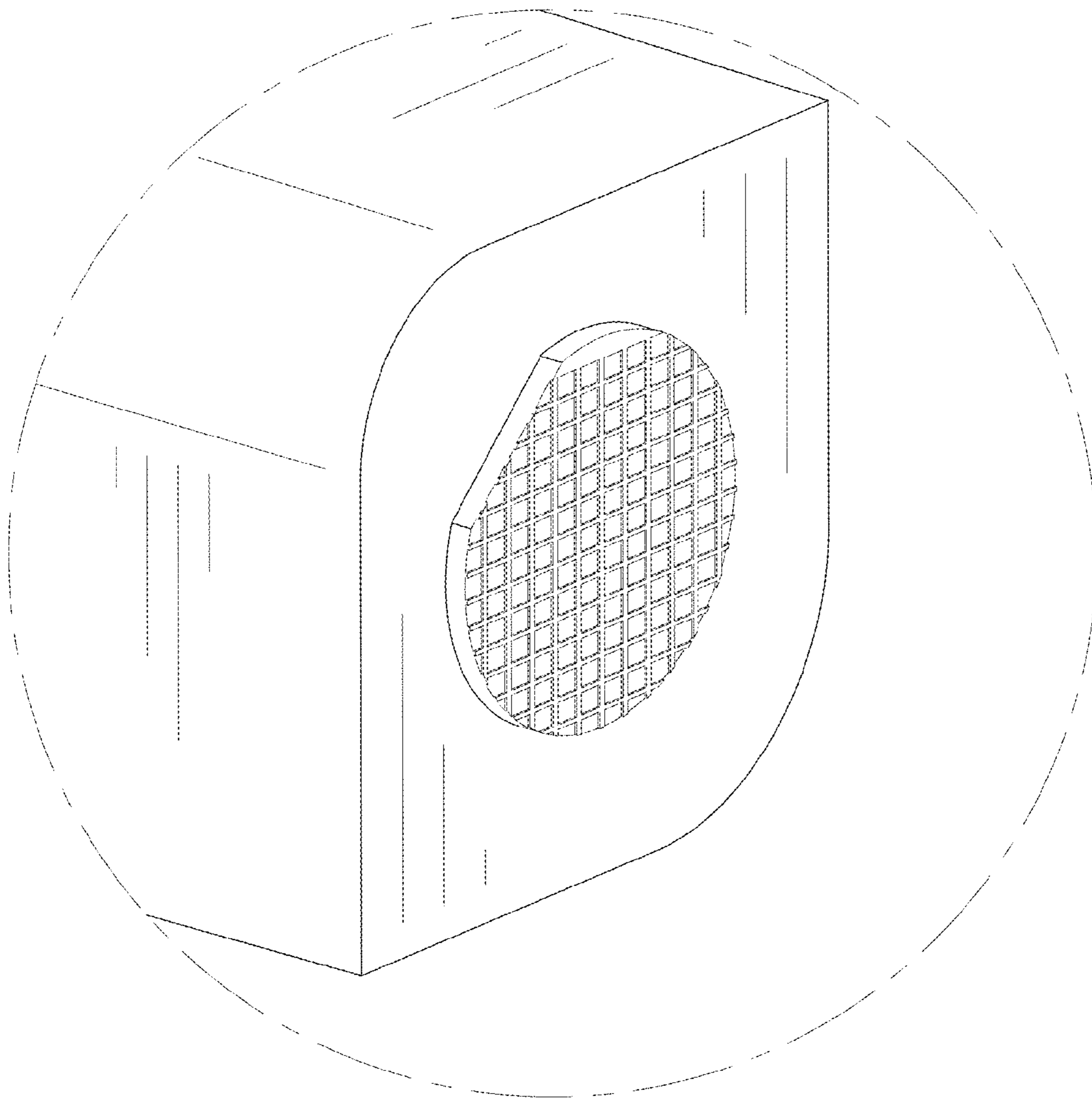


FIG. 9

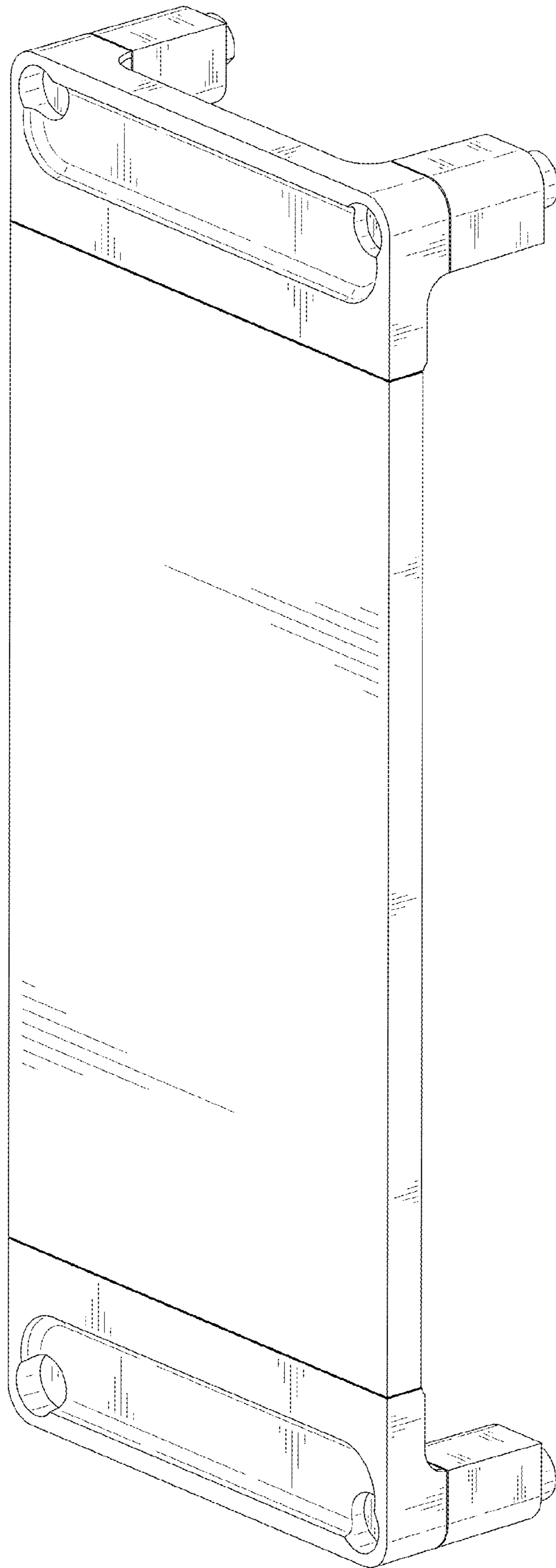


FIG. 10

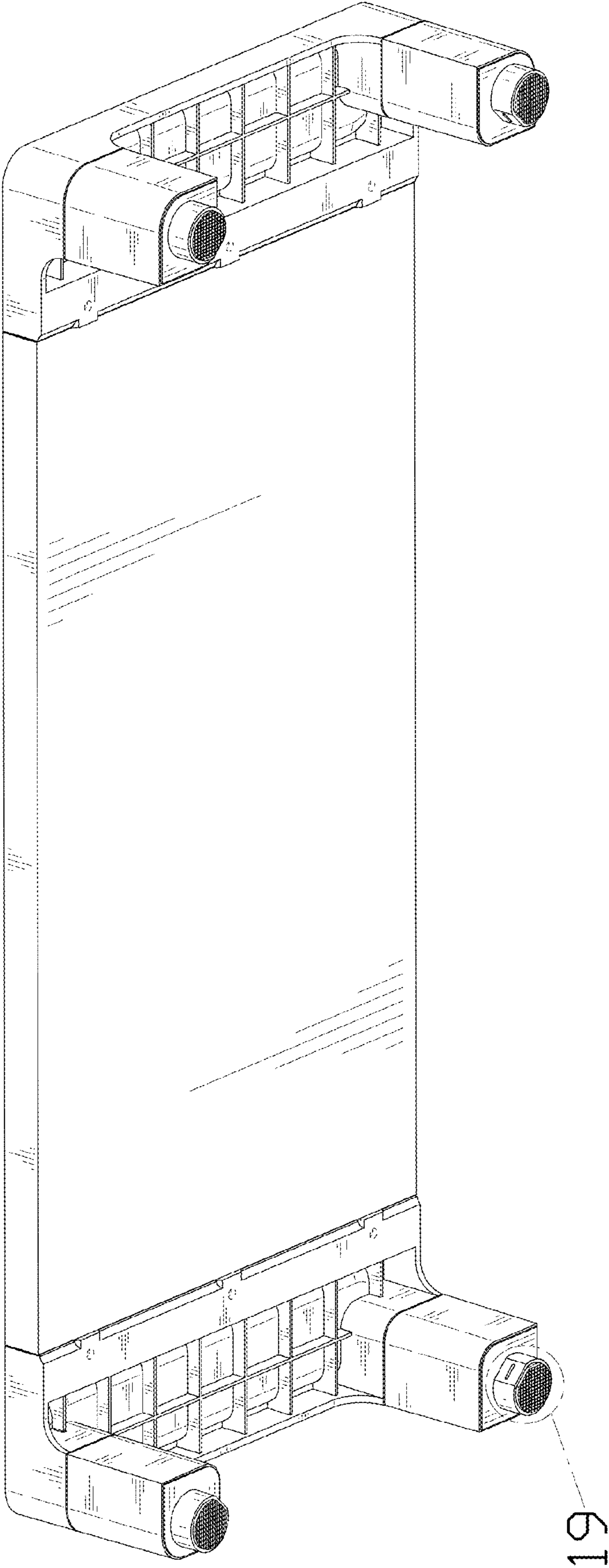


FIG. 11

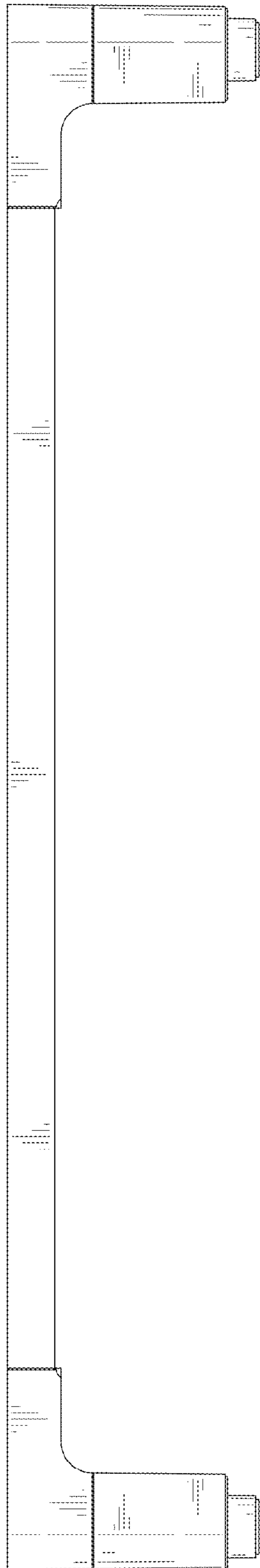


FIG. 12

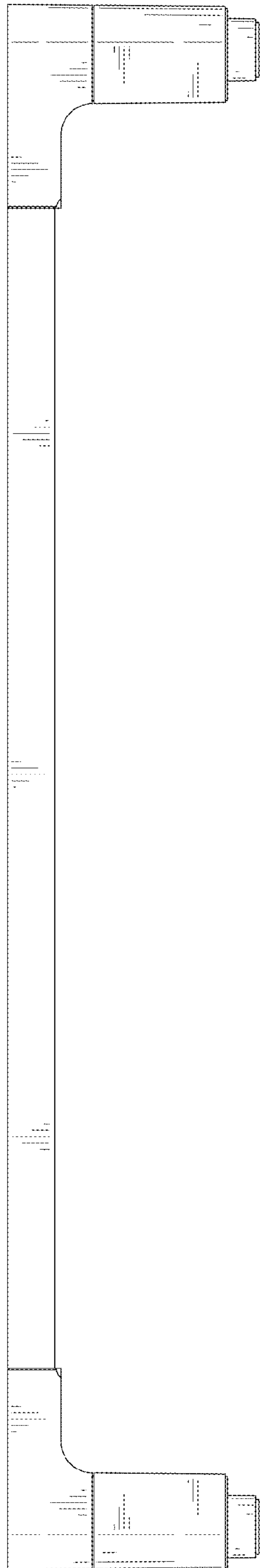


FIG. 13

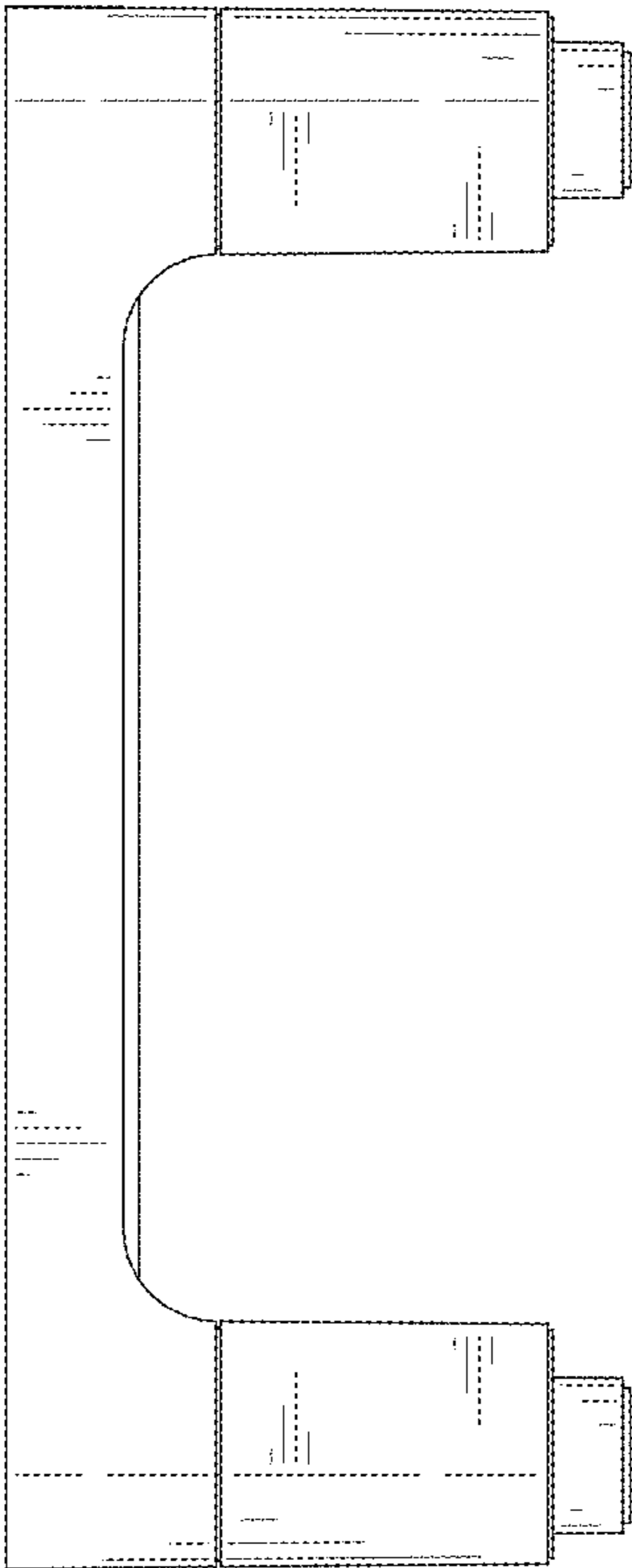


FIG. 14



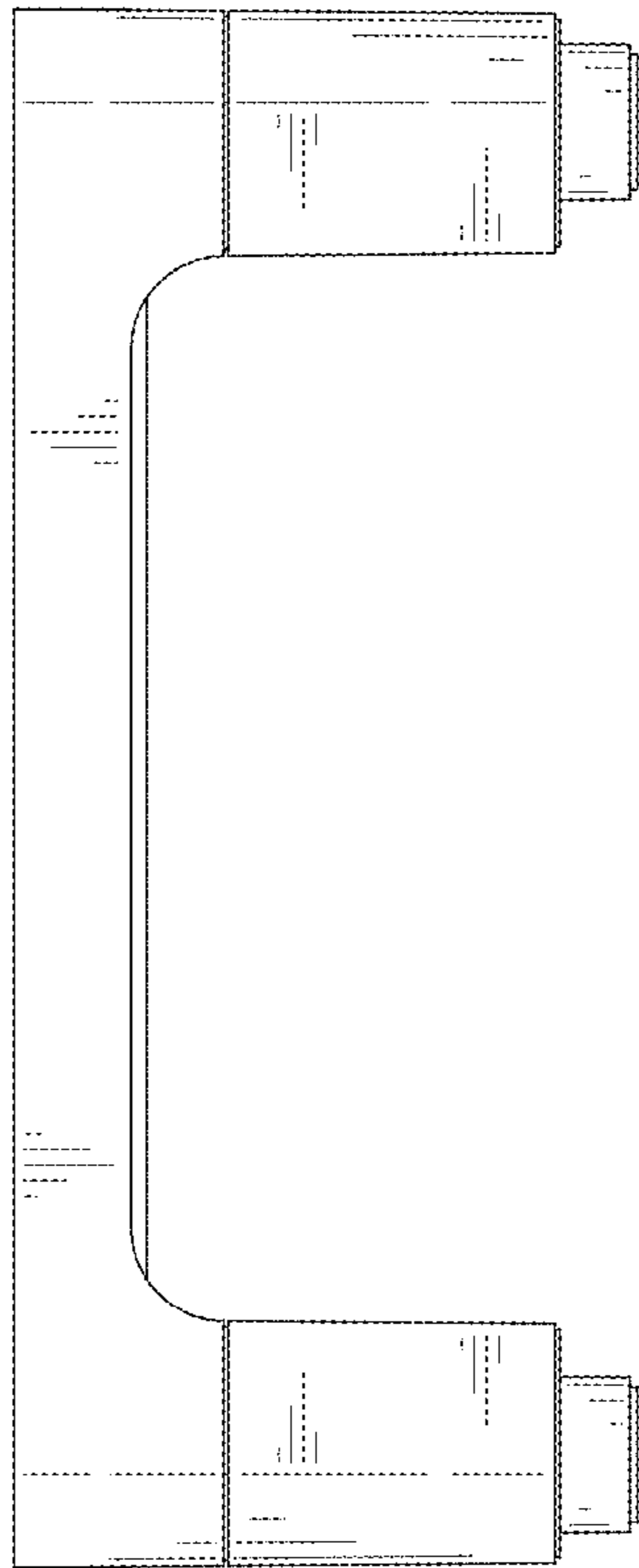


FIG. 15

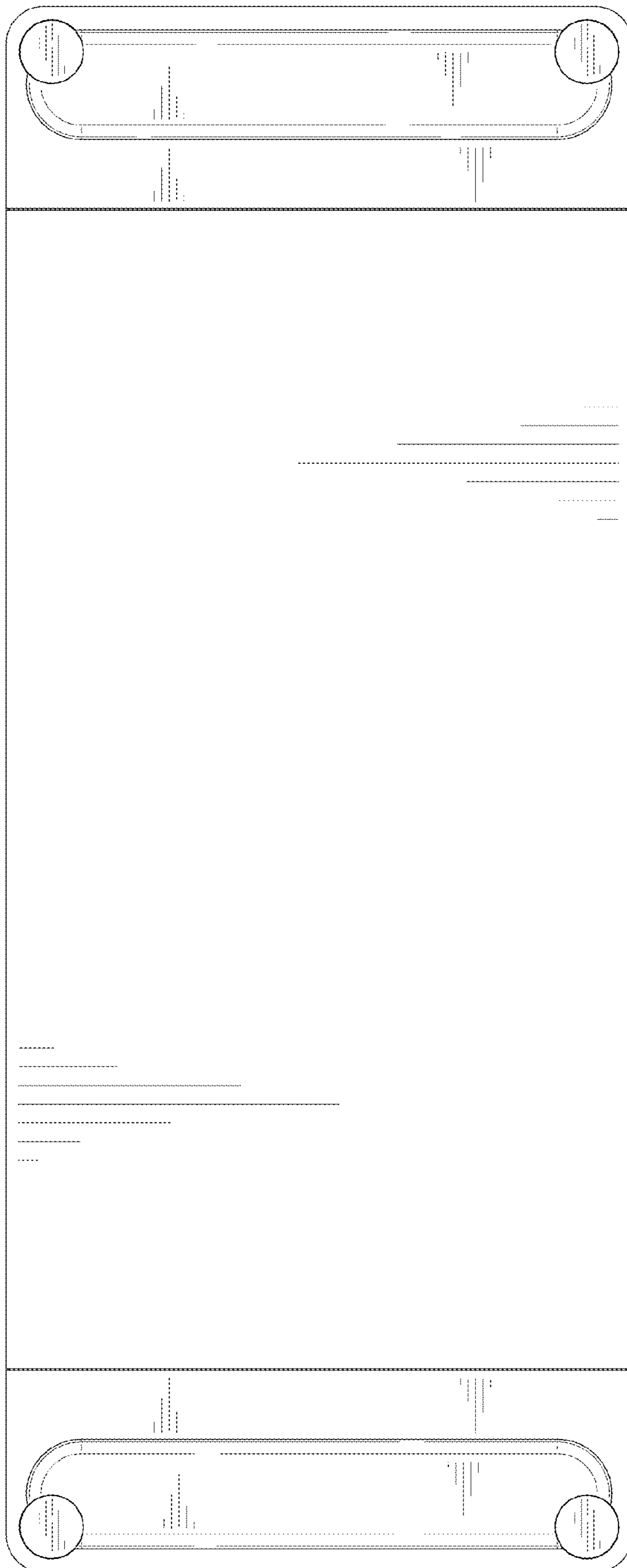


FIG. 16

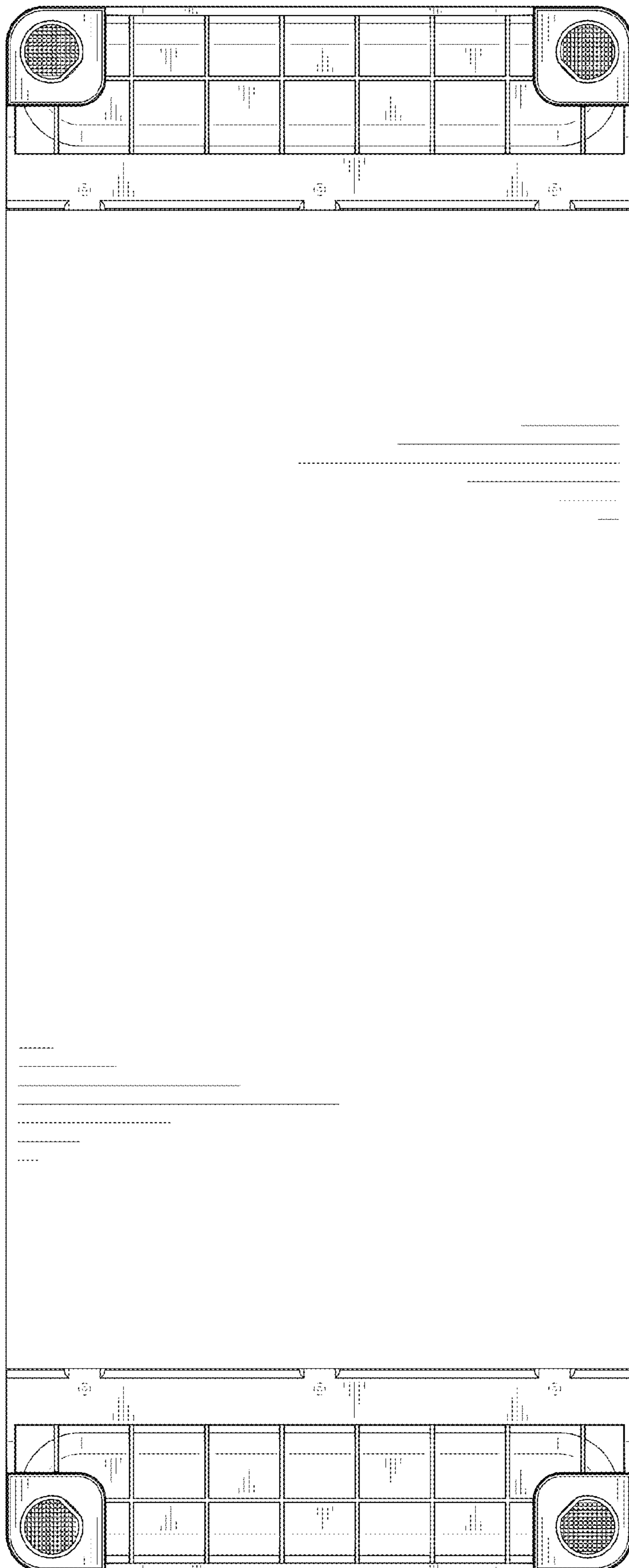


FIG. 17

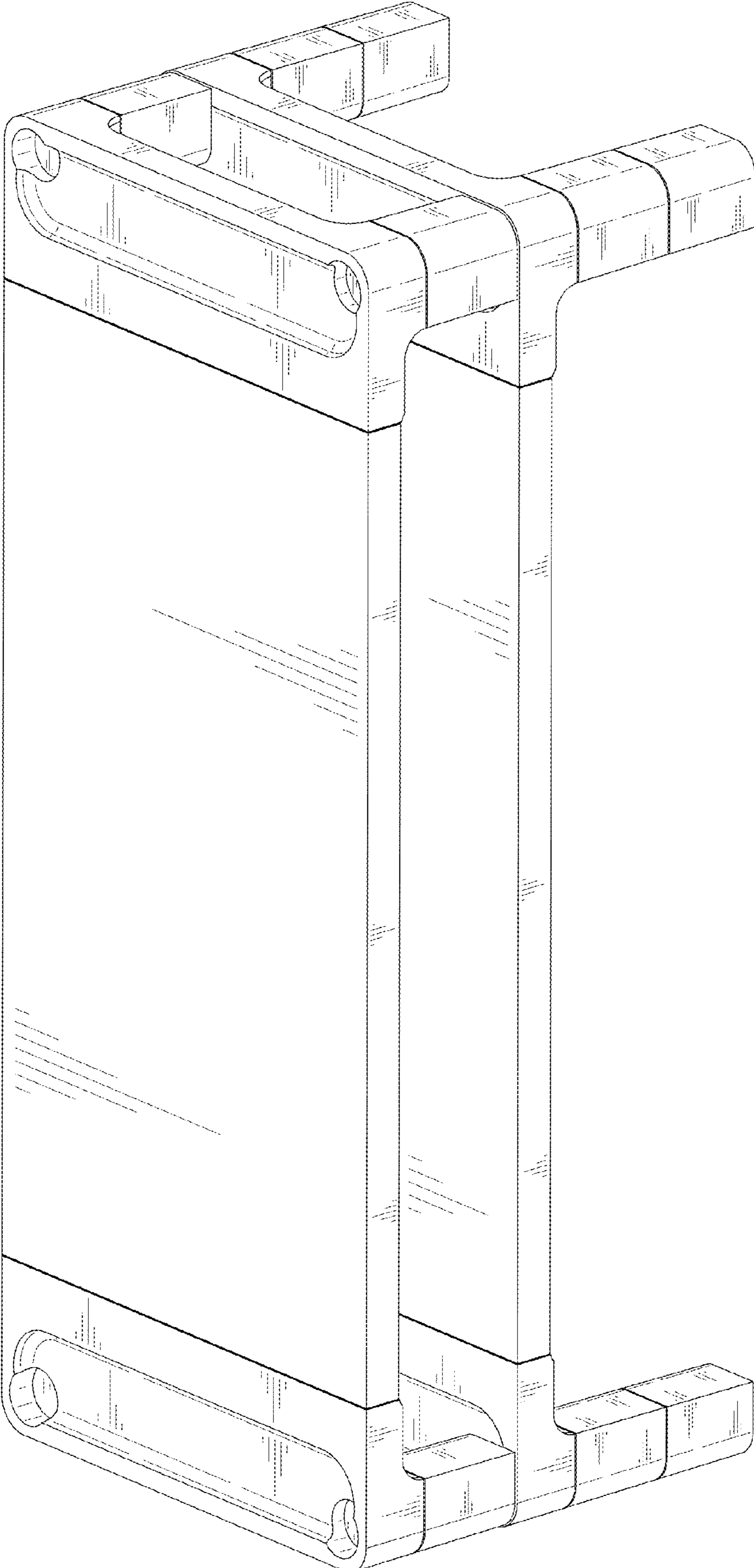


FIG. 18

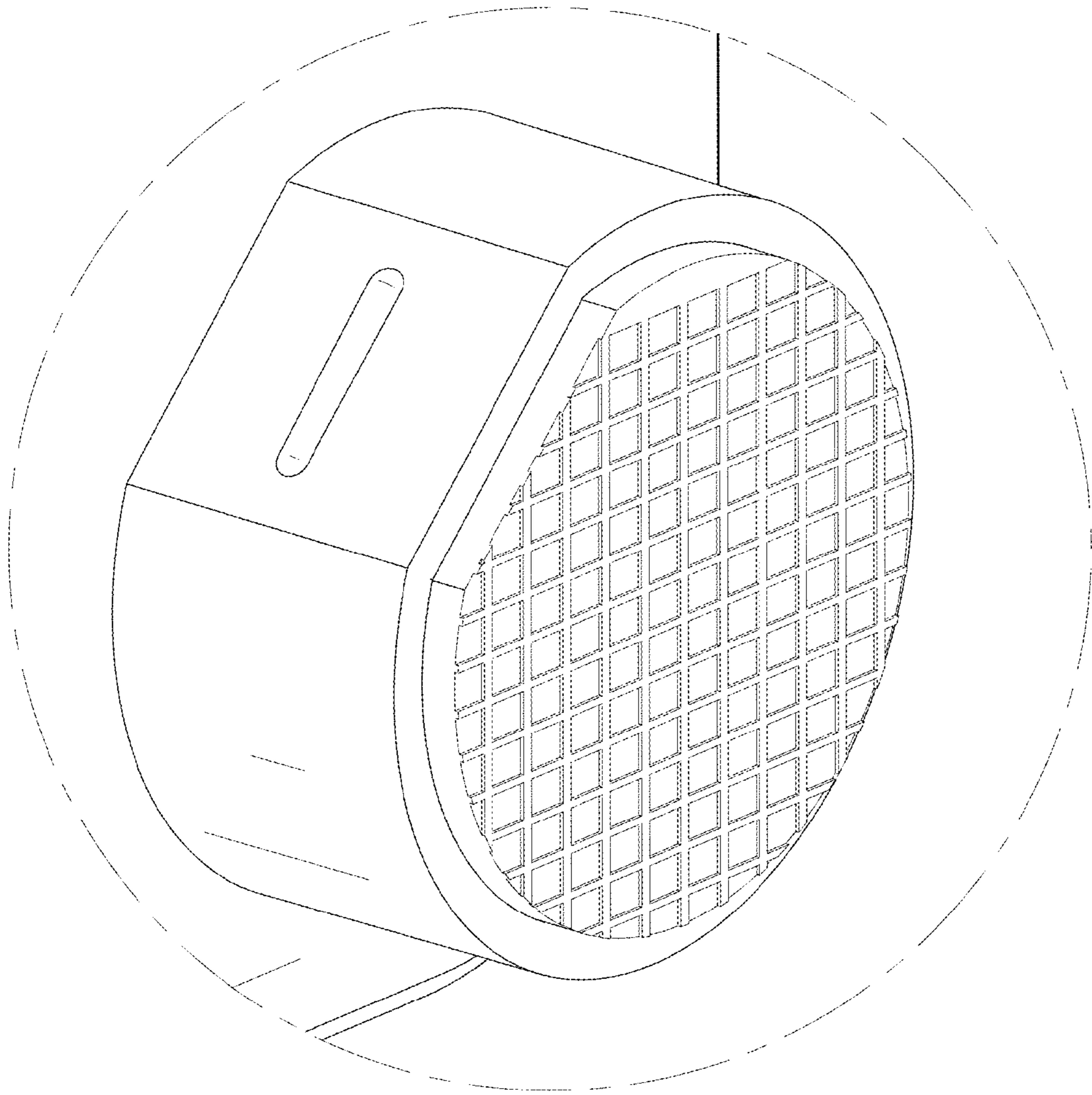


FIG. 19