



US00D982019S

(12) **United States Design Patent**
Solola et al.

(10) **Patent No.:** **US D982,019 S**

(45) **Date of Patent:** **** Mar. 28, 2023**

(54) **VERTICAL LAPTOP STAND**

(71) Applicant: **HUMANCENTRIC VENTURES LLC**, Skokie, IL (US)

(72) Inventors: **Oluwadurotimi Solola**, Chicago, IL (US); **Bryant Deakins**, Des Plaines, IL (US)

(73) Assignee: **Humancentric Ventures LLC**, Skokie, IL (US)

(**) Term: **15 Years**

(21) Appl. No.: **29/796,511**

(22) Filed: **Jun. 24, 2021**

(51) **LOC (14) Cl.** **14-02**

(52) **U.S. Cl.**
USPC **D14/447**

(58) **Field of Classification Search**
USPC ... D14/209.1, 217, 224, 253, 434, 447, 453;
D13/108; D19/75; D6/682
CPC .. F16M 13/00; A47B 2023/049; A47B 23/04;
A47B 2220/0091
See application file for complete search history.

(56) **References Cited**

U.S. PATENT DOCUMENTS

D571,788 S * 6/2008 King, Jr. D14/217
D622,274 S * 8/2010 Green D14/447
D626,559 S * 11/2010 Green D14/447

D831,664 S * 10/2018 Chen D14/447
10,265,993 B1 * 4/2019 Rusinque F16M 11/041
D917,495 S * 4/2021 Hatfield D14/447
D936,067 S * 11/2021 Kanter D14/447
D960,168 S * 8/2022 Yang D14/447

OTHER PUBLICATIONS

Amazon.com_HumanCentric Vertical Laptop Stand for MacBook, first available Sep. 25, 2021 [online], retrieved Jan. 27, 2023, available at URL: <https://a.co/d/e9ShgrZ> (Year: 2021).*
Amazon.com_Twelve South BookArc for MacBook, first available Apr. 14, 2020 [online], retrieved Jan. 27, 2023, available at URL: <https://a.co/d/bbWtQ1q> (Year: 2020).*

* cited by examiner

Primary Examiner — Wendy L Arminio
Assistant Examiner — Carrie S Gelula

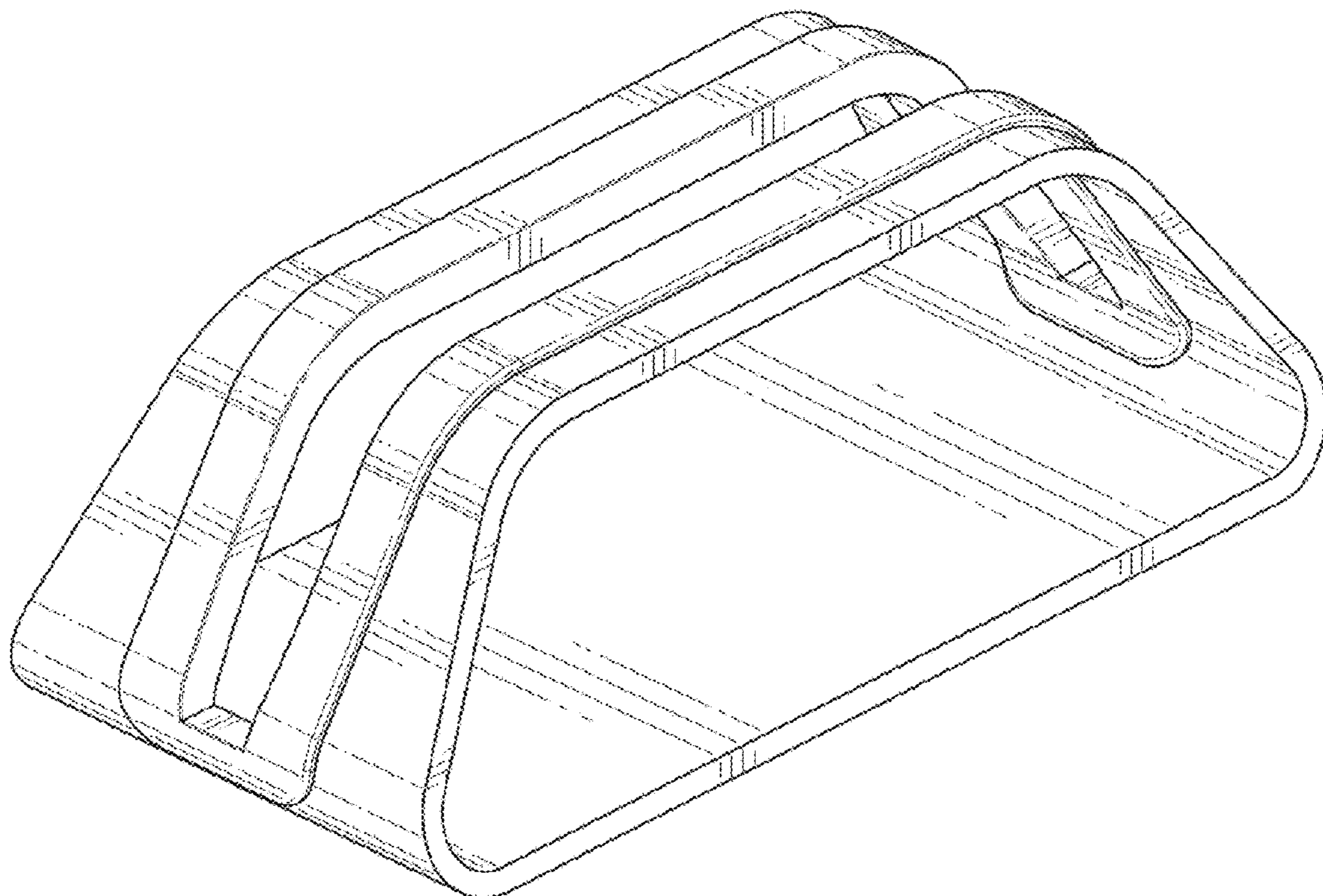
(57) **CLAIM**

The ornamental design for a vertical laptop stand, as shown and described.

DESCRIPTION

FIG. 1 is a front perspective view of a vertical laptop stand; FIG. 2 is a front view thereof; FIG. 3 is a rear view thereof; FIG. 4 is a left side view thereof; FIG. 5 is a right side view thereof; FIG. 6 is a top side view thereof; and, FIG. 7 is a bottom side view thereof.

1 Claim, 5 Drawing Sheets



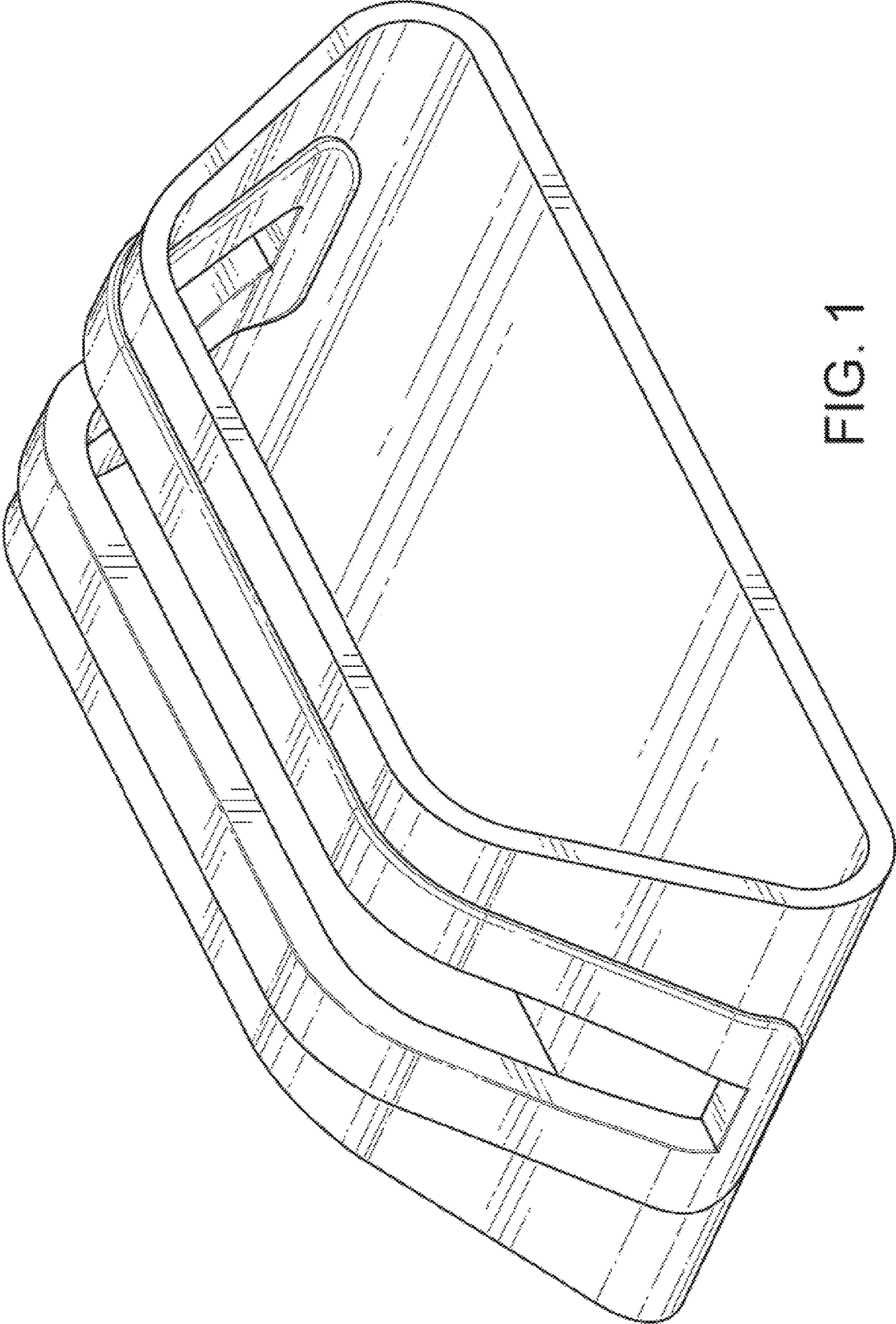


FIG. 1

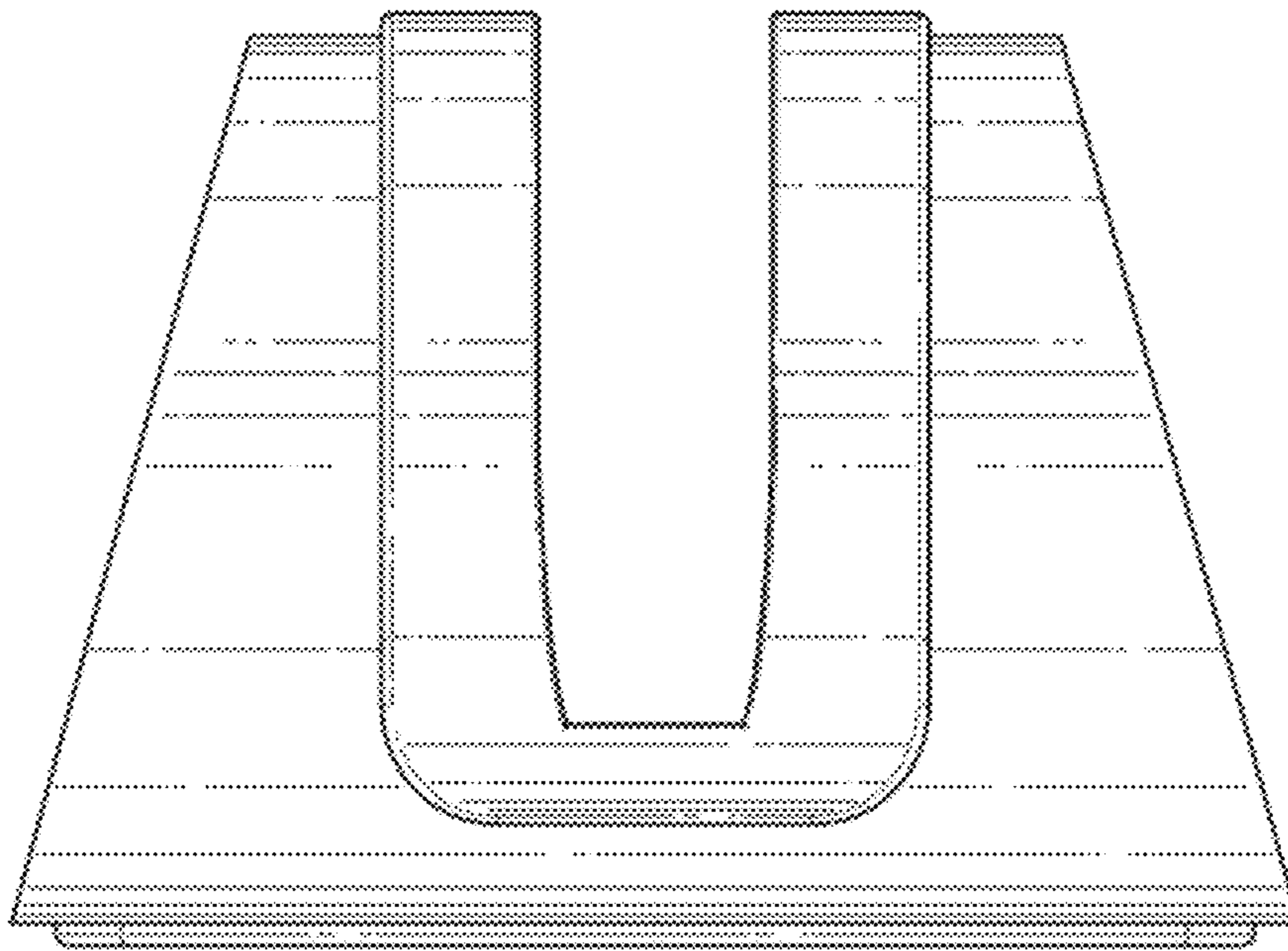


FIG. 2

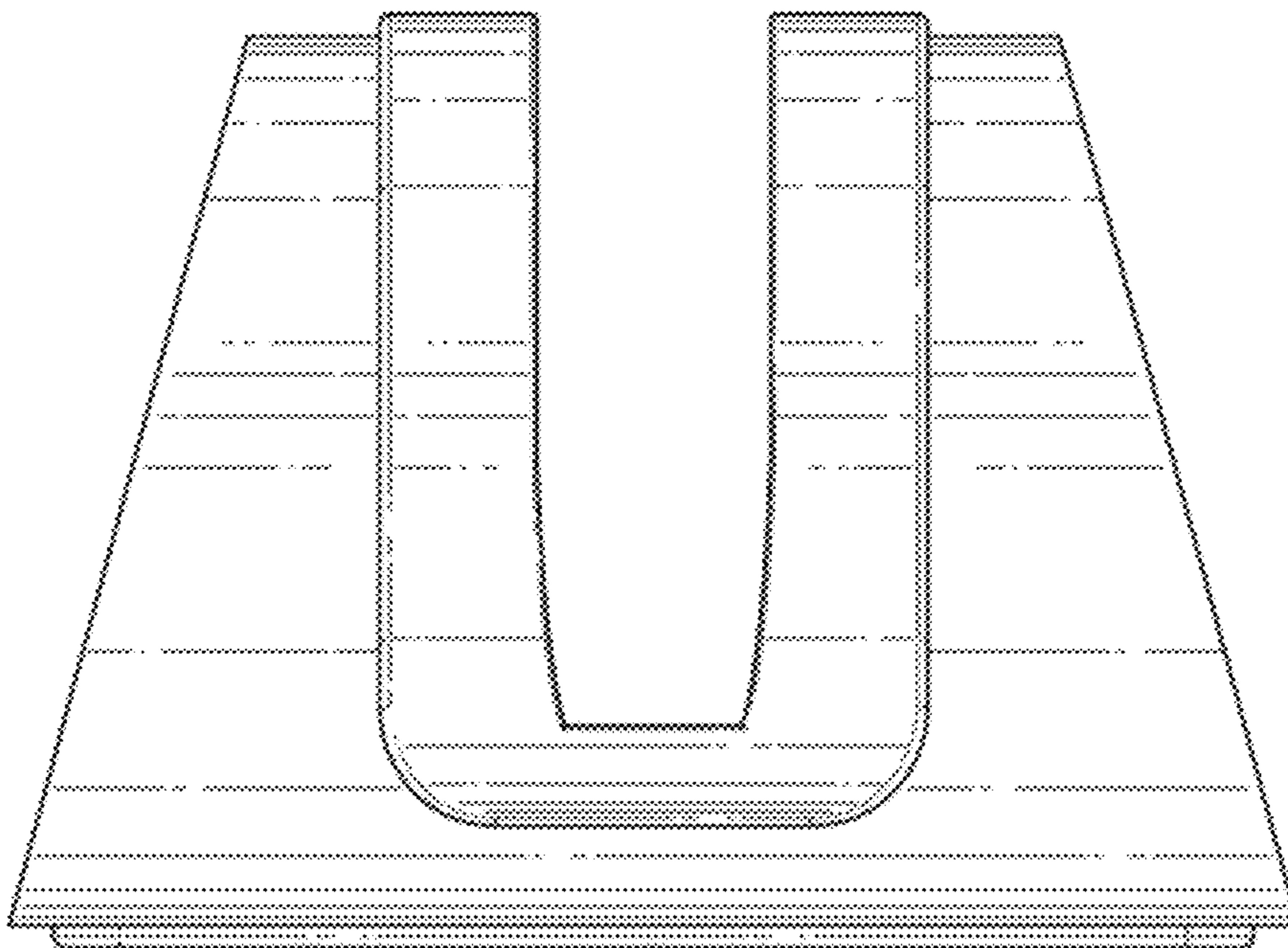


FIG. 3

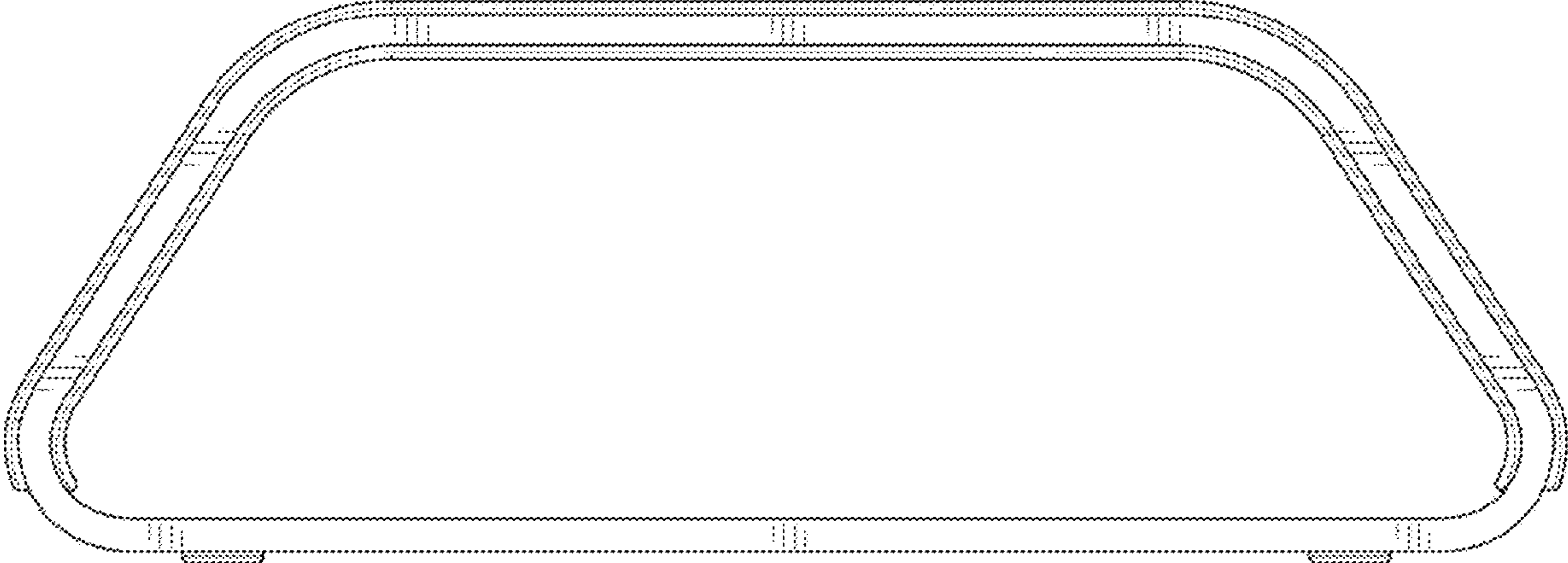


FIG. 4

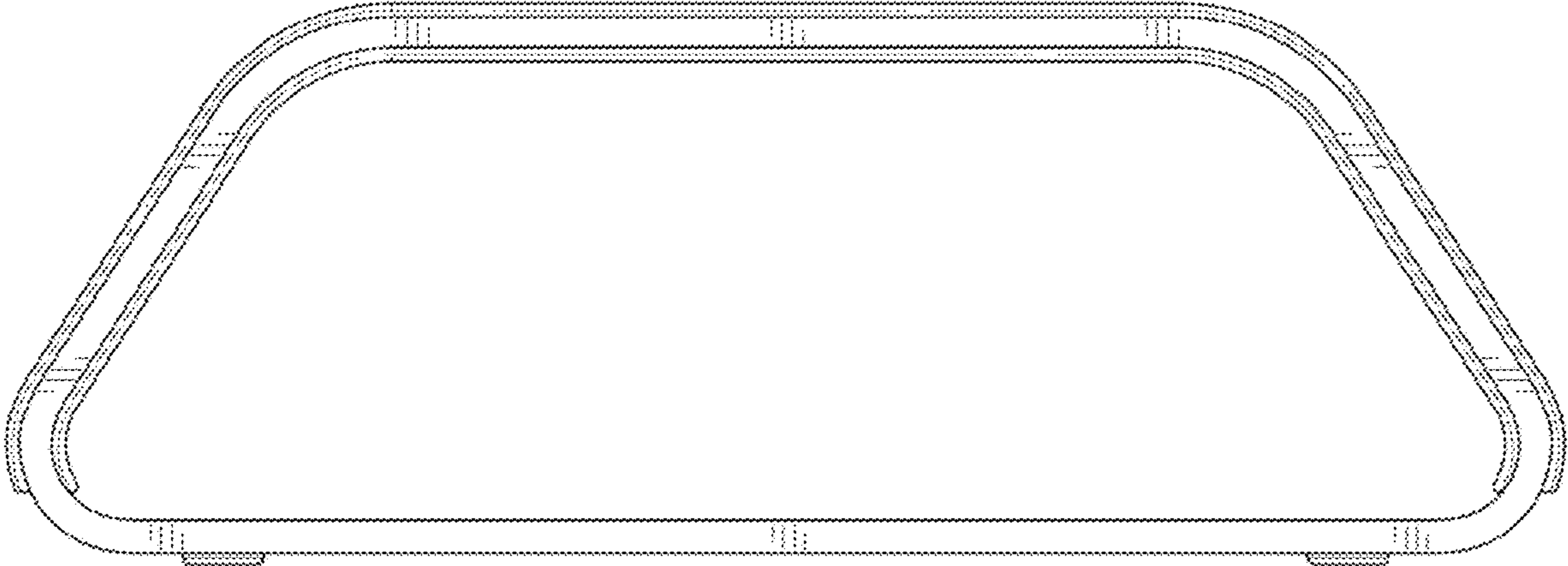


FIG. 5

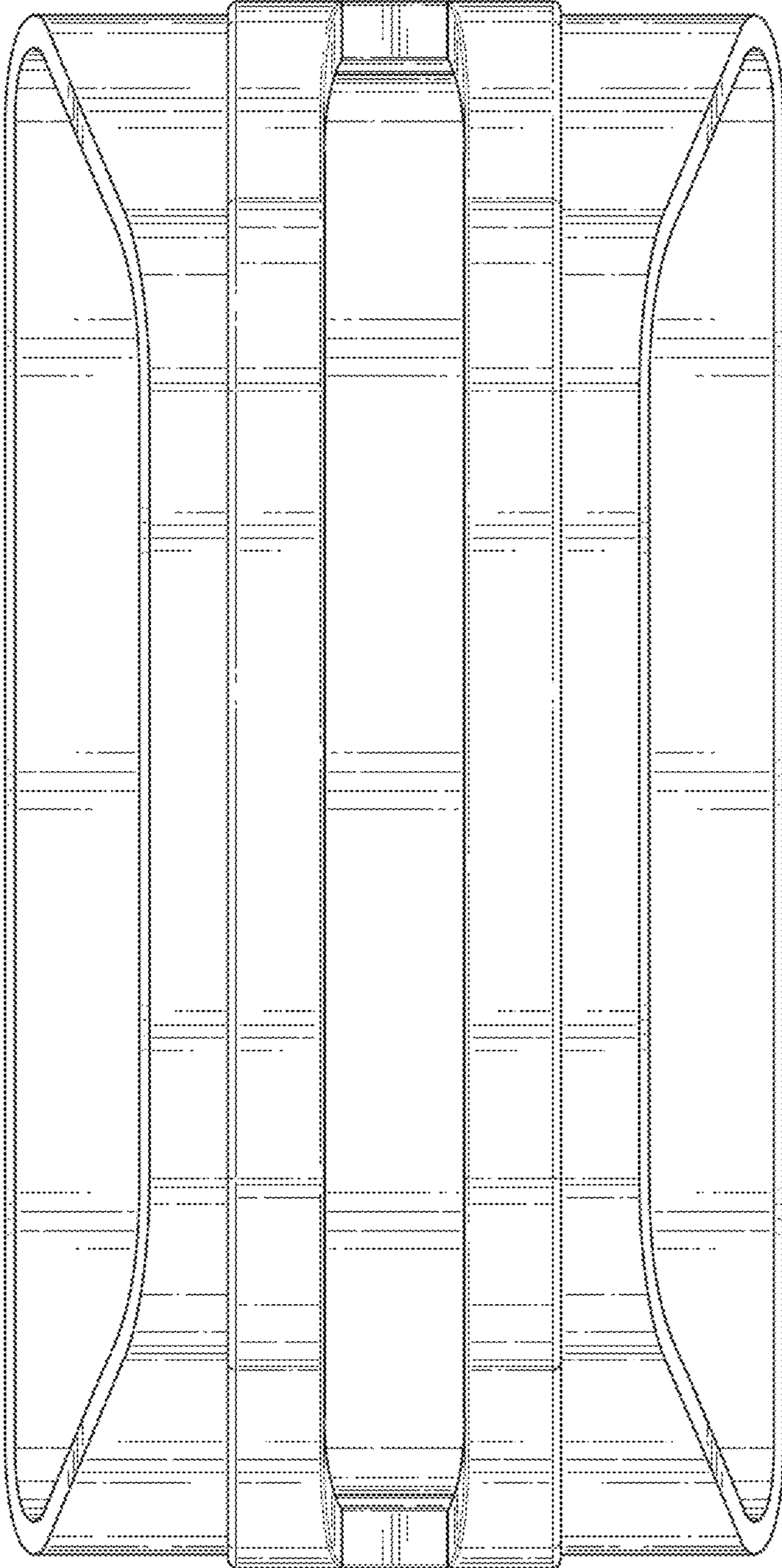


FIG. 6

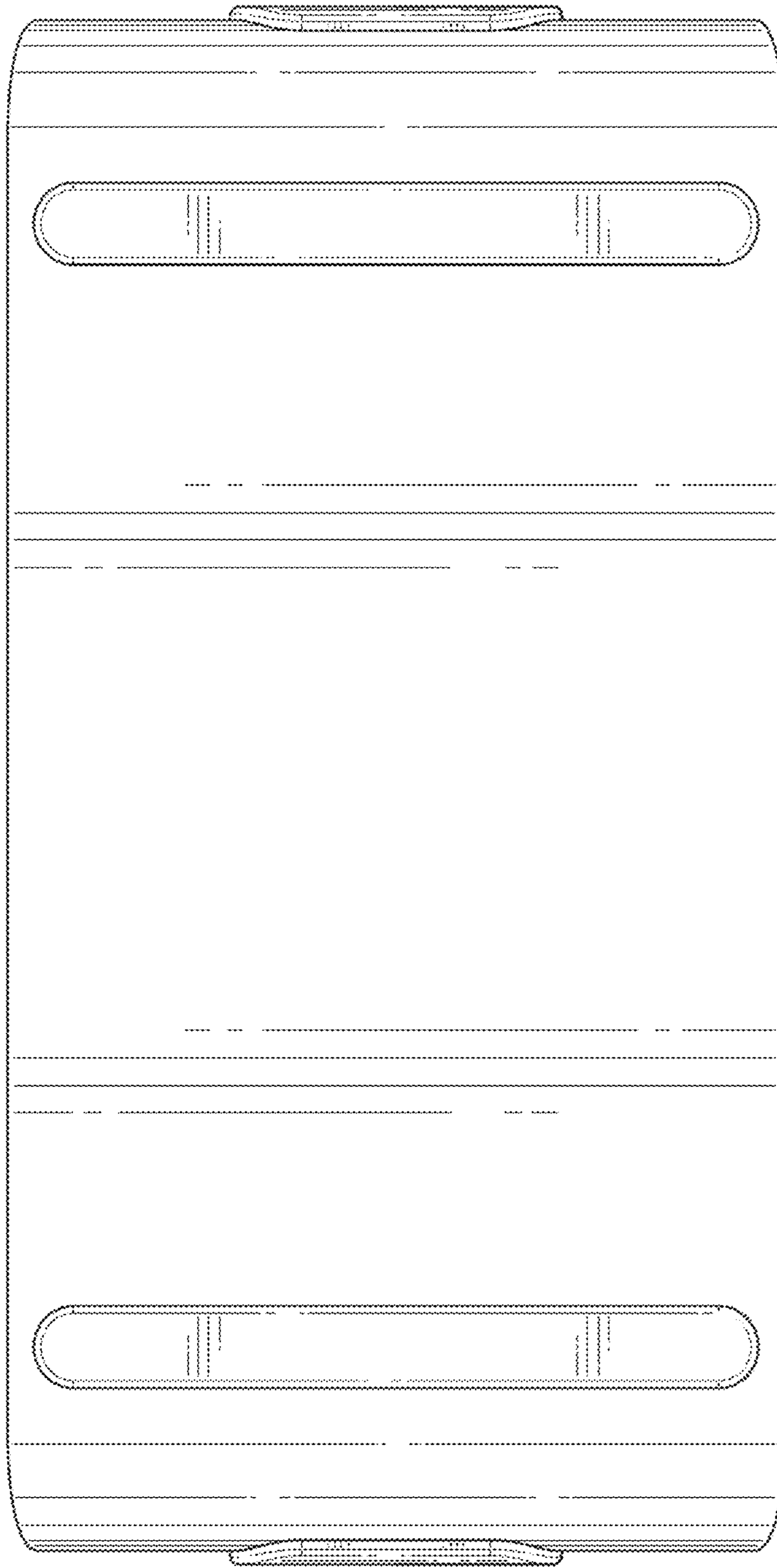


FIG. 7