



US00D982018S

(12) **United States Design Patent** (10) **Patent No.:** **US D982,018 S**
Iverson (45) **Date of Patent:** **** Mar. 28, 2023**

(54) **STAND FOR LARGE HANDHELD ELECTRONIC DEVICE**
(71) Applicant: **MACNEIL IP LLC**, Bolingbrook, IL (US)
(72) Inventor: **David S. Iverson**, Oak Brook, IL (US)
(73) Assignee: **MACNEIL IP LLC**, Bolingbrook, IL (US)

D669,481 S * 10/2012 Prescott D14/447
D674,805 S * 1/2013 Vincent D14/447
D705,211 S 5/2014 Huang
D709,066 S 7/2014 Byun
D718,298 S 11/2014 Aspinall et al.
9,162,630 B2 10/2015 Pluta
D750,087 S * 2/2016 Wu D14/447
9,821,723 B2 11/2017 Mannarino
D807,701 S 1/2018 Bo
D832,248 S 10/2018 Sukphist et al.
(Continued)

(**) Term: **15 Years**

OTHER PUBLICATIONS

(21) Appl. No.: **29/768,976**

Amazon.com_ WeatherTech TabletHolder, first available Feb. 12, 2021 [online], retrieved Dec. 27, 2022, available at URL: https://a.co/d/gO1v2f2 (Year: 2021).*

(22) Filed: **Feb. 2, 2021**

(51) **LOC (14) Cl.** **14-02**

(52) **U.S. Cl.**
USPC **D14/447**

(58) **Field of Classification Search**
USPC D14/251, 252, 253, 434, 440, 447, 451, D14/457; D6/406.3, 406.4, 406.5, 406.6, D6/700, 701; D19/91, 113; D13/108, D13/179
CPC A47B 2023/049; A47B 23/043; A47B 23/042; A47B 2021/0364; F16M 13/022; H04M 1/04

See application file for complete search history.

(Continued)

Primary Examiner — Wendy L Arminio
Assistant Examiner — Carrie S Gelula
(74) *Attorney, Agent, or Firm* — Perkins IP Law Group LLC; Jefferson Perkins

(56) **References Cited**

U.S. PATENT DOCUMENTS

D309,307 S 7/1990 Sigurdson
6,062,518 A 5/2000 Etue
D475,044 S 5/2003 Kohli et al.
7,140,586 B2 11/2006 Seil et al.
D534,789 S * 1/2007 Worrall D8/363
D536,603 S * 2/2007 Worrall D8/363
D565,938 S * 4/2008 Massoumi D8/363
D592,188 S * 5/2009 Huang D14/447
D640,707 S * 6/2011 Yeh D14/447
D654,119 S 7/2012 Lin

(57) **CLAIM**

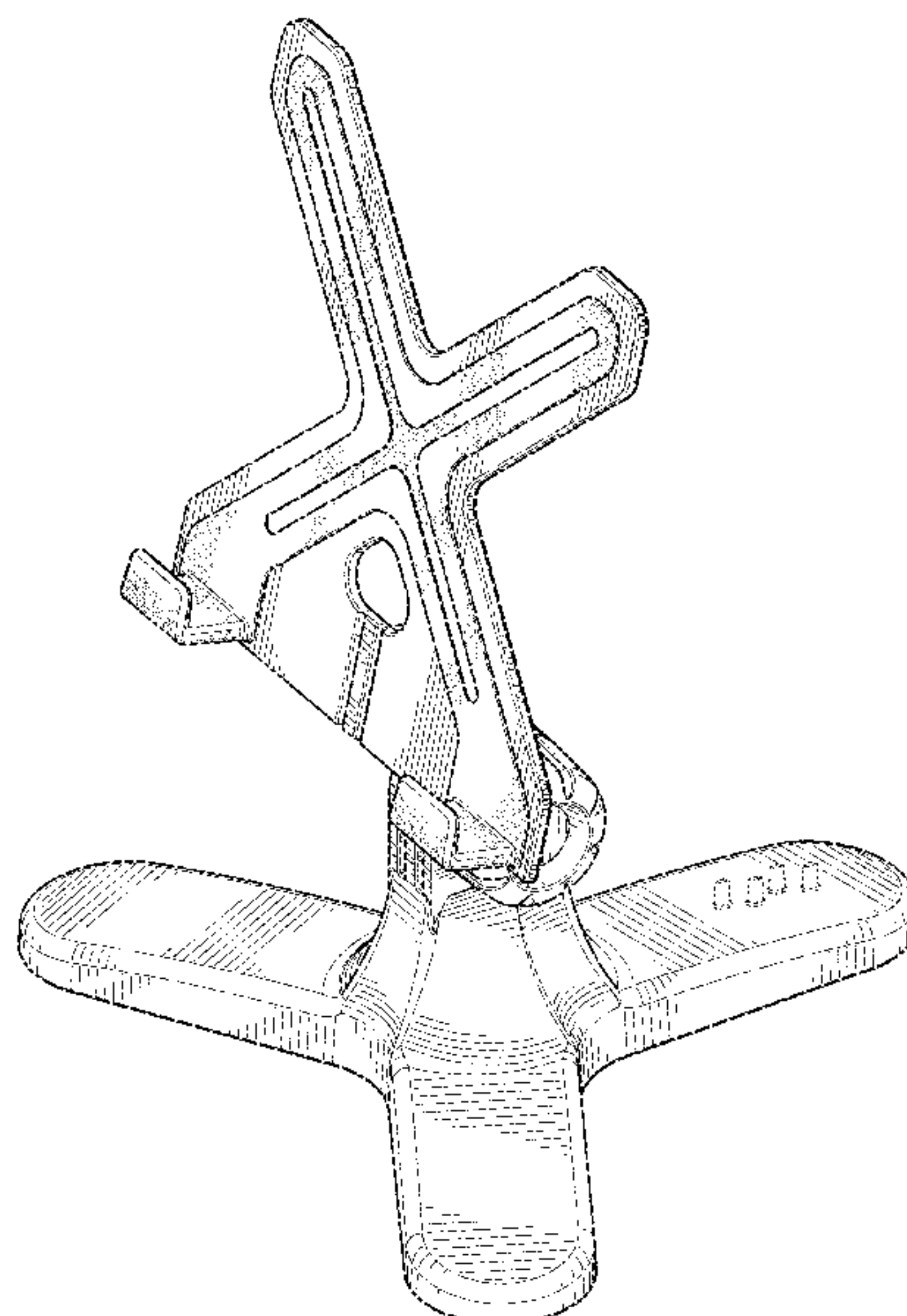
I claim the ornamental design for a stand for large handheld electronic device, as shown and described.

DESCRIPTION

FIG. 1 is a top right front perspective view of our design; FIG. 2 is a front view thereof; FIG. 3 is a right view thereof; FIG. 4 is a left view thereof; FIG. 5 is a rear view thereof; FIG. 6 is a top view thereof; and, FIG. 7 is a bottom view thereof.

The bottom of the stand is unadorned and forms no portion of the claimed design. The broken lines shown illustrate environment that forms no part of the claimed design.

1 Claim, 7 Drawing Sheets



(56)

References Cited

U.S. PATENT DOCUMENTS

D833,369	S	11/2018	Lan	
10,155,482	B2	12/2018	Corso	
D848,443	S	5/2019	Yao et al.	
10,946,810	B2 *	3/2021	MacNeil	F16M 11/10
D927,502	S *	8/2021	Akana	D14/452
D948,495	S *	4/2022	MacNeil	D14/253
D962,242	S *	8/2022	Chen	D14/447
D965,601	S *	10/2022	Chen	D14/447

OTHER PUBLICATIONS

Amazon.com_ Thought Out Stable PRO Adjustable Steel Stand, first available Aug. 12, 2011 [online], retrieved Dec. 27, 2022, available at URL: <https://a.co/d/ceG1fzc> (Year: 2011).*

Macally Cell Phone Cup Holder for Car Mount, Amazon.com, Date First Available: Jun. 29, 2017, [online], [site visited Oct. 24, 2019]. <URL: <https://www.amazon.com/Macally-Samsung-Motorola-Smartphones-MCUP/dp/B002JTWRN8>> (Year:2017).

Cellet PH600 Car Cup Holder Mount, Amazon.com, [online], [site visited Oct. 24, 2019]. <URL: https://www.amazon.com/dp/B006BIQBMQ/ref=psdc_2230642011_t4_B002JTWRN8>(Year:2019).

10 Cup Holder Phone Mount Reviews for 2019, HotRate.com, By Joey Randall, Last Updated Jan. 25, 2019, [online], [site visited Oct. 24, 2019]. <URL: <https://www.hotrate.com/electronics/cup-holder-phone-mount/>> (Year: 2019).

* cited by examiner

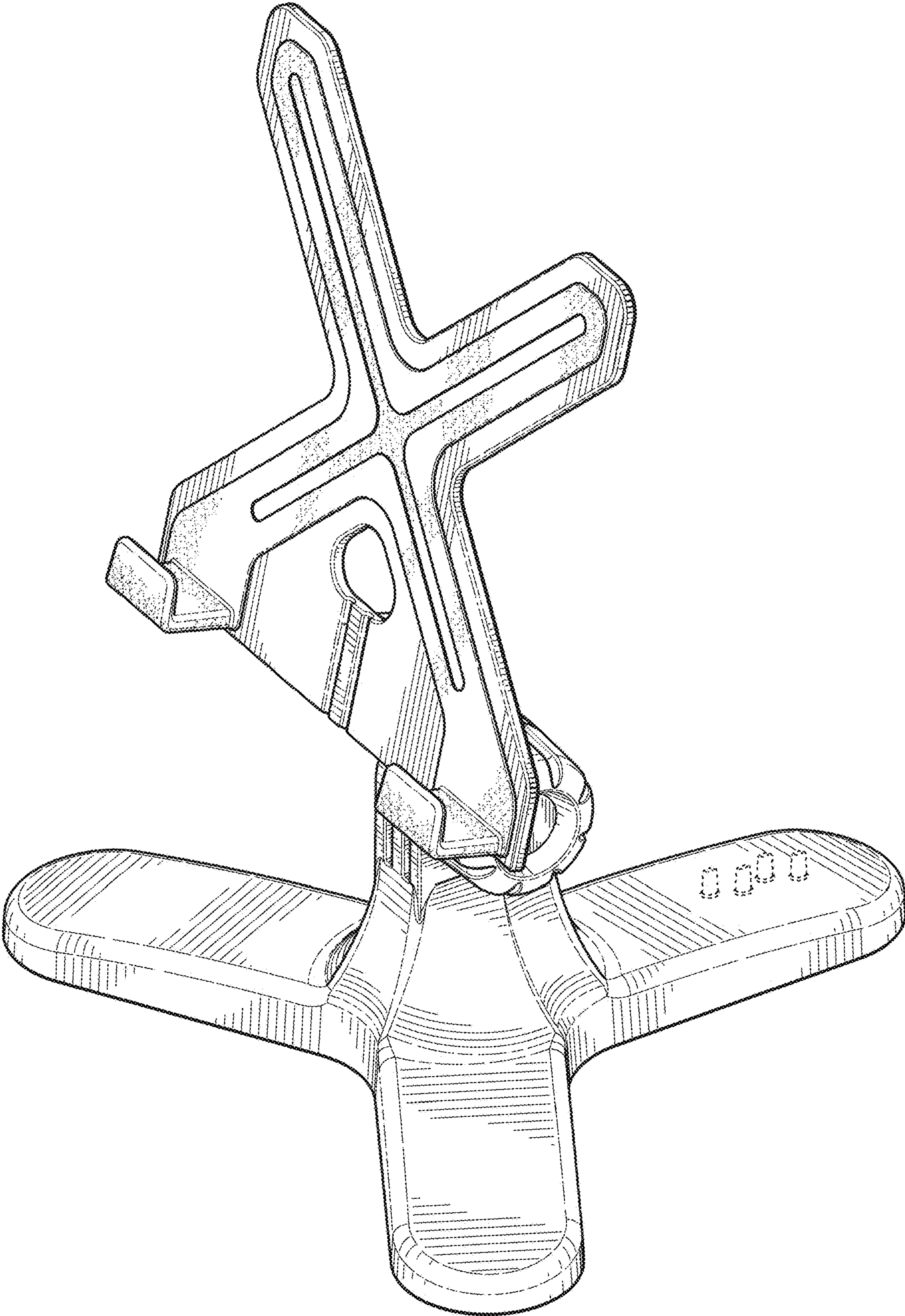


FIG. 1

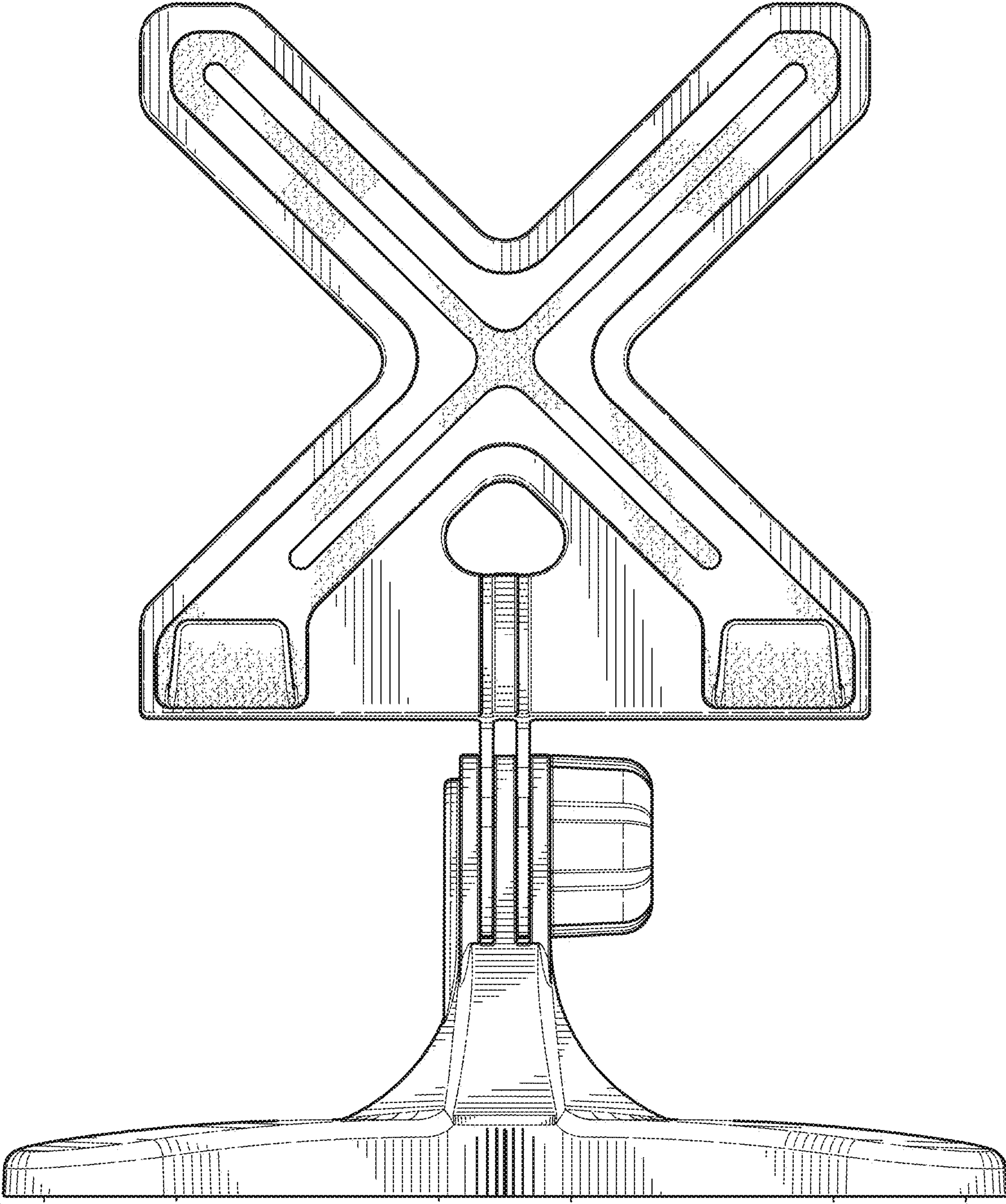


FIG. 2

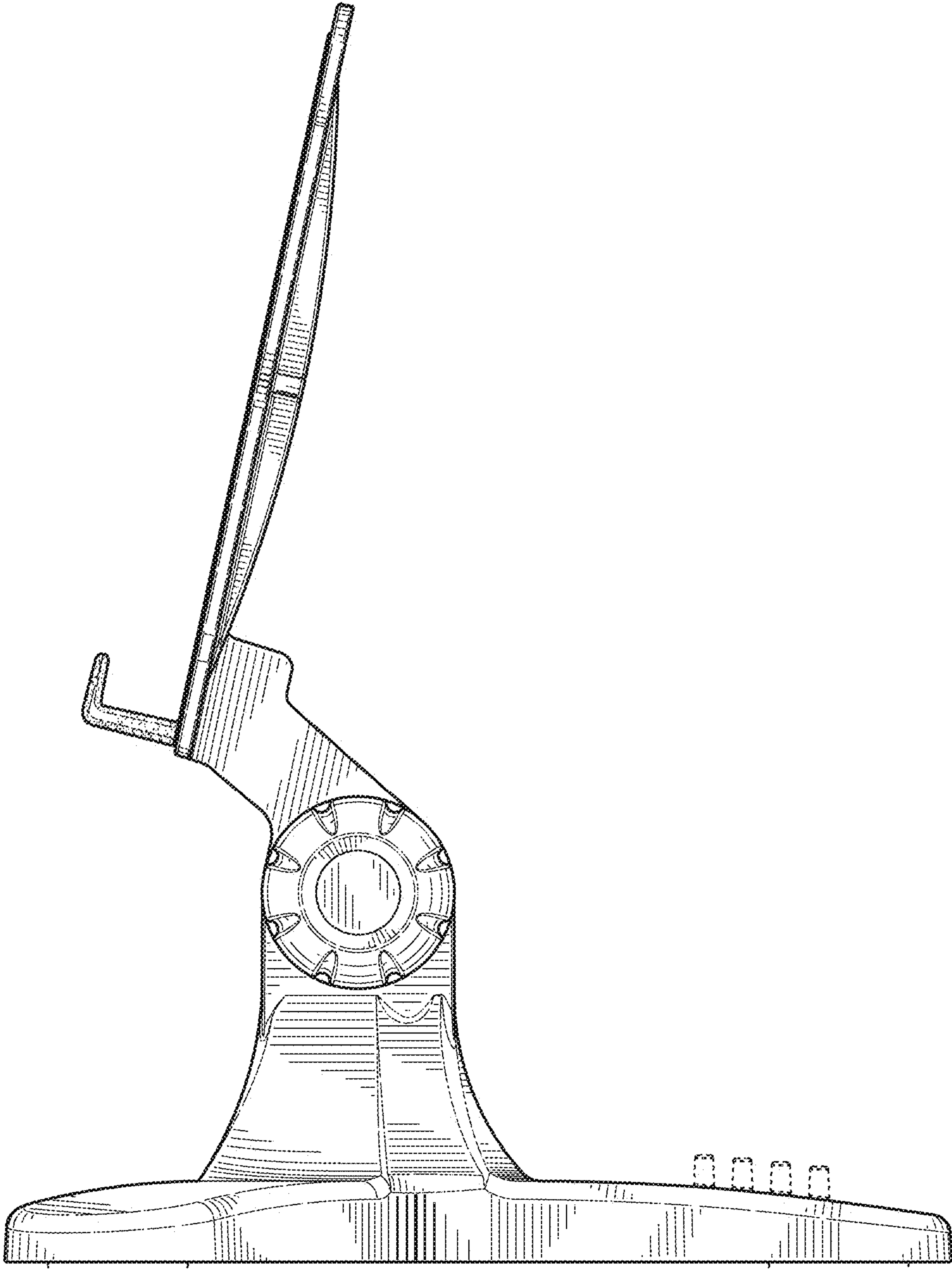


FIG. 3

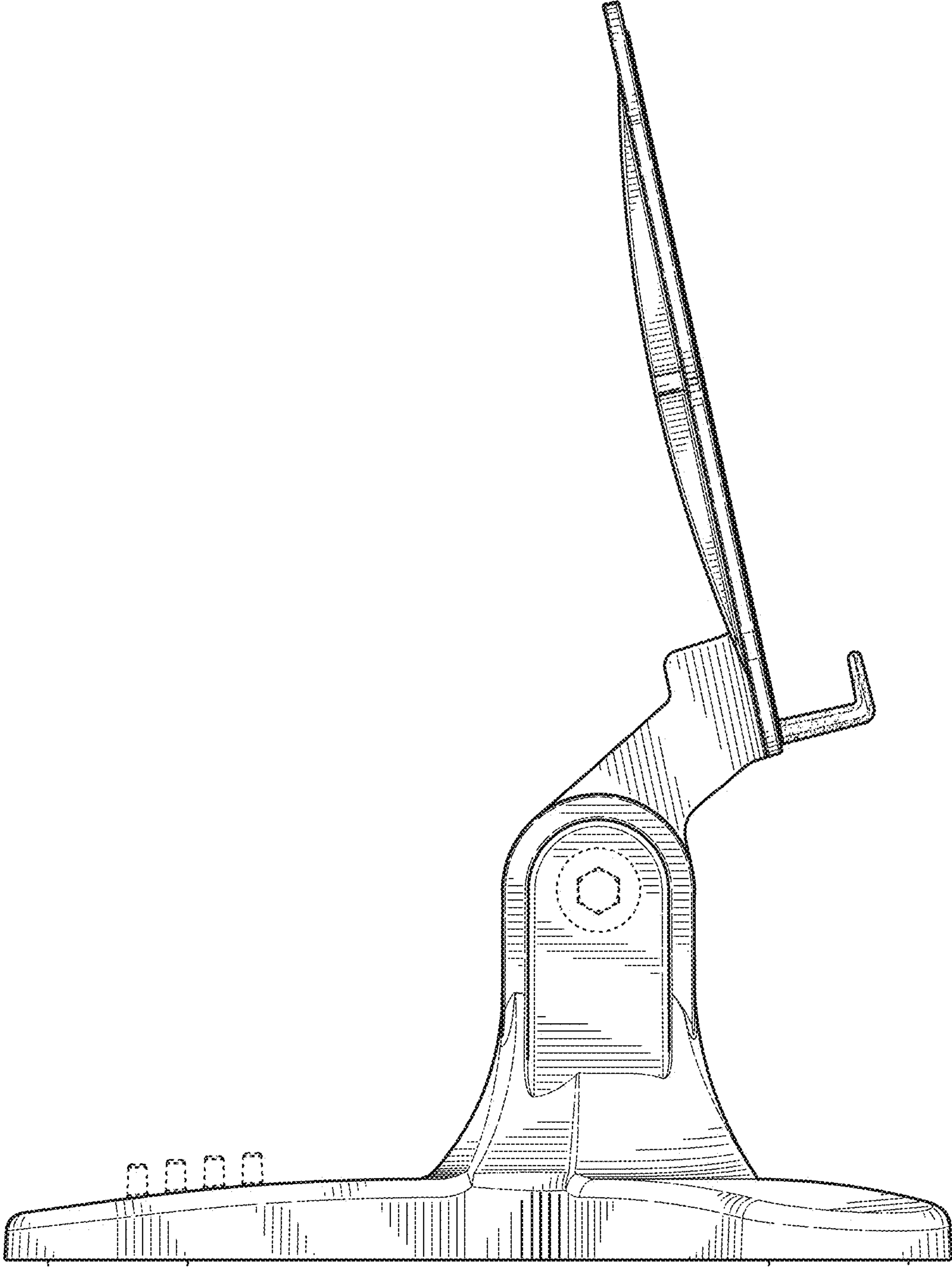


FIG. 4

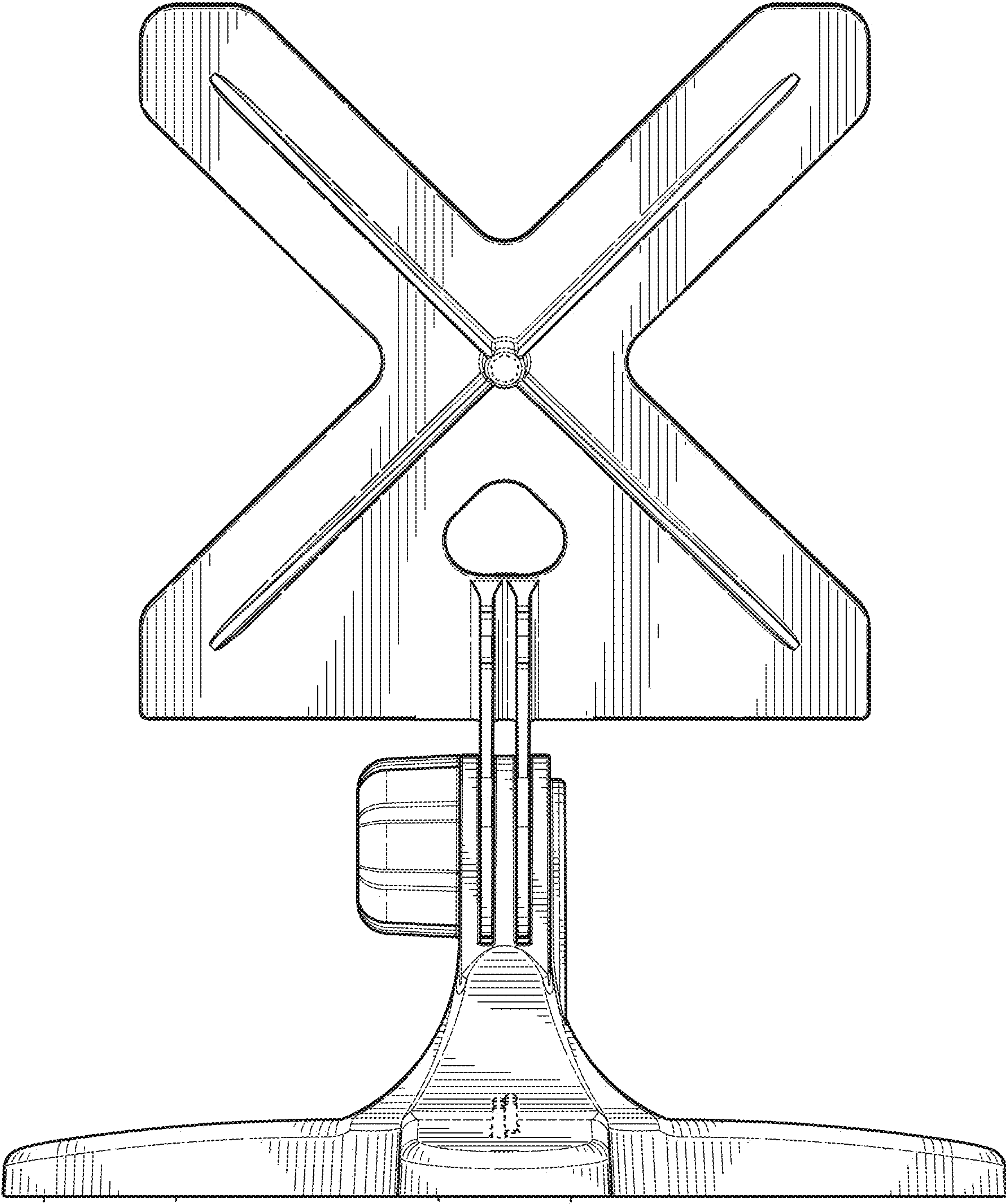


FIG. 5

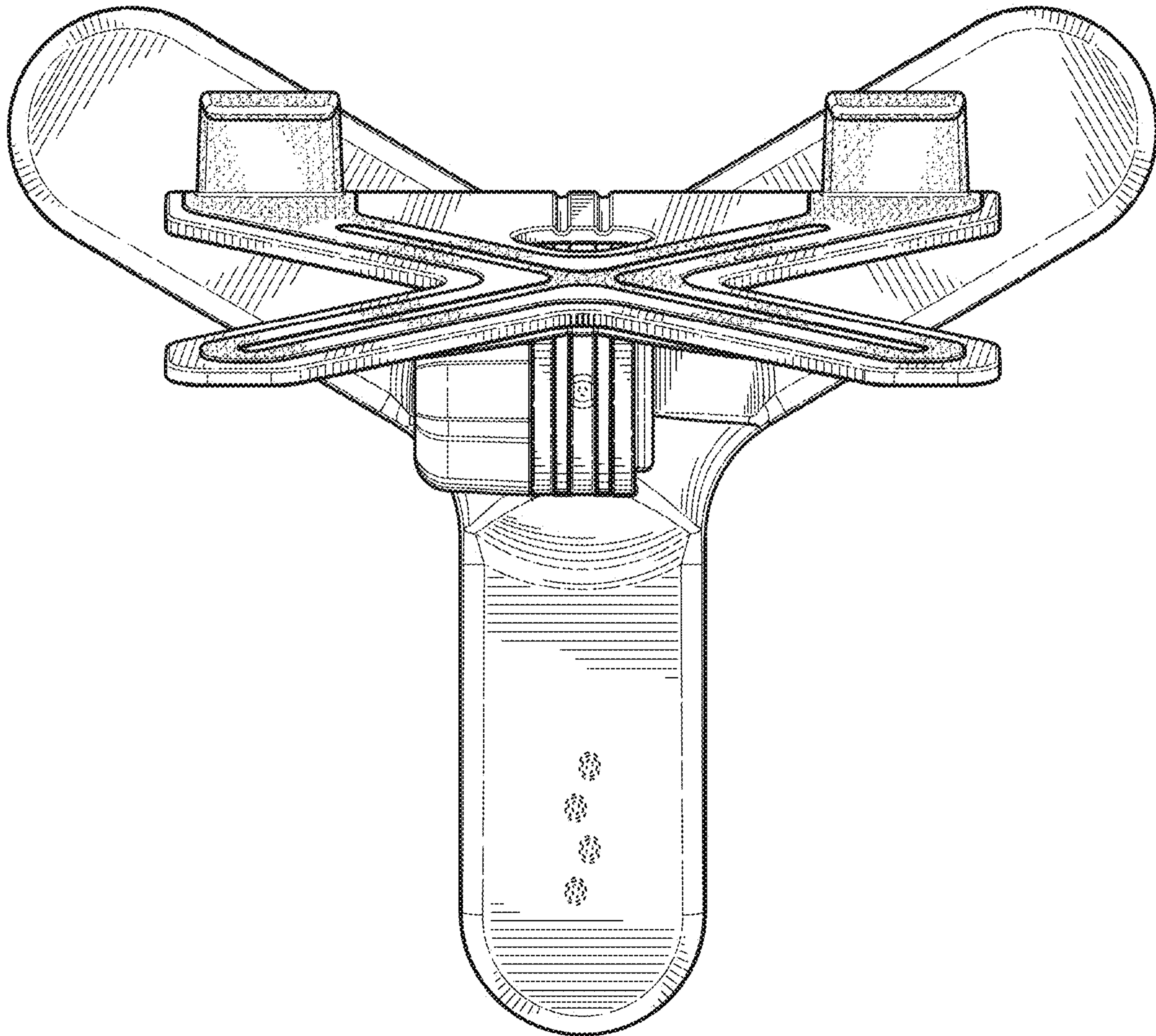


FIG. 6

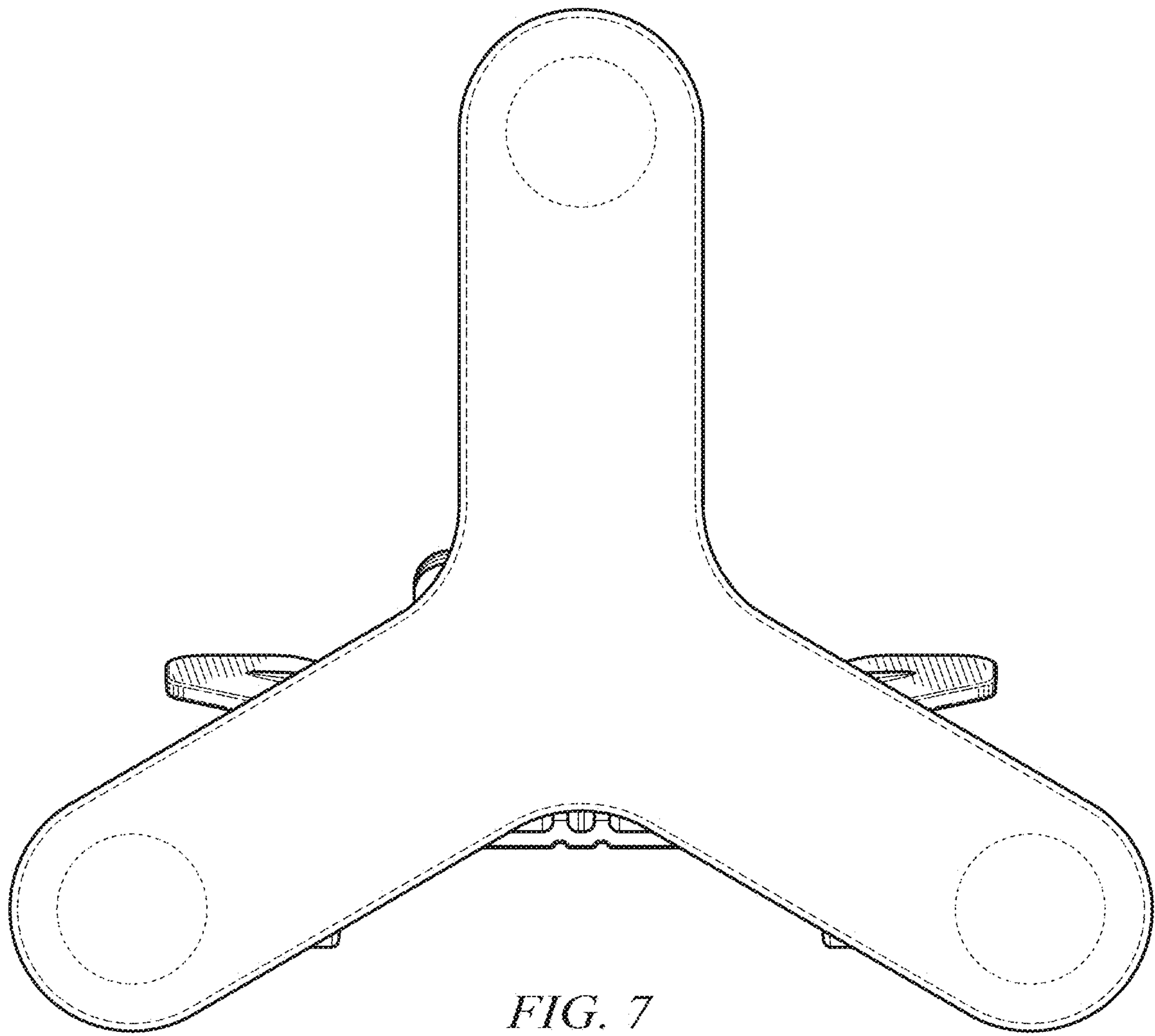


FIG. 7