



US00D982015S

(12) **United States Design Patent** (10) **Patent No.:** **US D982,015 S**  
**Cruz** (45) **Date of Patent:** **\*\* Mar. 28, 2023**

(54) **TABLET AND STAND**

(71) Applicant: **JP SA COUTO SA**, Perafita (PT)

(72) Inventor: **Tiago Alves Cruz**, Oporto (PT)

(\*\*) Term: **15 Years**

(21) Appl. No.: **29/690,058**

(22) Filed: **May 4, 2019**

(51) **LOC (14) Cl.** ..... **14-02**

(52) **U.S. Cl.**  
USPC ..... **D14/447**

(58) **Field of Classification Search**

USPC ..... D14/371-382, 125-129, 336, 337,  
D14/447-452, 492, 335, 376-382, 239,  
D14/457, 439-441, 432, 251-253;  
D8/349, 354, 363, 373, 376, 380;  
D21/333; D12/415; D3/218; 348/180,  
348/184, 325, 739, 825  
CPC ..... G06F 3/0412; G06F 3/016; G06F 3/0488;  
G06F 3/011; G06F 3/038; G06F 3/03543;  
G06F 3/0338; G06F 3/0202; G06F  
3/0219; G06F 3/0213; G06F 1/1616;  
G06F 3/023; G06F 3/04883; G02F  
1/13338; G02F 1/1313; G02F 1/1333;  
G02F 1/135; G02F 1/132; G02F  
1/133308; G02F 1/134309; G02F  
1/13718; G09G 3/3648; G06K 15/1252;  
B41J 2/465; G03F 7/70291; G02B  
27/0172; G02B 5/30; G02B 2027/0118;  
G02B 27/0101; F16M 13/02; F16M  
13/00; F16M 11/10; F16M 11/04; F16M  
2200/08; F16M 11/2021; A47B 21/0314;  
A47B 88/044; A47B 2021/0335; H02G  
3/126; F16B 47/00; F16B 47/006; A47G  
1/17; A47K 2201/00

See application file for complete search history.

(56) **References Cited**

U.S. PATENT DOCUMENTS

D317,910 S \* 7/1991 Hawkins ..... D14/447  
5,100,098 A \* 3/1992 Hawkins ..... G06F 1/1628  
361/679.55  
6,256,193 B1 \* 7/2001 Janik ..... G06F 1/1669  
248/922  
D533,558 S \* 12/2006 Elkhuisen ..... D14/447  
7,502,222 B2 \* 3/2009 Cheng ..... G06F 1/1624  
361/679.06  
8,230,992 B2 \* 7/2012 Law ..... G06F 1/1626  
248/176.1  
D676,449 S \* 2/2013 Probst ..... D14/440  
8,379,382 B2 \* 2/2013 Marshall ..... F16M 11/105  
206/320  
D691,144 S \* 10/2013 Peters ..... D14/440  
D781,865 S \* 3/2017 Hsu ..... D14/447

(Continued)

*Primary Examiner* — Katie Jane Stofko  
(74) *Attorney, Agent, or Firm* — Mardson Q McQuay

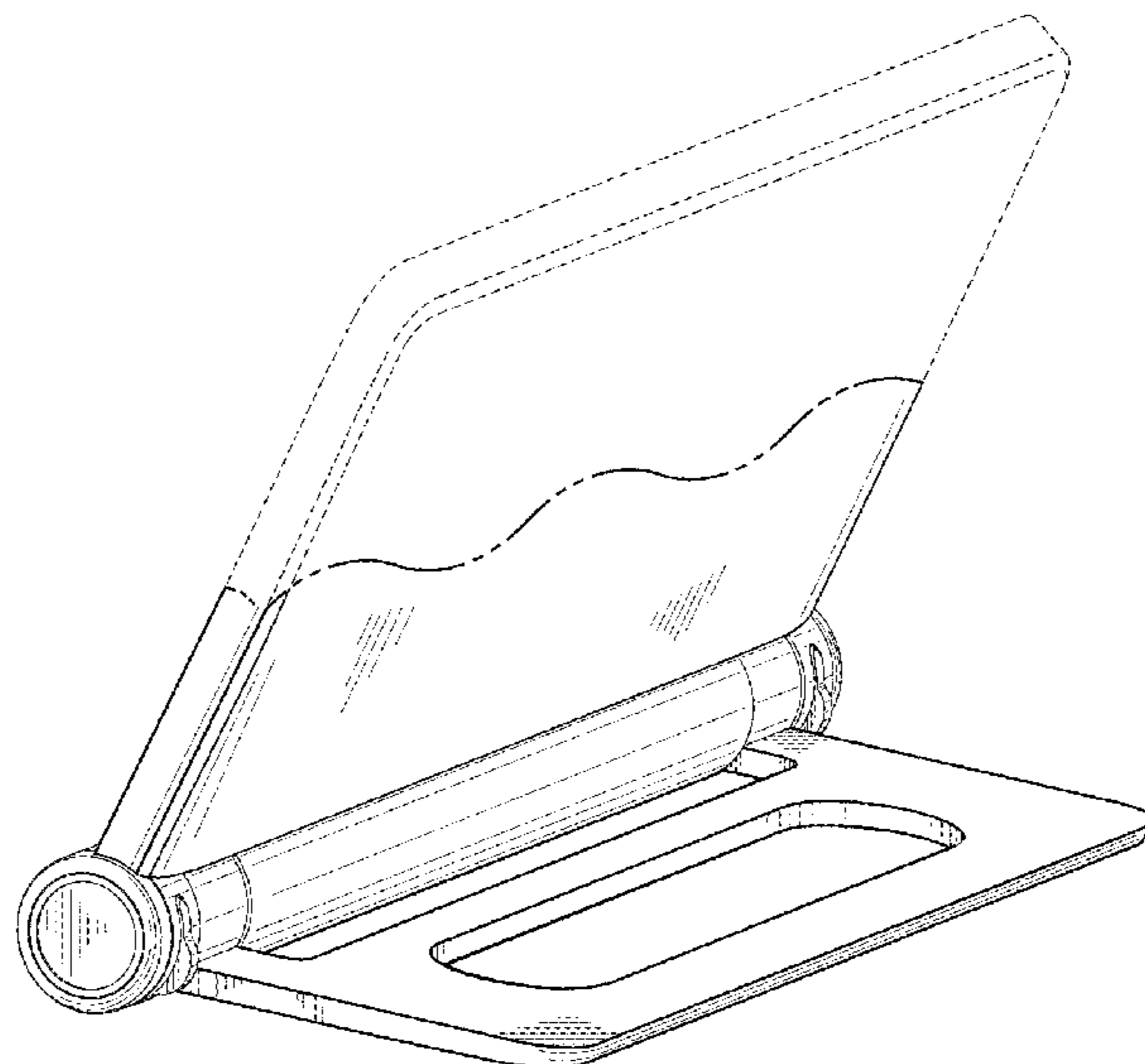
(57) **CLAIM**

The ornamental design for a tablet and stand, as shown and described.

**DESCRIPTION**

FIG. 1 is a top view of a tablet and stand showing my new design;  
FIG. 2 is a bottom plan thereof;  
FIG. 3 is a left side view thereof;  
FIG. 4 is a right side view thereof;  
FIG. 5 is a rear elevation view thereof;  
FIG. 6 is a front elevation view thereof;  
FIG. 7 is a perspective view thereof, shown in a first position; and,  
FIG. 8 is another perspective view thereof, shown in an alternative position.  
The evenly spaced broken lines in FIGS. 1-4 and 6-8 illustrate portions of the tablet and stand that form no part of the claim design. The dash-dot-dot-dash broken lines in FIGS. 1-8 illustrate the boundary of the claimed design which forms no part thereof.

**1 Claim, 8 Drawing Sheets**



(56)

**References Cited**

U.S. PATENT DOCUMENTS

9,759,372 B2 \* 9/2017 Pigatti ..... F16M 13/00  
D819,643 S \* 6/2018 Hu ..... D14/434  
D863,318 S \* 10/2019 Zhang ..... D14/447

\* cited by examiner

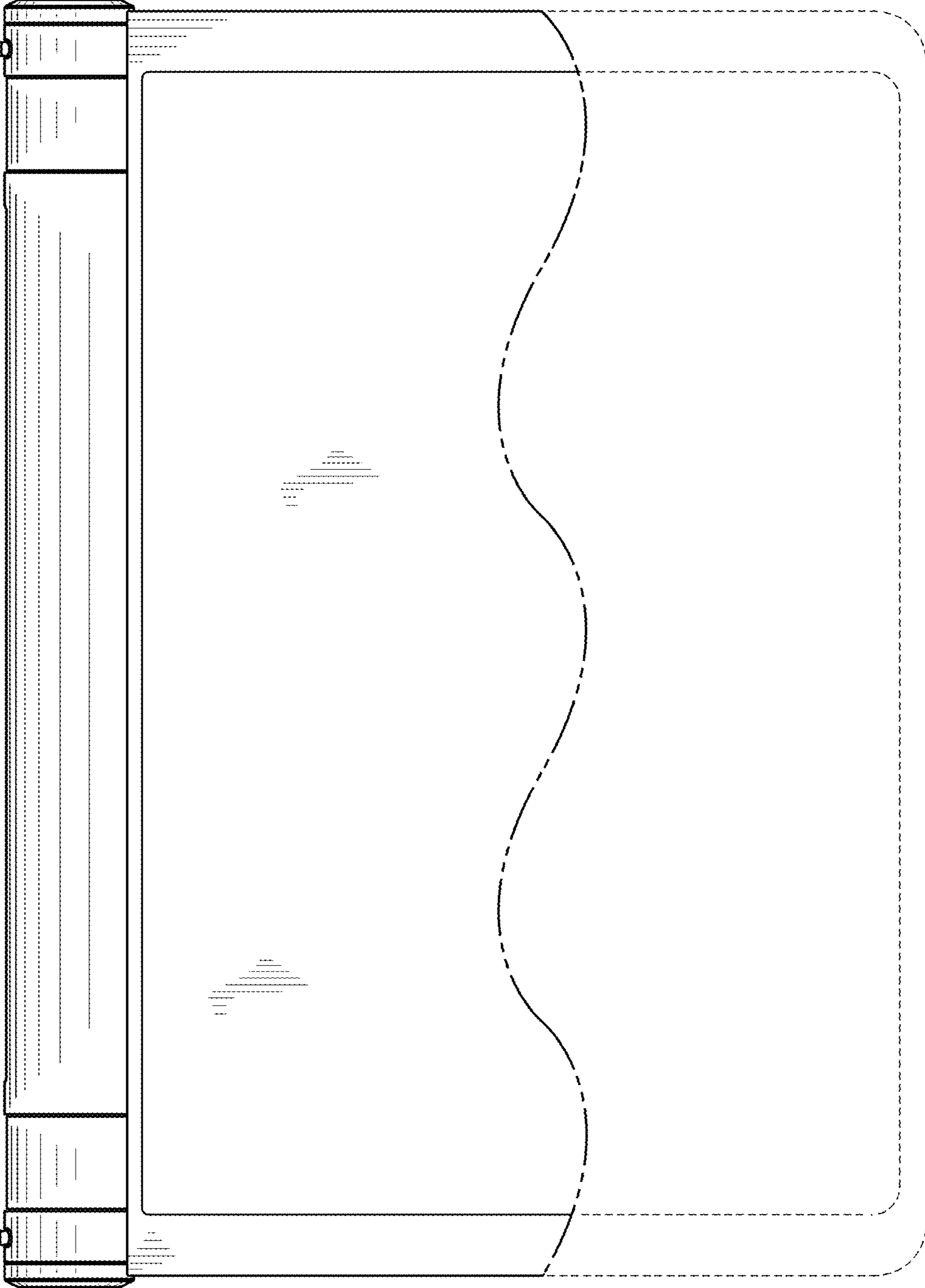


FIG. 1

FIG. 2

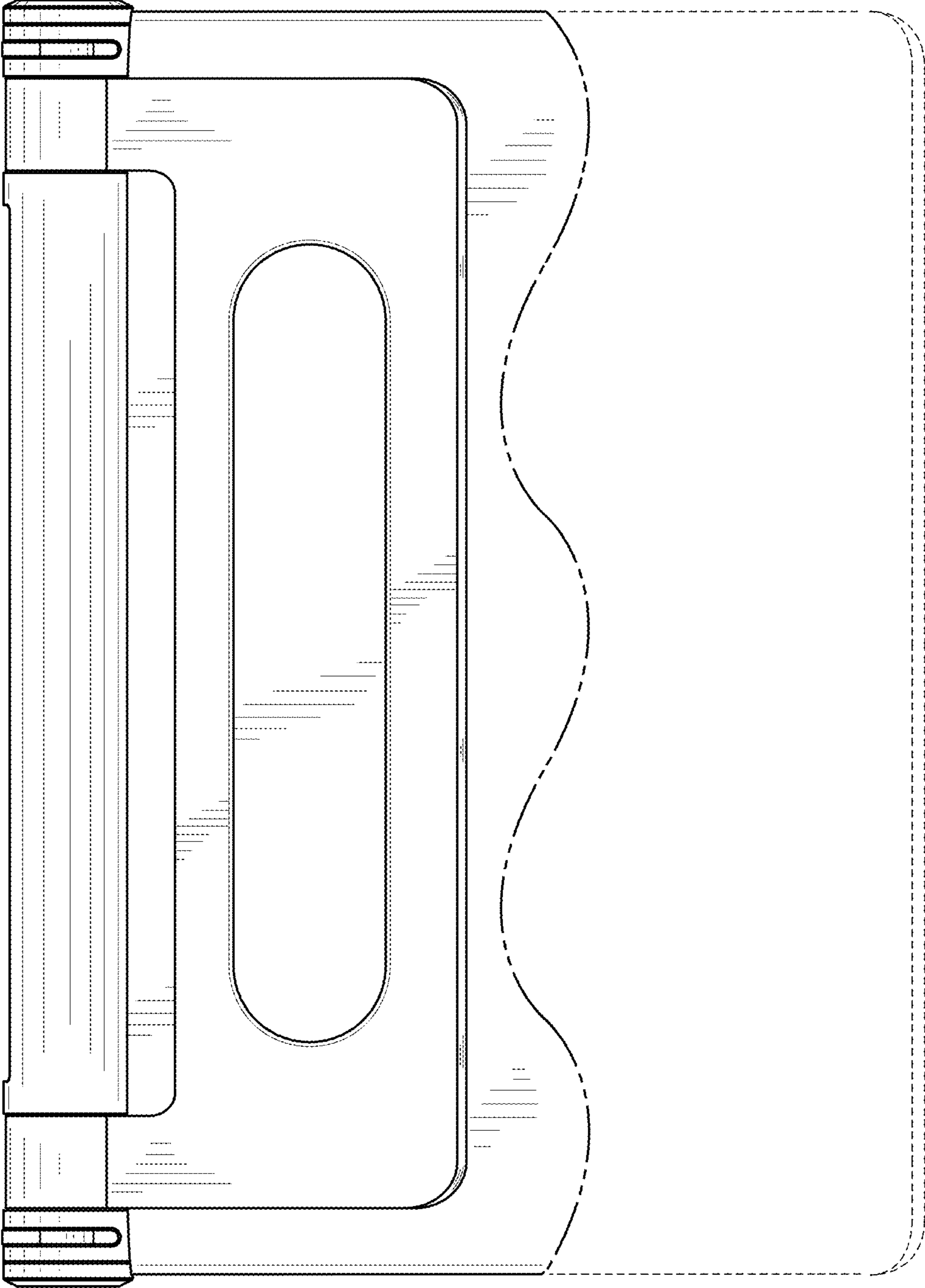


FIG. 3

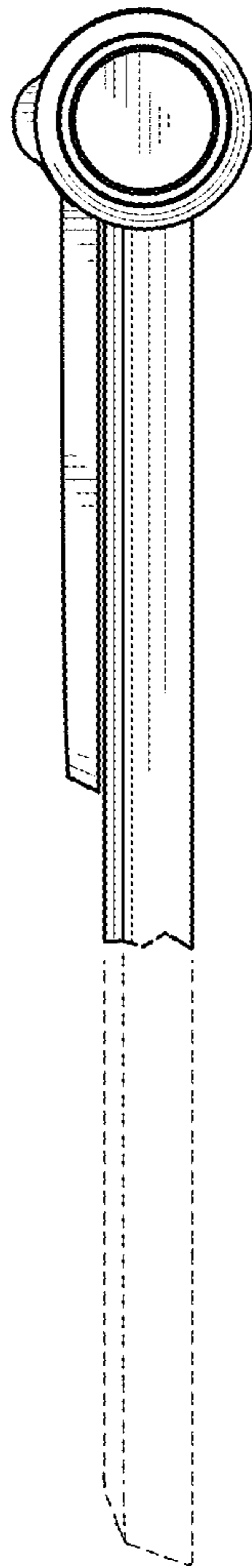
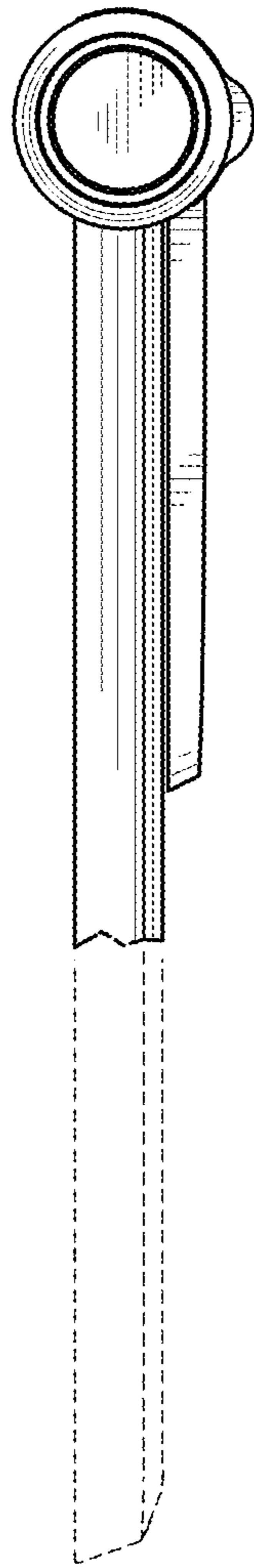


FIG. 4



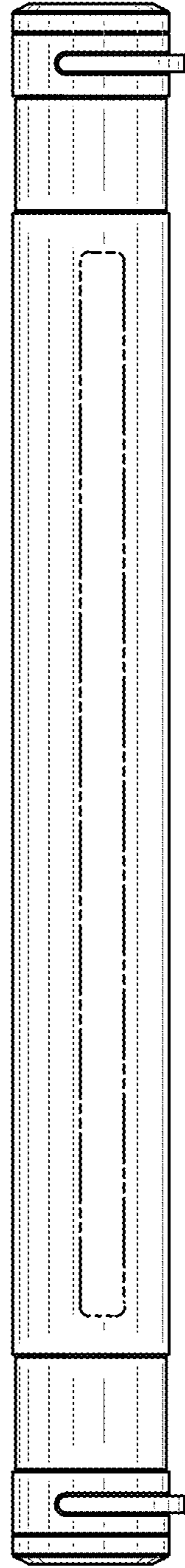


FIG. 5

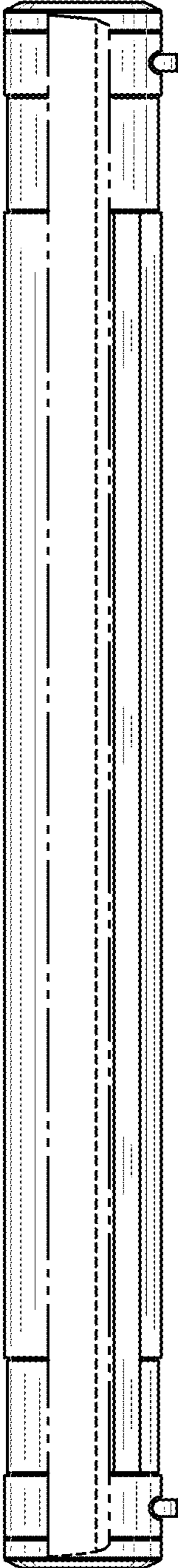


FIG. 6



FIG. 7

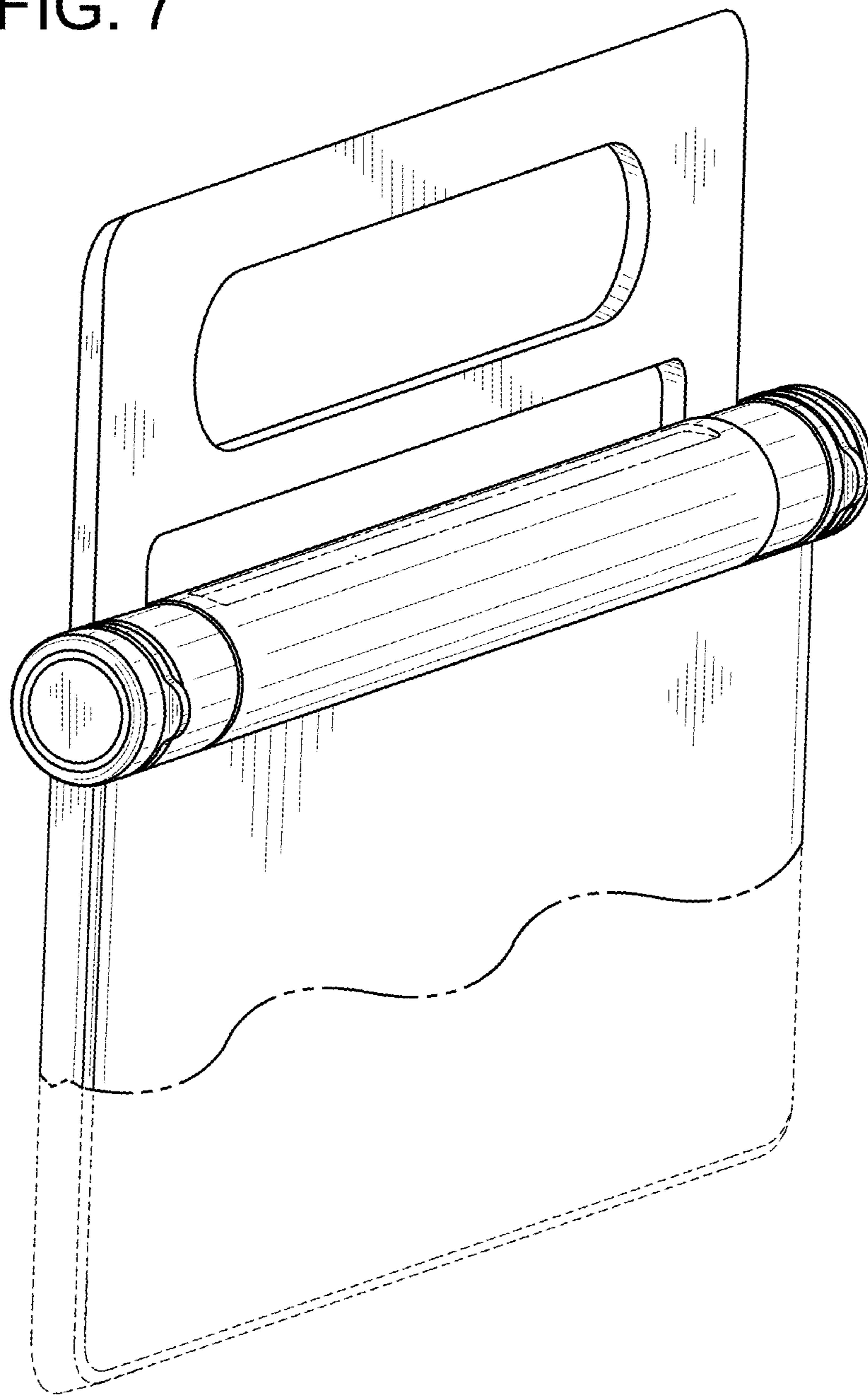


FIG. 8

