



US00D982014S

(12) **United States Design Patent**
Chen

(10) **Patent No.:** **US D982,014 S**

(45) **Date of Patent:** **** Mar. 28, 2023**

(54) **PROTECTIVE CASE FOR ELECTRONIC PRODUCTS**

(71) Applicant: **Qibo Chen**, Guangdong (CN)

(72) Inventor: **Qibo Chen**, Guangdong (CN)

(**) Term: **15 Years**

(21) Appl. No.: **29/796,545**

(22) Filed: **Jun. 24, 2021**

(30) **Foreign Application Priority Data**

May 10, 2021 (CN) 202130277435.1

(51) **LOC (14) Cl.** **14-02**

(52) **U.S. Cl.**
USPC **D14/440**

(58) **Field of Classification Search**
USPC D14/440, 447, 250; 206/45.23, 320,
206/45.2; 361/679.55; 294/25; 224/218
CPC ... G06F 1/1628; G06F 1/1626; A47B 23/044;
H04B 1/3888; A45C 11/00
See application file for complete search history.

(56) **References Cited**

U.S. PATENT DOCUMENTS

D851,649 S * 6/2019 Tan D14/440
D900,828 S * 11/2020 Chen D14/440

D920,982 S * 6/2021 Xu D14/440
D924,877 S * 7/2021 Weng D14/440
D930,653 S * 9/2021 Armstrong D14/440
D943,591 S * 2/2022 Zhu D14/440
D949,153 S * 4/2022 Chen D14/440
D951,959 S * 5/2022 Qu D14/440
D971,220 S * 11/2022 Wu D14/440

* cited by examiner

Primary Examiner — Cynthia R Underwood

(57) **CLAIM**

The ornamental design for a protective case for electronic products, as shown and described.

DESCRIPTION

FIG. 1 is a top, front and right side perspective view of a protective case for electronic products showing my new design;

FIG. 2 is a bottom, rear and left side perspective view thereof;

FIG. 3 is a front elevational view thereof;

FIG. 4 is a rear elevational view thereof;

FIG. 5 is a left side view thereof;

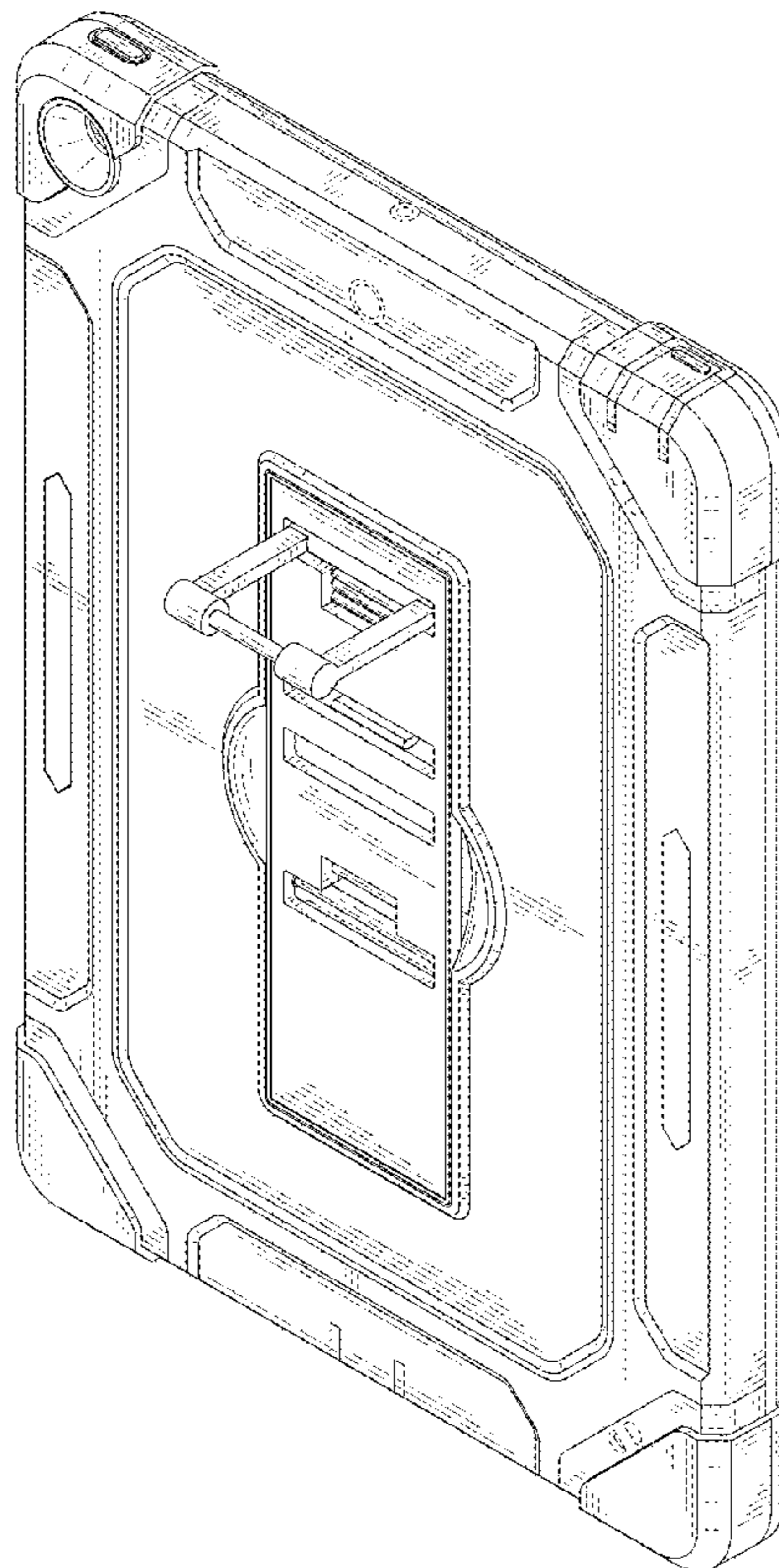
FIG. 6 is a right side view thereof;

FIG. 7 is a top plan view thereof; and,

FIG. 8 is a bottom plan view thereof.

The broken lines in the drawings illustrate portions of the protective case for electronic products which form no part of the claimed design.

1 Claim, 8 Drawing Sheets



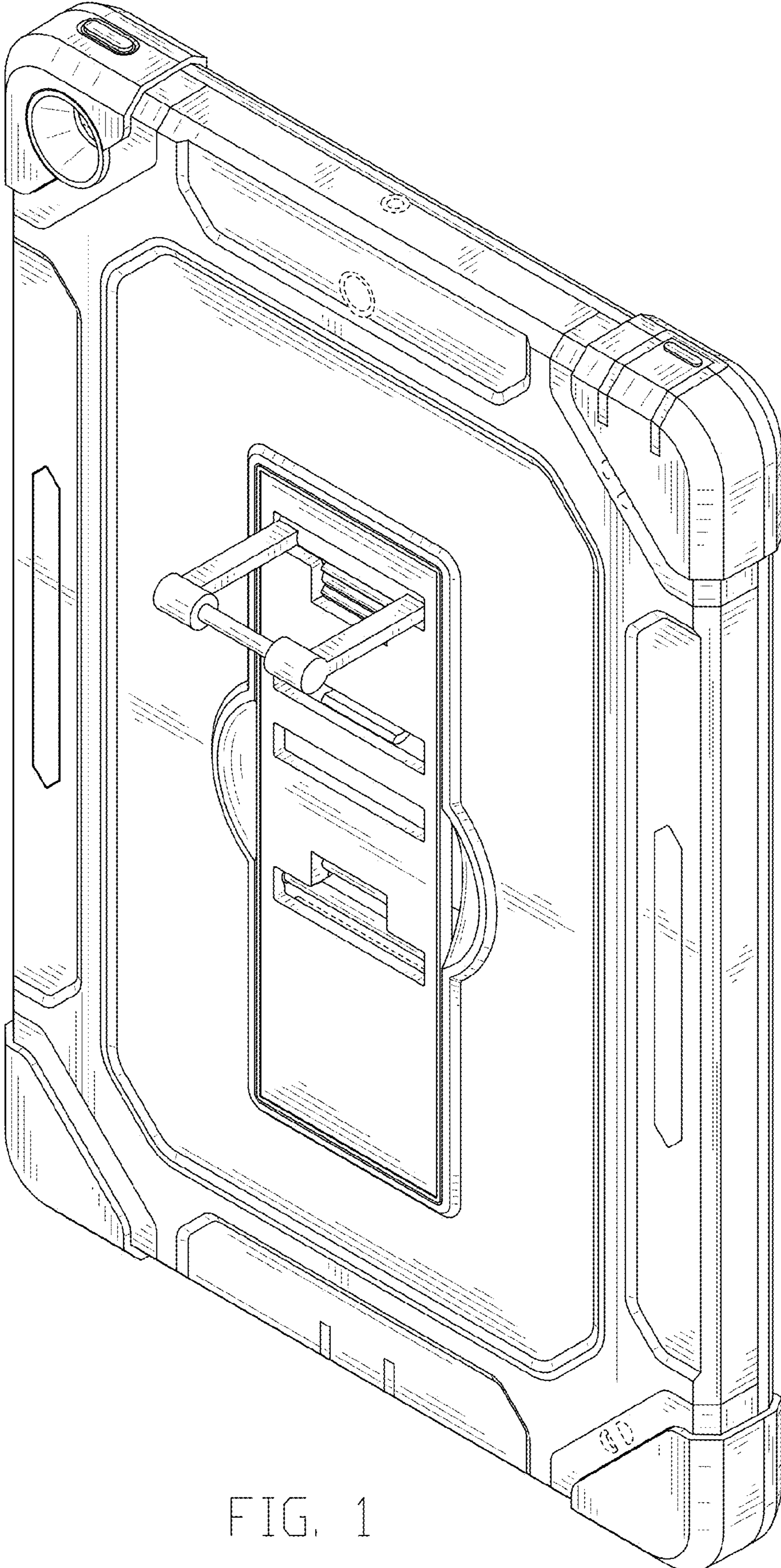


FIG. 1

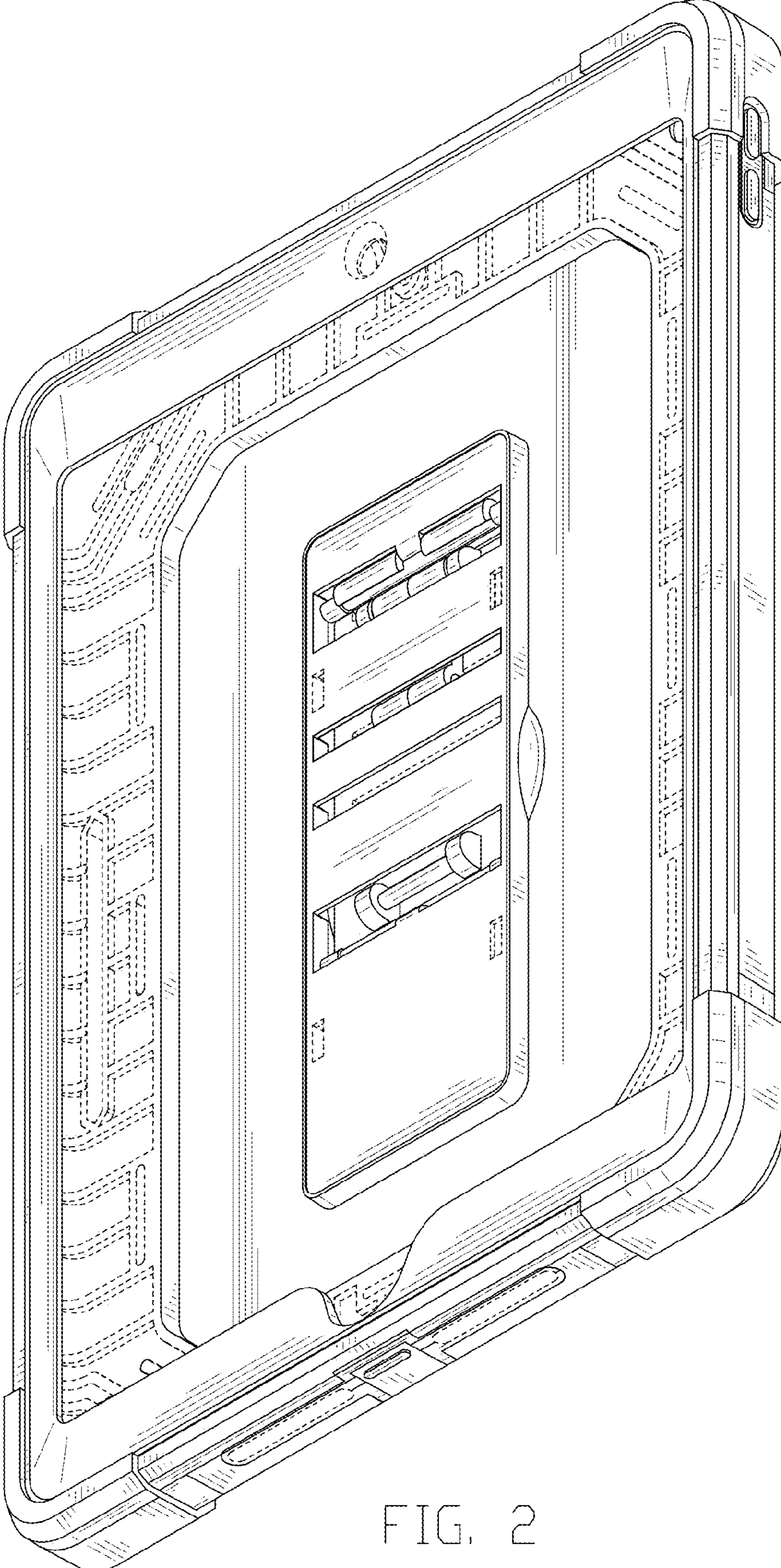


FIG. 2

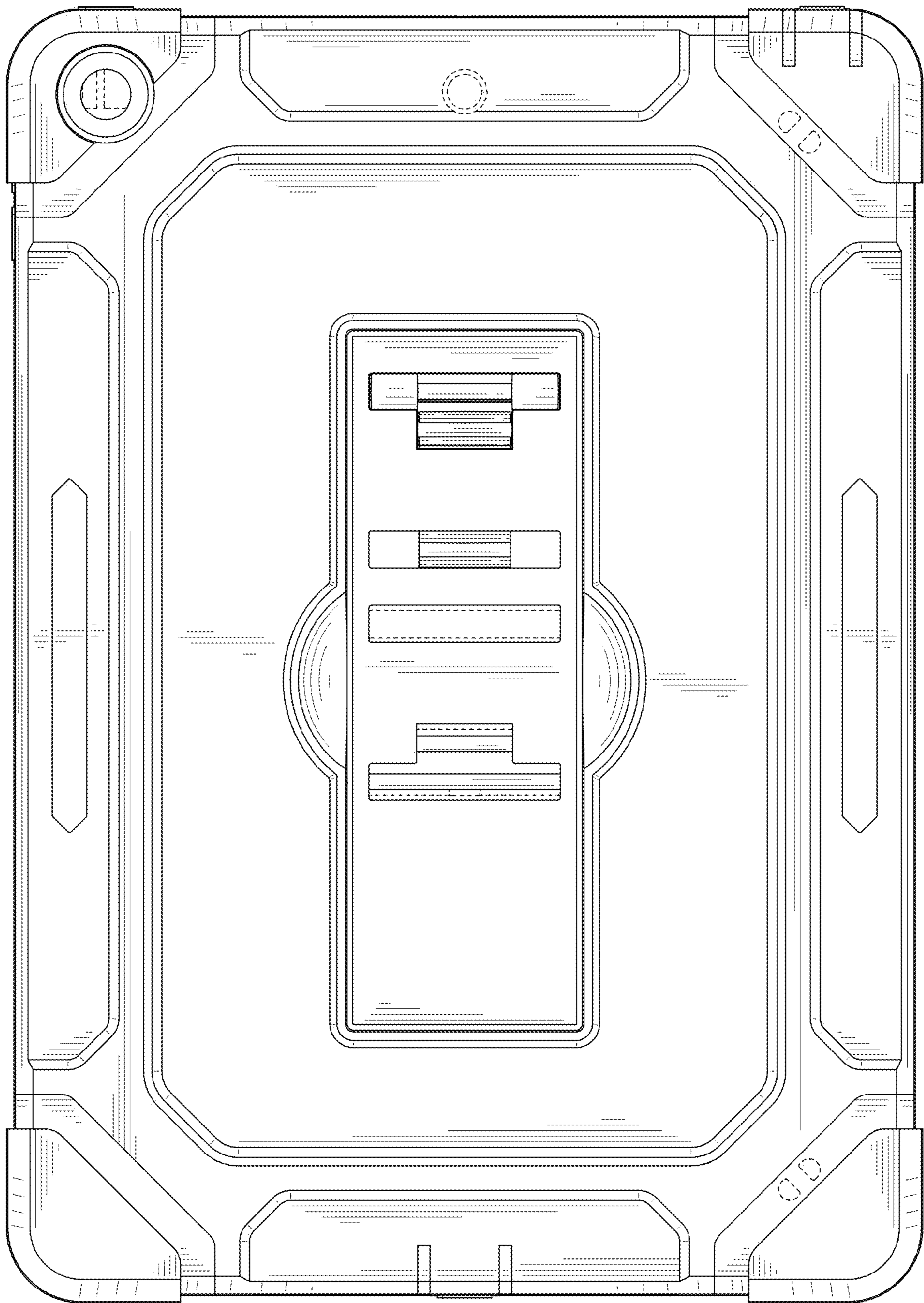


FIG. 3

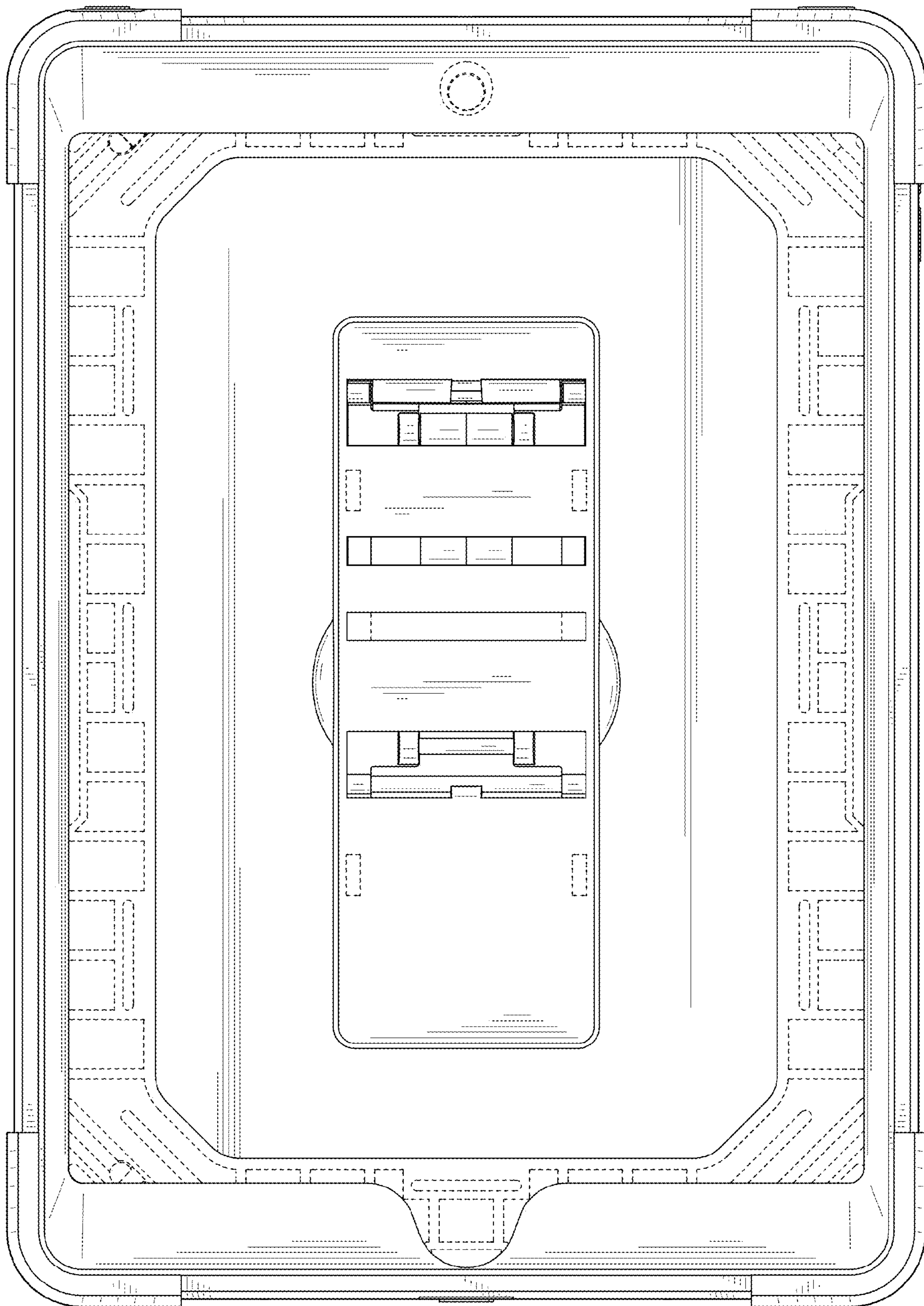


FIG. 4

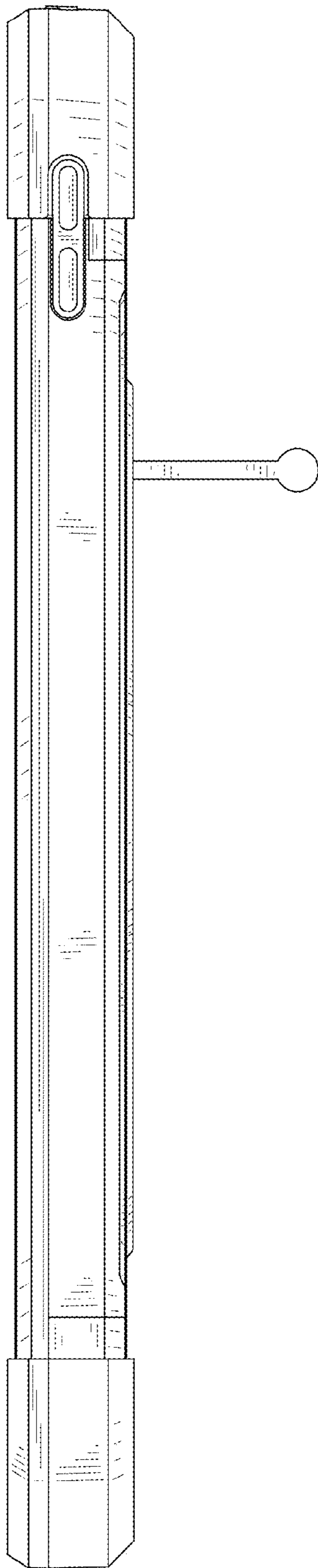


FIG. 5

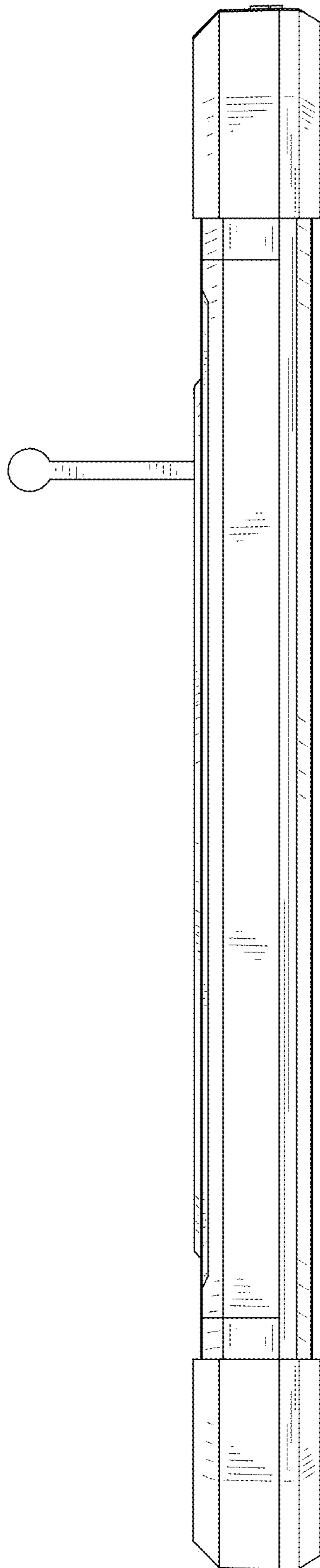


FIG. 6

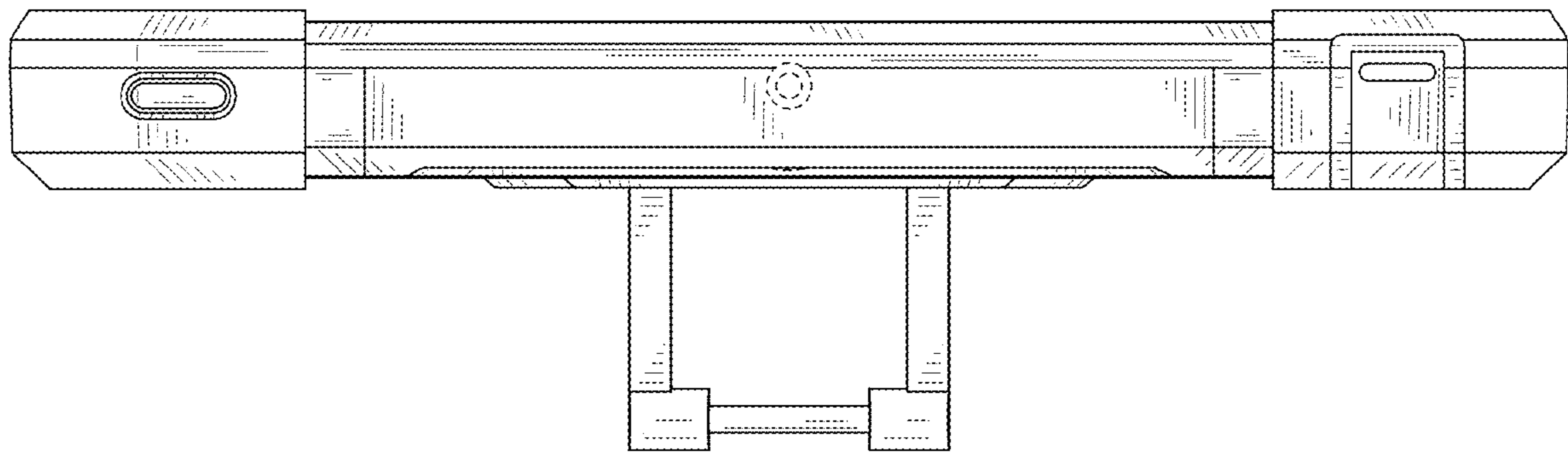


FIG. 7

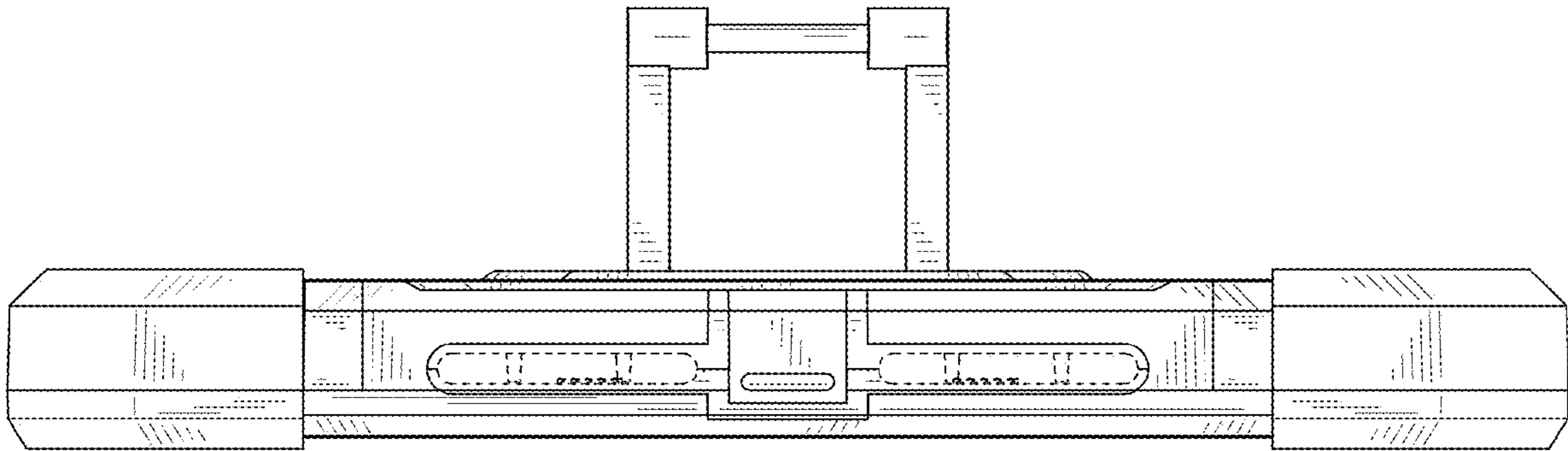


FIG. 8