



US00D982013S

(12) **United States Design Patent**
Cai

(10) **Patent No.:** **US D982,013 S**
(45) **Date of Patent:** **** Mar. 28, 2023**

(54) **HUB**

(71) Applicant: **SHENZHEN DEONE INNOVATION TECHNOLOGY CO., LTD**, Shenzhen (CN)

(72) Inventor: **Xueliang Cai**, Shenzhen (CN)

(73) Assignee: **SHENZHEN DEONE INNOVATION TECHNOLOGY CO., LTD**, Shenzhen (CN)

(**) Term: **15 Years**

(21) Appl. No.: **29/847,674**

(22) Filed: **Jul. 27, 2022**

(30) **Foreign Application Priority Data**

Jul. 14, 2022 (CN) 202230447444.5

(51) **LOC (14) Cl.** **14-02**

(52) **U.S. Cl.**
USPC **D14/433**; D14/434

(58) **Field of Classification Search**
USPC D14/203.1-203.3, 348, 356-358, 363,
D14/367-369, 432-438, 480.1-480.7,
D14/484.1; D13/103, 107-108, 110, 158,
D13/168-169

CPC G06F 2213/38; G06F 2213/4004; G06F
2213/4002

See application file for complete search history.

(56) **References Cited**

U.S. PATENT DOCUMENTS

- D266,500 S * 10/1982 Garbe D13/164
- D431,230 S * 9/2000 Began D13/184
- D563,954 S * 3/2008 Buchanon D14/480.7
- D565,571 S * 4/2008 Trifilio D14/356
- D623,189 S * 9/2010 Son D14/434
- D638,010 S * 5/2011 de Wilde D14/300

(Continued)

FOREIGN PATENT DOCUMENTS

CA 131907 * 3/2010
CN 303287182 * 7/2015

(Continued)

OTHER PUBLICATIONS

Stand Base and 6-in-1 Steam Deck Dock, JSAUX, amazon.com, published by JSAUX, first available on Aug. 25, 2022 © 1996-2022 Amazon.com, Inc., online, site visited Sep. 28, 2022. Available from Internet, URL: <https://www.amazon.com/Stand-Base-Steam-Deck-Compatible/dp/B0BBV28358> (Year: 2022).*

(Continued)

Primary Examiner — Holly E Thurman
Assistant Examiner — Altaira J Swangin
(74) *Attorney, Agent, or Firm* — Daniel M. Cohn;
Howard M. Cohn

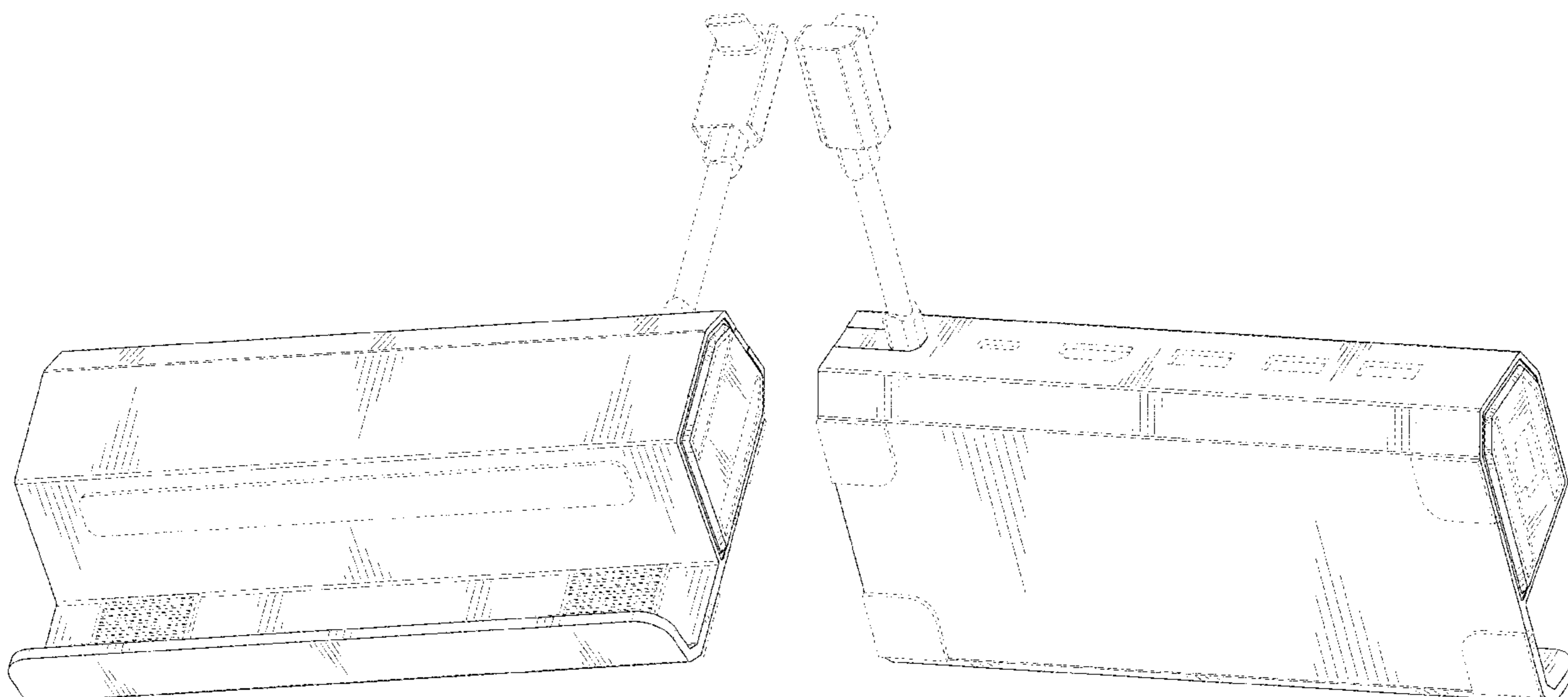
(57) **CLAIM**

The ornamental design for a hub, as shown and described.

DESCRIPTION

FIG. 1 is a perspective view of a hub showing my new design;
FIG. 2 is another perspective view thereof;
FIG. 3 is a front elevational view thereof;
FIG. 4 is a rear elevational view thereof;
FIG. 5 is a left side elevational view thereof;
FIG. 6 is a right side elevational view thereof;
FIG. 7 is a top plan view thereof;
FIG. 8 is a bottom plan view thereof; and,
FIG. 9 is a perspective view of the hub of FIGS. 1-8 in an alternate configuration of use.
The broken lines in the drawings depict portions of the hub that form no part of the claimed design.

1 Claim, 9 Drawing Sheets



(56)

References Cited

U.S. PATENT DOCUMENTS

D674,392 S * 1/2013 Cheng D14/434
 D679,711 S * 4/2013 Perry D14/434
 D685,322 S * 7/2013 Szymanski D13/108
 D687,010 S * 7/2013 McManigal D14/188
 D690,308 S * 9/2013 McCoy D14/458
 D690,647 S * 10/2013 Huang D13/108
 D781,841 S * 3/2017 Salathe D14/253
 D795,876 S * 8/2017 Fletcher D14/434
 D829,718 S * 10/2018 Fletcher D14/434
 D845,303 S * 4/2019 Laffon de Mazieres D14/433
 D876,441 S * 2/2020 Boehmer D14/433
 D886,812 S 6/2020 Jung et al.
 D901,507 S * 11/2020 Klinkman D14/434
 D906,145 S 12/2020 Siminoff et al.
 D919,628 S * 5/2021 Ma D14/433
 D934,258 S * 10/2021 Zhang D14/433
 D935,465 S * 11/2021 Wang D14/433
 D939,505 S * 12/2021 Zhang D14/433
 D951,871 S * 5/2022 Valley D13/139.7
 D975,011 S * 1/2023 Liang D13/103

FOREIGN PATENT DOCUMENTS

CN 304641983 * 5/2018
 EM 009095409-0001 * 8/2022
 EM 009095409-0002 * 8/2022
 EM 009095409-0003 * 8/2022
 EM 009095409-0004 * 8/2022
 KR 301071811.0000 * 8/2020

OTHER PUBLICATIONS

Docking Station compatible with Steam Deck, JSAUX, amazon.com, published by JSAUX, first available on Jul. 25, 2022 © 1996-2022 Amazon.com, Inc., online, site visited Sep. 28, 2022. Available from Internet, URL: <https://www.amazon.com/JSAUX-Compatible-Ethernet-Charging-Deck-HB0603/dp/B0B7HVZNMB/> (Year: 2022).*

Upgraded Docking Station for Steam Deck HB0603, JSAUX, jsaux.com, author unlisted, published on Jul. 5, 2022 © JSAUX, Inc., online, site visited Nov. 15, 2022. Available from Internet, URL: <https://www.jsaux.com/products/upgraded-docking-station-for-steam-deck> (Year: 2022).*

* cited by examiner

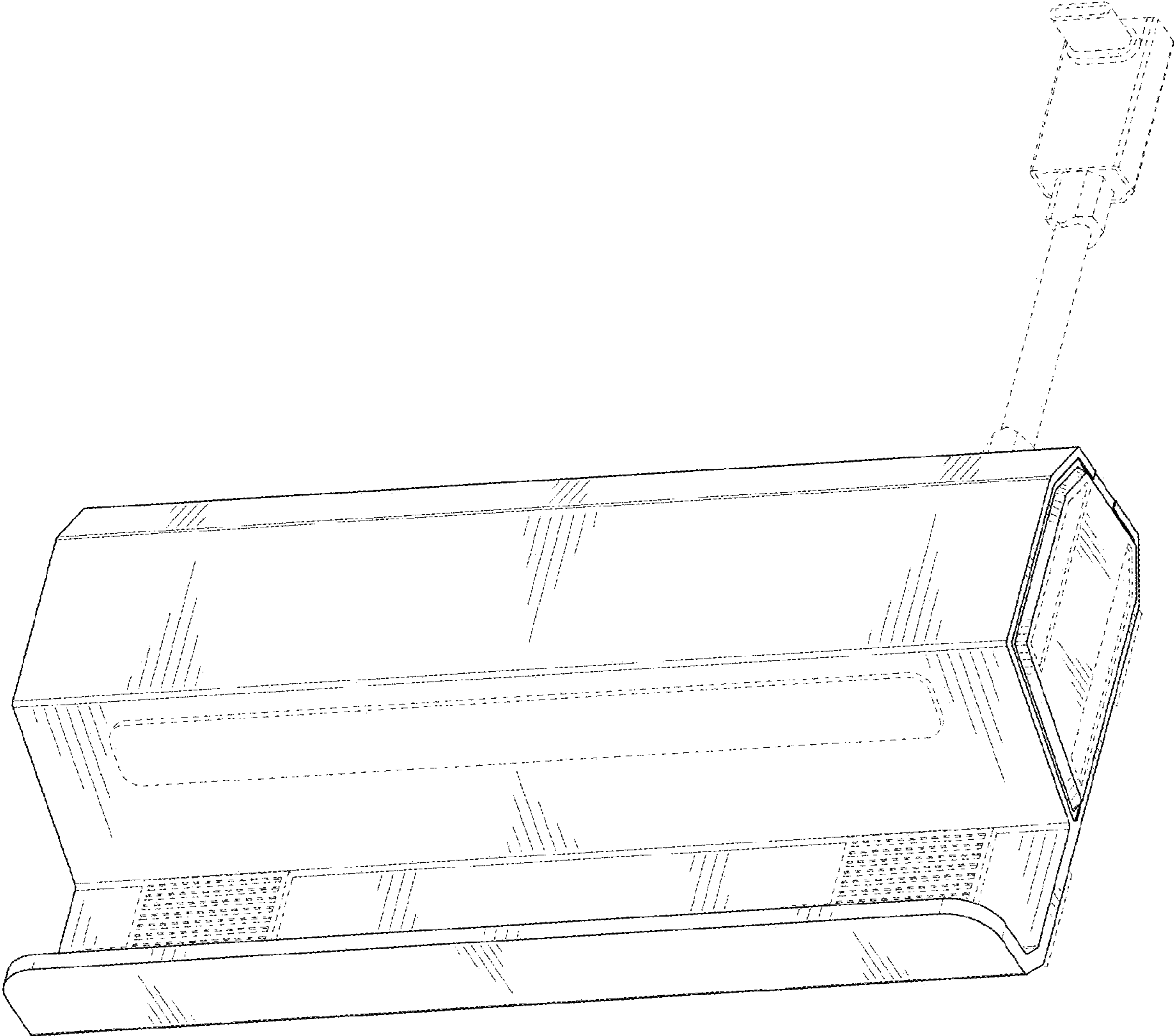


FIG. 1

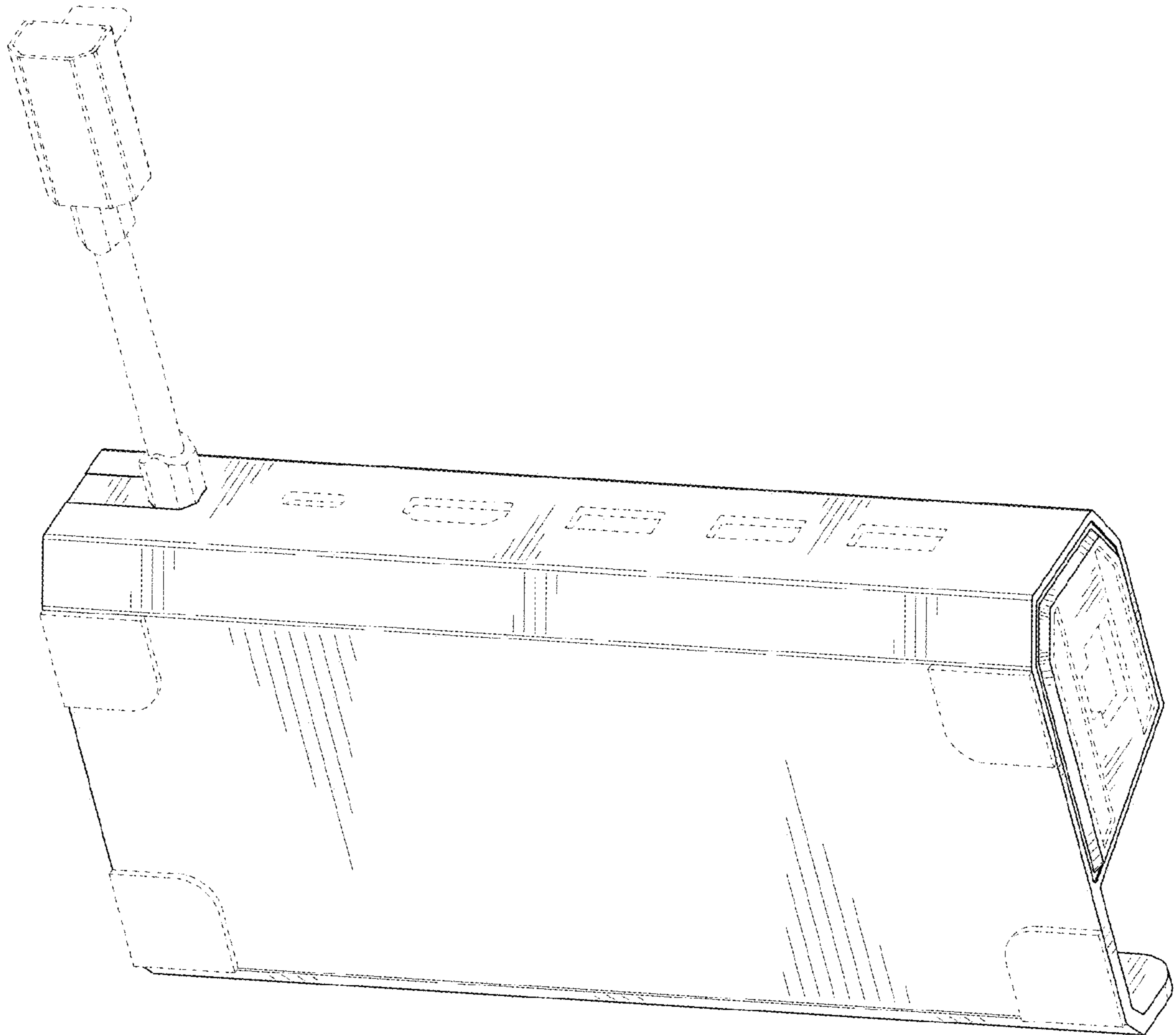


FIG. 2

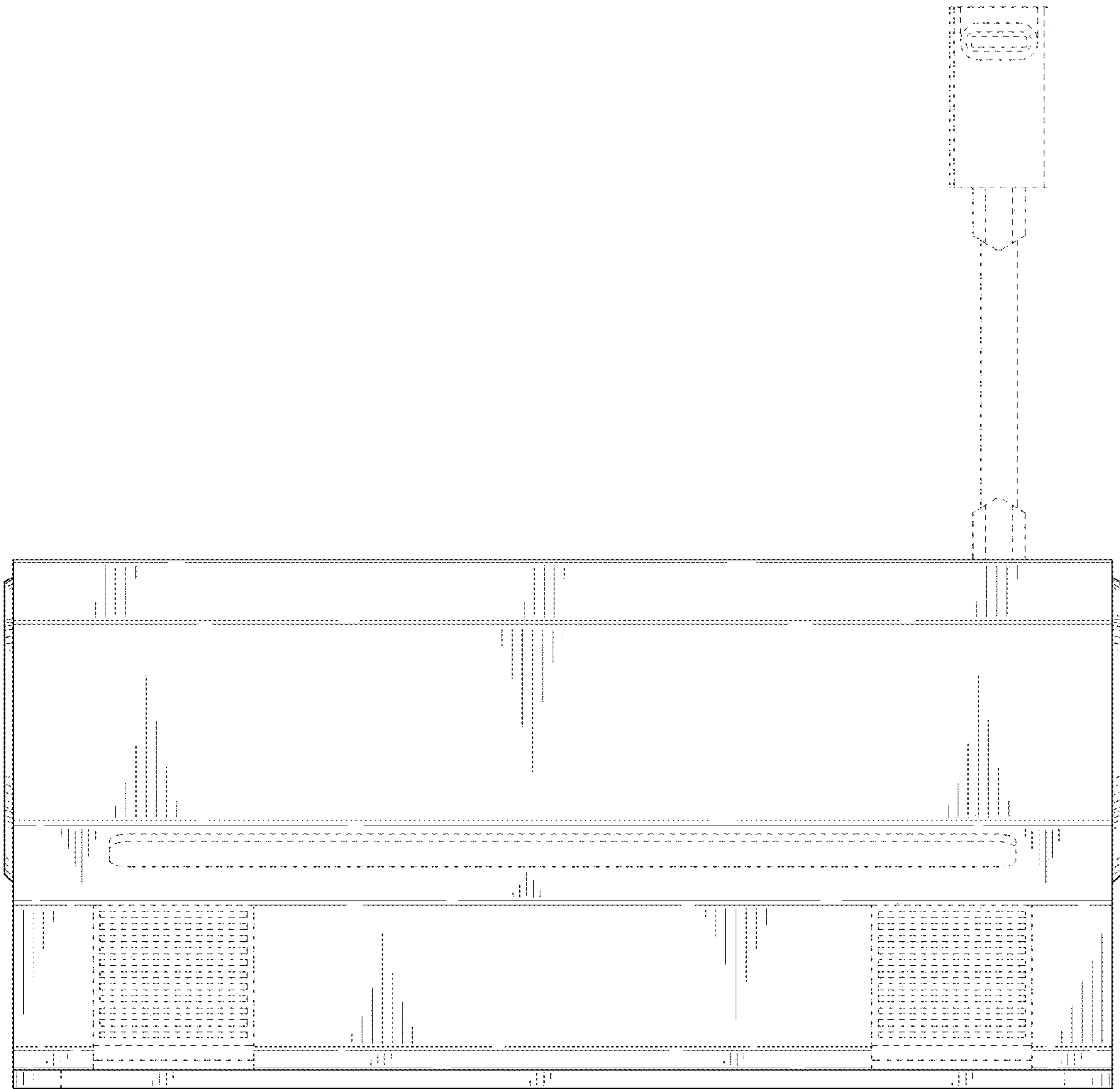


FIG. 3

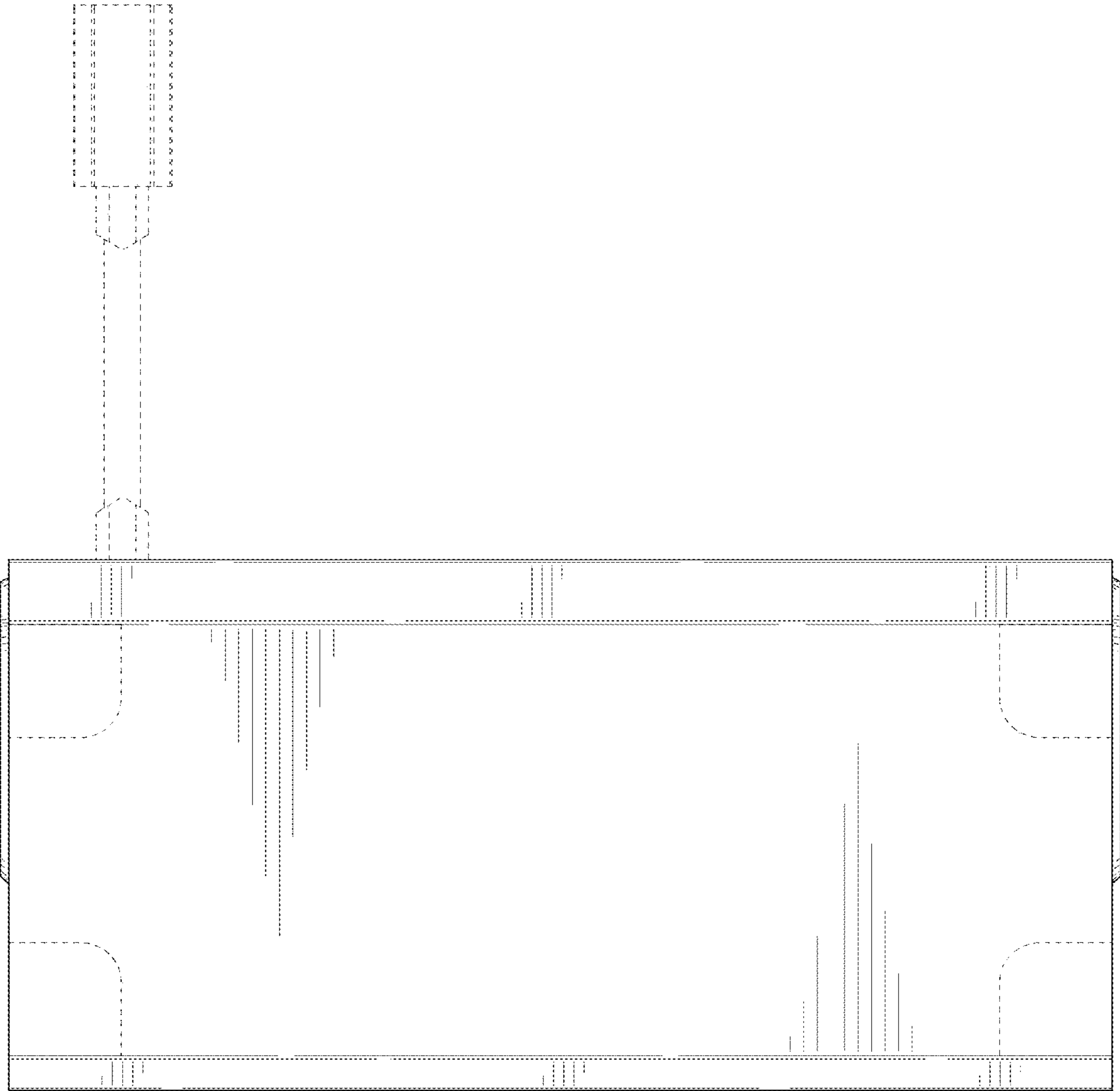


FIG. 4

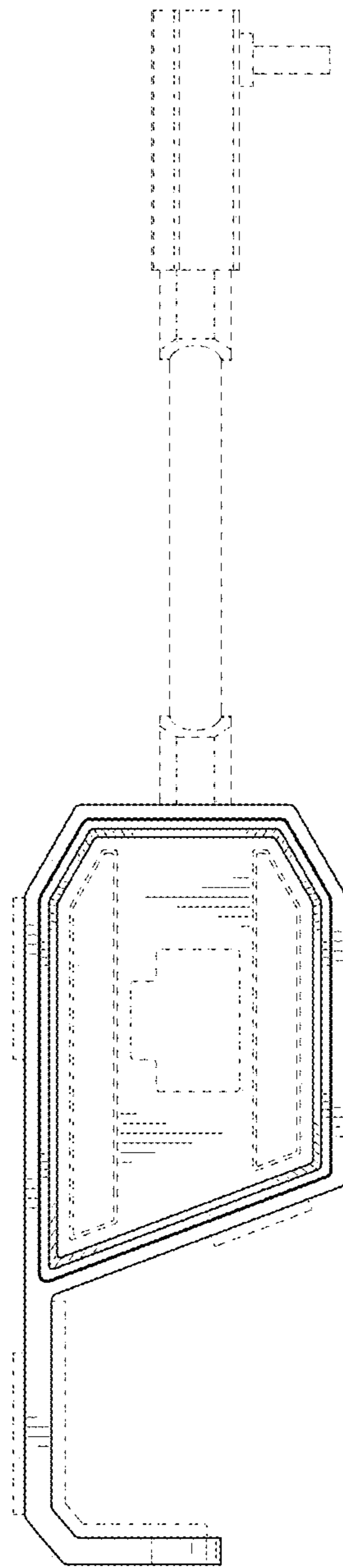


FIG. 5

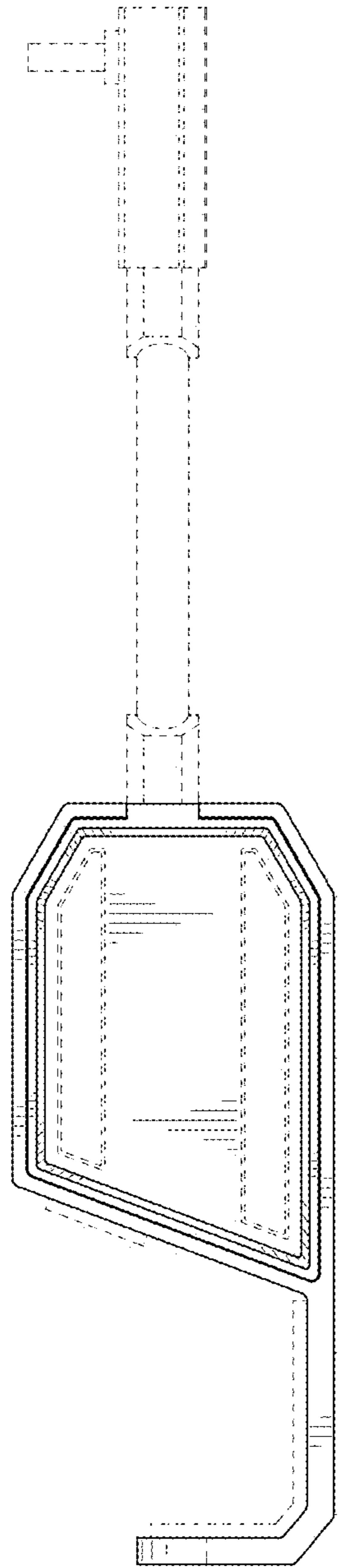


FIG. 6

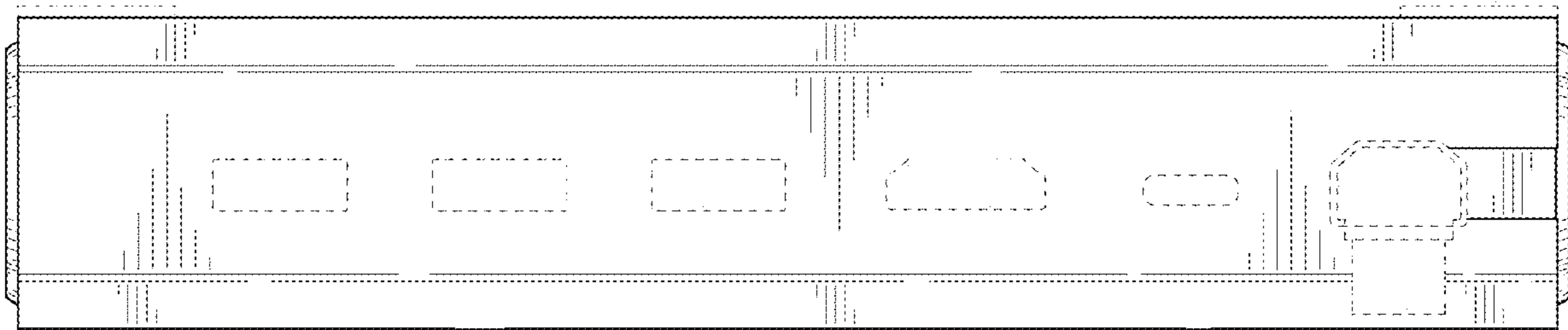


FIG. 7

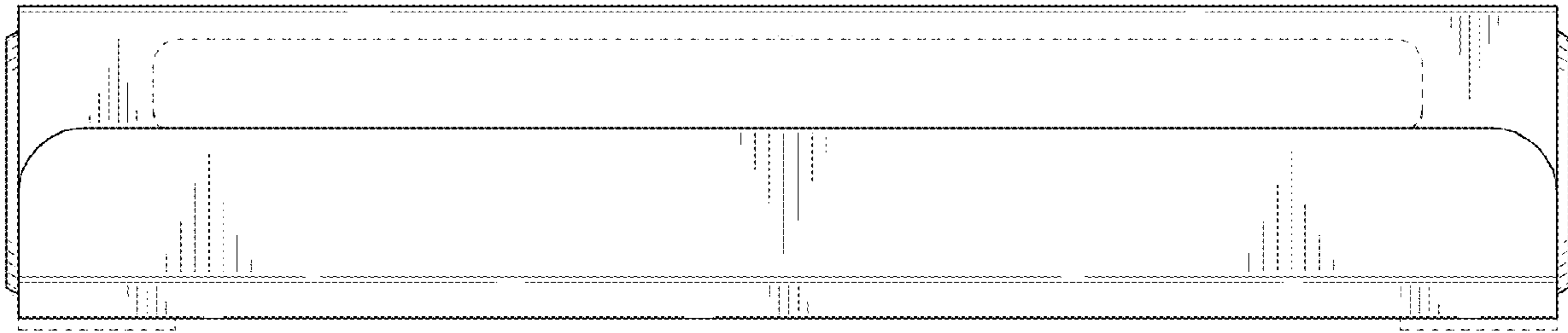


FIG. 8

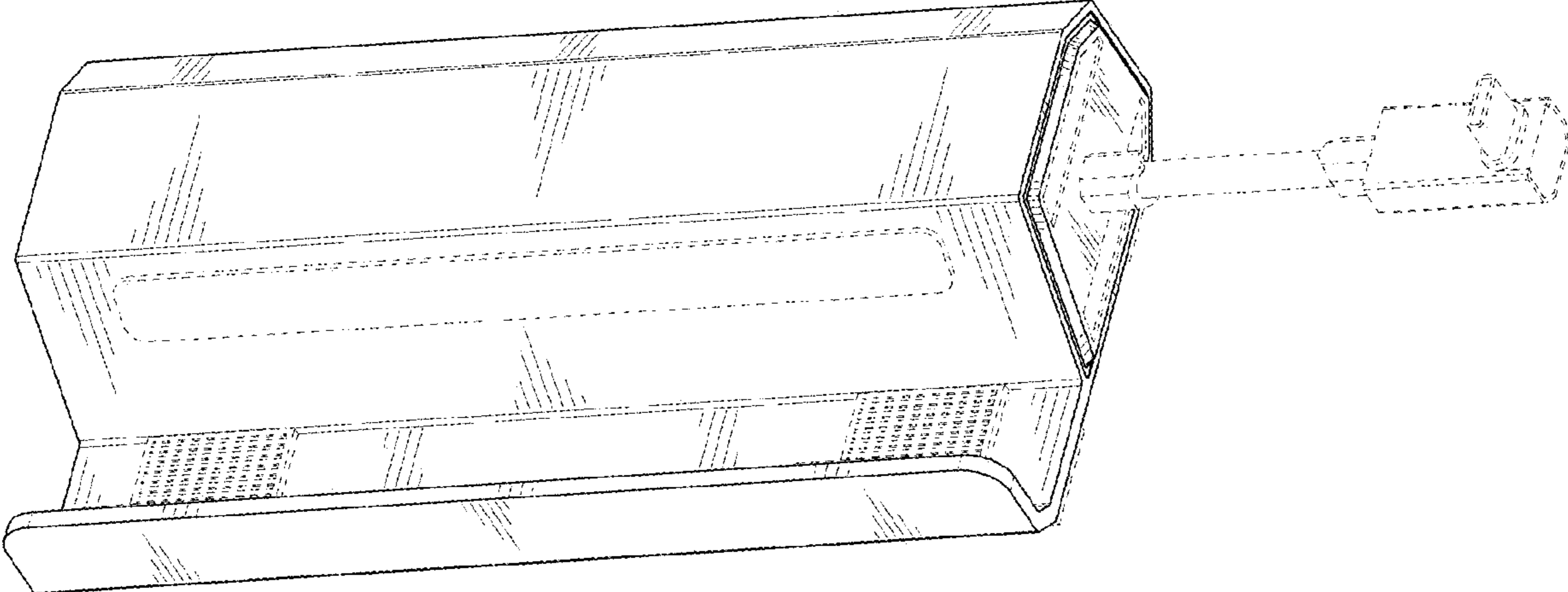


FIG. 9