



US00D982012S

(12) **United States Design Patent** (10) **Patent No.:** **US D982,012 S**
Xu et al. (45) **Date of Patent:** **** Mar. 28, 2023**

(54) **BARCODE SCANNER**

(71) Applicant: **Hand Held Products, Inc.**, Fort Mill, SC (US)

(72) Inventors: **Chang Xu**, Shanghai (CN); **Nikhil Banwaskar**, Shanghai (CN); **Liang Li**, Shanghai (CN); **Erik Van Horn**, Ocean View, NJ (US); **Manxia Liu**, Shanghai (CN)

(73) Assignee: **HAND HELD PRODUCTS, INC.**, Charlotte, NC (US)

(**) Term: **15 Years**

(21) Appl. No.: **29/846,614**

(22) Filed: **Jul. 18, 2022**

Related U.S. Application Data

(63) Continuation of application No. 29/771,064, filed on Feb. 19, 2021, now Pat. No. Des. 961,593.

(51) **LOC (14) Cl.** **14-02**

(52) **U.S. Cl.**
USPC **D14/420**

(58) **Field of Classification Search**
USPC D14/420, 426-430, 453; 235/462.01, 235/462.11, 462.43, 462.45, 462.49, 235/472.01, 385, 454, 435, 439-441, 375, 235/444, 456, 459, 462.14, 462.17, 462.2, 235/462.21, 490, 494, 476, 462.22, 235/462.32, 462.35; 382/313, 321, 318; 358/473; 250/215, 216, 566, 239, 221; D26/37-50, 24; 362/157, 158, 171-174, 362/183-208; 396/427; D24/158; D10/46; D16/219, 208, 202
CPC .. G06K 7/1417; G06K 7/1404; G06K 7/1408; G06K 7/1413; G06K 7/1495; G06K 7/10722; G06K 7/10752; G06K 7/10732; G06K 7/10544; G06K 7/10574; G06K 7/10742; G06K 7/10831; G06K 7/10821; G06K 7/10584; G06K 7/10613; G06K

7/10881; G06K 7/109; G06K 7/10693; G06K 7/10871; G06K 7/1096; G06K 7/10; G06K 7/10564; G06K 7/10594; G06K 7/10603; G06K 7/10663; G06K 7/10673; G06K 7/10702; G06K 7/10792; G06K

(Continued)

(56) **References Cited**

U.S. PATENT DOCUMENTS

D312,829 S * 12/1990 Kuroki D16/214
D325,729 S * 4/1992 Forsythe D14/420

(Continued)

OTHER PUBLICATIONS

Alacrity Barcode Scanner, https://www.amazon.com/Barcode-Omnidirectional-Hands-Free-Automatic-Computer/dp/B07D72GF2R/ref=asc_df_B07D72GF2R/ May 2018 (Year: 2018).*

(Continued)

Primary Examiner — Susan Moon Lee

(74) *Attorney, Agent, or Firm* — Alston & Bird LLP

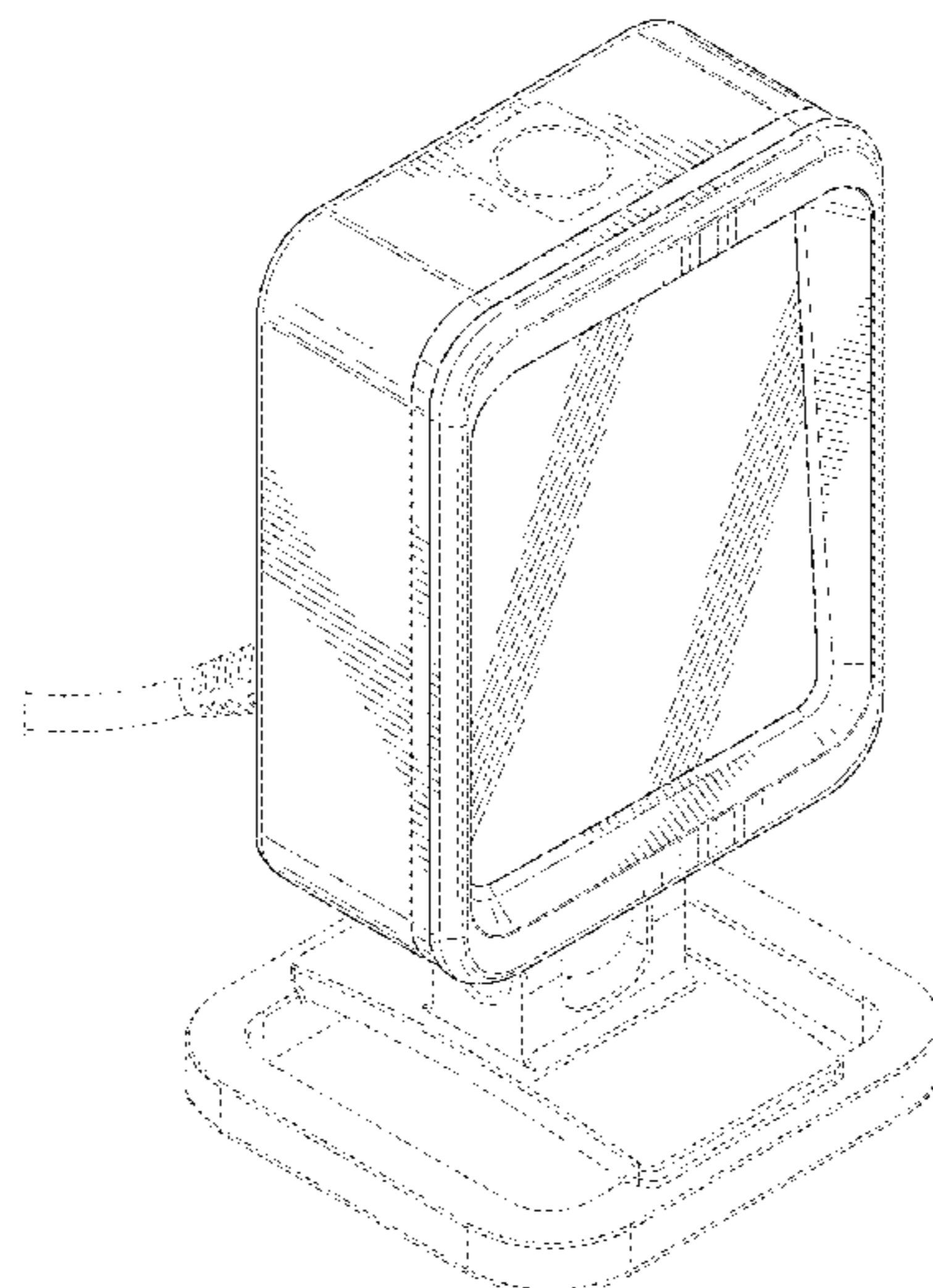
(57) **CLAIM**

We claim the ornamental design for a barcode scanner, as shown and described.

DESCRIPTION

FIG. 1 is a perspective view of a barcode scanner showing our new design from the front, top, and left side; FIG. 2 is a front elevation view thereof; FIG. 3 is a rear elevation view thereof; FIG. 4 is a left side elevation view thereof; FIG. 5 is a right side elevation view thereof; FIG. 6 is a top plan view thereof; and, FIG. 7 is a bottom plan view thereof. The broken lines are directed to features of the barcode scanner that form no part of the claimed design.

1 Claim, 7 Drawing Sheets



(58) **Field of Classification Search**

CPC 7/10633; G06K 7/10653; G06K 7/10891;
 G06K 7/14; G06K 7/1443; G06K
 7/10801; G06K 7/10811; G06K 7/10851;
 G06K 7/10861; G06K 2207/1011; G06K
 2207/1012; G06K 2207/1013; G06K
 2207/1016; G06K 2207/1017; G06K
 2207/1018; G06K 2207/10534; G06K
 17/0022; G06K 7/04; G06K 7/1447;
 G06K 7/10623; G06K 7/10683; A47F
 9/046; A47F 9/047; G07G 1/0045; G04N
 5/23238; G04N 5/2252; G04N 5/2251;
 G03B 17/02; B25H 5/00; B66F 7/28;
 G02B 26/10; G02B 26/106; G02B 1/08;
 G02B 19/0095; G02B 19/0028; G02B
 19/0076; G07F 11/002; G07F 11/02;
 G06Q 20/343; G06Q 10/08; G06F
 2203/0331; G01V 8/10; G01D 11/245;
 G01D 11/28

See application file for complete search history.

(56) **References Cited**

U.S. PATENT DOCUMENTS

D359,483 S * 6/1995 Saunders D14/420
 D454,879 S * 3/2002 Lin D14/421
 6,575,368 B1 * 6/2003 Tamburrini G06K 7/1096
 235/462.25
 D557,320 S * 12/2007 Fisher D16/242
 D557,321 S * 12/2007 Fisher D16/242
 D595,328 S * 6/2009 Kim D16/219
 D602,913 S * 10/2009 Han D14/217
 D614,223 S * 4/2010 Kim D16/202
 D624,108 S * 9/2010 Wang D16/219
 D624,109 S * 9/2010 Wang D16/242
 D647,934 S * 11/2011 Raken D16/202
 D649,573 S * 11/2011 Al D16/202
 8,186,592 B2 * 5/2012 Fletcher G07G 1/0045
 235/462.01
 D672,167 S * 12/2012 Dantus D6/683
 8,381,979 B2 * 2/2013 Franz G06K 7/0004
 235/462.43
 8,408,464 B2 * 4/2013 Zhu H04N 5/2353
 235/455
 8,479,992 B2 * 7/2013 Kotlarsky G06K 7/10821
 235/462.07
 D689,478 S * 9/2013 Wikel D14/253
 D697,119 S * 1/2014 Park D16/202
 8,681,268 B2 * 3/2014 Reznik G06T 11/60
 348/207.1
 8,844,812 B1 * 9/2014 Rivera G06Q 20/3274
 235/455
 D720,790 S * 1/2015 Licitra D16/208
 D721,371 S * 1/2015 Rivera D14/420
 D721,754 S * 1/2015 Chen D16/202
 D724,088 S * 3/2015 Giometti D14/420
 D733,781 S * 7/2015 Chen D16/202
 D735,197 S * 7/2015 Fukuba D14/420
 D736,292 S * 8/2015 Fengmin D16/203
 D741,932 S * 10/2015 Huang D16/202
 D755,876 S * 5/2016 Moss D16/214
 D809,045 S * 1/2018 Jou D16/202
 D818,028 S * 5/2018 Ramones D16/202
 D819,715 S * 6/2018 Laurans D16/203
 D820,257 S * 6/2018 Meurer D24/185
 10,176,351 B2 * 1/2019 Volta G06K 7/109
 D849,104 S * 5/2019 Wong D16/215
 D858,603 S * 9/2019 Ye D16/203
 D865,840 S * 11/2019 White D16/203
 D891,431 S * 7/2020 Lacovitti D14/420
 D893,575 S * 8/2020 Kyte D16/202
 D898,098 S * 10/2020 White D16/203
 D902,973 S * 11/2020 Homza D16/202

D910,635 S * 2/2021 Lee D14/420
 D913,286 S * 3/2021 Thompson D14/420
 D914,076 S * 3/2021 Abel D16/202
 D923,077 S * 6/2021 Pritikin D16/214
 D930,062 S * 9/2021 Abel D16/202
 11,176,341 B2 * 11/2021 Utykanski G06K 7/10722
 D961,593 S * 8/2022 Xu D14/420
 2007/0297788 A1 * 12/2007 Wahl H04N 5/2252
 396/419
 2008/0277473 A1 * 11/2008 Kotlarsky G06K 7/10752
 235/462.07
 2008/0296388 A1 * 12/2008 Drzymala G06K 7/10861
 235/462.42
 2008/0302873 A1 * 12/2008 Kotlarsky G06K 7/10732
 235/462.15
 2012/0049052 A1 * 3/2012 Handshaw G06K 7/10831
 250/239
 2012/0085824 A1 * 4/2012 Handshaw G06K 7/10792
 235/462.31
 2012/0145788 A1 * 6/2012 Horn G06K 7/10821
 235/462.07
 2013/0292475 A1 * 11/2013 Kotlarsky G06K 7/10821
 235/462.43
 2013/0311314 A1 * 11/2013 Fernando G06K 7/10386
 705/17
 2014/0097337 A1 * 4/2014 Handshaw G06K 7/10752
 250/271
 2014/0263608 A1 * 9/2014 Rivera G06Q 20/385
 235/375
 2015/0109441 A1 * 4/2015 Fujioka H04N 5/33
 348/143
 2016/0350563 A1 * 12/2016 Ye G06K 7/1091
 2018/0285613 A1 * 10/2018 Volta G06K 19/06009
 2020/0184159 A1 * 6/2020 Handshaw G06K 7/109
 2020/0184164 A1 * 6/2020 Utykanski G06K 7/10821
 2020/0380225 A1 * 12/2020 Utykanski G06K 7/10821

OTHER PUBLICATIONS

Symcode Barcode Scanner, https://www.amazon.com/dp/B06XD983YF/ref=sspa_dk_detail_4 Sep. 2016 (Year: 2016).
 Examination Report issued in European Union Application No. 008437792-0001/0002 dated May 3, 2021, 7 pages.
 Examination Report issued in United Kingdom Application No. 6129470 dated May 18, 2021, 2 pages.
 HP, “QuickSpecs, Datalogic Magellan 3450Vsi Presentation Scanner”, dated Nov. 9, 2021, retrieved from the Internet at <URL: <https://www8.hp.com/h20195/v2/GetDocument.aspx?docname=c06500782>> on Dec. 5, 2022, 5 pages.
 Notice of Allowance received for U.S. Appl. No. 29/771,064, dated Apr. 20, 2022, 11 pages.
 Notice of Amendment issued in Chinese Application No. 202030494846.1 dated Apr. 14, 2021, 1 page.
 Notification to Grant Patent Right issued in Chinese Application No. 202030494846.1 dated Jul. 23, 2021, 6 pages.
 Zebra Technologies Corporation, “DS457 Mount Imager Integration Guide, Rev. A”, dated Mar. 2021, retrieved from the Internet at <URL: https://www.zebra.com/content/dam/zebra_new_ia/en-US/manuals/barcode-scanners/fix-mount/ds457/ds457-integration-guide-en-US.pdf> on Dec. 5, 2022, 442 pages.
 Zebra Technologies Corporation, “DS7708 2D Vertical Slot Scanner Product Reference Guide, Rev. A”, dated Apr. 2020, retrieved from the Internet at <URL: https://www.zebra.com/content/dam/zebra_new_ia/en-US/manuals/barcode-scanners/ds7708-2d-vertical-slot-scanner-product-reference-guide-en-US.pdf> on Dec. 5, 2022, 684 pages.
 Zebra Technologies Corporation, “DS9308 Imaging Scanner Product Reference Guide, MN-003532-04EN Rev. A”, dated Apr. 2021, retrieved from the Internet at <URL: https://www.zebra.com/content/dam/zebra_new_ia/en-US/manuals/barcode-scanners/general/ds9308/ds9308-prg-en.pdf> on Dec. 5, 2022, 559 pages.
 Zebra Technologies Corporation, “MS4717 Fixed Mount Imager Integration Guide, Rev. A”, dated Jul. 2021, retrieved from the

(56)

References Cited

OTHER PUBLICATIONS

Internet at <URL: https://www.zebra.com/content/dam/zebra_new_ia/en-US/manuals/oem/ms4717-ig-en.pdf> on Dec. 5, 2022, 417 pages.

U.S. Appl. No. 29/771,064, filed Feb. 19, 2021, U.S. Pat. No. D. 961,593, Patented.

* cited by examiner

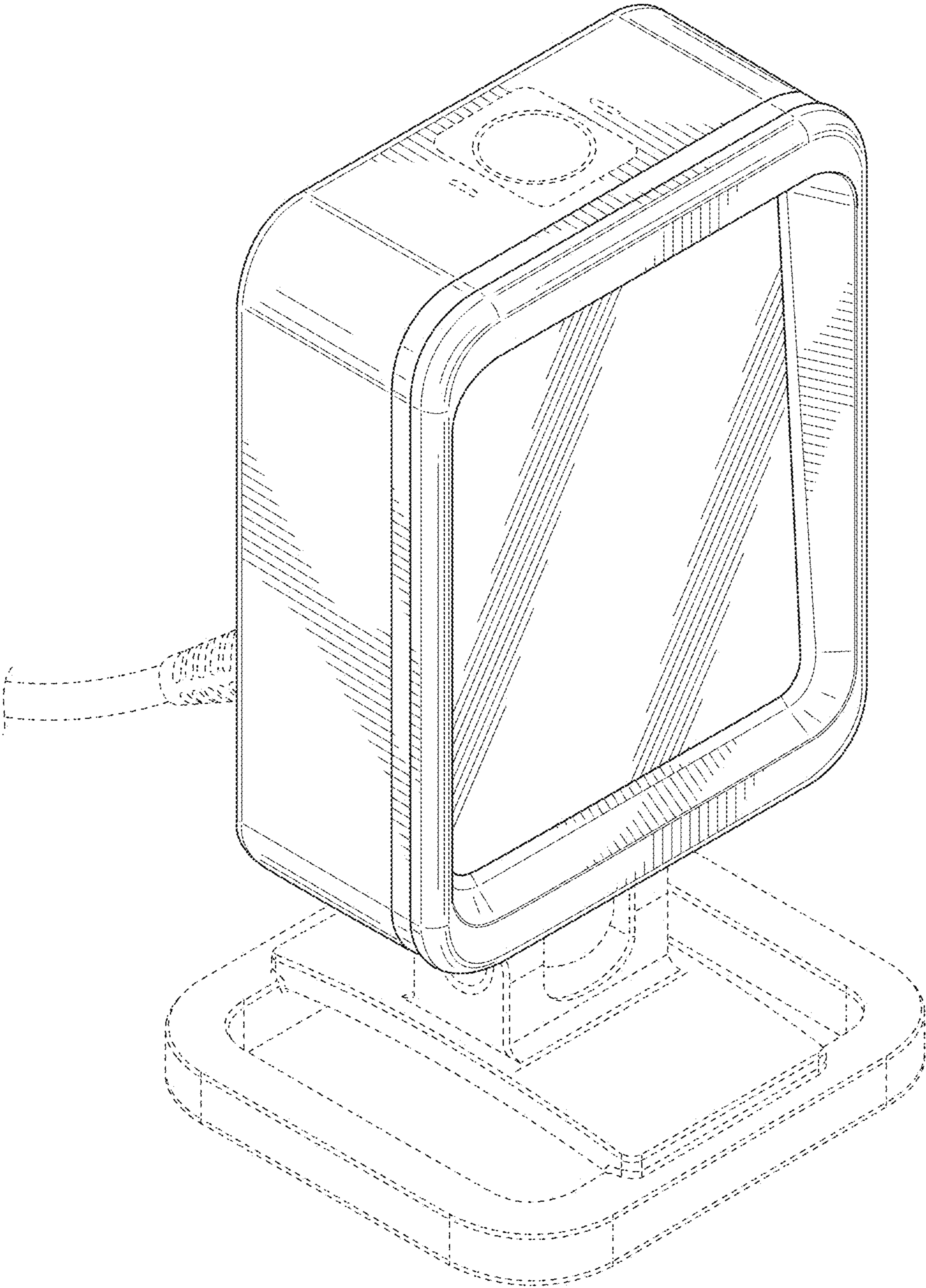


FIG. 1

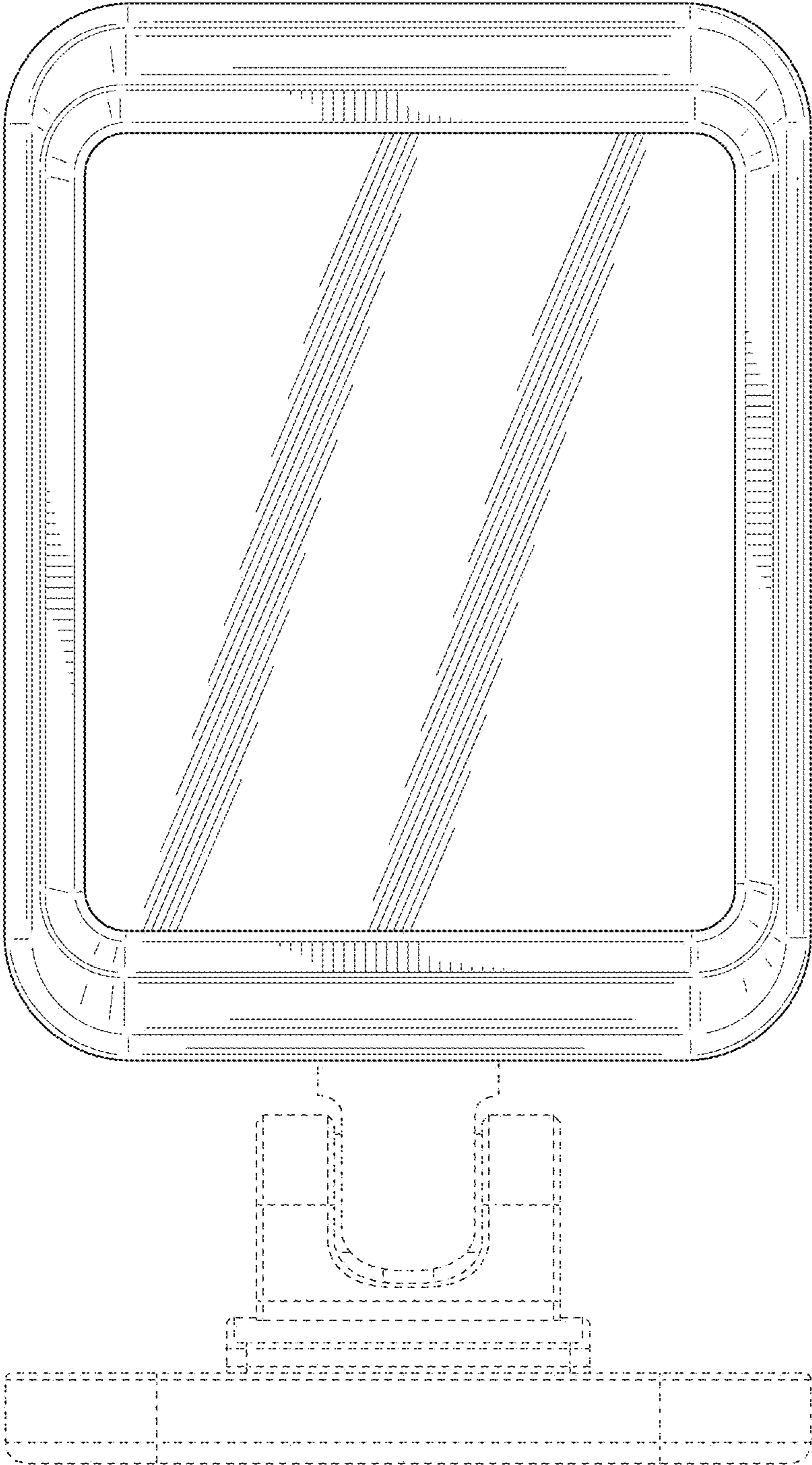


FIG. 2

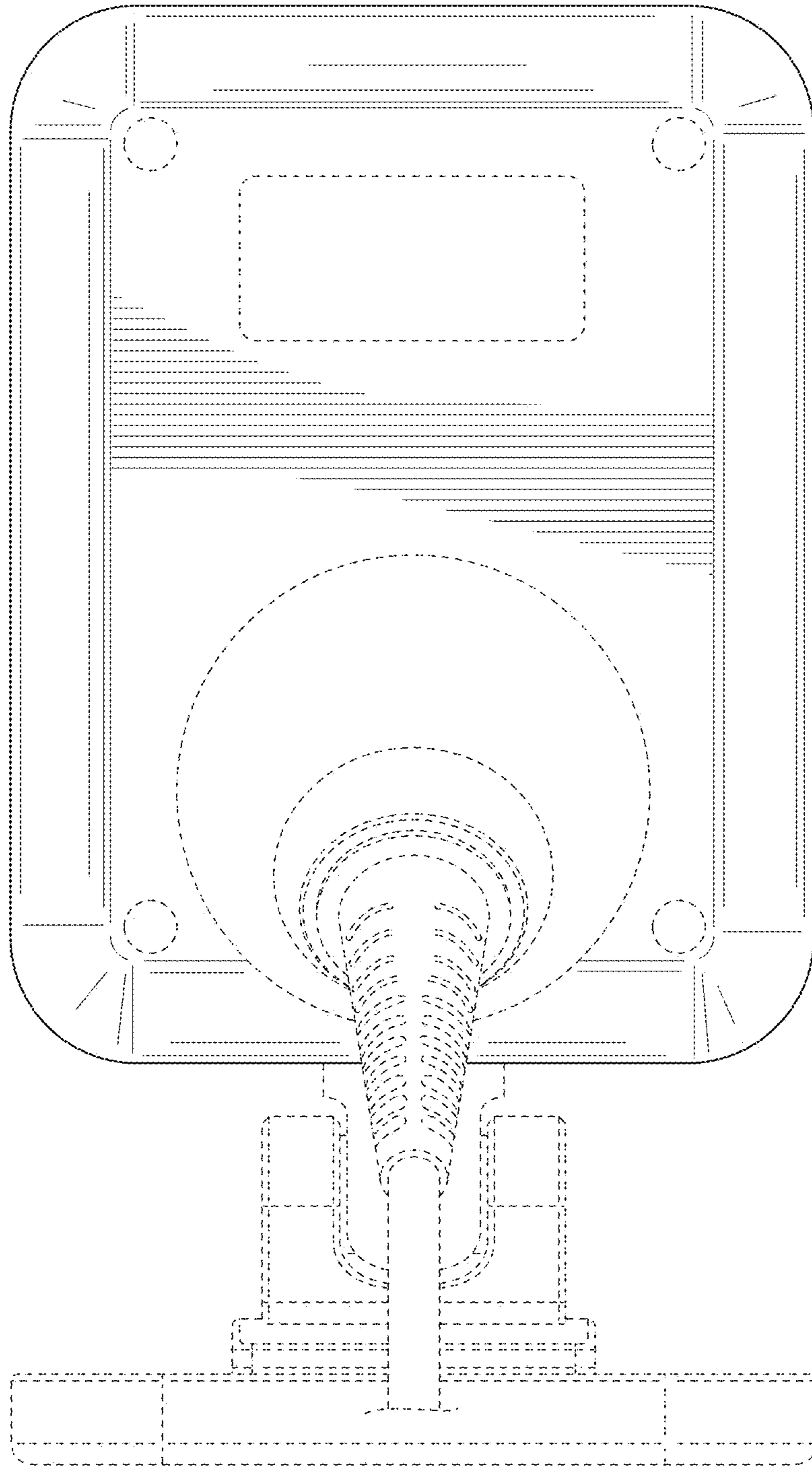


FIG. 3

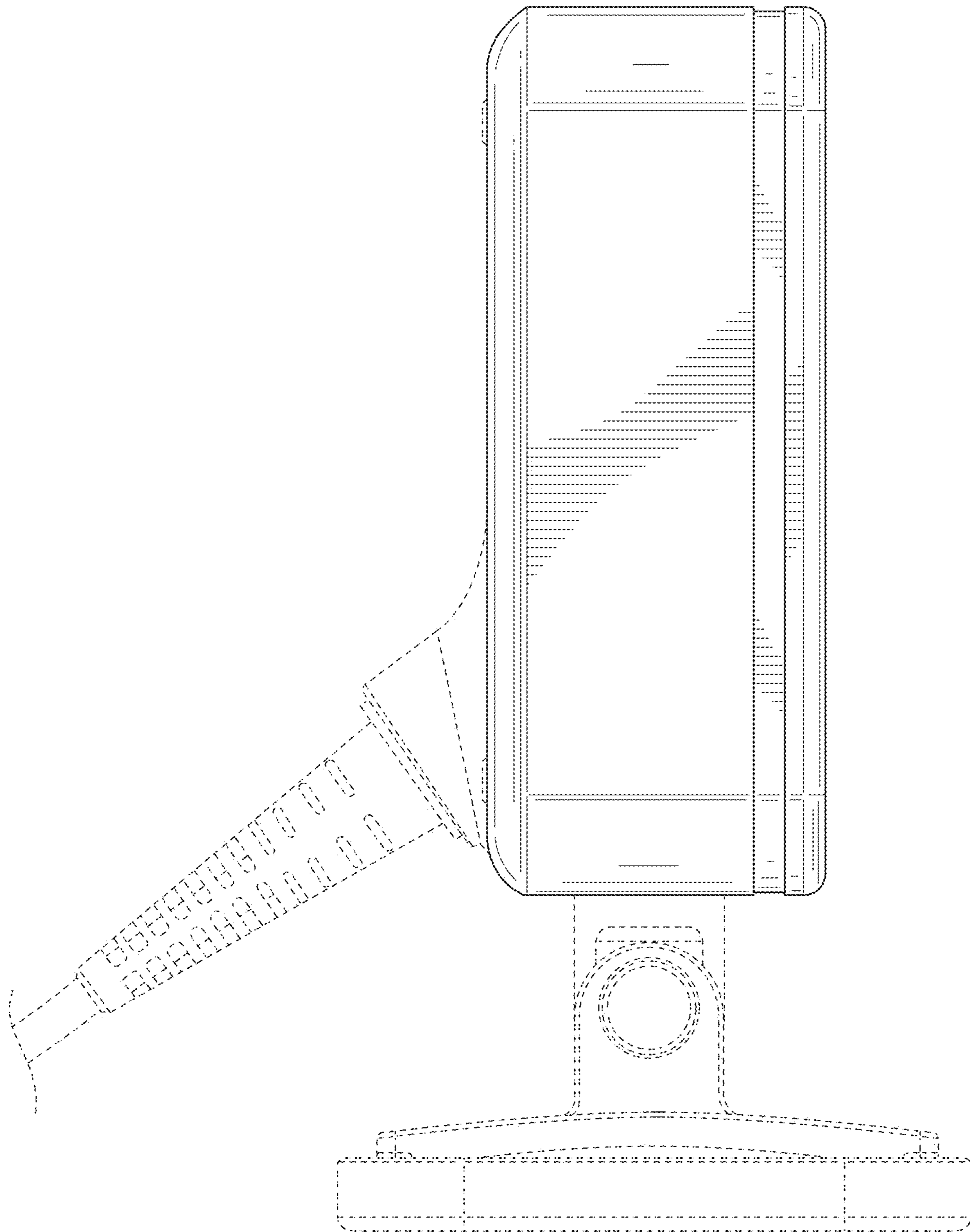


FIG. 4

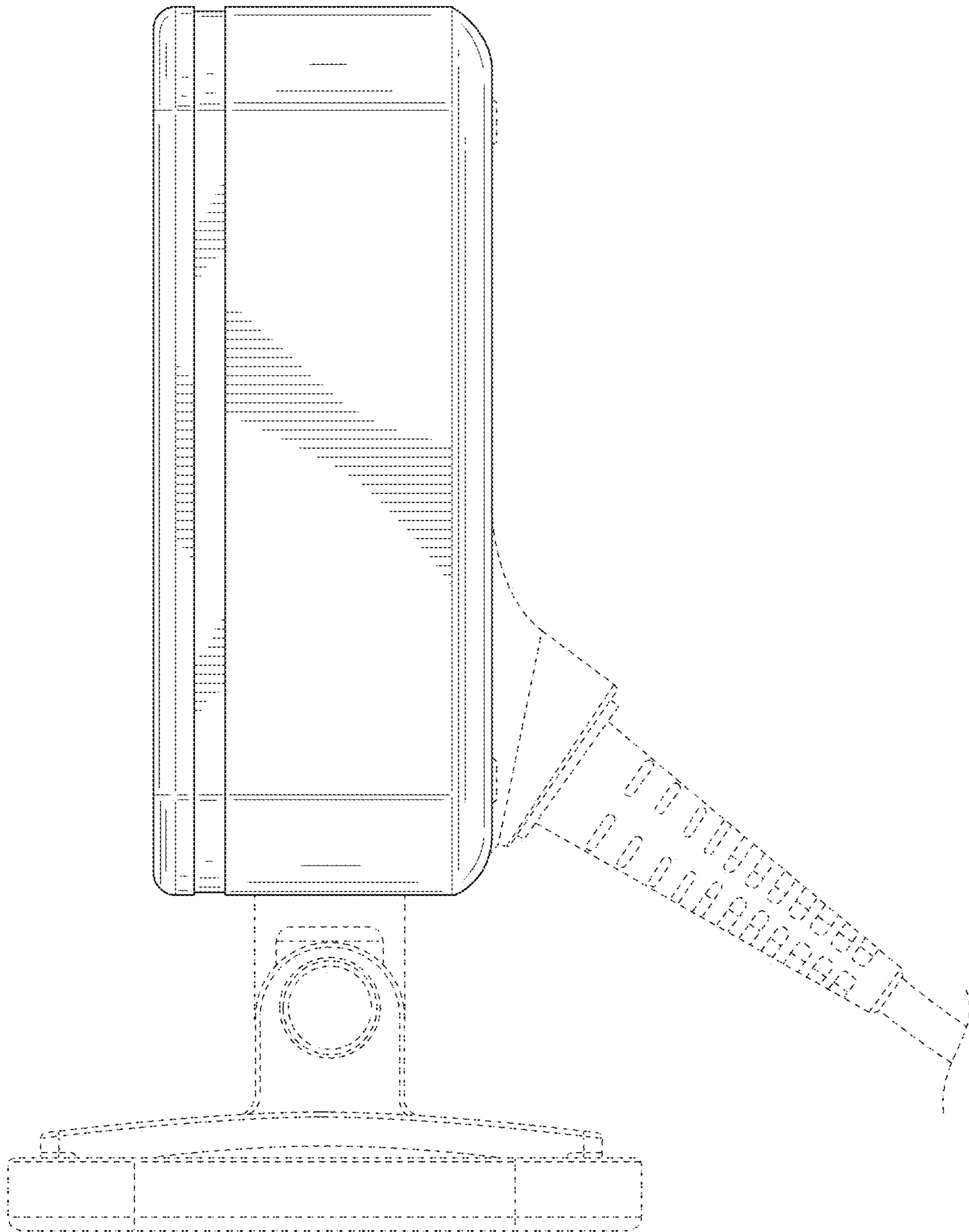


FIG. 5

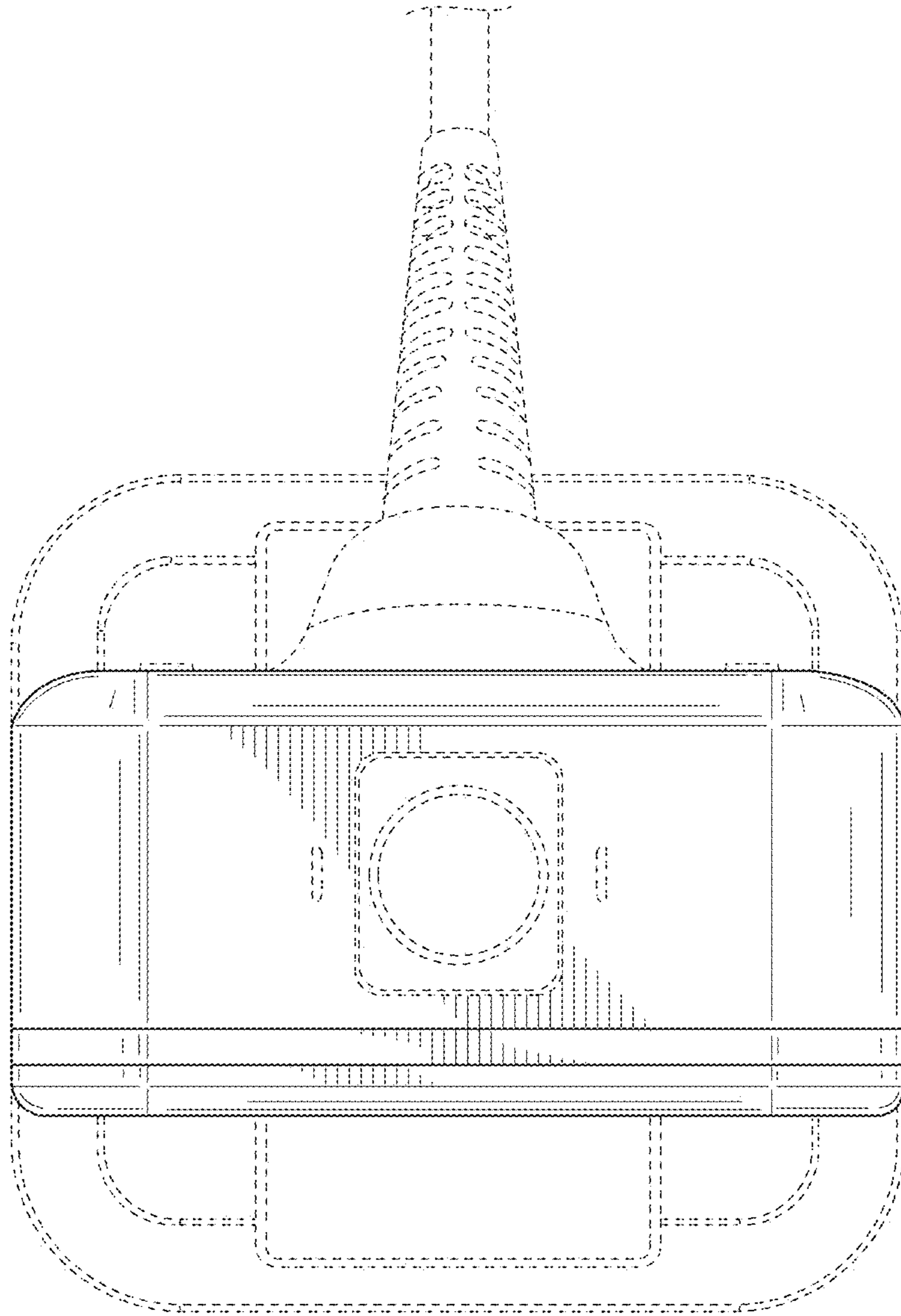


FIG. 6

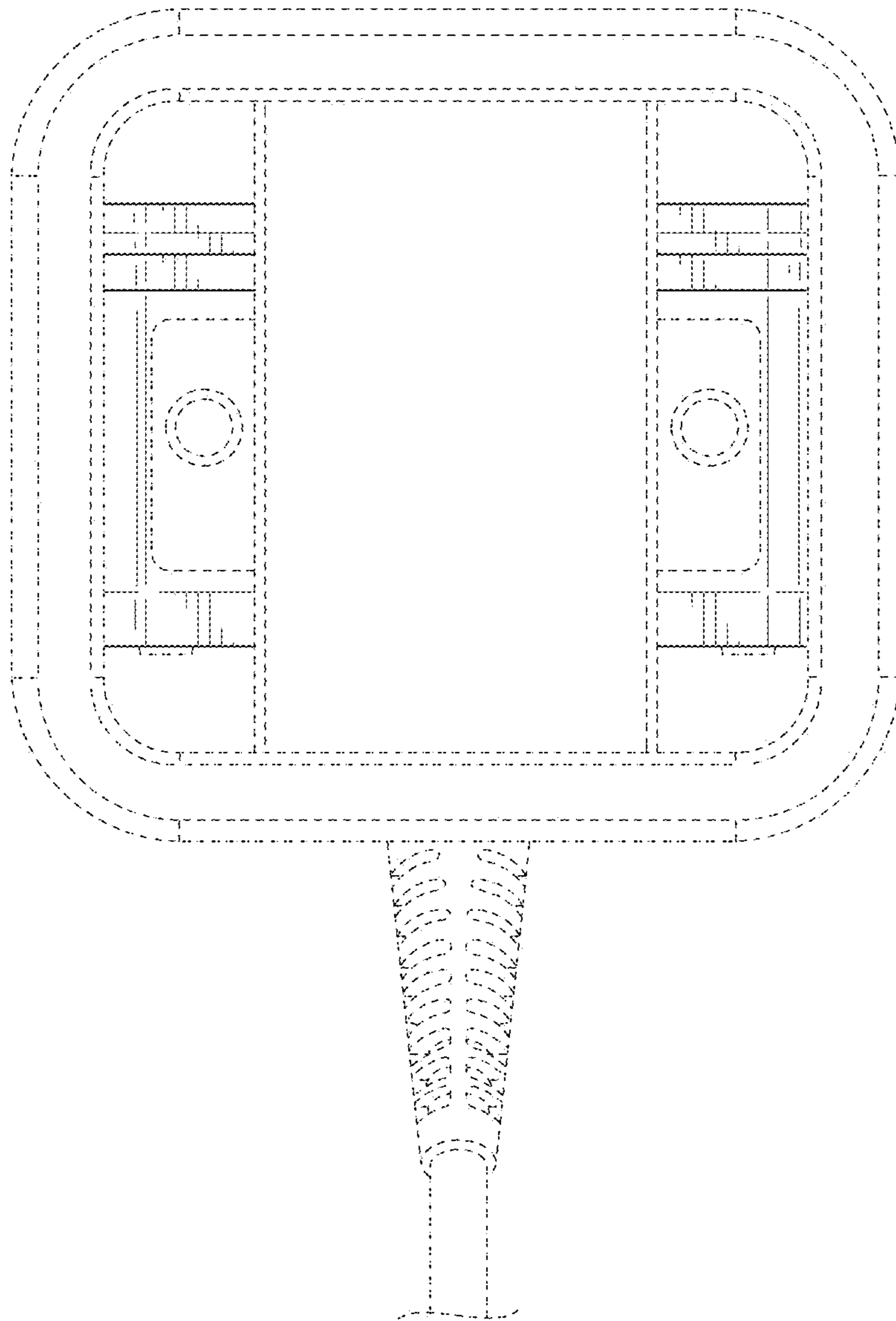


FIG. 7