



US00D982004S

(12) **United States Design Patent**
Wang

(10) **Patent No.:** **US D982,004 S**
(45) **Date of Patent:** **** Mar. 28, 2023**

(54) **BLUETOOTH INTERPHONE**

(71) Applicant: **Ming Wang**, Guangdong (CN)

(72) Inventor: **Ming Wang**, Guangdong (CN)

(73) Assignee: **DONGGUAN IUTOO TECHNOLOGY CO., LTD**, Dongguan (CN)

(**) Term: **15 Years**

(21) Appl. No.: **29/718,987**

(22) Filed: **Dec. 31, 2019**

(30) **Foreign Application Priority Data**

Dec. 5, 2019 (CN) 201930677015.5

(51) **LOC (14) Cl.** **14-02**

(52) **U.S. Cl.**
USPC **D14/341**; D14/223; D14/159

(58) **Field of Classification Search**
USPC D14/432-343, 357, 344, 140, 496, 401, D14/435, 474, 483, 209.1, 137, 138, D14/158-160, 356, 203.1-203.8, 507, D14/155, 160-172, 212-218, 257, 258, D14/341, 346, 299, 266, 358, 454-445, D14/192, 221, 127-130, 211, 240, 243, D14/247-249, 251, 329, 455, 206, 204, D14/188, 147-151, 144, 142, 141.1, D14/138 R, 138 AA, 138 AB, 138 G, D14/138 AD; D3/215, 218, 904; D21/517, 333, 331, 566; D24/165, 185, D24/186; D18/1, 7; D10/104, 104.1, D10/106, 65, 78, 104.2, 70, 31-32, D10/38-38, 106.1, 106.3, 106.5;
(Continued)

(56) **References Cited**

U.S. PATENT DOCUMENTS

D573,138 S * 7/2008 Goransson D14/223
D846,525 S * 4/2019 Wu D14/159
(Continued)

FOREIGN PATENT DOCUMENTS

CN 201230185885.9 * 9/2012
CN 201230185887.8 * 10/2012
CN 201630119769.5 * 9/2016

OTHER PUBLICATIONS

V6 Motorcycle Bluetooth Intercom, first available Jun. 26, 2017, amazon.com, [online], [site visited Jun. 16, 2022], Available from internet URL:https://www.amazon.com/Motorcycle-Bluetooth-Real-Time-Motorbike-Communicator/dp/B073CHKS5K (Year: 2017).*
(Continued)

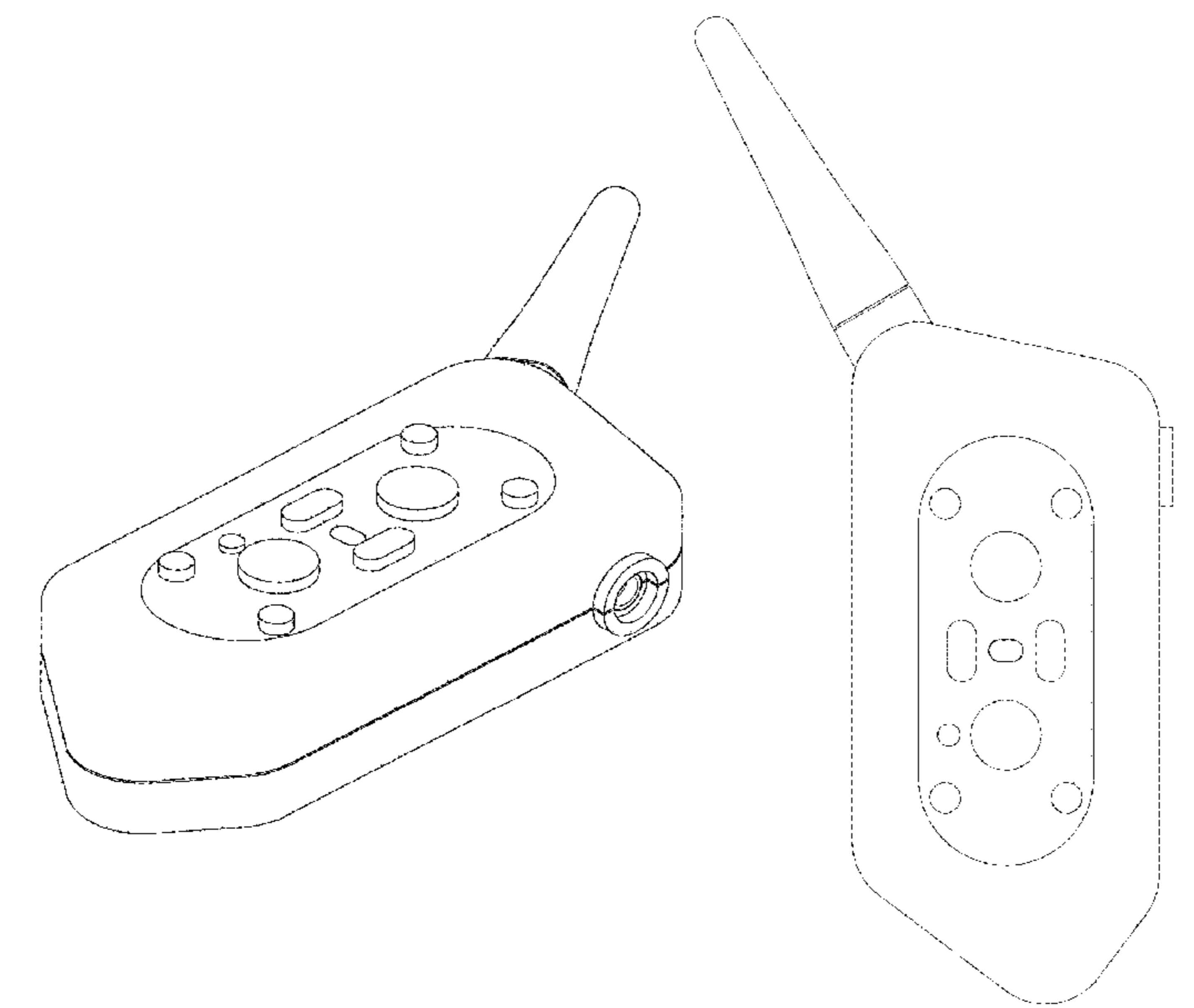
Primary Examiner — Samantha Q Lawrence
Assistant Examiner — Holly M Rodriguez
(74) *Attorney, Agent, or Firm* — Georgi Korobanov

(57) **CLAIM**
The ornamental design for a Bluetooth interphone, as shown and described.

DESCRIPTION

FIG. 1 is a perspective view of a Bluetooth interphone showing my new design;
FIG. 2 is a front elevation view thereof;
FIG. 3 is a rear elevation view thereof;
FIG. 4 is a left side elevation view thereof;
FIG. 5 is a right side elevation view thereof;
FIG. 6 is a top plan view thereof; and,
FIG. 7 is a bottom plan view thereof.
The broken lines in the drawings illustrate portions of the Bluetooth interphone that form no part of the claimed design.

1 Claim, 5 Drawing Sheets



(58) **Field of Classification Search**

USPC D13/168; D11/3-5, 12, 19, 25;
D30/151-152
CPC H04M 1/00; H04M 1/026; H04M 1/04;
H04M 1/6033; H04M 1/6041; H04M
3/02; H04M 3/005; H04M 3/56; H04M
3/564; H04M 3/568; H04M 9/02; H04M
9/022; H04M 9/08; H04M 1/003; H04M
1/02; H04M 1/03; H04M 1/0202; H04M
1/0295; H04M 1/0297; H04M 1/20;
H04M 1/21; H04M 1/22; H04M 1/23;
H04M 1/233; H04M 1/236; H04M
1/0289; H04M 1/0214; H04M 1/253;
H04M 1/2535; H04M 7/006; H04R 1/00;
H04R 1/02; H04R 1/403; H04R 1/406;
H04N 7/14; H04N 7/142; H04N 7/147;
H01R 25/006; H01R 27/02; H01R
31/005; G06F 13/4022; G06F 13/382;
G06F 1/1632; G06F 1/1684; G06F 1/20;
G06F 1/1607

See application file for complete search history.

(56)

References Cited

U.S. PATENT DOCUMENTS

D905,020 S * 12/2020 Du D14/223
D947,157 S * 3/2022 Choe D14/223

OTHER PUBLICATIONS

Teleheer V6 Bluetooth Headset for Motorcycle Helmet, first available Apr. 25, 2022, amazon.com, [online], [site visited Jun. 16, 2022], Available from internet URL: https://www.amazon.com/dp/B09YRCFNW5/ref=sspa_dk_detail_1?pd_rd_i=B09YRCFNW5&pd_rd_w=UJ48z&content-id=amzn1.sym.3be1c5b9-5b41%E2%80%A6&th=1 (Year: 2022).*

Ejeas V6 Pro Motorcycle Helmet Bluetooth Intercom Headset, first available Mar. 25, 2018, amazon.com, [online], [site visited Jun. 16, 2022], Available from internet URL: <https://www.amazon.com/EJEAS-Motorcycle-Bluetooth-Interphone-Communication/dp/B07C98B7NX?th=1> (Year: 2018).*

* cited by examiner

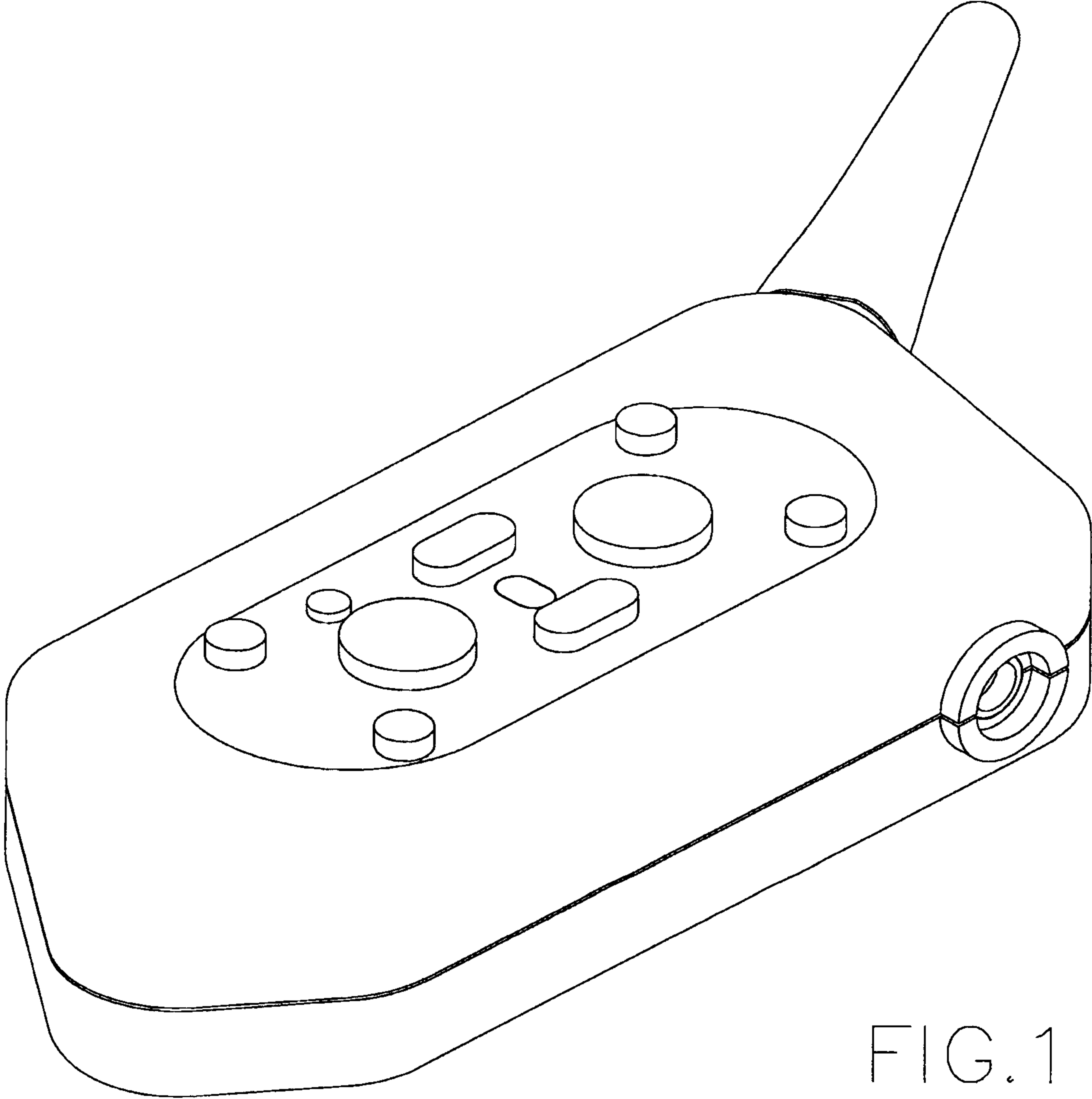


FIG. 1

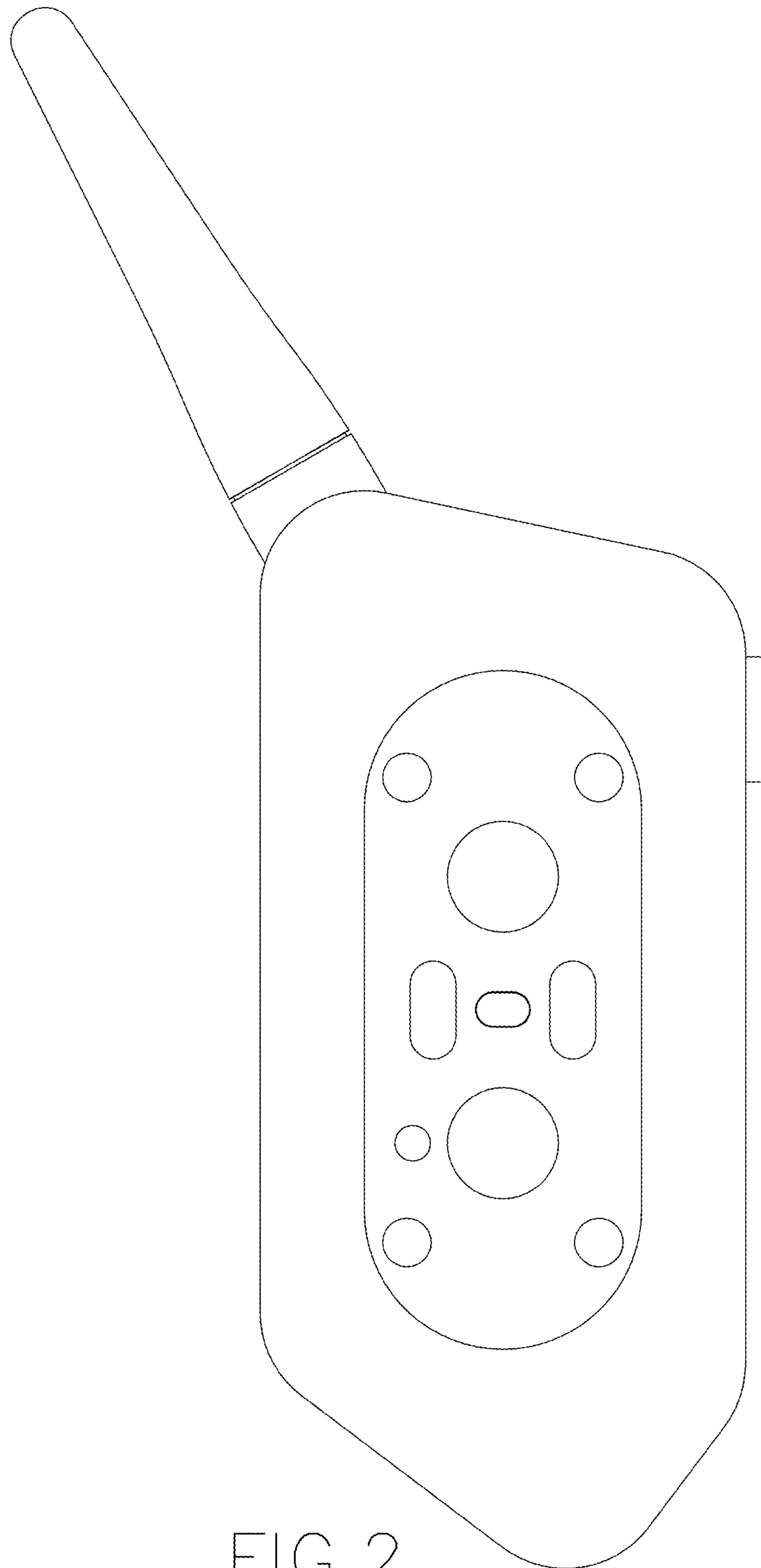


FIG. 2

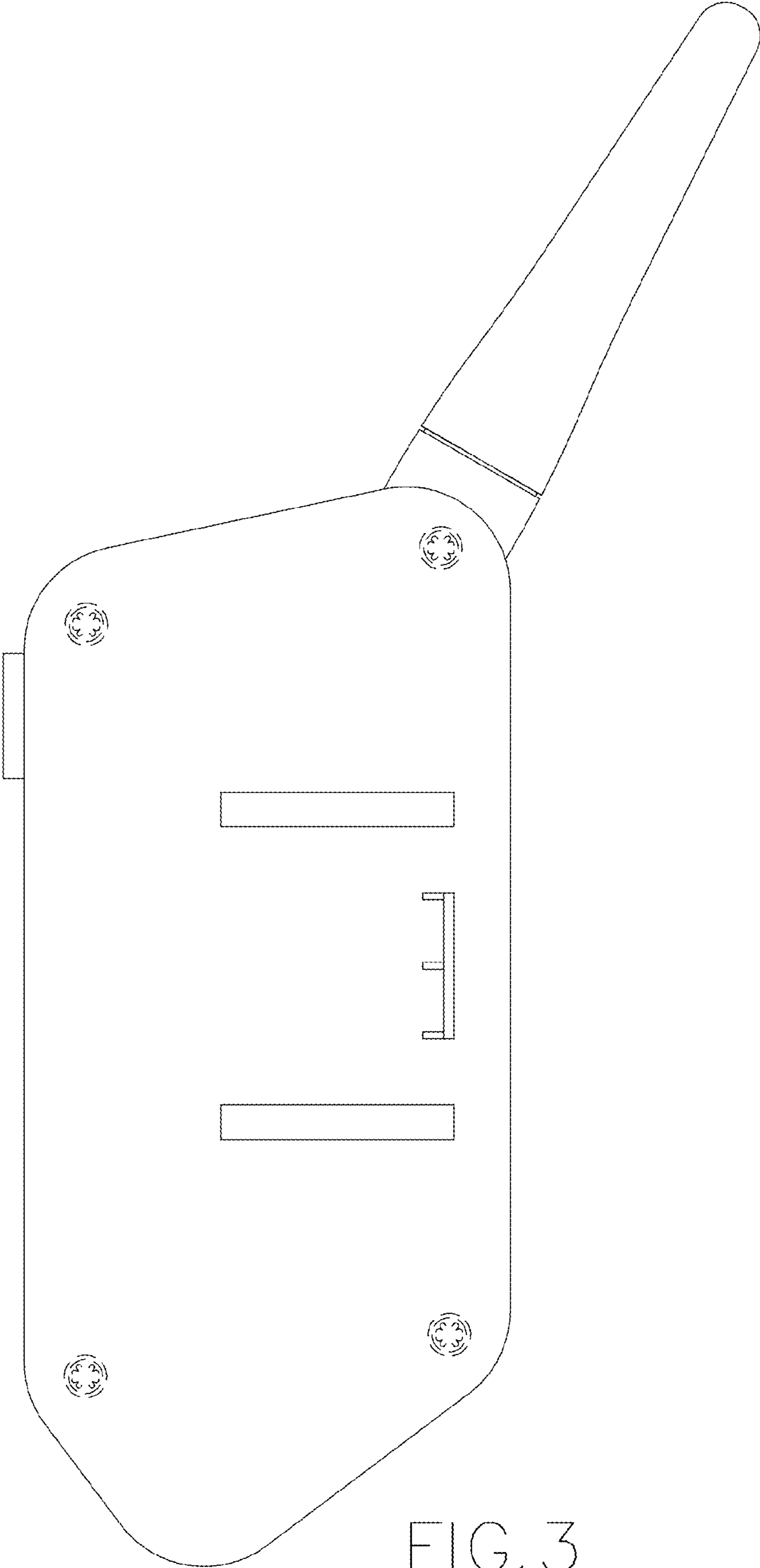


FIG. 3

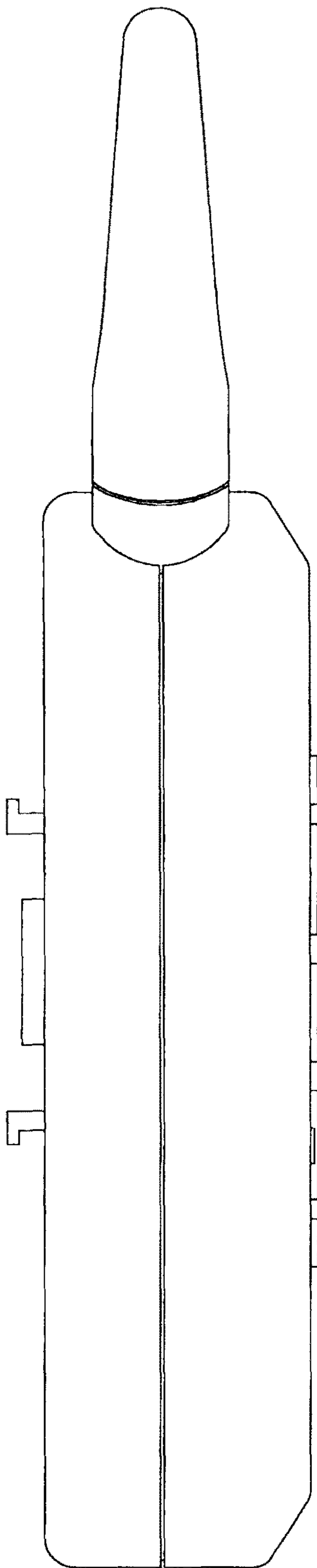


FIG. 4

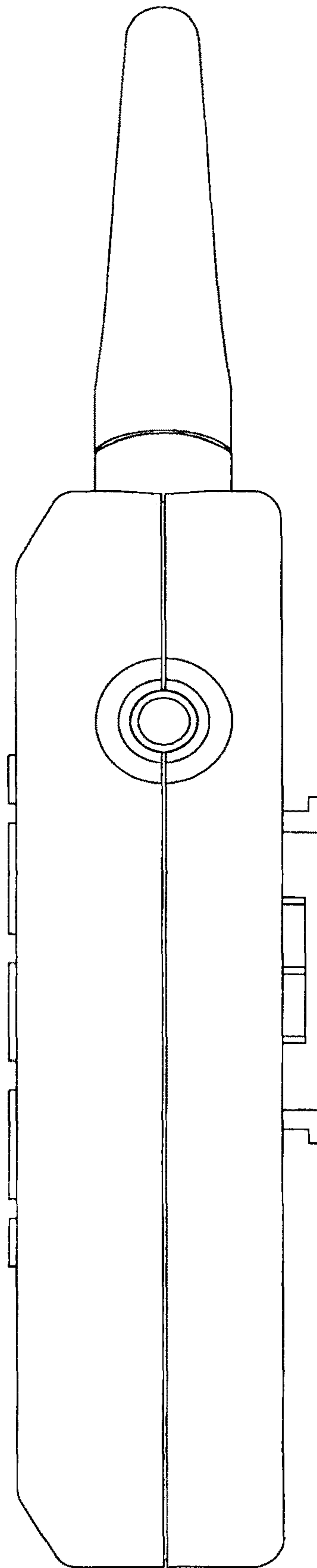


FIG. 5

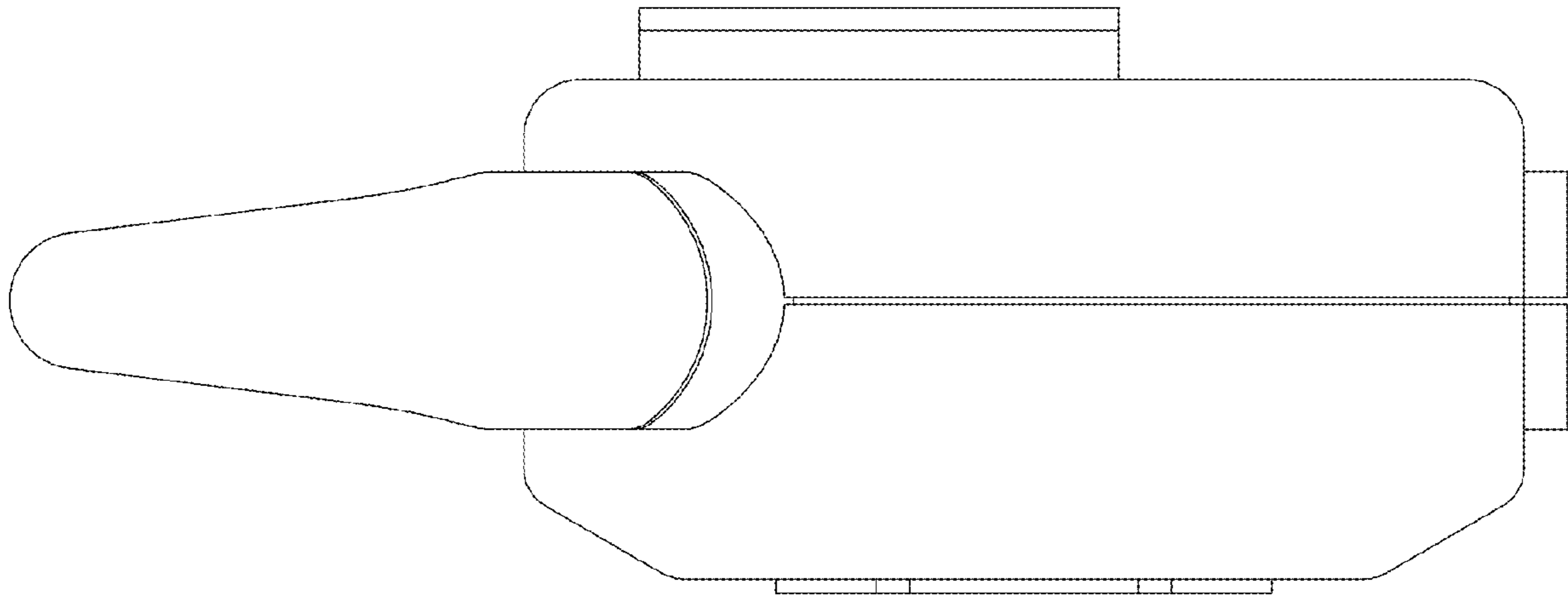


FIG. 6

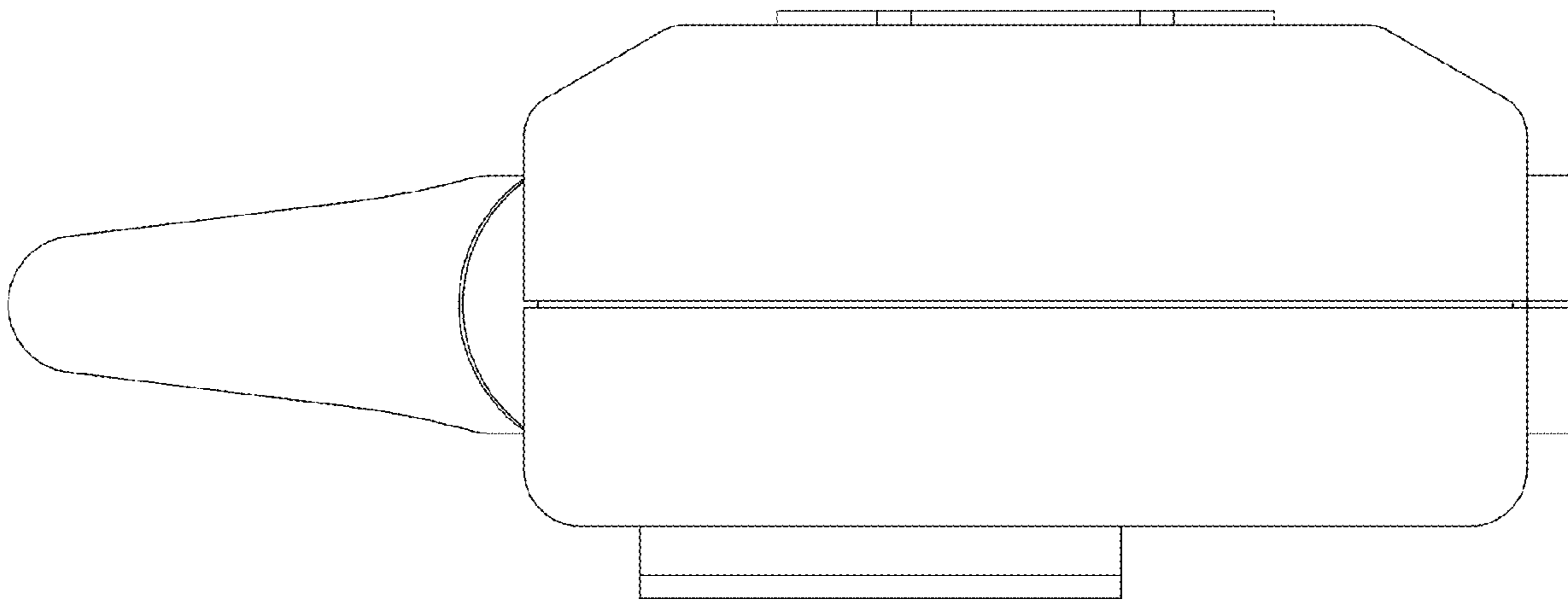


FIG. 7